

We have pleasure in presenting the Spare Parts Catalogue for 'Avenger DTS-i 200cc' Motorcycle. This catalogue has been specially designed to assist you in selecting the correct parts for procurement to maintain 100% availability.

The Bajaj spares are subjected to the stringent quality control standards to ensure longer life of the vehicle. It is therefore necessary that only the Genuine Bajaj Spares are used.

In a continual effort to improve Performance and Efficiency of the vehicles, Specifications, Diagrams, Illustrations and Part Numbers can change without notice. Consequently, the description in this Spare Parts Catalogue cannot therefore be final and binding on us.

The modifications / alterations which are carried out after the issue of this catalogue, will be conveyed to you through our Service Circulars. You are requested to make necessary corrections in the Parts Catalogue as per the circulars so as to keep your catalogue up-to-date. This will ensure the appropriate and speedy delivery of the Spare Parts as the order placed will bear the latest part numbers.

In case, if you need any technical assistance contact the concerned Regional Office or write to us on the following address :

**Bajaj Auto Limited  
Service Department**

Akurdi, Pune 411 035 India

Phone : 020-27406557

Fax : 020-27407385

E-mail : [service@bajajauto.co.in](mailto:service@bajajauto.co.in)

All information contained in this manual is based on the latest product information at the time of publication. Bajaj Auto Limited accepts no liability for any inaccuracies or omissions in this publication, although every possible care has been taken to make it as complete and accurate as possible. All procedures and specifications subject to change without prior notice. The right is reserved to make such changes at any time without prior notice and without incurring an obligation to make such changes to product manufactured previously. Contact your authorized Bajaj Dealer for the latest information on product improvements incorporated after this manual was issued.

**DOC. NO.: 71110579**

**REV. 00, SEP. 08**

- 1. How to Read the Catalogue :** Open the catalogue and from the pictorial index locate the group in which the part you want to find is present. Turn over to the concerned page number (as given by pictorial index). Now find out the figure of the part you wish to order. Write down the part number against that particular figure number from the text.

In case, if you have the part number and you need the other details, the part index can be used. The part index (at the end of the catalogue) will give you the figure and page number of the part you wish to order.

- 2. How to Order Spare Parts :** The part number and the description of the part required should be invariably mentioned in the order as per the catalogue text.

The latest part number as conveyed through our service circulars should only appear on the order. In case of ordering painted components, colour shade of the components should be mentioned.

The quantity shown against the part number is the quantity per vehicle for that group so that particular quantity should be multiplied by the number of sets required.

- 3. Part Number System:** We have used 8 digit system for part numbers. The model or hardware item is indicated by first two digits or alphanumeric, the next two or four digits indicate main group and the last four or two digits indicate serial number in main group or serial number or subgroup of fastener respectively. Thus the part numbers will be indicated by 2-2-4 or 2-4-2 digit system. Understanding this system will enable you to identify the spare parts easily.

- 4. Abbreviations :** The following abbreviations are used in this catalogue.

assly.	Assembly	V	Volts
N.I.	Not illustrated	W	Watts
C'case	Crankcase	accl.	Accelerator
Cyl	Cylinder	Comp.	Complete
o/s.	Over size	Fr	Front
Std.	Standard	L	Length
A/t.	Alternate	Rr	Rear
R.H.	Right hand	Hex.	Hexagonal
L.H.	Left hand	AR	As required

No.	Description	Page No.
1	Cover Cylinder Head	1
2	Cylinder Head	2
3	Valve	3
4	Camshaft / Tensioner	4
5	Cylinder & Piston	5
6	Crankshaft	6
7	Balancer & Balancer Idler Gear	7
8	Transmission	8 & 9
9	Change Drum/ Shift Fork	10
10	Gear Change Mechanism	11
11	Engine Assly & Crankcase RH	12
12	Crankcase LH	13&14
13	Cover RH	15&16
14	Cover Magneto	17
15	Clutch	18&19
16	Oil Pump	20
17	Oil Cooler Assly.	21
18	Carburettor	22
19	Silencer Assly	23
20	Air Cleaner Comp.	24
21	Magneto/C.D.I./H.T.Coil	25&26
22	Starter Assly	27
23	Frame	28
24	Frame Fitting	29&30
25	Swing Arm	31
26	Rear Shock Absorber	32
27	Foot Rest	33
28	Mudguard Front & Rear	34
29	Stand	35
30	Tyre/ Tube & Wheel Rim	36
31	Front Hub	37
32	Rear Hub	38&39
33	Brake Pedal	40
34	Front Master Cylinder	41&42
35	Front Brake	43

No.	Description	Page No.
36	Handle Bar	44&45
37	Front Fork	46&47
38	Fuel Tank	48&49
39	Seat / Grip Frame Rear	
	Cover Grip Frame	50
40	Speedometer	51
41	Control Cables	52
42	Side Cover / Chain Cover	53
43	Guards	54
44	Head Light	55
45	Tail Light / Reflector Reflex	56
46	Indicator Light	57
47	Electrical Equipments	58
48	Ignition Switch	59
49	Tool Kit	60
50	Painted Parts	61&62
	Kits List	63
	Amendment Sheet (Part Added)	64
	Amendment Sheet (Part Deleted)	65
	Part Index	66

PLATE NO. : 1 COVER CYLINDER HEAD	PAGE NO.: 1
--------------------------------------	----------------

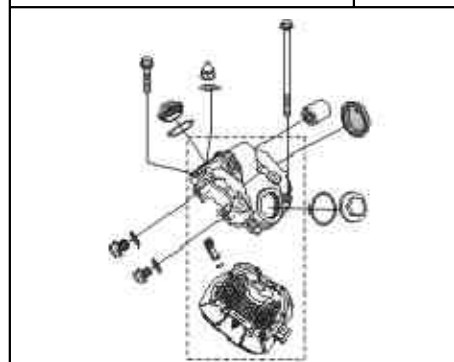


PLATE NO. : 3 VALVE	PAGE NO.: 3
------------------------	----------------

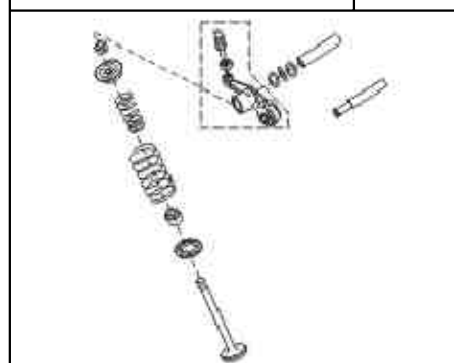


PLATE NO. : 5 CYLINDER AND PISTON	PAGE NO.: 5
--------------------------------------	----------------

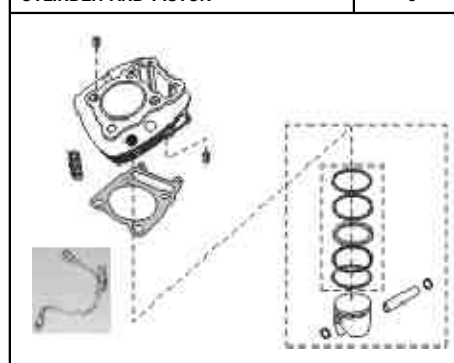


PLATE NO. : 2 CYLINDER HEAD	PAGE NO.: 2
--------------------------------	----------------

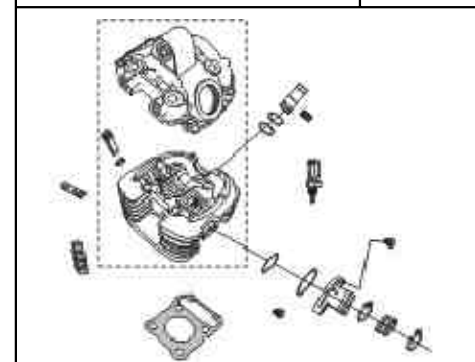


PLATE NO. : 4 CAMSHAFT / TENSIONER	PAGE NO.: 4
---------------------------------------	----------------

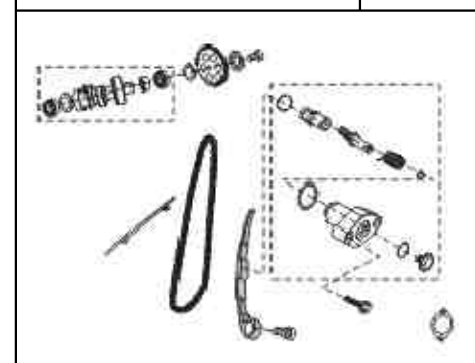


PLATE NO. : 6 CRANK SHAFT	PAGE NO.: 6
------------------------------	----------------

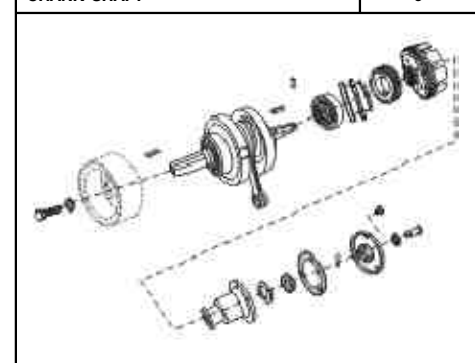


PLATE NO. : 7 BALANCER & BALANCER IDLER GEAR	PAGE NO.: 7
---	----------------

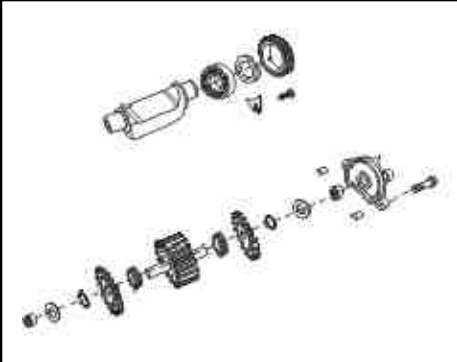


PLATE NO. : 9 CHANGE DRUM / SHIFT FORK	PAGE NO.: 10
---	-----------------

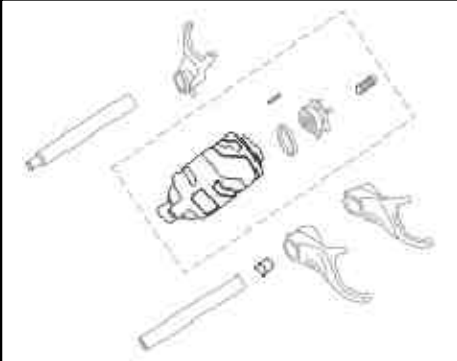


PLATE NO. : 11 ENGINE ASSLY. & CRANKCASE RH	PAGE NO.: 12
--	-----------------

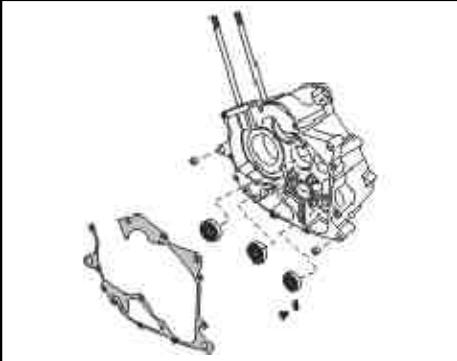


PLATE NO. : 8 TRANSMISSION	PAGE NO.: 8 & 9
-------------------------------	--------------------



PLATE NO. : 10 GEAR CHANGE MECHANISM	PAGE NO.: 11
---	-----------------

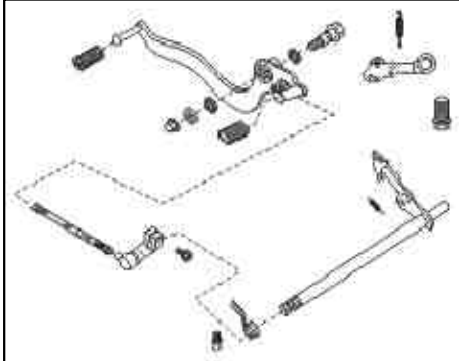


PLATE NO. : 12 CRANKCASE LH	PAGE NO.: 13 & 14
--------------------------------	----------------------

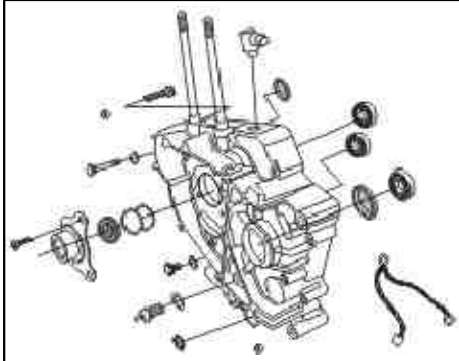


PLATE NO. : 13 COVER RH	PAGE NO.: 15 & 16
----------------------------	----------------------

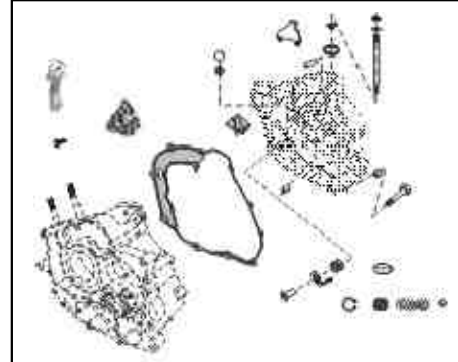


PLATE NO. : 15 CLUTCH	PAGE NO.: 18 & 19
--------------------------	----------------------

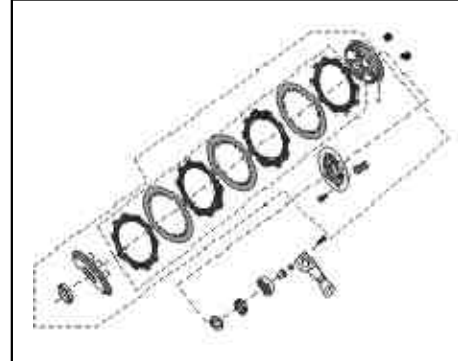


PLATE NO. : 17 OIL COOLER ASSEMBLY	PAGE NO.: 21
---------------------------------------	-----------------

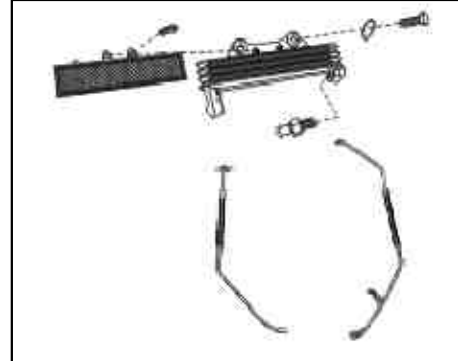


PLATE NO. : 14 COVER MAGNETO	PAGE NO.: 17
---------------------------------	-----------------

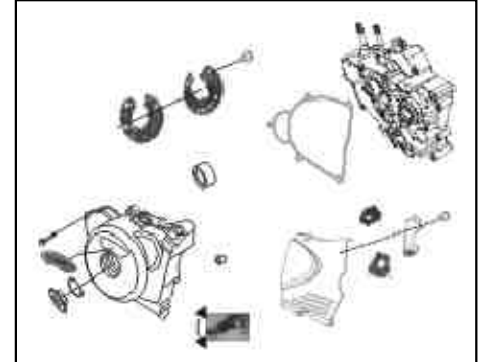
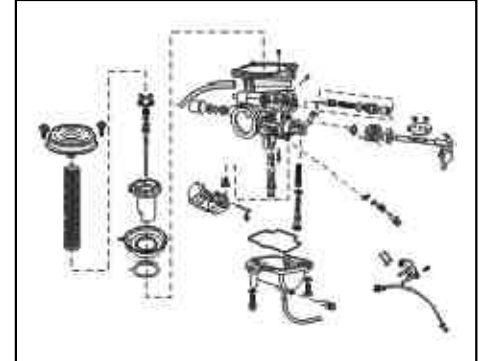


PLATE NO. : 16 OIL PUMP	PAGE NO.: 20
----------------------------	-----------------



PLATE NO. : 18 CARBURETTOR	PAGE NO.: 22
-------------------------------	-----------------



Pictorial Index

PLATE NO. : 19 SILENCER ASSLY.	PAGE NO.: 23
-----------------------------------	-----------------

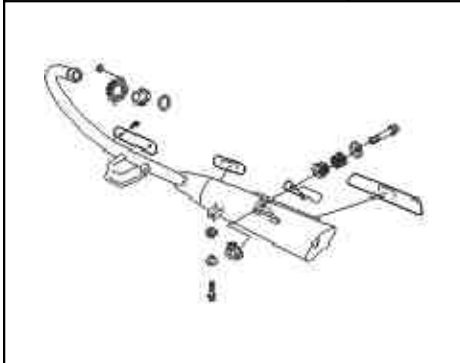


PLATE NO. : 21 MAGNETO / C.D.I. / H.T. COIL	PAGE NO.: 26 & 27
--	----------------------

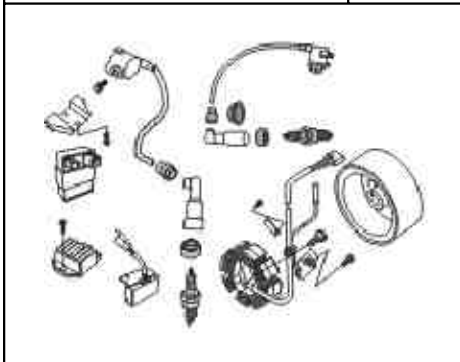


PLATE NO. : 23 FRAME	PAGE NO.: 29
-------------------------	-----------------



PLATE NO. : 20 AIR CLEANER COMP	PAGE NO.: 24 & 25
------------------------------------	----------------------

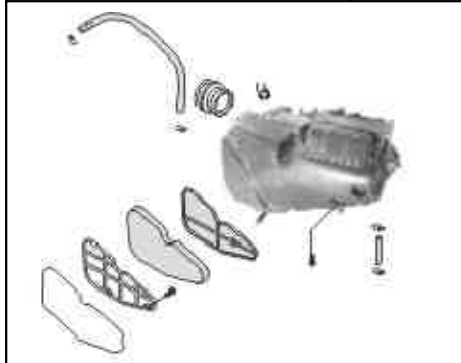


PLATE NO. : 22 STARTER MOTOR	PAGE NO.: 28
---------------------------------	-----------------

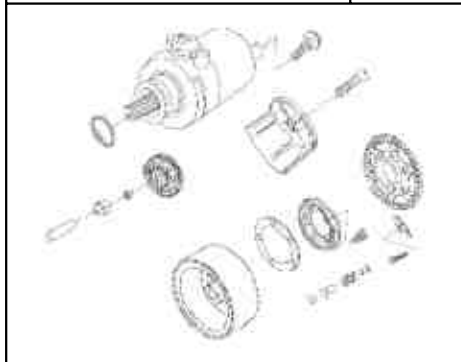
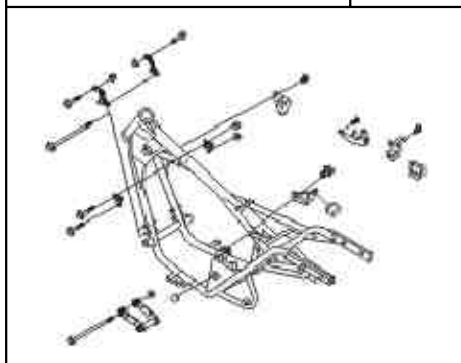


PLATE NO. : 24 FRAME FITTING	PAGE NO.: 30 & 31
---------------------------------	----------------------



Pictorial Index

PLATE NO. : 25 SWING ARM	PAGE NO.: 32
-----------------------------	-----------------

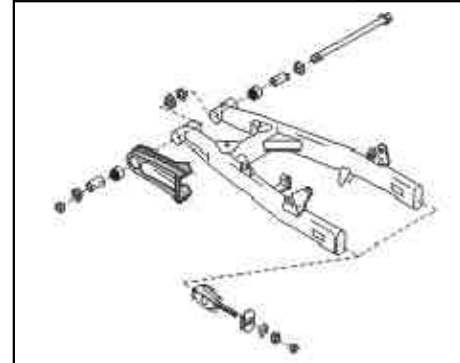


PLATE NO. : 27 FOOT REST	PAGE NO.: 34 & 35
-----------------------------	----------------------

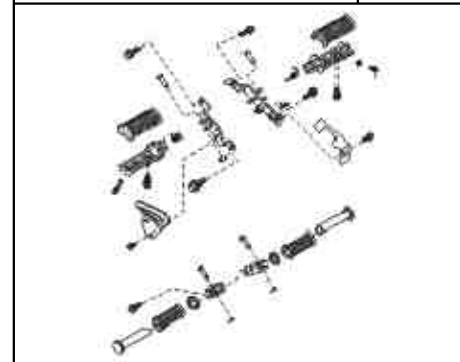


PLATE NO. : 29 STAND	PAGE NO.: 37
-------------------------	-----------------

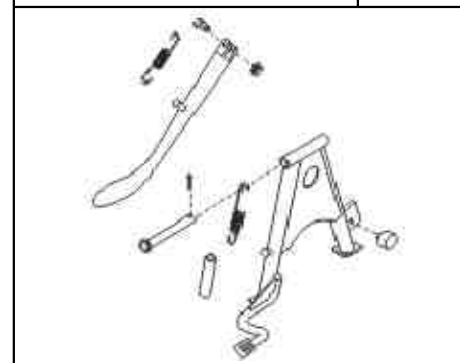


PLATE NO. : 26 REAR SHOCK ABSORBER	PAGE NO.: 33
---------------------------------------	-----------------

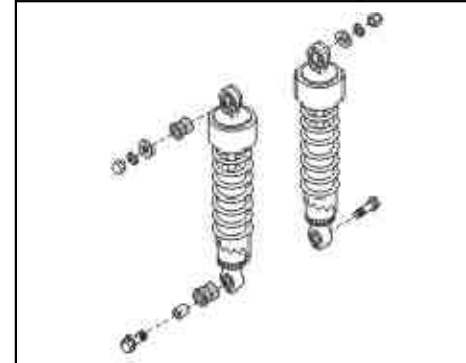


PLATE NO. : 28 MUDGUARD FRONT & REAR	PAGE NO.: 36
---	-----------------

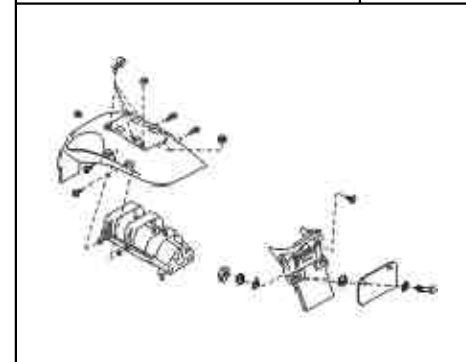


PLATE NO. : 30 TYRE, TUBE & WHEEL RIM	PAGE NO.: 38
--	-----------------



PLATE NO. : 31 FRONT HUB	PAGE NO.: 39
-----------------------------	-----------------

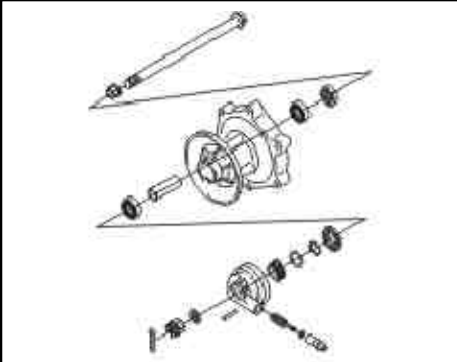


PLATE NO. : 33 BRAKE PEDAL	PAGE NO.: 42
-------------------------------	-----------------



PLATE NO. : 35 FRONT BRAKE	PAGE NO.: 45
-------------------------------	-----------------

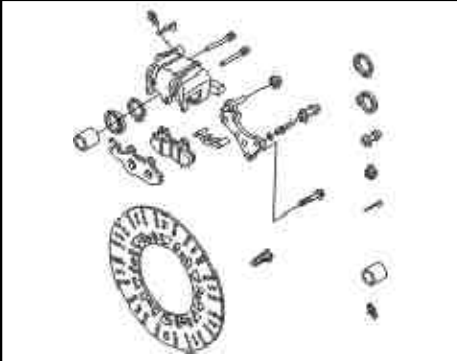


PLATE NO. : 32 REAR HUB	PAGE NO.: 40 & 41
----------------------------	----------------------

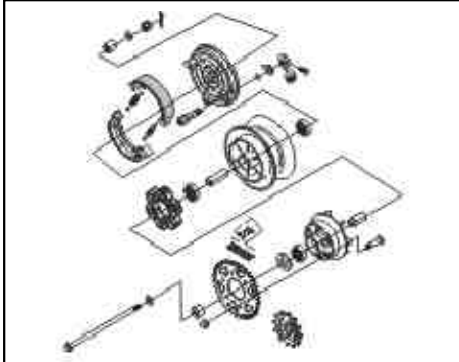


PLATE NO. : 34 FRONT MASTER CYLINDER	PAGE NO.: 43 & 44
---	----------------------

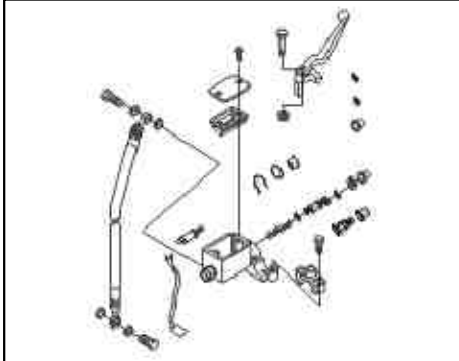


PLATE NO. : 36 HANDLE BAR	PAGE NO.: 46 & 47
------------------------------	----------------------

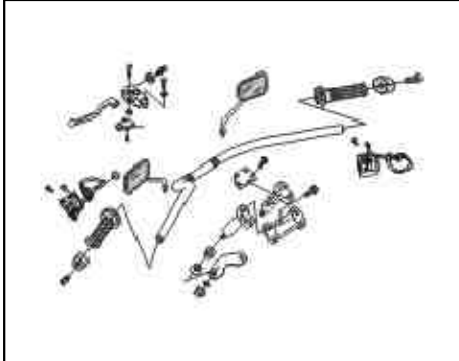


PLATE NO. : 37 FRONT FORK	PAGE NO.: 48 & 49
------------------------------	----------------------

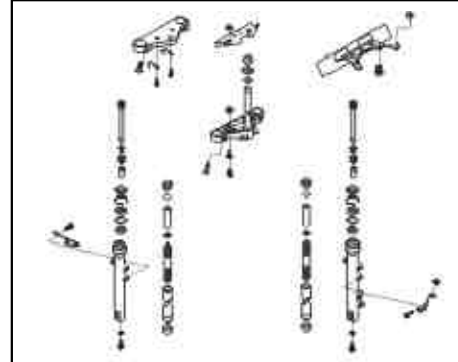


PLATE NO. : 39 SEAT/GRIP FRAME RR./COVER GRIP FRAME	PAGE NO.: 52
---	-----------------

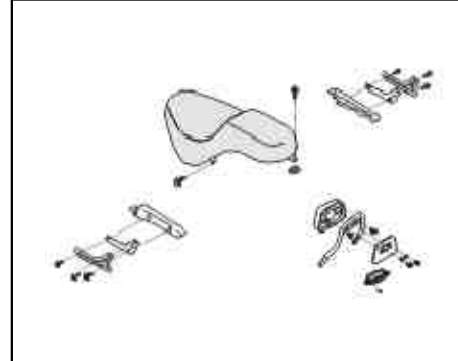


PLATE NO. : 41 CABLES	PAGE NO.: 54
--------------------------	-----------------

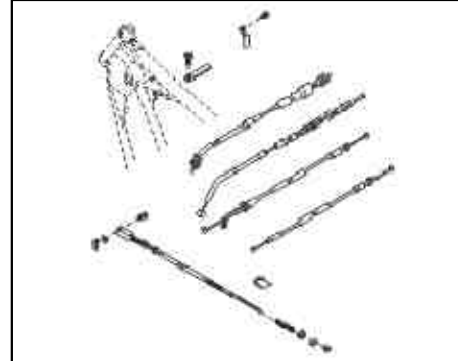


PLATE NO. : 38 FUEL TANK	PAGE NO.: 50 & 51
-----------------------------	----------------------

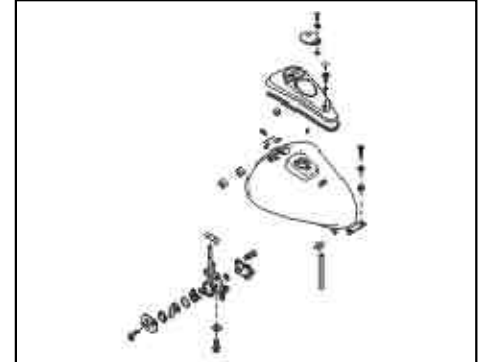


PLATE NO. : 40 SPEEDOMETER	PAGE NO.: 53
-------------------------------	-----------------

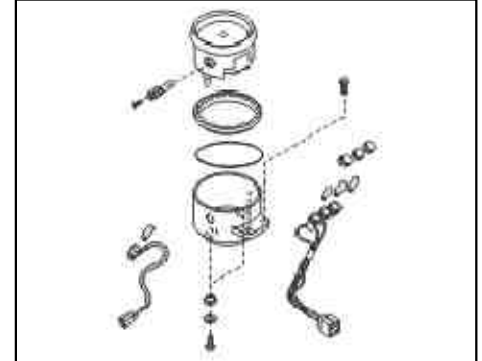
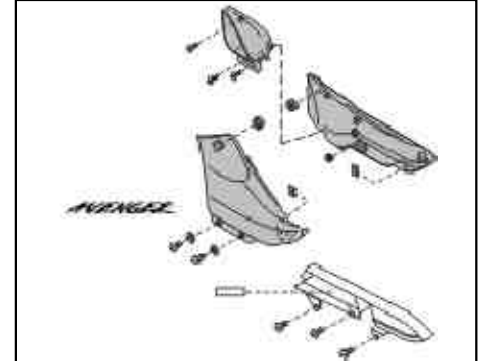


PLATE NO. : 42 SIDE COVERS / CHAIN COVER	PAGE NO.: 55
---	-----------------



**Pictorial Index**



PLATE NO. : 43 GUARDS	PAGE NO.: 56
--------------------------	-----------------

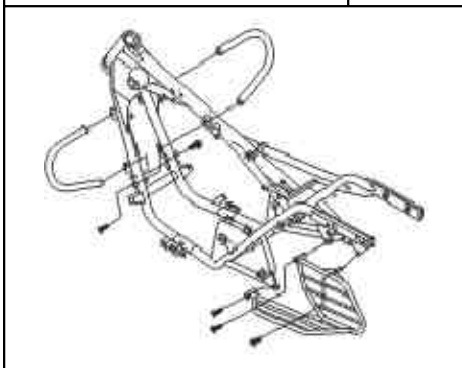


PLATE NO. : 45 TAIL LIGHT / REFLECTOR REFLEX	PAGE NO.: 58
---	-----------------

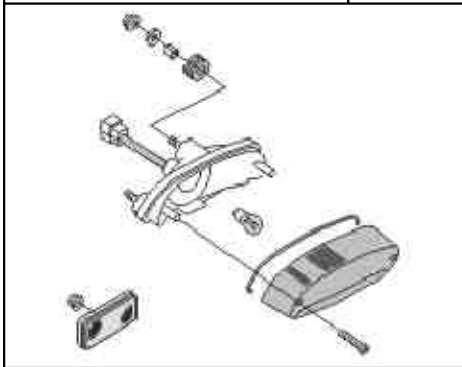


PLATE NO. : 47 ELECTRICAL EQUIPMENT	PAGE NO.: 60
--	-----------------

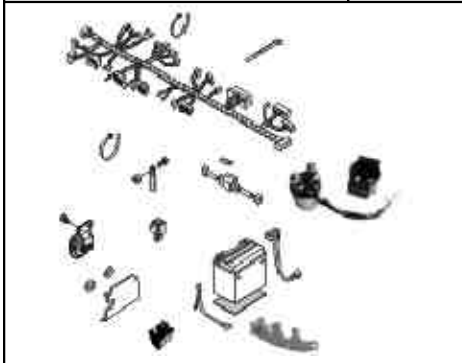


PLATE NO. : 44 HEAD LIGHT	PAGE NO.: 57
------------------------------	-----------------

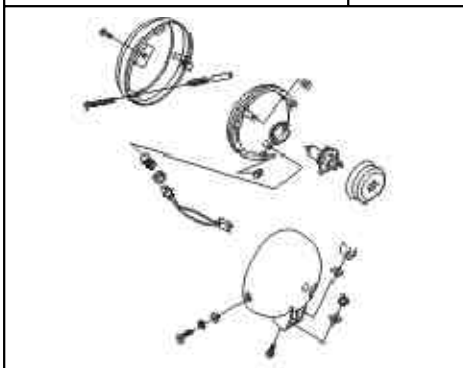


PLATE NO. : 46 INDICATOR LIGHT	PAGE NO.: 59
-----------------------------------	-----------------

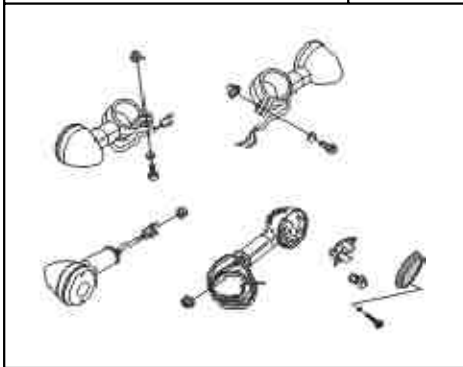
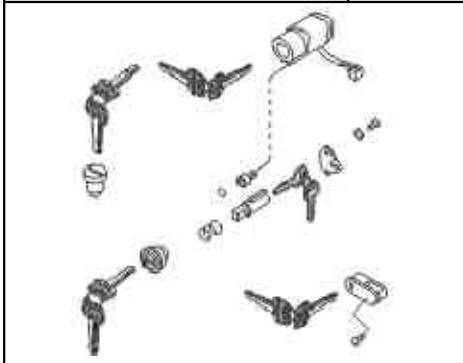


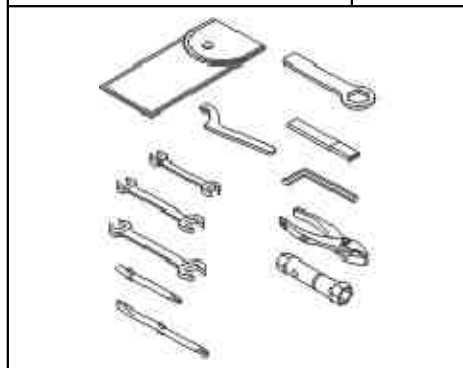
PLATE NO. : 48 IGNITION SWITCH	PAGE NO.: 61
-----------------------------------	-----------------



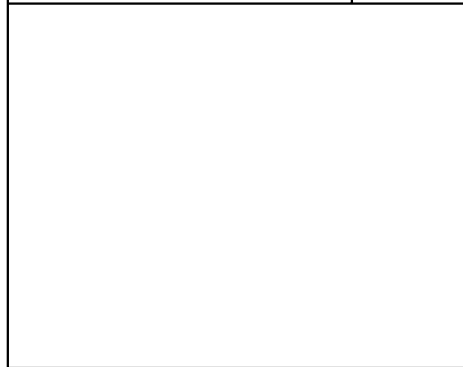
**Pictorial Index**



PLATE NO. : 49 TOOL KIT	PAGE NO.: 62
----------------------------	-----------------



--	--



--	--

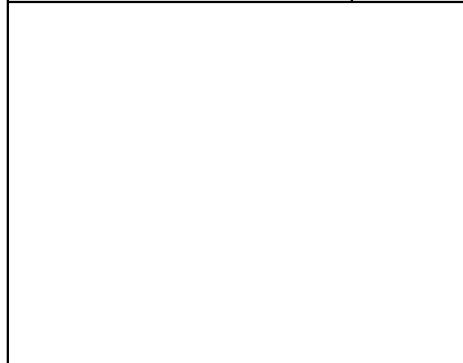
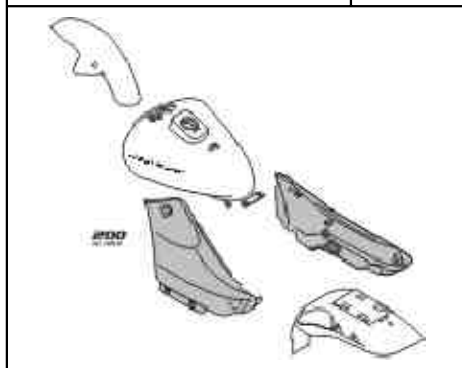
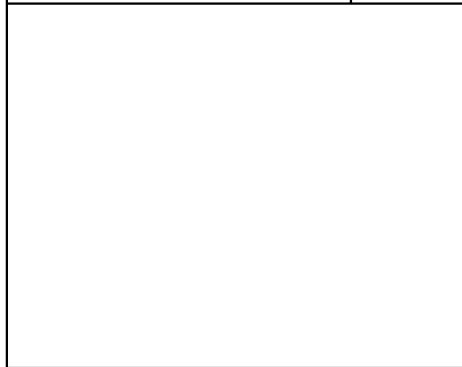


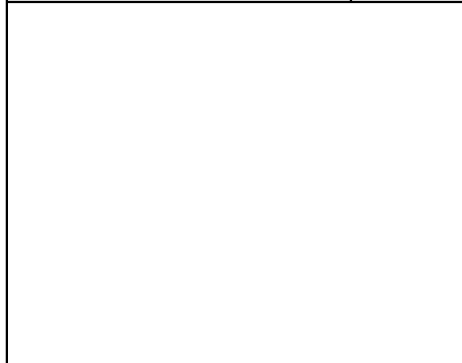
PLATE NO. : 49 PAINTED PARTS & DECALS	PAGE NO.: 63 & 64
--	----------------------

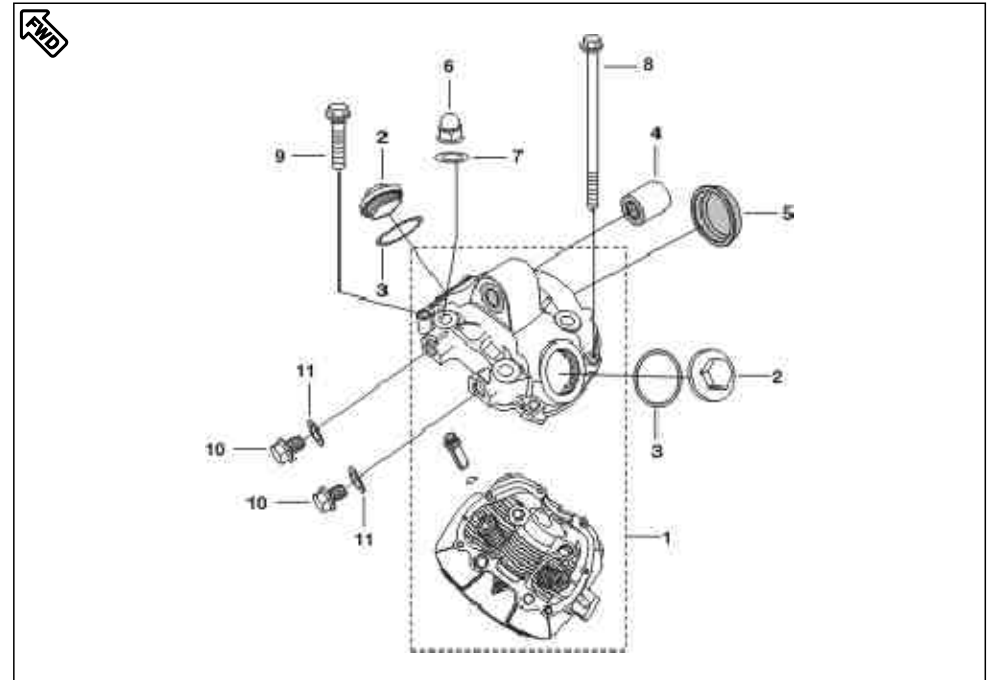


--	--



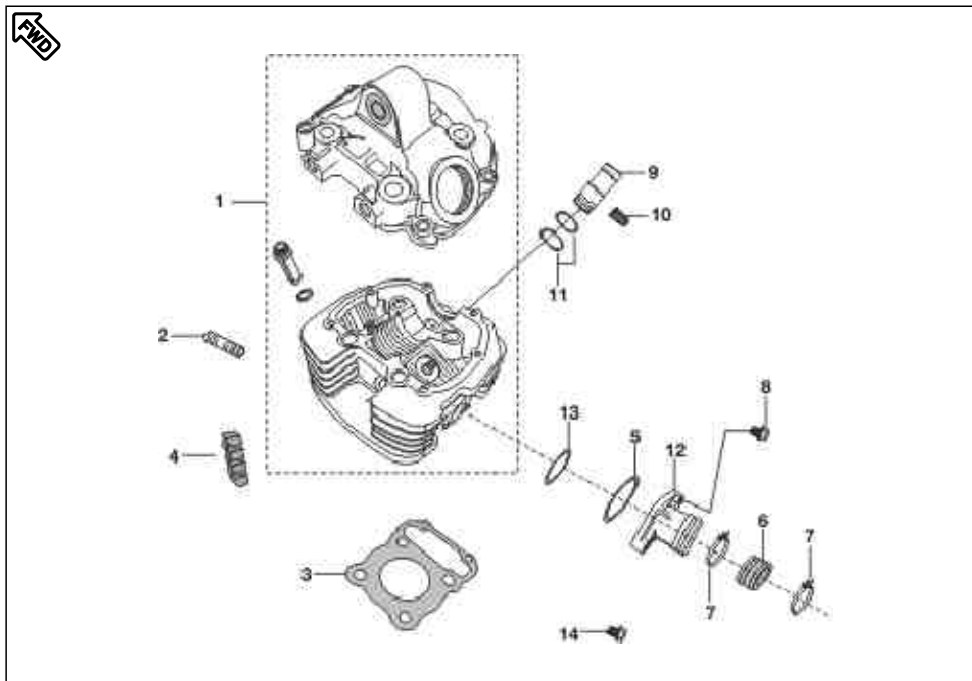
--	--



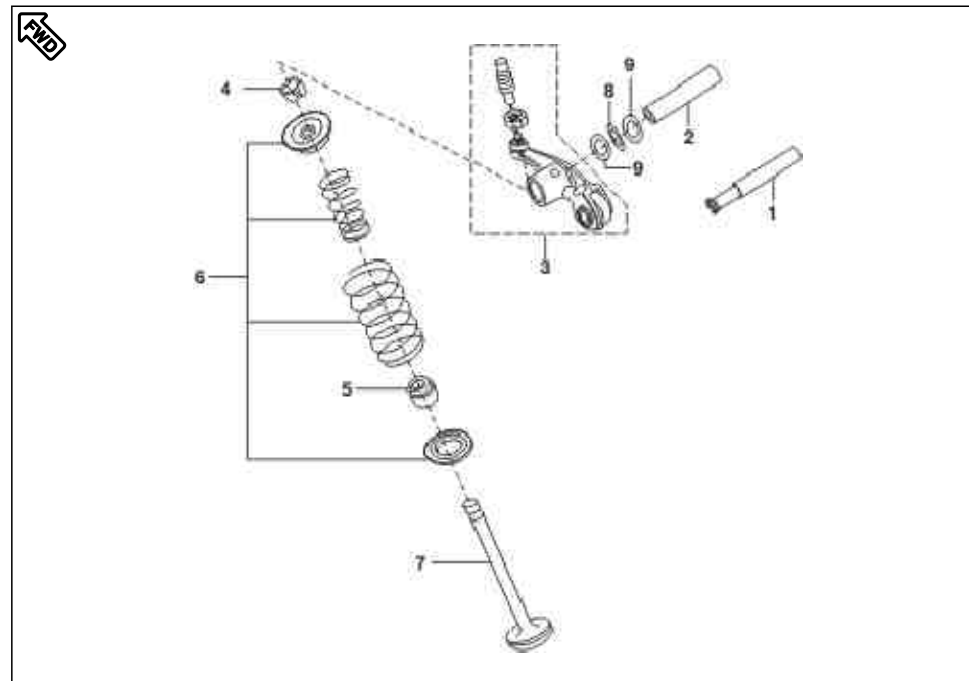


No.	Part No.	Description	Qty/ Veh.	Remarks
1	JM 1000 42	Head Cylinder with Cover	1	Refer Page No. 63
2	DJ 1012 17	Cover Tappet	2	
3	36 DS10 01	'O' Ring Kit for Cover Cyl. Head	1	
4	DS 1011 66	Silent Bush (V)	1	
5	DS 1010 96	Camshaft Cap	1	
6	39 2647 15	Domed Cap Nut	4	
7	DS 1010 84	Copper gasket	4	
8	39 2532 04	Hex. Bolt with Flange	2	
9	39 1075 04	Hex. Bolt with Flange	4	
10	DH 1012 72	Plug	2	
11	31 1011 06	Gasket	2	

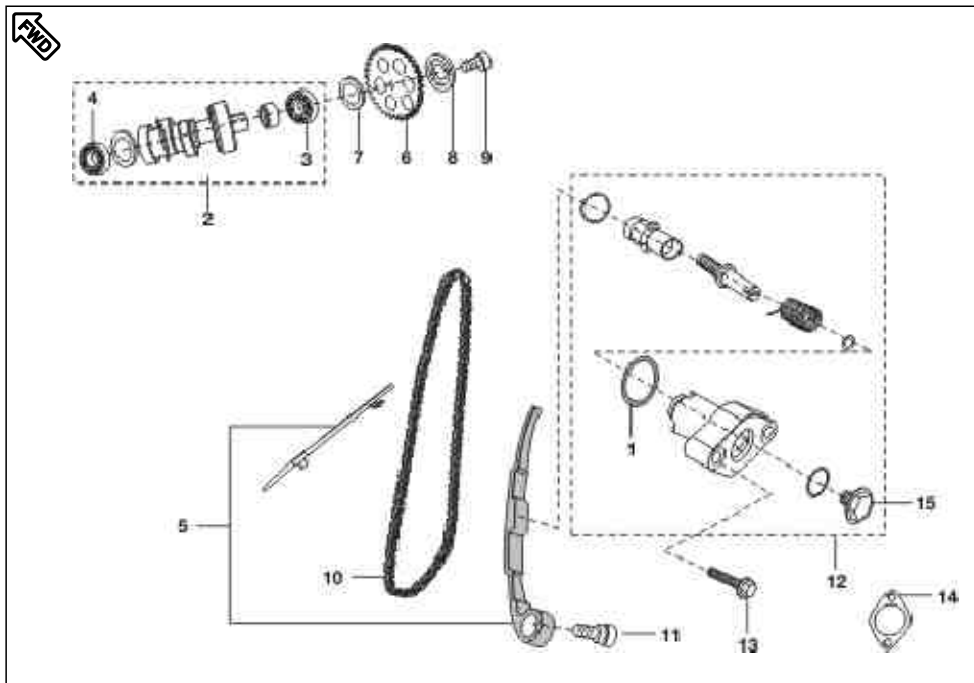




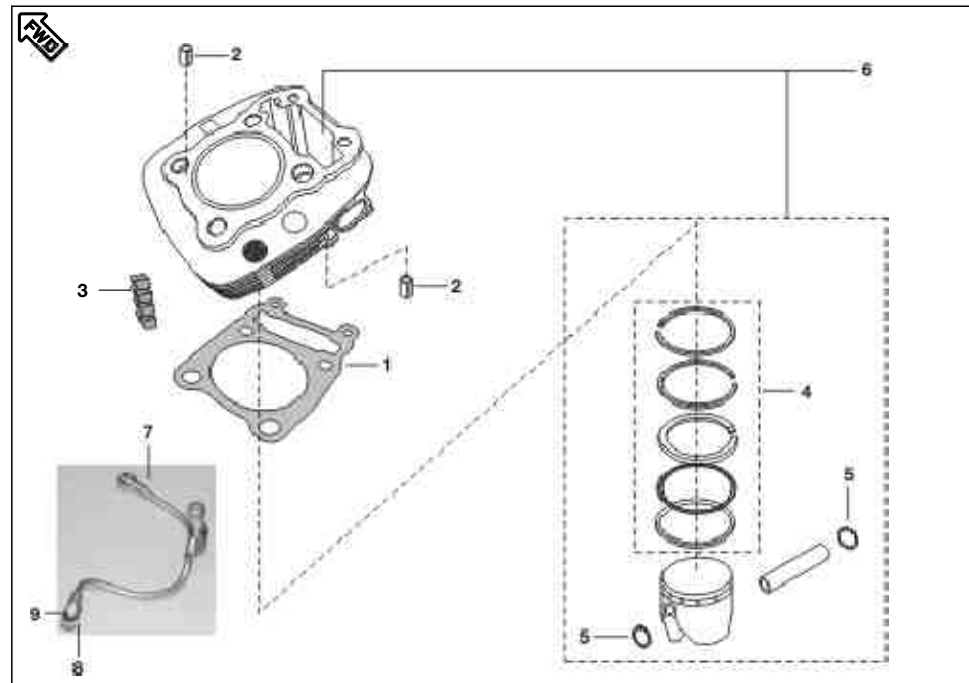
No.	Part No.	Description	Qty/ Veh.	Remarks
1	JM 1000 42	Head Cylinder with Cover	1	
2	39 1660 05	Stud (Exhaust)	2	
3	DK 1010 03	Gasket Cylinder Head	1	
4	DH 1015 08	Damper Cylinder Head	5	
5	39 1283 21	'O' Ring	1	
6	JC 1200 03	Carburettor Insulator	1	
7	DH 1210 38	Clamp for Insulator	2	
8	39 1674 04	Hex. Bolt / Flange	2	
9	DH 1110 12	Sleeve - Spark Plug	1	
10	39 2608 01	Grub Screw	1	For Sleeve Spark Plug
11	36 DS10 01	'O' Ring Kit for Cover Cyl. Head	1	Refer Page No. 63
12	JM 1000 06	Manifold	1	
13	59 2100 08	"O" ring insulator	1	
14	39 1674 04	Hex bolt with flange	2	Manifold mtg.



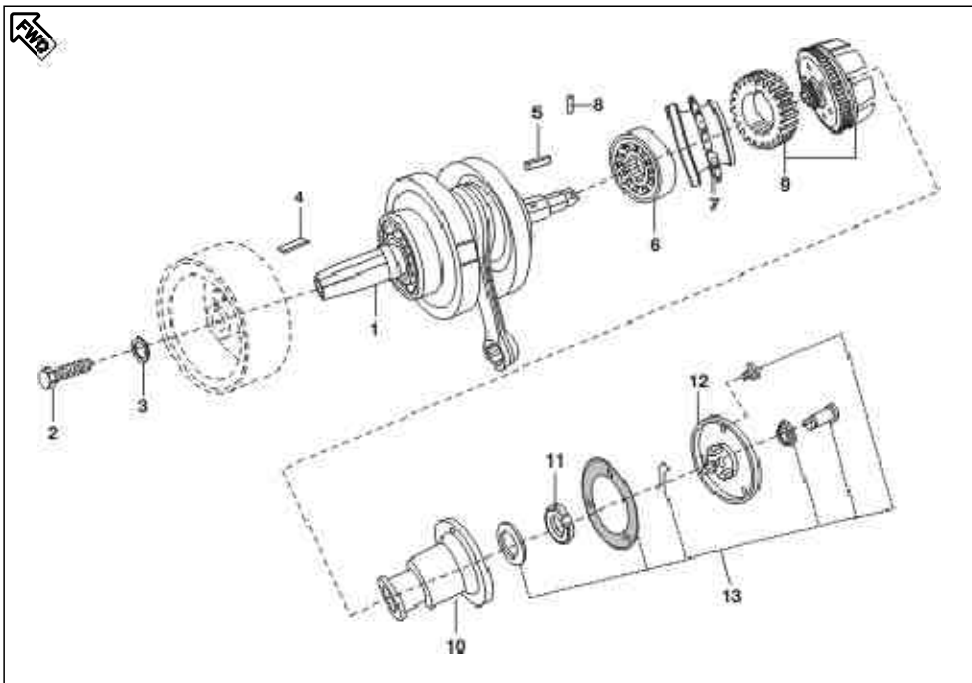
No.	Part No.	Description	Qty/ Veh.	Remarks
1	DS 1013 35	Rocker Arm Shaft - Intake	1	
2	DS 1013 36	Rocker Arm Shaft - Exhaust	1	
3	DS 1013 33	Rocker Arm with roller	2	
4	DG 1010 29	Collet	4	
5	39 2017 19	Seal valve stem	2	
6	DK 1013 26	Valve Repair Kit	1	Refer Page No. 63
7	DK 1013 27	Valve Kit	1	Refer Page No. 63
8	DS 1013 66	Wave washer	2	
9	59 1100 02	Plain washer	4	



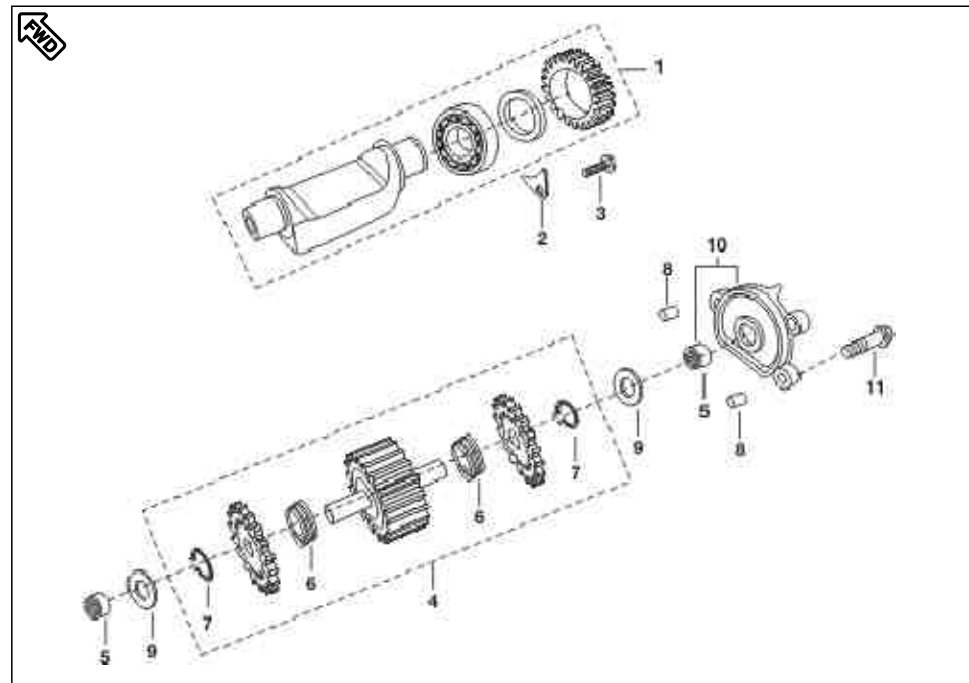
No.	Part No.	Description	Qty/ Veh.	Remarks
1	39 2669 21	Ring 'O'	1	Refer Page No. 63
2	JC 1010 22	Camshaft Assembly	1	
3	39 2542 20	Bearing cam RH side	1	
4	39 1880 20	Bearing cam LH side	1	
5	JC 1010 38	Guide chain Kit	1	
6	DS 1012 76	Sprocket cam Driven (32 T)	1	
7	DH 1014 12	Collar cam Sprocket	1	
8	DH 1010 48	Special camshaft washer	1	
9	59 0400 31	Hex. Soc. Head cap Bolt	1	
10	JC 1010 35	Cam Chain	1	
11	DH 1013 92	Cam chain Tensioner pivot Bolt	1	
12	DK 1010 25	Tensioner Assly	1	
13	39 1673 04	Hex Bolt / Flange	2	
14	CS 1011 28	Tensioner assly. gasket	1	
15	DD 1010 62	Bolt	1	



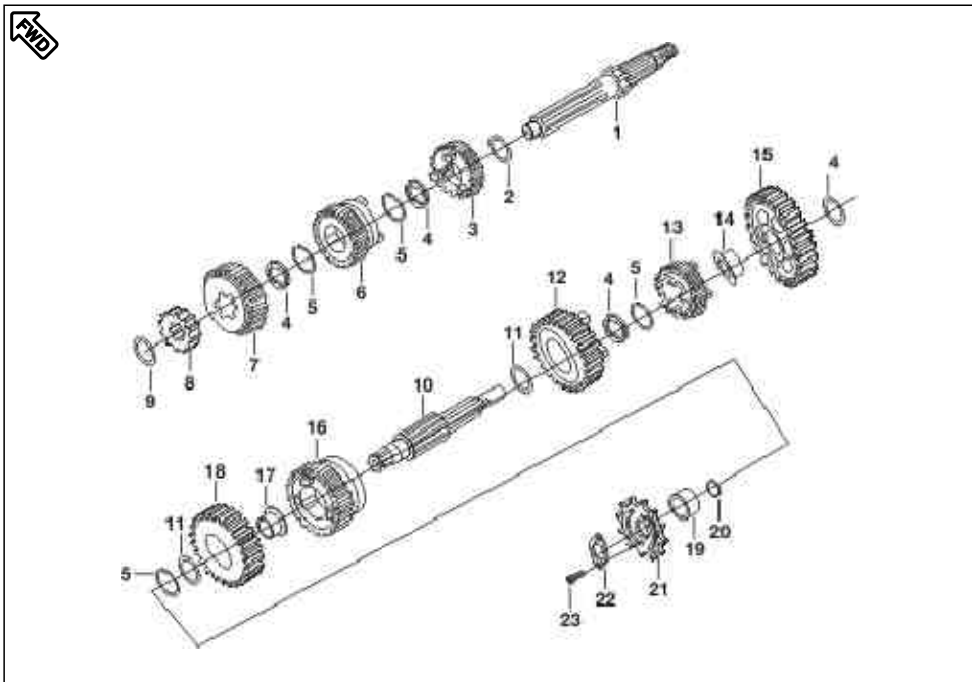
No.	Part No.	Description	Qty/ Veh.	Remarks
1	DK 1010 63	Gasket Cylinder	1	
2	39 2181 06	Pin dowel	4	
3	DH 1014 14	Damper	6	
4	DK 1013 28	Ring Set Piston	1	
5	39 2132 17	Ring Snap	2	
6	JM 1000 43	Cylinder Block / Piston Assly	1	
7	DK 1012 35	Banjo oil cooler pipe	1	
8	DK 1012 36	Bolt special	2	
9	DK 1012 37	Washer copper	4	



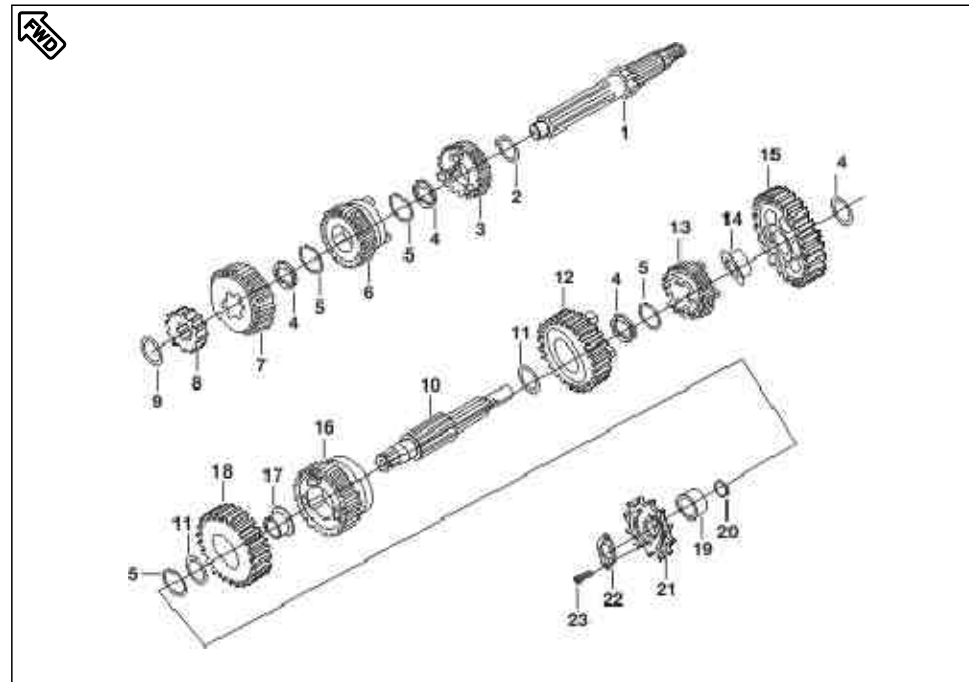
No.	Part No.	Description	Qty/ Veh.	Remarks
1	JC 1010 01	Crankshaft assly. comp.	1	
2	39 2183 04	Bolt	1	
3	39 2165 11	Plain washer	1	
4	31 1011 73	Key woodruff	1	
5	DS 1011 54	Parallel key	1	
6	39 1931 20	Bearing Ball	1	
7	DK 1012 48	Sprocket cam drive (16 T)	1	
8	39 2203 07	Parallel pin	1	
9	36 DK00 29	Set primary driver driven	1	Refer Page No. 63
10	DH 1010 64	Body centrifugal oil filter	1	
11	DH 1011 95	Nut primary drive	1	
12	DH 1010 65	Cover centrifugal oil filter	1	
13	36 DK00 07	Kit centrifugal oil filter	1	Refer Page No. 63



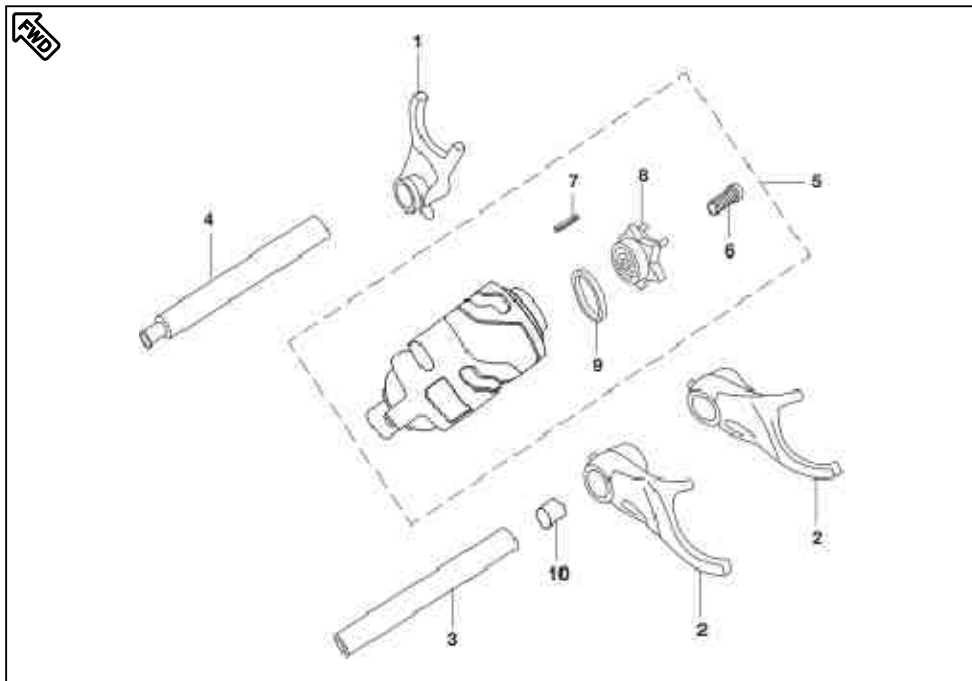
No.	Part No.	Description	Qty/ Veh.	Remarks
1	DJ 1010 22	Body Balancer Assly.	1	
2	DH 1010 72	Bearing stopper	1	
3	39 1672 04	Bolt	1	
4	DH 1011 34	Assly. Balancer Idler Gear comp.	1	
5	39 2152 20	Needle roller bearing	2	
6	DJ 1011 33	Spring torsion Balancer Idler	2	
7	39 2557 17	Circlip ext.	2	
8	39 1686 06	Dowel Pin	2	
9	39 1620 11	Spring steel washer	2	
10	52 DH01 77	Balancer Idler Holder	1	
11	39 1674 04	Hex bolt with flange	3	



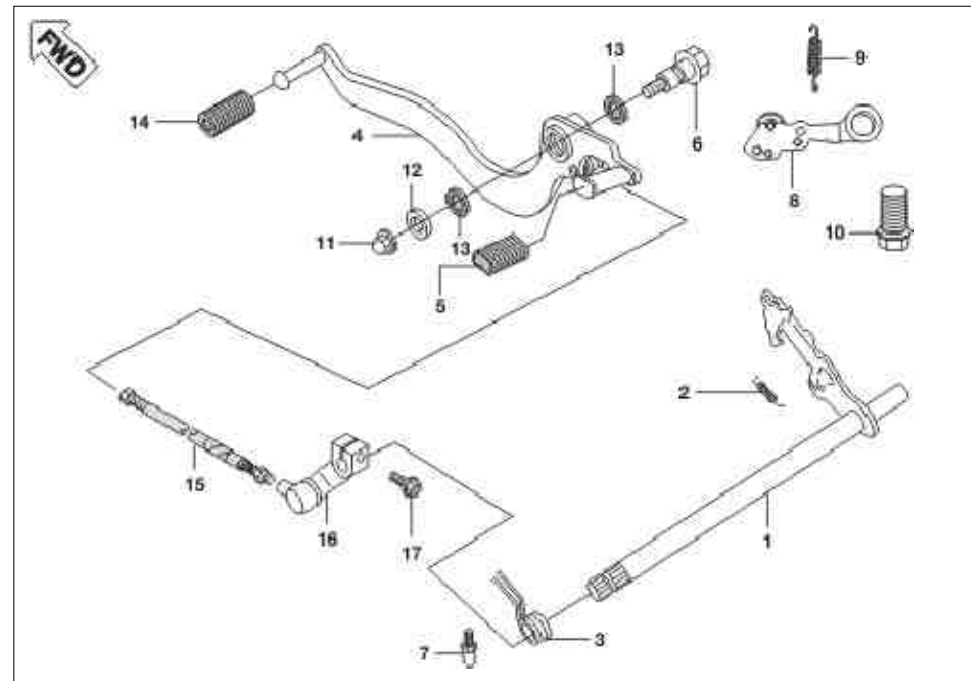
No.	Part No.	Description	Qty/ Veh.	Remarks
1	DK 1011 25	Shaft Input Transmission	1	
2	39 2158 11	Washer plain	1	
3	DK 1011 03	Gear 4th Drive	1	
4	DH 1010 79	Washer Spline	3	
5	DH 1012 35	External Circlip	4	
6	DK 1011 02	Gear 3rd Drive	1	
7	DK 1011 04	Gear 5th drive	1	
8	DH 1010 84	Gear 2nd drive	1	
9	39 2160 11	Plain washer	1	
10	DK 1011 45	Shaft output Transmission	1	
11	DH 1013 36	Washer Thrust	2	
12	DK 1011 05	Gear 3rd Driven	1	
13	DK 1011 06	Gear 4th Driven	1	
14	DH 1011 11	Bush 1st driven	1	
15	DK 1011 18	Gear 1st driven	1	



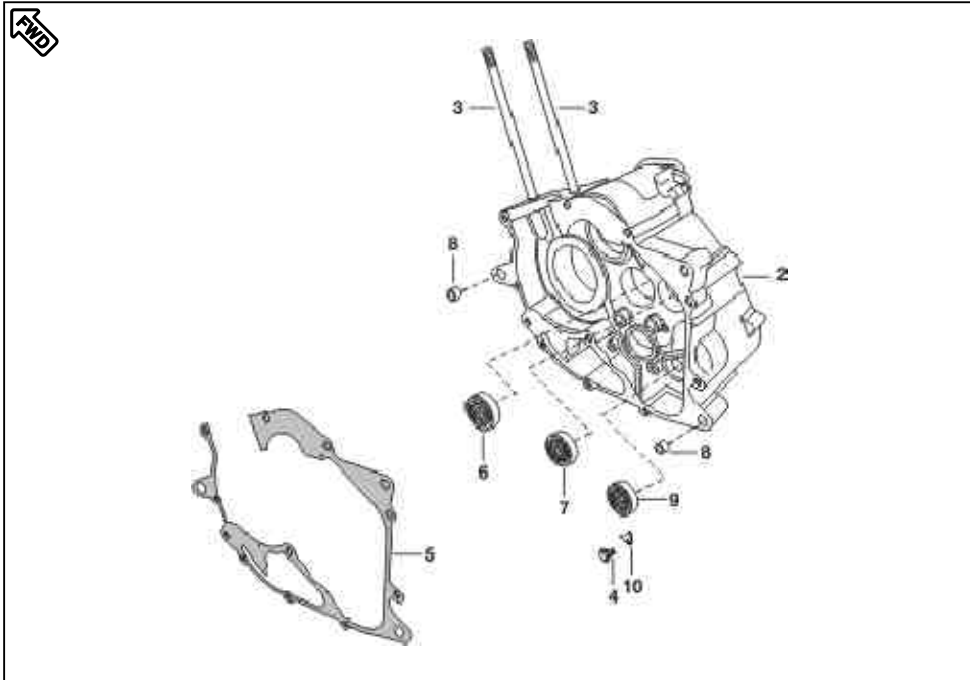
No.	Part No.	Description	Qty/ Veh.	Remarks
16	DK 1011 07	Gear 5th Driven	1	
17	DH 1013 19	Bush 2nd driven	1	
18	DH 1013 33	Gear 2nd Driven	1	
19	DK 1012 45	Collar Sprocket	1	
20	30 1010 61	'O' Ring Sprocket Coller	1	
21	DV 1010 48	Sprocket Drive	1	
22	DJ 1010 63	Plate Drive Sprocket	1	
23	39 1062 04	Bolt flange	2	



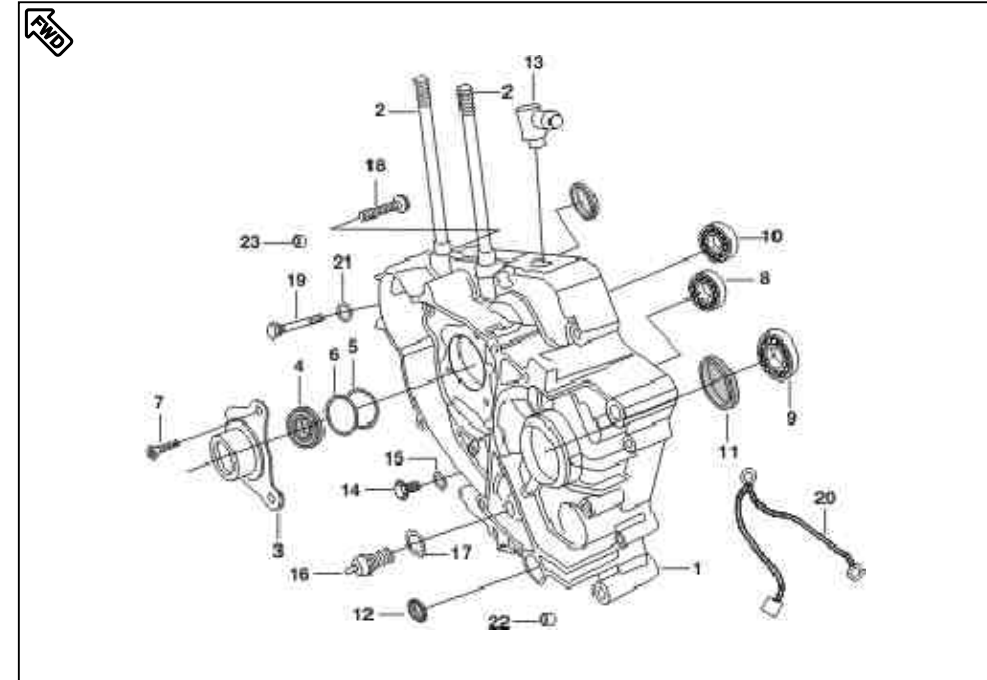
No.	Part No.	Description	Qty/ Veh.	Remarks
1	DK 1011 59	Fork Gear Shift Input	1	
2	DK 1011 60	Fork Gear Shift output	2	
3	DH 1011 46	Shaft Gear Shift Fork	1	
4	DH 1014 93	Shaft Gear Shift Fork	1	
5	DK 1011 57	Drum comp. Gear Shift	1	
6	39 2437 04	Bolt Socket	1	
7	39 2606 07	Parallel pin	1	
8	DK 1013 61	Guide Gear Shifter	1	
9	DH 1014 96	Spacer	1	
10	DK 1011 35	Bush Fork Gear Shift	3	



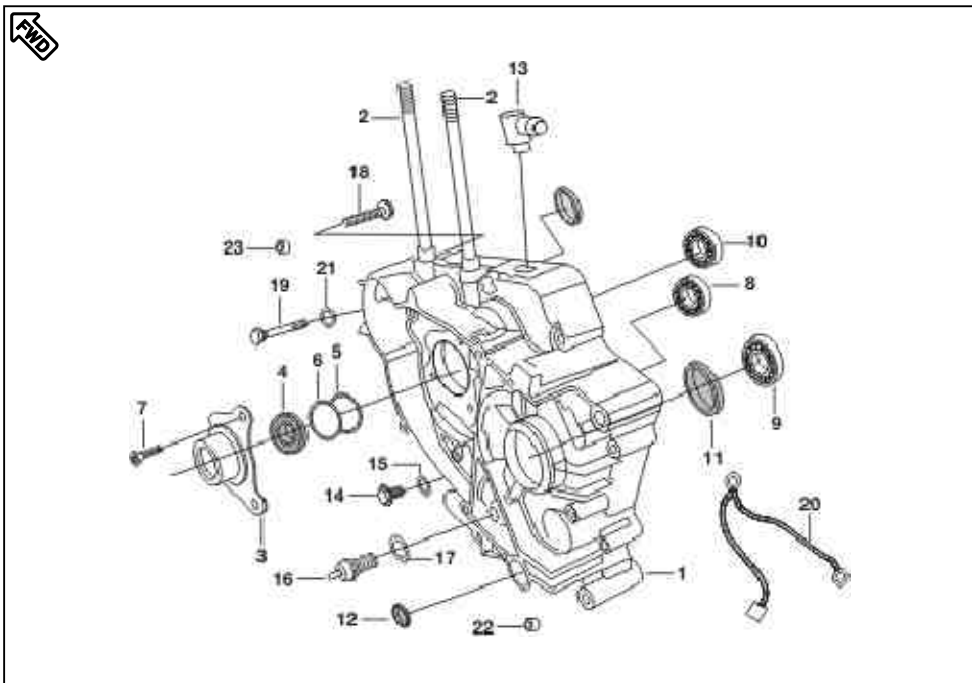
No.	Part No.	Description	Qty/ Veh.	Remarks
1	DV 1010 65	Lever comp. Gear Shifter	1	
2	DH 1011 43	Spring Slider arm reset	1	
3	DV 1010 44	Spring Gear Shifter return	1	
4	52 JM00 20	Change Lever Assly.	1	
5	DG 1013 39	Damper change pedal(Rear)	1	
6	DG 1011 87	Bolt	1	
7	DH 1010 13	Bolt Gear Shift drum Stopper	1	
8	DH 1015 03	Stopper gear shifter drum	1	
9	DV 1010 45	Spring gear shifter drum stopper	1	
10	DH 1012 25	Bolt shift change	1	
11	39 2228 15	Domed cap Nut	1	
12	39 2400 11	Washer	1	
13	39 1998 19	Oil Seal	2	
14	DG 1011 88	Damper Change Pedal(Front)	1	
15	DV 1010 34	Rod assly. Tie	1	
16	52 DV00 55	Lever Assly. Change	1	
17	39 2354 04	Hex. Bolt / Flange	1	



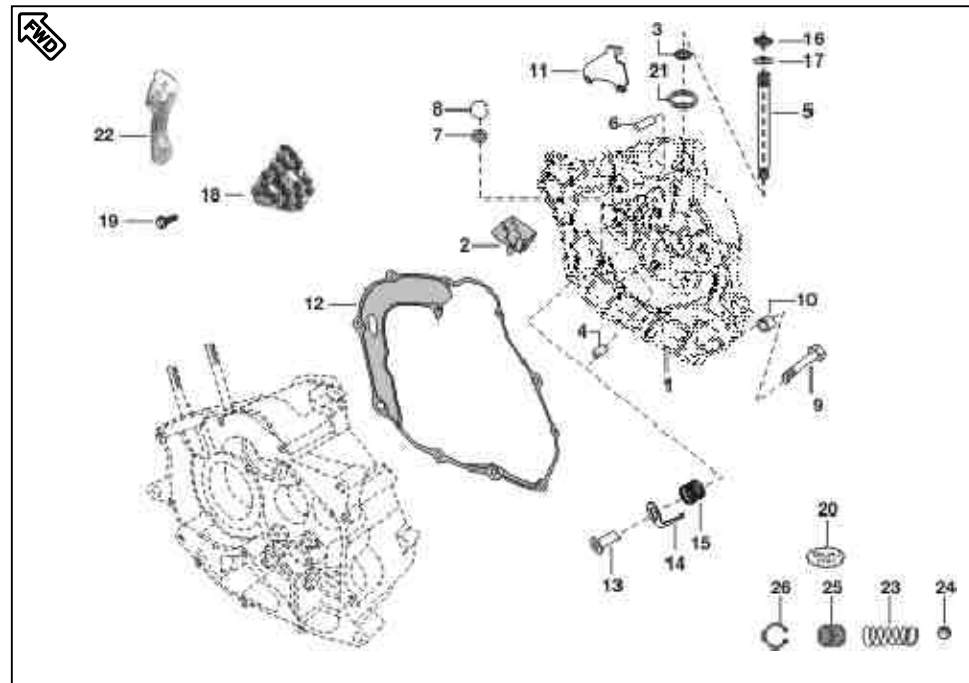
No.	Part No.	Description	Qty/ Veh.	Remarks
1	JM 1000 01	Engine Assly. with starter motor	1	N I
2	DK 1010 57	Crankcase RH	1	
3	59 0500 08	Stud	2	
4	DH 1013 83	Bolt Flanged	1	
5	DH 1010 06	Gasket Crankcase	1	
6	39 2583 20	Bearing Ball (For Input shaft)	1	
7	39 2601 20	Bearing Ball (For Output shaft)	1	
8	39 2180 06	Dowel Pin	2	
9	59 2000 27	NRB	1	
10	DH 1014 87	Plate Stopper	1	



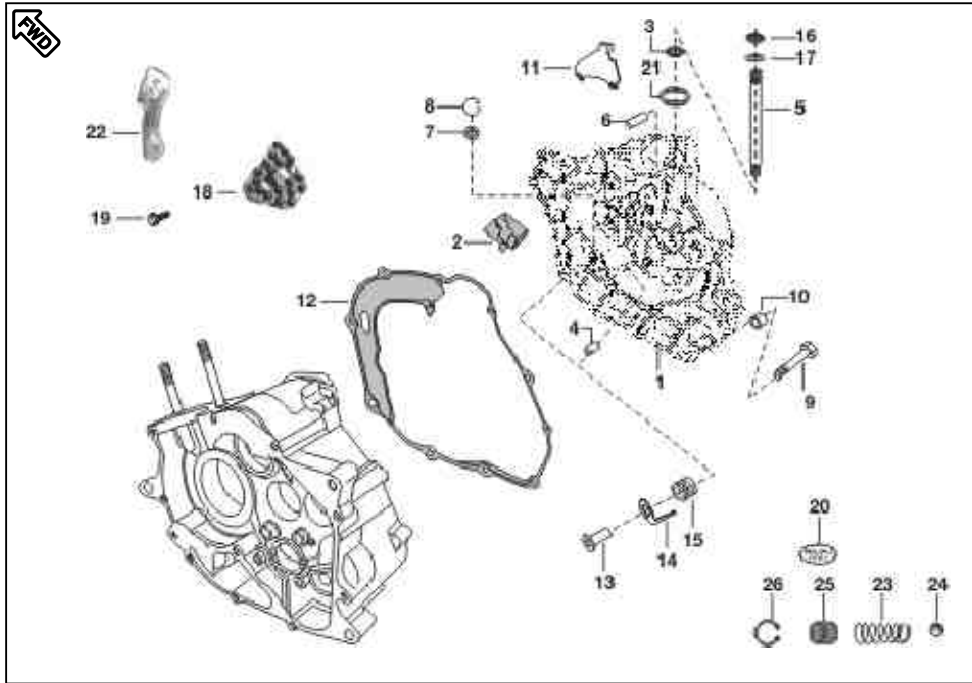
No.	Part No.	Description	Qty/ Veh.	Remarks
1	JM 1000 12	Crankcase LH	1	
2	59 0500 08	Stud	2	
3	DK 1010 94	Guide starter assly	1	
4	39 2188 19	Oil Seal	1	
5	59 2100 06	O' Ring	1	
6	DK 1010 97	Damper	1	
7	39 0752 01	C' Sunk Head Screw	3	
8	39 2603 20	Bearing Ball (For Input shaft)	1	
9	59 2000 06	Bearing Ball (For Output shaft)	1	
10	39 2185 20	Balancer LH Bearing	1	
11	30 1010 14	Oil Seal (For Output shaft)	1	
12	39 2190 19	Oil Seal (For Shift lever)	1	
13	DH 1012 03	Breather pipe	1	
14	DH 1016 61	Plug (Drain Bolt)	1	
15	31 1011 06	Gasket (For Drain Bolt)	1	



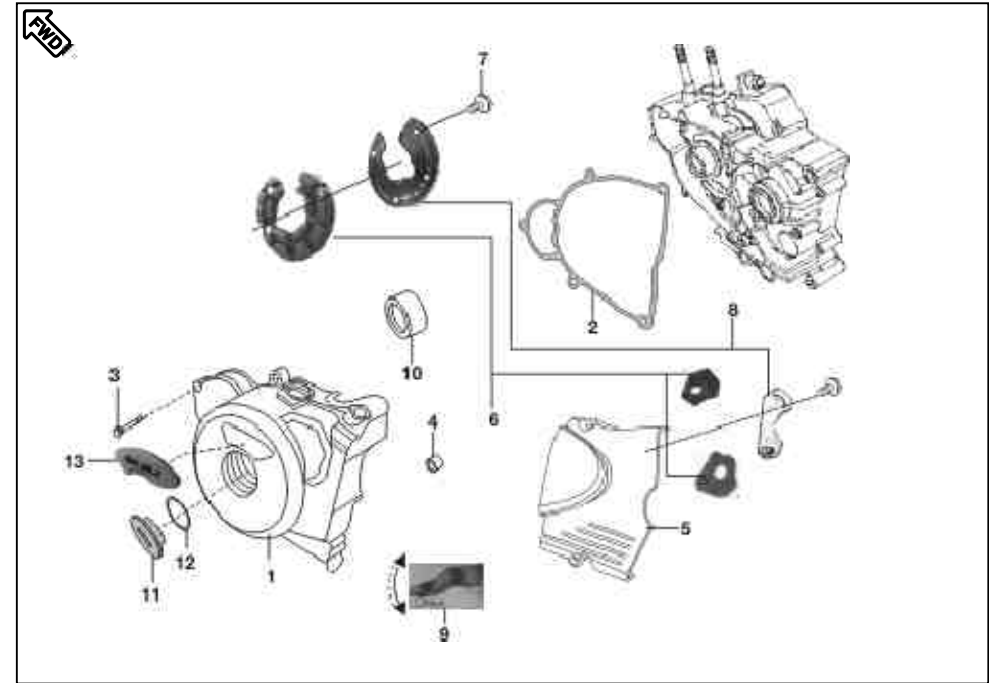
No.	Part No.	Description	Qty/ Veh.	Remarks
16	31 2010 81	Switch comp.(Neutral)	1	
17	DH 1017 84	Gasket Neutral Switch	1	
18	39 1677 04	Bolt	8	
19	39 2305 04	Bolt	1	
20	DV 2010 06	Cable assly. (Battery to Earth)	1	
21	39 2448 11	Plain Washer	1	
22	39 2180 06	Hallow dowel pin	2	
23	39 2181 06	Hallow dowel pin	2	



No.	Part No.	Description	Qty/ Veh.	Remarks
1	DK 1010 76	Cover comp RH	1	
2	DH 1011 97	Grommet Breather	1	
3	39 1041 19	Oil Seal	1	
4	DH 1011 41	Rack	1	
5	DH 1011 42	Shaft clutch release	1	
6	DK 1012 51	Parallel pin	1	
7	DG 1014 18	Gauge	1	
8	DS 1012 15	Wire circlip	1	
9	DS 1013 53	Bolt	10	
10	39 0999 06	Pin Dowel	2	
11	DK 1012 52	Bracket Clutch Cable	1	
12	DH 1011 54	Gasket cover RH	1	
13	DH 1210 15	Plunger Oil	1	
14	DH 1210 11	Plate Plunger Oil	1	
15	DH 1210 12	Spring Joint 'A'	1	

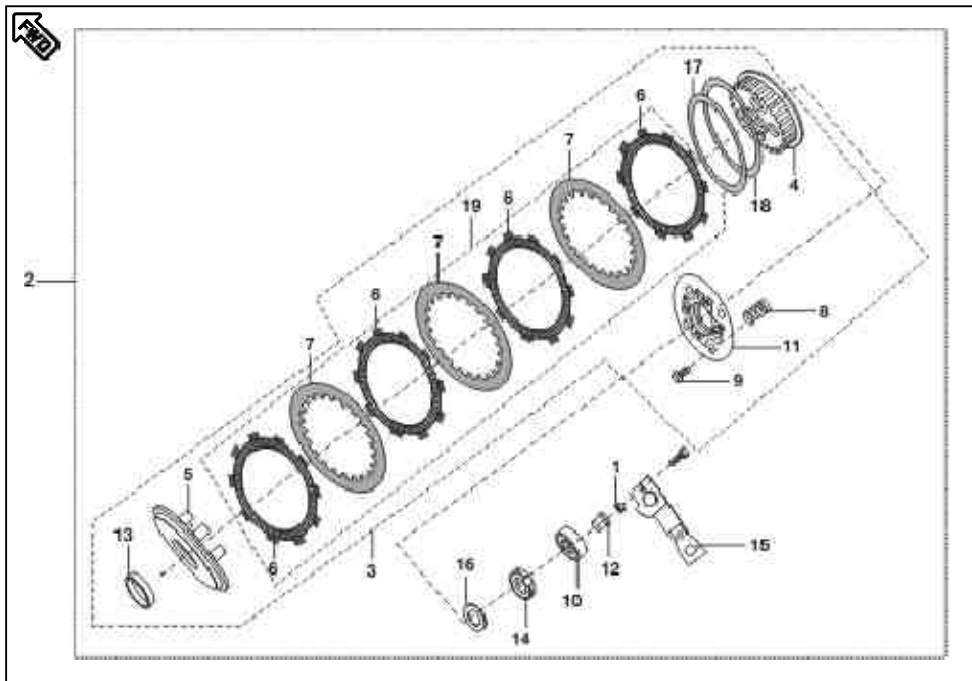


No.	Part No.	Description	Qty/ Veh.	Remarks
16	DH 1015 44	Spring torsion clutch lever	1	
17	39 2443 11	Washer	1	
18	DH 1015 10	Damper	1	
19	DH 1013 88	Flanged Bolt	7	
20	JC 1010 40	'Bajaj' Decal	1	Fitted on Cover comp. RH
21	39 1990 20	NRB	2	
22	DH 1014 82	Plate	1	
23	DK 1011 22	Spring relief valve	1	
24	30 1012 36	Ball steel	1	
25	DK 1011 23	Bold relief valve	1	
26	39 2547 17	Intrigal circlip	1	

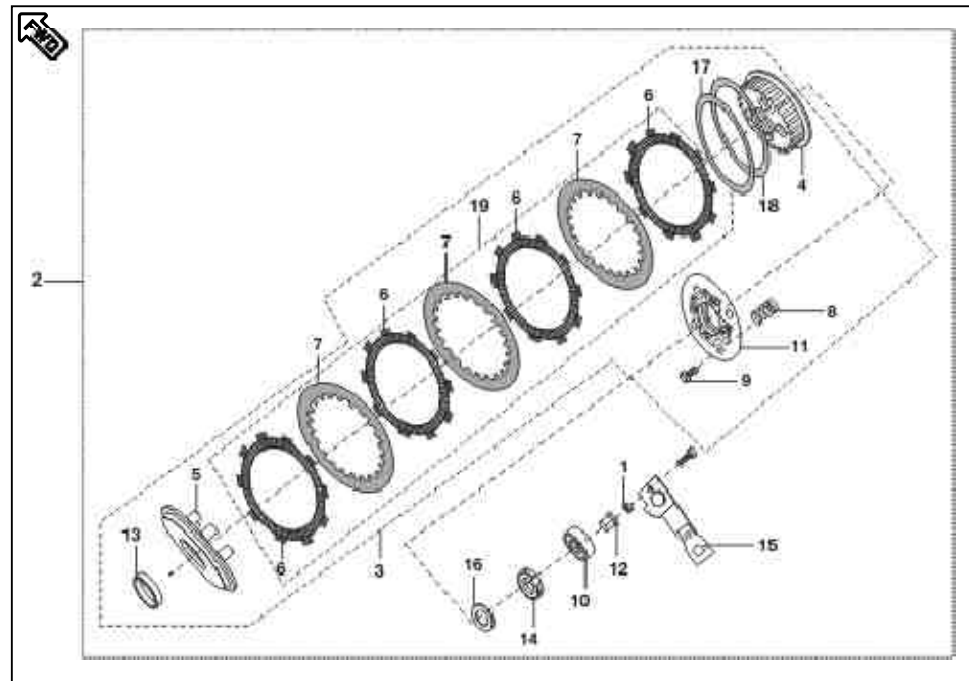


No.	Part No.	Description	Qty/ Veh.	Remarks
1	JM 1000 38	Cover Magneto	1	
2	DV 1010 42	Gasket Magneto cover	1	
3	39 2183 04	Bolt	7	
4	39 0999 06	Pin Dowel	2	
5	JM 1000 39	Cover LH RR	1	
6	36 JM00 01	Set Damper	1	Refer Page No. 63
7	DH 1013 88	Flanged Bolt	4	
8	36 JM00 02	Set of Plate	1	Refer Page No. 63
9	DJ 1610 12	Gear Shift Label	1	
10	AP 1010 43	NR bearing	1	
11	DH 1011 57	Cap crank center	1	
12	39 2452 21	O ring	1	
13	DH 1013 23	Decal cover magneto	1	

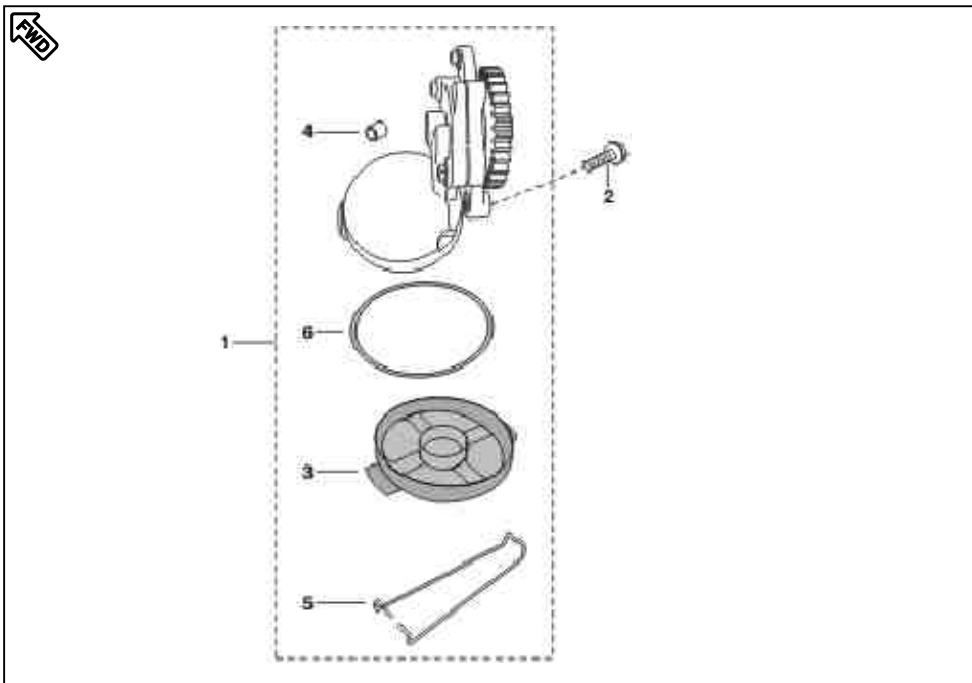




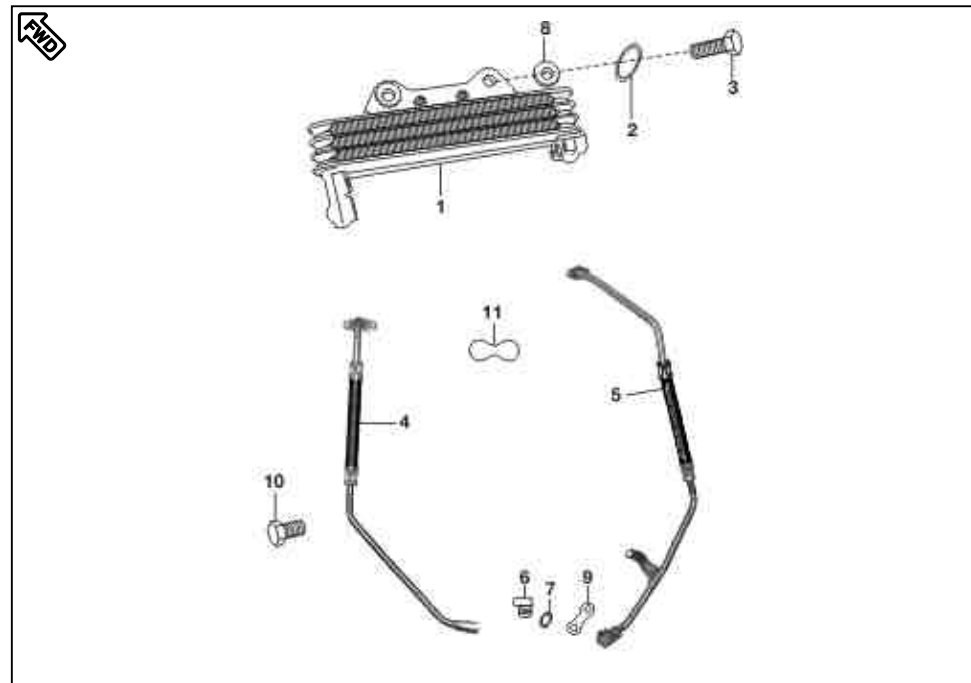
No.	Part No.	Description	Qty/ Veh.	Remarks
1	DH 1012 75	Special Nut	1	
2	DK 1010 73	Clutch assembly comp.	1	
3	DK 1010 75	Clutch Plate Assly	1	
4	DK 1010 01	Clutch Center	1	
5	DK 1011 63	Plate Clutch pressure	1	
6	DK 1011 49	Disc Clutch friction	4	
	DK 1011 50	Disc Clutch friction (B type)	1	
	DK 1012 55	Disc Clutch friction (C type)	1	
7	DK 1011 51	Plate Clutch	5	
8	DK 1011 52	Spring Clutch Capacity	4	
9	DK 1011 54	Bolt	4	
10	39 1880 20	Bearing Clutch lifter thrust	1	



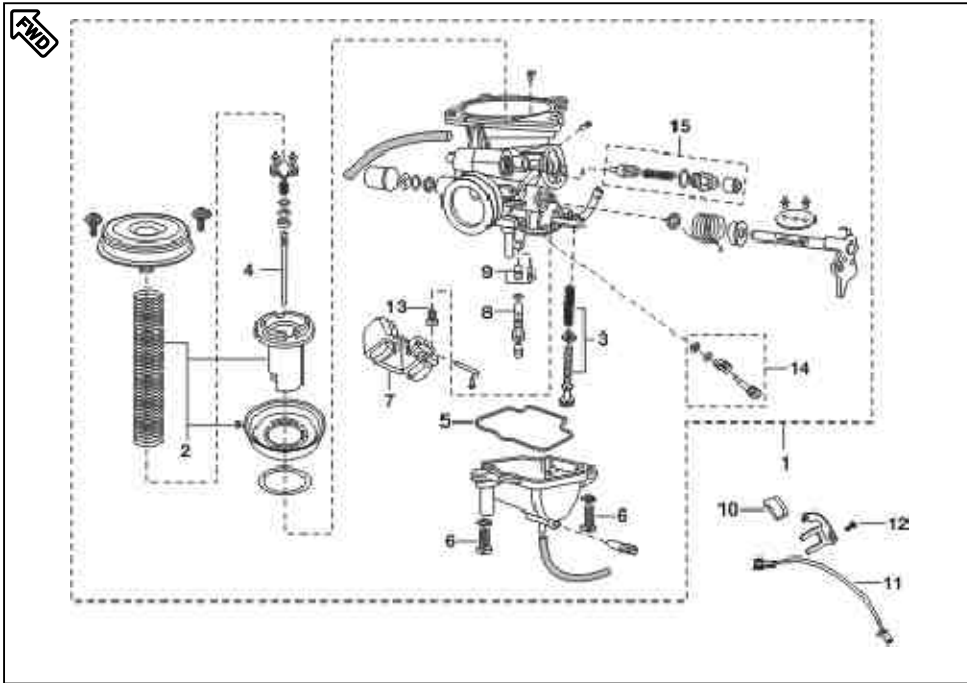
No.	Part No.	Description	Qty/ Veh.	Remarks
11	DK 1013 38	Holder Clutch	1	
12	DK 1010 72	Rod Clutch lifter	1	
13	DK 1011 26	Spacer Clutch	1	
14	DH 1016 48	Nut Primary drive lock	1	LH Thread
15	DK 1010 78	Lever Assly. Clutch	1	
16	39 2200 11	Washer Primary Drive Gear	1	
17	DK 1011 53	Judder spring	1	
18	DK 1011 55	Spring	1	
19	DK 1013 56	Friction clutch plate kit	1	



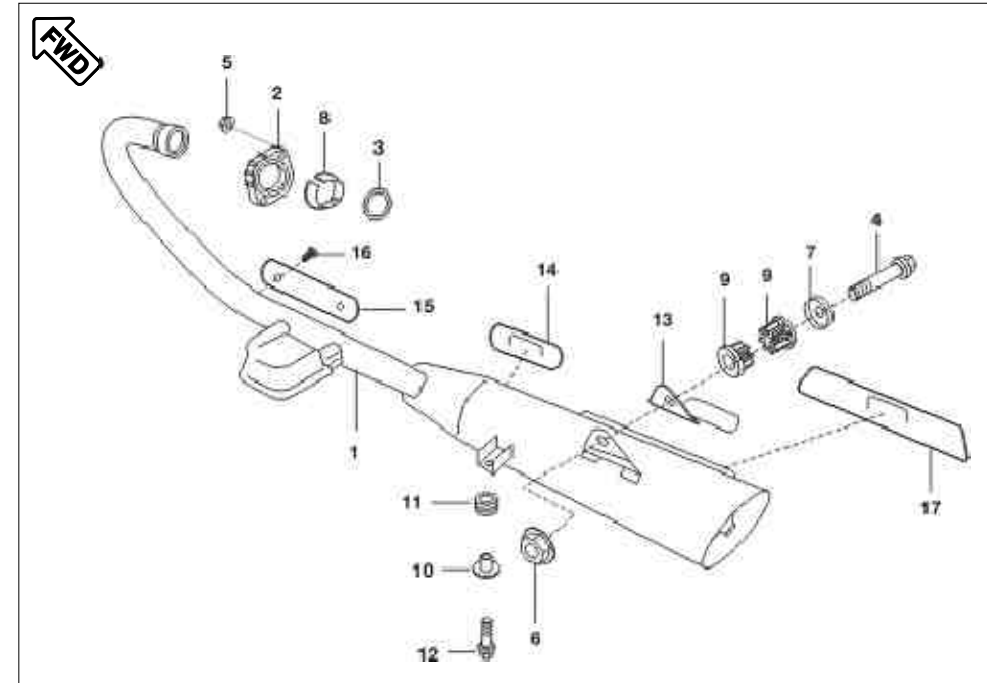
No.	Part No.	Description	Qty/ Veh.	Remarks
1	DH 1210 01	Oil Pump Assly	1	
2	39 1674 04	Hex. Bolt with flange	3	
3	DH 1210 10	Mesh filter Oil pump	1	
4	39 1686 06	Hollow dowel pin	1	
5	DH 1210 35	Clip Mesh Oil filter	1	
6	39 2194 21	'O' Ring	1	



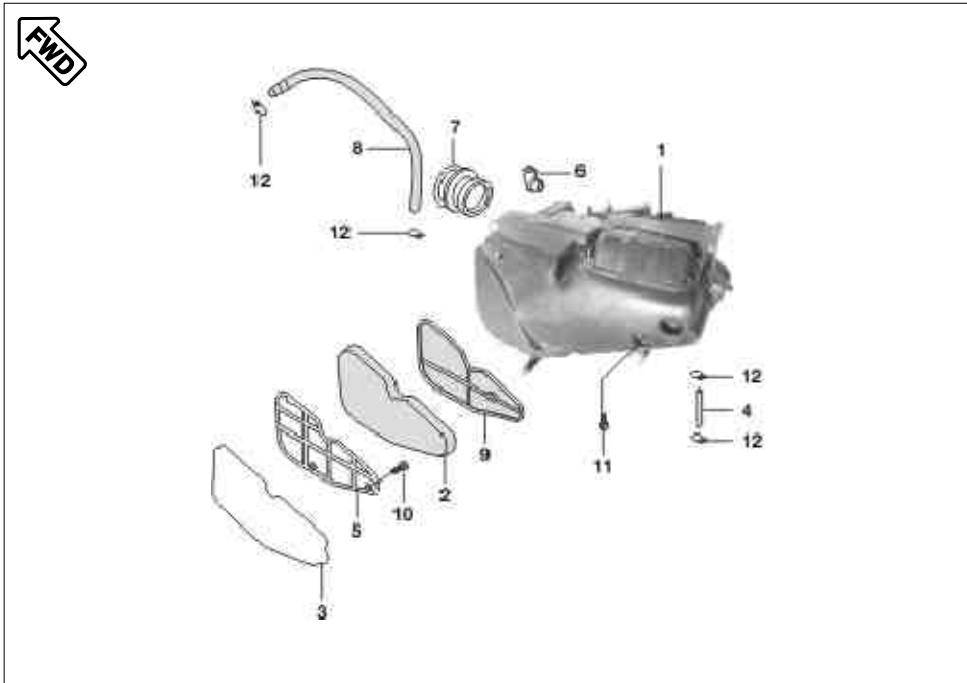
No.	Part No.	Description	Qty/ Veh.	Remarks
1	52 JM00 08	Oil cooler assembly	1	
2	39 1507 11	Washer	2	
3	39 1672 04	Bolt	1	
4	JM 1000 20	Pipe inlet oil cooler	1	
5	JM 1000 21	Pipe outlet oil cooler	1	
6	DK 1013 66	Banjo bolt	2	For oil cooler mtg.
7	DK 1012 37	Gasket	4	
8	DK 1610 81	Rubber	2	
9	JM 1610 20	Sleeve	2	
10	39 2310 04	Bolt	2	



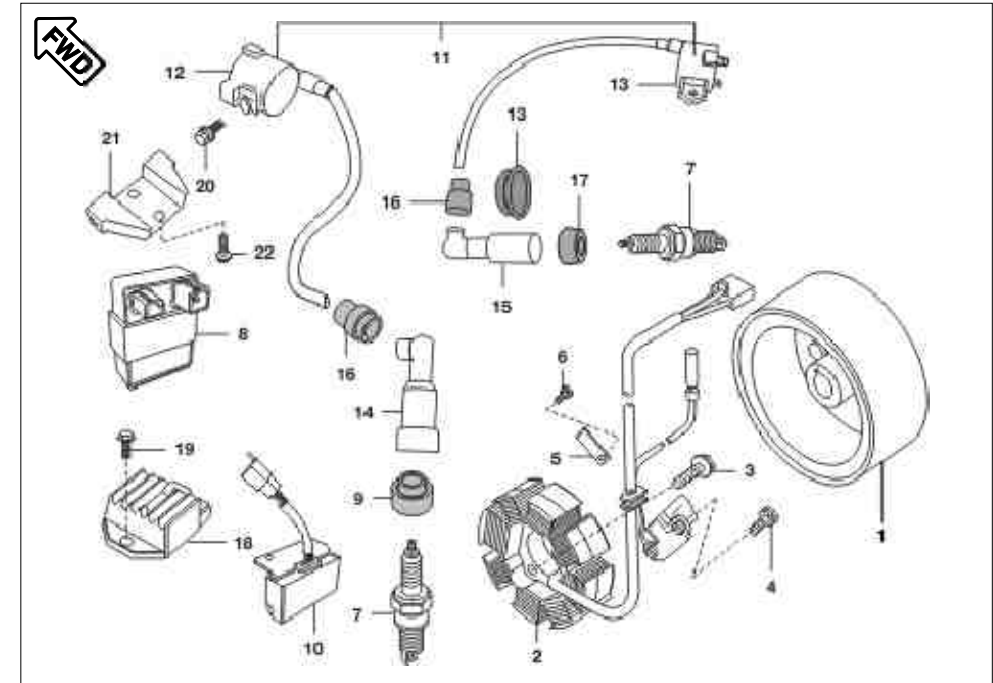
No.	Part No.	Description	Qty/ Veh.	Remarks
1	JM 1200 03	Carburettor Assly.	1	
2	DJ 1210 51	Vacuum Piston Kit	1	
3	DJ 1210 52	Idling Screw Kit	1	
4	JM 1200 06	Jet needle(JN)	1	
5	DJ 1210 53	"O" ring	1	
6	DJ 1210 54	Screw	2	
7	DJ 1210 55	Float Assly.	1	
8	JC 1200 11	Jet Holder	1	
9	JM 1200 08	Jet kit	1	Refer Page No. 63
10	JC 2010 06	Magnet Assly.	1	
11	JC 2010 05	Reed Switch Assly.	1	
12	39 1780 01	Pan Head Screw	2	
13	JC 1200 10	Needle Assly.	1	
14	DJ 1210 58	Set Adjuster (PS)	1	
15	DJ 1210 59	Set Plunger Assly.	1	
16	JM 1200 05	Air jet (Fixed in body)	1	N.I.



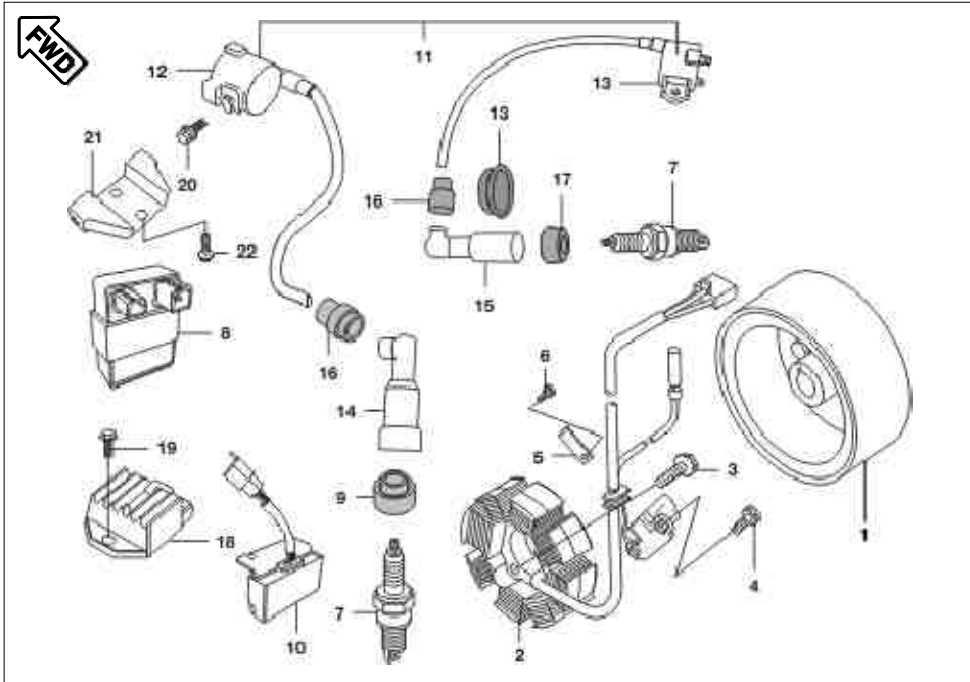
No.	Part No.	Description	Qty/ Veh.	Remarks
1	JM 1000 33	Silencer Assly. (with CAT & Resonator)	1	
	JM 1000 56	Silencer assly (Stainless steel)	1	
2	DG 1012 45	Holder Exhaust pipe	1	
3	DG 1014 17	Gasket Exhaust pipe holder	1	
4	DG 1012 85	Bolt	1	
5	39 2228 15	Domed cap Nut	2	
6	39 1225 15	Nut flanged	1	
7	DG 1012 49	Washer	1	
8	DG 1012 50	Collar	2	
9	DG 1012 51	Bushing rubber, muffler	2	Alt. DG 1014 19
10	DG 1014 10	Collar	1	
11	DG 1012 53	Damper	1	
12	39 2209 04	Bolt Flanged	1	
13	DG 2210 38	Guard Muffler	1	
14	DV 1010 57	Cover Muffler	1	
15	DV 1010 35	Shield Exhaust tube	1	
16	DH 1016 07	Truss Screw	2	
17	DV 1010 56	Cover Muffler	1	



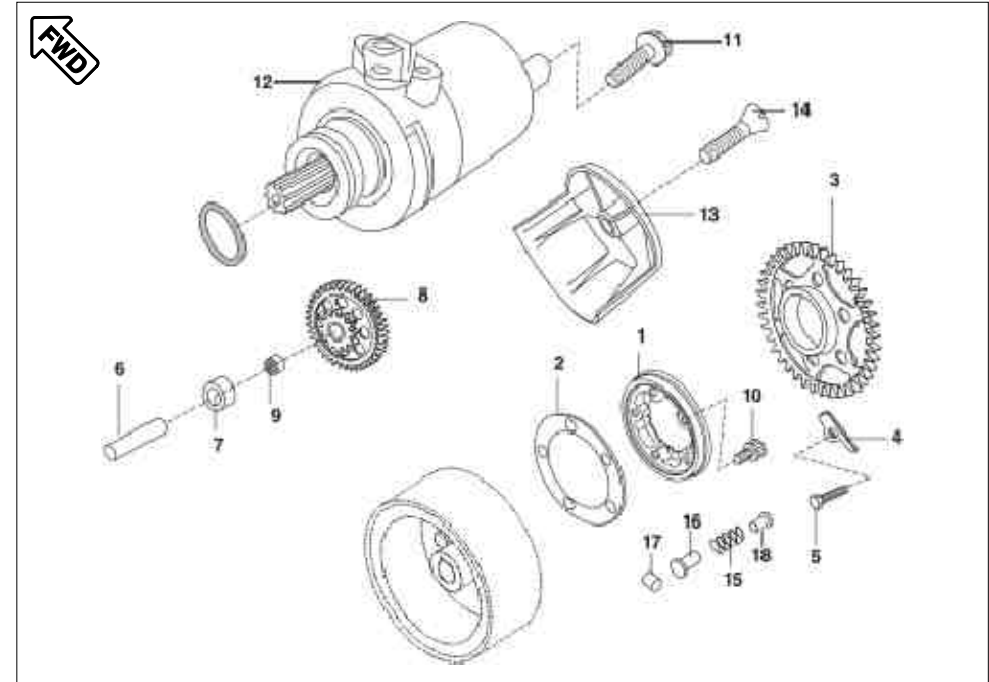
No.	Part No.	Description	Qty/ Veh.	Remarks
1	JM 1200 02	Air Filter Assly.	1	
2	DG 1210 10	Element Air filter	1	
3	DG 1210 12	Gasket Air filter	1	
4	DG 1210 28	Tube	1	
5	DG 1210 14	Plate Element	1	
6	DV 1210 07	Tube Rubber	1	
7	JM 1200 01	Connecting tube	1	
8	DV 1210 05	Tube Breather	1	
9	DG 1210 23	Flame Arrester	1	
10	39 2044 01	Screw	5	
11	39 2046 01	Screw	5	
12	DG 1210 26	Clamp	5	



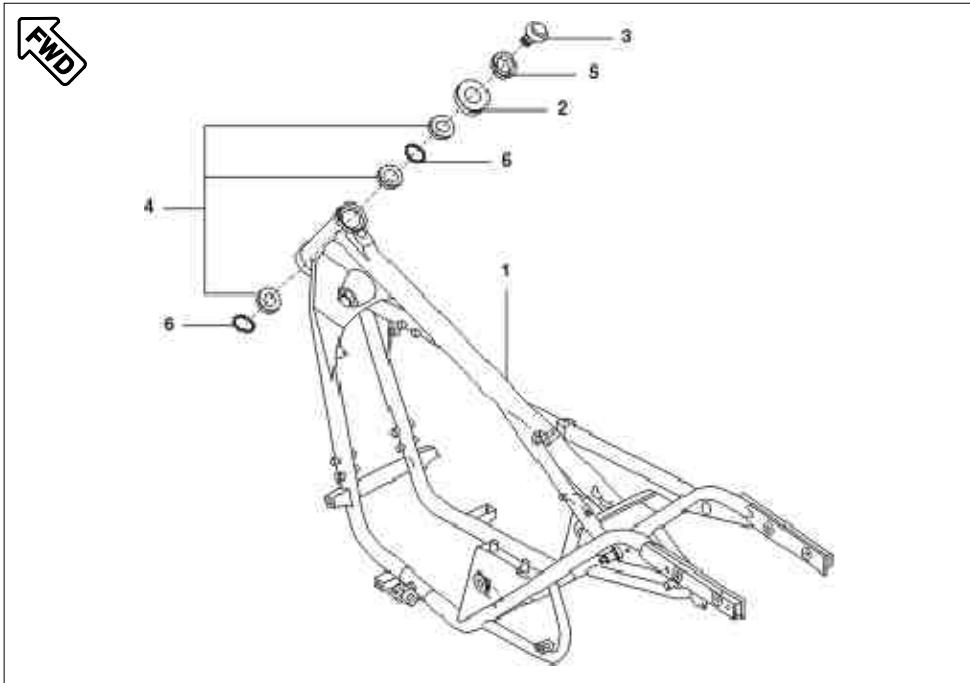
No.	Part No.	Description	Qty/ Veh.	Remarks
1	JM 1110 04	Rotor	1	
2	JM 1110 02	Stator Assly. comp	1	
3	39 1674 04	Hex. Bolt with Flange	2	
4	39 0761 01	Pan Head Screw	2	
5	DH 1011 99	Stopper plate (wiring harness)	1	
6	39 0746 01	Screw Pan head	1	
7	DG 1110 08	Spark plug	2	
8	DV 1110 01	C.D.I Assly. / Damper	1	
9	DD 1110 11	Grommet Spark Plug cap LH	1	
10	DS 2010 03	AC/DC Regulator	1	With Aluminum bracket
11	DV 1110 08	H.T. Coil Kit	1	Refer Page No. 63
12	DV 1110 02	H.T. coil LH	1	
13	DV 1110 03	H.T. coil RH	1	
14	DH 1110 16	Grommet Sleeve Spark Plug	1	
15	DD 1110 48	Cap Spark Plug LH	1	
16	DH 1110 15	Cap Spark Plug RH	1	
17	DD 1110 12	Grommet H.T. Cable	2	



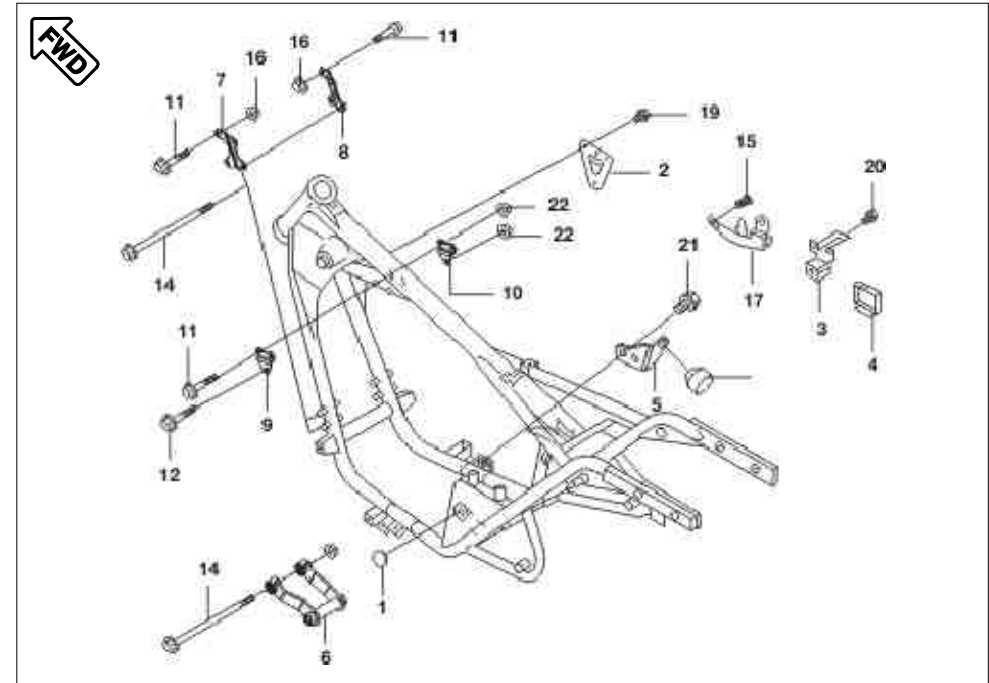
No.	Part No.	Description	Qty/ Veh.	Remarks
18	DH 1110 13	Grommet Spark Plug cap RH	1	
19	DV 2010 09	Regulator Voltage	1	
20	39 1950 04	Flange Bolt small	2	
21	39 1902 04	Flange Bolt	2	
22	DJ 1610 67	Bracket H.T.Coil	1	
23	39 1680 04	Flange Bolt	2	
24	59 1000 02	Spring dowel	1	N.I.



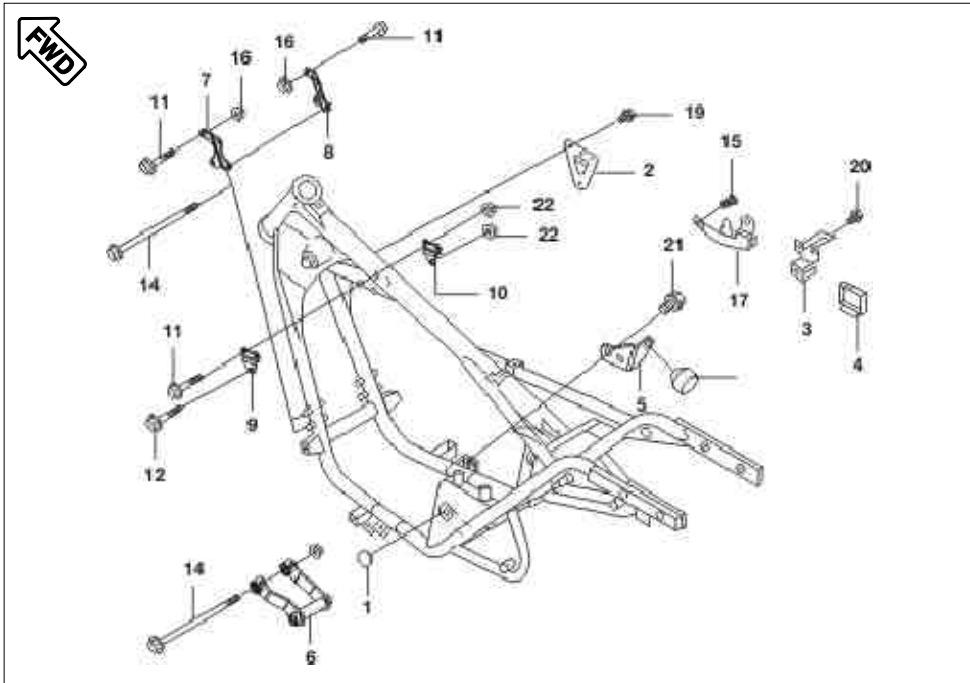
No.	Part No.	Description	Qty/ Veh.	Remarks
1	DH 1017 82	Body comp. starter clutch	1	
2	DH 1015 33	Bush Spring Starter Clutch	5	
3	DH 1017 81	Plate roller clutch	1	
4	DH 1014 01	Gear starter clutch	1	
5	DH 1011 70	Plate starter clutch gear return	1	Stopper plate
6	39 1672 04	Bolt	1	For stopper plate
7	DK 1011 76	Shaft starter counter	1	
8	DH 1011 72	Collar starter counter	1	
9	DH 1014 72	Gear comp. starter counter assly.	1	
10	39 2152 20	Needle roller bearing	1	
11	39 2437 04	Bolt socket	3	
12	DK 1110 09	Starter Motor	1	
13	39 1074 04	Bolt	2	
14	DH 1013 72	Cover starter motor	1	
15	39 2285 01	Slotted c'sunk screw	1	
16	DH 1011 64	Spring	5	
17	DJ 1011 09	Bush For Spring Starter	5	
18	DH 1011 63	Roller	5	



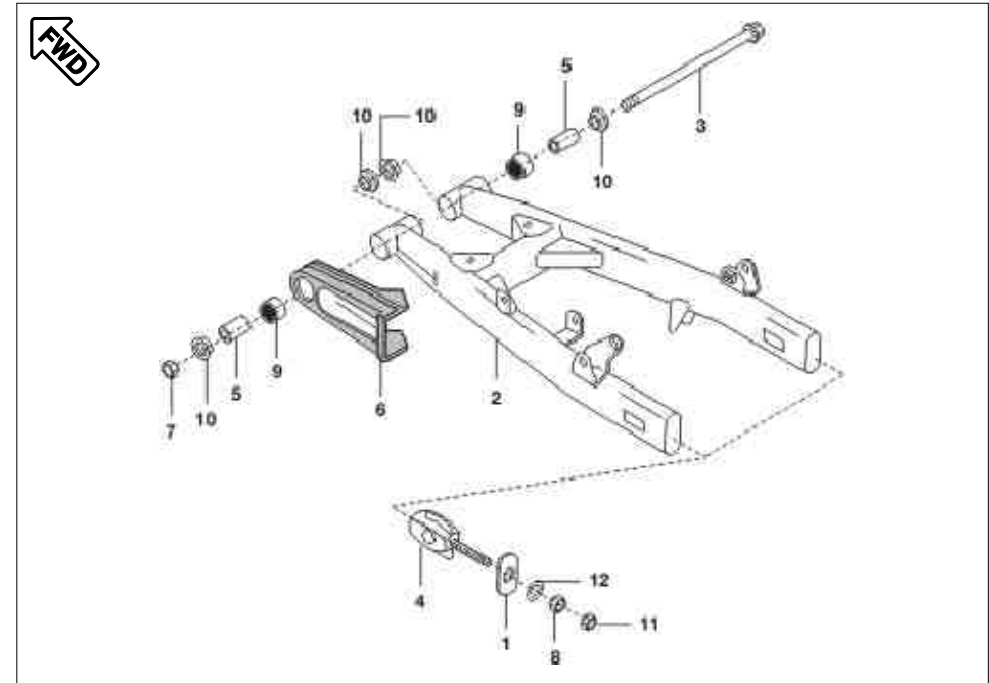
No.	Part No.	Description	Qty/ Veh.	Remarks
1	JM 1610 26	Frame comp.	1	Refer Page No. 63
2	DG 1810 42	Cap Steering Stem	1	
3	DG 1810 44	Bolt flanged	1	
4	36 DV00 07	Steering Cone Kit	1	
5	DG 1810 48	Nut	1	
6	30 1012 36	Ball Steel	39	



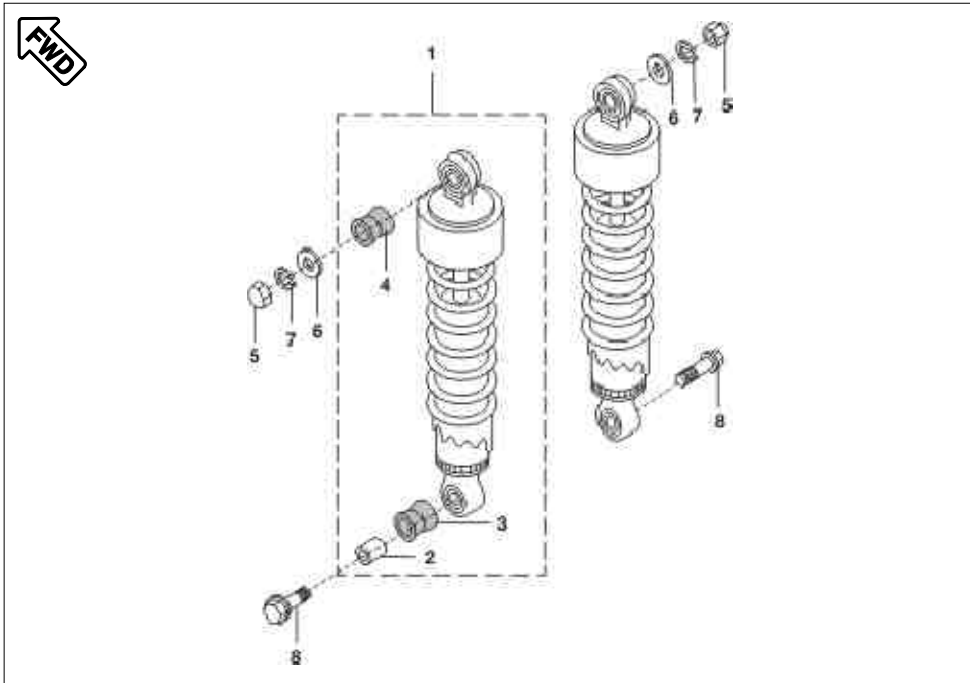
No.	Part No.	Description	Qty/ Veh.	Remarks
1	DG 1611 54	Cap, Pivot	2	
2	DG 1611 63	Bracket, Igniter	1	
3	DG 1611 64	Bracket Electric	1	
4	DG 1611 65	Cap, Tool case	1	
5	DV 1610 13	Stopper Kick	1	
6	JM 1610 04	Bracket, Engine Rear (Silent)	1	
7	JM 1610 02	Bracket, Engine Mtg. Front LH	1	
8	JM 1610 03	Bracket, Engine Mtg. Front RH	1	
9	JM 1610 05	Bracket, Engine Top LH	1	
10	JM 1610 06	Bracket, Engine Top RH	1	
11	39 2648 04	Bolt	4	
12	39 1966 04	Bolt, Flanged	1	
13	39 2157 04	Bolt	3	
14	59 0400 43	Bolt, Allen	1	
15	DG 1611 66	Screw	2	



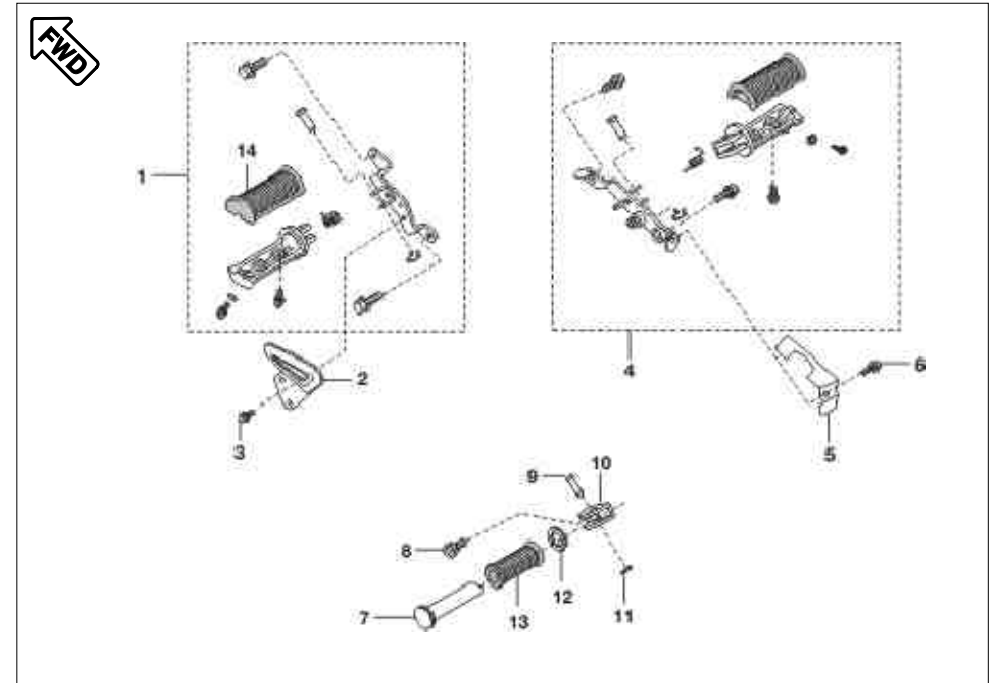
No.	Part No.	Description	Qty/ Veh.	Remarks
16	39 0291 15	Nut Flanged	11	
17	DG 1611 67	Band	1	
18	DG 1612 24	Damper	1	
19	39 1912 04	Bolt Flanged	2	
20	39 1944 04	Bolt Flanged	2	
21	39 1964 04	Bolt Flanged	2	
22	39 2455 04	Bolt	3	



No.	Part No.	Description	Qty/ Veh.	Remarks
1	DG 1710 20	Cap chain Adjuster	2	
2	JM 1710 01	Arm Comp. Swing	1	
3	DG 1710 15	Shaft Swing Arm	1	
4	DG 1710 21	Adjuster Chain	2	
5	DG 1710 16	Sleeve	2	
6	DG 1710 34	Guard, Chain	1	
7	DG 1710 17	Nut	1	
8	DG 1710 22	Nut	2	
9	DG 1710 18	Bearing Needle	2	
10	DG 1710 19	Seal Oil	4	
11	39 1997 15	Nut Hex small	2	
12	39 1224 11	Washer Plain small	2	

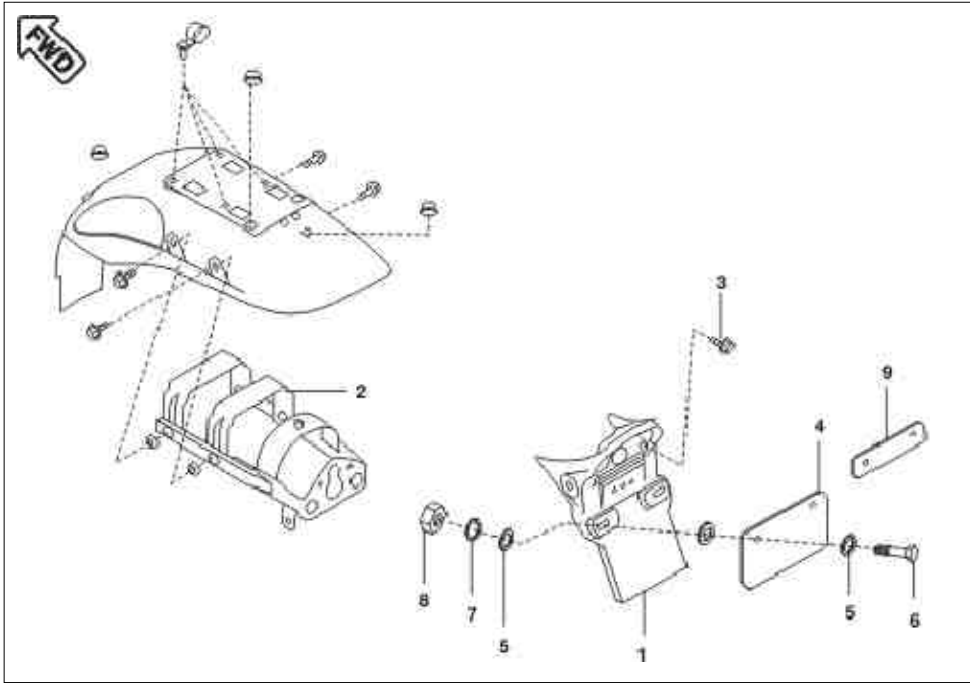


No.	Part No.	Description	Qty/ Veh.	Remarks
1	DV 1710 01	Rear Shock Absorber	2	
2	DG 1710 35	Collar, shock Absorber	2	
3	DG 1710 37	Damper, Lower	2	
4	DG 1710 36	Damper, Upper	2	
5	DG 1710 39	Nut cap	2	
6	DG 1710 25	Washer	2	
7	39 1829 12	Spring Washer	2	
8	DG 1710 38	Bolt Flanged	2	

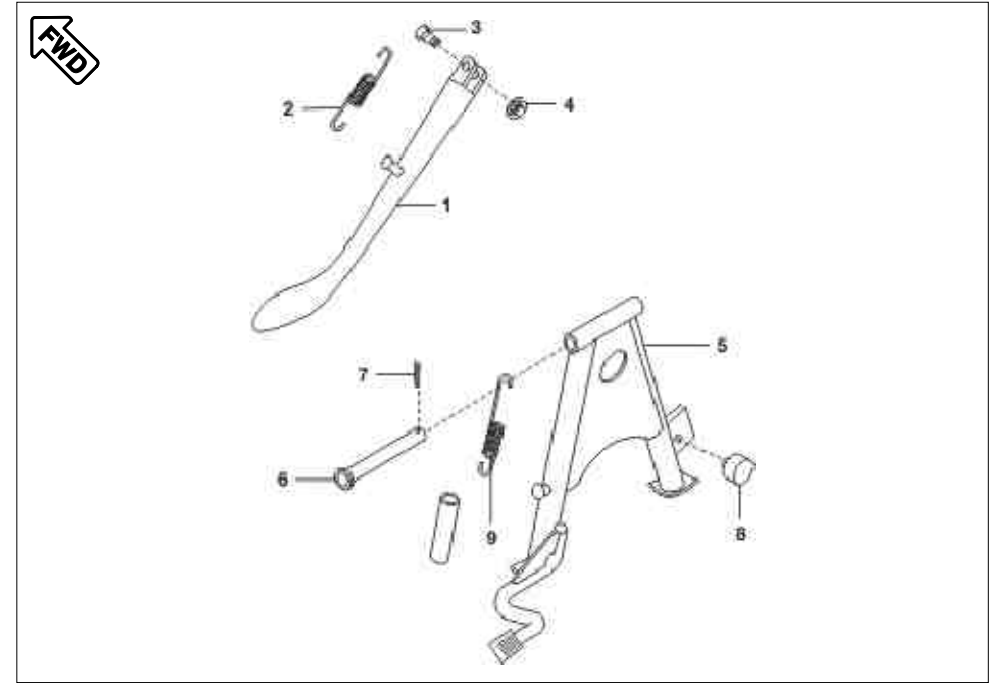


No.	Part No.	Description	Qty/ Veh.	Remarks
1	DV 1610 46	Holder Step Front LH Assly.	1	
2	DV 1610 45	Guard Step LH	1	
3	39 2204 04	Bolt Flanged small	1	
4	JM 1610 15	Holder Step Front RH Assly.	1	
5	JM 1610 22	Cover cable	1	
6	39 1954 04	Bolt Flanged small	1	
7	DG 1612 64	Step Rear	2	
8	DG 1611 53	Bolt socket	2	
9	DG 1611 45	Pin	2	
10	DG 1611 88	Holder Step Rear	2	
11	39 0146 08	Split Pin	2	
12	DG 1611 50	Washer	2	
13	DG 1611 52	Step Rubber Rear	2	
14	DV 1610 47	Rubber Main Step	2	

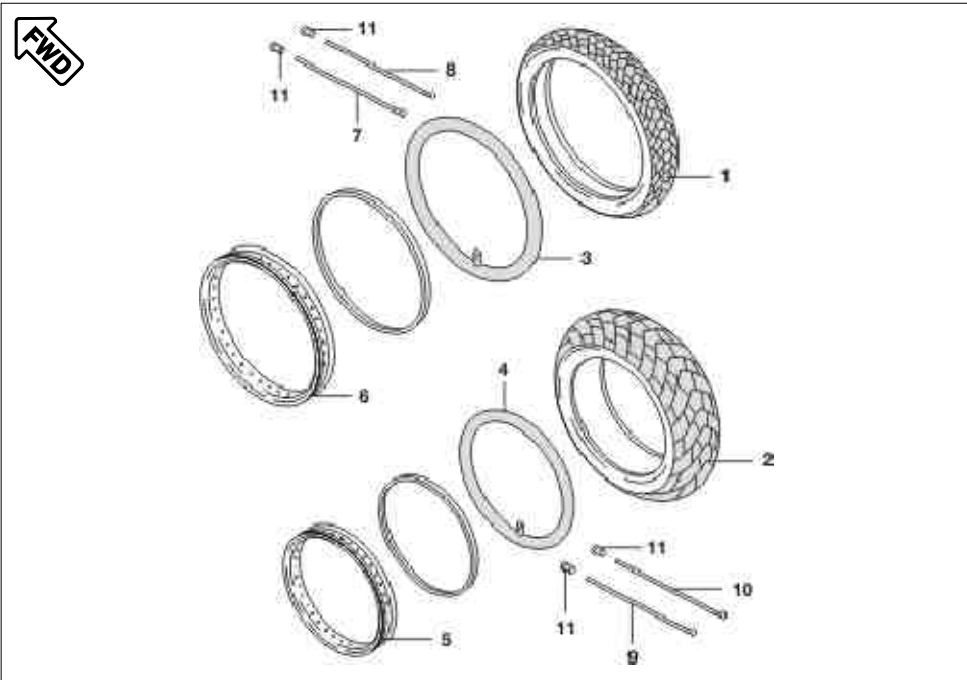




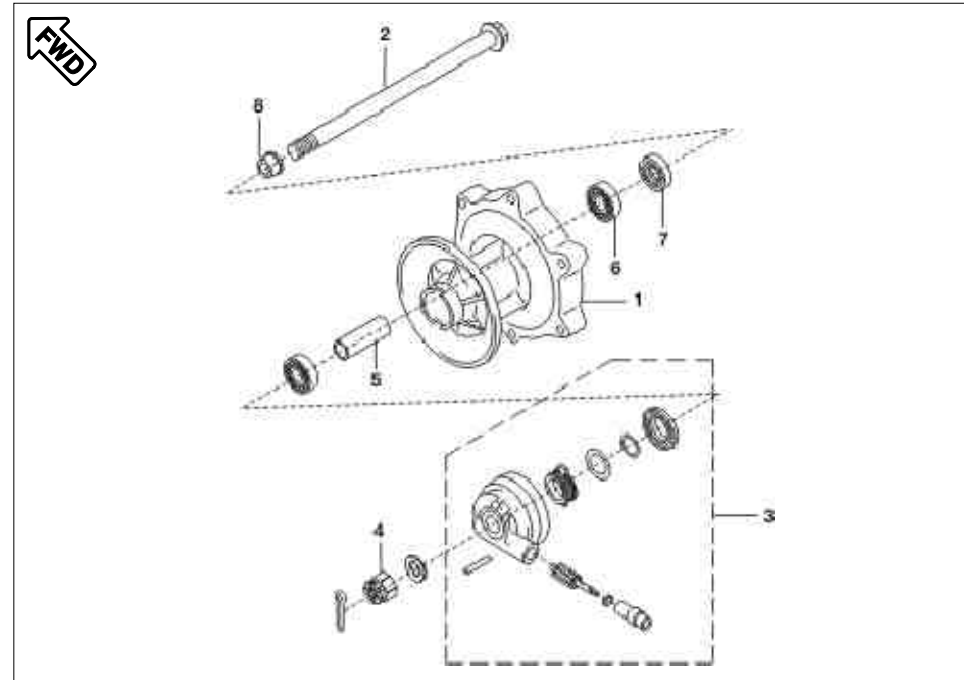
No.	Part No.	Description	Qty/ Veh.	Remarks
1	DG 1612 67	Flap	1	
2	DG 1612 06	Stay rear fender	1	
3	DG 1611 10	Bolt	2	
4	DP 1611 45	Number Plate	1	
5	39176511	Plain Washer	4	
6	39 1943 04	Hex. head Bolt	2	
7	39 0790 12	Spring Washer	2	
8	39 0291 15	Hex. Nut	2	
9	DF 1612 48	Bkt. Rear Number Plate	1	



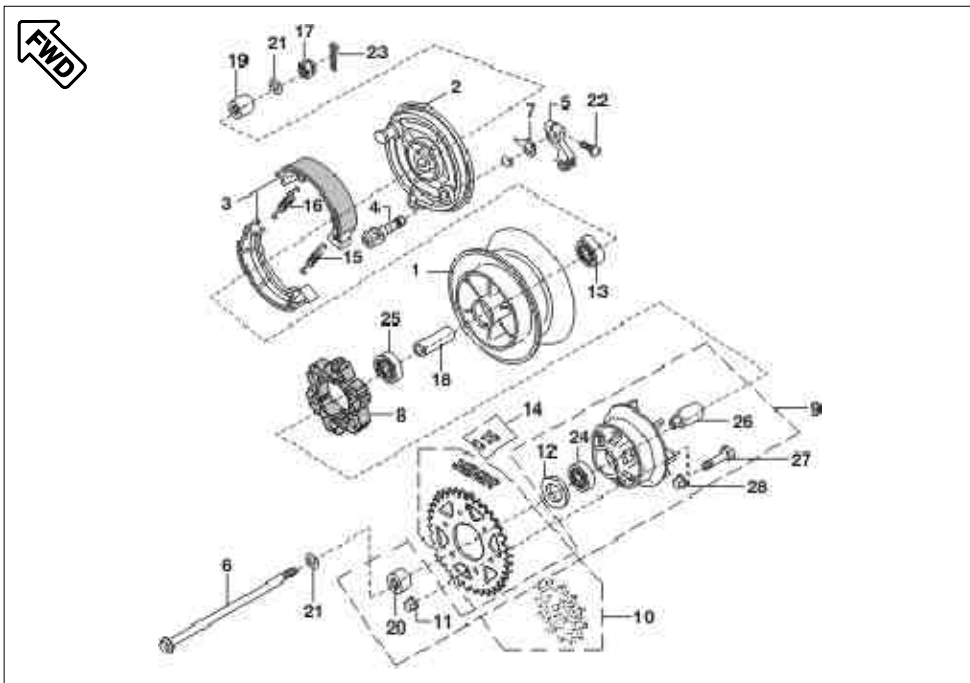
No.	Part No.	Description	Qty/ Veh.	Remarks
1	DV 1610 17	Side Stand	1	
2	DG 1612 19	Spring	1	
3	DG 1611 29	Bolt	1	
4	DD 1610 71	Lock Nut	1	
5	DV 1610 33	Stand Centre	1	
6	DG 1612 30	Shaft Stand	1	
7	39 0797 08	Pin Cotter	1	
8	DG 1611 24	Damper	1	
9	DV 1010 60	Spring	1	
10	39 2423 11	Plain washer	1	



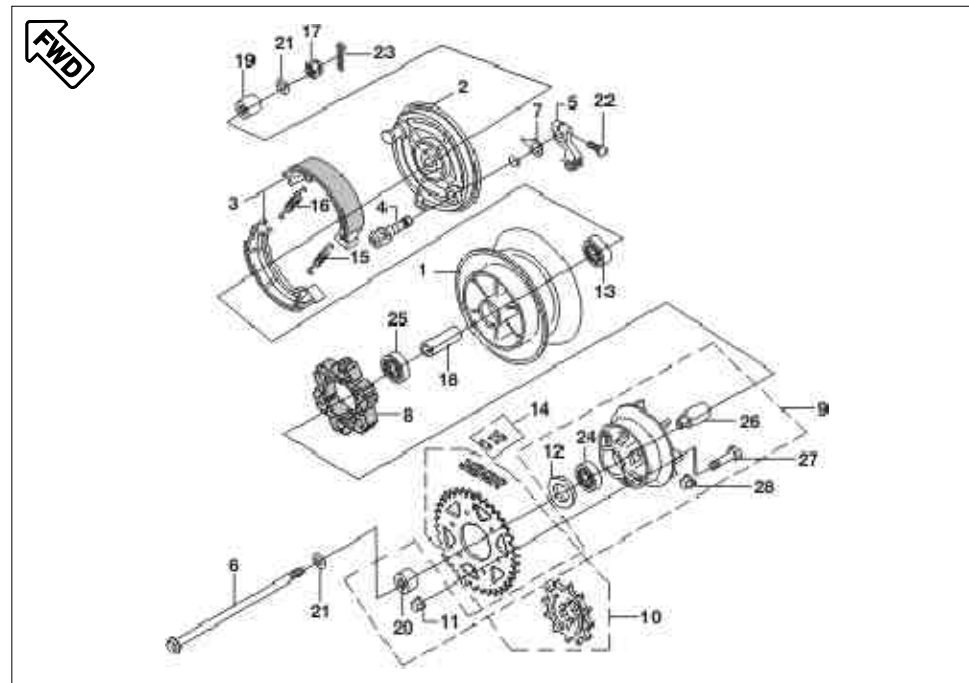
No.	Part No.	Description	Qty/ Veh.	Remarks
1	DG 1510 97	Tyre Front	1	} Proprietary Items Not to Service
2	DG 1510 70	Tyre Rear	1	
3	DG 1510 21	Tube for Tyre Front	1	
4	DG 1510 71	Tube for Tyre Rear	1	
5	DG 1510 94	Rim Rear	1	
6	DG 1510 93	Rim Front	1	
7	DG 1510 25	Spoke Inner Front	18	
8	DG 1510 75	Spoke Inner Rear	18	
9	DG 1510 26	Spoke Outer Front	18	
10	DG 1510 76	Spoke Outer Rear	18	
11	30 1511 13	Nipple Spoke	72	



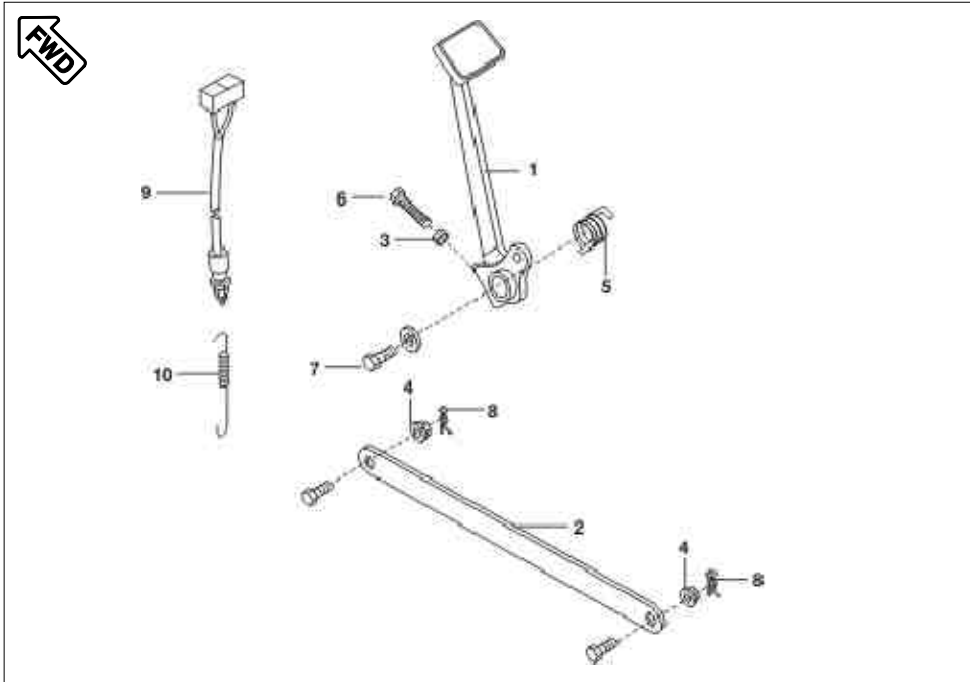
No.	Part No.	Description	Qty/ Veh.	Remarks
1	DG 1510 03	Drum Front Brake	1	
2	DV 1510 09	Axle, Front	1	
3	DG 1510 09	Case Assly Meter Gear	1	
4	39 0800 15	Nut Castle	1	
5	DG 1510 04	Collar	1	
6	39 2241 20	Ball Bearing	2	
7	DG 1510 05	Seal oil	1	
8	DG 1510 07	Collar Front Axle	1	



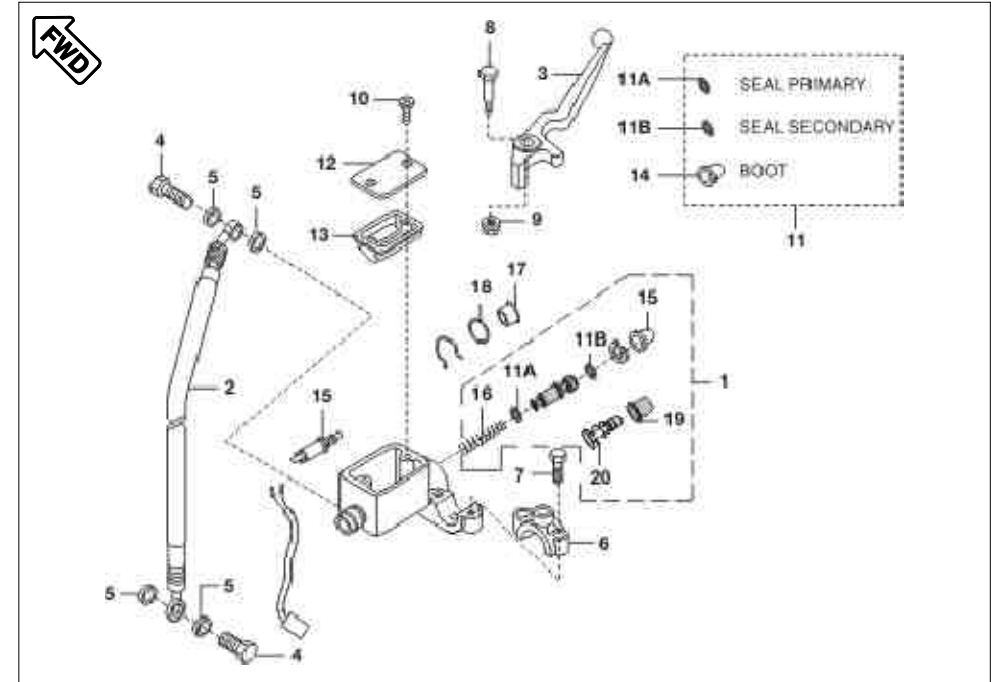
No.	Part No.	Description	Qty/ Veh.	Remarks
1	DG 1510 84	Drum Rear Brake	1	
2	DG 1510 82	Panel Assly Brake Rear	1	
3	DG 1510 96	Shoe Brake Rear (Pair)	1	
4	DG 1510 59	Cam Brake	1	
5	DG 1510 60	Lever Brake Cam	1	
6	DG 1510 61	Axle Rear	1	
7	30 1510 09	Indicator Brake Shoe	1	
8	30 1510 76	Damper Rear Hub Shock	1	
9	52 JM00 15	Coupling Assly Rear Hub	1	
10	36 JM00 03	Chain - Sprocket - Kit	1	Refer Page No. 63
11	DG 1510 66	Nut Flanged lock	6	
12	30 1510 82	Seal Oil	1	
13	39 2242 20	Bearing Ball	1	
14	DG 1510 95	Joint Chain	1	
15	DG 1510 58	Spring Brake Shoe	1	



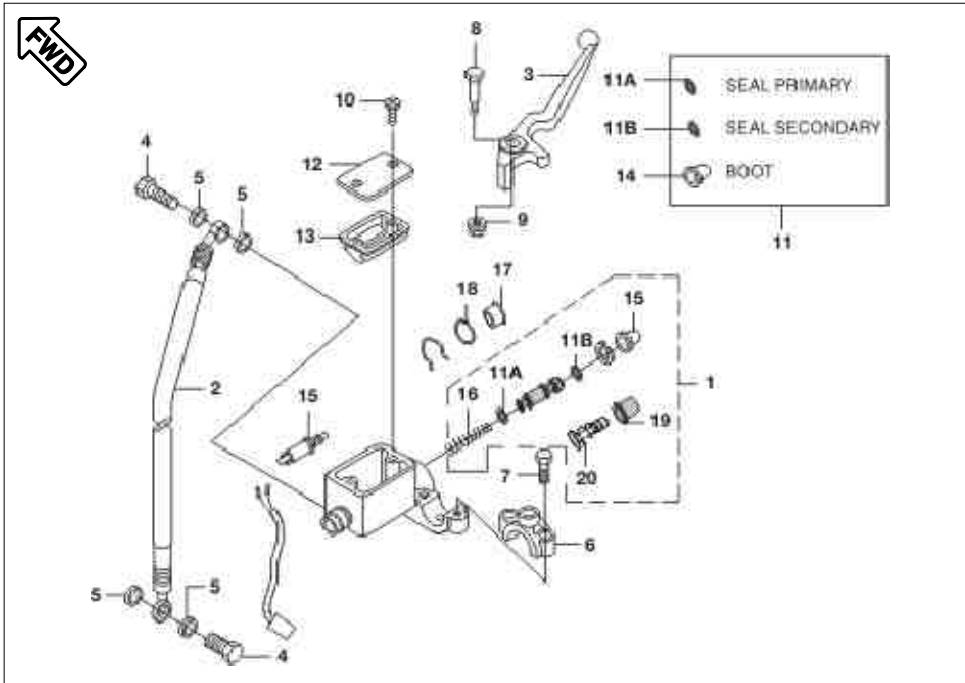
No.	Part No.	Description	Qty/ Veh.	Remarks
16	30 1510 69	Spring Brake Shoe	1	
17	39 1915 15	Nut Castle	1	
18	DG 1510 53	Collar Rear Brake Drum	1	
19	DG 1510 62	Collar Rear Axle	1	
20	DG 1510 67	Collar Rear Hub Coupling	1	
21	DG 1510 08	Washer	2	
22	39 1916 04	Bolt Upset	1	
23	39 0148 08	Split Pin	1	
24	39 2240 20	Bearing Ball	1	
25	39 2241 20	Bearing Ball	1	
26	DG 1510 65	Sleeve	1	
27	DG 1510 68	Bolt	6	
28	DG 1510 06	Nut for sprocket	6	



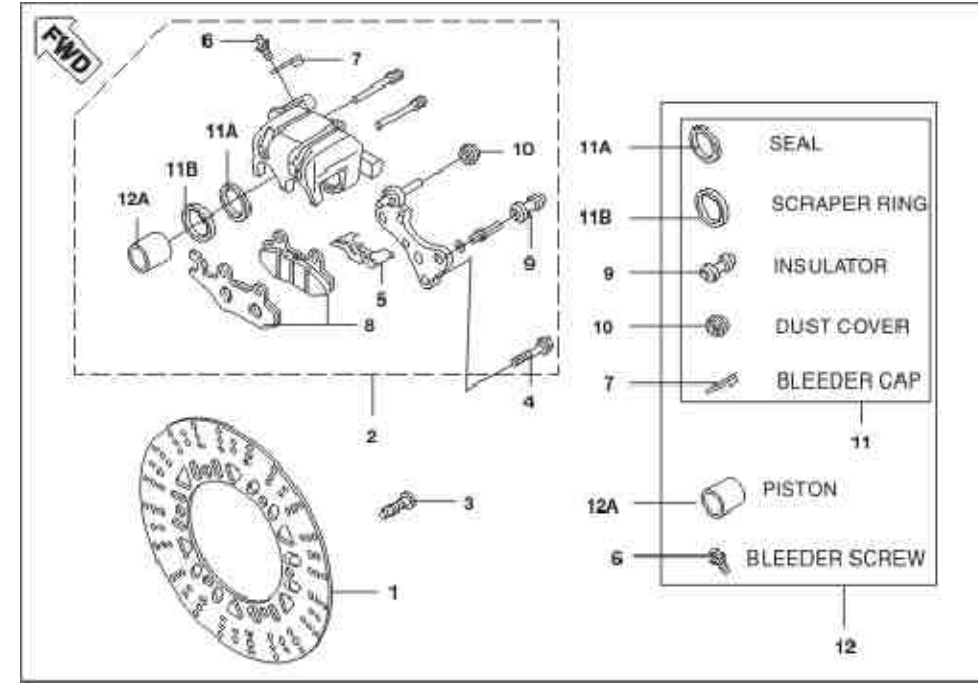
No.	Part No.	Description	Qty/ Veh.	Remarks
1	JM 1910 01	Lever Brake Pedal	1	
2	DG 1910 47	Rod Torque	1	
3	39 0292 15	Nut	1	
4	39 1225 15	Nut Flanged	2	
5	DG 1910 46	Spring Brake Pedal Return	1	
6	39 2307 04	Hex. Head Bolt	1	
7	39 1994 04	Bolt Upset WS	1	
8	39 0807 08	Pin Snap	2	
9	DG 2010 61	Switch Brake Lamp	1	
10	JM 1910 06	Spring Rear Brake Switch	1	
11	JM 1910 03	Brake lever plate	1	N.I.
12	JM 1910 04	Pin rear brake link	1	
13	JM 1910 02	Bracket rear brake link	1	



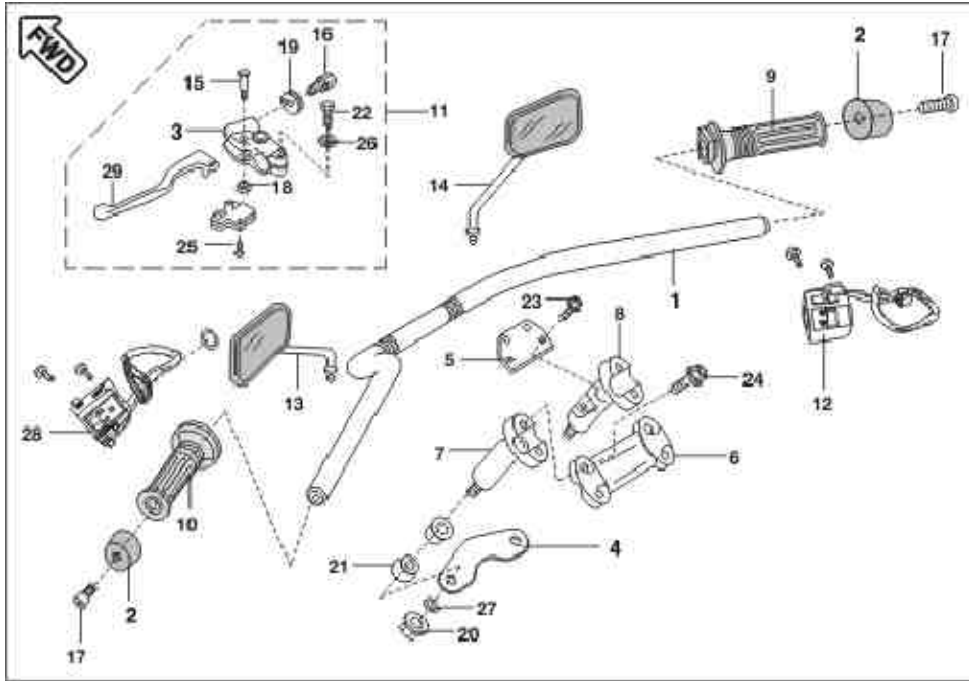
No.	Part No.	Description	Qty/ Veh.	Remarks
1	DE 1910 15	Major Kit - Master Cylinder	1	
2	DG 0100 14	Hose Brake Front	1	
3	DG 1910 88	Lever Grip RH	1	
4	DE 1910 11	Banjo Bolt	2	
5	DE 1910 10	Washer Copper	4	
6	DK 1810 52	Clamp Holder RH	1	
7	DE 1910 34	Bolt	1	
8	DE 1910 31	Bolt Front Brake Lever	1	
9	DE 1910 32	Nut Flanged	1	
10	DE 1910 30	Screw	2	



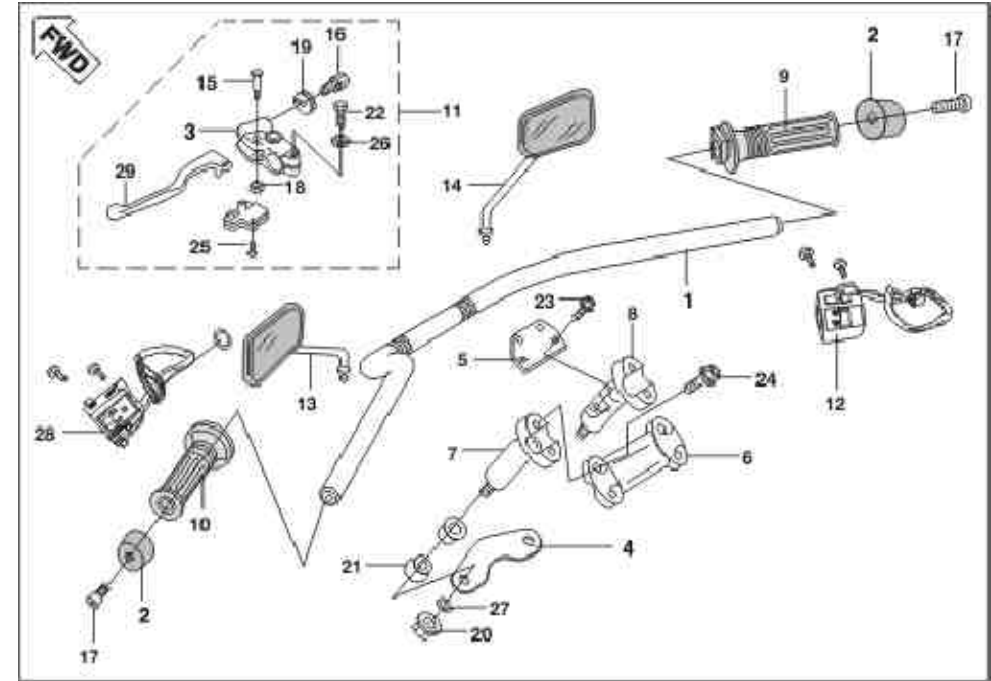
No.	Part No.	Description	Qty/ Veh.	Remarks
11	DE 1910 29	Reservoir Cover	1	
12	DE 1910 28	Diaphragm	1	
13	DE 1910 27	Cover Seal Master Cylinder (Boot)	1	
14	DE 2010 16	Front brake switch	1	
15	DE 1910 23	Return spring	1	
16	DE 1910 36	Winow	1	
17	DE 1910 37	'O' ring	1	
18	DE 1910 38	Clip	1	
19	DE 1910 25	Push rod	1	
20	DE 1910 26	Conical spring	1	



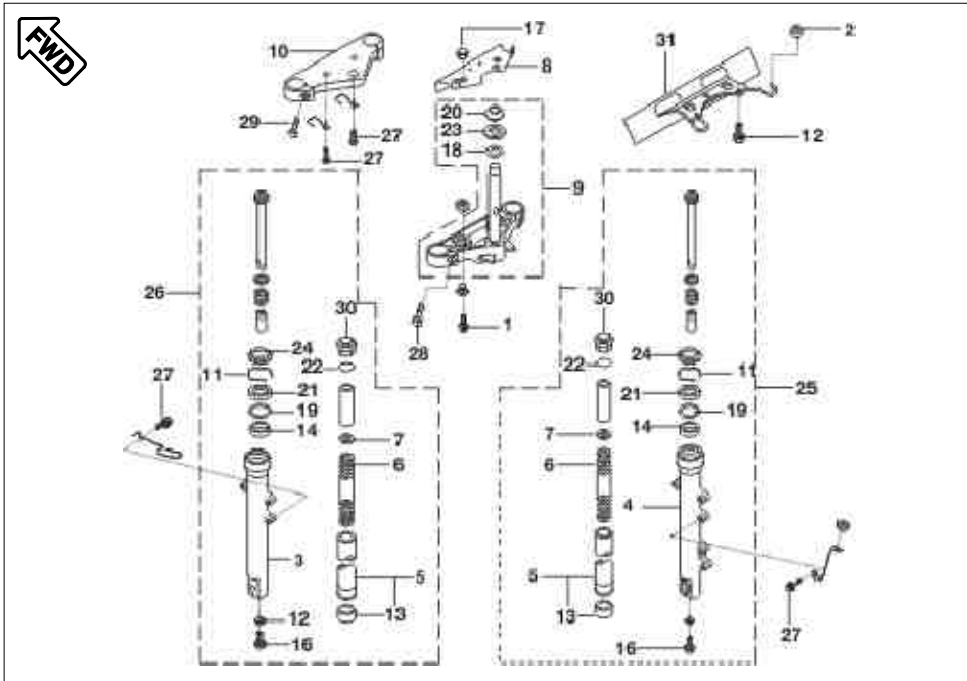
No.	Part No.	Description	Qty/ Veh.	Remarks
1	DG 1510 28	Disc, Front	1	
2	DG 1510 89	Caliper Assly. Front	1	
3	DG 1510 49	Bolt, Disc Plate	6	
4	DG 1510 88	Bolt Flanged	2	
5	DE 1510 48	Spring Pad	1	
6	DE 1510 46	Bleeder Screw	1	
7	DE 1510 47	Bleeder Cap	1	
8	DE 1510 37	Disc Pad Set	1	
9	DE 1510 43	Insulator	1	
10	DE 1510 45	Dust cover	1	
11	DE 1510 51	Minor Kit - Caliper	1	
12	DE 1510 52	Major Kit - Caliper	1	



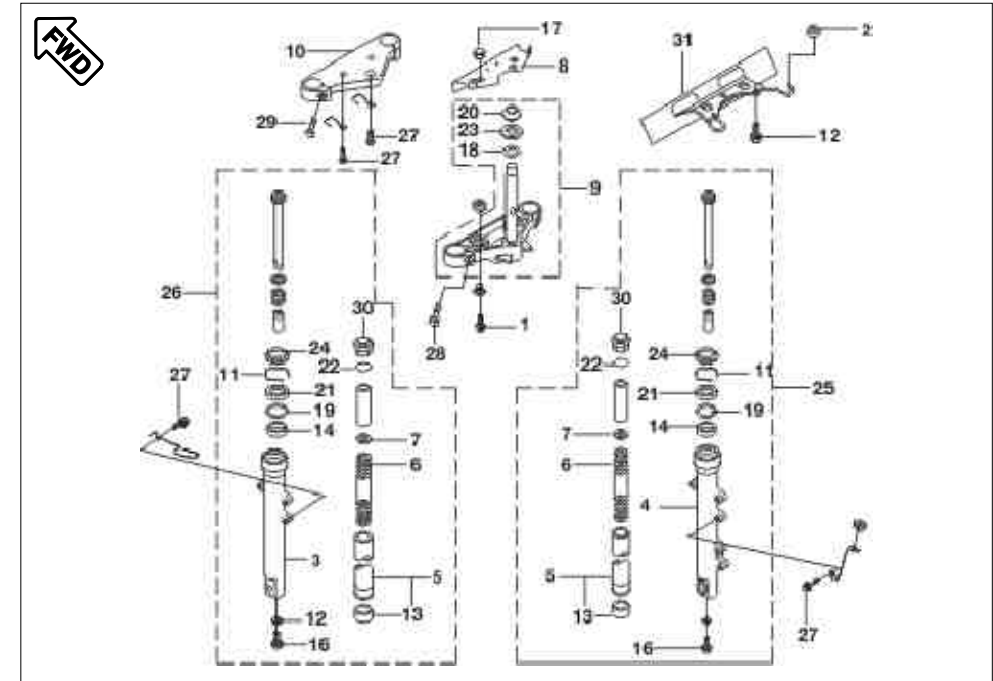
No.	Part No.	Description	Qty/ Veh.	Remarks
1	JM 1810 08	Handle	1	(2.6 mm thick)
2	DV 1810 03	Weight, Handle	2	
3	DG 1910 80	Holder Clutch Lever	1	
4	DG 1810 69	Plate	1	
5	DG 1810 81	Bracket speedometer	1	
6	DG 1810 67	Holder Handle Upper	1	
7	DG 1810 70	Holder Handle Lower LH	1	
8	DG 1810 71	Holder Handle Lower RH	1	
9	DH 1910 08	Grip RH	1	
10	DH 1910 07	Grip LH	1	
11	DG 1910 10	Lever Assly. Grip Clutch LH	1	
12	DV 2010 04	Housing Assly. Control RH	1	
13	JM 2210 01	Mirror Assly LH	1	
14	JM 2210 02	Mirror Assly RH	1	
15	DG 1910 13	Bolt Clutch Lever	1	



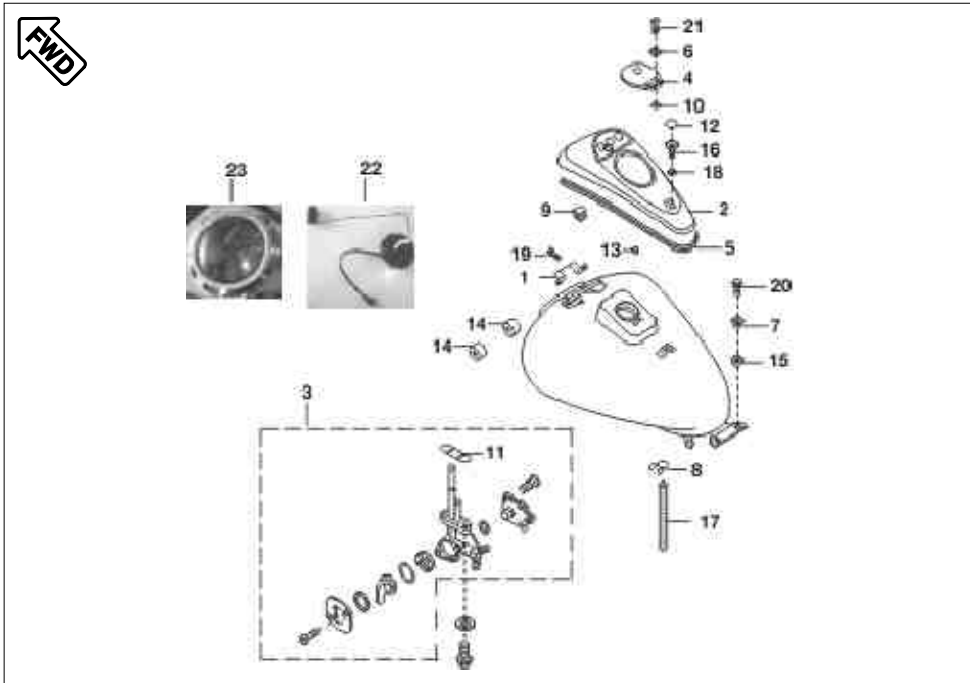
No.	Part No.	Description	Qty/ Veh.	Remarks
16	30 1910 24	Screw cable Adjust	1	
17	39 2427 04	Allen bolt	2	
18	DG 1910 14	Nut Lock	1	
19	30 1910 17	Nut Cable Adjust Lock	1	
20	DG 1810 87	Nut Cap	2	
21	DG 1810 54	Damper	4	
22	39 1993 04	Bolt Upset	1	
23	39 1953 04	Bolt Flanged small	2	
24	39 1952 04	Bolt Flanged small	4	
25	39 1995 01	Screw CSK Cross	2	
26	39 1506 11	Washer Plain small	1	
27	39 0789 12	Washer spring	2	
28	JM 2010 03	Housing Assly. Control LH	1	
29	DG 1910 15	Lever Grip LH	1	
30	DG 2010 30	Clutch switch	1	N.I.



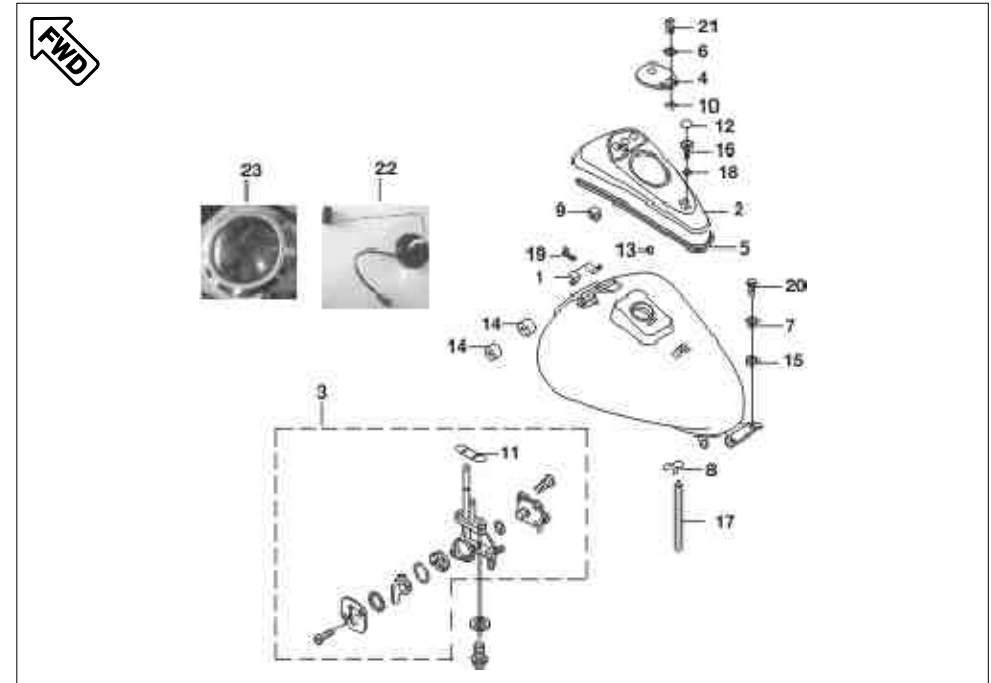
No.	Part No.	Description	Qty/ Veh.	Remarks
1	39 1950 04	Bolt Flanged small	2	
2	DG 1810 34	Grommet, Hose Clamp	2	
3	DG 1810 12	Pipe - Left Fork Outer	1	
4	DG 1810 89	Pipe - Right Fork Outer	1	
5	DV 1810 10	Pipe, Fork Inner	2	
6	DG 1810 14	Spring Front Fork	2	
7	DG 1810 15	Seat Fork Spring	2	
8	DG 1810 93	Cover Fork	1	
9	DG 1810 95	Holder Fork Under	1	
10	DG 1810 91	Holder Fork Upper	1	
11	DG 1810 22	Ring, Oil Seal Stopper	2	
12	39 1943 04	Bolt Flange	3	
13	DG 1810 11	Bushing - Front Fork, Inner Pipe	2	
14	DG 1810 13	Bushing - Front Fork, Outer Tube	2	
15	DV 1810 01	Fork Front	1	Includes Sr.No. 10,11,38 & 39
16	DG 1810 27	Bolt, Fork Cylinder	2	
17	DG 1810 85	Nut, Cap	2	



No.	Part No.	Description	Qty/ Veh.	Remarks
18	DG 1810 03	Washer	1	
19	DG 1810 24	Spacer	2	
20	DG 1810 05	Race, Steering Stem Bearing	1	
21	DG 1810 23	Seal Oil, Fork Outer Tube	2	
22	DG 1810 26	Ring 'O' Fork Top	2	
23	DG 1810 04	Seal Oil, Steering Stem	1	
24	DG 1810 21	Seal, Fork Outer Tube	2	
25	DG 1810 88	Damper Assly. RH	1	
26	DG 1810 09	Damper Assly. LH	1	
27	DG 1810 36	Bolt	4	
28	DG 1810 06	Bolt Socket	2	
29	DG 1810 08	Bolt	2	
30	DG 1810 44	Bolt Fork Top	2	
31	DP 1611 44	Plate Number Front	1	
32	DG 1810 37	Clamp for cable (Top)	2	
33	DG 1810 40	Clamp brake hose	1	
34	DG 1810 41	Clamp speedo cable	1	

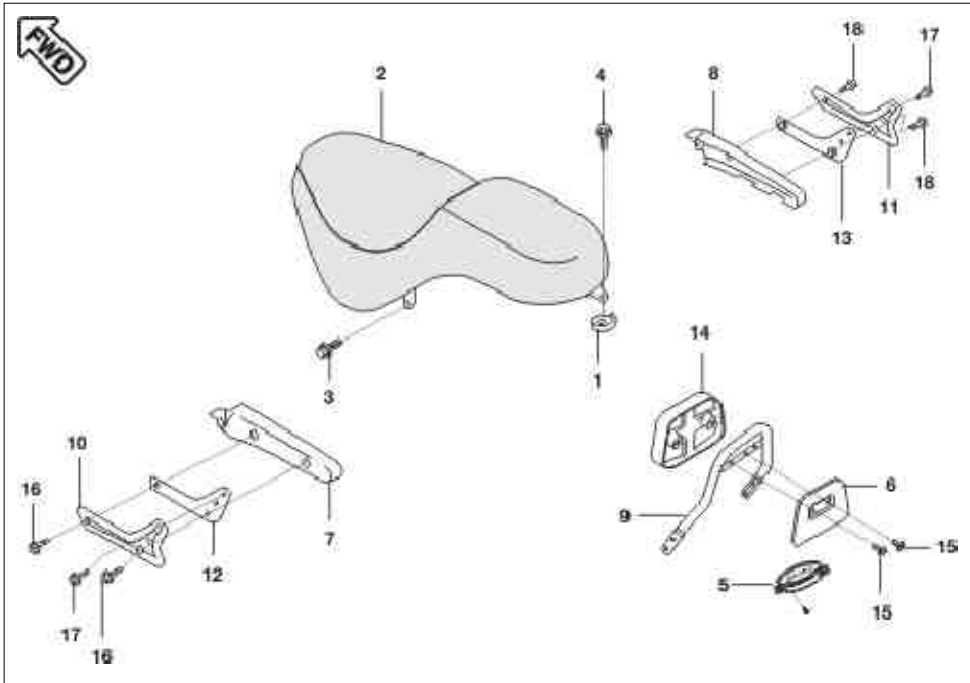


No.	Part No.	Description	Qty/ Veh.	Remarks
1	DG 1410 20	Bracket Fuel Tank Cover	1	
2	JM 1410 04	Cover Assly. Fuel Tank	1	
3	DK 1410 01	Fuel Cock Assly.	1	
4	DG 1410 52	Cap Tank Fuel	1	
5	DG 1410 59	Trim	1	
6	39 2179 24	Washer	2	
7	30 2110 05	Collar	2	
8	DG 1410 28	Clamp	1	
9	DG 1410 43	Clamp, Tube	1	
10	30 1410 31	Ring 'O'	2	
11	30 1410 39	Ring 'O' Fuel Tap Packing	1	
12	DG 1410 24	Plug	2	
13	DG 1410 25	Damper	2	
14	30 1410 26	Damper Fuel Tank	2	
15	DG 1410 19	Damper	2	

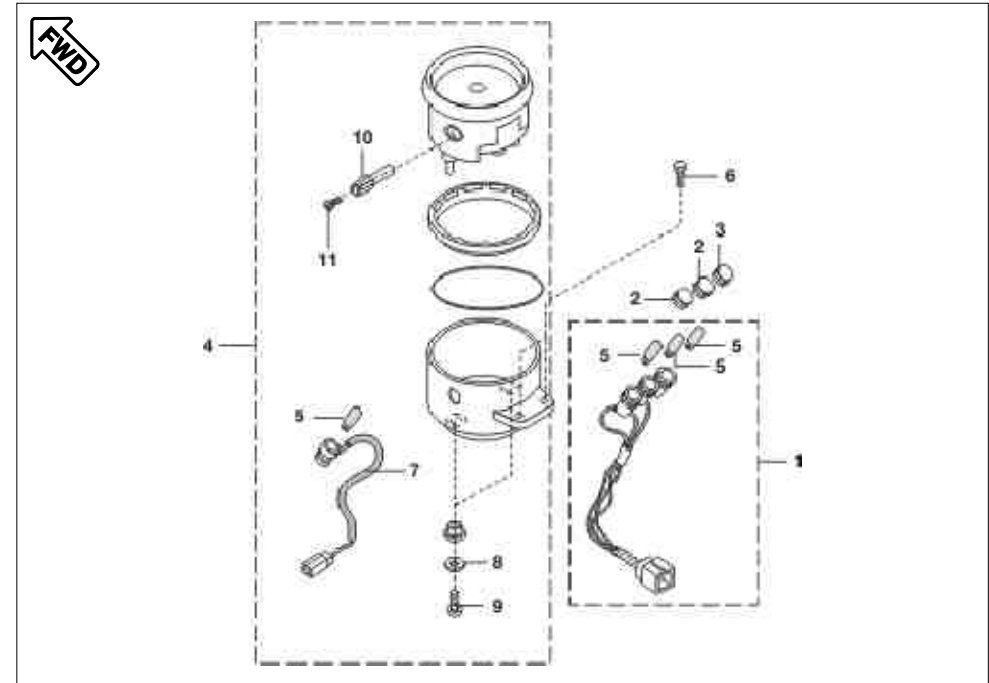


No.	Part No.	Description	Qty/ Veh.	Remarks
16	DG 1410 26	Bolt	2	
17	DG 1410 29	Tube	1	
18	DG 1410 27	Washer	2	
19	39 1912 04	Bolt Flanged	2	
20	39 1913 04	Bolt Flanged	2	
21	39 0761 01	Screw Pan Cross	2	
22	JM 2010 03	Tank Unit	1	
	JM 2010 04	Fuel gauge sender	1	
23	JM 2010 05	Fuel meter	1	

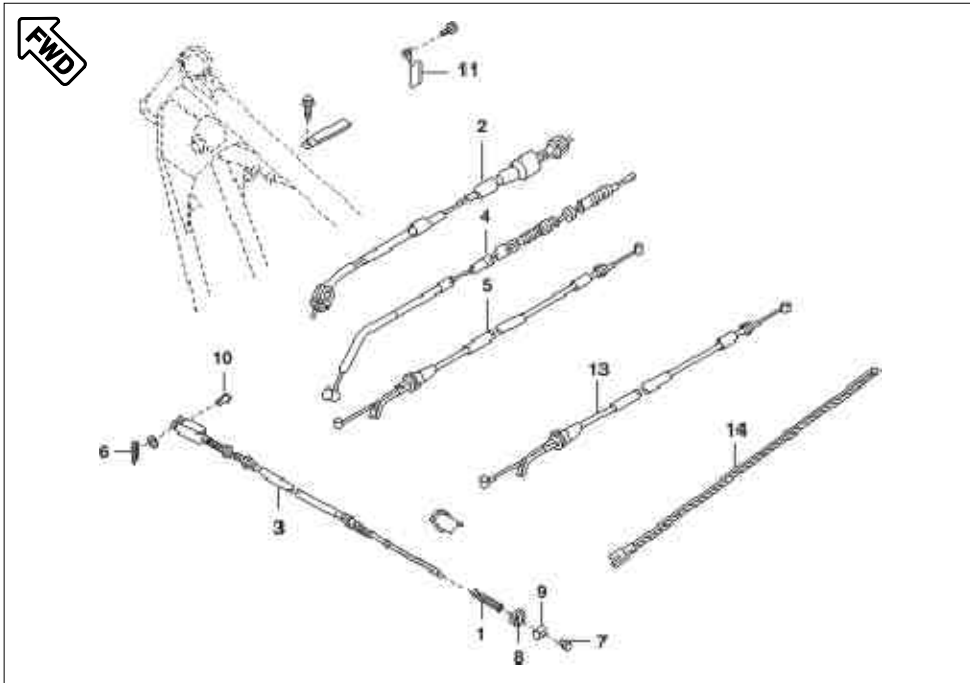




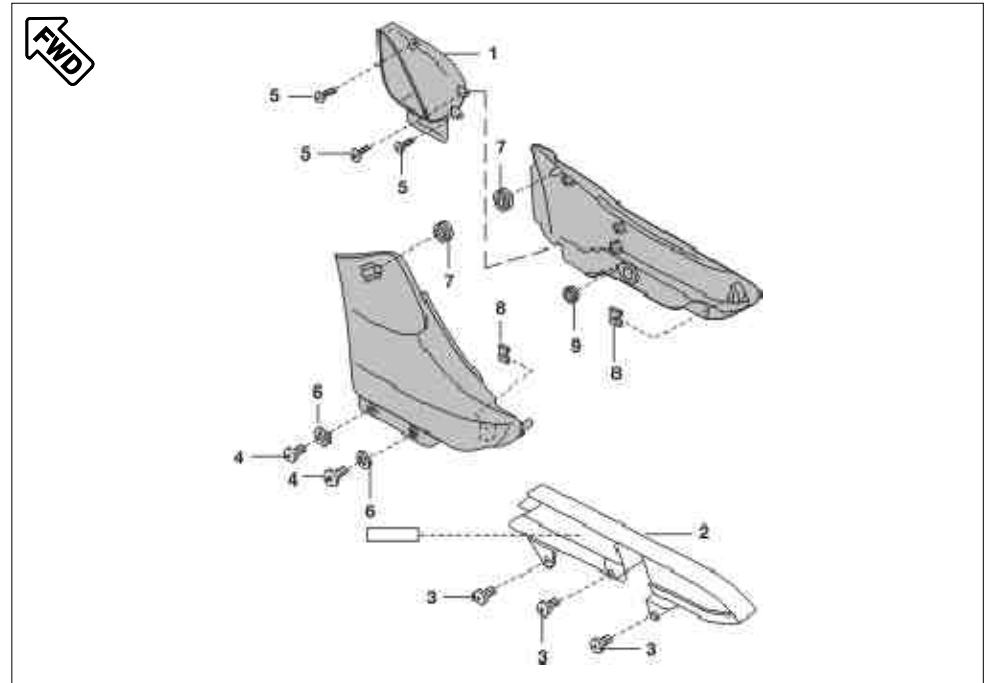
No.	Part No.	Description	Qty/ Veh.	Remarks
1	DG 2110 07	Plate Seat	1	
2	DG 2110 01	Seat Assly.	1	
3	39 1942 04	Bolt Flanged	2	
4	39 1949 04	Bolt Flanged Small	1	
5	DV 2210 01	Emblem Back Rest	1	
6	DG 2210 28	Cover, Pad	1	
7	DG 1611 82	Cover, Rear Fender LH	1	
8	DG 1611 83	Cover RH	1	
9	DG 2210 22	Grip frame rear	1	
10	DG 2210 31	Cover Grip frame LH	1	
11	DG 2210 32	Cover Grip frame RH	1	
12	DG 2210 16	Grip frame LH	1	
13	DG 2210 19	Grip frame RH	1	
14	DG 2210 27	Pad seat	1	
15	39 2206 04	Bolt Upset	2	
16	39 1952 04	Bolt flanged Small	4	
17	39 1951 04	Bolt Flanged Small	4	



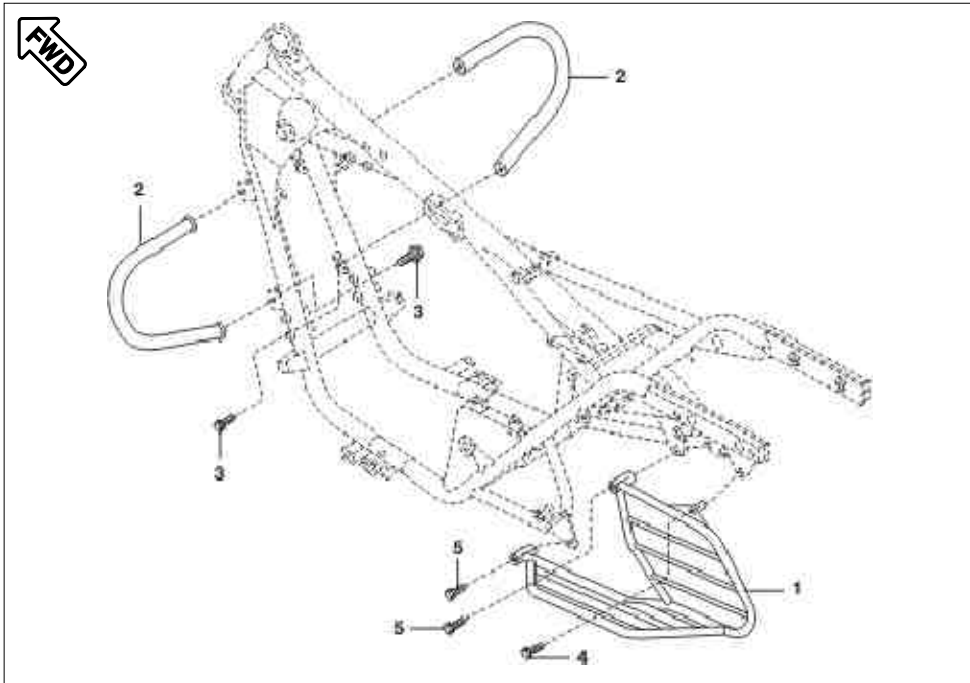
No.	Part No.	Description	Qty/ Veh.	Remarks
1	DG 1910 69	Lamp Assly	1	
2	DG 1910 03	Lens - TPI & Neutral	2	
3	DG 1910 05	Lens - Hi Beam	1	
4	DV 1910 08	Meter Assly.	1	
5	DG 2010 40	Lamp 12V - 3.4 W	4	
6	39 1953 04	Bolt Flanged Small	2	For Meter Assly.
7	DG 1910 93	Assly. lamp holder	1	
8	DG 1910 95	Washer	2	For Machine mtg.
9	DG 1910 96	Screw pan head	2	For Machine mtg.
10	DG 1910 97	Trip meter knob	1	
11	DG 1910 98	Screw (Knob reset trip meter)	1	



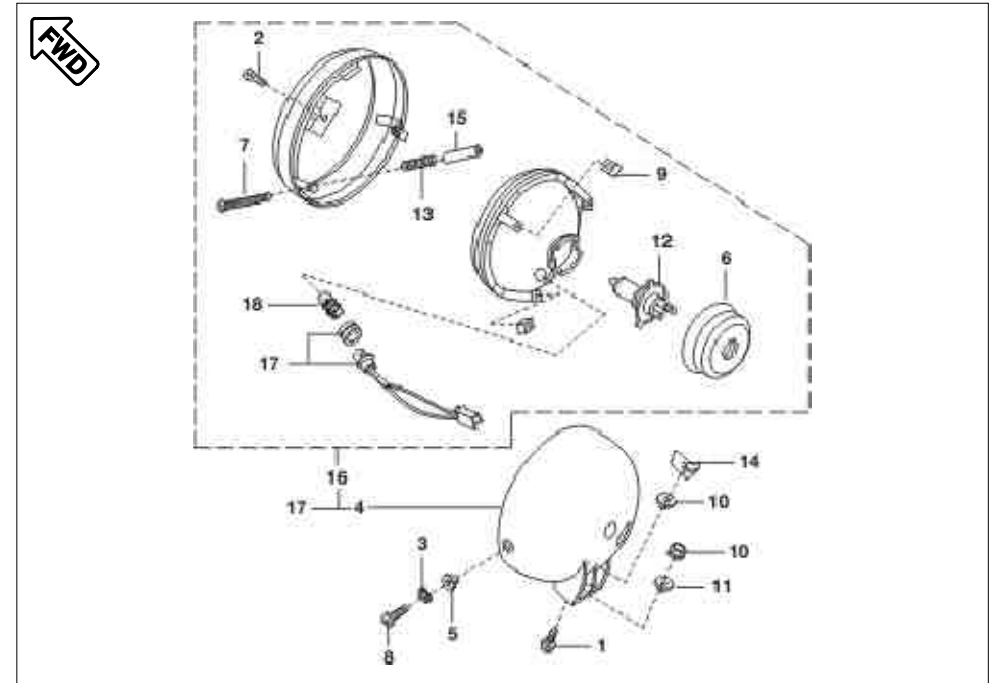
No.	Part No.	Description	Qty/ Veh.	Remarks
1	30 1910 35	Spring, Brake Rod	1	
2	DV 1910 05	Cable- Speedometer	1	
3	JM 1910 05	Cable Brake	1	
4	DV 1910 02	Cable Clutch	1	
5	DV 1910 04	Cable Throttle	1	
6	39 0146 08	Pin Cotter	1	
7	30 1910 36	Nut Brake Rod	1	
8	DG 1910 66	Washer	1	
9	DG 1910 50	Pin Brake Rod	1	
10	DG 1910 51	Pin	1	
11	DV 1910 06	Clamp Clutch cable	1	
12	JC 1610 27	Guide clutch cable	1	
13	DV 1910 03	Choke cable	1	
14	DV 1910 09	Speedometer inner cable	1	



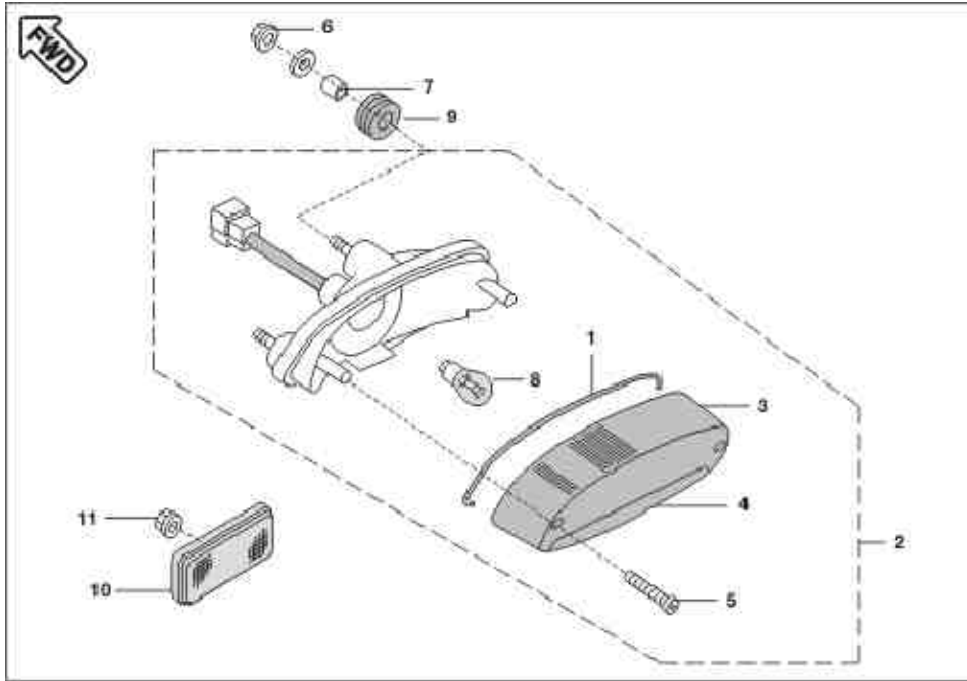
No.	Part No.	Description	Qty/ Veh.	Remarks
1	DG 1611 69	Cover Side RH Rear	1	
	DG 1611 16	Cover Side LH Rear	1	
2	DG 1611 20	Case Chain	1	
3	DG 1611 21	Screw Tapping	3	
4	39 1076 01	Screw	2	
5	DG 1611 17	Screw	3	
6	31 1610 78	Washer	2	
7	DG 1611 18	Grommet	2	
8	DD 1610 22	Damper	2	
9	DG 1611 19	Damper	1	



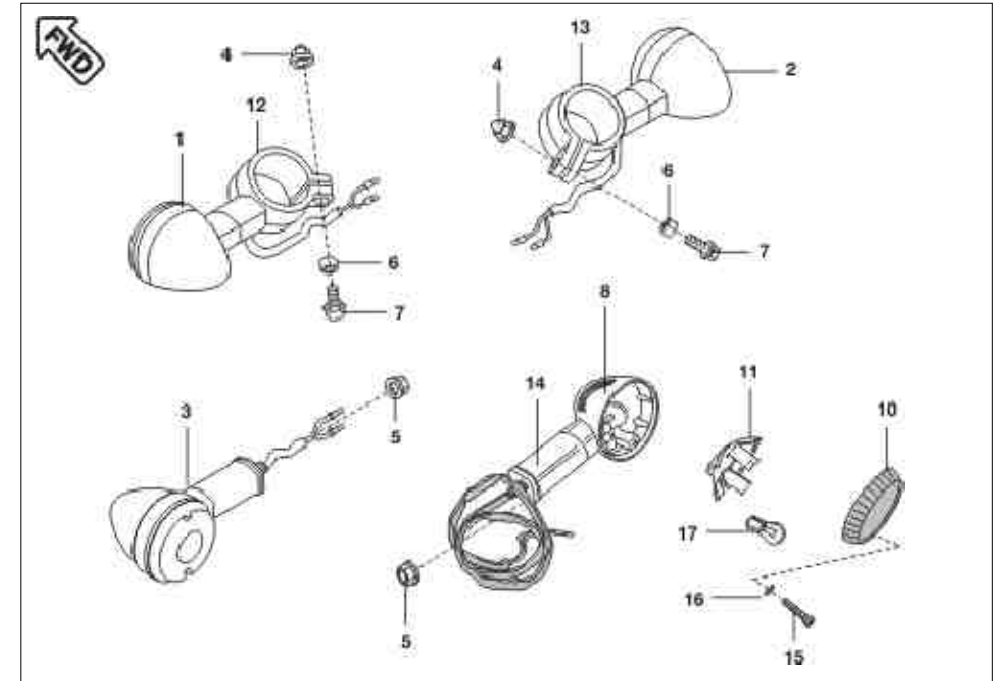
No.	Part No.	Description	Qty/ Veh.	Remarks
1	DG 2210 33	Guard Sari	1	
2	JM 1610 17	Guard- Front Bumper	2	
3	39 1940 04	Bolt Flanged	4	
4	39 1814 04	Bolt Flanged	1	
5	39 1941 04	Bolt Flanged	2	
6	52 JM00 18	Frame wind shield assly	1	N.I.
7	DD 2010 11	Damper	4	
8	JM 1810 07	Wind Shield with grommet	1	N.I.



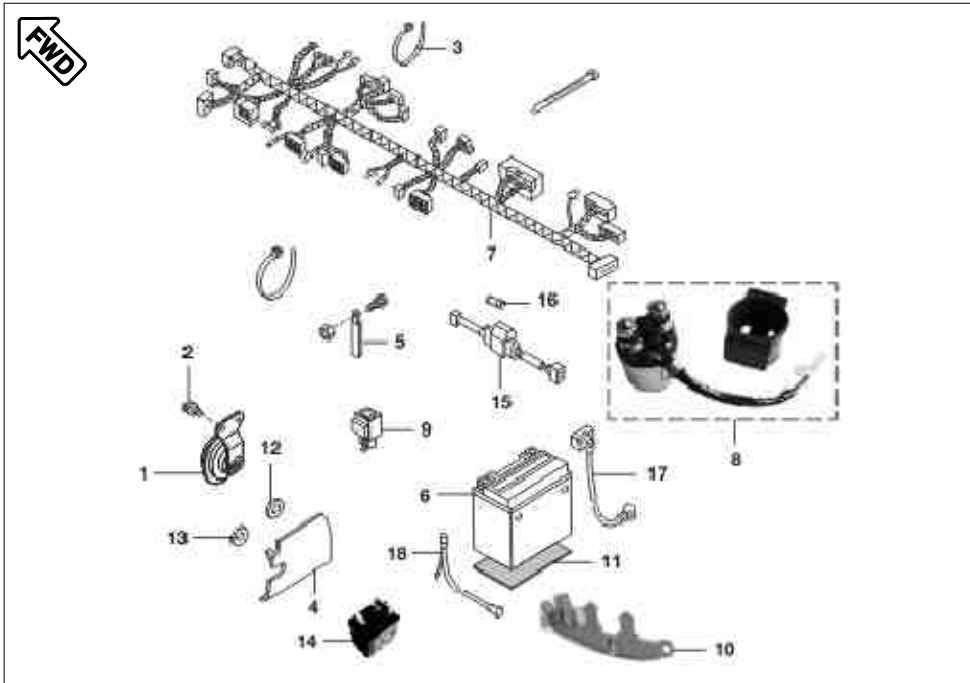
No.	Part No.	Description	Qty/ Veh.	Remarks
1	39 2029 04	Bolt Flanged	2	
2	DG 2010 66	Screw Pan Cross	1	For holding head light
3	39 0790 12	Spring Washer	2	
4	DG 2010 10	Body Comp. Head Lamp	1	
5	30 2010 33	Washer	2	For mtg. Head light on body
6	DG 2010 68	Cap for Head lamp	1	
7	DG 2010 69	Screw Focus Adjust	2	
8	DG 2010 43	Screw	2	For mtg. Head light on body
9	DG 2010 70	Nut	1	For holding head light
10	DG 1910 64	Nut Flanged	1	
11	DG 2010 57	Collar	2	For Head Light Mtg.
12	DG 2010 71	Lamp 12V - 60/55W	1	
13	DG 2010 72	Spring Focus Adjust	2	
14	DG 2010 12	Clamp Harness	1	
15	DG 2010 73	Tube	2	
16	DV 2010 10	Head Lamp Assly.	1	
17	DG 2010 74	Wire assly. parking	1	
18	DG 2010 40	Lamp 12V - 4W	1	Imported bulb 'E' mark



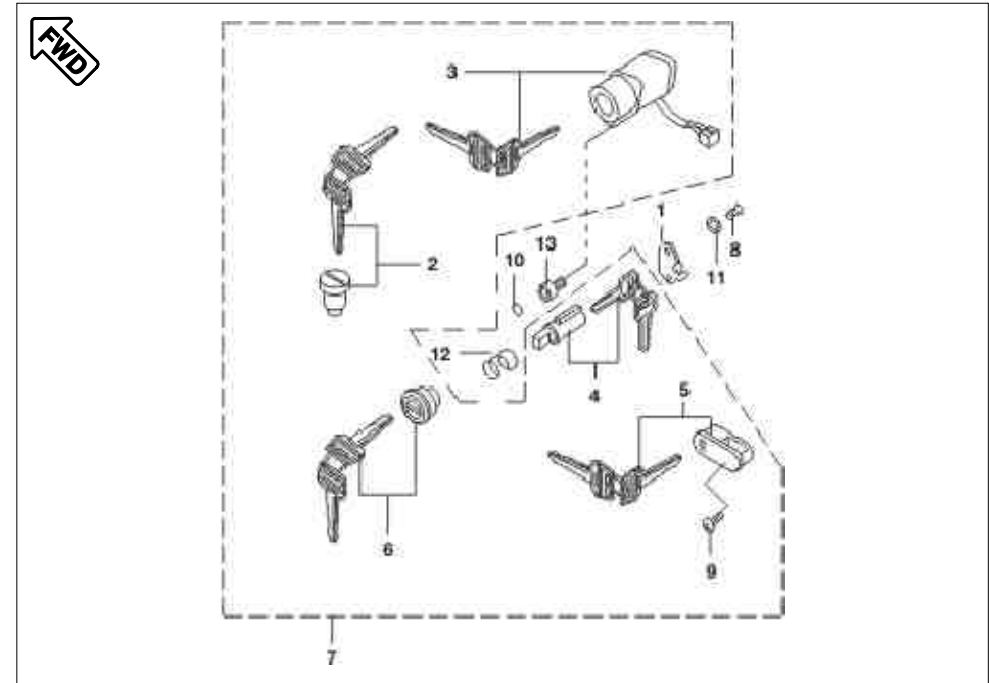
No.	Part No.	Description	Qty/ Veh.	Remarks
1	DG 2010 75	Gasket Tail Lamp Lens	1	
2	DV 2010 11	Tail Lamp Assly.	1	
3	DG 2010 49	Lens Tail Lamp- Red	1	
4	DG 2010 50	Lens Tail Lamp- Clear	1	
5	DG 2010 76	Screw Tapping	2	
6	DG 1910 64	Nut Flanged	3	
7	31 2010 01	Collar	3	
8	20 2010 29	Lamp 12V - 21/5W	1	
9	DG 2010 15	Damper	3	
10	DD 2010 02	Reflector Reflex	1	
11	39 1972 15	Nut Flanged	1	



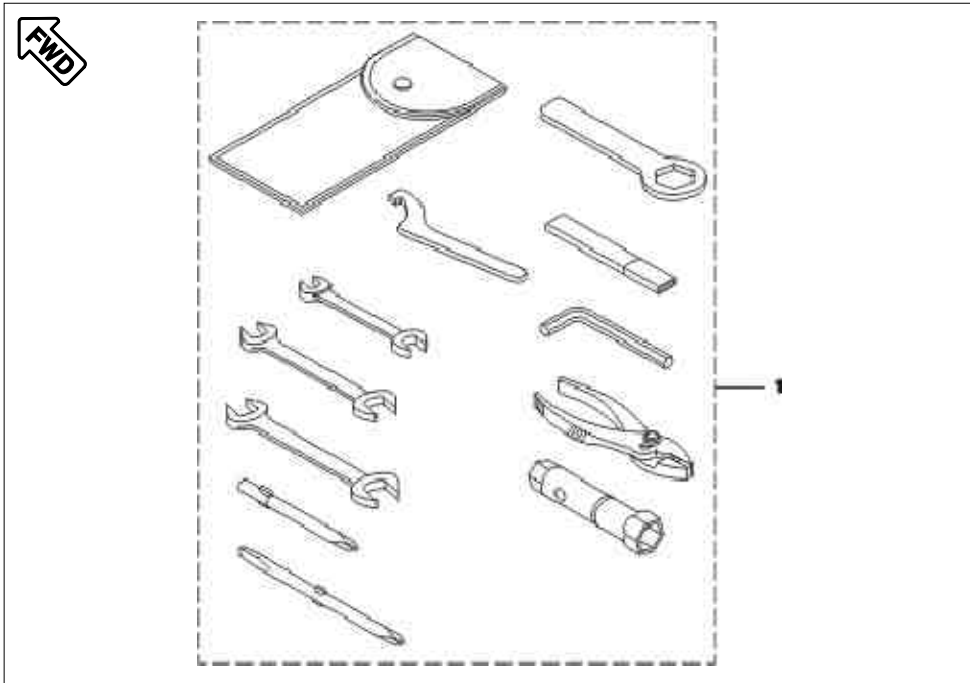
No.	Part No.	Description	Qty/ Veh.	Remarks
1	DV 2010 12	Lamp Assly Signal FR. LH	1	
2	DV 2010 13	Lamp Assly Signal FR. RH	1	
3	DV 2010 14	Lamp Assly Signal Rear. LH	1	
4	39 1971 15	Nut Cap	2	
5	39 1225 15	Nut Flanged	2	
6	31 2010 01	Collar	2	
7	39 1950 04	Bolt Flanged Small	2	
8	DV 2010 15	Lamp Assly. Signal Rear RH	1	
9	DG 2010 51	Housing Signal Light	4	
10	DG 2010 52	Lens Signal Light	4	
11	DG 2010 53	Reflector Signal Light	4	
12	DG 2010 54	Stay Signal Light Fr. LH	1	
13	DG 2010 55	Stay Signal Light Fr. RH	1	
14	DG 2010 56	Stay Signal Light Rear	2	
15	DG 2010 77	Screw Signal Light	8	
16	DG 2010 78	Washer Signal Light Light	8	
17	20 2010 51	Lamp 12V-21W	4	



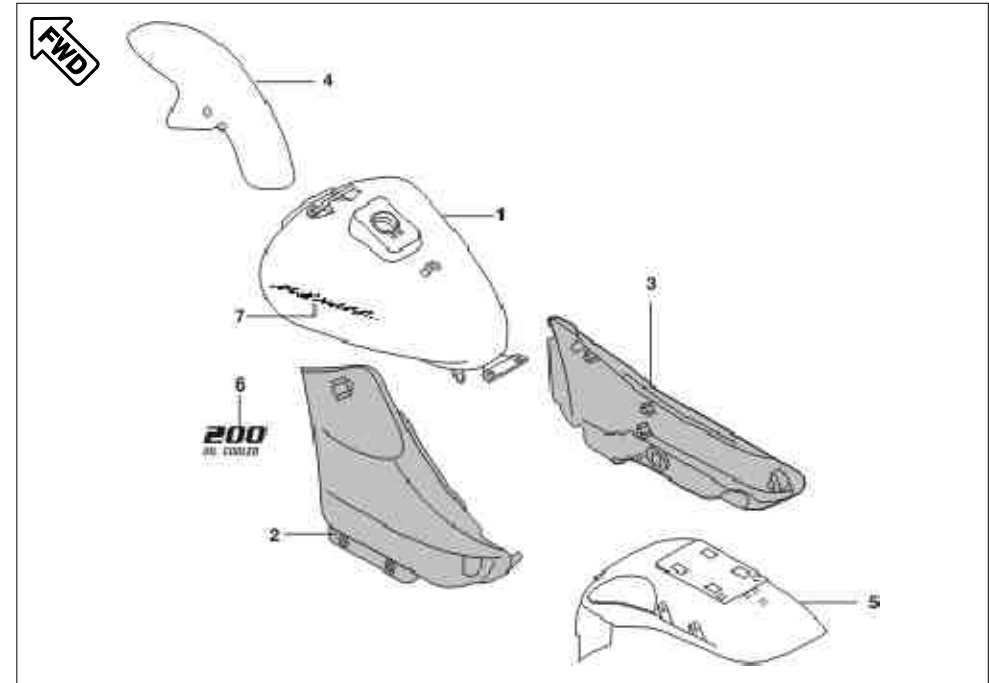
No.	Part No.	Description	Qty/ Veh.	Remarks
1	JM 2010 02	Horn	1	
2	39 1912 04	Bolt Flanged	2	
3	30 1910 48	Band	2	
4	DG 1611 69	Cover Head Gusset	1	
5	31 2010 21	Clamp wiring harness	1	
6	DJ 2011 25	Battery 12V 9Ah charging	1	
7	JM 2010 01	Wiring Harness	1	
	JM 2010 11	Wiring Harness	1	For solenoid relay July 08
8	AP 2010 29	Starter Relay Assly.	1	
	DV 2010 16	Starter Relay Assly.	1	For solenoid relay July 08
9	30 2010 57	Relay Turn Signal	1	
10	DV 1610 36	Band Battery Bracket	1	
11	DG 2010 27	Mat Battery	1	
12	30 1611 69	Grommet	1	
13	DG 1611 18	Grommet	1	
14	DJ 2010 28	Relay for Interlock	1	
15	DG 2010 32	Fuse Assly.	1	
16	30 2010 85	Fuse	3	
17	DV 2010 05	Cable Assly. (Batt. to Starter Rly.)	1	
18	DV 2010 06	Cable Assly. (Battery to Earth)	1	
19	36 JM00 05	Relay Conversion Kit	1	N.I.



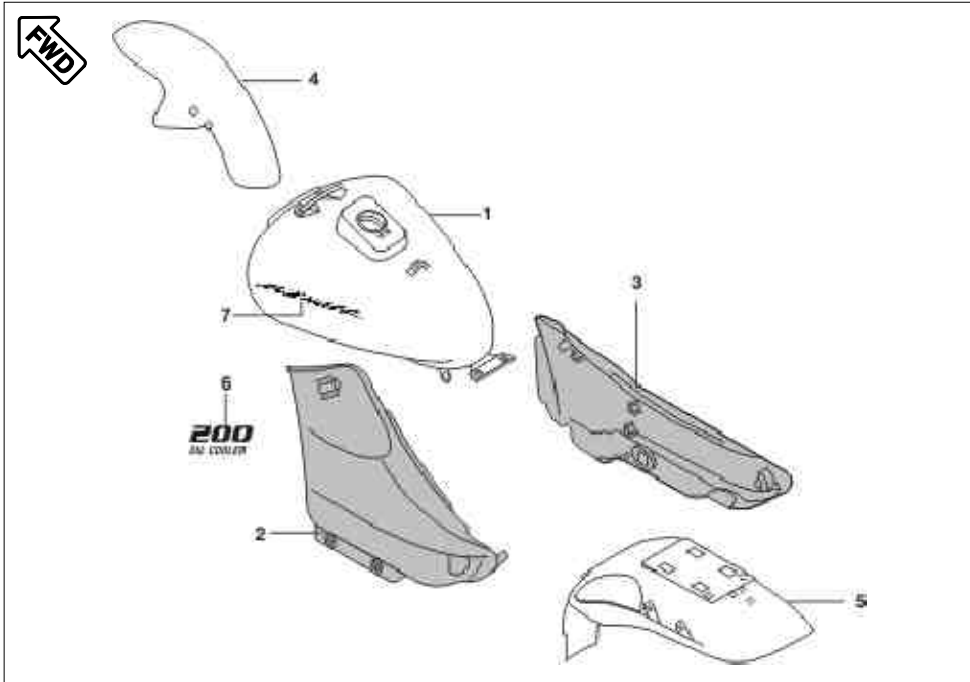
No.	Part No.	Description	Qty/ Veh.	Remarks
1	DG 1810 55	Cap, Steering Lock	1	
2	DG 1410 17	Rotor, Lock, Tank Cap	1	
3	DV 2010 02	Switch Assly. Ignition	1	
4	DG 1810 56	Lock Assly Steering	1	
5	DG 2210 09	Lock Assly Helmet	1	
6	DG 1611 68	Lock Assly Side Cover	1	
7	JM 1810 03	Lock Set (5 in 1)	1	
8	DG 1810 57	Screw	1	
9	DG 2210 10	Screw	1	
10	DG 2010 23	Plug	1	
11	DG 1810 58	Washer Wave	1	
12	DG 1810 59	Spring Steering Lock	1	
13	39 1975 04	Bolt Socket	1	



No.	Part No.	Description	Qty/ Veh.	Remarks
1	DG 2210 39	Tool Kit	1	



No.	Part No.	Description	Qty/ Veh.	Remarks
1	JM 7101 X3	Tank fuel with decal	1	Ebony black
	JM 7101 2T	Tank fuel with decal	1	Tittanium Silver
	JM 7101 2V	Tank fuel with decal	1	Cocktail wine Red
	JM 7101 3A	Tank fuel with decal	1	Long Beach Blue
2	JM 7301 X3	Cover side left with decal	1	Ebony black
	JM 7301 2T	Cover side left with decal	1	Tittanium Silver
	JM 7301 2V	Cover side left with decal	1	Cocktail wine Red
	JM 7301 3A	Cover side left with decal	1	Long Beach Blue
3	JM 7302 X3	Cover side right with decal	1	Ebony black
	JM 7302 2T	Cover side right with decal	1	Tittanium Silver
	JM 7302 2V	Cover side right with decal	1	Cocktail wine Red
	JM 7302 3A	Cover side right with decal	1	Long Beach Blue



No.	Part No.	Description	Qty/ Veh.	Remarks
4	DV 7303 X3	Fender assy. front	1	Ebony Black
	DV 7303 2T	Fender assy. front	1	Tittanium Silver
	DV 7303 2V	Fender assy. front	1	Cocktail wine Red
	DV 7303 3A	Fender assy. front	1	Long Beach Blue
5	DV 7304 X3	Fender rear	1	Ebony Black
	DV 7304 2T	Fender rear	1	Tittanium Silver
	DV 7304 2V	Fender rear	1	Cocktail wine Red
	DV 7304 3A	Fender rear	1	Long Beach Blue
6	JM 1610 27	Oil Cooled decal	1	For Black, Blue & Red
	JM 1610 28	Oil Cooled decal	1	For Silver
7	JM 1410 06	Tank Decal	1	

Sr. No.	Kit Part No.	Kit Description	Consisting of Following Parts		
			Part No.	Discription	Qty./Kit
1	36DS1001	Cyl.Head O Ring Kit	39239121	O Ring (Cover tappet)	2
			39128321	O ring	2
2	DK101327	Valve Kit	DK101052	Valve Intake	1
			DK101011	Valve Exhaust	1
3	DK101326	Valve Repair Kit	DK101247	Retainer valve spring	2
			DK101108	Spring valve inner	2
			DK101110	Spring valve outer	2
			DK101246	Seat valve spring	2
4	JC101038	Guide Chain Kit	DH101017	Guide chain (Tight)	1
			DK101059	Guide Chain (slack)	1
5	36DK0029	Set primary Drive/Driven	DK101241	Clutch Housing	1
			DH101628	Gear Primary Drive	1
6	36DK0007	Kit Centrifugal Oil Filter	39220011	Washer	1
			DH101234	Gasket Centrifugal Oil Filter	1
			39226701	Oval Screw	1
			DH101066	Join Oil Deliver	1
			DH101067	Spring Oil Deliver	1
			39219908	Pin Oil Deliver Joint	1
7	36JM0001	Set Damper	DH101282	Damper Cover Magneto	1
			DH101292	Damper A Cover LH RR	1
			DH101294	Damper B Cover LH RR	1
			JM100040	Damper C Cover LH RR	1
8	36JM0002	Set of Plate	DH101283	Plate Damper for Cover Mgt.	1
			DH101293	Plate Damper Cover LH Rear	1
			JM100041	Plate Damper Cover LH RR	1
9	DV111008	H.T.Coil Kit	DV111002	H.T.Coil LH	1
			DV111002	H.T.Coil RH	1
10	36DV0007	Steering cone kit	DG181045	Bearing Cone Upper	1
			DG181046	Bearing race Upper	1
			DG181047	Bearing race Lower	1
			DG181005	Bearing Cone	1
11	36JM0003	Chain Sprocket Kit	JM151001	Sprocket (38 T)	1
			JM151002	Chain	1
			DV101048	Sprocket	1
12	JM120008	Jet Kit	JM120004	Main Jet	1
			JM120007	Needle Jet	1





## PART INDEX



Part No.	Figure No.	Page No.
20201029	8	56
20201051	17	57
30101014	11	13
30101061	21	9
30101236	6	28
30101236	24	16
30141026	14	48
30141031	10	48
30141039	11	48
30151009	7	38
30151069	16	39
30151076	8	38
30151082	12	38
30151113	11	36
30161169	12	58
30191017	19	45
30191024	16	45
30191035	1	52
30191036	7	52
30191048	3	58
30201033	5	55
30201057	9	58
30201085	16	58
30211005	7	48
31101106	11	1
31101106	15	13
31101173	4	6
31161078	6	53
31201001	6	57
31201001	7	56
31201021	5	58
31201081	16	14
39014608	6	52
39014608	11	33
39014808	23	39
39029115	8	34
39029115	16	30
39029215	3	40
39074601	6	25
39075201	7	13
39076101	4	25
39076101	21	49
39078912	27	45
39079012	3	55

Part No.	Figure No.	Page No.
39079012	7	34
39079708	7	35
39080015	4	37
39080708	8	40
39099906	4	17
39099906	10	15
39104119	3	15
39106204	24	9
39107404	13	27
39107504	9	1
39107601	4	53
39122411	12	31
39122515	4	40
39122515	5	57
39122515	6	23
39128321	5	2
39150611	26	45
39150711	2	21
39162011	9	7
39166005	2	2
39167204	3	7
39167204	3	21
39167204	6	27
39167304	13	4
39167404	2	20
39167404	3	25
39167404	8	2
39167404	11	7
39167404	14	2
39167704	18	14
39168004	21	26
39168606	4	20
39168606	8	7
39176511	5	34
39178001	12	22
39181404	4	54
39182912	7	32
39188020	4	4
39188020	10	18
39190204	19	26
39191204	2	58
39191204	19	30
39191204	19	49
39191304	20	49

## PART INDEX



Part No.	Figure No.	Page No.
39191515	17	39
39191604	22	39
39194004	3	54
39194104	5	54
39194204	3	50
39194304	6	34
39194304	12	46
39194404	20	30
39194904	4	50
39195004	1	46
39195004	7	57
39195004	18	26
39195104	17	50
39195204	16	50
39195204	24	45
39195304	6	51
39195304	23	45
39195404	6	33
39196404	21	30
39196604	12	29
39197115	4	57
39197215	11	56
39197504	13	59
39199020	21	16
39199304	22	45
39199404	7	40
39199501	25	45
39199715	11	31
39199819	13	11
39201719	5	3
39202904	1	55
39204401	10	24
39204601	11	24
39213217	5	5
39215220	5	7
39215220	10	27
39215320	6	6
39215704	13	29
39215811	2	8
39216011	9	8
39216511	3	6
39217924	6	48
39218006	8	12
39218006	22	14

Part No.	Figure No.	Page No.
39218106	2	5
39218106	23	14
39218304	2	6
39218304	3	17
39218520	10	13
39218819	4	13
39219019	12	13
39219421	6	20
39220011	16	19
39220307	8	6
39220404	3	33
39220604	15	50
39220904	12	23
39222815	5	23
39222815	11	11
39224020	24	39
39224120	6	37
39224120	25	39
39224220	13	38
39228501	15	27
39230504	19	14
39230704	6	40
39231004	10	21
39235404	17	11
39240011	12	11
39242311	10	35
39243704	6	10
39243704	11	27
39244311	17	16
39244811	21	14
39245221	12	17
39245504	22	30
39253204	8	1
39254220	3	4
39254717	26	16
39255717	7	7
39258320	6	12
39260120	7	12
39260320	8	13
39260607	7	10
39260801	10	2
39264715	6	1
39264804	11	29
39266921	1	4

## PART INDEX



Part No.	Figure No.	Page No.
59040031	9	4
59040043	14	29
59050008	2	13
59050008	3	12
59100002	22	26
59110002	9	3
59200006	9	13
59200027	9	12
59210006	5	13
59210008	13	2
36DK0007	13	6
36DK0029	9	6
36DS1001	3	1
36DS1001	11	2
36DV0003	4	28
36JM0001	6	17
36JM0002	8	17
36JM0003	10	38
52DH0177	10	7
52DV0055	16	11
52JM0008	1	21
52JM0015	9	38
52JM0018	6	54
52JM0020	1	11
AP101043	10	17
AP201029	8	58
CS101128	14	4
DD101062	15	4
DD111011	9	25
DD111012	15	25
DD111048	13	25
DD161022	8	53
DD161071	4	35
DD201002	10	56
DD201011	7	54
DE151037	8	43
DE151043	9	43
DE151045	10	43
DE151046	6	43
DE151047	7	43
DE151048	5	43
DE151051	11	43
DE151052	12	43
DE191010	5	41

Part No.	Figure No.	Page No.
DE191011	4	41
DE191015	1	41
DE191023	15	42
DE191025	19	42
DE191026	20	42
DE191027	13	42
DE191028	12	42
DE191029	11	42
DE191030	10	41
DE191031	8	41
DE191032	9	41
DE191033	6	41
DE191034	7	41
DE191036	16	42
DE191037	17	42
DE191038	18	42
DE191044	2	41
DE201016	14	42
DF161248	9	34
DG101029	4	3
DG101187	6	11
DG101188	14	11
DG101245	2	23
DG101249	7	23
DG101250	8	23
DG101251	9	23
DG101253	11	23
DG101285	4	23
DG101339	5	11
DG101410	10	23
DG101417	3	23
DG101418	7	15
DG111008	7	25
DG121010	2	24
DG121012	3	24
DG121014	5	24
DG121023	9	24
DG121026	12	24
DG121028	4	24
DG141017	2	59
DG141018	4	48
DG141019	15	48
DG141020	1	48
DG141024	12	48

## PART INDEX



Part No.	Figure No.	Page No.
DG141025	13	48
DG141026	16	49
DG141027	18	49
DG141028	8	48
DG141029	17	49
DG141043	9	48
DG141059	5	48
DG151003	1	37
DG151004	5	37
DG151005	7	37
DG151007	8	37
DG151008	21	39
DG151009	3	37
DG151021	3	36
DG151025	7	36
DG151026	9	36
DG151028	1	43
DG151049	3	43
DG151053	18	39
DG151058	15	38
DG151059	4	38
DG151061	6	38
DG151062	19	39
DG151066	11	38
DG151067	20	39
DG151070	2	36
DG151071	4	36
DG151075	8	36
DG151076	10	36
DG151081	2	38
DG151084	1	38
DG151088	4	43
DG151089	2	43
DG151092	5	38
DG151093	6	36
DG151094	5	36
DG151095	14	38
DG151096	3	38
DG151097	1	36
DG161110	3	34
DG161116	1	53
DG161117	5	53
DG161118	7	53
DG161118	13	58

Part No.	Figure No.	Page No.
DG161119	9	53
DG161120	2	53
DG161121	3	53
DG161124	8	35
DG161129	3	35
DG161150	12	33
DG161152	13	33
DG161153	8	33
DG161154	1	29
DG161163	2	29
DG161164	3	29
DG161165	4	29
DG161166	15	29
DG161167	17	30
DG161168	6	59
DG161169	1	53
DG161169	4	58
DG161182	7	50
DG161183	8	50
DG161188	10	33
DG161189	9	33
DG161206	2	34
DG161219	2	35
DG161219	9	35
DG161224	18	30
DG161230	6	35
DG161264	7	33
DG161267	1	34
DG171015	3	31
DG171016	5	31
DG171017	7	31
DG171018	9	31
DG171019	10	31
DG171020	1	31
DG171021	4	31
DG171022	8	31
DG171025	6	32
DG171034	6	31
DG171035	2	32
DG171036	4	32
DG171037	3	32
DG171038	8	32
DG171039	5	32
DG181003	18	47

## PART INDEX



Part No.	Figure No.	Page No.
DG181004	23	47
DG181005	20	47
DG181006	28	47
DG181008	29	47
DG181009	26	47
DG181011	13	46
DG181012	3	46
DG181013	14	46
DG181014	6	46
DG181015	7	46
DG181021	24	47
DG181022	11	46
DG181023	21	47
DG181024	19	47
DG181026	22	47
DG181027	16	47
DG181034	2	46
DG181036	27	47
DG181042	2	28
DG181044	3	28
DG181044	30	47
DG181048	5	28
DG181052	17	45
DG181054	21	45
DG181055	1	59
DG181056	4	59
DG181057	8	59
DG181058	11	59
DG181059	12	59
DG181067	6	44
DG181069	4	44
DG181070	7	44
DG181071	8	44
DG181081	5	44
DG181085	17	47
DG181087	20	45
DG181088	25	47
DG181089	4	46
DG181091	10	46
DG181093	8	46
DG181095	9	46
DG191003	2	51
DG191005	3	51
DG191010	11	44

Part No.	Figure No.	Page No.
DG191012	29	45
DG191013	15	44
DG191014	18	45
DG191046	5	40
DG191047	2	40
DG191050	9	52
DG191051	10	52
DG191064	6	56
DG191064	10	55
DG191066	8	52
DG191069	1	51
DG191080	3	44
DG191093	7	51
DG191095	8	51
DG191096	9	51
DG191097	10	51
DG191098	11	51
DG191178	3	41
DG201010	4	55
DG201012	14	55
DG201015	9	56
DG201023	10	59
DG201027	11	58
DG201032	15	58
DG201040	5	51
DG201040	19	55
DG201043	8	55
DG201049	3	56
DG201050	4	56
DG201051	9	57
DG201052	10	57
DG201053	11	57
DG201054	12	57
DG201055	13	57
DG201056	14	57
DG201057	11	55
DG201058	17	55
DG201061	9	40
DG201066	2	55
DG201068	6	55
DG201069	7	55
DG201070	9	55
DG201071	12	55
DG201072	13	55

## PART INDEX



Part No.	Figure No.	Page No.
DG201073	15	55
DG201074	18	55
DG201075	1	56
DG201076	5	56
DG201077	15	57
DG201078	16	57
DG211001	2	50
DG211007	1	50
DG221009	5	59
DG221010	9	59
DG221016	12	50
DG221019	13	50
DG221022	9	50
DG221027	14	50
DG221028	6	50
DG221031	10	50
DG221032	11	50
DG221033	1	54
DG221038	13	23
DG221039	1	60
DH101006	5	12
DH101013	7	11
DH101048	8	4
DH101064	10	6
DH101065	12	6
DH101072	2	7
DH101079	4	8
DH101079	13	8
DH101084	8	8
DH101111	15	8
DH101134	4	7
DH101141	4	15
DH101142	5	15
DH101143	2	11
DH101146	3	10
DH101154	12	15
DH101157	11	17
DH101163	18	27
DH101164	16	27
DH101170	5	27
DH101171	7	27
DH101172	8	27
DH101195	11	6
DH101197	2	15

Part No.	Figure No.	Page No.
DH101199	5	25
DH101203	13	13
DH101225	10	11
DH101235	5	8
DH101272	10	1
DH101275	1	18
DH101319	18	9
DH101323	13	17
DH101333	19	9
DH101336	11	8
DH101372	14	27
DH101383	4	12
DH101388	7	17
DH101388	19	16
DH101392	11	4
DH101401	4	27
DH101412	7	4
DH101414	3	5
DH101472	9	27
DH101482	22	16
DH101487	10	12
DH101493	4	10
DH101496	9	10
DH101503	8	11
DH101508	4	2
DH101510	18	16
DH101533	2	27
DH101544	16	16
DH101607	16	23
DH101648	14	19
DH101661	14	13
DH101781	3	27
DH101782	1	27
DH101784	17	14
DH111012	9	2
DH111013	16	26
DH111015	14	25
DH111016	12	25
DH121001	1	20
DH121010	3	20
DH121011	14	15
DH121012	15	15
DH121015	13	15
DH121035	5	20

## PART INDEX



Part No.	Figure No.	Page No.
DH121038	7	2
DH191007	10	44
DH191008	9	44
DJ101022	1	7
DJ101063	23	9
DJ101109	17	27
DJ101133	6	7
DJ101217	2	1
DJ121051	2	22
DJ121052	3	22
DJ121053	5	22
DJ121054	6	22
DJ121055	7	22
DJ121058	14	22
DJ121059	15	22
DJ161012	9	17
DJ161067	20	26
DJ201021	20	14
DJ201028	14	58
DJ201102	10	25
DJ201125	6	58
DK101001	4	18
DK101003	3	2
DK101057	2	12
DK101063	1	5
DK101072	12	19
DK101073	2	18
DK101075	3	18
DK101076	1	15
DK101078	15	19
DK101094	3	13
DK101097	6	13
DK101102	6	8
DK101103	3	8
DK101104	7	8
DK101105	12	8
DK101106	14	8
DK101107	17	9
DK101118	16	9
DK101122	23	16
DK101123	25	16
DK101125	1	8
DK101126	13	19
DK101135	10	10

Part No.	Figure No.	Page No.
DK101145	10	8
DK101149	6	18
DK101150	6	18
DK101151	7	18
DK101152	8	18
DK101153	17	19
DK101154	9	18
DK101155	18	19
DK101157	5	10
DK101159	1	10
DK101160	2	10
DK101163	5	18
DK101235	7	5
DK101236	8	5
DK101237	7	21
DK101237	9	5
DK101245	20	9
DK101248	7	6
DK101251	6	15
DK101252	11	15
DK101255	6	18
DK101326	6	3
DK101327	7	3
DK101328	4	5
DK101338	11	19
DK101356	19	19
DK101361	8	10
DK101366	6	21
DK111009	12	27
DK141001	3	48
DK161081	8	21
DP161144	31	47
DP161145	4	34
DS101084	7	1
DS101096	5	1
DS101154	5	6
DS101166	4	1
DS101215	8	15
DS101276	6	4
DS101333	3	3
DS101335	1	3
DS101336	2	3
DS101353	9	15
DS101366	8	3

## PART INDEX



Part No.	Figure No.	Page No.
DV101034	15	11
DV101035	15	23
DV101039	4	11
DV101042	2	17
DV101044	3	11
DV101045	9	11
DV101048	22	9
DV101056	17	23
DV101057	14	23
DV111001	8	25
DV111008	11	25
DV121005	8	24
DV121007	6	24
DV151009	2	37
DV161013	5	29
DV161017	1	35
DV161033	5	35
DV161036	10	58
DV161045	2	33
DV161046	1	33
DV161047	14	33
DV171001	1	32
DV181001	15	46
DV181003	2	44
DV181013	5	46
DV191002	4	52
DV191004	5	52
DV191005	2	52
DV191006	11	52
DV191008	4	51
DV201002	3	59
DV201004	12	44
DV201005	17	58
DV201006	18	58
DV201009	17	26
DV201010	16	55
DV201011	2	56
DV201012	1	57
DV201013	2	57
DV201014	3	57
DV201015	8	57
DV221001	5	50
DV73032T	4	62
DV73032V	4	62

Part No.	Figure No.	Page No.
DV73033A	4	62
DV7303X3	4	62
DV73042T	5	62
DV73042V	5	62
DV73043A	5	62
DV7304X3	5	62
JC101001	1	6
JC101022	2	4
JC101034	12	4
JC101035	10	4
JC101038	5	4
JC101040	20	16
JC120003	6	2
JC120010	13	22
JC120011	8	22
JC201005	11	22
JC201006	10	22
JM100001	1	12
JM100006	12	2
JM100012	1	13
JM100020	4	21
JM100021	5	21
JM100033	1	23
JM100038	1	17
JM100039	5	17
JM100042	1	1
JM100042	1	2
JM100043	6	5
JM111002	2	25
JM111004	1	25
JM120001	7	24
JM120002	1	24
JM120003	1	22
JM120005	16	22
JM120006	4	22
JM120008	9	22
JM141004	2	48
JM141006	7	62
JM161002	7	29
JM161003	8	29
JM161004	6	29
JM161005	9	29
JM161006	10	29
JM161015	4	33

