

All information contained in this manual is based on the latest product information at the time of publication. Bajaj Auto Limited accepts no liability for any inaccuracies or omissions in this publication, although every possible care has been taken to make it as complete and accurate as possible. All procedures and specifications subject to change without prior notice. The right is reserved to make such changes at any time without prior notice and without incurring an obligation to make such changes to product manufactured previously. Contact your authorized Bajaj Dealer for the latest information on product improvements incorporated after this manual was issued.

**DOC. NO.: 71110697**

**REV. 00 DEC. 08**

We have pleasure in presenting the Spare Parts Catalogue for 'Bajaj **PLATINA 125cc DTS-Si**' Motorcycle. This catalogue has been specially designed to assist you in selecting the correct parts for procurement to maintain 100% availability.

The Bajaj spares are subjected to the stringent quality control standards to ensure longer life of the vehicle. It is therefore necessary that only the Genuine Bajaj Spares are used.

In a continual effort to improve Performance and Efficiency of the vehicles, Specifications, Diagrams, Illustrations and Part Numbers can change without notice. Consequently, the description in this Spare Parts Catalogue cannot therefore be final and binding on us.

The modifications / alterations which are carried out after the issue of this catalogue, will be conveyed to you through our Service Circulars. You are requested to make necessary corrections in the Parts Catalogue as per the circulars so as to keep your catalogue up-to-date. This will ensure the appropriate and speedy delivery of the Spare Parts as the order placed will bear the latest part numbers.

In case, if you need any technical assistance contact the concerned Regional Office or write to us on the following address :

**Bajaj Auto Limited**  
**Service Department**

Akurdi, Pune 411 035 India

Phone : 020-27406557

Fax : 020-27407385

E-mail : [service@bajajauto.co.in](mailto:service@bajajauto.co.in)

## Instructions for using the Catalogue



- 1. How to Read the Catalogue :** Open the catalogue and from the pictorial index locate the group in which the part you want to find is present. Turn over to the concerned page number (as given by pictorial index). Now find out the figure of the part you wish to order. Write down the part number against that particular figure number from the text.

In case, if you have the part number and you need the other details, the part index can be used. The part index (at the end of the catalogue) will give you the figure and page number of the part you wish to order.

- 2. How to Order Spare Parts :** The part number and the description of the part required should be invariably mentioned in the order as per the catalogue text.

The latest part number as conveyed through our service circulars should only appear on the order. In case of ordering painted components, colour shade of the components should be mentioned.

The quantity shown against the part number is the quantity per vehicle for that group so that particular quantity should be multiplied by the number of sets required.

- 3. Part Number System:** We have used 8 digit system for part numbers. The model or hardware item is indicated by first two digits or alphanumeric, the next two or four digits indicate main group and the last four or two digits indicate serial number in main group or serial number or subgroup of fastener respectively. Thus the part numbers will be indicated by 2-2-4 or 2-4-2 digit system. Understanding this system will enable you to identify the spare parts easily.

- 4. Abbreviations :** The following abbreviations are used in this catalogue.

assly.	Assembly	V	Volts
N.I.	Not illustrated	W	Watts
C'case	Crankcase	accl.	Accelerator
Cyl	Cylinder	Comp.	Complete
o/s.	Over size	Fr	Front
Std.	Standard	L	Length
A/t.	Alternate	Rr	Rear
R.H.	Right hand	Hex.	Hexagonal
L.H.	Left hand	AR	As required

## INDEX



No.	Description	Page No.	No.	Description	Page No.
1	Cover Cylinder head	1	30	Tyre / Tube / Rim	35
2	Cylinder Head	2	31	Front Hub	36&37
3	Rocker Arm / Valve	3	32	Rear Hub	38&39
4	Camshaft Tensioner	4	33	Brake Pedal	40
5	Cylinder & Piston	5	34	Handle Bar	41&42
6	Crankshaft	6	35	Front Fork	43&44
7	Transmission	7 & 8	36	Painted Parts	45&46
8	Change Drum / Shift Fork	9	37	Fuel Tank Cap, Tap Assembly & Fuel Gauge	47
9	Gear Change Mechanism	10	38	Fittings - Petrol Tank & Side Cover	48
10	Crankcase RH	11	39	Chain Case	49
11	Crankcase LH	12&13	40	Meter Assembly	50
12	Clutch cover	14&15	41	Control Cables	51
13	Cover Magneto	16	42	Head Lamp Assly / Fairing	52&53
14	Clutch	17	43	Turn Signal Lamp	54
15	Kick starter Mechanism	18	44	Tail Lamp Assembly	55
16	Carburetor Assembly Ucal	19	45	Front & Rear Number Plate	56
17	Air Filter Assembly	20	46	Electrical Equipment	57
18	Silencer Assembly	21	47	Tool Kit	58
19	Seat Assembly	22	48	Accessories Leg Guard & Saree Guard	59
20	Oil Pump	23		Kits List	60,61 & 62
21	Magneto Assembly	24		Amendment Sheet (Parts Added)	63
22	Starter Assembly	25		Amendment Sheet (Parts Deleted)	64
23	Starter Motor (Flash)	26		Parts Index	65
23A	Starter Motor (TVS)	27			
24	Frame Fittings	28			
25	Frame & Frame Fittings	29			
26	Swing Arm / Rear Shock Absorber	30&31			
27	Stay Main Step	32			
28	Stand Assembly	33			
29	Fender - Front & Rear	34			

Brand ID: 001MC636

# Pictorial Index



PLATE NO. : 1	PAGE NO.:
COVER CYLINDER HEAD	1

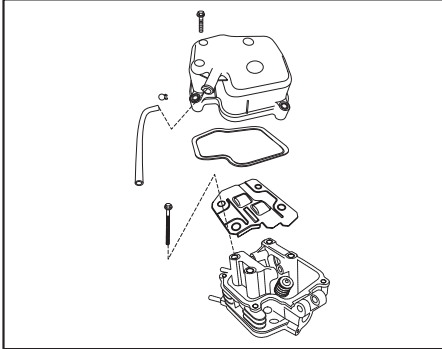


PLATE NO. : 3	PAGE NO.:
ROCKER ARM / VALVE	3

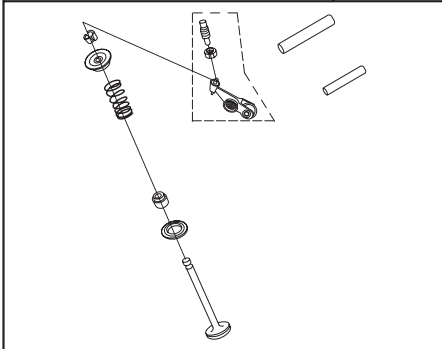


PLATE NO. : 5	PAGE NO.:
CYLINDER AND PISTON	5

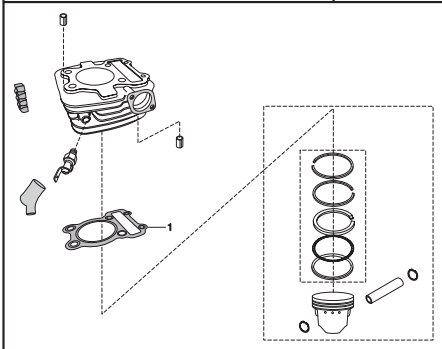


PLATE NO. : 2	PAGE NO.:
CYLINDER HEAD	2

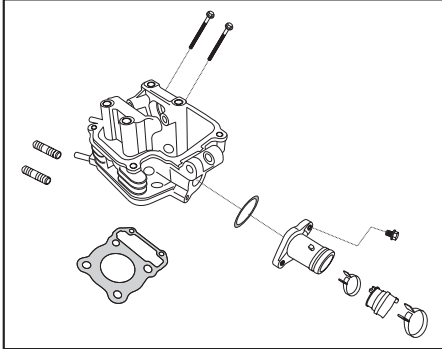


PLATE NO. : 4	PAGE NO.:
CAMSHAFT / TENSIONER	4

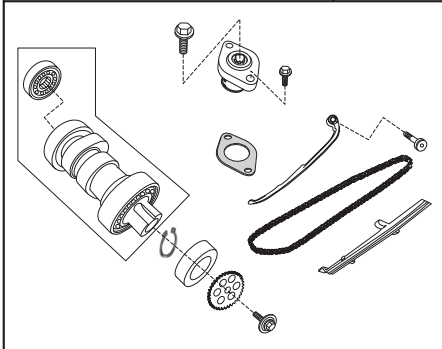
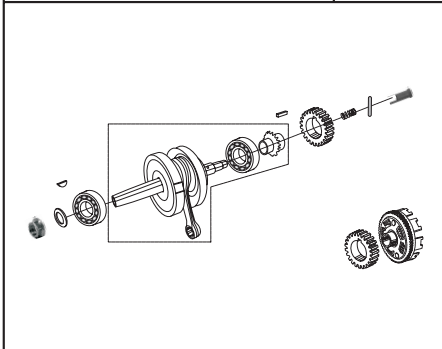


PLATE NO. : 6	PAGE NO.:
CRANKSHAFT	6



Brand ID: 001MC636

# Pictorial Index



PLATE NO. : 7	PAGE NO.:
TRANSMISSION	7 & 8

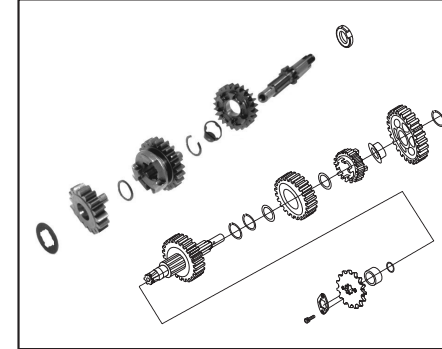


PLATE NO. : 9	PAGE NO.:
GEAR CHANGE MECHANISM	10

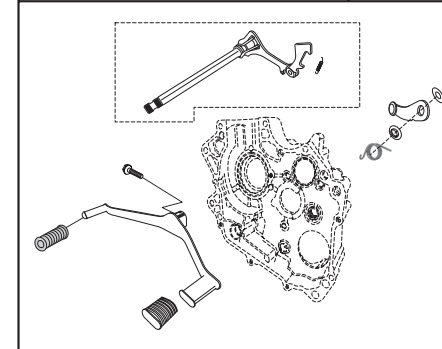


PLATE NO. : 11	PAGE NO.:
CRANKCASE LH	12&13

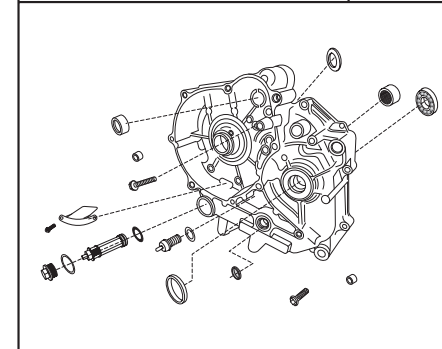


PLATE NO. : 8	PAGE NO.:
CHANGE DRUM / SHIFT FORK	9

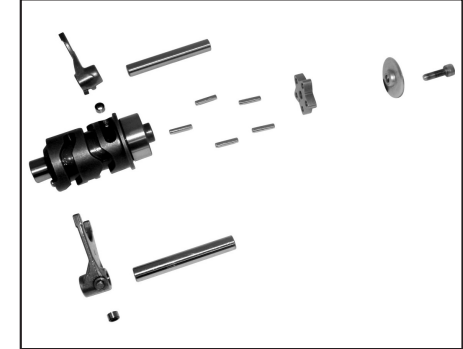


PLATE NO. : 10	PAGE NO.:
CRANKCASE RH	11

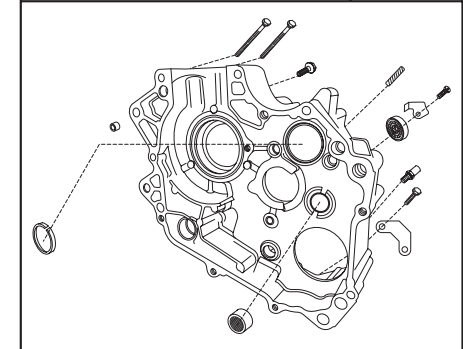
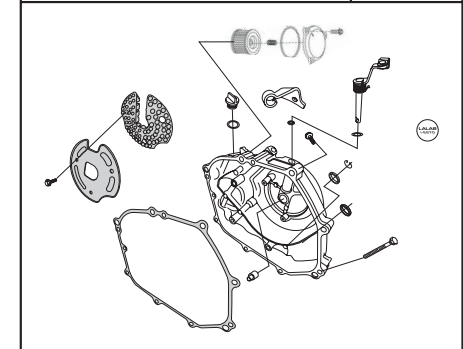


PLATE NO. : 12	PAGE NO.:
CLUTCH COVER	14&15



Brand ID: 001MC636

## Pictorial Index

BAJAJ  
**PLATINA 125**  
DTS-SI

PLATE NO. : 13 COVER MAGENTO	PAGE NO.: 16
---------------------------------	-----------------

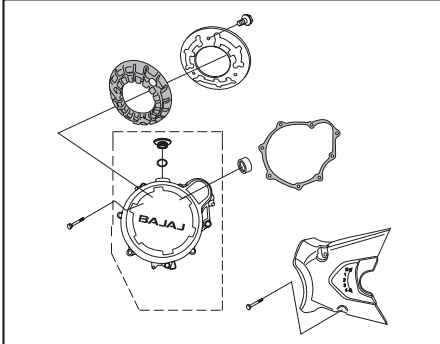


PLATE NO. : 15 KICK STARTER MECHANISM	PAGE NO.: 18
--	-----------------

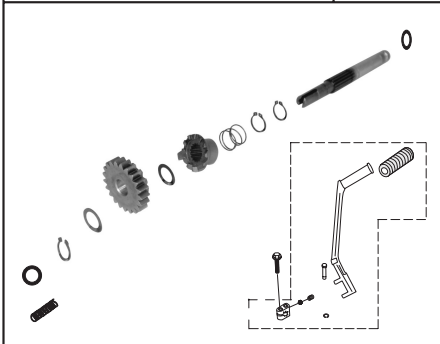


PLATE NO. : 17 AIR FILTER ASSEMBLY	PAGE NO.: 20
---------------------------------------	-----------------

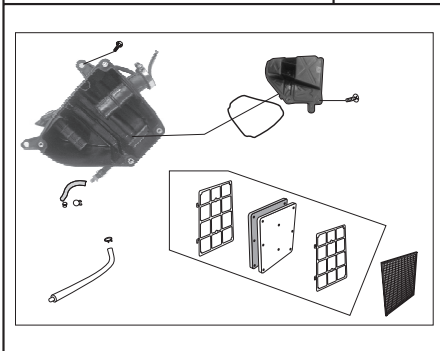


PLATE NO. : 14 CLUTCH	PAGE NO.: 17
--------------------------	-----------------

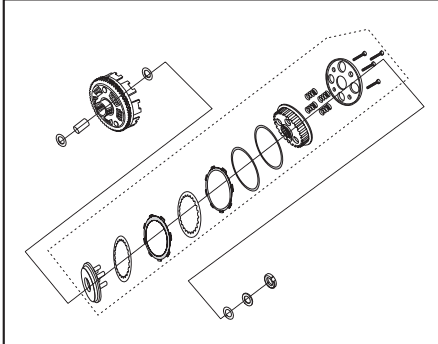


PLATE NO. : 16 CARBURETTOR ASSLY UCAL	PAGE NO.: 19
--	-----------------

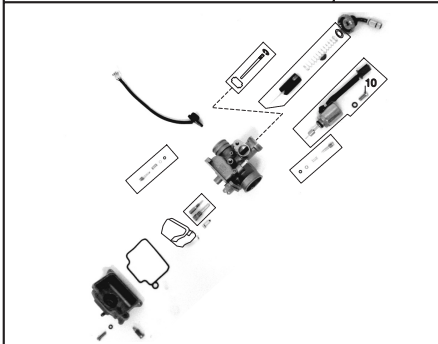
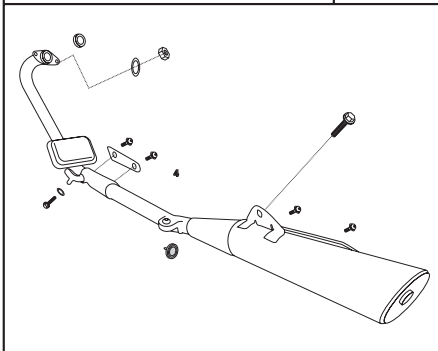


PLATE NO. : 18 SILENCER ASSEMBLY	PAGE NO.: 21
-------------------------------------	-----------------



Brand ID: 001MC636

## Pictorial Index

BAJAJ  
**PLATINA 125**  
DTS-SI

PLATE NO. : 19 SEAT ASSEMBLY	PAGE NO.: 22
---------------------------------	-----------------

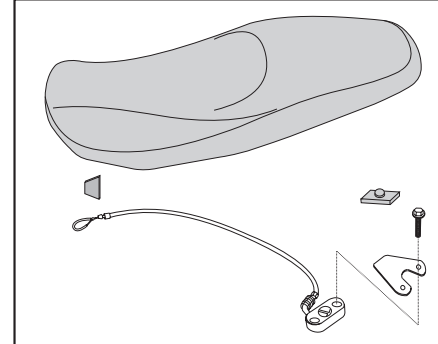


PLATE NO. : 21 MAGNETO ASSEMBLY	PAGE NO.: 24
------------------------------------	-----------------

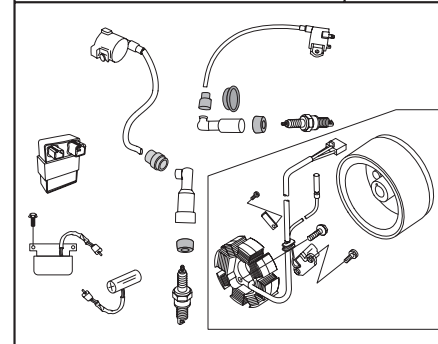


PLATE NO. : 23 STARTER MOTOR (FLASH)	PAGE NO.: 26
---	-----------------

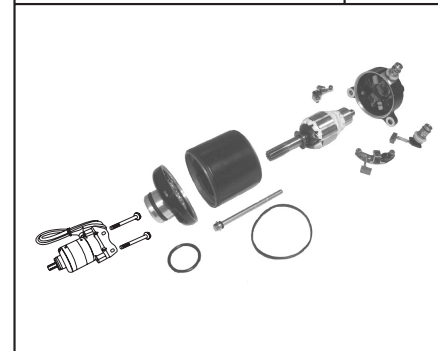


PLATE NO. : 20 OIL PUMP	PAGE NO.: 23
----------------------------	-----------------

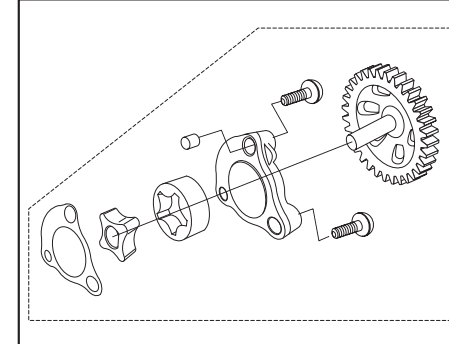


PLATE NO. : 22 STARTER ASSEMBLY	PAGE NO.: 25
------------------------------------	-----------------

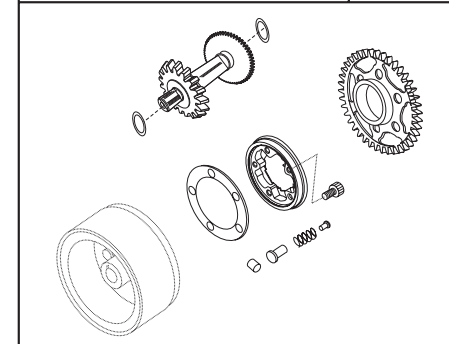
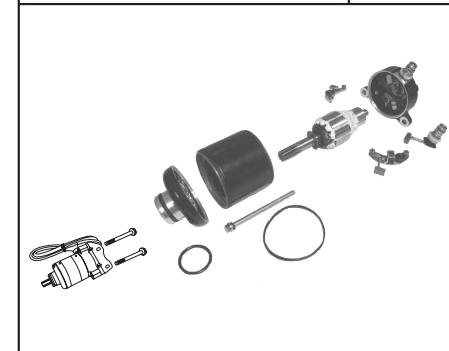


PLATE NO. : 23A STARTER MOTOR (TVS)	PAGE NO.: 27
--	-----------------



Brand ID: 001MC636

# Pictorial Index



PLATE NO. : 24	PAGE NO.:
FRAME FITTINGS	28

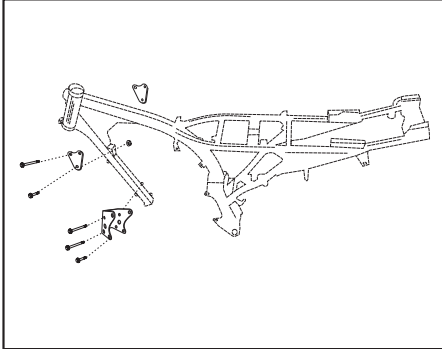


PLATE NO. : 26	PAGE NO.:
SWING ARM / REAR SHOCK ABSORBER	30&31

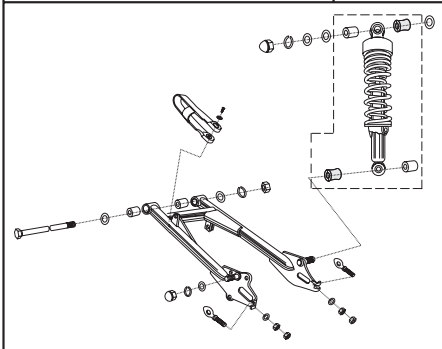


PLATE NO. : 28	PAGE NO.:
STAND ASSEMBLY	33

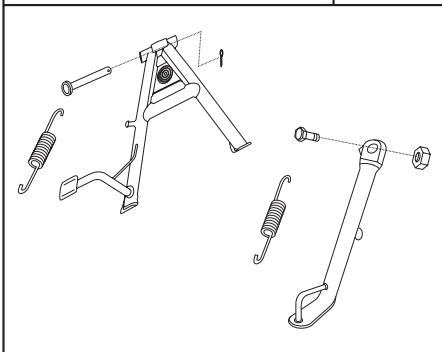


PLATE NO. : 25	PAGE NO.:
FRAME & FRAME FITTINGS	29

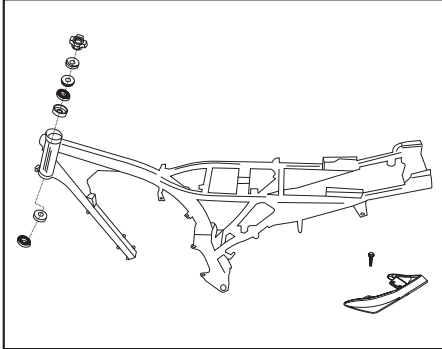


PLATE NO. : 27	PAGE NO.:
STAY MAIN STEP	32

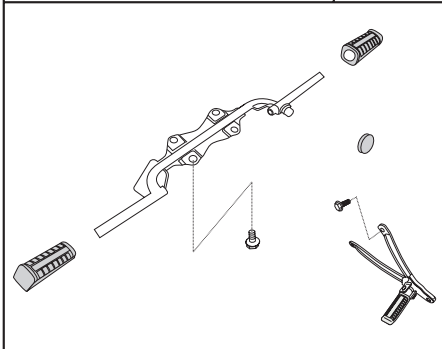
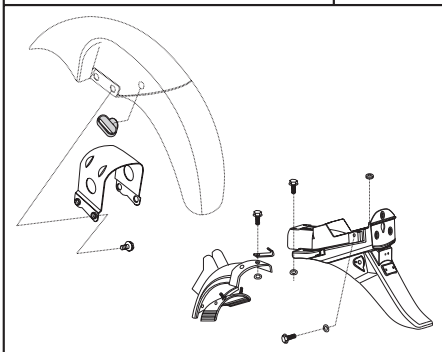


PLATE NO. : 29	PAGE NO.:
FENDER - FRONT & REAR	34



Brand ID: 001MC636

# Pictorial Index



PLATE NO. : 30	PAGE NO.:
TYRE / TUBE / RIM	35

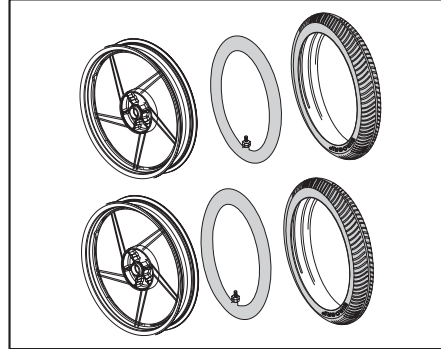


PLATE NO. : 32	PAGE NO.:
REAR HUB	38&39

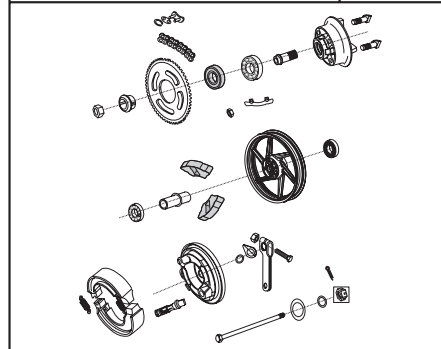


PLATE NO. : 34	PAGE NO.:
HANDLE BAR	41&42

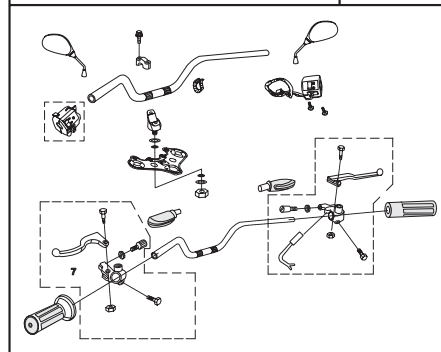


PLATE NO. : 31	PAGE NO.:
FRONT HUB	36&37

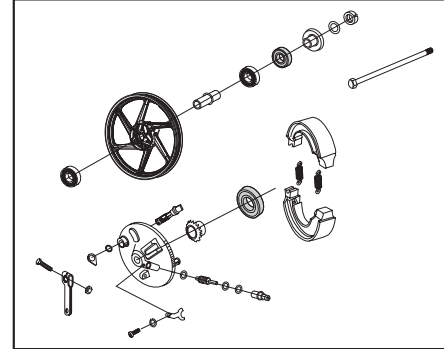


PLATE NO. : 33	PAGE NO.:
BRAKE PEDAL	40

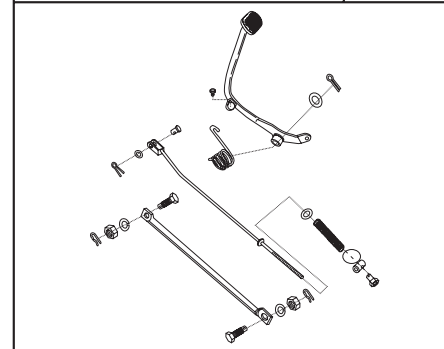
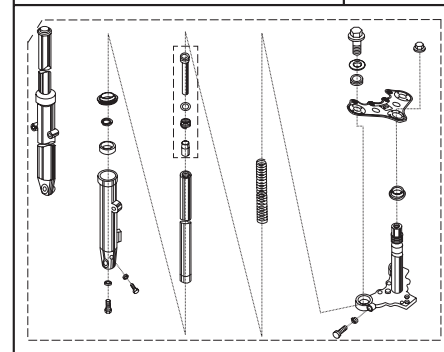


PLATE NO. : 35	PAGE NO.:
FRONT FORK	43&44



Brand ID: 001MC636

# Pictorial Index



PLATE NO. : 36	PAGE NO.:
PAINTED PARTS	45&46

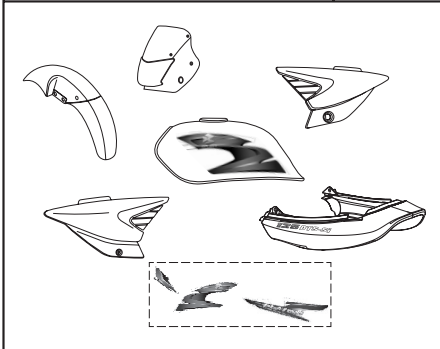


PLATE NO. : 38	PAGE NO.:
FITTINGS- PETROL TANK & SIDE COVER	48

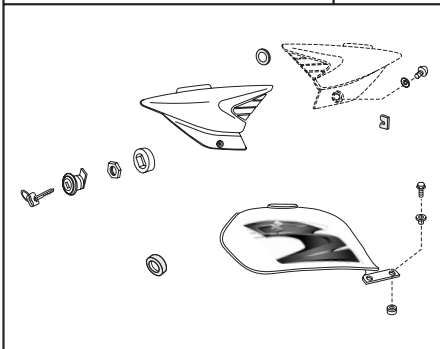


PLATE NO. : 40	PAGE NO.:
METER ASSEMBLY	50

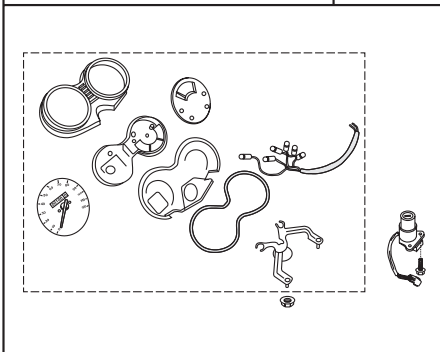


PLATE NO. : 37	PAGE NO.:
FUEL TANK CAP, TAP ASSLY & FUEL GAUGE	47

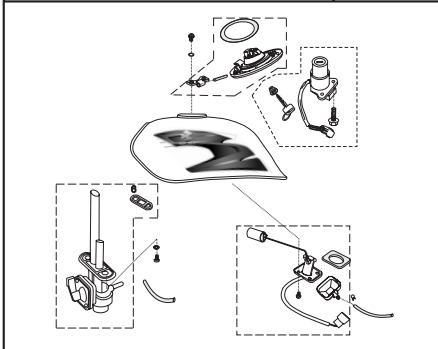


PLATE NO. : 39	PAGE NO.:
CHAIN CASE	49

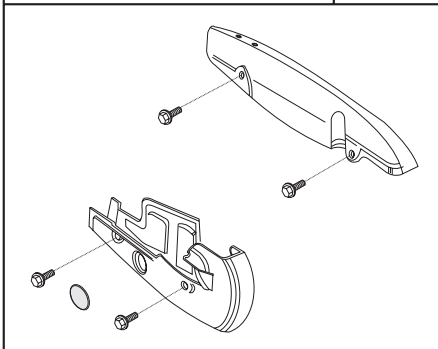
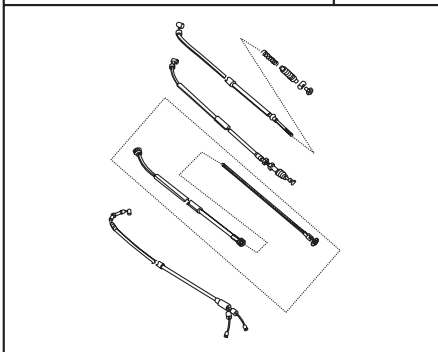


PLATE NO. : 41	PAGE NO.:
CONTROL CABLES	51



Brand ID: 001MC636

# Pictorial Index



PLATE NO. : 42	PAGE NO.:
HEAD LAMP ASSEMBLY / FAIRING	52&53

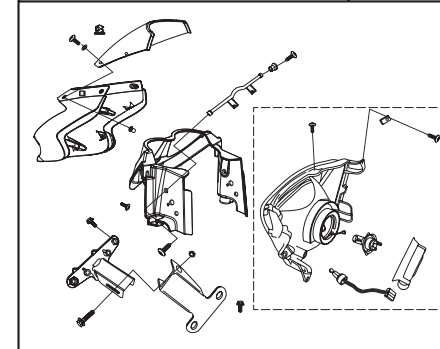


PLATE NO. : 44	PAGE NO.:
TAIL LAMP ASSEMBLY	55

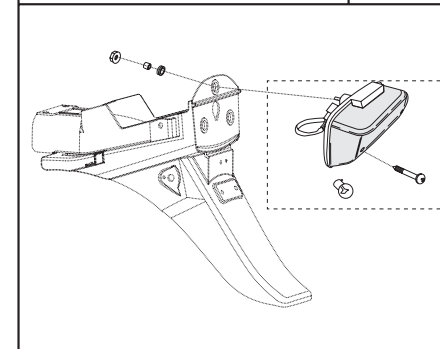


PLATE NO. : 46	PAGE NO.:
ELECTRICAL EQUIPMENT	57

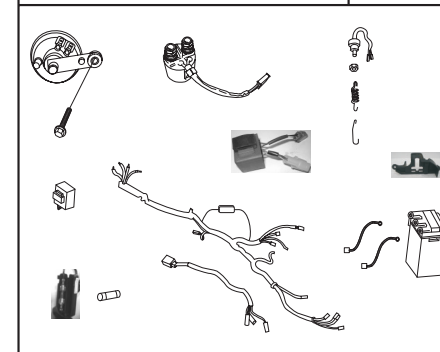


PLATE NO. : 43	PAGE NO.:
TURN SIGNAL LAMP	54

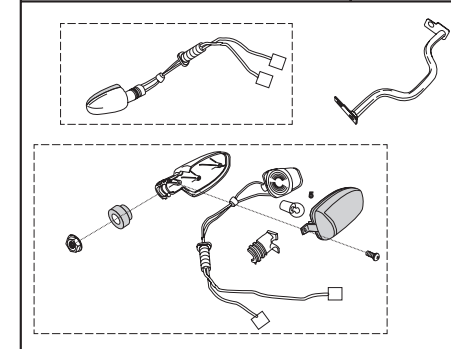


PLATE NO. : 45	PAGE NO.:
FRONT & REAR NUMBER PLATE	56

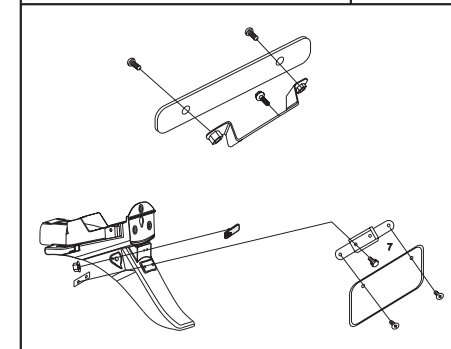
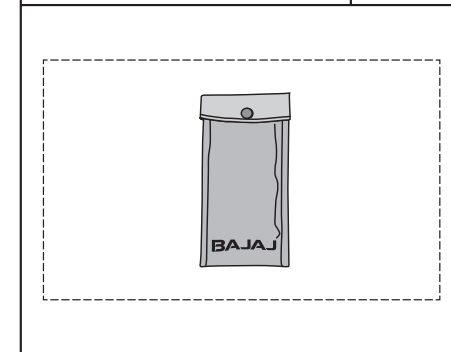
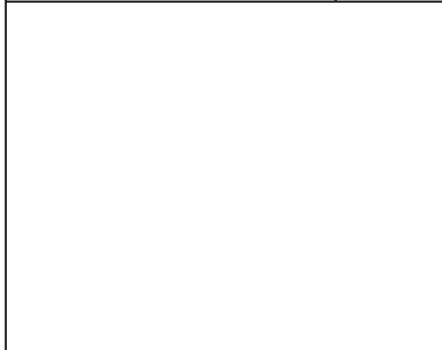
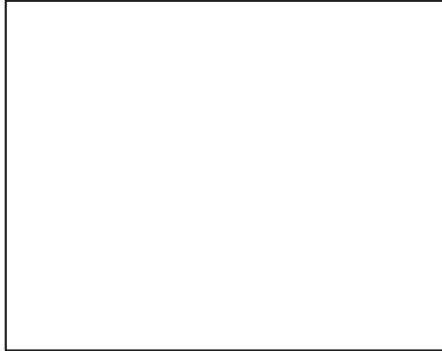
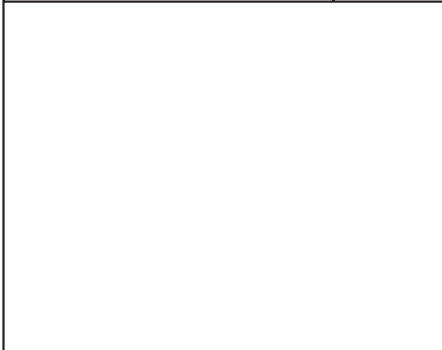
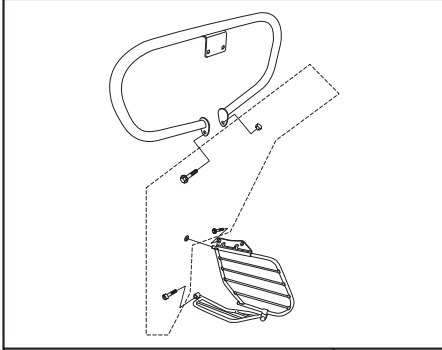


PLATE NO. : 47	PAGE NO.:
TOOL KIT	58

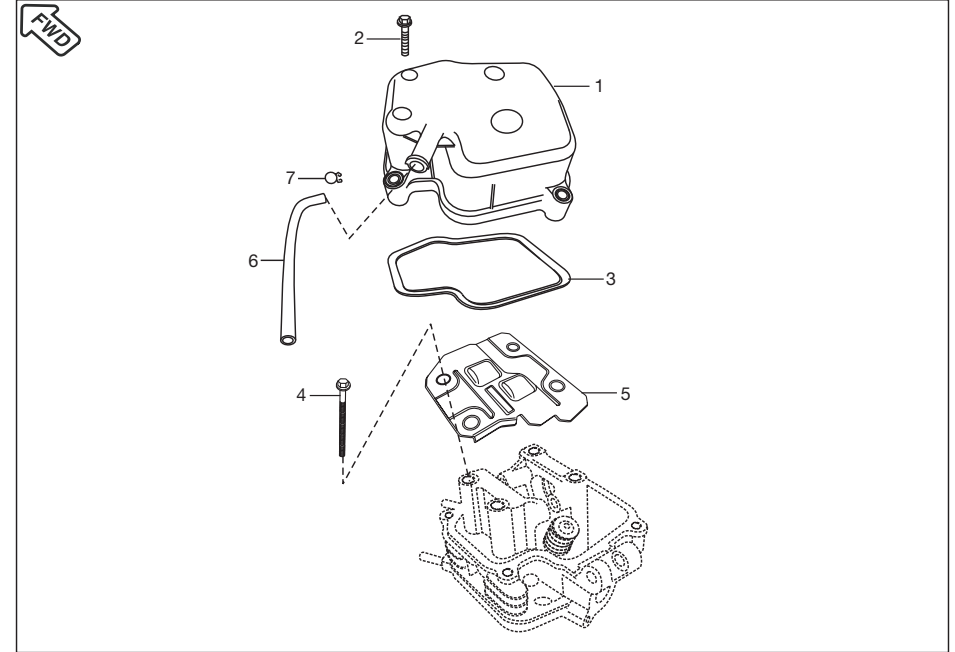


**Pictorial Index**

PLATE NO. : 48 ACCESSORIES, LEG GUARD & SAREE GUARD	PAGE NO.: 59
---	-----------------



**Plate No. 1 : COVER CYLINDER HEAD**

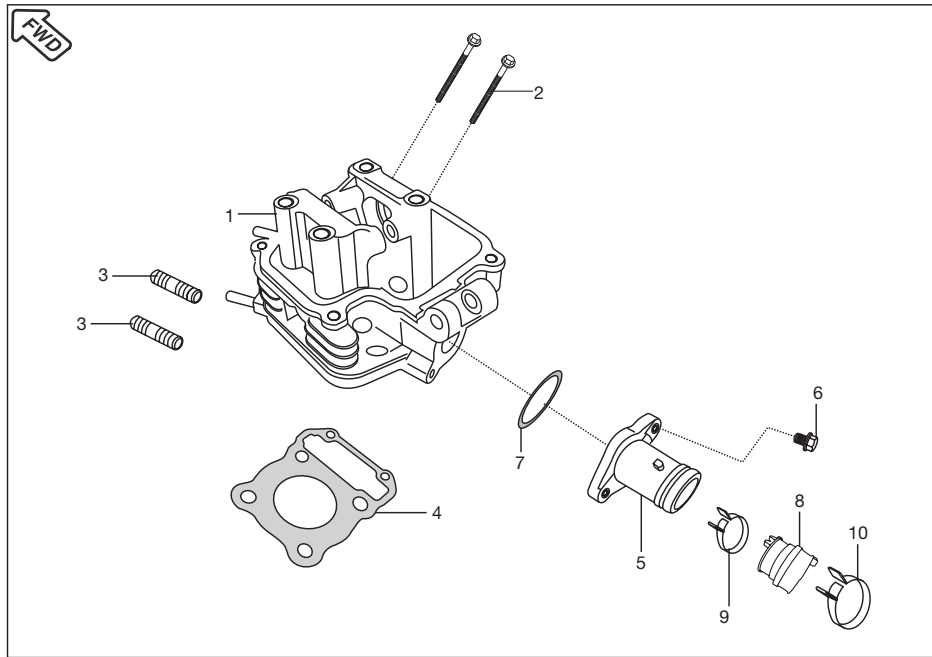


No.	Part No.	Description	1A ES	1B KS	Remarks
1	JA 5110 09	Cylinder head cover complete	1	1	
2	59 0400 38	Bolt flange	4	4	
3	JA 5110 12	Gasket head cover	1	1	
4	JA 5110 08	Bolt head Mounting	4	4	M8x1.25x196L
5	JA 5110 07	Plate breather	1	1	
6	JA 5110 11	Hose Breather	1	1	
7	JA 5110 29	Clamp Breather Tube	1	1	



Brand ID: 001MC636

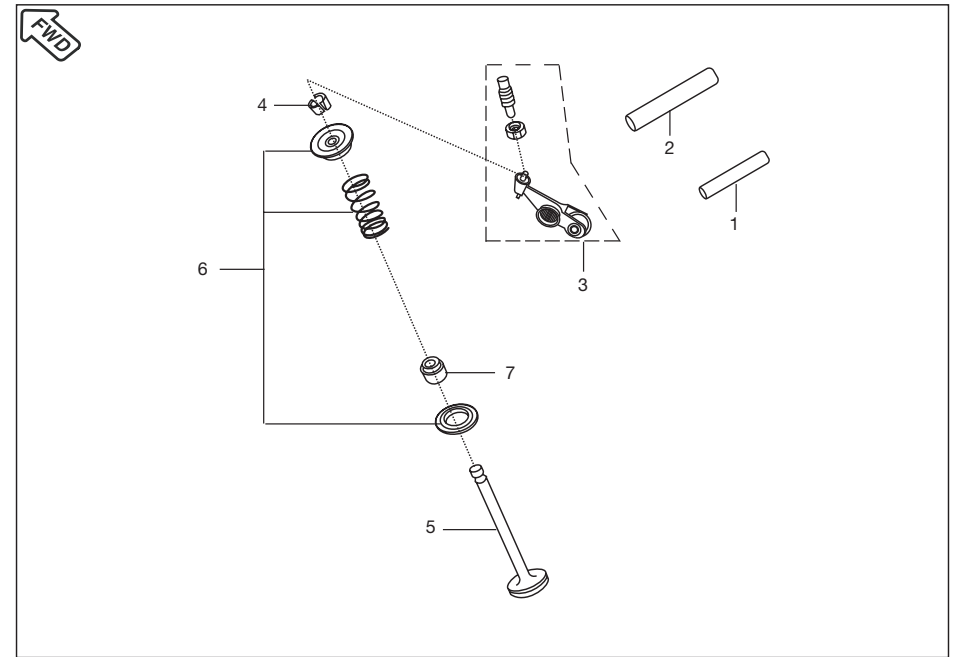
Plate No. 2 : CYLINDER HEAD



No.	Part No.	Description	2A ES	2B KS	Remarks
1	JA 5110 30	Head cylinder complete with valve guide & studs	1	1	
2	JA 5110 08	Bolt head mounting	2	2	M8x1.25x196L
3	JA 5110 28	Stud	2	2	
4	JA 5110 06	Gasket cylinder head	1	1	
5	JB 5814 02	Intake manifold (Rubber)	1	1	
6	JA 5814 06	Bolt flange	2	2	M6x1x25L
7	39 1283 21	'O' Ring	2	2	
8	JA 1812 08	Sleeve carburettor	1	1	
9	JA 5812 18	Clamp 35mm	1	1	
10	JA 5814 07	Clamp 39mm	1	1	

Brand ID: 001MC636

Plate No. 3 : ROCKER ARM / VALVE



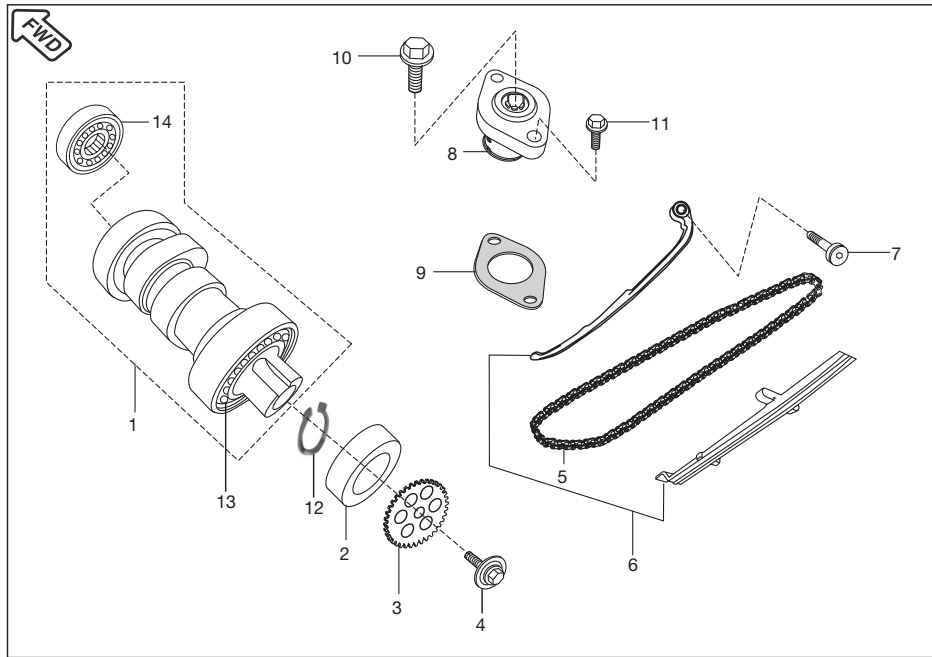
No.	Part No.	Description	3A ES	3B KS	Remarks
1	JA 5112 10	Shaft Rocker arm intake	1	1	(Length 36mm)
2	JA 5112 11	Shaft rocker arm exhaust	1	1	(Length 48mm)
3	JA 5112 04	Rocker arm with roller	2	2	
4	DG 1010 29	Cotter Valve	4	4	
5	36 JA00 02	Valve kit	1	1	Ref. page no. 60
6	36 JA00 03	Valve repair kit	1	1	Ref. page no. 60
7	39 2017 19	Seal valve stem	2	2	



Brand ID: 001MC636

Plate No. 4 : CAMSHAFT / TENSIONER

BAJAJ  
PLATINA 125  
DTS-SI

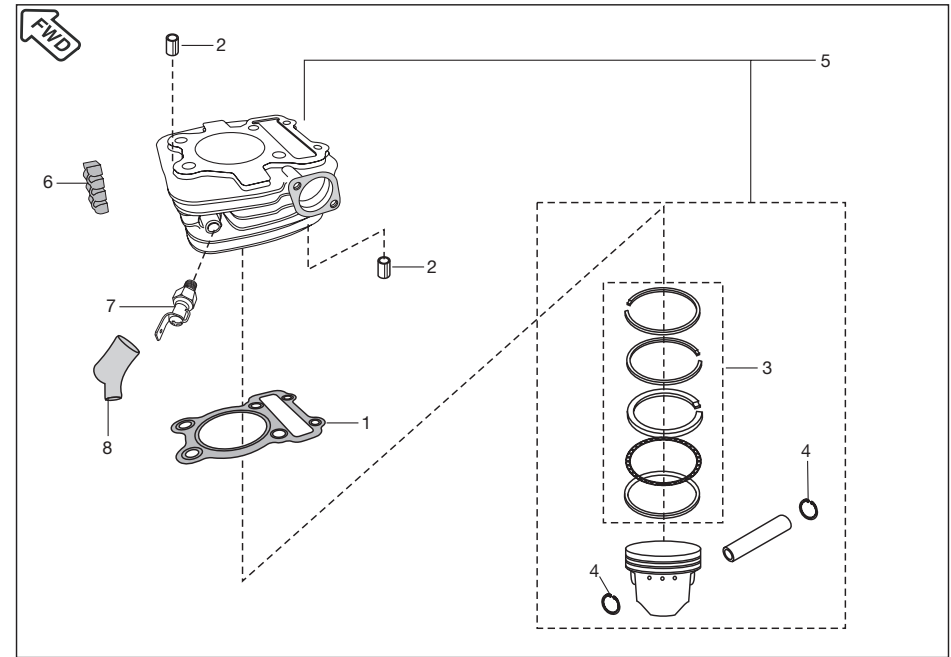


No.	Part No.	Description	4A ES	4B KS	Remarks
1	JA 5112 12	Camshaft assly complete	1	1	
2	JA 5112 16	Spacer cam sprocket	1	1	
3	JA 5112 17	Sprocket cam shaft	1	1	
4	JA 5112 18	Spacial bolt camshaft	1	1	
5	JA 5310 11	Cam chain (92 links)	1	1	
6	36 JB00 10	Guide chain kit	1	1	Ref. page no. 60
7	JA 5112 18	Bolt special	1	1	
8	JA 5210 17	Tensioner (Black) assly chain	1	1	
9	CS 1011 28	Gasket	1	1	
10	JA 5210 18	Bolt tensioner	1	1	
11	JA 5210 19	Flange bolt	2	2	Adjuster assly chain mtg.
12	39 0594 17	Circlip for locking cam shaft			
13	39 2683 20	Ball bearing	1	1	
14	39 1880 20	Ball bearing	1	1	

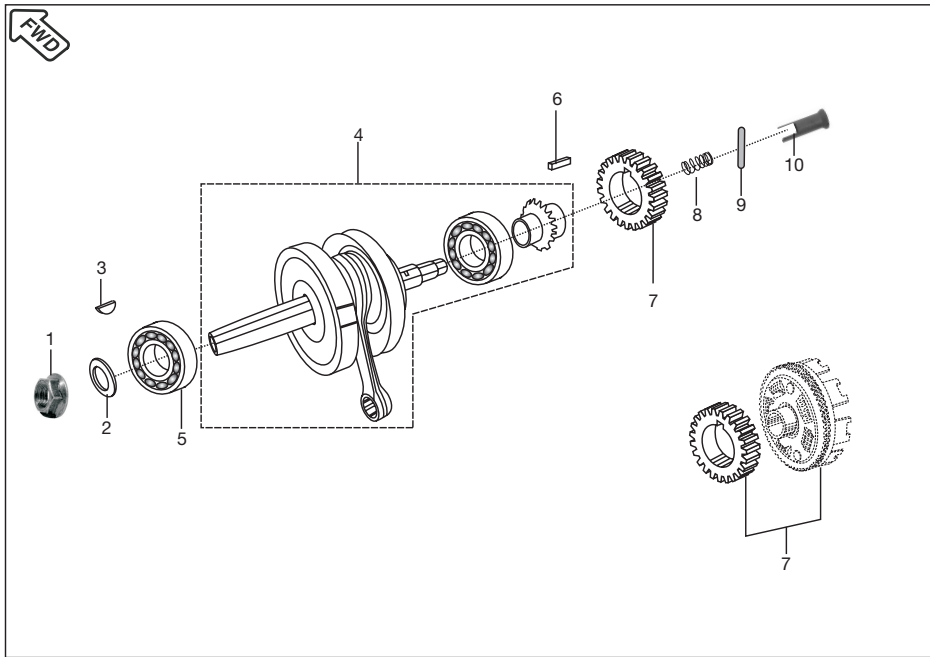
Brand ID: 001MC636

Plate No. 5 : CYLINDER AND PISTON

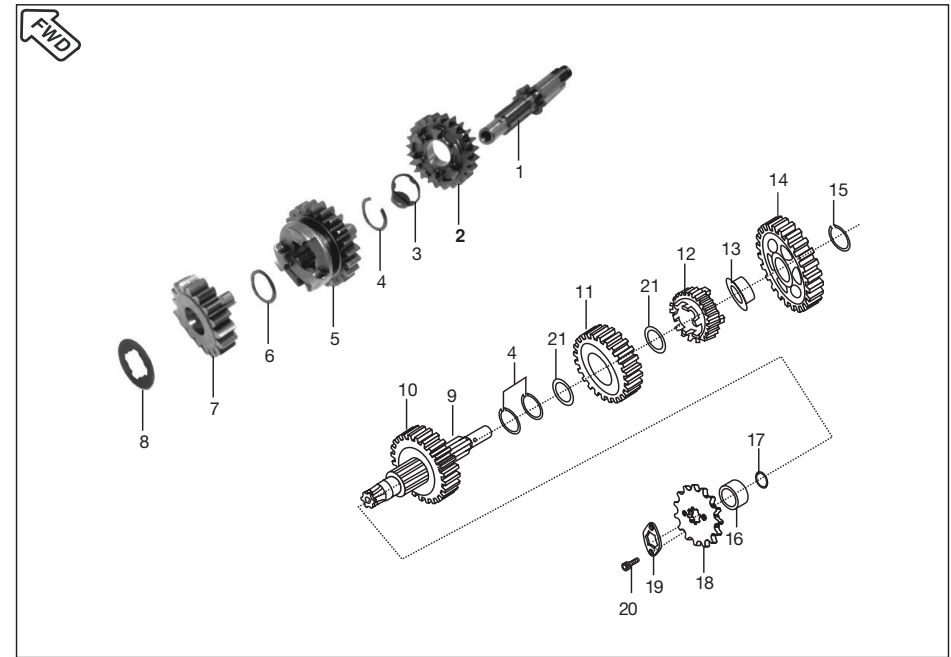
BAJAJ  
PLATINA 125  
DTS-SI



No.	Part No.	Description	5A ES	5B KS	Remarks
1	JA 5210 01	Gasket cylinder black	1	1	
2	39 1000 06	Hollow dowel pin	2	2	
3	JA 5212 07	Piston ring set	1	1	Ref. Page No. 60
4	DP 1011 65	Ring snap	2	2	
5	JA 5210 14	Cylinder block / Piston assly.	1	1	
6	JA 5210 15	Damper cylinder block	3	3	
7	JA 3514 00	Thermal sensor	1	1	With aluminium gasket
8	JB 4022 02	Grommet for thermal sensor	1	1	



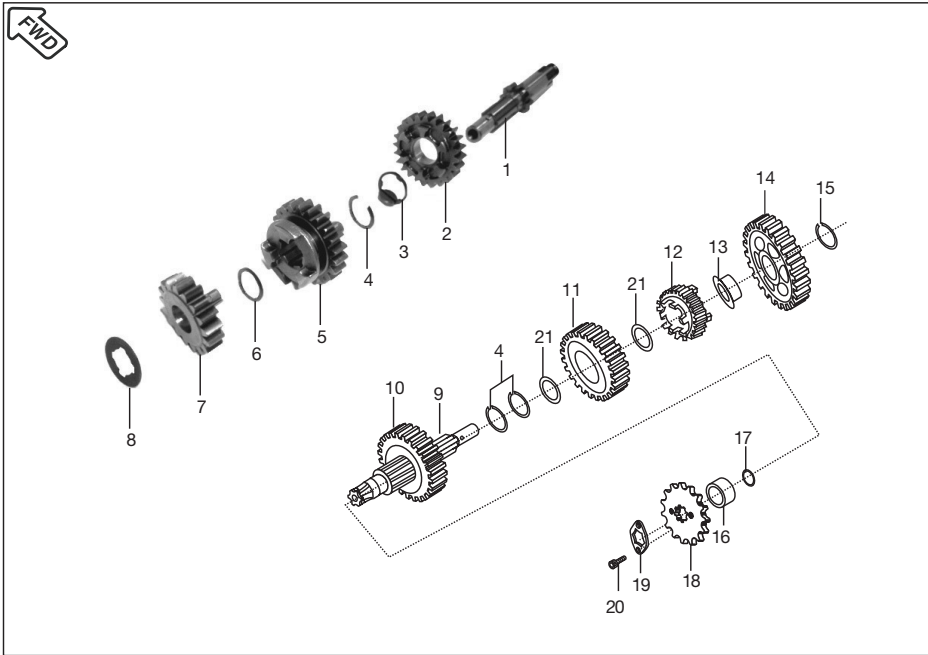
No.	Part No.	Description	6A ES	6B KS	Remarks
1	59 1500 14	Nut flange	1	1	
2	59 1100 08	Belleville washer	1	1	
3	31 1011 73	Key woodruff	1	1	
4	JA 5310 00	Crank shaft assly.	1	1	
5	39 1864 20	Ball bearing	1	1	20x52x15
6	DS 1011 54	Key	1	1	
7	36 JA00 10	Set primary drive / driven	1	1	Ref. page no. 60
8	JA 531012	Spring	1	1	
9	JA 5310 15	pin (Crank shaft plunger)	1	1	
10	JA 5310 14	Plunger oil	1	1	



No.	Part No.	Description	7A ES	7B KS	Remarks
1	JB 5510 01	Shaft input transmission (12T)	1	1	
2	JA 5512 00	Gear 4th drive (24T)	1	1	
3	JA 5510 02	Spline washer	1	1	(17.2x20.5x10.5)
4	39 0987 17	Ring snap	4	4	
5	JA 5512 01	Gear 3rd drive (22T)	1	1	
6	DS 1012 90	Washer 2nd drive	1	1	
7	JA 5512 02	Gear 2nd drive (17T)	1	1	
8	JA 5510 04	Washer thrust 2nd drive	1	1	
9	JA 5510 06	Shaft output transmission (34T)	1	1	
10	JA 5512 03	Gear 2nd driven (29T)	1	1	
11	JA 5512 04	Gear 3rd driven (26T)	1	1	
12	JA 5512 05	Gear 4th driven (23T)	1	1	
13	JA 5510 07	Bush 1st driven	1	1	
14	JA 5512 06	Gear 1st driven	1	1	
15	JA 5510 08	Washer thrust	1	1	(12.2x25x1)

Brand ID: 001MC636

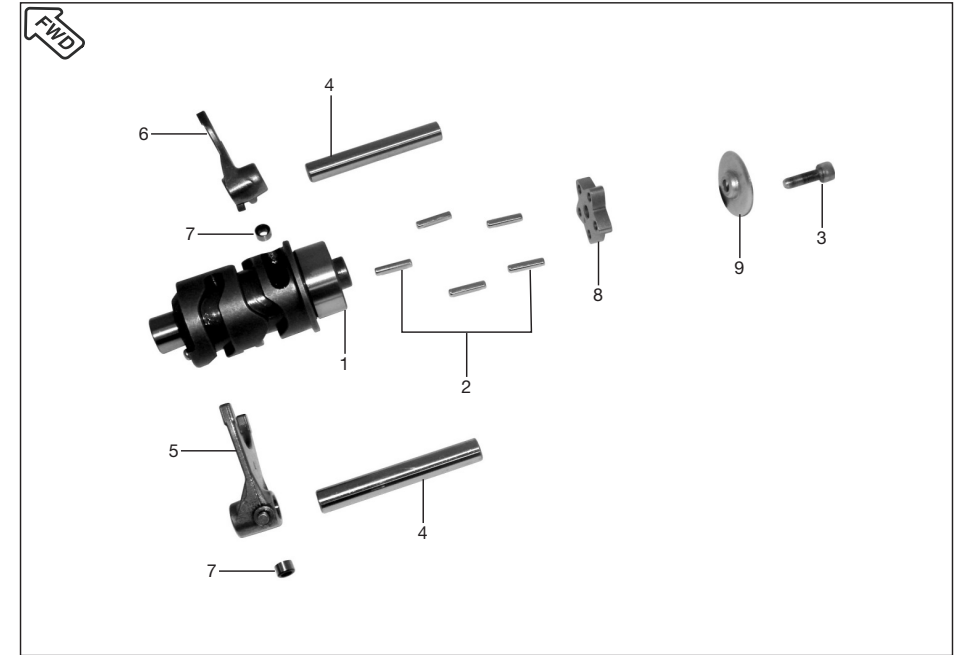
Plate No. 7 : TRANSMISSION



No.	Part No.	Description	7A ES	7B KS	Remarks
16	JA 5510 09	Collar sprocket drive	1	1	
17	59 2100 24	"O" ring	1	1	13.8x1.9
18	JA 5510 10	Sprocket drive (15T)	1	1	
19	DU 1012 13	Plate lock sprocket output	1	1	
20	39 1981 04	Allen bolt	2	2	
21	JA 5510 02	Spline washer	2	2	For 3rd gear output

Brand ID: 001MC636

Plate No. 8 : CHANGE DRUM / SHIFT FORK

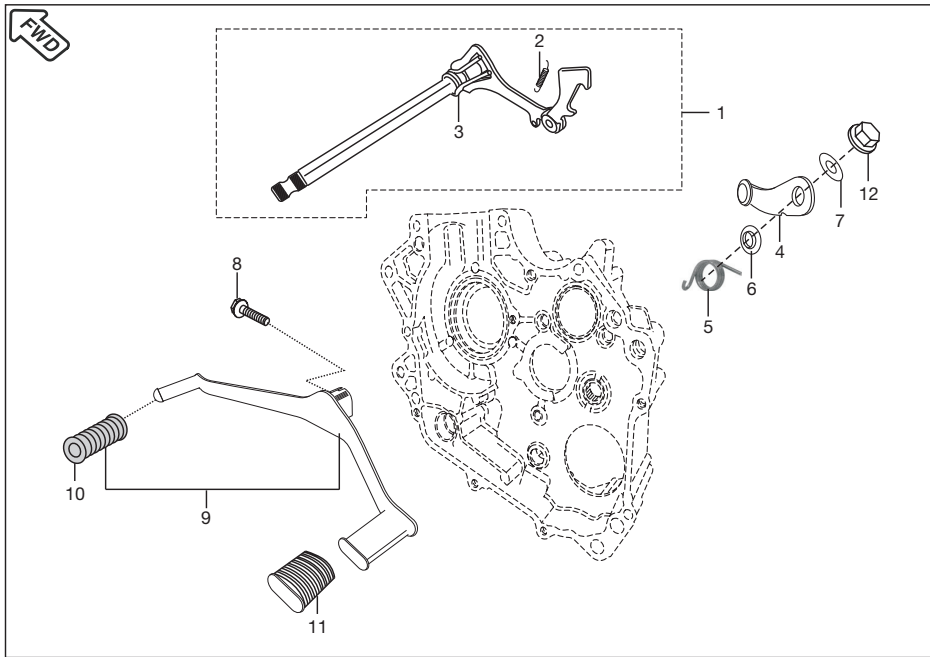


No.	Part No.	Description	8A ES	8B KS	Remarks
1	JA 5610 00	Drum complete gear shift	1	1	
2	39 0992 06	Dowel	5	5	
3	DP 1013 40	Bolt socket-M6	1	1	
4	JA 5610 04	Shaft gear shift fork (Dia 10)	2	2	
5	JA 5610 05	Fork gear shift output	1	1	
6	JA 5610 06	Fork gear shift input	1	1	
7	DK 1011 35	Bush (Drum change)	2	2	
8	JA 5610 02	Cam drum change	1	1	
9	JA 5610 03	Cup washer	1	1	

Brand ID: 001MC636

Plate No. 9 : GEAR CHANGE MECHANISM

BAJAJ  
PLATINA 125  
DTS-SI

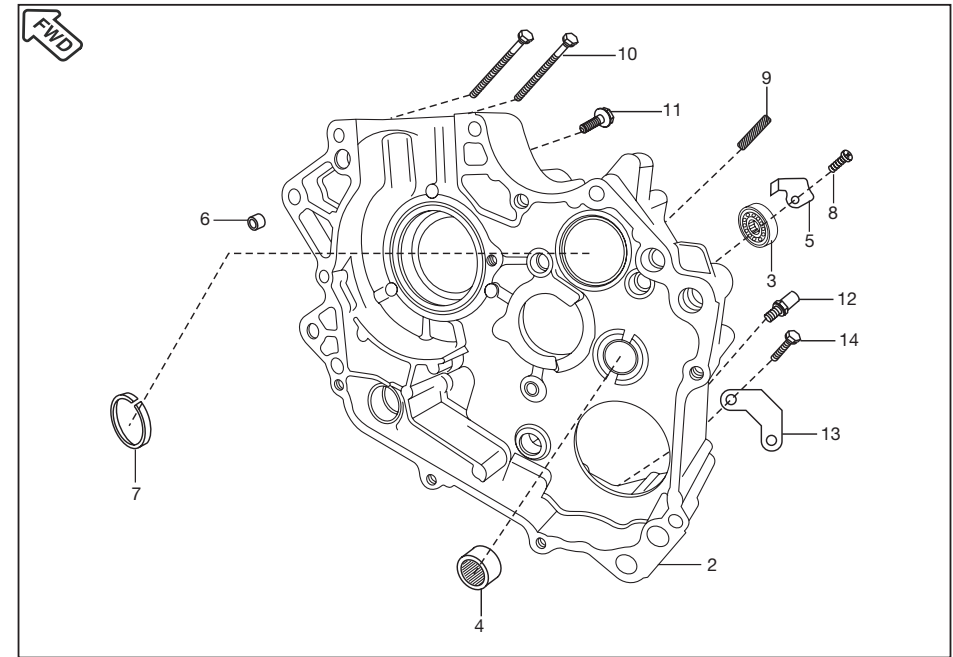


No.	Part No.	Description	9A ES	9B KS	Remarks
1	JA 5612 00	Lever comp. gear shift	1	1	
2	JA 5612 05	Extension spring	1	1	
3	JA 5612 06	Spring gear shift return	1	1	
4	JA 5612 07	Inhibitor com. gear shift	1	1	
5	JA 5612 08	Spring (Inhibitor)	1	1	
6	JA 5612 09	Step washer	1	1	
7	39 2704 11	Washer	1	1	
8	39 0817 15	Flange bolt	1	1	M6/Hex nut
9	JB 5614 00	Lever comp. gear shifter	1	1	with rubber damper
10	DH 1015 09	Damper	1	1	
11	DG 1013 39	Damper	1	1	
12	39 0817 15	Nut hex with flange	1	1	M6

Brand ID: 001MC636

Plate No. 10 : CRANKCASE RH

BAJAJ  
PLATINA 125  
DTS-SI

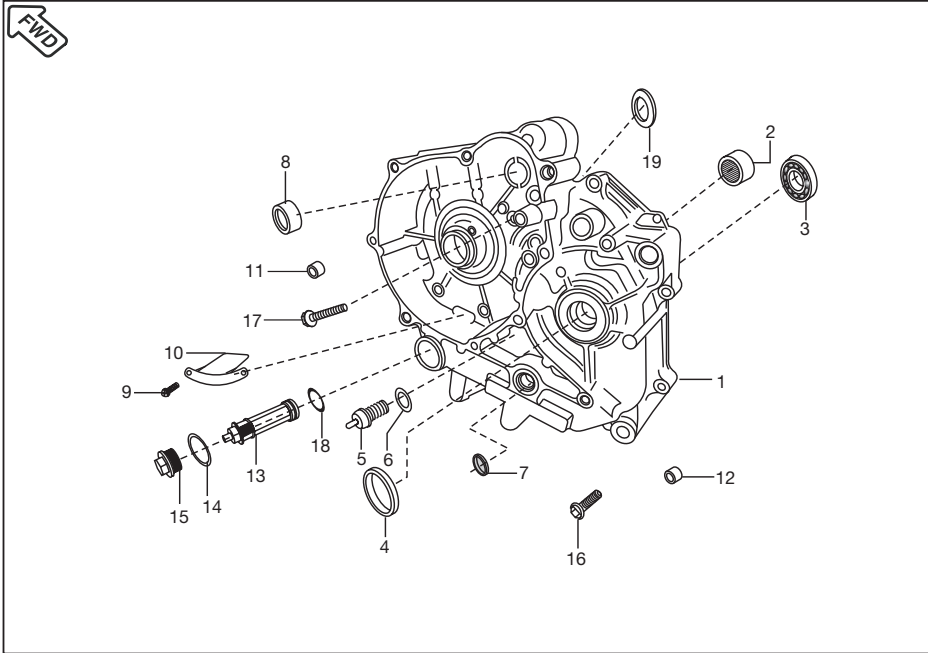


No.	Part No.	Description	10A ES	10B KS	Remarks
1	JB 5010 00	Engine assembly	1	--	N.I.
	JP 5010 01	Engine assembly	--	1	N.I.
2	JA 5410 45	Crankcase RH	1	1	NRB + bush + stud
3	59 2000 36	Ball bearing	1	1	
4	JA 5410 11	Needle roller bearing	1	1	HK 1212
5	JA 5410 10	Stopper plate input bearing	1	1	
6	39 1000 06	Hollow dowel pin	2	2	
7	DU 1010 85	Bushing (PTFE)	1	1	
8	39 0746 01	Screw pan cross M6	1	1	
9	JA 541015	Stud inhibitor mounting	1	1	
10	JA 5412 35	Flange bolt M6x1x85L	2	2	Crankcase mounting
11	59 0400 38	Flange bolt	1	1	
12	JA 5410 14	Bolt shift change	1	1	
13	JA 5410 12	Guide kick	1	1	
14	39 1964 04	Bolt flanged small	2	2	

Brand ID: 001MC636

Plate No. 11 : CRANKCASE LH

BAJAJ  
PLATINA 125  
DTS-SI

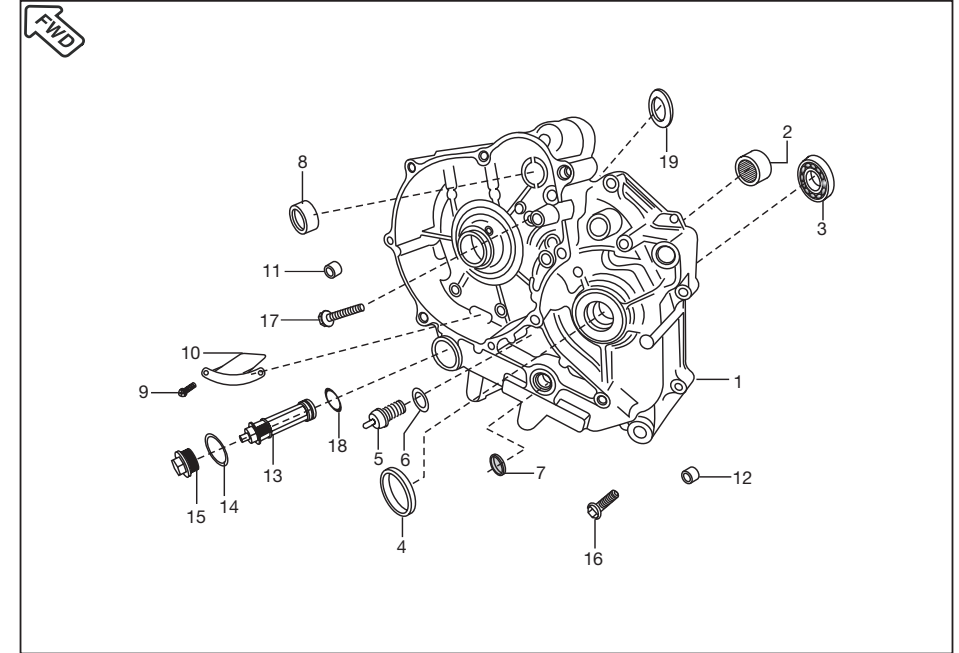


No.	Part No.	Description	11A ES	11B KS	Remarks
1	JA 5410 46	Crankcase LH	1	--	NRB + Bush + Orifice
	JP 5410 09	Crankcase LH	--	1	NRB + Orifice
2	39 2562 20	Needle roller bearing	1	1	
3	59 2000 36	Ball bearing	1	1	
4	39 1715 19	Oil seal 22x3.5x7	1	1	Output shaft
5	31 2010 81	Switch neutral	1	1	
6	DH 1012 64	Gasket neutral switch	1	1	
7	39 2190 19	Oil seal	1	1	Shifter shaft
8	JA 5410 05	Bush bendix	1	1	Starter clutch
9	39 0747 01	Pan cross screw	2	2	
10	JA 5410 34	Stopper gear starter clutch	1	1	
11	39 1000 06	Hollow dowel pin	2	2	
12	39 0999 06	Dowel pin oil pump	2	2	
13	JA 5410 19	Mesh filter oil pump	1	1	
14	59 2100 23	"O" ring cap strainer	1	1	
15	JA 5410 21	Cap strainer	1	1	

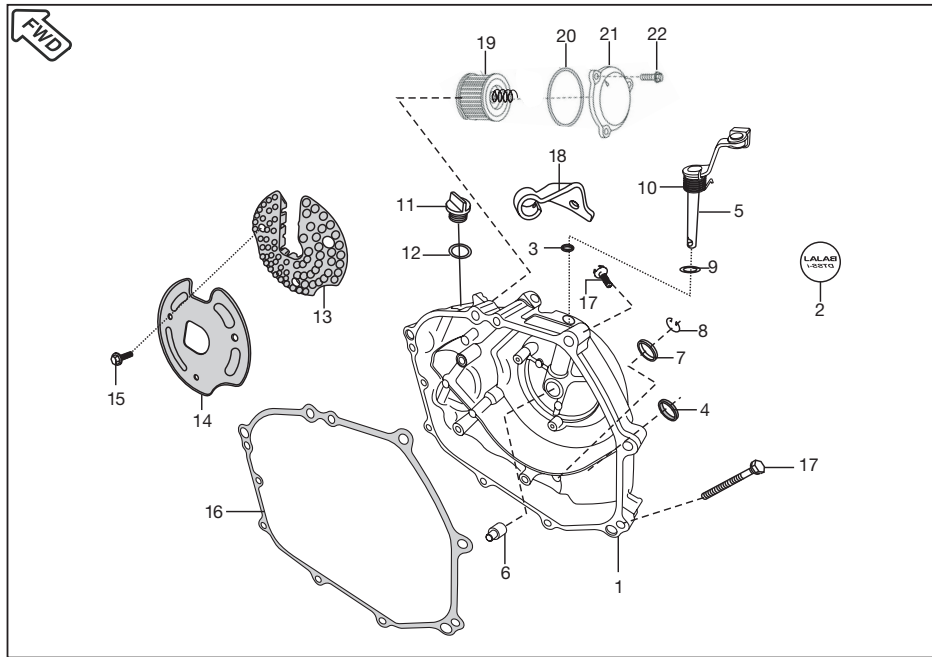
Brand ID: 001MC636

Plate No. 11 : CRANKCASE LH

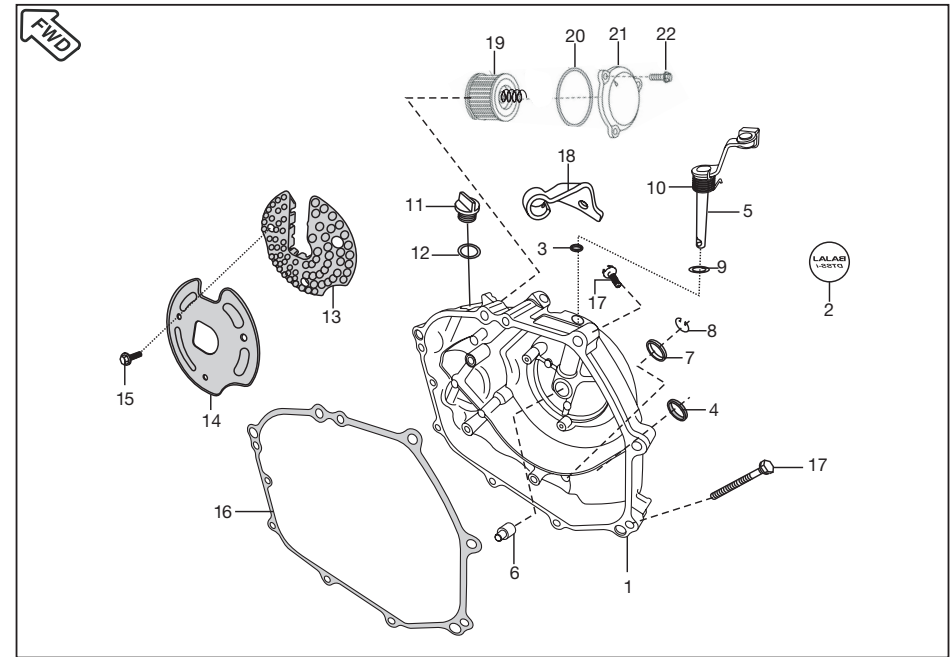
BAJAJ  
PLATINA 125  
DTS-SI



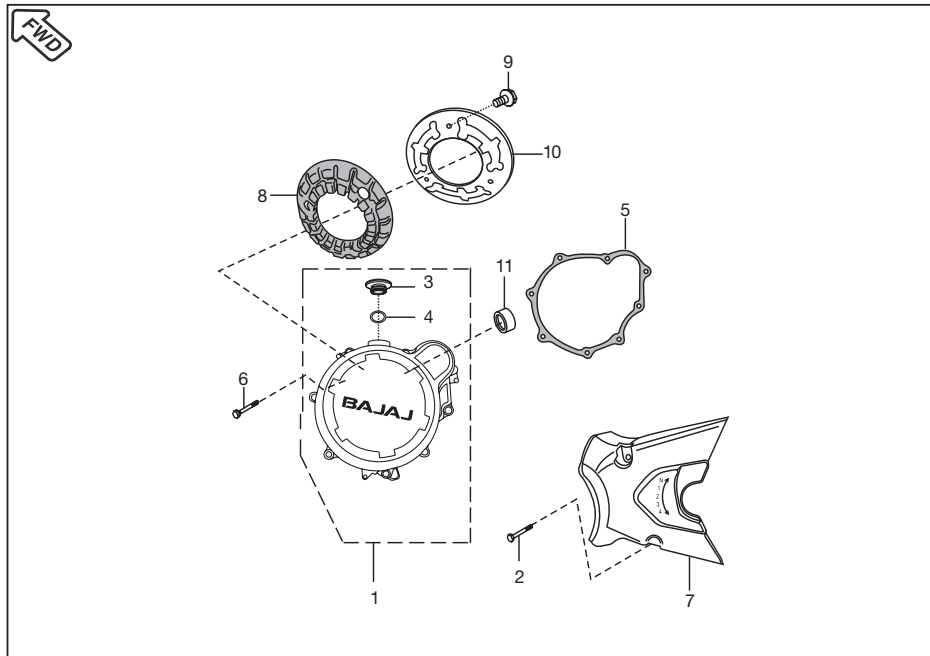
No.	Part No.	Description	11A ES	11B KS	Remarks
16	59 0400 38	Flange bolt	6	6	
17	39 1759 04	Bolt (M6x1x55L)	1	1	
18	JA 5410 20	"O" ring mesh filter oil pump	1	1	
19	JA 5410 27	Damper crank Shaft	1	1	



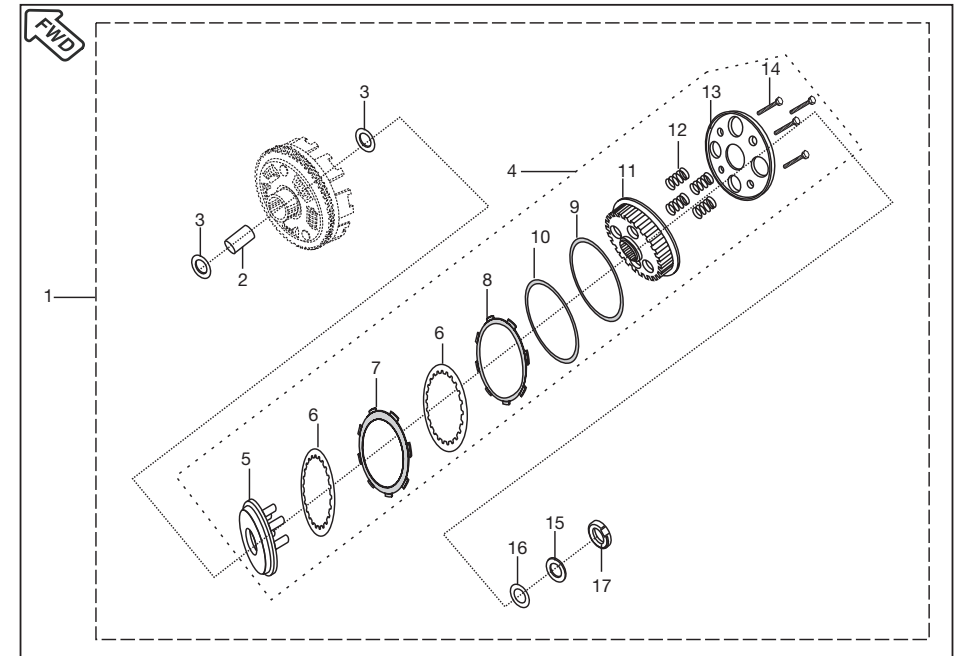
No.	Part No.	Description	12A ES	12B KS	Remarks
1	JA 5412 40	Clutch cover	1	1	with Decal+Gauge+Circlip
2	JA 2330 00	Decal clutch cover	1	1	
3	39 1041 19	Oil seal clutch cover	1	1	
4	30 1011 42	Oil seal kick shaft	1	1	
5	JA 5412 09	Shaft clutch release assly	1	1	
6	DP 1012 69	Rod push	1	1	
7	DG 1014 18	Gauge	1	1	oil level check
8	DS 1012 15	Wire circlip	1	1	
9	JA 5412 36	Plain washer (12.5x24x0.8)	1	1	
10	JA 5412 37	Spring torsion clutch cover	1	1	
11	JA 5412 11	Cap oil filler	1	1	
12	JA 5412 25	"O" ring cap oil filler	1	1	
13	JA 5412 15	Damper clutch cover	1	1	
14	JA 5412 16	Plate damper	1	1	
15	39 2208 04	Bolt flange M5x10	3	3	



No.	Part No.	Description	12A ES	12B KS	Remarks
16	JA 5412 12	Gasket clutch cover	1	1	
17	59 0400 38	Flange bolt	8	8	Clutch cover to C'case mtg.
18	JA 5412 22	Bracket clutch cable	1	1	
19	DD 1211 81	Oil filter assly	1	1	
20	39 1671 21	"O" ring	1	1	
21	JA 5412 19	Cap filter	1	1	
22	JA 5410 19	Bolt flange	3	3	

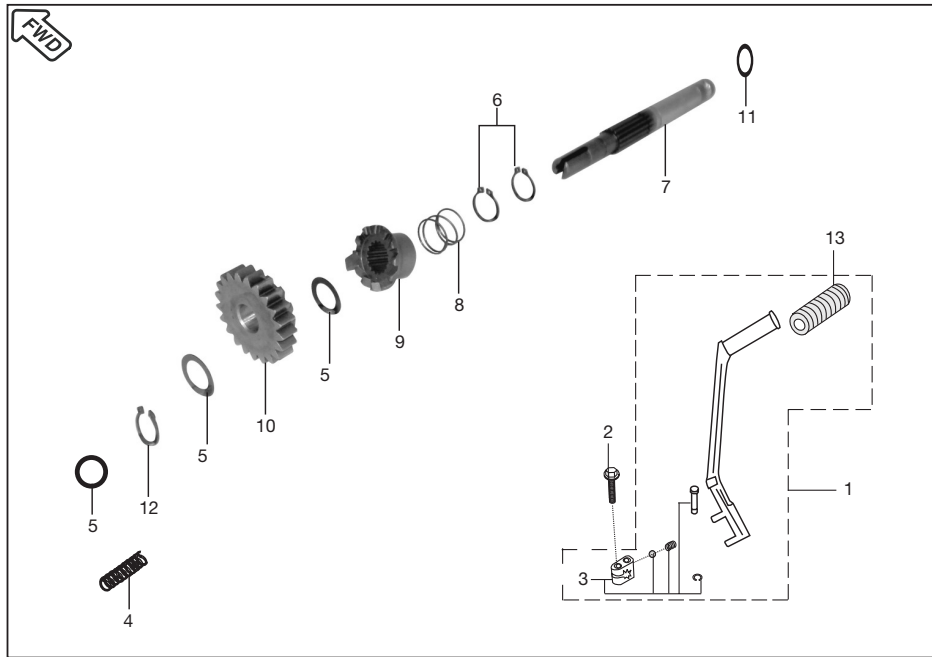


No.	Part No.	Description	13A ES	13B KS	Remarks
1	JA 5412 41	Cover magneto	1	--	Threaded cap design
	JP 5412 05	Cover magneto	--	1	Threaded cap design
2	59 0400 38	Flange bolt	2	2	
3	JA 5412 33	Cap TDC finder	1	1	Threaded cap
4	30 1011 95	'O' Ring 15.8x2.4	1	1	
5	JA 5412 05	Gasket magneto cover	1	--	
	JP 5412 08	Gasket magneto cover	--	1	
6	JA 5410 44	Flange bolt M6x1x40L	8	8	
7	JB 5412 03	Cover LH rear with decal	1	--	
	JB 5412 04	Cover LH rear with decal	--	1	
8	JA 5412 20	Damper magneto cover	1	1	
9	39 2208 04	Flanged bolt M5x10	3	3	
10	JA 5412 21	Plate damper magneto cover	1	1	
11	JA 5410 05	Bush bendix	1	1	

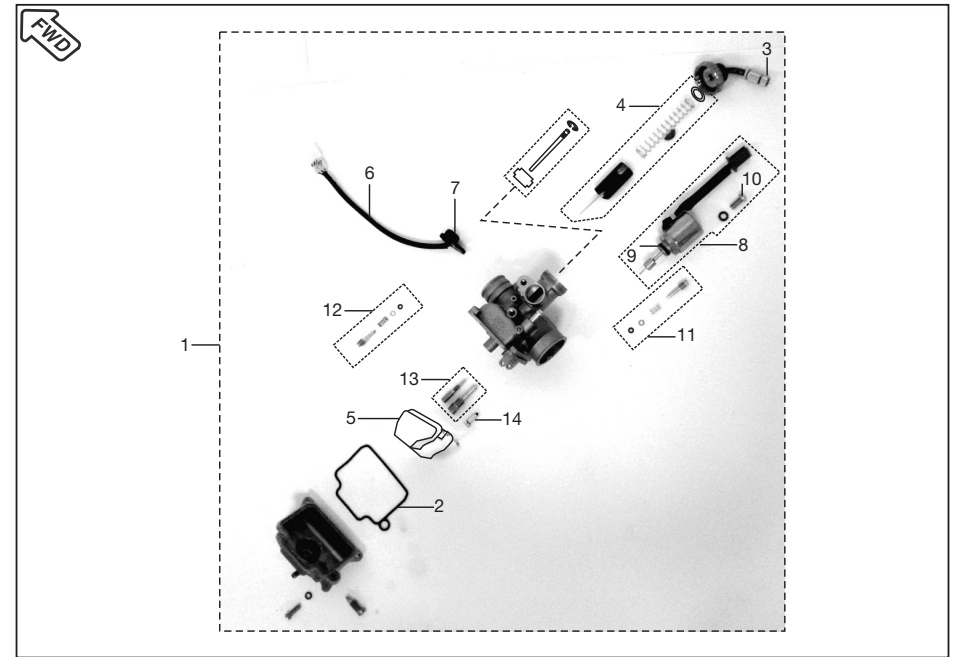


No.	Part No.	Description	14A ES	14B KS	Remarks
1	JA 5514 00	Clutch assly. complete	1	1	
2	JA 5514 06	Collar clutch	1	1	
3	39 2600 11	Washer	2	2	
4	JA 5514 13	Clutch plate assly.	1	1	
5	JA 5514 14	Wheel clutch	1	1	
6	JA 5514 19	Plate clutch	4	4	
7	JA 5514 18	Plate friction	4	4	(45 Segments)
8	JA 5514 17	Plate friction reduced	1	1	(30 Segments)
9	JA 5514 21	Plate judder	1	1	One side chamfer
10	JA 5514 22	Spring judder	1	1	
11	JA 5514 15	Hub clutch	1	1	
12	JA 5514 23	Compression spring	4	4	
13	JA 5514 05	Holder	1	1	
14	39 1553 04	Bolt flanged M6	4	4	
15	JA 5514 16	Washer Belleville	1	1	
16	JA 5514 20	Washer plain	1	1	
17	JA 5310 07	Nut	1	1	

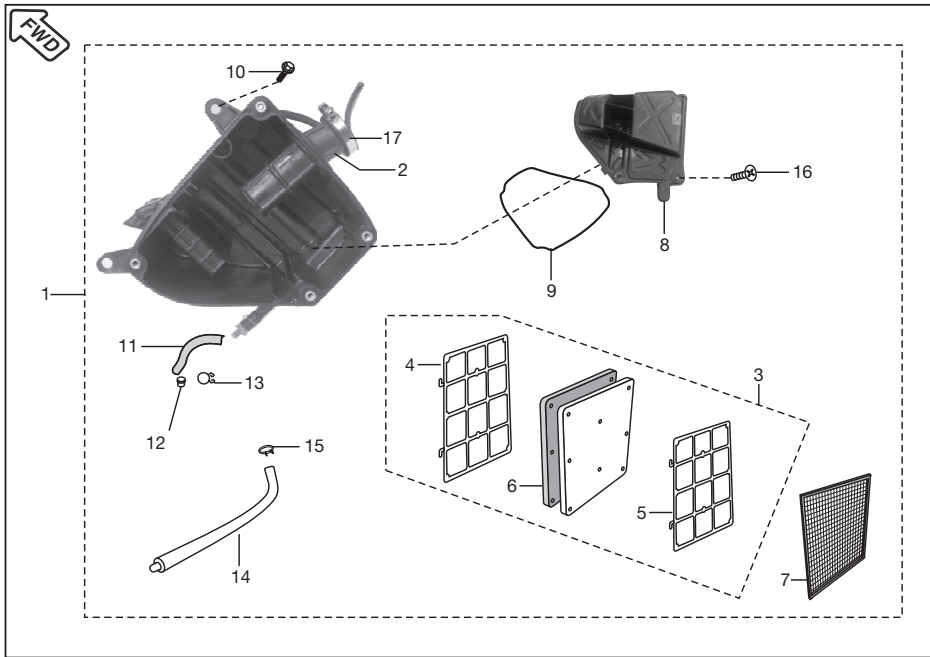




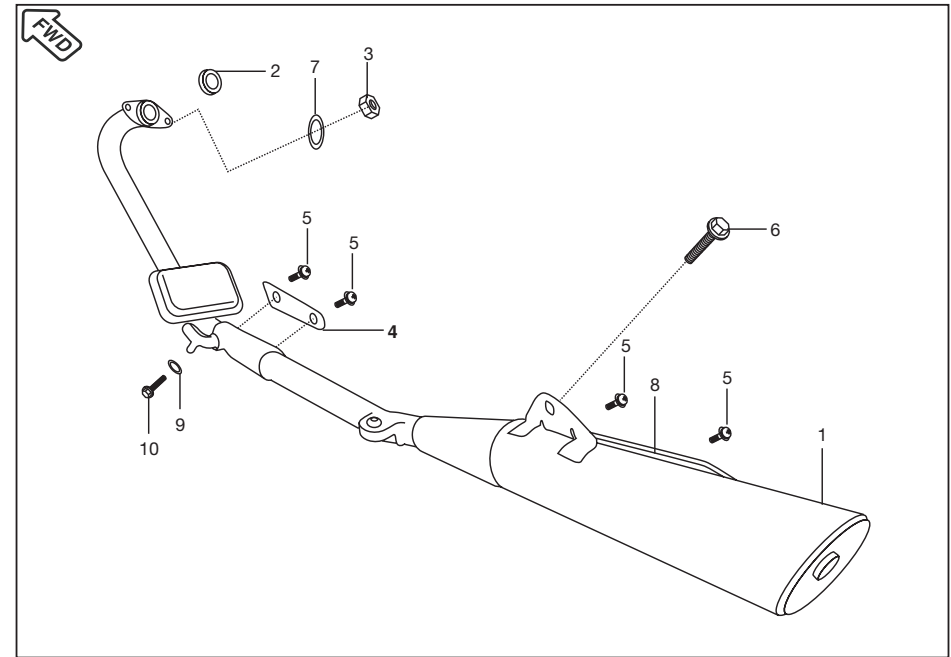
No.	Part No.	Description	15A ES	15B KS	Remarks
1	JA 6212 01	Lever assly. kick	1	1	
2	DP 1510 18	Bolt	1	1	
3	36 DU10 07	Boss kick set	1	1	Ref. page no. 60
4	DH 1011 25	Spring kick start return	1	1	
5	39 0993 11	Plain washer	3	3	
6	39 0738 17	External circlip type C	2	2	
7	JA 6210 01	Shaft kick	1	1	
8	DS 1011 17	Spring kick starter ratchet	1	1	
9	JA 6210 02	Ratchet	1	1	
10	JA 6210 03	Gear spur kick starter	1	1	
11	JA 6210 06	Washer thrust (16.2x25x0.5 )	1	1	
12	39 2408 17	External circlip	1	1	
13	DD 1010 97	Damper	1	1	



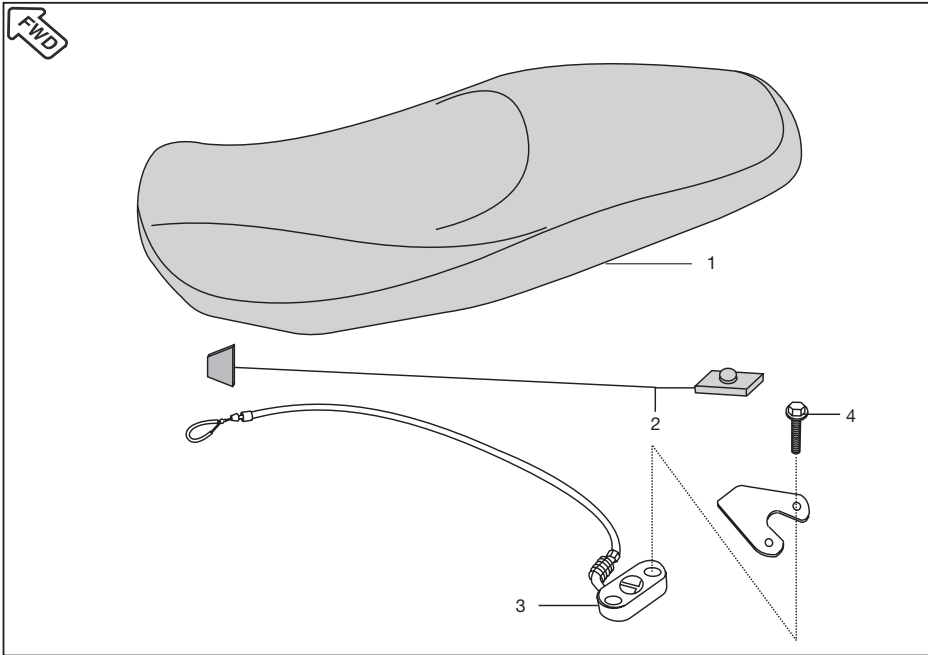
No.	Part No.	Description	16A ES	16B KS	Remarks
1	JB 5812 08	Carburettor assly.	1	1	
2	JA 5812 32	Gasket float chamber	1	1	
3	CB 1210 61	Cable adjuster	1	1	
4	JA 5812 45	Piston valve kit	1	1	Ref. page no. 61
5	24 1213 65	Float assly	1	1	
6	JB 5812 02	Throttle position sensor	1	1	
7	JA 5812 38	"O" ring (TPS)	1	1	
8	JA 5812 39	Solenoid choke assly	1	1	
9	JA 5812 40	"O" ring (solenoid fixing)	1	1	
10	JA 5812 33	Screw	2	2	
11	36 JK00 03	Air screw kit	1	1	Ref. page no. 60
12	JA 5812 43	Idling screw kit	1	1	Ref. page no. 60
13	36 JK00 05	Jet kit	1	1	Ref. page no. 60
14	JA 5812 21	Needle valve assly	1	1	
15	24 1210 69	Pin float	1	1	N.I.



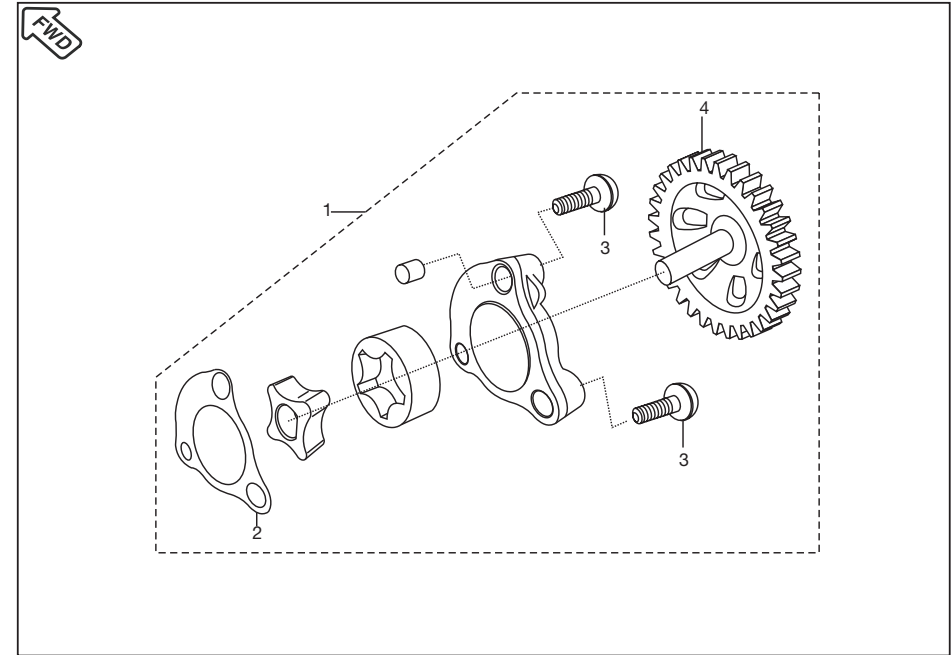
No.	Part No.	Description	17A ES	17B KS	Remarks
1	JB 5810 06	Air filter assly	1	1	
2	JB 5810 03	Air Filter duct	1	1	
3	JB 5810 13	Cartridge assly.	1	1	
4	JB 5810 08	Holder element A	1	1	
5	JB 5810 09	Holder element B	1	1	
6	JB 5810 05	Element air filter	1	1	
7	DP 1210 30	Flame arrestor	1	1	
8	JB 5810 11	Cap Air Filter	1	1	
9	JA 5810 12	"O" ring	1	1	
10	39 1773 04	Flange bolt	4	4	
11	JA 5810 12	Tube Oil Drain	1	1	
12	DS 1211 26	Plug (Drain tube)	1	1	
13	DP 1210 25	Clamp	1	1	
14	JA 5110 11	Hose breather	1	1	
15	JA 5110 29	Clamp breather tube	1	1	



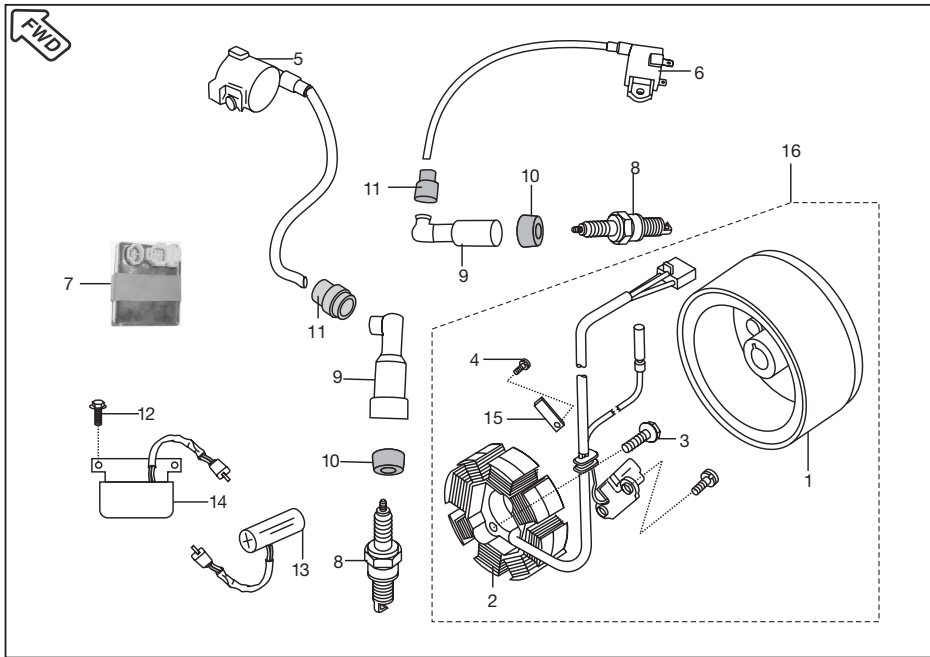
No.	Part No.	Description	18A ES	18B KS	Remarks
1	JB 5910 27	Silencer assly. W/o shield	1	1	
2	CB 1011 14	Gasket exhaust mtg.	1	1	
3	JA 5910 40	Flange nut	2	2	
4	JB 5910 26	Shield silencer	1	1	
5	DH 1016 07	Trues screw	4	4	
6	JB 1130 04	Hex head bolt flange	1	1	
7	39 2492 11	Plain washer	1	1	
8	JA 5910 37	Shield CAT	1	1	
9	39 2492 11	Plain washer	1	1	
10	39 2754 04	Bolt	1	1	



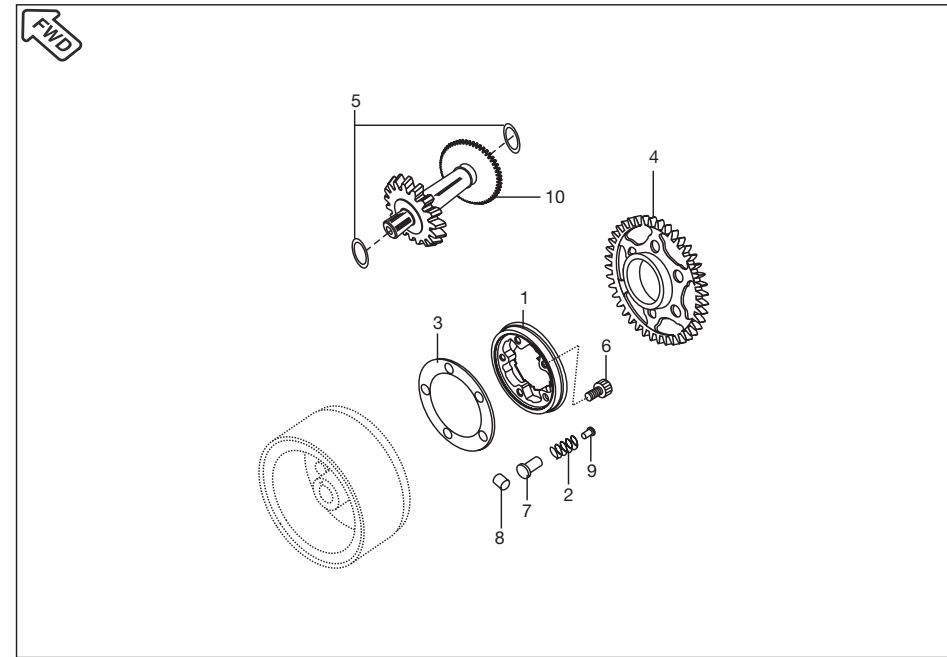
No.	Part No.	Description	19A ES	19B KS	Remarks
1	JK 1910 03	Seat assly. complete	1	1	
2	36 JB00 08	Seat damper kit	1	1	Ref. page no. 61
3	DP 1611 02	Lock assly. seat	1	1	
4	39 0743 01	Screw CSK cross (M6)	2	2	



No.	Part No.	Description	20A ES	20B KS	Remarks
1	52 JA00 23	Oil pump assly.	1	1	
2	JA 5410 16	Gasket case oil pump	1	1	
3	39 0753 01	Screw pan cross M6	3	3	
4	JA 5410 18	Gear driven + shaft oil pump	1	1	



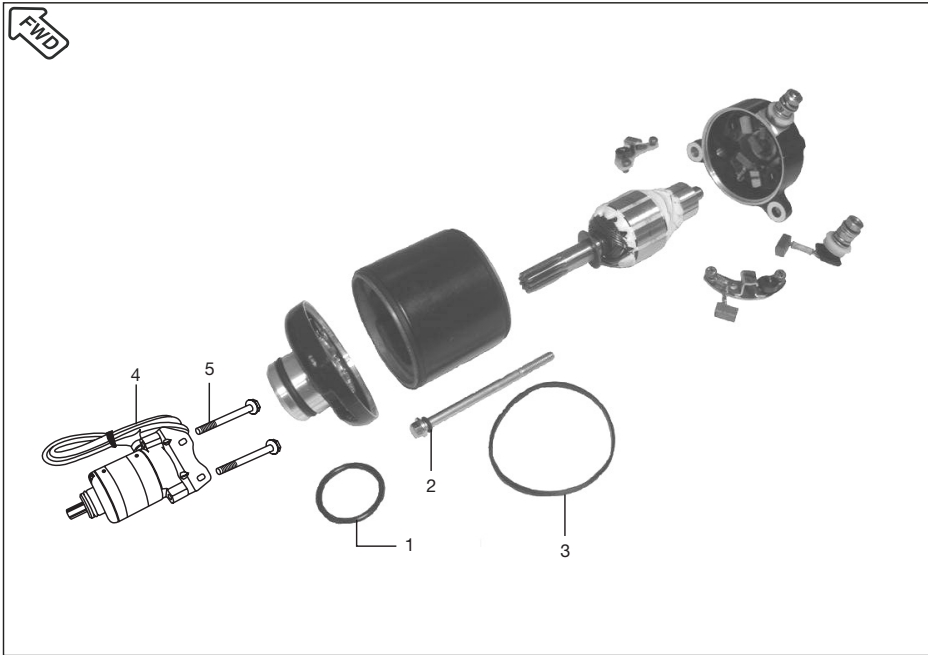
No.	Part No.	Description	21A ES	21B KS	Remarks
1	JA 3510 15	Rotor assly.	1	--	
	JP 3510 01	Rotor assly.	--	1	
2	JK 3510 01	Stator assly. complete	1	--	
	JP 3510 07	Stator assly. complete	--	1	
3	39 1674 04	Bolt flange	2	2	
4	39 0746 01	Pan head screw M6	3	3	
5	JK 3512 01	H.T. Coil LH	1	1	
6	JK 3512 02	H.T. Coil RH	1	1	
7	JK 3512 00	C.D.I. assly.	1	1	
8	DG 1110 08	Spark plug	2	2	
9	DD 1110 48	Spark plug cap	2	2	
10	DD 1110 11	Grommet spark plug cap	2	2	
11	DD 1110 12	Grommet for HT cable	2	2	
12	59 0400 18	Bolt flange	2	2	
13	DU 2010 63	Capacitor	1	1	
14	JK 4020 00	DC Regulator	1	1	
15	JA 5410 28	Lock plate	1	1	
16	JK 3510 00	Magneto assembly complete	1	--	
	JP 3510 06	Magneto assembly complete	--	1	



No.	Part No.	Description	22A ES	22B KS	Remarks
1	JA 6214 16	Body comp. starter clutch	1	--	
2	JA 6214 12	Spring starter clutch	5	--	
3	DH 1017 81	Plate roller clutch	1	--	
4	JA 6214 10	Gear starter clutch	1	--	
5	JA 6214 02	Washer	2	--	
6	39 2437 04	Bolt socket	3	--	
7	DJ 1011 09	Bush for Spring Starter	5	--	
8	DH 1011 63	Roller clutch (Dia 12x10)	5	--	
9	JA 6214 11	Bush Spring Starter Clutch	5	--	
10	JA 6214 06	Starter drive assly.	1	--	

Brand ID: 001MC636

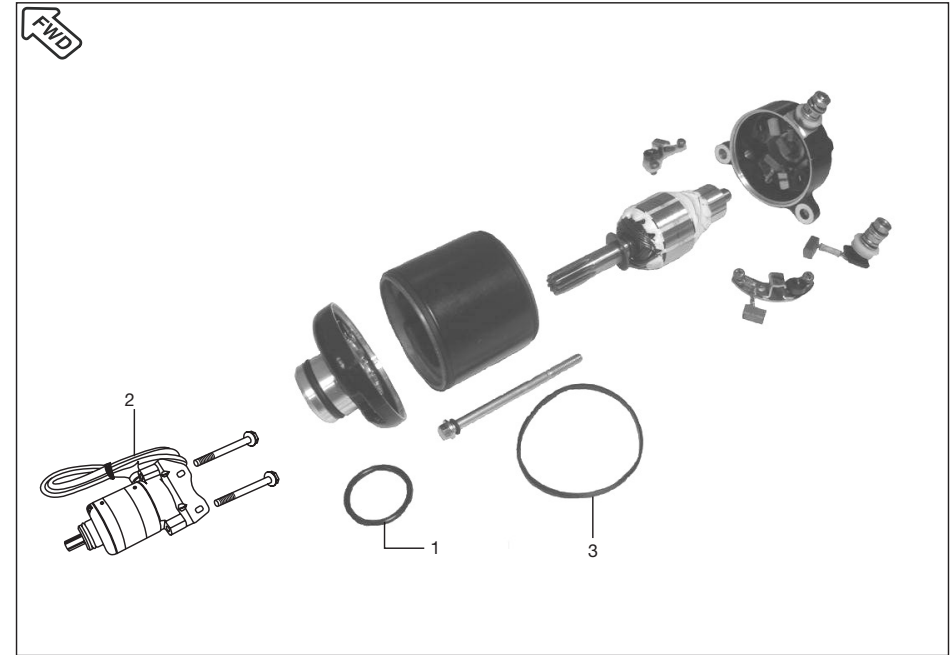
Plate No. 23 : MOTOR ASSLY STARTER (FLASH MAKE)



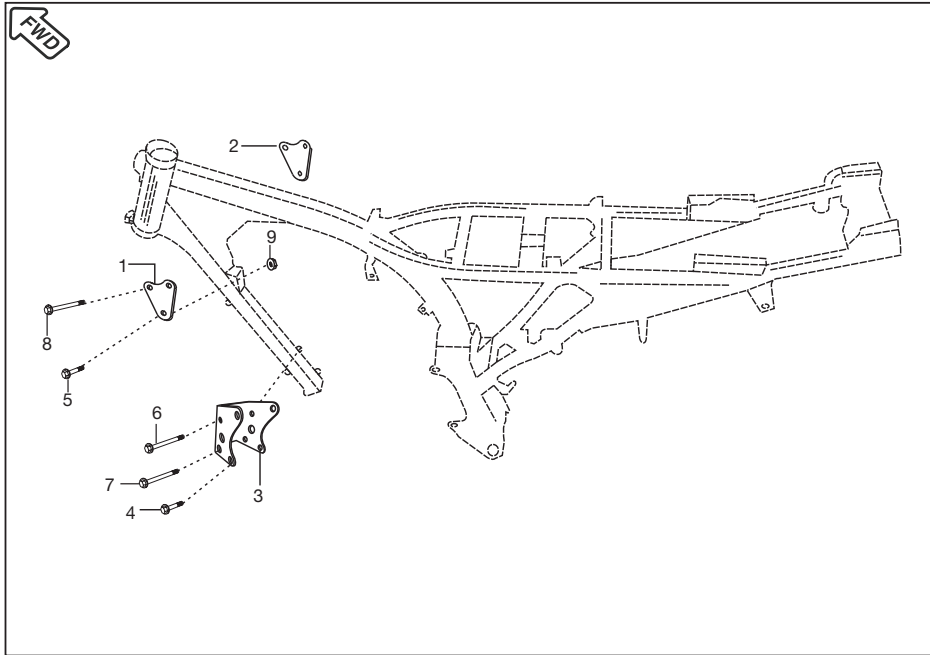
No.	Part No.	Description	23A ES	23B KS	Remarks
1	JA 3516 02	"O" ring for Spigot	1	--	
2	JA 3516 04	"O" ring for tie bolt	1	--	
3	JA 3516 06	Sealing Ring	1	--	
4	JA 3516 00	Motor Assly. Stater	1	--	
5	JA 5210 19	Fixing bolt	2	--	

Brand ID: 001MC636

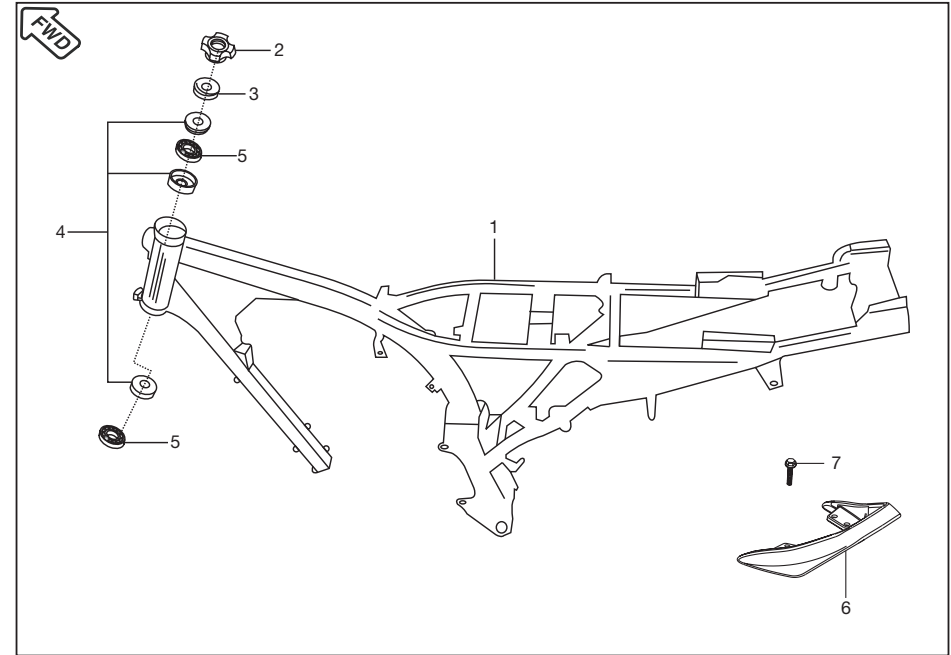
Plate No. 23A : MOTOR ASSLY STARTER (TVS MAKE)



No.	Part No.	Description	23AA ES	23BB KS	Remarks
1	JA 3516 27	"O" Ring Spigot	1	--	
2	JA 3516 00	Motor Assly.	1	--	
3	JA 3516 26	"O" ring yoke seal	1	--	



No.	Part No.	Description	24A ES	24B KS	Remarks
1	JK 1134 01	Bracket engine hanger LH	1	1	
2	JK 1134 02	Bracket engine hanger RH	1	1	
3	JK 1134 00	Engine Mounting bracket front	1	1	
4	39 2723 15	Hex Nut Flanged	2	2	
5	JA 1134 03	Bolt Flanged	2	2	for engine mtg.
6	JA 1134 04	Bolt flanged	3	3	for engine mtg.
7	39 2312 04	Bolt Flanged	3	3	
8	59 0400 17	Hex Bolt Flanged	1	1	
9	39 1970 15	Nut Flanged	7	7	

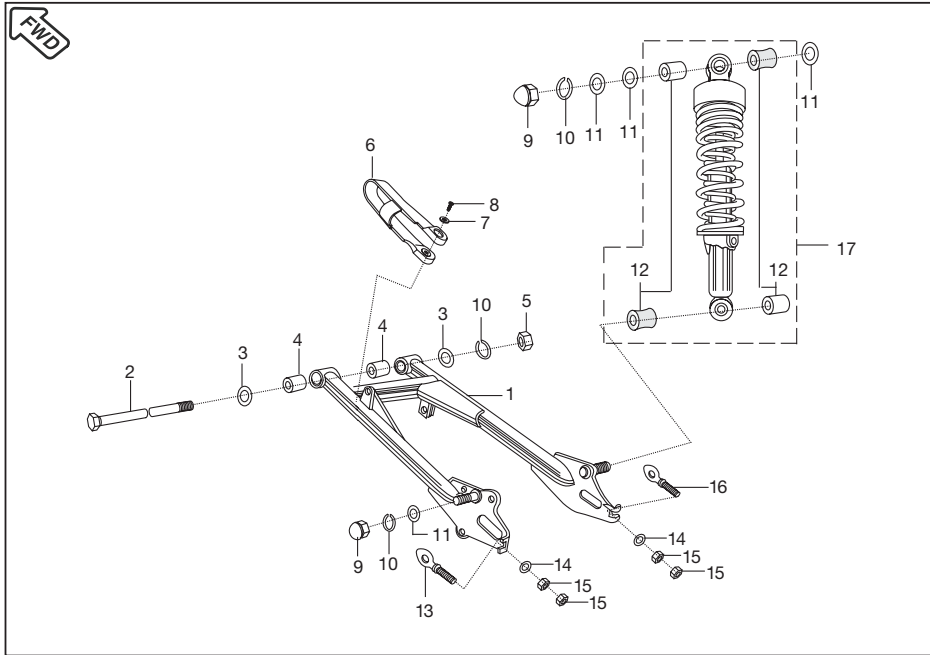


No.	Part No.	Description	25A ES	25B KS	Remarks
1	JK 1110 50	Frame Assly. comp.	1	1	
2	DF 1810 90	Nut Fork	1	1	
3	DF 1810 52	Steering cap	1	1	
4	36 3140 01	Bearing cone Kit	1	1	Ref. page no. 61
5	DJ 1811 15	Cage Bearing	2	2	
6	JK 2314 00	Grip frame	1	1	
7	39 2205 04	Flanged bolt	2	2	

Brand ID: 001MC636

Plate No. 26 : SWING ARM / REAR SHOCK ABSORBER

BAJAJ  
PLATINA 125  
DTS-SI

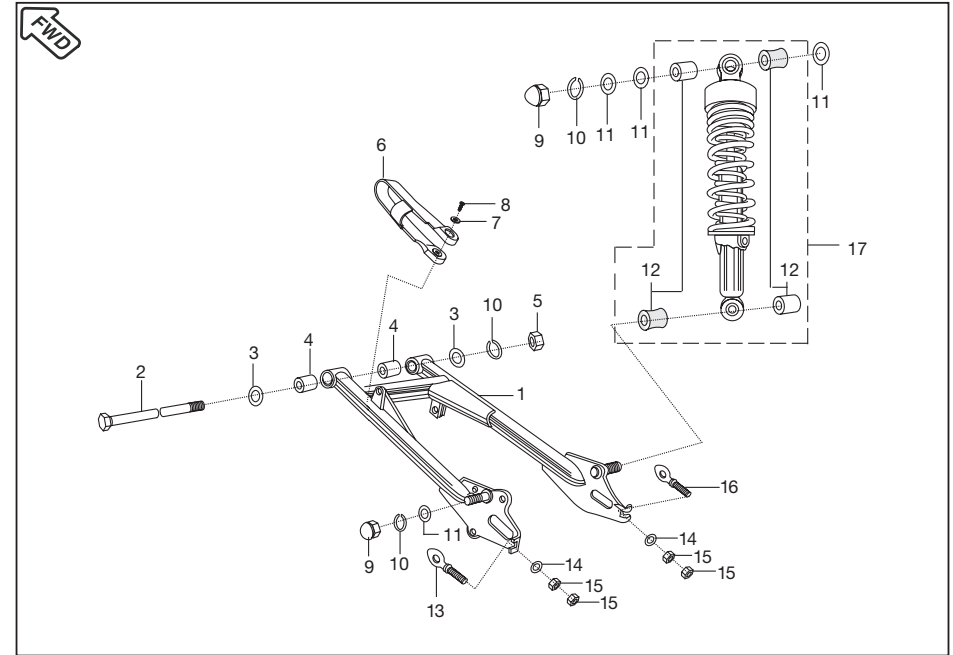


No.	Part No.	Description	26A ES	26B KS	Remarks
1	DZ 1710 14	Arm Comp. Swing / Bush	1	1	
2	JK 1220 06	Shaft Swing Arm	1	1	
3	JB 1310 18	Plain Washer	4	4	
4	DP 1710 06	Bushing Rubber	2	2	
5	JK 1220 08	Nut Hex./ flange	1	1	
6	DZ 1710 09	Damper for Swing arm	1	1	
7	39 0454 11	Plain washer	2	2	
8	39 0553 02	Self tapping Screw	2	2	
9	JK 1220 07	Domed Cap Nut	4	4	
10	JK 1220 09	Washer Spring	4	4	
11	JB 1220 11	Washer Plain	8	8	
12	36 DF17 01	Rubber Inner Bush kit	1	1	Refer page no. 62
13	JK 1220 05	Adjuster Chain (RH)	1	1	

Brand ID: 001MC636

Plate No. 26 : SWING ARM / REAR SHOCK ABSORBER

BAJAJ  
PLATINA 125  
DTS-SI

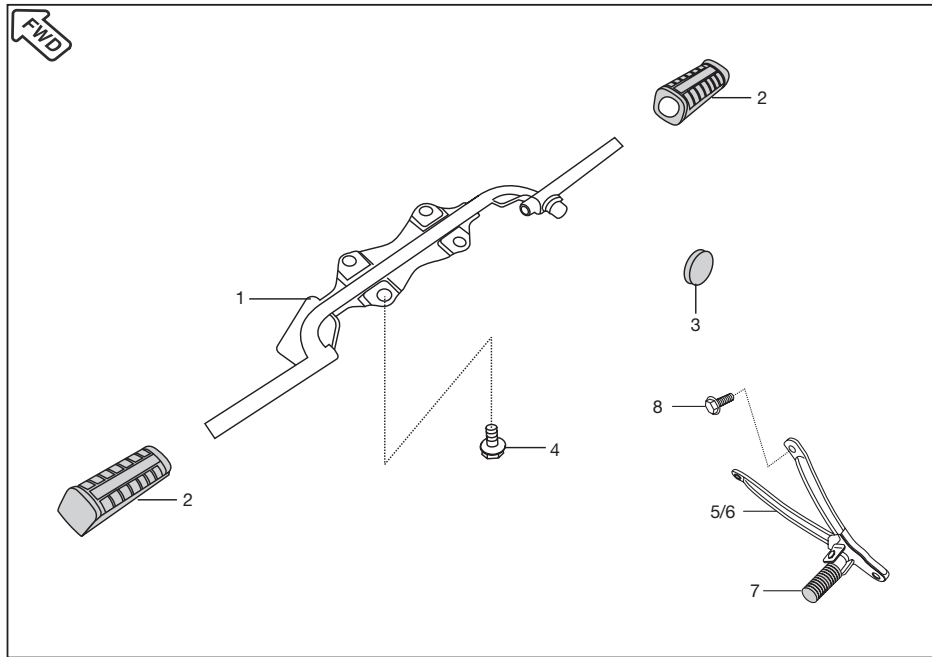


No.	Part No.	Description	26A ES	26B KS	Remarks
14	39 1309 11	Washer Plain	2	2	
15	39 2122 15	Hex Nut	4	4	
16	JK 1220 03	Adjuster Chain (LH)	1	1	
17	DZ 1710 16	Rear Shock Absorber	2	2	



Brand ID: 001MC636

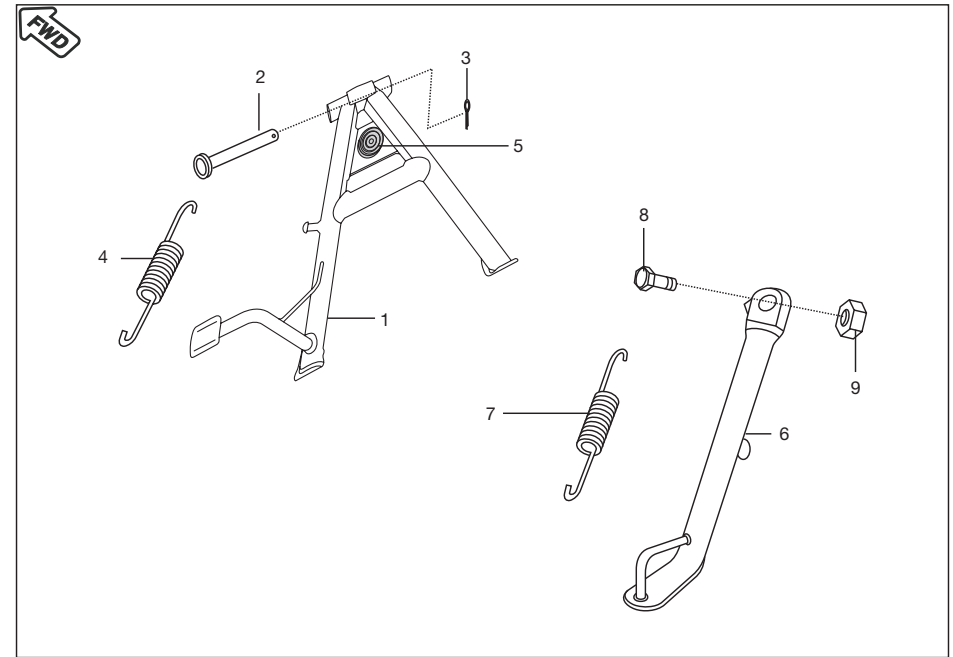
Plate No. 27 : STAY MAIN STEP / STAY LH/RH



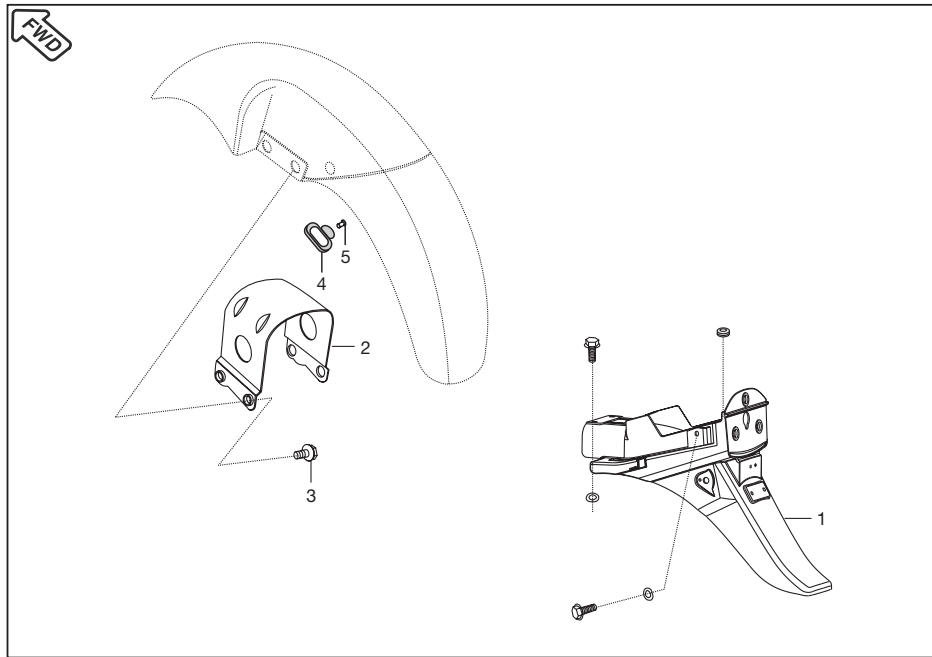
No.	Part No.	Description	27A ES	27B KS	Remarks
1	JK 1130 05	Stay main step fix	1	1	
2	DF 1614 13	Damper step front in PVC	2	2	
3	DH 1611 94	Stopper kick	1	1	
4	JK 1130 09	Flange bolt M8	4	4	
5	JK 1130 06	Stay LH	1	1	
6	JK 1130 07	Stay RH	1	1	
7	JK 1130 08	Damper step	2	2	
8	JK 1130 09	Hex bolt (M8)	2	2	

Brand ID: 001MC636

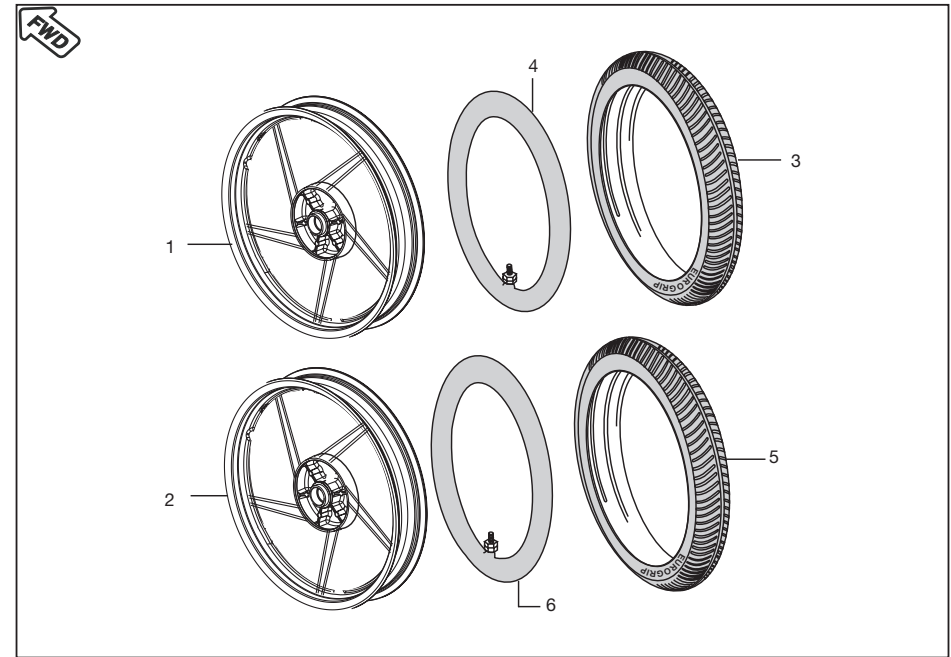
Plate No. 28 : STAND ASSLY (CENTER / SIDE)



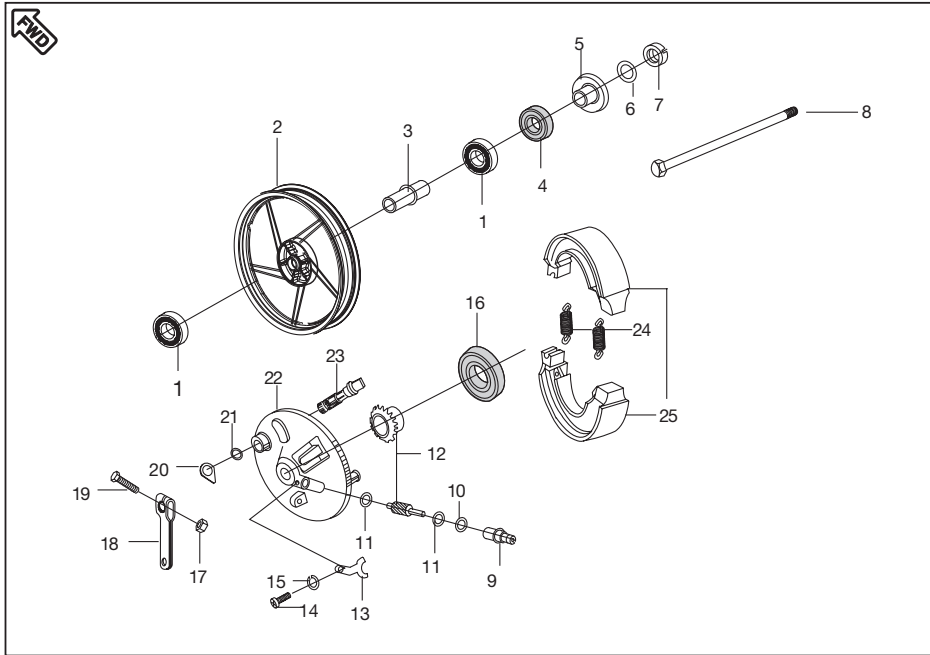
No.	Part No.	Description	28A ES	28B KS	Remarks
1	JK 1132 01	Center stand	1	1	
2	JK 1132 02	Shaft stand	1	1	
3	39 0797 08	Pin cotter	1	1	
4	JK 1132 04	Spring main stand	1	1	
5	DG 1612 24	Damper	1	1	Alternate JN 1132 00
6	JK 1132 03	Stand side	1	1	
7	DH 1610 66	Spring side stand	1	1	
8	DF 1611 02	Bolt	1	1	
9	39 0422 15	Nut nyloc M10	1	1	



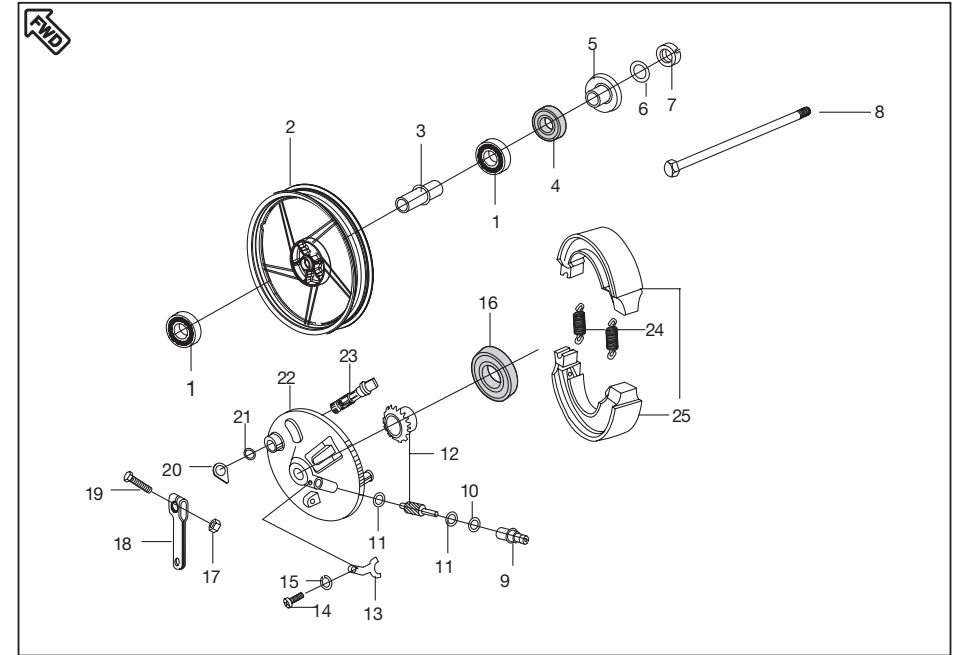
No.	Part No.	Description	29A ES	29B KS	Remarks
1	DP 1610 07	Fender rear	1	1	
2	DU 1610 98	Brace fender front	1	1	
3	39 2222 04	Flanged bolt (M8)	4	4	
4	DS 1611 25	Cable guide	1	1	
5	DJ 1610 69	Nail for cable guide	1	1	



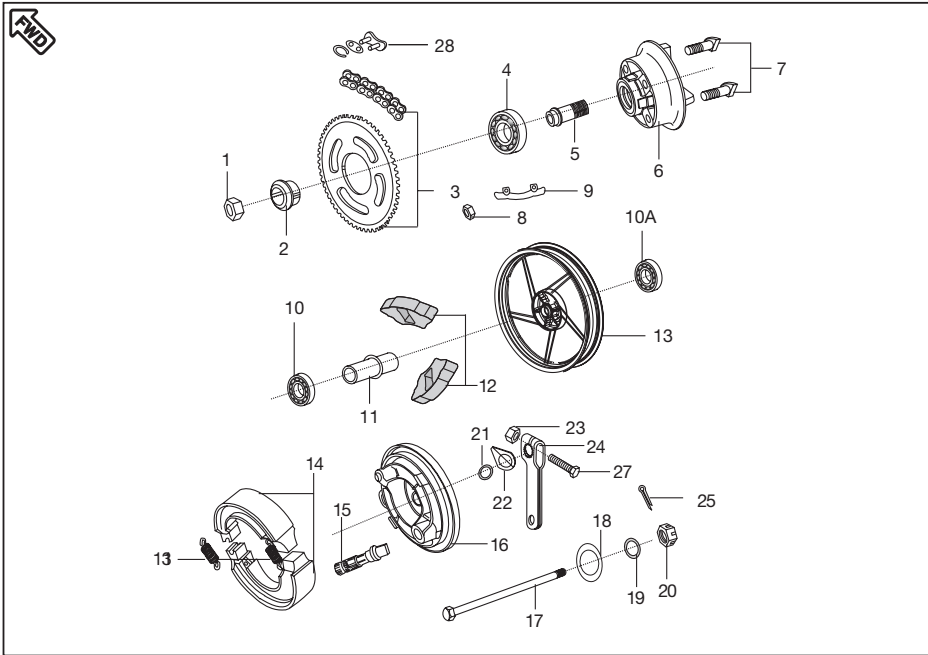
No.	Part No.	Description	30A ES	30B KS	Remarks
1	JK 1310 17	Wheel Rim Front	1	1	
2	JB 1312 22	Wheel Rim Rear	1	1	
3	DM 1510 25	Tyre Front	1	1	} Not Serviceable
4	DS 1510 49	Tube Front	1	1	
5	DM 1510 28	Tyre Rear	1	1	
6	DS 1510 53	Tube Rear	1	1	



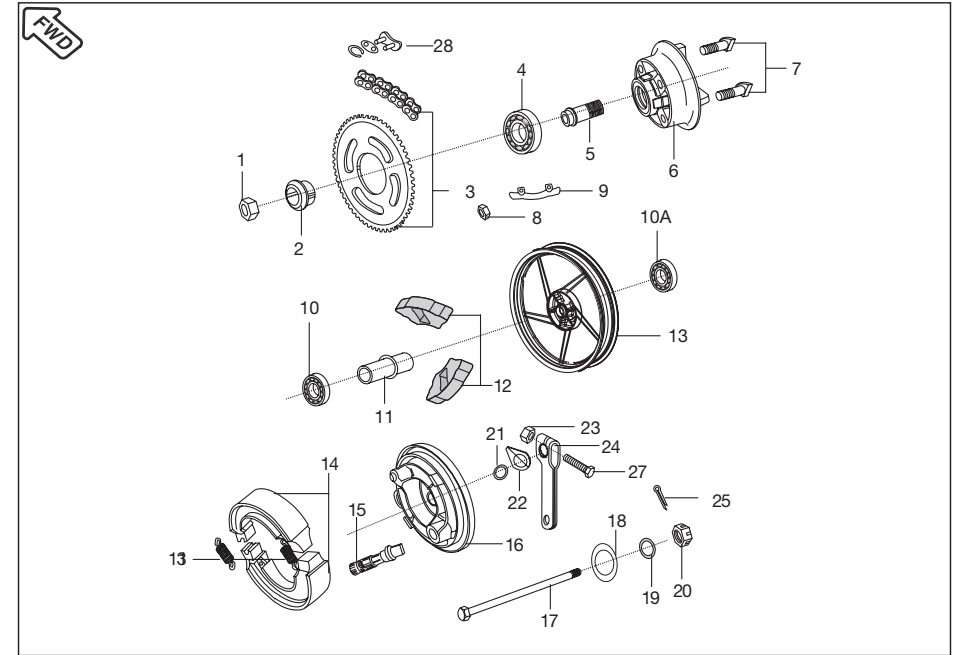
No.	Part No.	Description	31A ES	31B KS	Remarks
1	39 2688 20	Bearing Ball	2	2	
2	JK 1310 17	Front wheel 1.4 x 17	1	1	
3	JK 1316 06	Collar	1	1	
4	30 1510 33	Oil seal	1	1	
5	JK 1316 05	Collar Axle Assly.	1	1	
6	JB 1310 18	Plain Washer	1	1	
7	JB 1310 19	Nut Hex Slotted	1	1	
8	JK 1310 15	Axle	1	1	
9	JA 1316 06	Bushing	1	1	
10	39 1013 21	Ring 'O'	1	1	
11	30 1510 42	Washer	2	2	
12	36 DZ00 08	Gear Meter Screw Kit	1	1	Refer page no. 61
13	JK 1310 16	Stopper For Bushing	1	1	
14	JK 1310 18	Screw Pan Cross	1	1	
15	JK 1310 19	Spring Washer	1	1	



No.	Part No.	Description	31A ES	31B KS	Remarks
16	30 1510 35	Oil Seal	1	1	
17	DS 1510 94	Flange Nut	1	1	
18	DS 1510 92	Lever Brake Cam	1	1	
19	DS 1510 95	Bolt	1	1	
20	DS 1510 91	Indicator Front	1	1	
21	30 1510 38	"O" ring	1	1	
22	JK 1316 04	Panel Front Brake	1	1	
23	DS 1510 89	Cam Brake	1	1	
24	30 1510 69	Spring	2	2	
25	30 1511 05	Shoe Brake	2	2	



No.	Part No.	Description	32A ES	32B KS	Remarks
1	JB 1312 25	Nut Hex	1	1	
2	DS 1510 90	Indicator	1	1	
3	36 JB00 03	Chain Sprocket Kit	1	1	Refer page no. 61
4	39 2240 20	Bearing Ball	1	1	
5	JK 1312 02	Sleeve	1	1	
6	DU 1510 10	Coupling	1	1	
7	39 0978 04	'D' bolt M-10	4	4	
8	39 0794 15	Nut Hex Fine	4	4	
9	31 1510 29	Lock Washer	2	2	
10	39 2682 20	Ball bearing (12x37x12)	1	1	
10A	39 1364 20	Ball bearing (12x32x10)	1	1	
11	31 1510 18	Collar Bearing	2	2	
12	DX 1510 25	Coupling Rubber Integral	4	4	
13	JB 1312 22	Wheel 1.6 x 17	1	1	
14	30 1510 69	Spring	2	2	
15	31 1510 60	Shoe Brake	1	1	



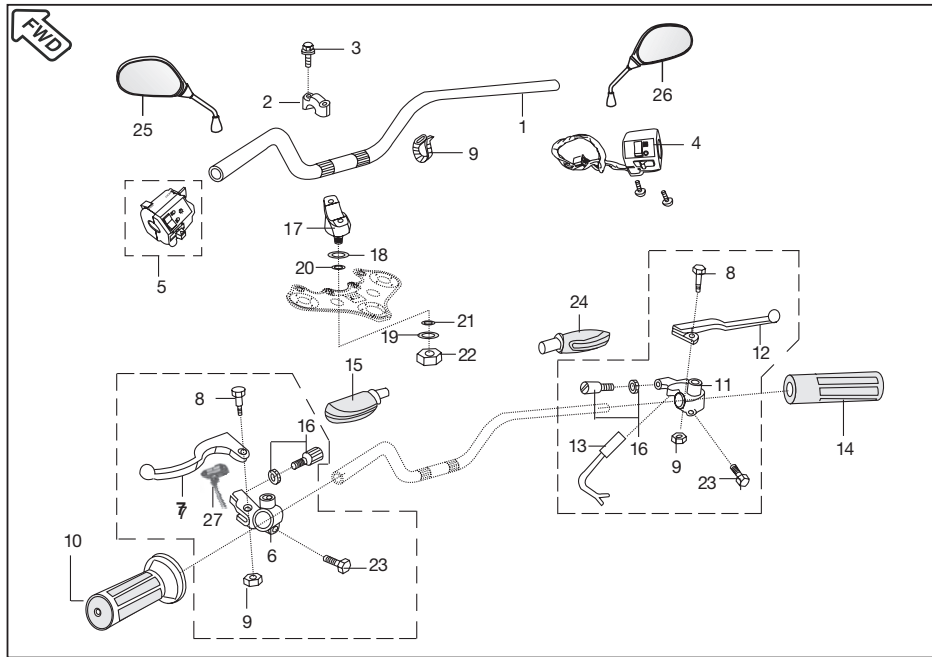
No.	Part No.	Description	32A ES	32B KS	Remarks
16	31 1510 23	Brake Cam	1	1	
17	JA 1312 05	Panel Rear Brake	1	1	
18	JK 1312 01	Axle	1	1	
19	JK 1312 04	Collar	1	1	
20	DX 1510 18	Washer Plain	4	4	
21	39 0708 15	'U' nut M12x1.25	4	4	
22	30 1510 38	Ring 'O'	1	1	
23	JK 1312 03	Collar	1	1	
24	DS 1510 94	Hex Nut	1	1	
25	JB 1316 05	Lever Brake	1	1	
26	39 0807 08	Pin Cotter	1	1	
27	DS 1510 94	Hex Nut / Flange M6	1	1	
28	JB 1410 01	Chain lock set	1	1	



Brand ID: 001MC636

Plate No. 34 : HANDLE BAR

BAJAJ  
PLATINA 125  
DTS-SI

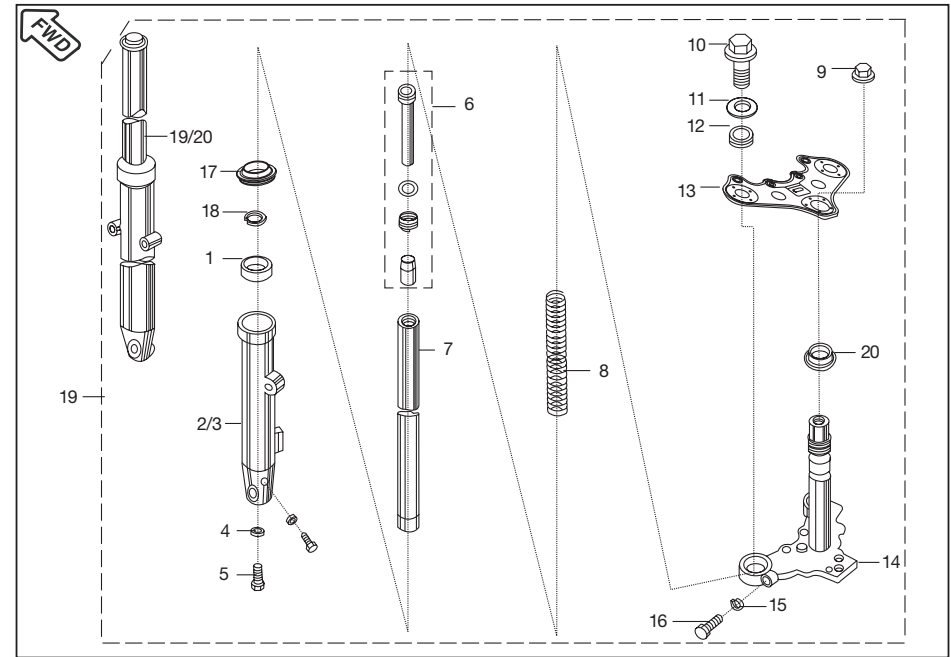


No.	Part No.	Description	34A ES	34B KS	Remarks
16	36 DU19 01	Cable Adjuster kit	1	1	Ref. Page No. 61
17	FD 1810 31	Holder Handle Lower	2	2	
18	DF 1810 91	Damper Handle Upper	2	2	
19	DF 1810 92	Damper Handle Lower	2	2	
20	FD 1810 19	Washer Plain Upper	2	2	
21	FD 1810 20	Washer Plain Lower	2	2	
22	39 2249 15	Nylock Nut	2	2	
23	DD 1911 47	Adjusting screw	2	2	
24	DS 1910 18	Boot For Lever RH	1	1	
25	DJ 2210 03	Mirror assly. LH	1	1	
26	DJ 2210 04	Mirror assly. RH	1	1	
27	JB 4014 09	Clutch switch	1	--	

Brand ID: 001MC636

Plate No. 35 : FRONT FORK

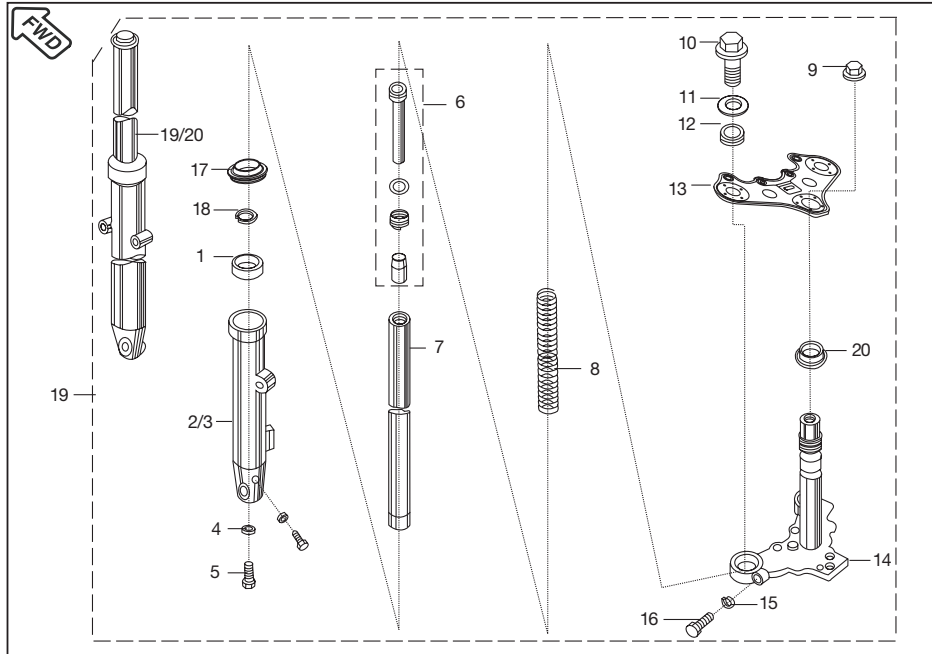
BAJAJ  
PLATINA 125  
DTS-SI



No.	Part No.	Description	35A ES	35B KS	Remarks
1	DL 1810 80	Seal Oil	1	1	
2	JK 1210 03	Pipe Left Fork Outer	1	1	
3	JK 1210 06	Pipe Right Fork Outer	1	1	
4	30 1810 26	Gasket	2	2	
5	30 1810 25	Bolt	2	2	
6	30 1810 18	Cyl. Complete Fork	2	2	
7	DM 1810 36	Pipe Comp. Susp. Inner	2	2	
8	DE 1810 31	Spring Front Fork	2	2	
9	FD 1810 12	Cap Special Nut	1	1	
10	DU 1810 69	Bolt Fork	2	2	
11	30 1810 29	Ring 'O'	2	2	
12	DF 1810 85	Seat Fork Spring	2	2	
13	DD 1812 05	Holder Fork Upper	1	1	
14	DD 1812 07	Holder Fork Under	1	1	
15	39 0789 12	Washer Spring	2	2	

Brand ID: 001MC636

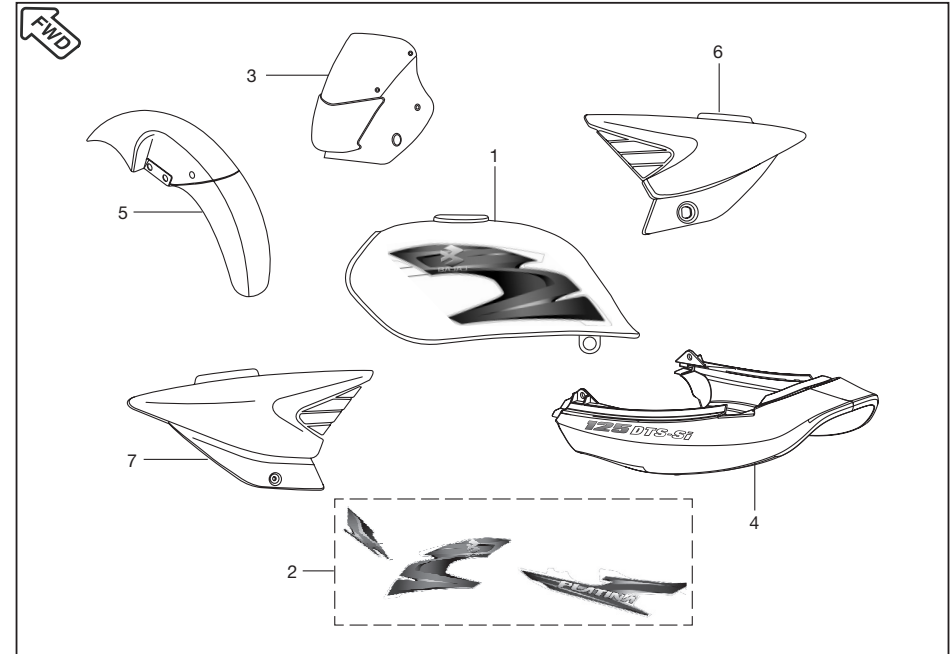
Plate No. 35 : FRONT FORK



No.	Part No.	Description	35A ES	35B KS	Remarks
16	39 1813 04	Bolt Hex.	2	2	
17	DD 1810 11	Dust seal	2	2	
18	30 1810 23	Ring snap	2	2	
19	JK 1210 00	Front Fork (axle dia 15)	1	1	
20	36 3140 01	Bearing cone Kit	1	1	Ref. page No. 61

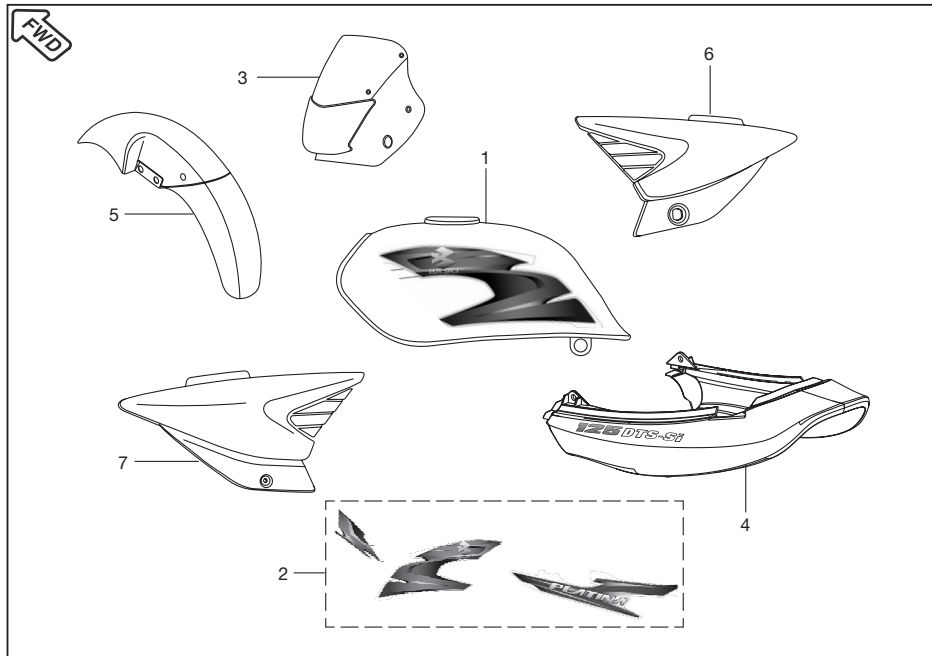
Brand ID: 001MC636

Plate No. 36 : PAINTED PARTS

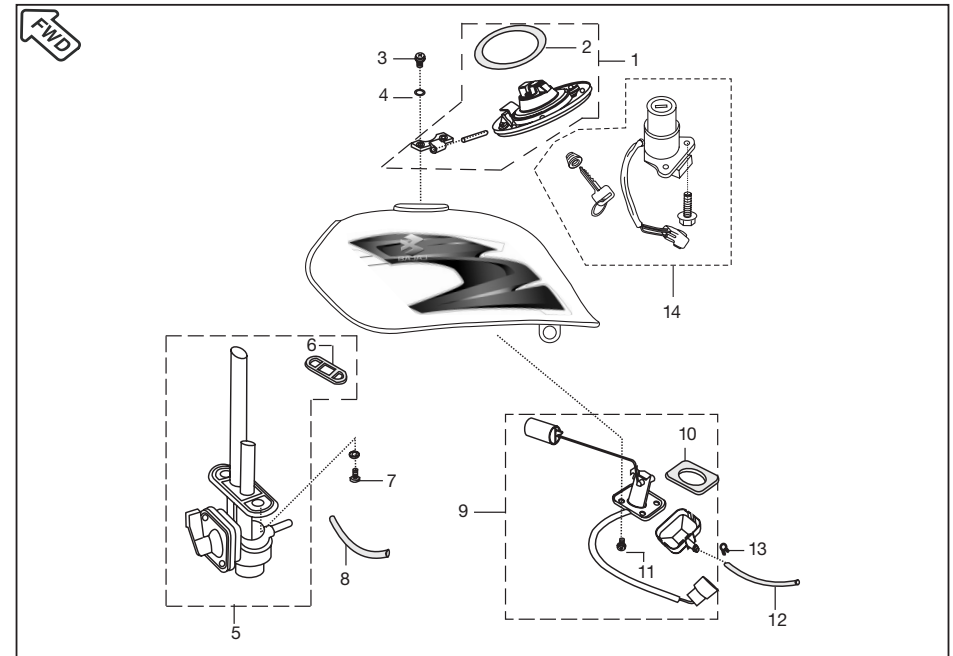


No.	Part No.	Description	36A ES	36B KS	Remarks
1	JK 7102 22	Petrol tank with decal	1	1	Jet black
	JK 7102 2V	Petrol tank with decal	1	1	Cocktail wine red
	JK 7102 3A	Petrol tank with decal	1	1	Long beach blue
	JK 7102 3V	Petrol tank with decal	1	1	Slate gray
2	36 JB00 04	Decal Set	1	1	Jet black
	36 JB00 05	Decal Set	1	1	Cocktail wine red
	36 JB00 06	Decal Set	1	1	Long beach blue
	36 JB00 07	Decal Set	1	1	Slate gray
3	JK 7401 22	Fairing with decal	1	1	Jet black
	JK 7401 2V	Fairing with decal	1	1	Cocktail wine red
	JK 7401 3A	Fairing with decal	1	1	Long beach blue
	JK 7401 3V	Fairing with decal	1	1	Slate gray





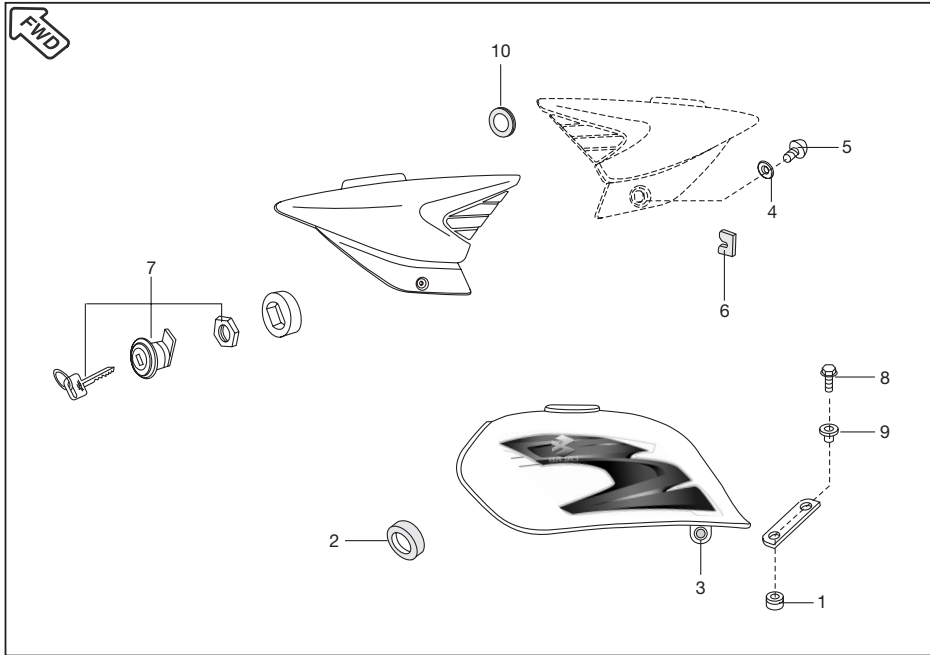
No.	Part No.	Description	36A ES	36B KS	Remarks
4	JK 7303 22	Seat cover with decal	1	1	Jet black
	JK 7303 2V	Seat cover with decal	1	1	Cocktail wine red
	JK 7303 3A	Seat cover with decal	1	1	Long beach blue
	JK 7303 3V	Seat cover with decal	1	1	Slate gray
5	DU 7307 22	Fender Front	1	1	Black chrome
	DZ 7304 2V	Fender Front	1	1	Cocktail wine red
	DZ 7304 3A	Fender Front	1	1	Long beach blue
	DZ 7304 3V	Fender Front	1	1	Slate Gray
6	JK 1812 00	Side cover LH Gri Gray Paint	1	1	
7	JK 7302 1E	Side cover RH Gri Gray paint	1	1	



No.	Part No.	Description	37A ES	37B KS	Remarks
1	DD 1410 24	Cap Assly. Tank	1	1	
2	30 1410 52	Packing (For Cap)	1	1	
3	39 0761 01	Screw Pan Cross	2	2	
4	30 1410 31	O Ring	2	2	
5	DZ 1410 40	Tap Assly.	1	1	
6	30 1410 39	Packing For Tap	1	1	
7	DD 1412 27	Bolt Flanged	2	2	
8	DU 1410 41	Tube Fuel	1	1	
9	DZ 2010 02	Gauge Fuel	1	1	Bolt type design-Waluj
	DZ 2010 19	Gauge Fuel (Octagonal - N.I.)	1	1	Stud type design-Pantnagar
	39 2758 21	'O' ring	1	1	N.I. (Pantnagar)
11	30 1410 32	Bolt	1	1	
12	DZ 1010 34	Tube Rubber	1	1	
13	33 1410 08	Clamp	1	1	
14	JK 2326 00	Lock Assly. 3 IN 1	1	1	

Brand ID: 001MC636

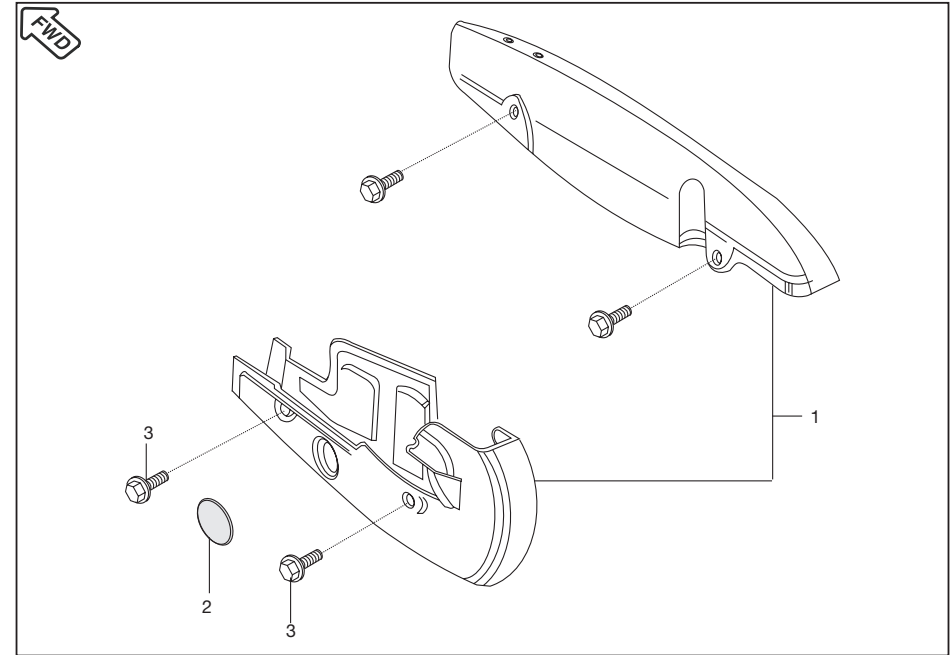
Plate No. 38 : FITTINGS-PETROL TANK & SIDE COVER



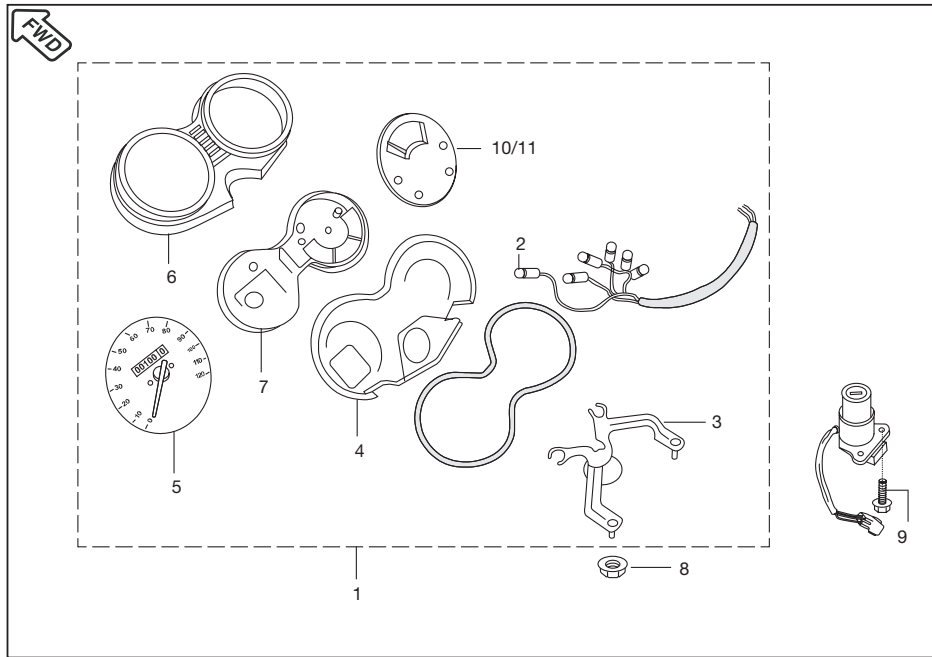
No.	Part No.	Description	38A ES	38B KS	Remarks
1	DG 1410 19	Damper	2	2	Petrol tank fixing plate
2	DF 1411 28	Damper	2	2	Steering tube
3	DG 1611 18	Grommet	2	2	Side cover
4	DP 1610 77	Collars	1	1	
5	DZ 1611 43	Screw	1	1	
6	31 1610 18	Damper	1	1	LH side cover 'C' shape
7	JK 2326 00	Lock Assly. 3 IN 1	1	1	
8	39 1553 04	Flange Bolt	2	2	
9	DU 1410 27	Collar Assly.	2	2	
10	30 1611 69	Damper	1	1	RH side cover

Brand ID: 001MC636

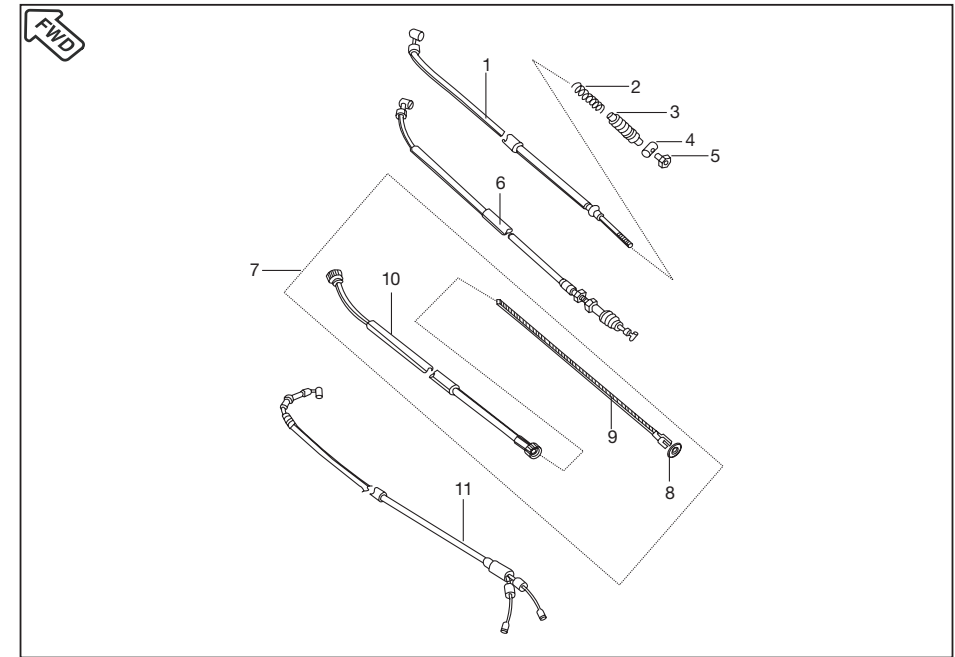
Plate No. 39 : CHAIN CASE



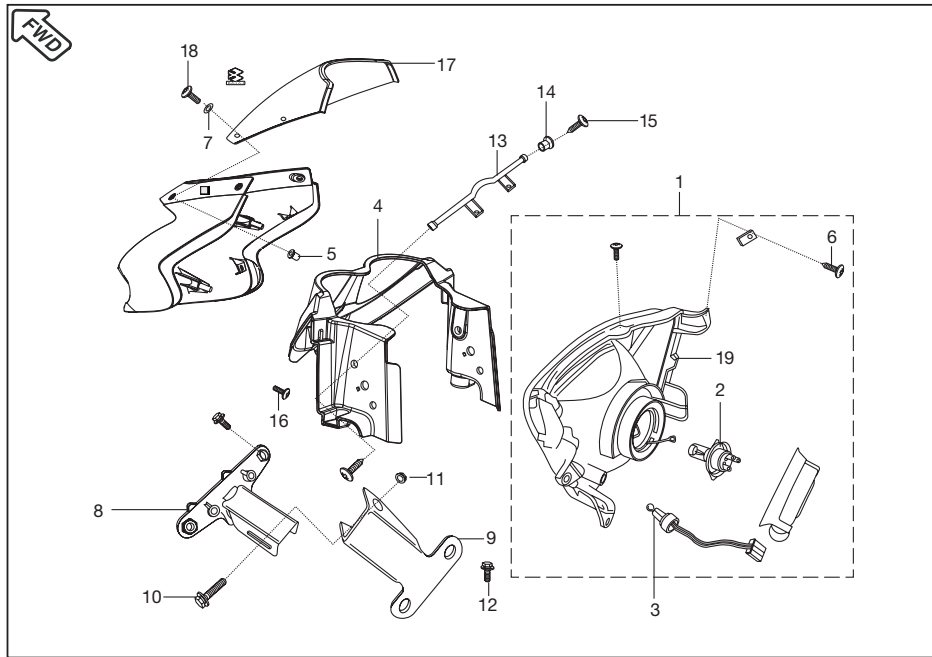
No.	Part No.	Description	39A ES	39B KS	Remarks
1	36 DZ00 01	Case Chain Kit	1	1	Refer page no. 61
2	DF 1614 16	Rubber Cap	1	1	
3	59 0400 28	Flanged Bolt	4	4	



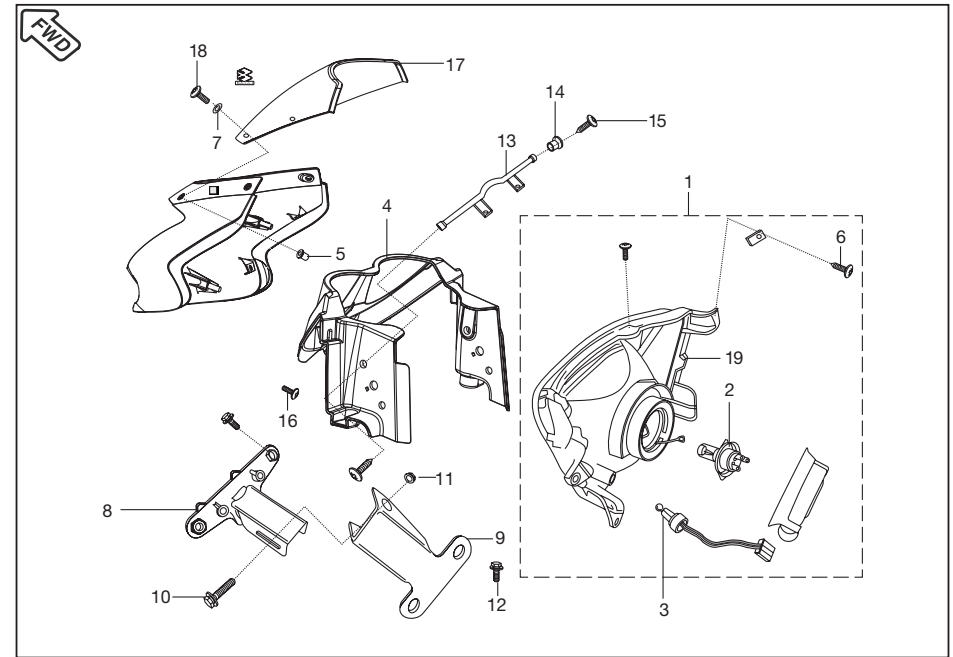
No.	Part No.	Description	40A ES	40B KS	Remarks
1	JK 4024 01	Speedometer Assly Lamp	1	1	
2	DL 1910 20	Lamp 12V 3W (W/o Cap)	4	4	
	CL 2010 42	Lamp 12V 2W (W/o Cap)	2	2	
3	DU 1910 21	Bracket Speedo Mtg.	1	1	
4	DZ 1910 25	Cover Meter Lower Black	1	1	
5	JK 4024 02	Speedometer with dial	1	1	Minda
	JK 4024 03	Speedometer with dial	1	1	Pricol
6	DZ 1910 08	Cover case upper	1	1	
7	DU 1910 24	Cover (white) W/o Support Plate	1	1	
8	39 0798 15	Hex. Nut / Flange	2	2	
9	39 1943 04	Bolt Flanged	2	2	
10	JK 4024 04	Tell tale indicator	1	1	Minda
11	JK 4024 05	Tell tale indicator	1	1	Pricol



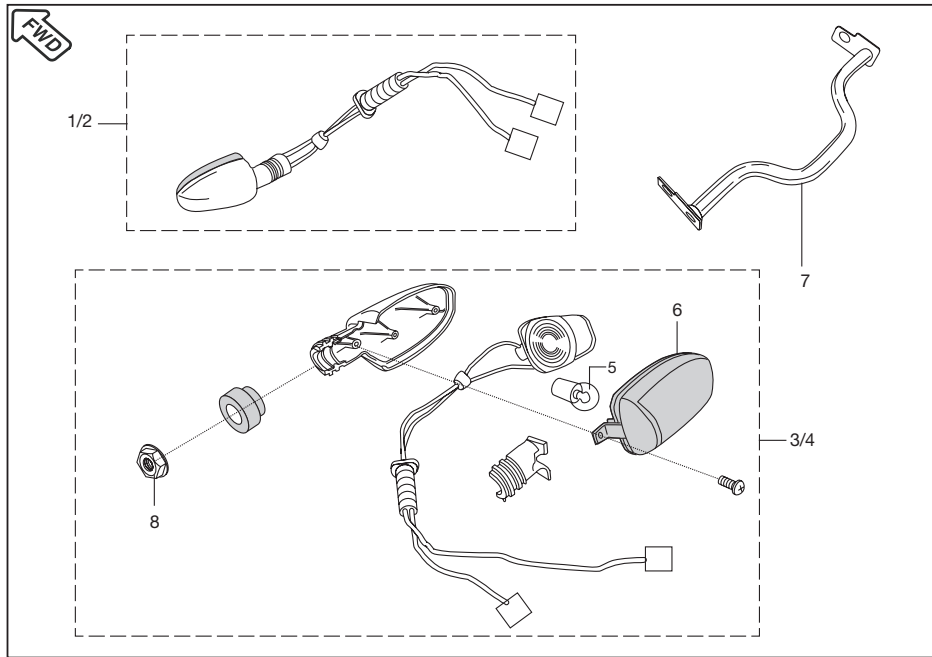
No.	Part No.	Description	41A ES	41B KS	Remarks
1	JK 1612 02	Cable Brake Front	1	1	
2	30 1910 70	Spring	1	1	
3	30 1910 69	Dust Seal	1	1	
4	30 1910 71	Rod End	1	1	
5	30 1910 72	Adjusting Nut	1	1	
6	JK 1612 01	Cable Clutch	1	1	
7	DZ 1910 14	Cable Speedometer	1	1	
8	39 1910 03	Oil Seal	1	1	
9	DZ 1910 19	Inner Cable Speedo	1	1	
10	DZ 1910 20	Outer Cable Speedo	1	1	
11	JK 1612 00	Cable Throttle	1	1	



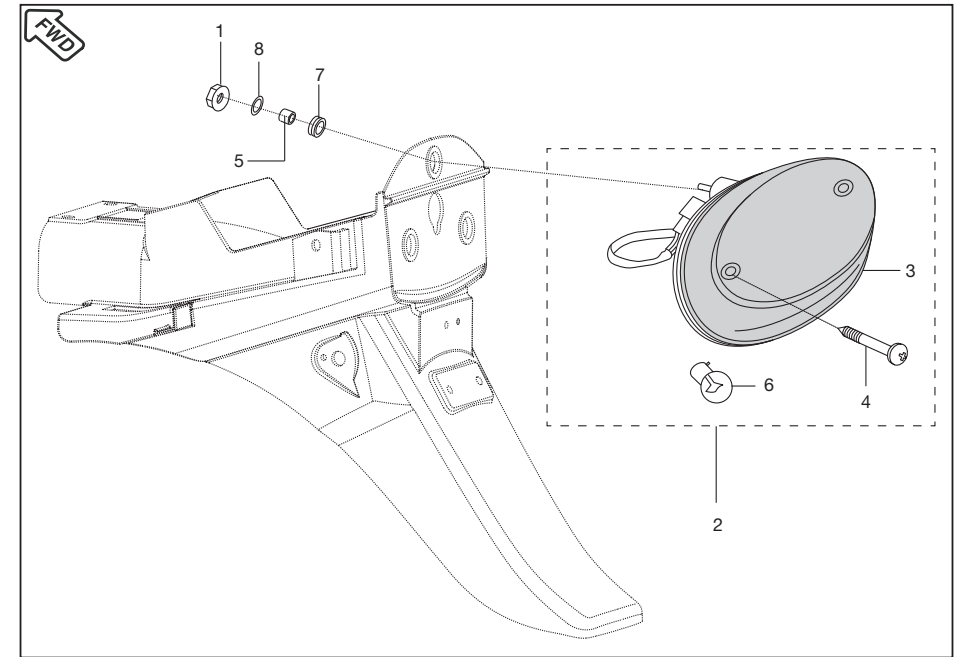
No.	Part No.	Description	42A ES	42B KS	Remarks
1	JK 4010 00	Head Light Assy. / Lamp	1	1	
	JK 4010 01	Head Light Assy. (w/o bulbs)	1	1	
2	CL 2010 23	Lamp 12V-35/35W	1	1	
3	DJ 2010 72	Lamp 12V-5W	1	1	
4	DZ 1810 01	Flap Cowling	1	1	
5	DL 1810 10	Nut Well	4	4	
6	DL 1810 09	Screw	5	5	
7	39 2141 24	Washer (Non metallic)	9	9	
8	DP 1810 12	Bracket Cowling side	1	1	
9	DP 1810 13	Bracket Fork side	1	1	
10	KA DF06 10	Bolt Flanged Small	1	1	
11	39 0858 15	Hex. Nut / Flange	1	1	
12	39 1943 04	Hex. Bolt/ Flange	2	2	
13	DZ 1810 03	Bracket Cowling Upper	1	1	
14	DP 1810 40	Collar	2	2	
15	39 2585 01	Screw	2	2	



No.	Part No.	Description	42A ES	42B KS	Remarks
16	39 0813 02	Cross Rec. Pan Hd. Tp Screw	4	4	
17	DP 1810 69	Wind Shield/Label	1	1	
18	DL 1810 09	Screw SS	4	4	
19	JK 4010 01	Head lamp assly w/o bulb	1	1	

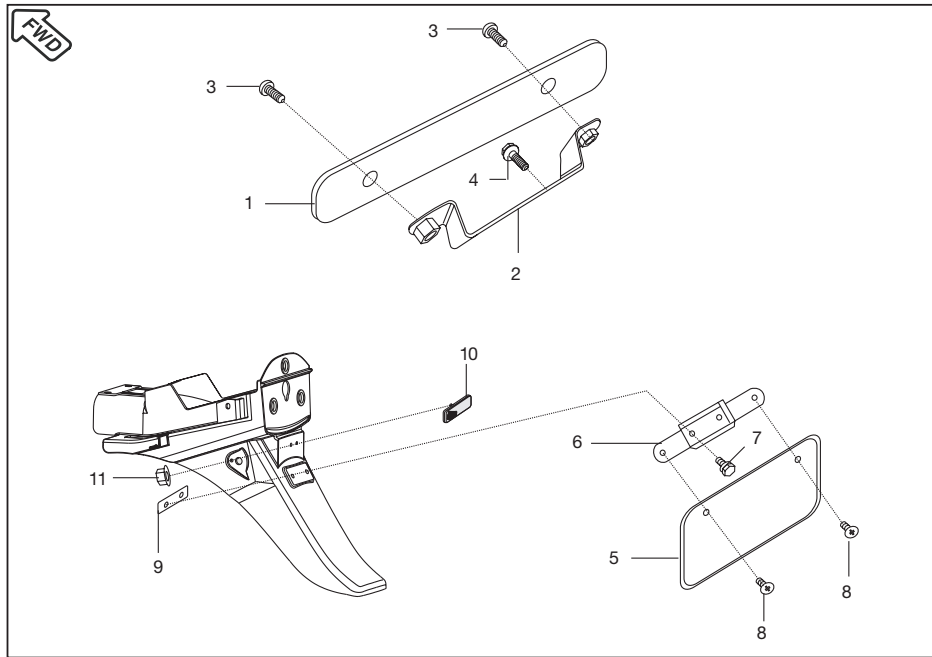


No.	Part No.	Description	43A ES	43B KS	Remarks
1	DJ 2011 48	Dir. ind. Front LH with Lamp	1	1	
2	DJ 2011 49	Dir. ind. Front RH with Lamp	1	1	
3	DJ 2011 46	Dir. ind. Rear LH with Lamp	1	1	
4	DJ 2011 47	Dir. ind. Rear RH with Lamp	1	1	
5	GH 2020 12	Lamp 12 V 10 W	4	4	
6	DZ 2010 09	Lens LH	2	2	
	DZ 2010 10	Lens RH	2	2	
7	DZ 1810 02	Bracket Signal	1	1	
8	39 1970 15	Hex. Nut	2	2	



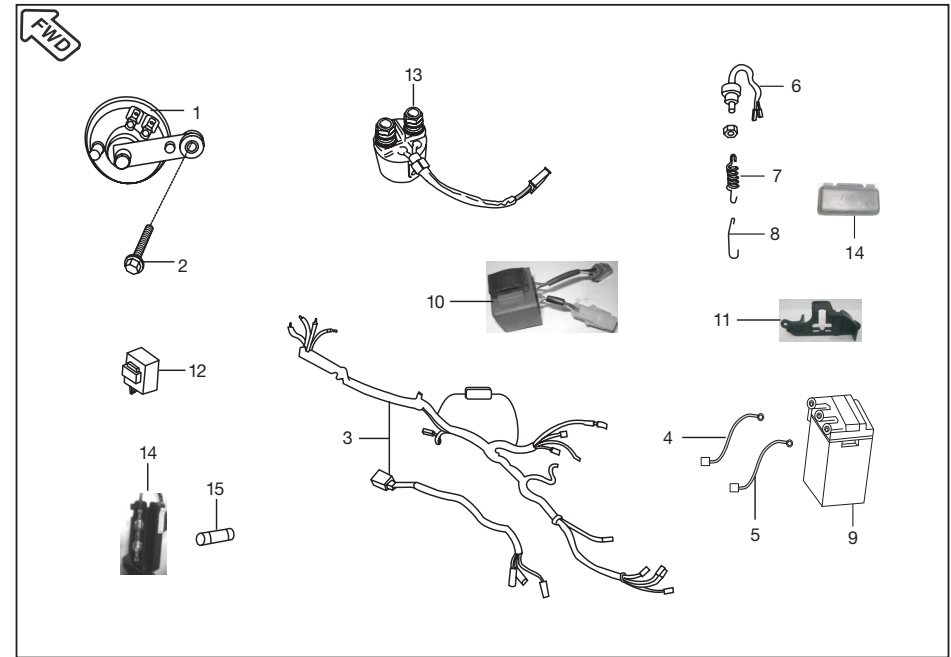
No.	Part No.	Description	44A ES	44B KS	Remarks
1	39 0817 15	Hex Nut / Flange	3	3	
2	DP 2010 30	Tail Light Assly. with lamp	1	1	
3	DP 2010 19	Lens Tail Light	1	1	
4	DP 1610 75	Screw For Lens	2	2	
5	DZ 2010 15	Collar	3	3	
6	31 2010 28	Lamp 12 V, 10/5W	1	1	
7	DD 2010 11	Damper	3	3	
8	DP 2010 44	Plain Washer	3	3	

Plate No. 45 : FRONT AND REAR NUMBER PLATE



No.	Part No.	Description	45A ES	45B KS	Remarks
1	DP 1611 44	Front Number plate	1	1	
2	DP 1810 21	Bracket Front No. Plate	1	1	
3	39 1783 01	Truss Screw	2	2	
4	39 0858 15	Square weld nut	2	2	
5	DP 1611 45	Number plate Rear	1	1	
6	DP 1611 01	Bracket No. Plate	1	1	
7	39 2483 04	Hex head bolt / Flange	2	2	
8	39 2765 01	Truss Screw	2	2	
9	DP 1611 00	Bracket Fender Rear	1	1	
10	DD 2010 02	Reflector Reflex	1	1	
11	39 1972 15	Flanged Nut	1	1	

Plate No. 46 : ELECTRICAL EQUIPMENT

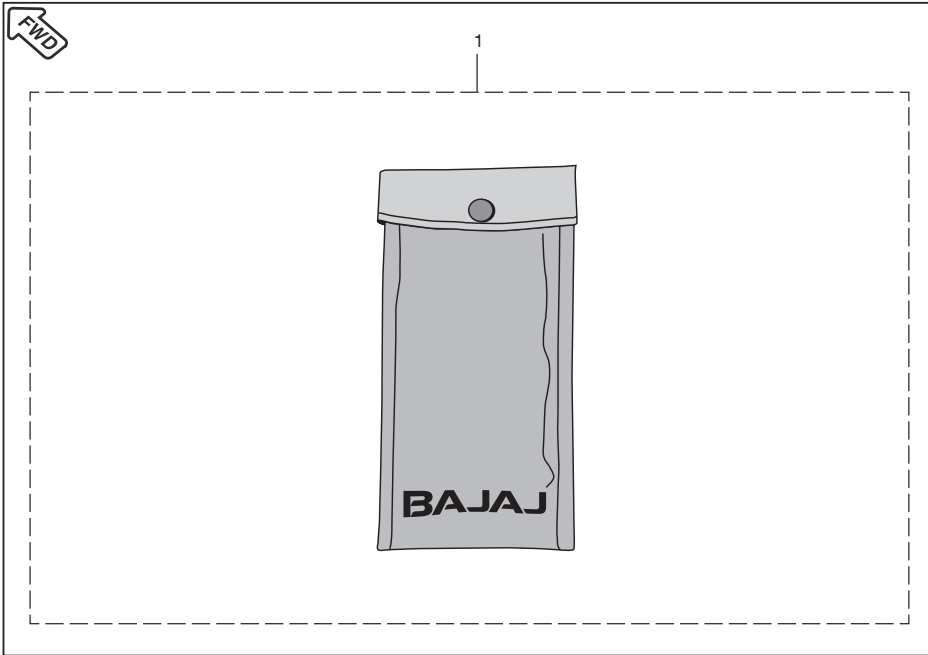


No.	Part No.	Description	46A ES	46B KS	Remarks
1	JB 4016 00	Horn with Stay	1	1	
2	39 1940 04	Flange Bolt - M8	1	1	
3	JK 4022 00	Wiring Harness	1	--	
	JK 4022 02	Wiring Harness	--	1	
4	JK 4022 05	Cable starter relay to st. motor	1	--	
5	JK 4022 01	Earth cable	1	--	
6	31 2010 79	Rear brake switch assly	1	1	
7	JK 1318 02	Spring Brake Switch	1	1	
8	JK 1318 03	Hook brake switch spring	1	1	
9	DS 2010 81	Battery 5Ah	1	--	Not Serviceable
	31 2010 27	Battery 2.5Ah	--	1	Not Serviceable
10	JB 4010 13	Head lamp controller	1	1	
11	JK 1138 00	Band Battery	1	--	
	JK 4018 00	Band Battery	--	1	
12	DS 2010 25	DC flasher solid state	1	1	
13	DK 2010 78	Starter Relay with nut	1	1	
14	GF 2010 36	Fuse box Assly.	2	1	
	30 2011 04	Fuse box Assly.	--	1	
15	GF 2010 53	Fuse	4	4	

Brand ID: 001MC636

Plate No. 47 : TOOL KIT

BAJAJ  
PLATINA 125  
DTS-Si

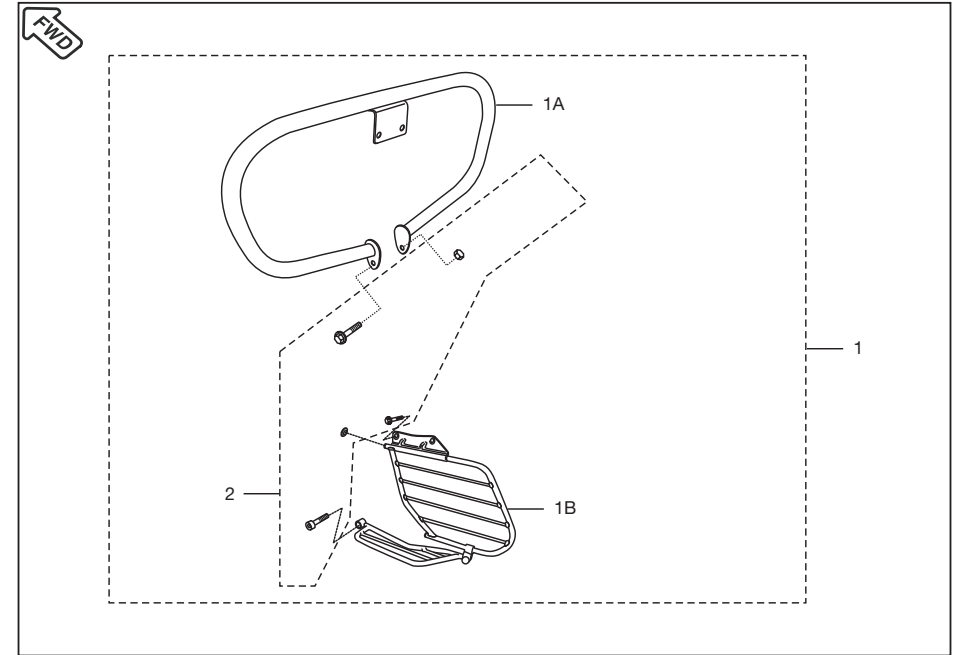


No.	Part No.	Description	47A ES	47B KS	Remarks
1	DZ 2210 05	Tool kit	1	1	

Brand ID: 001MC636

Plate No. 48 : ACCESSORIES LEG GUARD, SAREE GUARD

BAJAJ  
PLATINA 125  
DTS-Si



No.	Part No.	Description	48A ES	48B KS	Remarks
1	36 JK00 01	Saree Guard / Leg Guard kit	1	1	Refer page no. 62
1A	JK 2312 01	Leg guard	1	1	
1B	JK 2312 03	Saree guard	1	1	
2	36 JK00 02	Hardware kit	1	1	Refer page no. 61



Brand ID: 001MC636

**KIT LIST**



Sr. No.	Kit Part No.	Kit Description	Consisting of Following Parts		
			Part No.	Description	Qty./Kit
1	36JA0002	Valve kit	JA511200	Valve intake	1
			JA511201	Valve Exhaust	1
2	36JA0003	Valve Repair Kit	28101129	Seat Spring	2
			39201719	Seal Oil	2
			JA511202	Spring valve	2
			JA511203	Retainer valve spring	2
			DG101029	Collet	4
3	36JB0010	Chain Guide Kit	JA541035	Guide Chain Slack side	1
			JA521002	Guide Chain Tight side	1
4	JA521207	Set Piston Ring	JA521209	Ring Piston (Second)	1
			JP521202	Ring Piston (Oil)	1
			JP521203	Ring Piston (Top)	1
5	36JA0010	Set Drive Driven	JA531010	Gear Primary Drive	1
			JA551401	Clutch Housing Complete	1
6	36DU1007	Boss Kick Kit	30101233	Boss Kick	1
			30101234	Spring	1
			30101236	Ball Steel	1
			30101235	Pin	1
			39085517	E - Type Circlip	1
7	36JK0003	Air Screw Kit	JB581224	Air Screw	1
			24121064	Spring air screw	1
			24121062	"O" ring	1
			16121032	Washer	1
8	JA581243	Idling screw kit	JA581230	Adjuster	1
			CB121044	Sping	1
			24121062	"O" ring	1
			24121063	Washer	1
9	36JK0005	Jet Kit	JB581218	Pilot jet	1
			JB581222	Main jet	1
			JB581217	Needle jet	1
			JB581219	Jet needle	1
			JB581223	Jet holder	1
			JA581228	Spring PV	1

Brand ID: 001MC636

**KIT LIST**



Sr. No.	Kit Part No.	Kit Description	Consisting of Following Parts		
			Part No.	Description	Qty./Kit
10	36JB0008	Seat Damper Kit	DP211009	Seat Damper	9
			DP211014	Seat Damper	1
11	36314001	Bearing Cone kit	DH181023	Bearing Cone	1
			DH181025	Bearing Cone	1
			DH181026	Bearing race	1
			DH181024	Upper Bearing Race	1
12	36JB0003	Chain Sprocket Kit	JK141001	Chain (114 Links)	1
			JA131206	Sprocket (42 T)	1
			JA551010	Sprocket Drive (15 T)	1
13	36DZ0001	Chain Case Kit	DZ161023	Chain Case Upper Assly.	1
			Dz161027	Chain Case Lower Assly.	1
14	JA581245	Piston Valve Kit	JA581224	Ring	1
			JA581228	Spring	1
			JA581229	Piston Valve Assembly	1
15	36JK0002	Kit Hardware (Leg, Saree guard)	39220504	Flanged bolt	2
			39273104	Bolt hexagonal socket	2
			JK231204	Hex socket head bolt	1
16	36DZ0008	Gear Meter Screw Kit	DL151014	Speedo gear (22T)	1
			30151041	Gear meter screw	1
17	36DU1901	Cable Adjuster Kit	30191017	Nut	2
			DD191147	Adjusting Screw	2
18	36JB0004	Decal Set - Jet Black	JK233018	Tank Decal - LH	1
			JK233019	Tank Decal - RH	1
			JK233020	Cover Seat Decal - LH	1
			JK233021	Cover Seat Decal - RH	1
			JK213022	Cowling Decal -LH	1
JK233023	Cowling Decal - RH	1			
19	36JB0005	Decal Set - CW Red	JK233006	Tank Decal - LH	1
			JK233007	Tank Decal - RH	1
			JK233008	Cover Seat Decal - LH	1
			JK233009	Cover Seat Decal - RH	1
			JK233010	Cowling Decal -LH	1
			JK233011	Cowling Decal - RH	1





Part No.	Figure No.	Page No.	Part No.	Figure No.	Page No.
39 0761 01	3	47	39 1864 20	5	6
39 0789 12	15	43	39 1880 20	14	4
39 0789 12	11	40	39 1910 03	8	51
39 0794 15	8	38	39 1940 04	2	57
39 0797 08	3	33	39 1943 04	9	50
39 0797 08	6	40	39 1943 04	12	52
39 0798 15	8	50	39 1964 04	14	11
39 0807 08	9	40	39 1970 15	8	54
39 0807 08	26	39	39 1970 15	9	28
39 0808 08	1	40	39 1972 15	11	56
39 0813 02	16	53	39 1981 04	20	8
39 0817 15	1	55	39 2017 19	7	3
39 0817 15	8	10	39 2044 01	16	20
39 0858 15	4	56	39 2122 15	15	31
39 0858 15	11	52	39 2141 24	7	52
39 0978 04	7	38	39 2190 19	7	12
39 0987 17	4	7	39 2205 04	7	29
39 0992 06	2	9	39 2208 04	9	16
39 0993 11	5	18	39 2208 04	15	14
39 0999 06	12	12	39 2222 04	4	34
39 1000 06	2	5	39 2240 20	4	38
39 1000 06	6	11	39 2249 15	22	42
39 1000 06	11	12	39 2312 04	7	28
39 1013 21	10	36	39 2408 17	12	18
39 1041 19	3	14	39 2437 04	6	25
39 1074 04	3	41	39 2483 04	7	56
39 1184 15	9	41	39 2492 11	7	21
39 1283 21	7	2	39 2492 11	9	21
39 1309 11	14	31	39 2562 20	2	12
39 1553 04	8	48	39 2585 01	15	52
39 1553 04	14	17	39 2600 11	3	17
39 1671 21	20	15	39 2683 20	13	4
39 1674 04	3	24	39 2688 20	1	36
39 1715 19	4	12	39 2704 11	7	10
39 1759 04	17	13	39 2723 15	4	28
39 1773 04	10	20	39 2754 04	10	21
39 1783 01	3	56	39 2758 21	9	47
39 1813 04	16	44	39 2765 01	8	56

Part No.	Figure No.	Page No.	Part No.	Figure No.	Page No.
52 JA00 23	1	23	DF 1614 13	2	32
59 0400 17	8	28	DF 1614 16	2	49
59 0400 18	12	24	DF 1810 52	3	29
59 0400 28	3	49	DF 1810 85	12	43
59 0400 38	2	1	DF 1810 90	2	29
59 0400 38	2	16	DF 1810 91	18	42
59 0400 38	11	11	DF 1810 92	19	42
59 0400 38	16	13	DG 1010 29	4	3
59 0400 38	17	15	DG 1013 39	11	10
59 1100 08	2	6	DG 1014 18	7	14
59 1500 14	1	6	DG 1110 08	8	24
59 2000 36	3	11	DG 1410 19	1	48
59 2000 36	3	12	DG 1611 18	3	48
59 2100 23	14	12	DG 1612 14	5	33
59 2100 24	17	8	DH 1011 25	4	18
CB 1011 14	2	21	DH 1011 63	8	25
CB 1210 61	3	19	DH 1012 64	6	12
CL 2010 23	2	52	DH 1015 09	10	10
CL 2010 42	2	50	DH 1016 07	5	21
CS 1011 28	9	4	DH 1017 81	3	25
DD 1010 97	13	18	DH 1610 66	7	33
DD 1110 11	10	24	DH 1611 94	3	32
DD 1110 12	11	24	DH 2010 63	13	24
DD 1110 48	9	24	DJ 1011 09	7	25
DD 1211 81	19	15	DJ 1811 15	5	29
DD 1410 24	1	47	DJ 1910 54	6	41
DD 1412 27	7	47	DJ 1910 55	7	41
DD 1610 78	16	40	DJ 2010 72	3	52
DD 1810 11	17	44	DJ 2011 46	3	54
DD 1812 05	13	43	DJ 2011 47	4	54
DD 1812 07	14	43	DJ 2011 48	1	54
DD 1911 42	12	41	DJ 2011 49	2	54
DD 1911 47	23	42	DJ 2210 03	25	42
DD 2010 02	10	56	DJ 2210 04	26	42
DD 2010 11	7	55	DK 1011 35	7	9
DE 1810 31	8	43	DK 2010 78	13	57
DF 1411 28	2	48	DL 1810 09	6	52
DF 1611 02	8	33	DL 1810 09	18	53

Part No.	Figure No.	Page No.	Part No.	Figure No.	Page No.
DL 1810 10	5	52	DS 1510 49	4	35
DL 1810 80	1	43	DS 1510 53	6	35
DL 1910 14	8	41	DS 1510 89	23	37
DL 1910 20	2	50	DS 1510 90	2	38
DM 1510 25	3	35	DS 1510 91	20	37
DM 1510 28	5	35	DS 1510 92	18	37
DM 1810 36	7	43	DS 1510 94	17	37
DP 1011 65	4	5	DS 1510 94	24	39
DP 1012 69	6	14	DS 1510 94	27	39
DP 1013 40	3	9	DS 1510 95	19	37
DP 1210 25	13	20	DS 1611 25	5	34
DP 1210 30	7	20	DS 1910 18	24	42
DP 1510 18	2	18	DS 1910 33	11	41
DP 1610 06	2	34	DS 1910 33	13	41
DP 1610 07	1	34	DS 1910 52	15	41
DP 1610 75	4	55	DS 2010 25	12	57
DP 1610 77	4	48	DS 2010 81	9	57
DP 1610 94	3	34	DU 1010 85	7	11
DP 1611 00	9	56	DU 1012 13	19	8
DP 1611 01	6	56	DU 1410 27	9	48
DP 1611 02	3	22	DU 1410 41	8	47
DP 1611 44	1	56	DU 1510 10	6	38
DP 1611 45	5	56	DU 1810 21	1	41
DP 1611 68	9	48	DU 1810 69	10	43
DP 1710 06	4	30	DU 1910 03	14	41
DP 1810 12	8	52	DU 1910 09	10	41
DP 1810 13	9	52	DU 1910 21	3	50
DP 1810 21	2	56	DU 1910 24	7	50
DP 1810 40	14	52	DU 7307 22	5	46
DP 1810 69	17	53	DX 1510 18	20	39
DP 2010 19	3	55	DX 1510 25	12	38
DP 2010 30	2	55	DZ 1910 25	4	50
DP 2010 44	8	55	DZ 1010 34	12	47
DS 1011 17	8	18	DZ 1410 40	5	47
DS 1011 54	6	6	DZ 1510 09	15	40
DS 1012 15	8	14	DZ 1611 43	5	48
DS 1012 90	6	7	DZ 1710 09	6	30
DS 1211 26	12	20	DZ 1710 14	1	30

Part No.	Figure No.	Page No.	Part No.	Figure No.	Page No.
DZ 1710 16	17	31	JA 3516 26	3	27
DZ 1810 01	4	52	JA 3516 27	1	27
DZ 1810 02	7	54	JA 5110 01	1	2
DZ 1810 03	13	52	JA 5110 06	4	2
DZ 1910 08	6	50	JA 5110 07	5	1
DZ 1910 14	7	51	JA 5110 08	2	2
DZ 1910 19	9	51	JA 5110 08	4	1
DZ 1910 20	10	51	JA 5110 09	1	1
DZ 2010 02	9	47	JA 5110 11	6	1
DZ 2010 09	6	54	JA 5110 11	14	20
DZ 2010 10	6	54	JA 5110 12	3	1
DZ 2010 15	5	55	JA 5110 28	3	2
DZ 2010 19	9	47	JA 5110 29	7	1
DZ 2210 05	1	58	JA 5110 29	15	20
DZ 7304 2V	5	46	JA 5112 04	3	3
DZ 7304 3A	5	46	JA 5112 10	1	3
DZ 7304 3V	5	46	JA 5112 11	2	3
FD 1810 12	9	43	JA 5112 12	1	4
FD 1810 19	20	42	JA 5112 16	2	4
FD 1810 20	21	42	JA 5112 17	3	4
FD 1810 30	2	41	JA 5112 18	4	4
FD 1810 31	17	42	JA 5112 18	7	4
GF 2010 36	14	57	JA 5210 01	1	5
GF 2010 53	15	57	JA 5210 14	5	5
GH 2020 12	5	54	JA 5210 15	6	5
JA 1134 03	5	28	JA 5210 17	8	4
JA 1134 04	6	28	JA 5210 18	10	4
JA 1312 05	17	39	JA 5210 19	5	26
JA 1316 06	9	36	JA 5210 19	11	4
JA 1812 08	8	2	JA 5212 07	3	5
JA 2330 00	2	14	JA 5310 00	4	6
JA 3510 15	1	24	JA 5310 07	17	17
JA 3514 00	7	5	JA 5310 11	5	4
JA 3516 00	2	27	JA 5310 14	10	6
JA 3516 00	4	26	JA 5310 15	9	6
JA 3516 02	1	26	JA 531012	8	6
JA 3516 04	2	26	JA 5410 05	8	12
JA 3516 06	3	26	JA 5410 05	11	16

Part No.	Figure No.	Page No.	Part No.	Figure No.	Page No.
JA 5410 10	5	11	JA 5510 07	13	7
JA 5410 11	4	11	JA 5510 08	15	7
JA 5410 12	13	11	JA 5510 09	16	8
JA 5410 14	12	11	JA 5510 10	18	8
JA 5410 16	2	23	JA 5512 00	2	7
JA 5410 18	4	23	JA 5512 01	5	7
JA 5410 19	13	12	JA 5512 02	7	7
JA 5410 19	22	15	JA 5512 03	10	7
JA 5410 20	18	13	JA 5512 04	11	7
JA 5410 21	15	12	JA 5512 05	12	7
JA 5410 27	19	13	JA 5512 06	14	7
JA 5410 28	15	24	JA 5514 00	1	17
JA 5410 34	10	12	JA 5514 06	2	17
JA 5410 44	6	16	JA 5514 05	13	17
JA 5410 45	2	11	JA 5514 13	4	17
JA 5410 46	1	12	JA 5514 14	5	17
JA 541015	9	11	JA 5514 15	11	17
JA 5412 05	5	16	JA 5514 16	15	17
JA 5412 09	5	14	JA 5514 17	8	17
JA 5412 11	11	14	JA 5514 18	7	17
JA 5412 12	16	15	JA 5514 19	6	17
JA 5412 15	13	14	JA 5514 20	16	17
JA 5412 16	14	14	JA 5514 21	9	17
JA 5412 19	21	15	JA 5514 22	10	17
JA 5412 20	8	16	JA 5514 23	12	17
JA 5412 21	10	16	JA 5610 00	1	9
JA 5412 22	18	15	JA 5610 02	8	9
JA 5412 25	12	14	JA 5610 03	9	9
JA 5412 33	3	16	JA 5610 04	4	9
JA 5412 35	10	11	JA 5610 05	5	9
JA 5412 36	9	14	JA 5610 06	6	9
JA 5412 37	10	14	JA 5612 00	1	10
JA 5412 40	1	14	JA 5612 05	2	10
JA 5412 41	1	16	JA 5612 06	3	10
JA 5510 02	3	7	JA 5612 07	4	10
JA 5510 02	21	8	JA 5612 08	5	10
JA 5510 04	8	7	JA 5612 09	6	10
JA 5510 06	9	7	JA 5810 12	9	20

Part No.	Figure No.	Page No.	Part No.	Figure No.	Page No.
JA 5810 12	11	20	JB 4014 00	5	41
JA 5812 09	1	19	JB 4014 01	4	41
JA 5812 17	17	20	JB 4016 00	1	57
JA 5812 18	9	2	JB 4022 02	8	5
JA 5812 21	14	19	JB 5010 00	1	11
JA 5812 32	2	19	JB 5412 02	7	16
JA 5812 33	10	19	JB 5510 01	1	7
JA 5812 38	7	19	JB 5614 00	9	10
JA 5812 39	8	19	JB 5810 03	2	20
JA 5812 40	9	19	JB 5810 05	6	20
JA 5812 43	12	19	JB 5810 06	1	20
JA 5814 06	6	2	JB 5810 08	4	20
JA 5814 07	10	2	JB 5810 09	5	20
JA 5910 37	8	21	JB 5810 11	8	20
JA 5910 40	3	21	JB 5810 13	3	20
JA 6210 01	7	18	JB 5812 02	6	19
JA 6210 02	9	18	JB 5812 21	4	19
JA 6210 03	10	18	JB 5814 02	5	2
JA 6210 06	11	18	JB 5910 26	4	21
JA 6212 01	1	18	JB 5910 27	1	21
JA 6214 02	5	25	JK 1110 50	1	29
JA 6214 06	10	25	JK 1113 05	1	32
JA 6214 10	4	25	JK 1130 06	5	32
JA 6214 11	9	25	JK 1130 07	6	32
JA 6214 12	2	25	JK 1130 08	7	32
JA 6214 16	1	25	JK 1130 09	4	32
JB 1130 04	6	21	JK 1130 09	8	32
JB 1220 11	11	30	JK 1132 01	1	33
JB 1310 18	3	30	JK 1132 02	2	33
JB 1310 18	6	36	JK 1132 03	6	33
JB 1310 19	7	36	JK 1132 04	4	33
JB 1312 22	2	35	JK 1134 00	3	28
JB 1312 22	13	38	JK 1134 01	1	28
JB 1312 25	1	38	JK 1134 02	2	28
JB 1316 05	25	39	JK 1138 00	11	57
JB 1610 02	12	40	JK 1210 00	19	44
JB 1610 03	13	40	JK 1210 03	2	43
JB 4010 13	10	57	JK 1210 06	3	43

Part No.	Figure No.	Page No.
JK 1220 03	16	31
JK 1220 05	13	30
JK 1220 06	2	30
JK 1220 07	9	30
JK 1220 08	5	30
JK 1220 09	10	30
JK 1310 15	8	36
JK 1310 16	13	36
JK 1310 17	1	35
JK 1310 17	2	36
JK 1310 18	14	36
JK 1310 19	15	36
JK 1312 01	18	39
JK 1312 02	5	38
JK 1312 03	23	39
JK 1312 04	19	39
JK 1316 04	22	37
JK 1316 05	5	36
JK 1316 06	3	36
JK 1318 00	5	40
JK 1318 02	7	57
JK 1318 03	8	57
JK 1610 01	3	40
JK 1612 00	11	51
JK 1612 01	6	51
JK 1612 02	1	51
JK 1812 00	6	46
JK 1910 03	1	22
JK 2312 01	1A	59
JK 2312 03	1B	59
JK 2314 00	6	29
JK 2326 00	7	48
JK 2326 00	14	47
JK 3510 01	2	24
JK 351000	16	24
JK 3512 00	7	24
JK 3512 01	5	24
JK 3512 02	6	24

Part No.	Figure No.	Page No.
JK 4010 00	1	52
JK 4010 01	1	52
JK 4010 01	19	53
JK 4020 00	14	24
JK 4022 00	3	57
JK 4022 01	5	57
JK 4022 05	4	57
JK 4024 01	1	50
JK 4024 02	5	50
JK 4024 03	5	50
JK 4024 04	10	50
JK 4024 05	11	50
JK 7102 22	1	45
JK 7102 2V	1	45
JK 7102 3A	1	45
JK 7102 3V	1	45
JK 7302 1E	7	46
JK 7303 22	4	46
JK 7303 2V	4	46
JK 7303 3A	4	46
JK 7303 3V	4	46
JK 7401 22	3	45
JK 7401 2V	3	45
JK 7401 3A	3	45
JK 7401 3V	3	45
JN 1132 00	11	21
KA DF06 10	10	52