

All information contained in this manual is based on the latest product information at the time of publication. Bajaj Auto Limited accepts no liability for any inaccuracies or omissions in this publication, although every possible care has been taken to make it as complete and accurate as possible. All procedures and specifications subject to change without prior notice. The right is reserved to make such changes at any time without prior notice and without incurring an obligation to make such changes to product manufactured previously. Contact your authorized Bajaj Dealer for the latest information on product improvements incorporated after this manual was issued.

DOC. NO.: 71110254

REV. 02 OCT 12

We have pleasure in presenting the Spare Parts Catalogue for 'PLATINA' Motorcycle. This catalogue has been specially designed to assist you in selecting the correct parts for procurement to maintain 100% availability.

The Bajaj spares are subjected to the stringent quality control standards to ensure longer life of the vehicle. It is therefore necessary that only the Genuine Bajaj Spares are used.

In a continual effort to improve Performance and Efficiency of the vehicles, Specifications, Diagrams, Illustrations and Part Numbers can change without notice. Consequently, the description in this Spare Parts Catalogue cannot therefore be final and binding on us.

The modifications / alterations which are carried out after the issue of this catalogue, will be conveyed to you through our Service Circulars. You are requested to make necessary corrections in the Parts Catalogue as per the circulars so as to keep your catalogue up-to-date. This will ensure the appropriate and speedy delivery of the Spare Parts as the order placed will bear the latest part numbers.

In case, if you need any technical assistance contact the concerned Regional Office or write to us on the following address :

Bajaj Auto Limited

Service Department

Akurdi, Pune 411 035 India

Phone : 020-27406557

Fax : 020-27407385

E-mail : service@bajajauto.co.in

1. How to Read the Catalogue : Open the catalogue and from the pictorial index locate the group in which the part you want to find is present. Turn over to the concerned page number (as given by pictorial index). Now find out the figure of the part you wish to order. Write down the part number against that particular figure number from the text.

In case, if you have the part number and you need the other details, the part index can be used. The part index (at the end of the catalogue) will give you the figure and page number of the part you wish to order.

2. How to Order Spare Parts : The part number and the description of the part required should be invariably mentioned in the order as per the catalogue text.

The latest part number as conveyed through our service circulars should only appear on the order. In case of ordering painted components, colour shade of the components should be mentioned.

The quantity shown against the part number is the quantity per vehicle for that group so that particular quantity should be multiplied by the number of sets required.

3. Part Number System: We have used 8 digit system for part numbers. The model or hardware item is indicated by first two digits or alphanumeric, the next two or four digits indicate main group and the last four or two digits indicate serial number in main group or serial number or subgroup of fastener respectively. Thus the part numbers will be indicated by 2-2-4 or 2-4-2 digit system. Understanding this system will enable you to identify the spare parts easily.

4. Abbreviations : The following abbreviations are used in this catalogue.

assly.	Assembly	V	Volts
N.I.	Not illustrated	W	Watts
C'case	Crankcase	accl.	Accelerator
Cyl	Cylinder	Comp.	Complete
o/s.	Over size	Fr	Front
Std.	Standard	L	Length
A/t.	Alternate	Rr	Rear
R.H.	Right hand	Hex.	Hexagonal
L.H.	Left hand	AR	As required

No.	Description	Page No.	No.	Description	Page No.
1	Cylinder head	1	33	Front Fork	40-41
2	Valve	2	34	Painted Parts	42-46
3	Camshaft & Tensioner	3	35	Fuel Tank Cap, Tap Assly. & Fuel Gauge	47
4	Cylinder & piston	4	36	Chain case	48
5	Crank shaft	5	37	Fittings-Petrol tank & Side cover	49
6	Transmission	6	38	Meter assly	50
7	Change drum / Shift fork	7	39	Control Cables	51
8	Gear change mechanism	8	40	Head Lamp Assly.	52
9	Crankcase RH / Engine assly.	9	41	Turn Signal Lamp	53
10	Crankcase LH	10	42	Front & Rear Number Plate	54
11	Pipe oil	11	43	Tail Lamp Assly.	55
12	Cover Generator & Cover Chain	12	44	Electrical Equipment	56
13	Clutch Cover	13	45	Tool kit	57
14	Clutch	14	46	Seat Assly.	58
15	Kick starter Mechanism	15	47	Accessories (Leg Guard, Saree Guard & Mirrors)	59
16	Carburettor	16		Kits List	60-61
17	Air Filter Assly. & Battery Box	17		Parts Index	62
18	Silencer Assly.	18			
19	Oil pump	19			
20	Magneto assly	20-21			
21	Frame	22			
22	Swing arm / Rear shock absorber	23-24			
23	Stand, Step & Stay LH / RH	25			
24	Fender (Front & Rear)	26			
25	Wheel Rim/Spokes/Tyre/Tube	27			
26	Tyre / Tube / Rim (for alloy wheel)	28			
27	Front Hub	29-30			
28	Front Hub (for alloy wheel)	31-32			
29	Rear Hub	33-34			
30	Rear Hub (for alloy wheel)	35-36			
31	Brake pedal	37			
32	Handle bar	38-39			

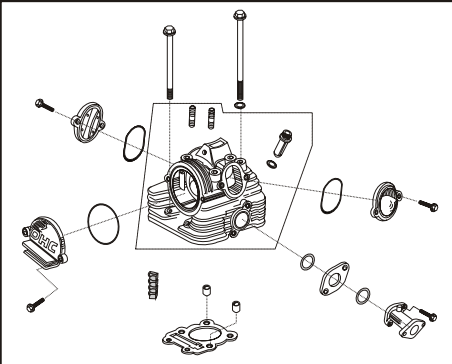
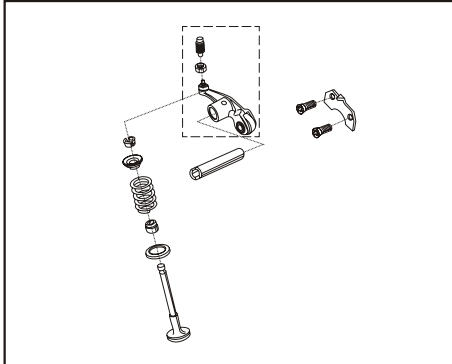
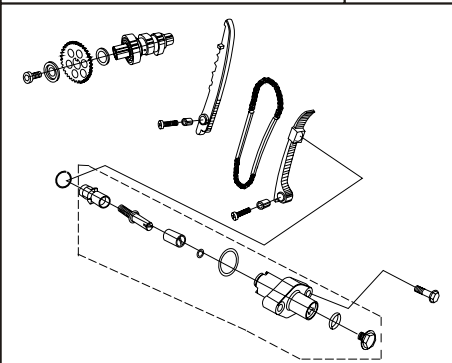
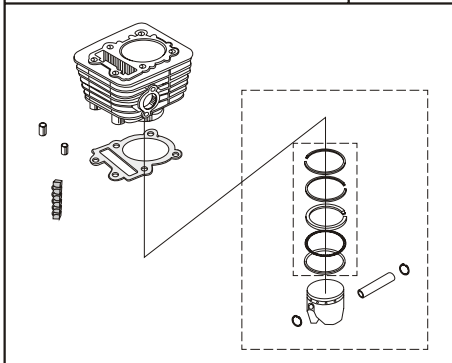
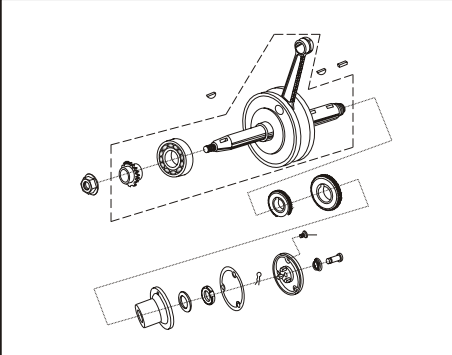
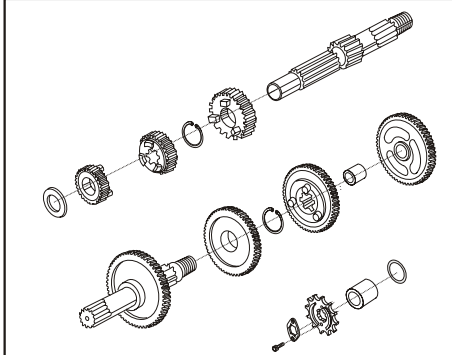
PLATE NO. : 1	PAGE NO.:	PLATE NO. : 2	PAGE NO.:
CYLINDER HEAD	1	VALVE	2
			
PLATE NO. : 3	PAGE NO.:	PLATE NO. : 4	PAGE NO.:
CAMSHAFT / TENSIONER	3	CYLINDER AND PISTON	4
			
PLATE NO. : 5	PAGE NO.:	PLATE NO. : 6	PAGE NO.:
CARNKSHAFT	5	TRANSMISSION	6
			

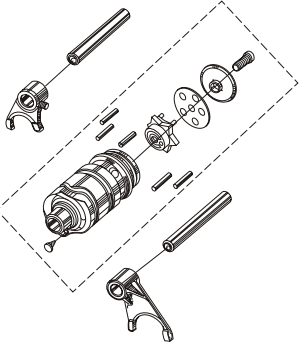
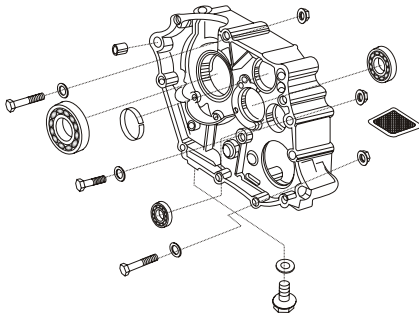
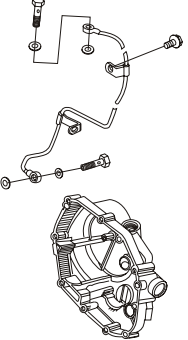
PLATE NO. : 7 CHANGE DRUM / SHIFT FORK	PAGE NO.: 7
	
PLATE NO. : 9 CRANKCASE RH / ENGINE ASSEMBLY	PAGE NO.: 9
	
PLATE NO. : 11 PIPE OIL	PAGE NO.: 11
	

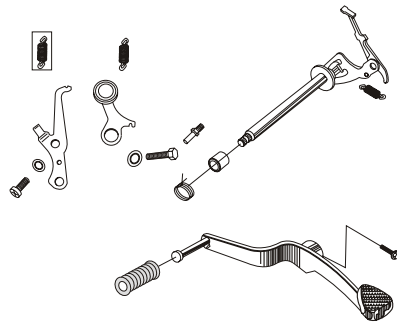
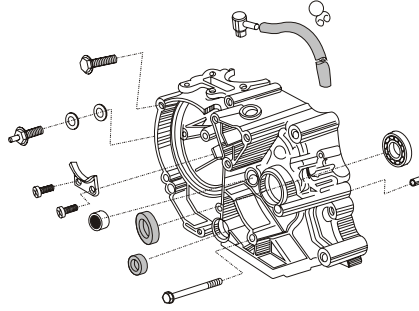
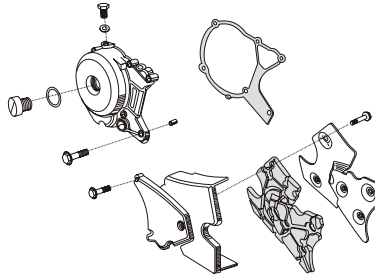
PLATE NO. : 8 GEAR CHANGE MECHANISM	PAGE NO.: 8
	
PLATE NO. : 10 CRANKCASE LH	PAGE NO.: 10
	
PLATE NO. : 12 COVER GENERATOR & COVER CHAIN	PAGE NO.: 12
	

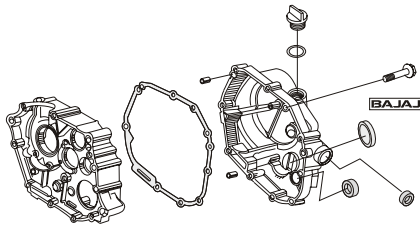
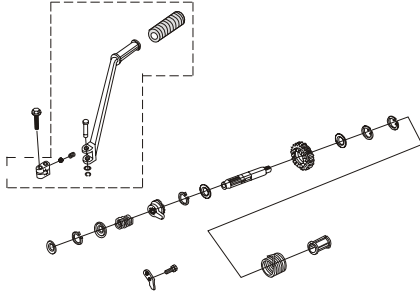
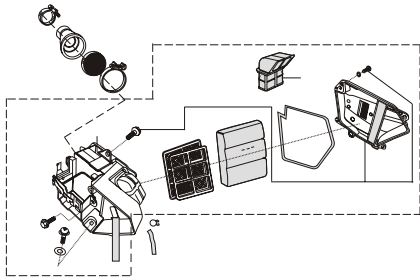
PLATE NO. : 13 CLUTCH COVER	PAGE NO.: 13
	
PLATE NO. : 15 KICK STARTER MECHANISM	PAGE NO.: 15
	
PLATE NO. : 17 AIR FILTER ASSEMBLY & BATTERY BOX	PAGE NO.: 17
	

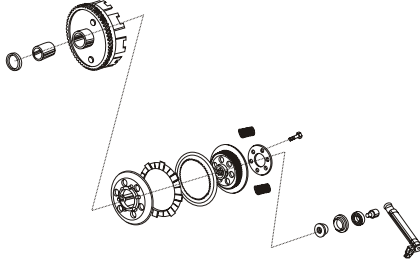
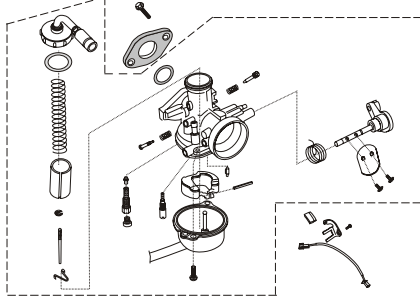
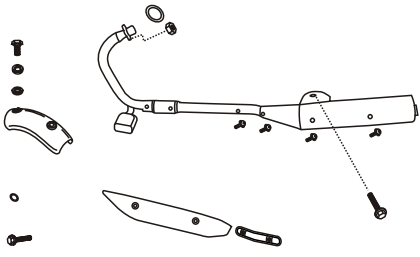
PLATE NO. : 14 CLUTCH	PAGE NO.: 14
	
PLATE NO. : 16 CARBURETTOR	PAGE NO.: 16
	
PLATE NO. : 18 SILENCER	PAGE NO.: 18
	

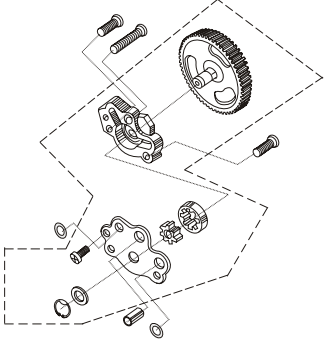
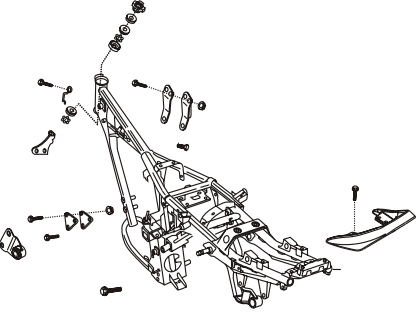
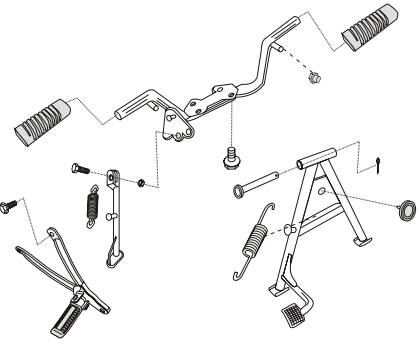
PLATE NO. : 19 OIL PUMP	PAGE NO.: 19
	
PLATE NO. : 21 FRAME	PAGE NO.: 22
	
PLATE NO. : 23 STAND ,STEP AND STAY LH/RH	PAGE NO.: 25
	

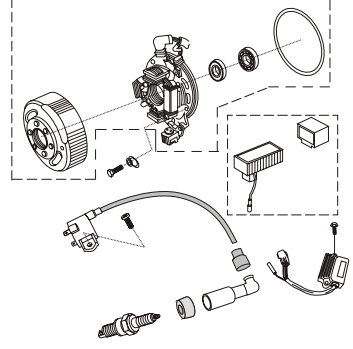
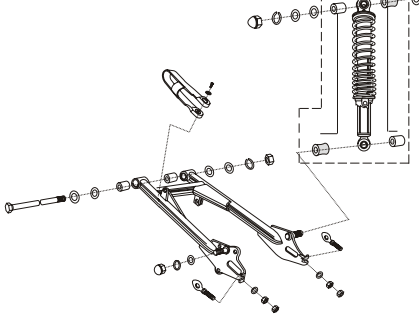
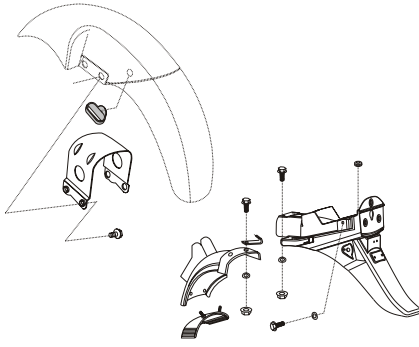
PLATE NO. : 20 MAGNETO ASSEMBLY	PAGE NO.: 20-21
	
PLATE NO. : 22 SWING ARM / REAR SHOCK ABSORBER	PAGE NO.: 23-24
	
PLATE NO. : 24 FENDER - FRONT & REAR	PAGE NO.: 26
	

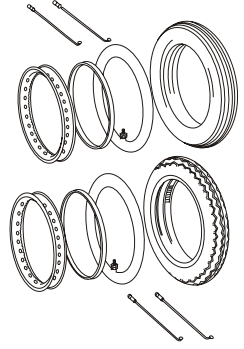
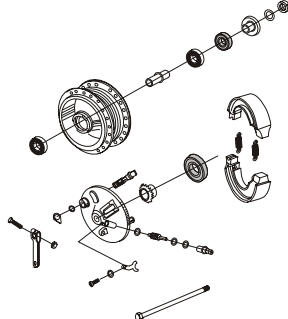
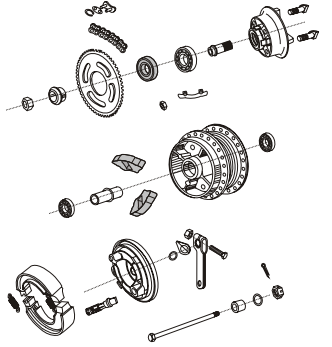
PLATE NO. : 25 WHEEL RIM / SPOKES / TYRE / TUBE	PAGE NO.: 27
	
PLATE NO. : 27 FRONT HUB	PAGE NO.: 29 - 30
	
PLATE NO. : 29 REAR HUB	PAGE NO.: 33 - 34
	


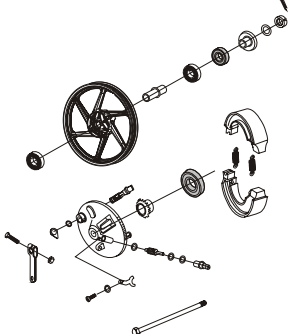
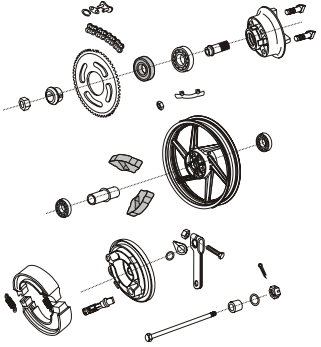
PLATE NO. : 26 TYRE / TUBE / RIM	PAGE NO.: 28
	
PLATE NO. : 28 FRONT HUB (For alloy wheel)	PAGE NO.: 31 - 32
	
PLATE NO. : 30 REAR HUB (For alloy wheel)	PAGE NO.: 35 - 36
	

PLATE NO. : 31 BRAKE PADEL	PAGE NO.: 37
-------------------------------	-----------------

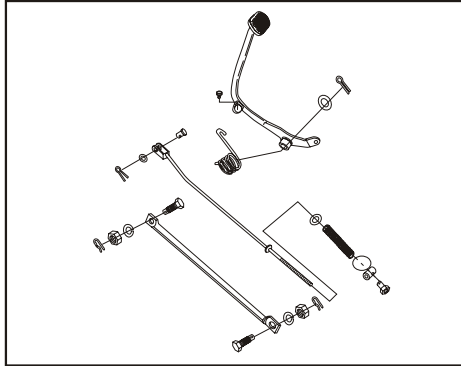


PLATE NO. : 33 FRONT FORK	PAGE NO.: 40 - 41
------------------------------	----------------------

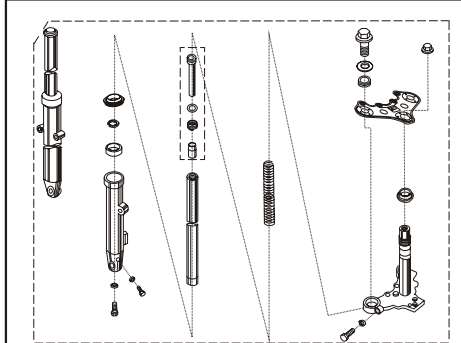


PLATE NO. : 35 FUEL TANK CAP, TAP ASSLY. & FUEL GAUGE	PAGE NO.: 47
-------------------------------------------------------------	-----------------

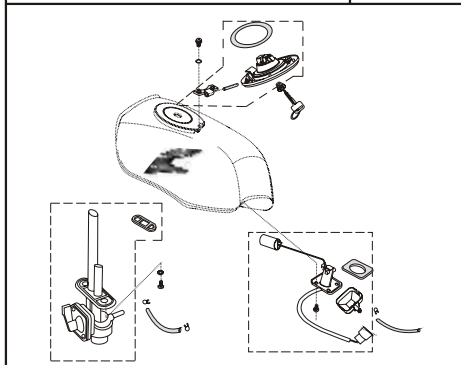


PLATE NO. : 32 HANDLE BAR	PAGE NO.: 38 - 39
------------------------------	----------------------

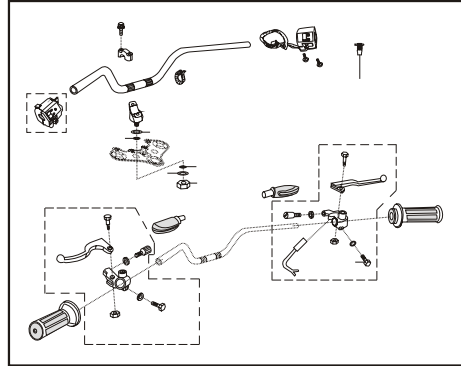


PLATE NO. : 34 PAINTED PARTS	PAGE NO.: 42 - 46
---------------------------------	----------------------

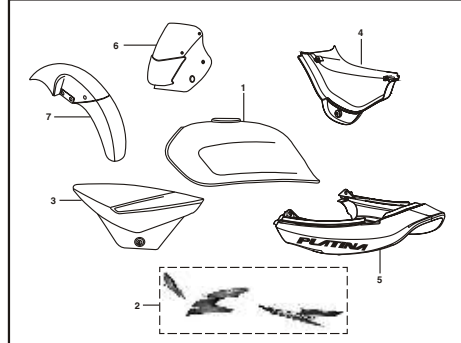


PLATE NO. : 36 CHAIN CASE	PAGE NO.: 48
------------------------------	-----------------

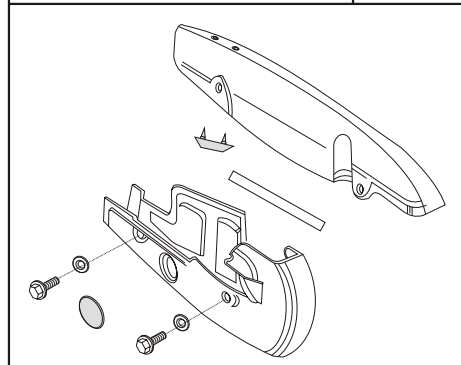


PLATE NO. : 37 FITTINGS-PETROL TANK & SIDE COVER	PAGE NO.: 49
-----------------------------------------------------	-----------------

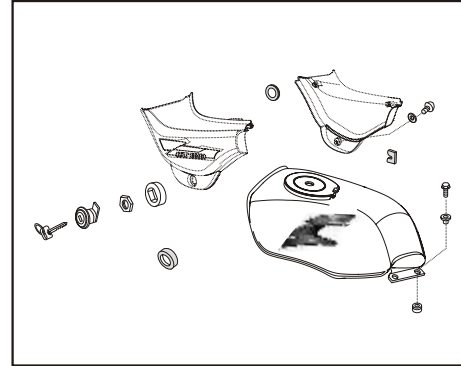


PLATE NO. : 39 CONTROL CABLES	PAGE NO.: 51
----------------------------------	-----------------

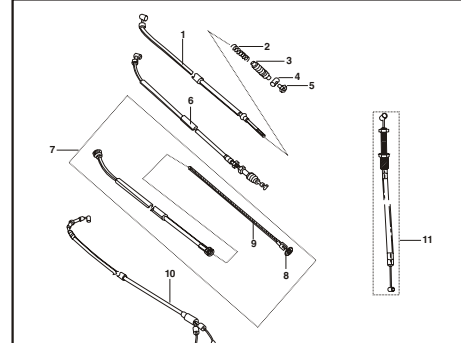


PLATE NO. : 41 TURN SIGNAL LAMP	PAGE NO.: 53
------------------------------------	-----------------

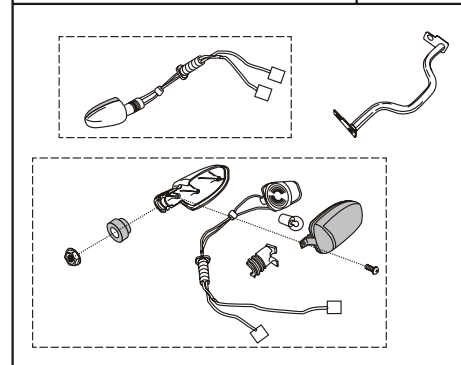


PLATE NO. : 38 METER ASSEMBLY	PAGE NO.: 50
----------------------------------	-----------------

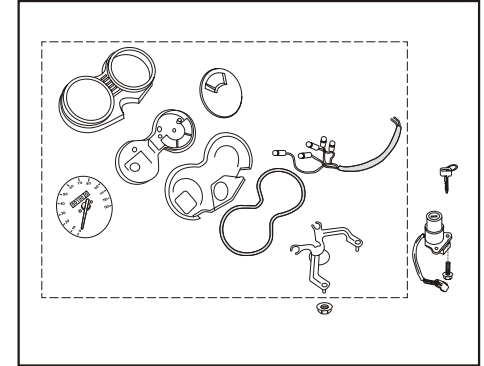


PLATE NO. : 40 H.L. ASSLY./FAIRING	PAGE NO.: 52
---------------------------------------	-----------------

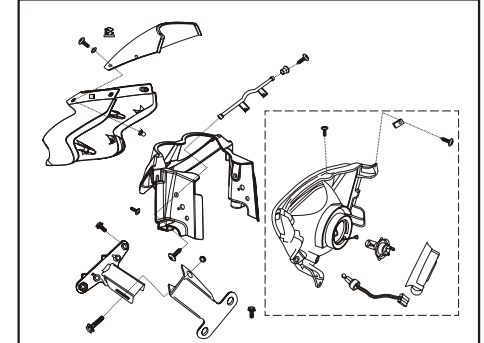


PLATE NO. : 42 FRONT AND REAR NUMBER PLATE	PAGE NO.: 54
-----------------------------------------------	-----------------

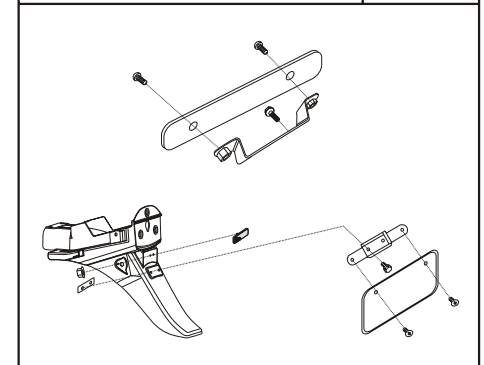


PLATE NO. : 43 TAIL LAMP ASSEMBLY	PAGE NO.: 55
--------------------------------------	-----------------

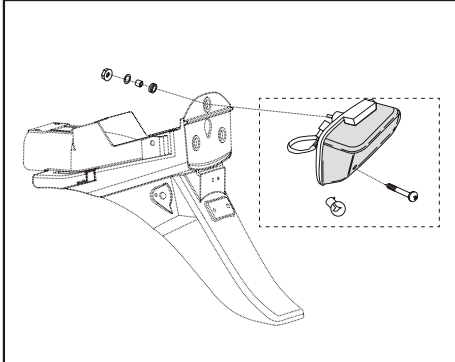


PLATE NO. : 45 TOOL KIT	PAGE NO.: 57
----------------------------	-----------------

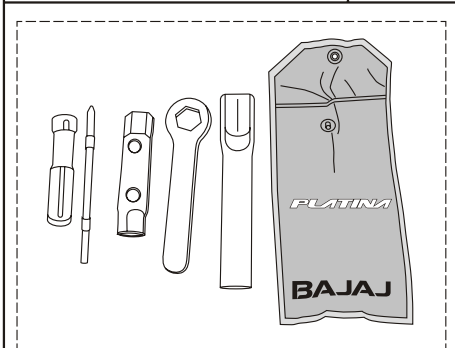


PLATE NO. : 47 ACCESSORIES(LEG GARD,S AREE GUARD & MIRRORS)	PAGE NO.: 59
--------------------------------------------------------------------	-----------------

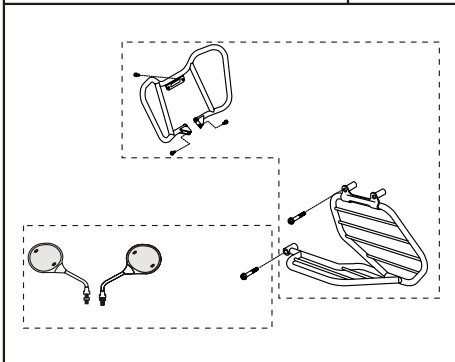


PLATE NO. : 44 ELECTRICAL EQUIPMENT	PAGE NO.: 56
----------------------------------------	-----------------

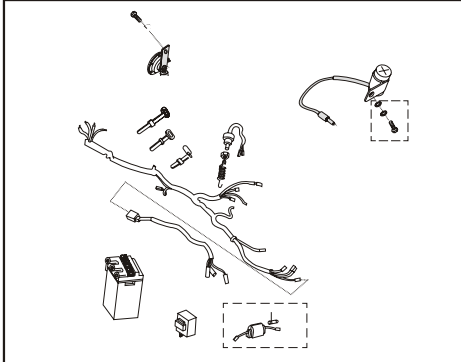
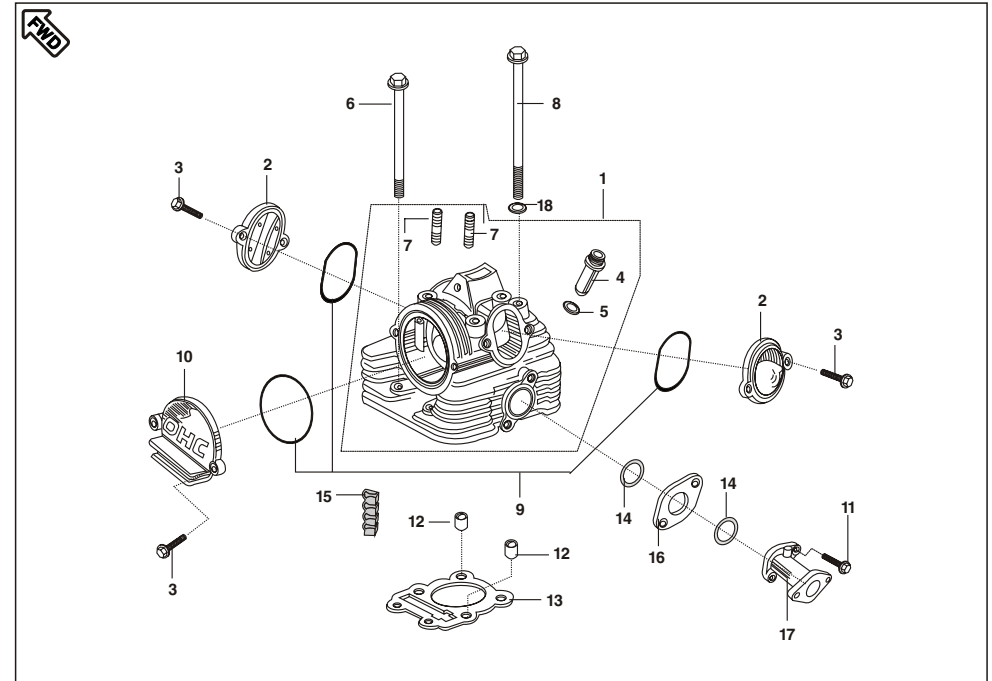
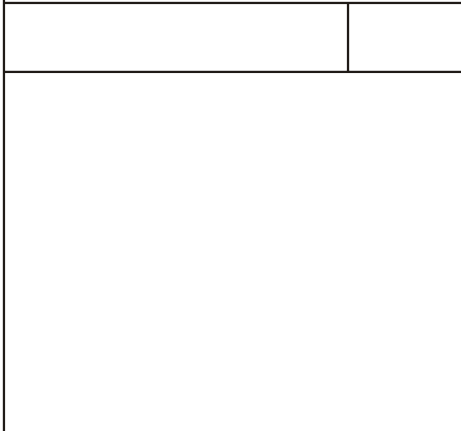
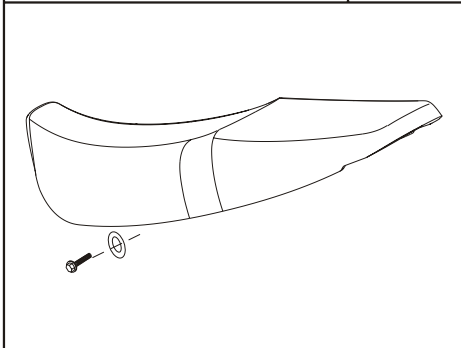
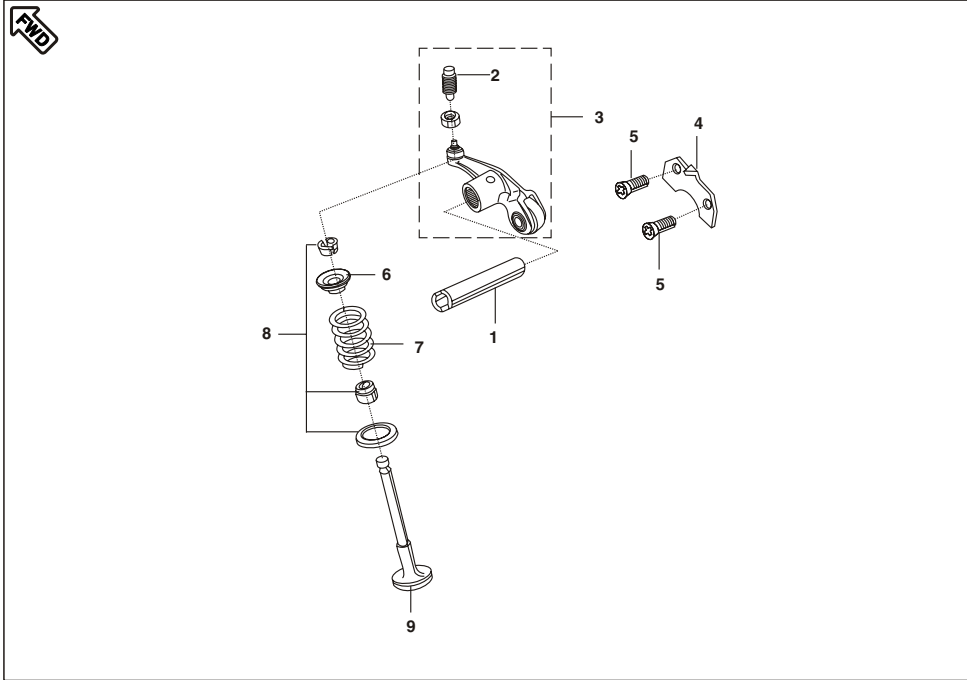


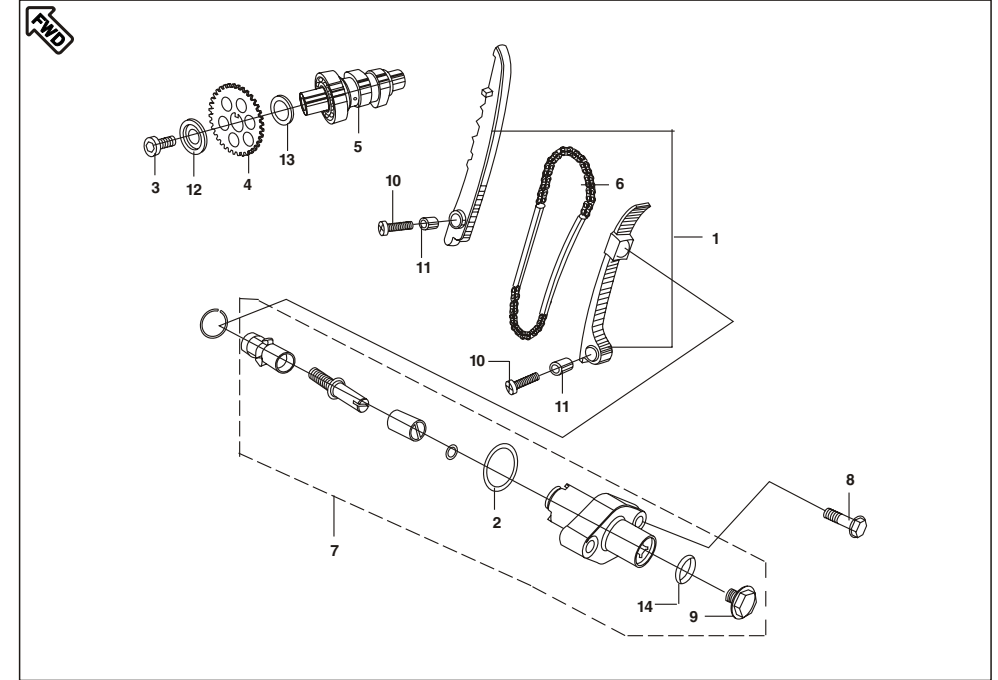
PLATE NO. : 46 SEAT ASSLY.	PAGE NO.: 58
-------------------------------	-----------------



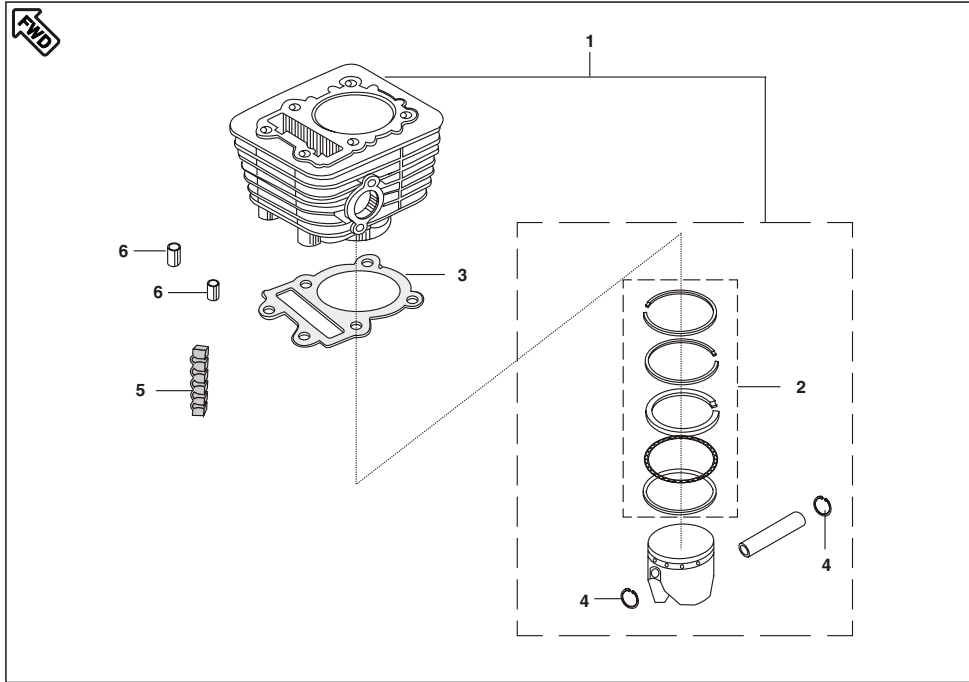
No.	Part No.	Description	Qty/ Veh.	Remarks
1	DU 7002 3N	Head Comp. Cylinder	1	
2	31 1010 06	Cap	2	
	DD 7005 3N	Cap	2	Gray colour part
3	39 1673 04	Flanged bolt	6	
4	31 1010 08	Guide Valve	2	
5	39 1021 21	O Ring	2	
6	DD 1013 47	Bolt	2	
7	DD 1013 50	Stud	2	
8	DD 1013 49	Bolt	4	
9	36 DU10 01	O Ring Kit	1	Ref. Page No. 60
10	31 1010 07	Cover (OHC)	1	
	DD 7004 3N	Cover (OHC)	1	Alt No. 52DU0239
11	DD 1013 51	Bolt	2	
12	39 1000 06	Hollow Dowel Pin	2	
13	DD 1013 43	Gasket head	1	
14	39 1017 21	O Ring	2	
15	DD 1014 81	Damper Cylinder Head	4	
16	31 1011 75	Insulator (Head Side)	1	
17	52 DU02 40	Pipe Intake	1	
18	DD 1015 21	Plain washer	4	



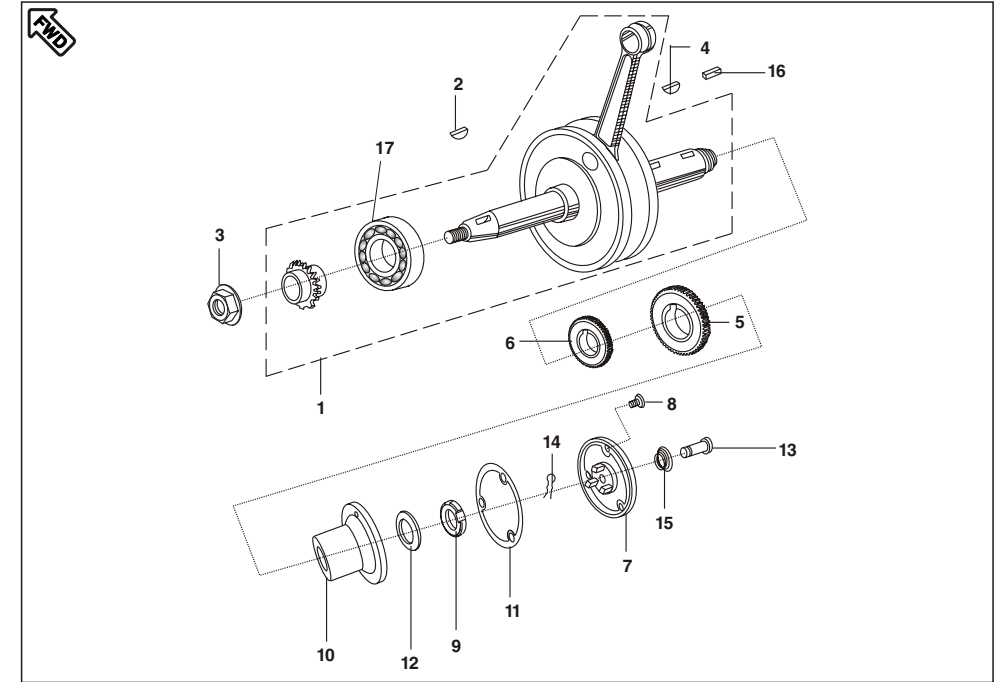
No.	Part No.	Description	Qty/ Veh.	Remarks
1	DU 1011 91	Shaft Rocker	2	
2	DF 1010 55	Screw	2	
3	DU 1011 90	Rocker arm assembly	2	
4	31 1011 04	Stopper	1	
5	39 0702 01	Screw Pan Cros	2	
6	31 1010 18	Retainer Valve Spring	2	
7	DD 1014 40	Spring Stiffer	2	
8	36 3110 08	Collet Seal Oil Kit	1	Ref. Page No. 60
9	36 3110 28	Valve Kit	1	Ref. Page No. 60



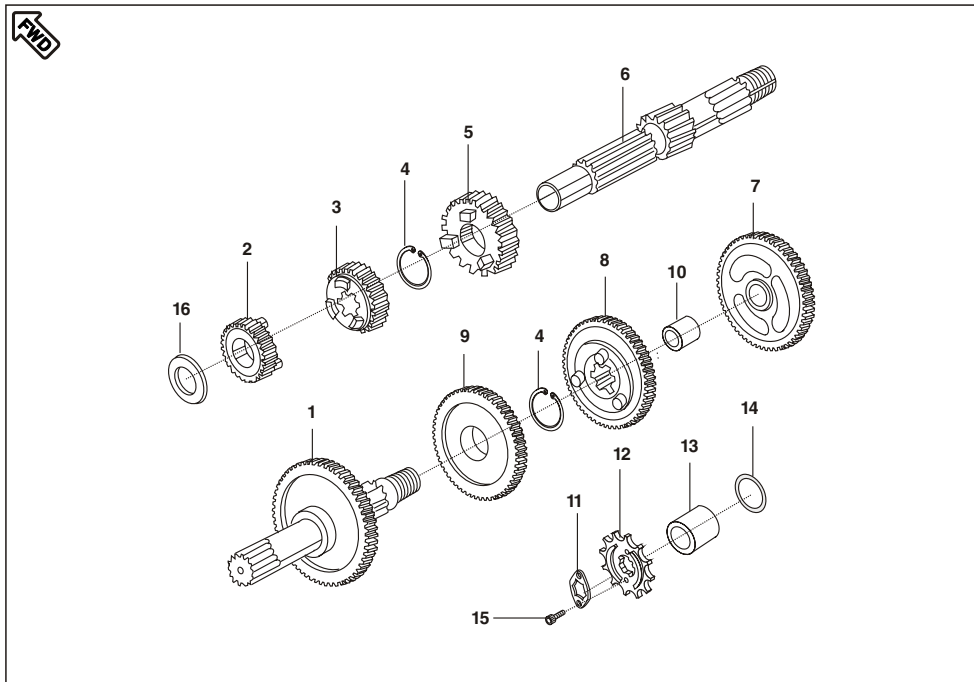
No.	Part No.	Description	Qty/ Veh.	Remarks
1	36 3110 06	Chain Guide Kit	1	Ref. Page No. 60
2	39 2040 21	O Ring	1	
3	DU 1010 96	Hex. Soc.HD Screw	1	
4	DU 1010 56	Sprocket (28 T)	1	
5	DU 1010 78	Camshaft assly.	1	
6	31 1010 33	Chain	1	
7	DD 7002 3N	Tensioner Assly./O ring (Advik)	1	DD70033N-Pricol
8	39 1959 04	Bolt Flanged Small	2	
9	DD 1010 62	Bolt	1	
10	39 0748 01	Screw Pan Cross	2	
11	39 0999 06	Hollow Dowel Pin	2	
12	DU 1010 66	Washer Spl. Cam Shaft	1	
13	DU 1010 67	Collar Cam	1	
14	39 1790 21	O Ring	1	



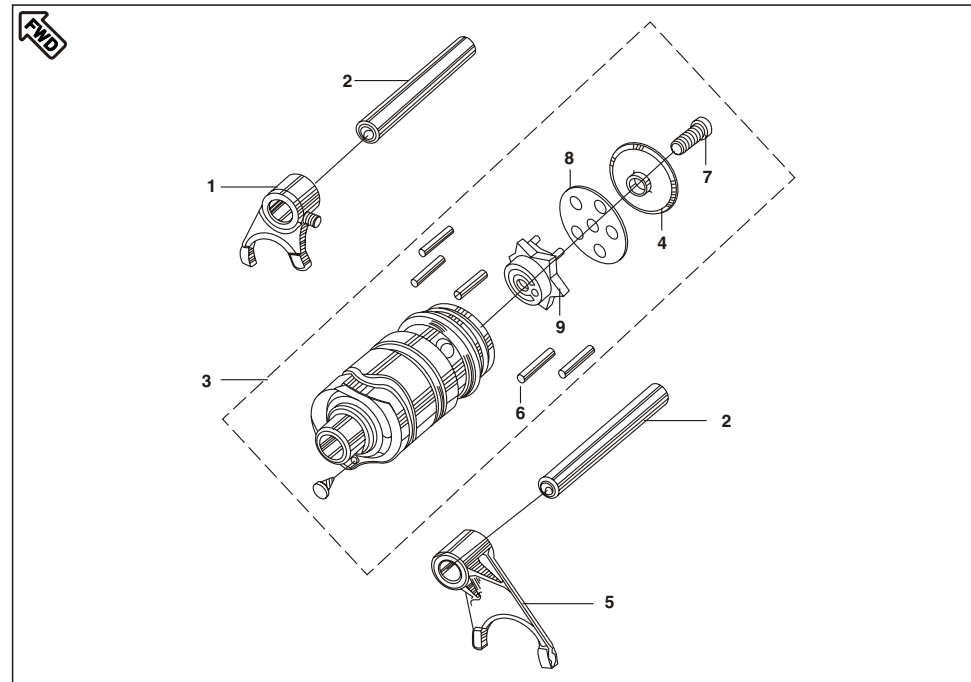
No.	Part No.	Description	Qty/ Veh.	Remarks
1	DU 1012 18	Cylinder Block Piston assly	1	
2	DD 1010 14	Piston ring set std.	1	
3	DD 1010 07	Gasket - Cyl. Block	1	
4	39 0985 17	Wire Clip	2	
5	DH 1014 30	Damper	3	
6	39 1000 06	Hollow dowel Pin	2	



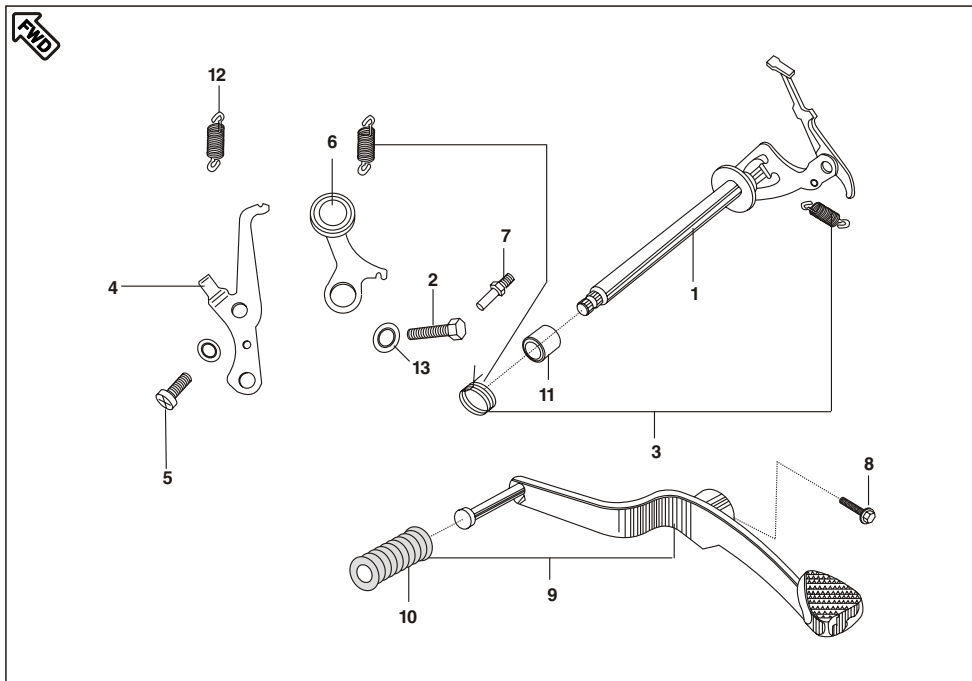
No.	Part No.	Description	Qty/ Veh.	Remarks
1	DU 1010 05	Crankshaft Assly.	1	
2	01 1006 10	Woodruff Key	1	
3	39 1055 15	Nut	1	
4	31 1011 73	Key Woodruff	1	
5	DX 1010 47	Gear Primary, Helical (23 T)	1	
6	FA 1013 34	Gear	1	
7	DU 1010 41	Cover	1	
8	39 1699 01	Countersunk Screw	3	
9	DH 1011 95	Nut	1	
10	DX 1010 53	Body Centrifugal Oil Filter(C.I.)	1	
11	DU 1010 10	Gasket Central Oil Filter	1	
12	39 2200 11	Washer	1	
13	DH 1010 66	Joint Oil Delivery	1	
14	39 2199 08	Pin Snap	1	
15	DH 1010 67	Spring Oil Delivery	1	
16	28 1011 07	Key Woodruff	1	
17	31 1010 35	Bearing	1	



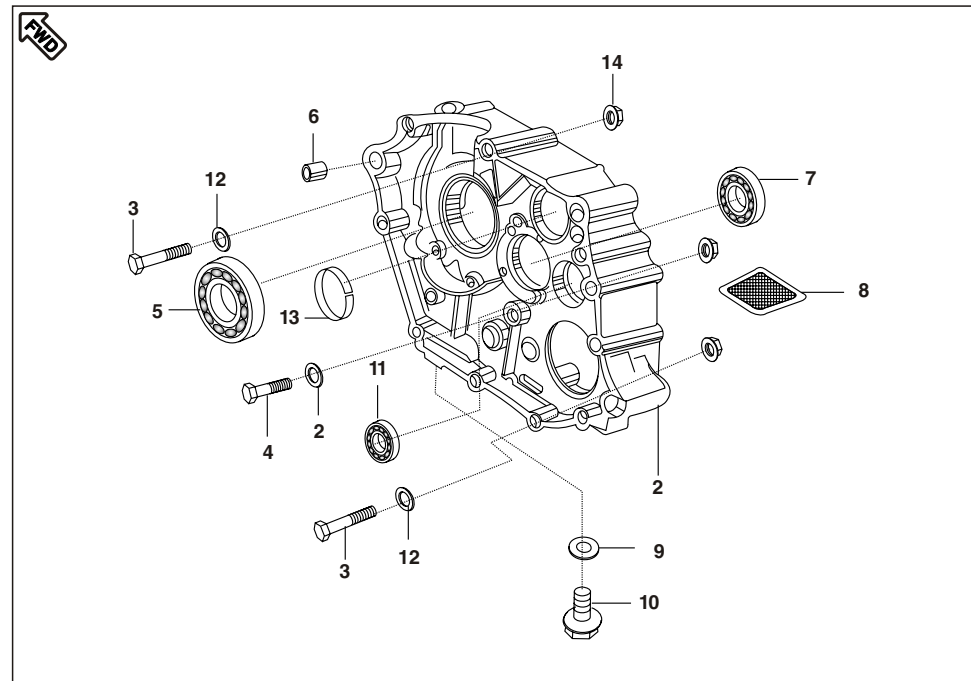
No.	Part No.	Description	Qty/ Veh.	Remarks
1	DX 1010 46	Shaft Transmission Output	1	
2	DX 1010 45	Gear 2nd Input	1	
3	DX 1010 48	Gear Transmission Spur(3rd)	1	
4	39 0987 17	Ring Snap (16 mm)	2	
5	DX 1010 49	Gear 4th Input	1	
6	DU 1010 11	Shaft Transmission Input	1	
7	DU 1010 80	Gear 1st Output	1	
8	DX 1010 51	Gear 4th Output	1	
9	DX 1010 50	Gear Transmission Spur(3rd)	1	
10	DD 1013 09	Bushing Floating	1	
11	DM 1011 15	Plate For Sprocket Output	1	Alt. Du101213
12	36 DZ00 02	Chain Sprocket Kit	1	Ref. Page No. 58
13	DP 1011 55	Collar (Sintered)	1	
14	DP 1011 68	'O' Ring	1	
15	39 1981 04	Bolt	2	
16	DD 1014 75	Washer Special	1	



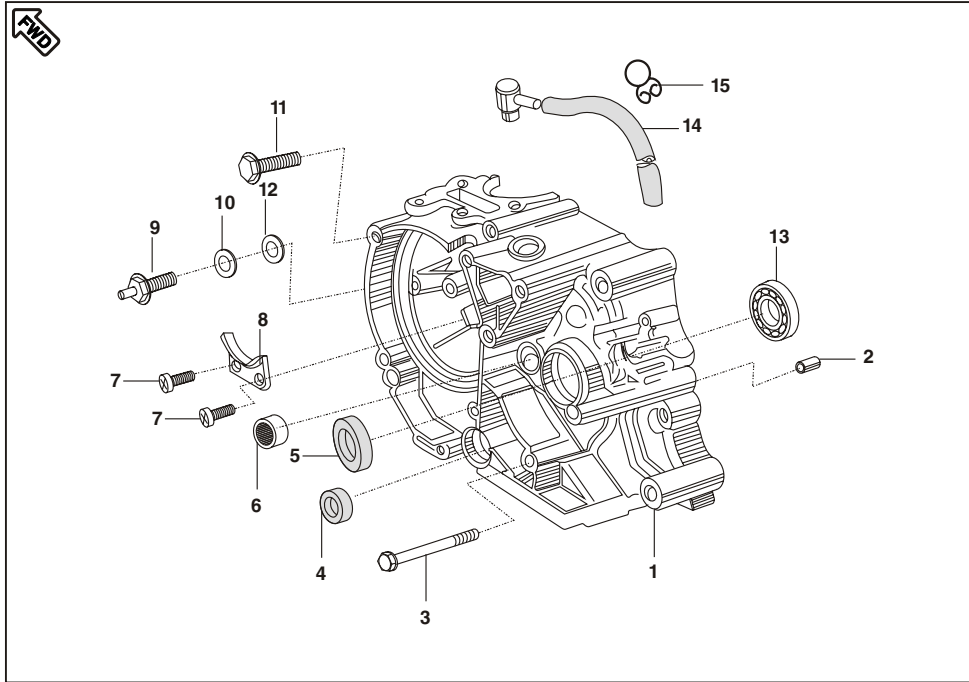
No.	Part No.	Description	Qty/ Veh.	Remarks
1	31 1011 91	Fork Shift	1	
2	31 1010 51	Rod shift	2	
3	DU 1010 81	Drum assly. change	1	
4	DM 1010 98	Cup Stopper	1	
5	31 1011 92	Fork shift	1	
6	39 0992 06	Pin Dowel	5	
7	DP 1013 40	Bolt Soc. Head	1	
8	DM 1010 99	Plate Spacer	1	
9	DU 1010 83	Cam Drum Change	1	



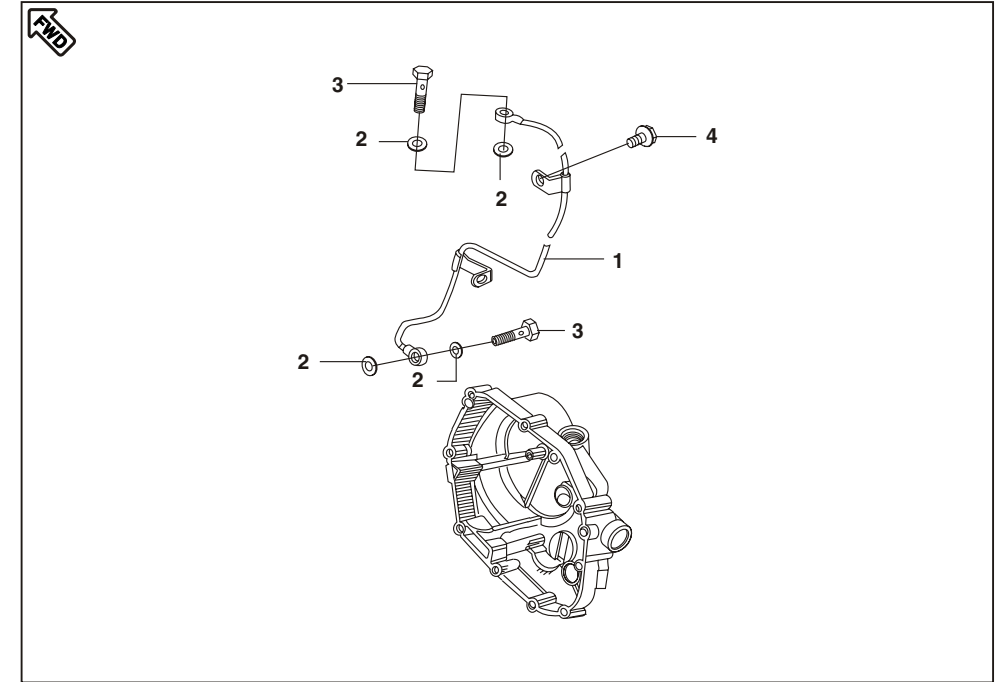
No.	Part No.	Description	Qty/ Veh.	Remarks
1	52 DU01 04	Lever Comp. Change Shaft	1	Ref. Page No. 58
2	39 1994 04	Bolt	1	
3	36 Du10 04	Gear Lever Spring Kit	1	
4	DU 1010 74	Plate Position	1	
5	39 0746 01	Screw Pan Cross	1	
6	DU 1010 73	Stopper Comp. Gear Shifter	1	
7	DD 1011 06	Bolt	1	
8	39 2474 04	Flanged bolt	1	
9	DU 1011 85	Lever Change / Damper	1	
10	31 1011 08	Damper	1	
11	31 1011 09	Collar	1	
12	39 2704 11	Washer Spring Steel	1	
13	DU 1010 92	Spacer	1	



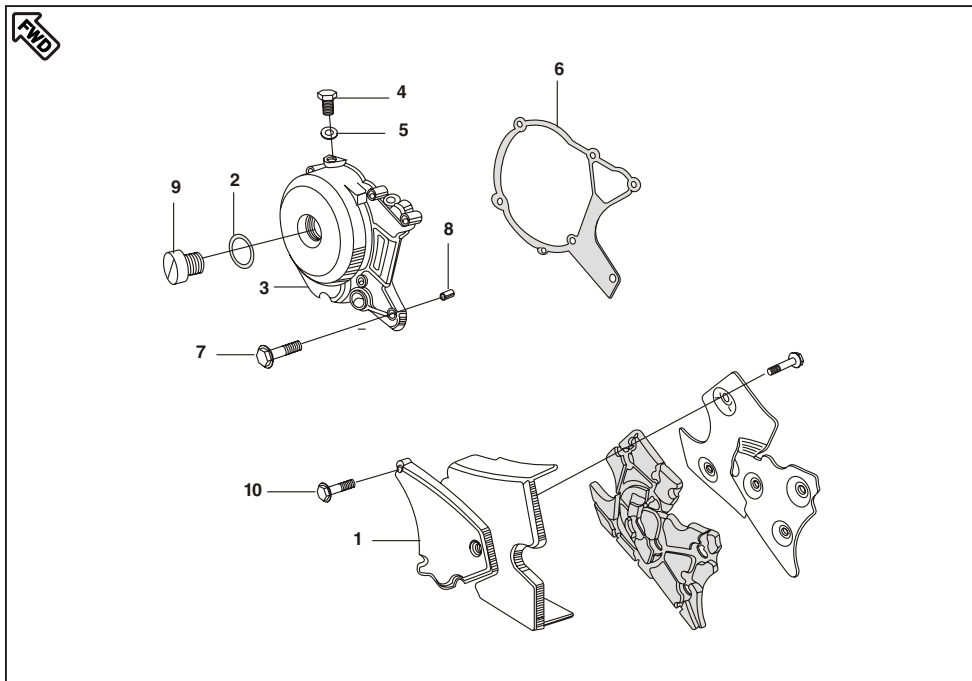
No.	Part No.	Description	Qty/ Veh.	Remarks
1	DU 1012 20	Engine Assembly	1	N.I.
2	DU 1010 75	Crankcase Comp. RH	1	Gray colour part
2	DU 7001 3N	Crankcase Comp. RH	1	
3	39 1068 04	Bolt	2	Alt. DU101223
4	39 1056 04	Bolt	1	
5	39 1864 20	Bearing Ball	1	
6	39 0999 06	Dowel Pin	5	
7	01 1701 11	Bearing	1	
8	DP 1014 52	Oil Strainer	1	
9	DG 1014 98	Gasket	1	
10	DD 1012 75	Plug (Drain)	1	
11	01 1701 10	Bearing	1	
12	39 0248 11	Plain Washer	3	
13	DU 1010 85	Bushing	1	
14	39 1225 15	Nut	3	



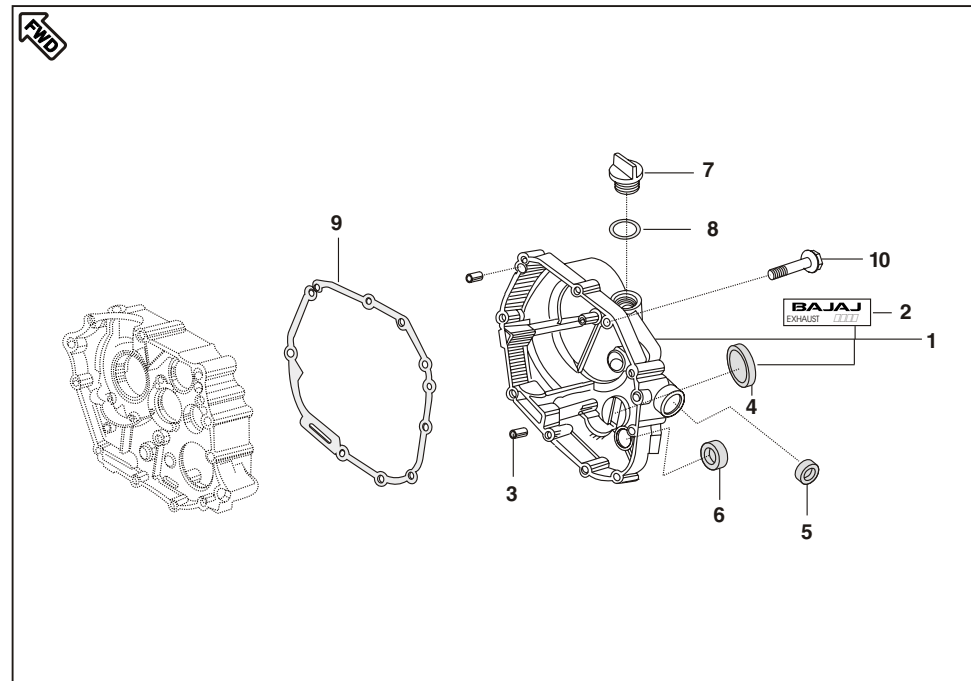
No.	Part No.	Description	Qty/ Veh.	Remarks
1	DD 7001 3N	Crankcase LH	1	(with breather)
1	52 DZ00 19	Crankcase LH	1	New part
2	39 1050 06	Dowel Pin	1	
3	39 1066 04	Bolt Flanged Small	3	
4	39 1043 19	Oil Seal	1	
5	39 1080 19	Seal Oil	1	
6	39 1008 20	Bearing Needle	1	
7	39 0702 01	Screw Pan Cros	2	
8	31 1010 56	Guide	1	
9	31 2010 81	Switch Comp. (Neutral)	1	
10	39 0703 11	Plain Washer	1	
11	39 1075 04	Bolt Flanged Small	7	
12	30 1010 15	Gasket	1	
13	01 1701 11	Ball Bearing	1	
14	DD 1012 19	Tube rubber	1	
15	30 1410 15	Clamp	2	



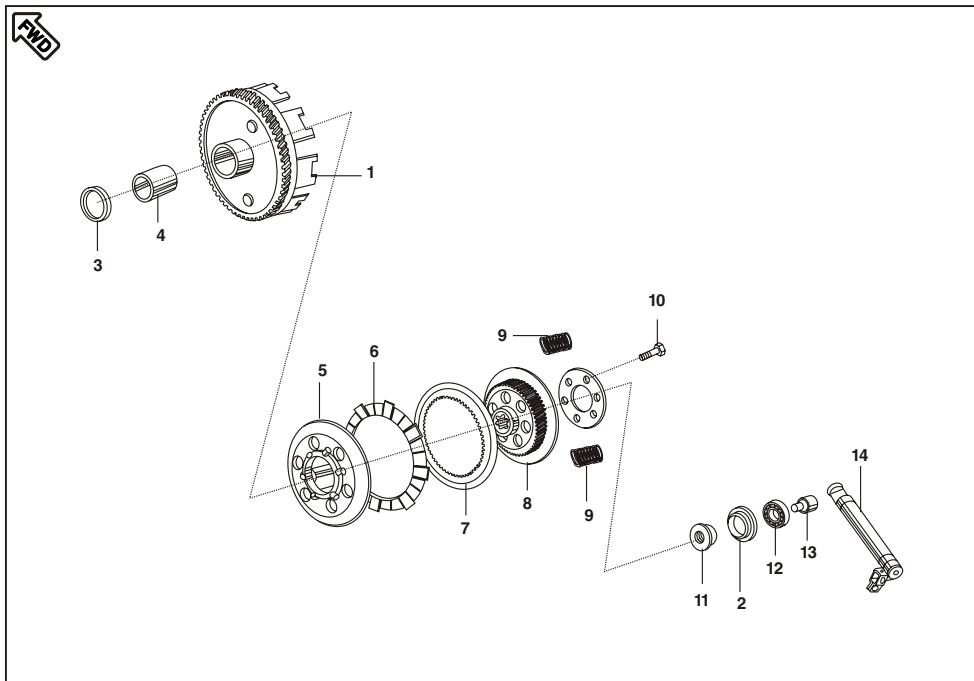
No.	Part No.	Description	Qty/ Veh.	Remarks
1	DU 1210 05	Pipe Oil	1	
2	DD 1015 17	Gasket	4	
3	39 1023 04	Bolt	2	
4	39 1062 04	Bolt flanged small	2	



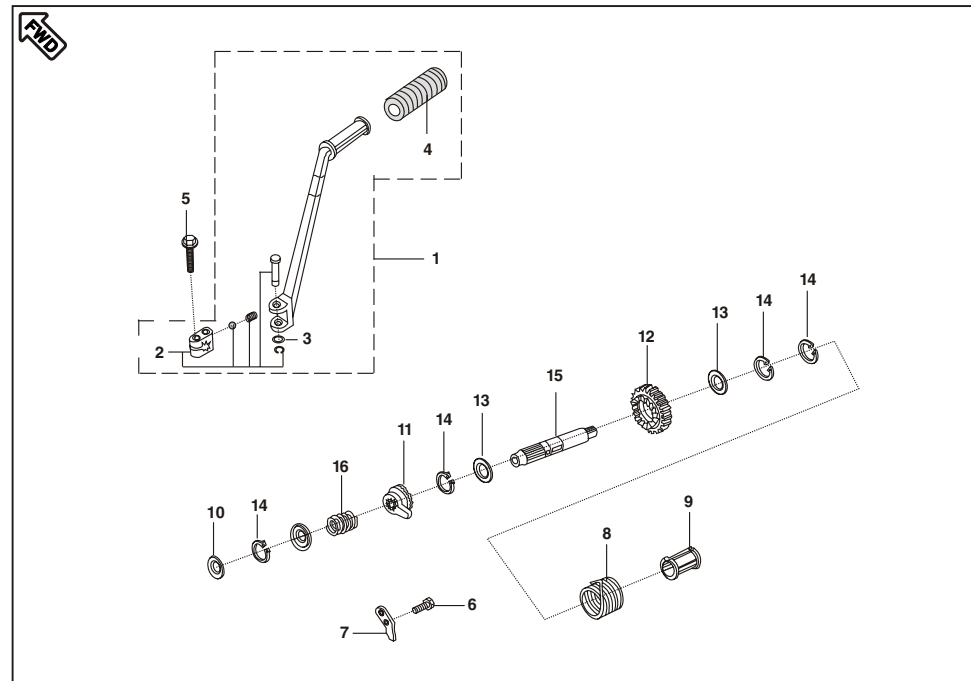
No.	Part No.	Description	Qty/ Veh.	Remarks
1	DZ 1010 01	Cover Chain (Engine)	1	
2	39 1019 21	Ring O	1	
3	31 1012 95	Cover Generator	1	
	52 DU02 49	Cover Generator	1	Gray Color Part
4	31 1010 60	Plug	1	
5	31 1011 13	Gasket	1	
6	DD 1010 58	Gasket - Generator Cover	1	
	DM 1011 39	Gasket - Generator Cover	1	From 1/12/2006
7	39 1074 04	Bolt Flanged Small	5	
8	39 0999 06	Pin	2	
9	31 1010 62	Bolt	1	
10	39 2147 04	Bolt Flanged Small	3	



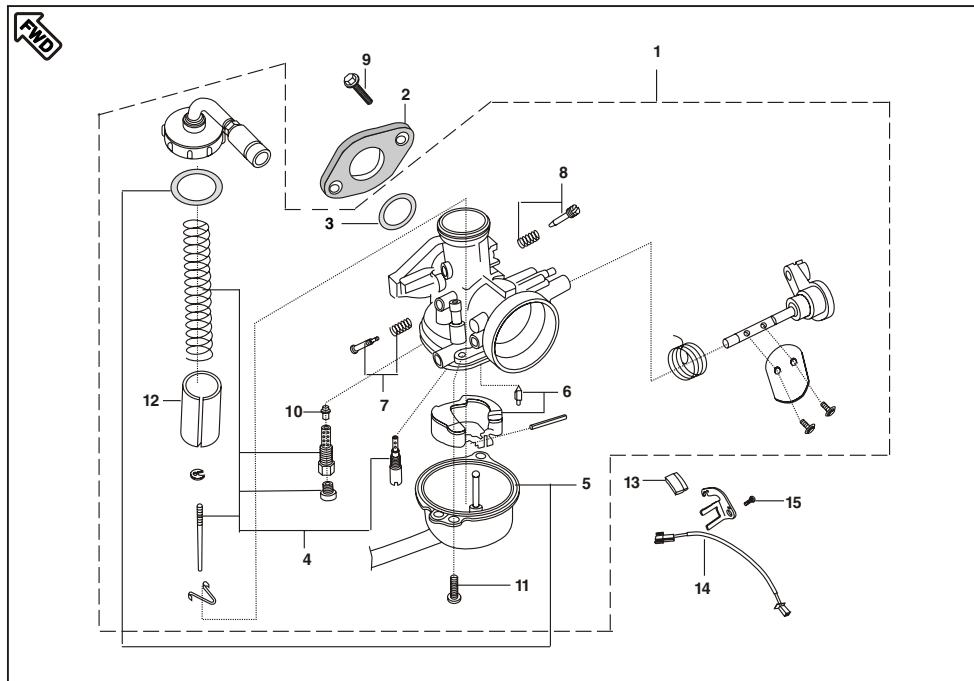
No.	Part No.	Description	Qty/ Veh.	Remarks
1	DU 7003 3N	Clutch cover/ Graphics/Gauge	1	
	DZ 1010 47	Clutch Cover with PTF Bush	1	DZ101089-From Oct 12
2	DZ 1010 46	Label clutch cover "Bajaj"	1	DZ101096-From Oct 12
3	39 0999 06	Dowel Pin	2	
4	31 1010 67	Gauge	1	
5	39 1041 19	Seal oil	1	
6	30 1011 42	Seal oil	1	
7	DD 1013 25	Cap oil filler	1	
8	39 2134 21	O ring	1	
9	DD 1010 60	Gasket (Clutch cover)	1	
	DM 1011 40	Gasket (Clutch cover)	1	From 1/12/2006
10	39 1075 04	Bolt flanged small	10	
11	DX 1010 30	Bracket Clutch Cable	1	N.I.



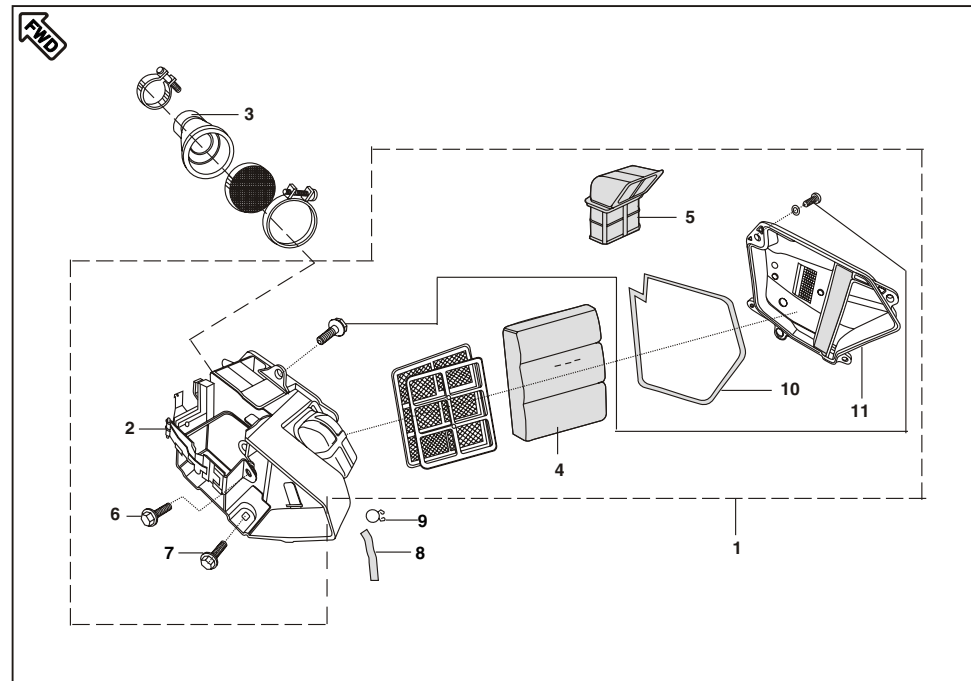
No.	Part No.	Description	Qty/ Veh.	Remarks
1	DX 1010 54	Housing Comp. clutch	1	
2	28 1011 95	Holder	1	
3	39 2600 11	Plain Washer	2	
4	DU 1011 09	Collar	1	
5	DD 1014 92	Wheel Clutch	1	
6	DD 1014 80	Plate Friction	5	
7	30 1010 96	Plate Clutch	4	
8	DD 1014 93	Hub Clutch	1	
9	28 1012 14	Spring	6	
10	39 0980 04	Hex. Bolt	6	
11	39 1053 15	Hex.Nut/Flange	1	
12	39 2403 20	Bearing	1	
13	31 1011 48	Rod Push	1	
14	DX 1010 35	Lever Assly. Complete	1	



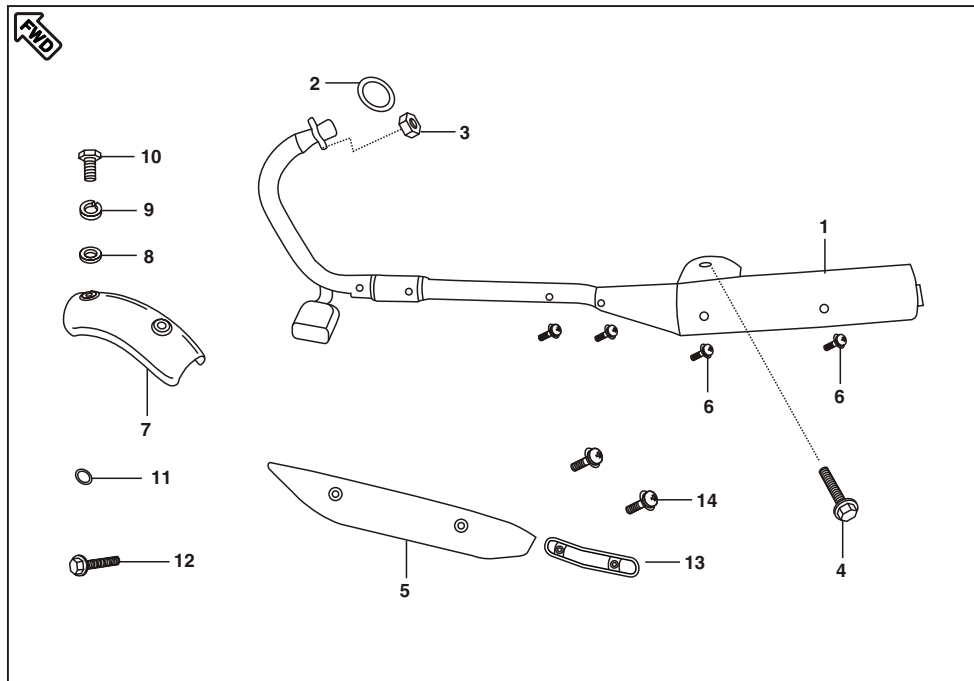
No.	Part No.	Description	Qty/ Veh.	Remarks
1	DU 1010 50	Lever Assly Kick Comp.	1	Complete Assly. not for warranty
2	36 DU10 07	Boss Kick Set	1	Ref. Page No. 60
3	22 1502 41	Plain Washer	1	
4	30 1011 54	Bush (Damper)	1	
5	DP 1510 18	Flanged bolt	1	
6	DD 1012 64	Screw Pan Cross	2	
7	DD 1012 54	Guide Kick	1	
8	31 1010 41	Spring	1	
9	31 1010 40	Guide	1	
10	39 0993 11	Plain Washer	1	
11	31 1010 38	Ratchet	1	
12	DU 1010 38	Gear Spur Kick Start	1	
13	39 0995 11	Plain Washer	2	
14	39 0738 17	External Circlip Type C	4	
15	DU 1010 45	Shaft Kick	1	
16	31 1010 39	Coil Spring	1	



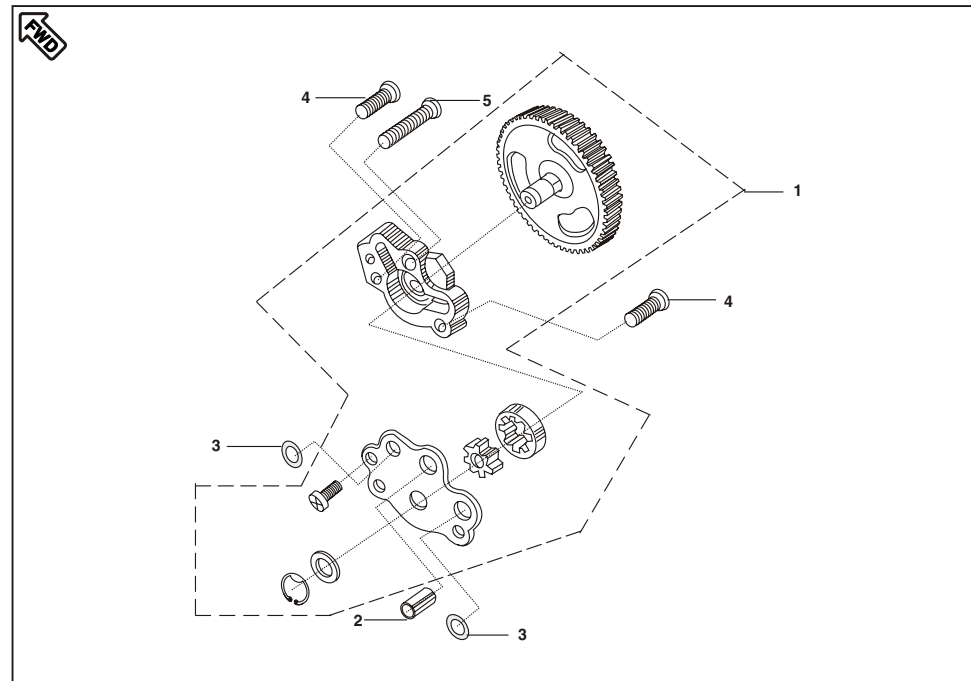
No.	Part No.	Description	Qty/ Veh.	Remarks
1	DZ 1210 06	Carburettor Assly.	1	
2	DU 1010 57	Insulator (Carburettor / Intake)	1	
3	39 1283 21	O ring	1	
4	DZ 1210 18	Carburettor Holder / Jet Kit	1	Ref. Page No. 61
5	36 DU12 04	Gasket O ring Kit for Carb.	1	Ref. Page No. 60
6	36 DU12 05	Carburettor Float pin Kit	1	Ref. Page No. 61
7	36 DU12 02	Idling Screw kit	1	Ref. Page No. 60
8	DZ 1210 15	Air Control Screw Kit	1	Ref. Page No. 60
9	39 1675 04	Flanged bolt	2	For mounting Carburettor
10	DZ 1210 13	Seat for Jet Needle	1	
11	DD 1211 71	Screw with washer	2	
12	DZ 1210 11	Valve throttle	1	
13	DH 1211 01	Magnet Assly.	1	} TPS Assly. Parts TPS Mounting
14	DH 1211 02	Reed Switch Assly.	1	
15	39 1062 04	Bolt Flanged Small	1	



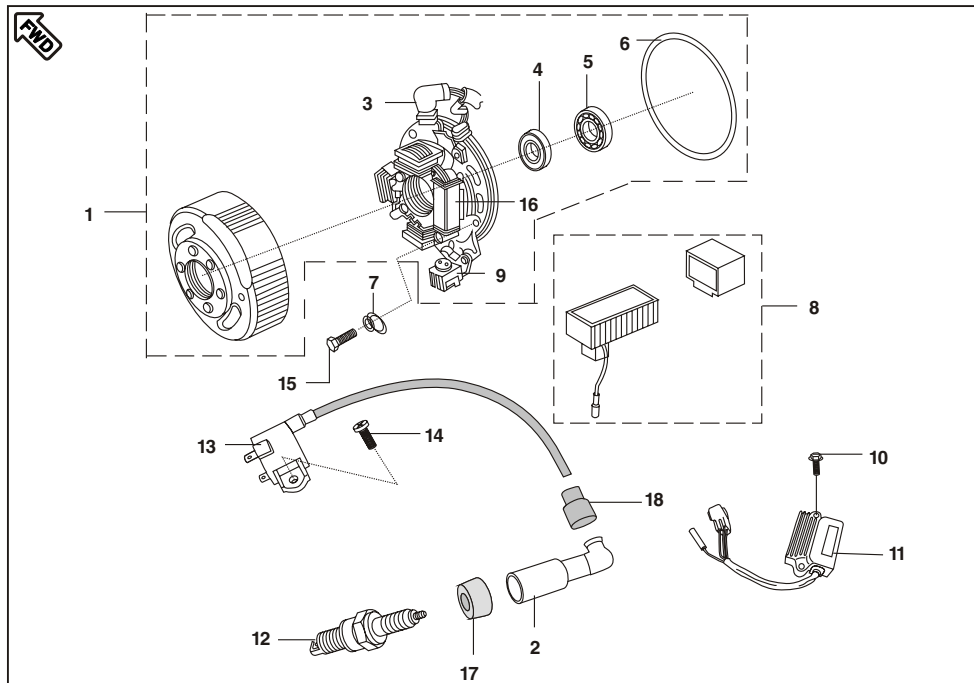
No.	Part No.	Description	Qty/ Veh.	Remarks
1	52 DZ00 07	Filter assly air	1	
2	DG 1611 66	Screw	1	
3	DZ 1210 03	Duct (A/F to Carburettor)	1	
4	DP 1210 34	Element air filter	1	
5	DP 1210 07	Duct (Inlet)	1	
6	39 1680 04	Flanged bolt (Battery)	1	
7	DP 1610 94	Bold stoped	2	
8	DP 1210 22	Tube	1	
9	DG 1210 15	Clamp	1	
10	DM 1210 07	O ring	1	Alt. P. No. DP121011
11	DM 1210 04	Cap	1	



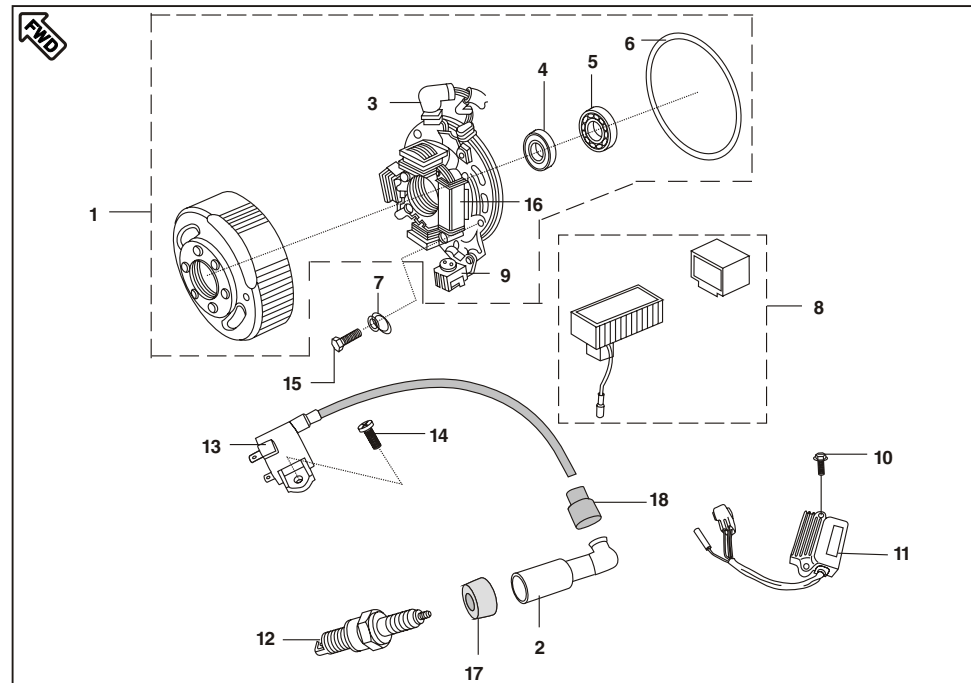
No.	Part No.	Description	Qty/ Veh.	Remarks
1	DZ 1010 51	Silencer Assly. without shield	1	
	DZ 1010 27	Silencer without shield	1	
2	31 1010 14	Gasket	1	
3	DU 1012 06	Flange Bolt	1	
4	DD 1013 66	Flange Bolt	1	
5	DZ 1010 31	Cover muffler rear	1	
6	DH 1016 07	Truss Screw	2	
7	DZ 1010 44	Shield Exhaust Tube	1	
8	39 0197 11	Washer	1	
9	39 0790 12	Spring Washer	2	
10	39 2345 01	Hex Screw	1	
11	CM 1011 29	Washer	1	
12	CM 1011 28	Hex Bolt	1	
13	DZ 1010 45	Wire Guard	1	
14	39 2675 04	Screw	2	



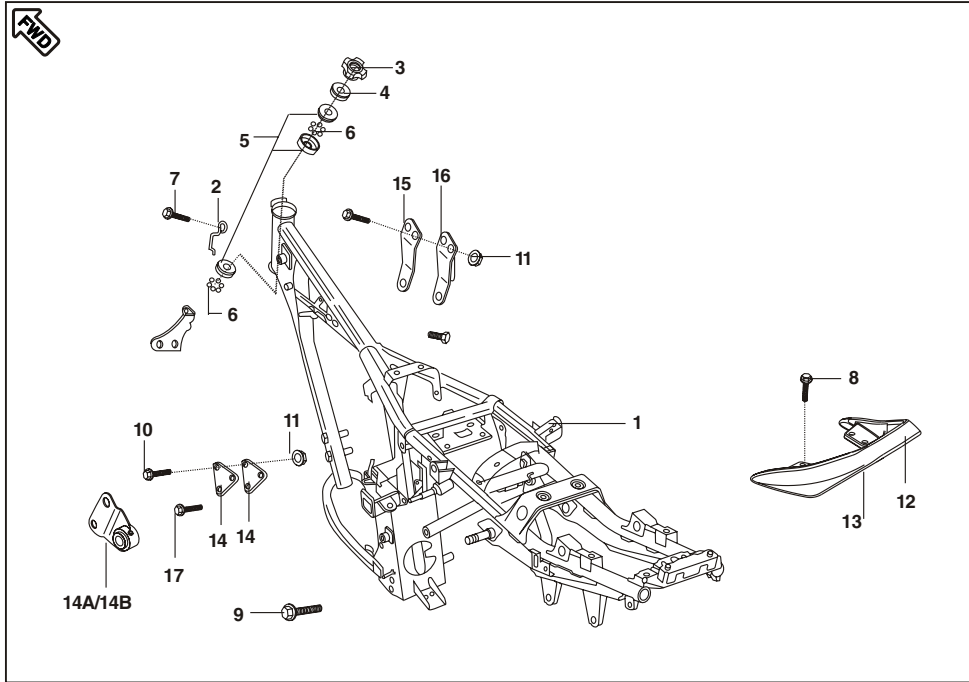
No.	Part No.	Description	Qty/ Veh.	Remarks
1	DF 1210 03	Pump Assly. Oil	1	
2	39 0999 06	Pin dowel	1	
3	39 1013 21	Ring O	2	
4	39 1078 01	Screw Pan Cros	2	
5	39 0753 01	Screw Pan Cros	1	



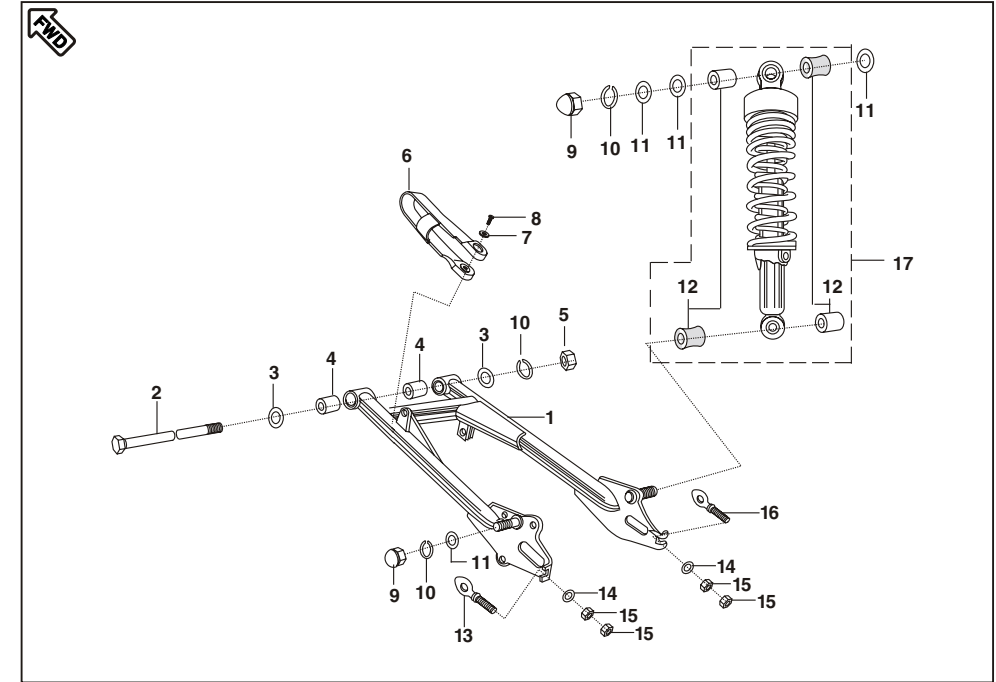
No.	Part No.	Description	Qty/ Veh.	Remarks
1	DF 1110 15	Magneto assly/Brg. & Oil Seal	1	
	DZ 1110 03	Magneto assly/ Brg. & Oil Seal	1	New Part
	DF 1110 17	Magneto assly/ Brg. & Oil Seal	1	
2	DD 1110 48	Cap Spark plug (R)	1	
3	DF 1110 20	Stator Assly	1	
4	39 1042 19	Seal Oil (HTA make)	1	
5	39 1003 20	Bearing ball	1	
6	39 1028 21	Ring O	1	
7	39 1659 11	Plain washer	3	
8	DZ 1110 02	Ignitor Assly (C.D.I.) / Damper	1	
	DX 1110 02	Damper for CDI	1	New Part
9	31 1110 58	Pulsar Coil	1	
10	39 1553 04	Flanged Bolt	2	
11	DU 2010 62	Regulator/Rectifier (R/R) unit	1	
12	DD 1110 18	Plug Spark (P-RZ9HC)	1	Alt.DD 1110 36
13	DF 1110 40	H. T. Coil	1	
14	39 0745 01	Screw pan cross	1	
15	DD 1013 18	Bolt	3	



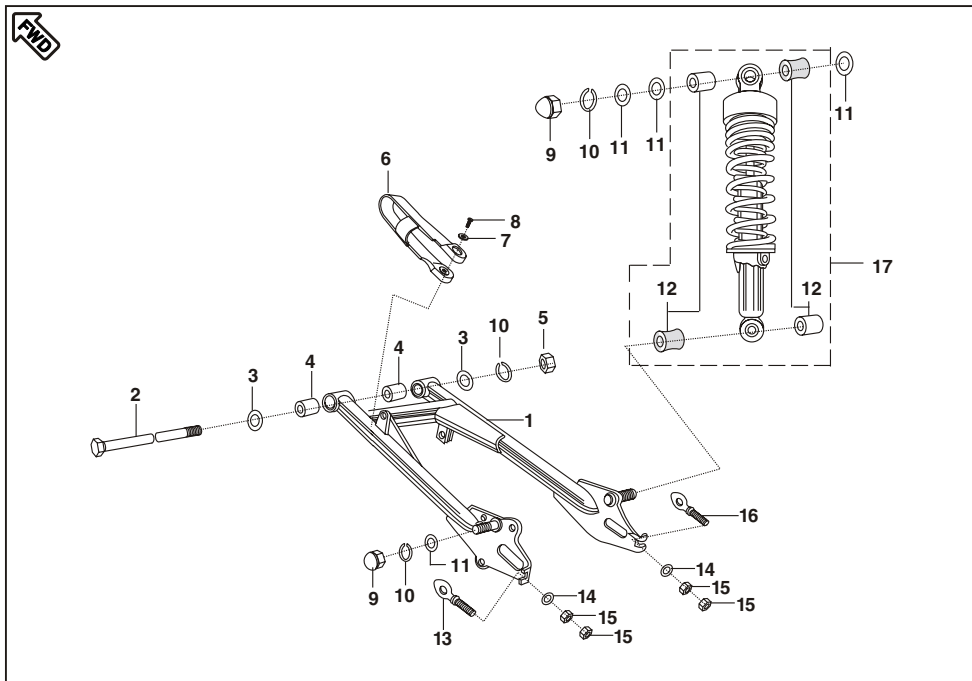
No.	Part No.	Description	Qty/ Veh.	Remarks
16	31 1110 56	Exciter coil	1	
17	DD 1110 11	Grommet Spark plug Cap	1	
18	DD 1110 12	Grommet H.T.Cable	1	
	DD 1110 12	Grommet H.T. Cable	1	



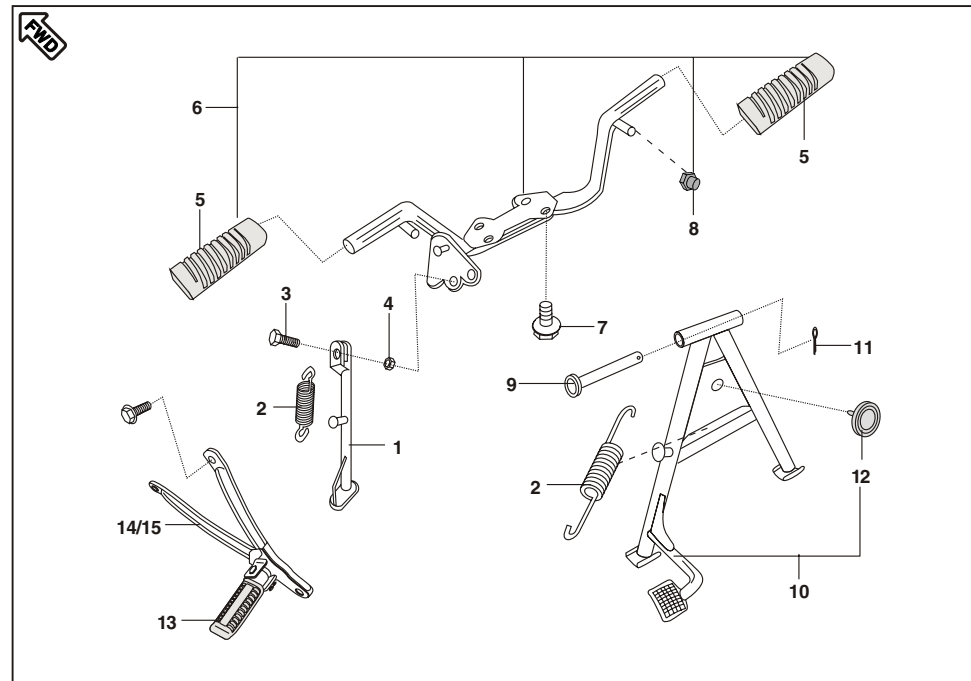
No.	Part No.	Description	Qty/ Veh.	Remarks
1	DZ 1610 54	Frame Comp./Brg.races	1	
2	31 1910 02	Clamp	1	
3	DF 1810 90	Nut	1	
4	DF 1810 52	Cap Steering	1	
5	36 DS18 02	Bearing cone kit	1	Alt P. No. 36DS4027
6	30 18 1006	Ball Steel	46	
7	39 1551 04	Flanged Bolt	3	
8	39 2222 04	Flange Bolt	1	
9	39 2702 04	Hex. Bolt	1	Engine Mounting Rubber
10	59 0400 18	Flanged Bolt	1	
11	59 2479 15	Flange Nut	2	
12	DZ 2210 02	Grip frame(die Cast)	1	JK231400 For Black Colour
13	DP 2210 01	Grip Frame	1	For Alloy Wheel
14	DU 1610 93	Bracket Engine Front/Bush LH	1	
	DU 1610 94	Bracket Engine Front/Bush RH	1	
15	DD 1610 53	Bracket Engine Upper LH	1	
16	DF 1611 68	Bracket Engine Upper RH	1	
17	59 0400 17	Flange Bolt	1	



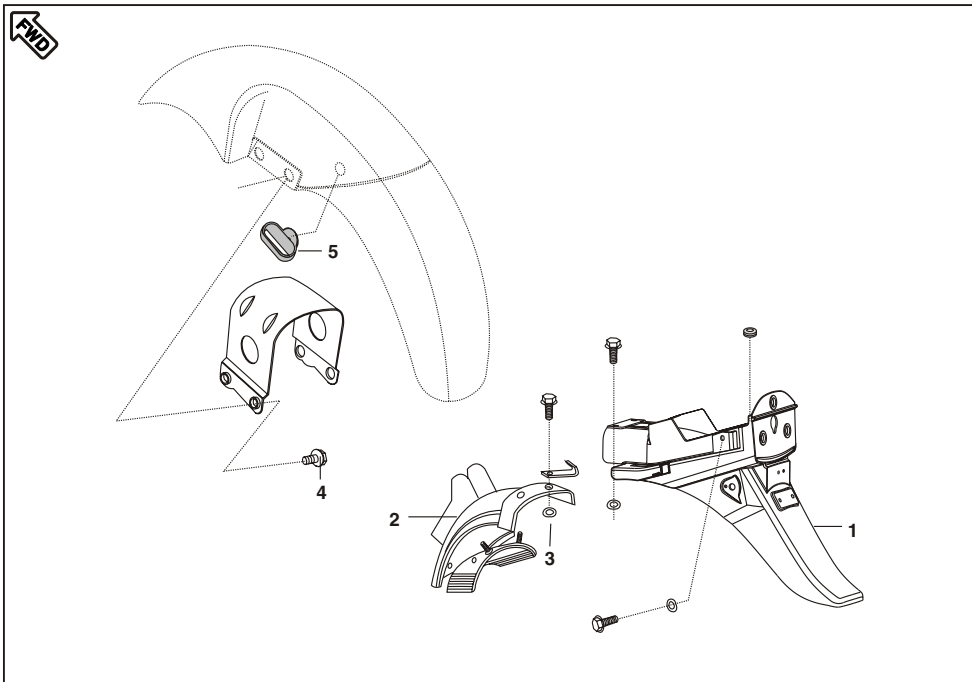
No.	Part No.	Description	Qty/ Veh.	Remarks
1	DZ 1710 01	Arm Comp. Swing / Bush	1	Alt. DZ171014
	DZ 1710 15	Arm Comp. Swing / Bush	1	For Alloy Wheel Axle dia 15
2	DZ 1710 07	Shaft Swing Arm	1	JK122006 For Black Colour
3	39 0781 11	Plain Washer	4	
4	DP 1710 06	Bushing Rubber	2	
5	39 0939 15	Nut Hex./ flange	1	DH171019 For AW Dia 130
6	DZ 1710 09	Damper for Swing arm	1	
7	39 0454 11	Plain washer	2	
8	39 0553 02	Self tapping Screw	2	
9	39 0712 15	Domed Cap Nut	4	
10	39 0737 12	Washer Spring	4	
11	39 0714 11	Washer Plain	8	
12	36 DF17 01	Rubber Inner Bush kit	1	Ref. Page No. 60
13	15 1510 61	Adjuster Chain (RH)	1	
	30 1710 23	Adjuster Chain (RH)	1	Drum dia 130mm
	JK 1220 04	Adjuster Chain (RH)	1	For Black Colour



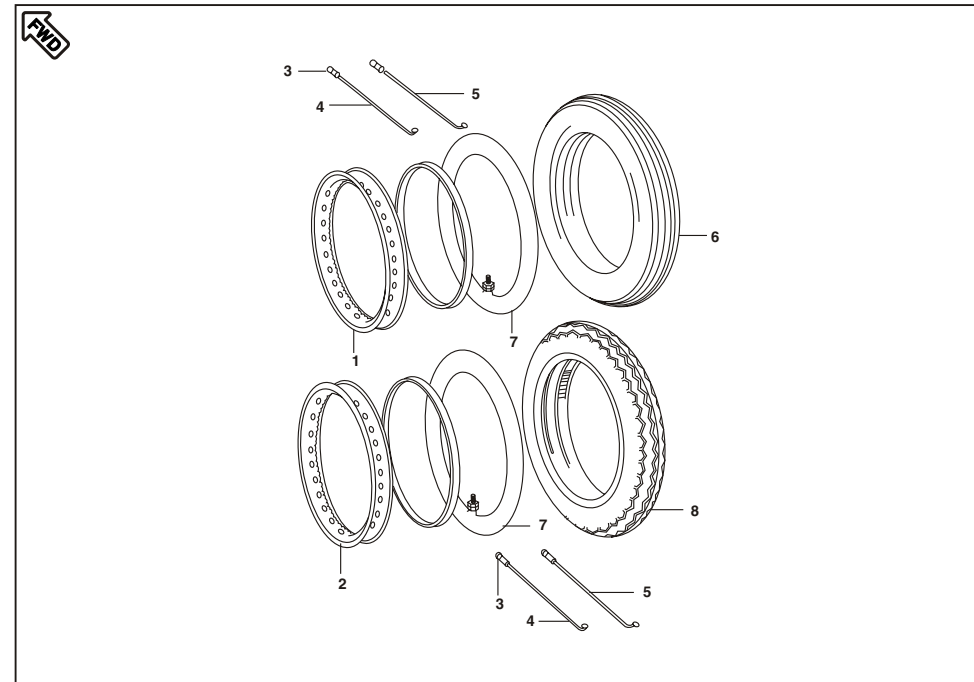
No.	Part No.	Description	Qty/ Veh.	Remarks
14	39 0711 11	Washer Plain	2	39130911 For Black Colour
15	39 0292 15	Hex Nut	4	
16	15 1510 62	Adjuster Chain (LH)	1	
	30 1710 24	Adjuster Chain (LH)	1	Drum dia 130mm
	JK 1220 02	Adjuster Chain (LH)	1	For Black Colour
17	DM 1710 25	Rear Shock Absorber	2	
	DZ 1710 16	Rear Shock Absorber	2	Black Powder Coating



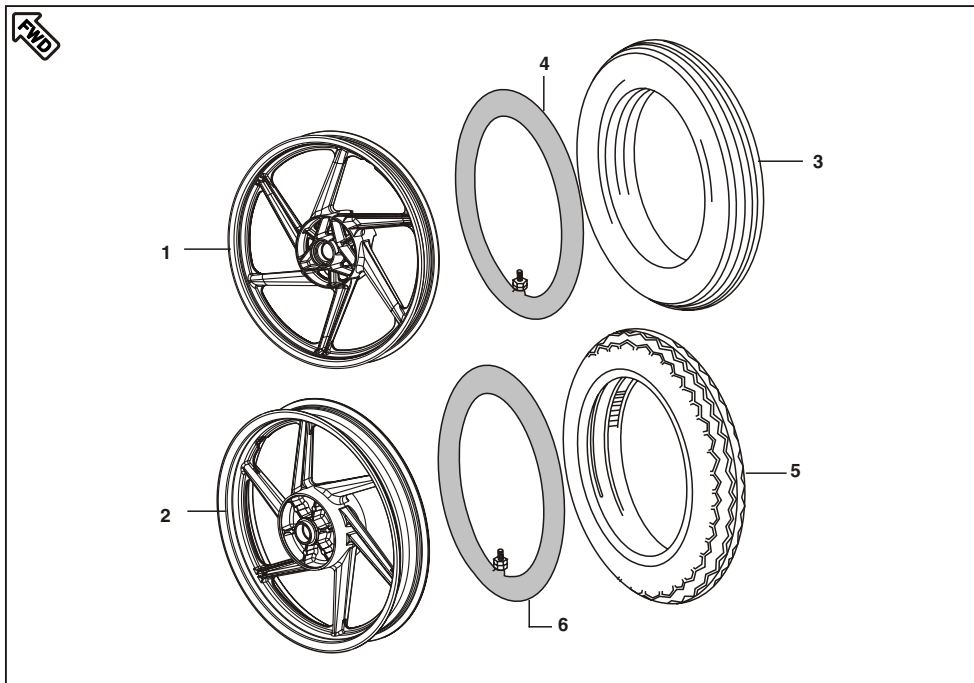
No.	Part No.	Description	Qty/ Veh.	Remarks
1	DL 1610 48	Stand Side	1	
2	30 1611 58	Spring	2	
3	DF 1611 02	Bolt	1	
4	39 0422 15	Nyloc Nut	1	
5	DF 1614 13	Damper (PVC)	2	
6	DF 1614 25	Holder Step/Damper/Kick Stopper	1	
7	39 2481 04	Flanged Bolt	4	
8	DH 1611 94	Kick Stopper	1	
9	30 1611 57	Shaft Stand	1	
10	DU 1610 32	Stand Centre/Damper	1	
11	39 0787 08	Pin Cotter	1	
12	DG 1611 24	Damper	1	
13	DX 1610 56	Rubber Pillion Step (PVC)	2	
14	DZ 1610 33	Stay LH / PVC Damper	1	
15	DZ 1610 34	Stay RH / PVC Damper	1	
16	39 2481 04	Hex bolt Flanged	2	N.I.
17	DH 1611 78	Spacer Main Step	2	N.I.
18	22 1504 51	Bolts- Cylinder Securing	1	N.I.



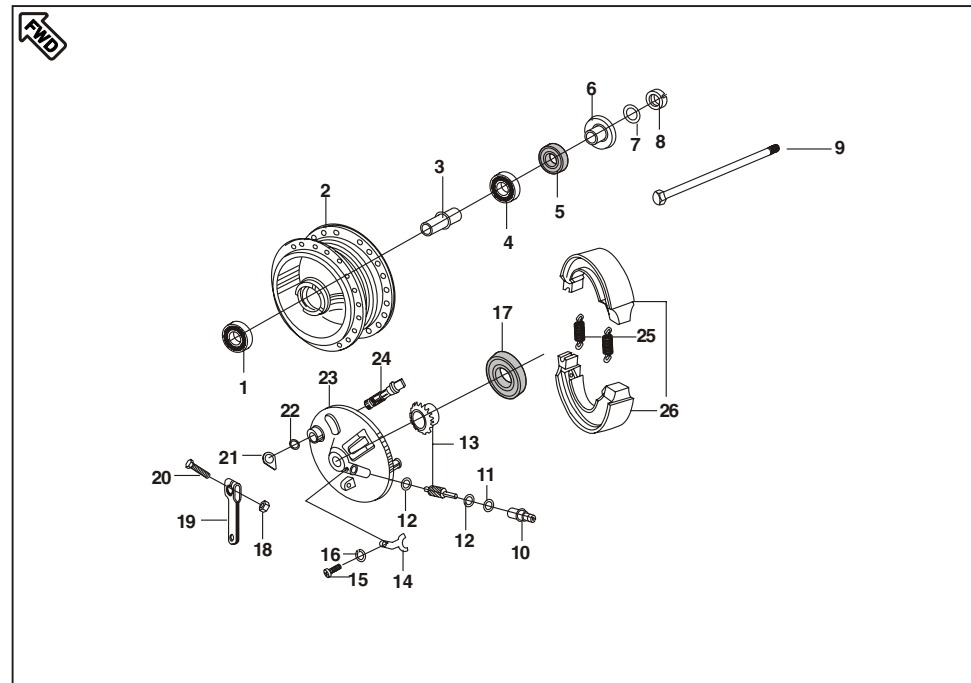
No.	Part No.	Description	Qty/ Veh.	Remarks
1	DP 1610 07	Fender Rear	1	
2	DP 1610 06	Fender Rear Front	1	
3	DP 1610 94	Bolt Stepped	1	
4	39 2222 04	Flanged Bolt	4	
5	DJ 1610 68	Cable Guide	1	
	DS 1611 25	Cable Guide	1	New Part
6	DP 181013	Bracket (Fork Side)	1	



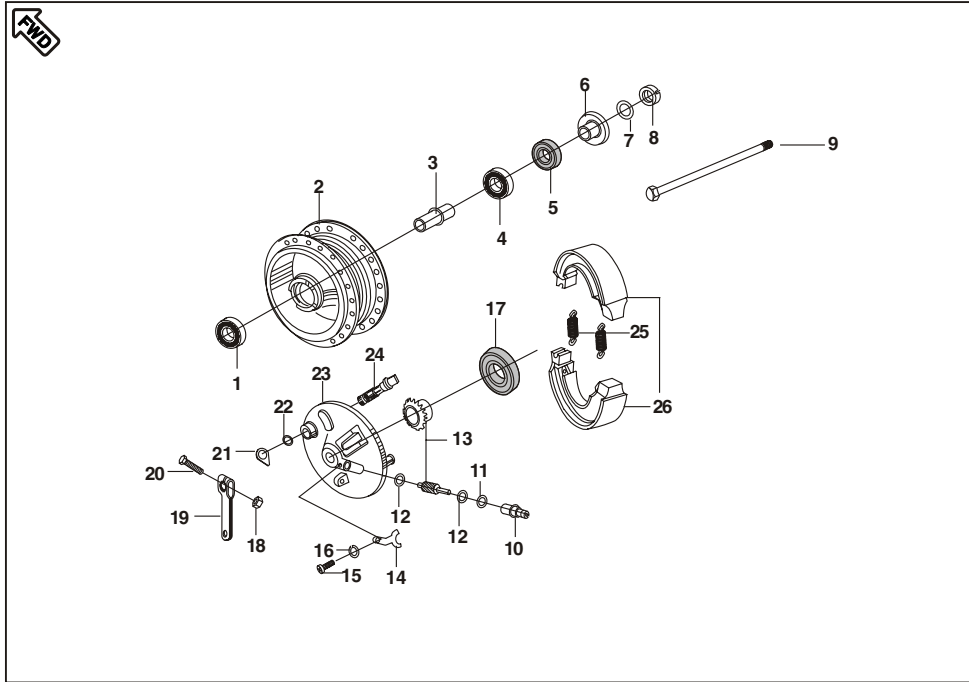
No.	Part No.	Description	Qty/ Veh.	Remarks
1	DM 1510 29	Wheel Rim Front	1	
2	DU 1510 18	Wheel Rim Rear	1	
3	16 1510 66	Nipple Spoke	72	
4	DU 1510 25	Spoke Inner	18	
5	DU 1510 26	Spoke Outer	18	
6	DS 1510 48	Tyre Front	1	} Not Serviceable
7	DS 1510 49	Tube	2	
8	DS 1510 53	Tyre Rear	1	



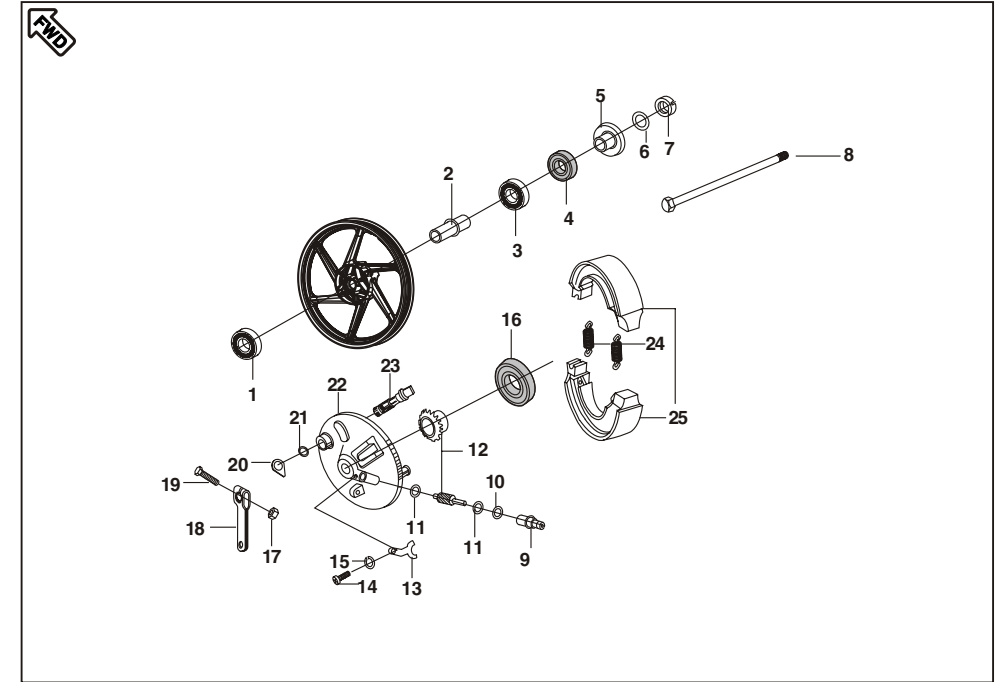
No.	Part No.	Description	Qty/ Veh.	Remarks
1	DS 1510 66	Wheel Rim Front	1	For 5 Spoke ,Dia 130 mm
	JB 1310 01	Wheel Rim Front	1	
	JK 1310 01	Wheel Rim Front	1	
	JK 1310 21	Wheel Rim Front	1	
2	JB 1312 01	Wheel Rim Rear	1	For 5 Spoke Dia 130 mm
	JB 1312 03	Wheel Rim Rear	1	
	DX 1510 20	Wheel Rim Rear	1	
	JB 1212 22	Wheel Rim Rear	1	
3	DS 1510 48	Tyre Front	1	} Not Serviceable
4	DS 1510 49	Tube Front	1	
5	DS 1510 31	Tyre Rear	1	
6	DS 1510 29	Tube Rear	1	



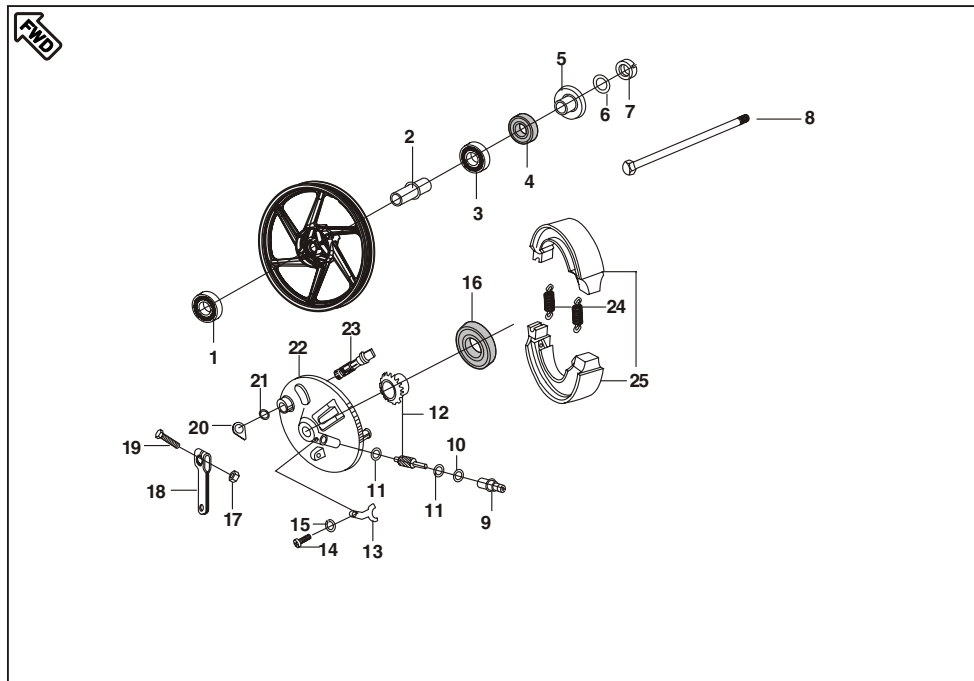
No.	Part No.	Description	Qty/ Veh.	Remarks
1	39 2680 20	Ball Bearing	1	
2	DF 1510 03	Drum Front	1	
3	31 1510 04	Collar	1	
4	39 2681 20	Ball Bearing	1	
5	14 1510 21	Oil Seal	1	
6	DU 1510 05	Collar Axle Assly.	1	Alt. 31 1510 36
7	39 02 4811	Plain Washer	1	
8	DZ 1510 40	Nut Hex. Slotted	1	
9	DZ 1510 12	Axle	1	
10	30 1511 19	Bushing	1	
11	39 1013 21	Ring 'O'	1	Ref. Page No. 60 Alt
12	30 1510 42	Washer	2	
13	36 DZ00 07	Gear Meter Screw Kit	1	
	36 Ds15 02	Gear Meter Screw Kit	1	
14	30 1511 18	Stopper Fro bushing	1	
15	39 0840 01	Screw pan Cross	1	



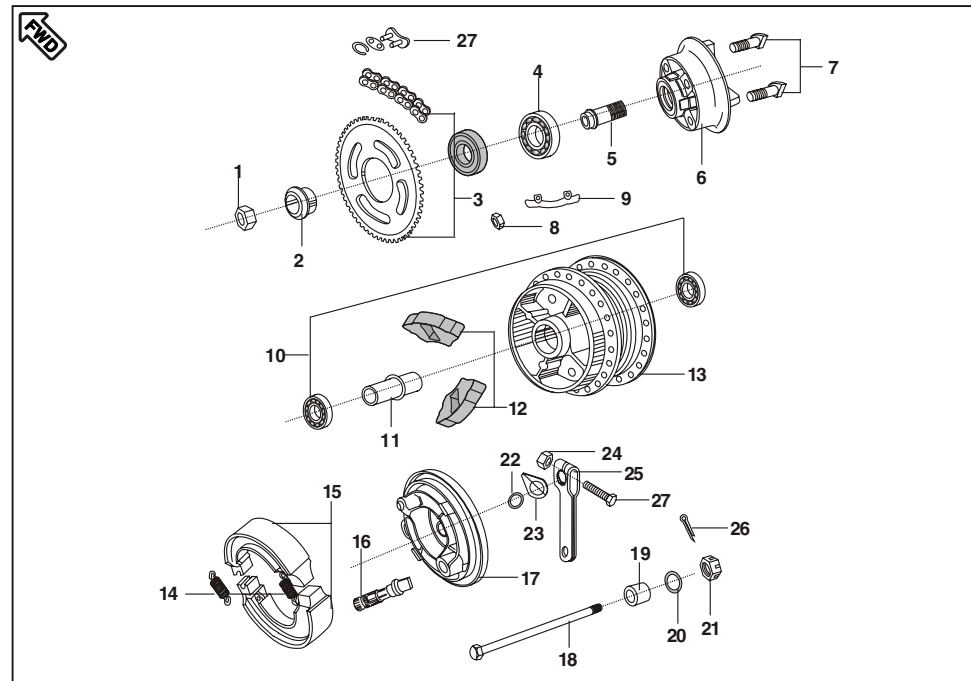
No.	Part No.	Description	Qty/ Veh.	Remarks
16	39 0900 12	Spring Washer	1	
17	31 1510 14	Oil Seal	1	
18	39 0798 15	Flange Nut	1	
19	DD 1510 08	Lever Brake Cam	1	
20	39 0775 04	Bolt	1	
21	DD 1510 09	Indicator Front	1	
22	30 1510 38	Ring O	1	
23	31 1510 39	Panel Front Brake	1	Alt. DZ151027
24	31 1510 11	Cam Brake	1	
25	30 1510 37	Spring	2	
26	31 1510 60	Shoe Brake	2	Alt. 30151069
27	39 0841 01	Screw Counter	1	N.I.



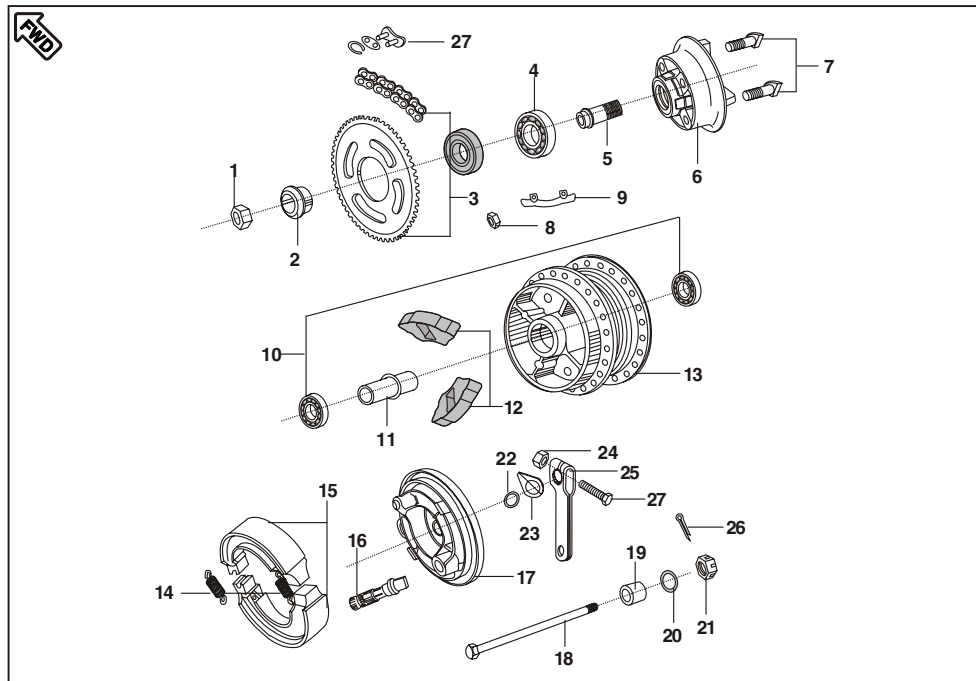
No.	Part No.	Description	Qty/ Veh.	Remarks
1	39 2688 20	Ball Bearing	1	10x35x11
	39 2680 20	Ball Bearing	1	Wheel rim dia 110 mm
2	30 1510 32	Collar	1	
	31 1510 04	Collar	1	Wheel rim dia 110 mm
3	39 2681 20	Ball Bearing	1	
4	30 1510 33	Oil Seal	1	
	14 1510 21	Oil Seal	1	Wheel rim dia 110 mm
5	30 1511 22	Collar Axle Assly.	1	JK131807 For Black Colour
	DU 1510 05	Collar Axle Assly.	1	Wheel rim dia 110 mm
6	39 0248 11	Plain Washer	1	39151011For Black Colour
7	59 1500 03	Nut Hex. Slotted	1	LCJ00001For Black Colour
	DU 1510 31	Nut	1	Wheel rim dia 110 mm
8	DZ 1510 14	Axle	1	DZ151012 Dia 110
	JK 1310 23	Axle	1	For Black Colour
9	30 1511 19	Bushing	1	Wheel rim dia 110 mm
	JA 1316 06	Bushing	1	For 5 Spoke
10	39 1013 21	Ring 'O'	1	
11	30 1510 42	Washer	2	



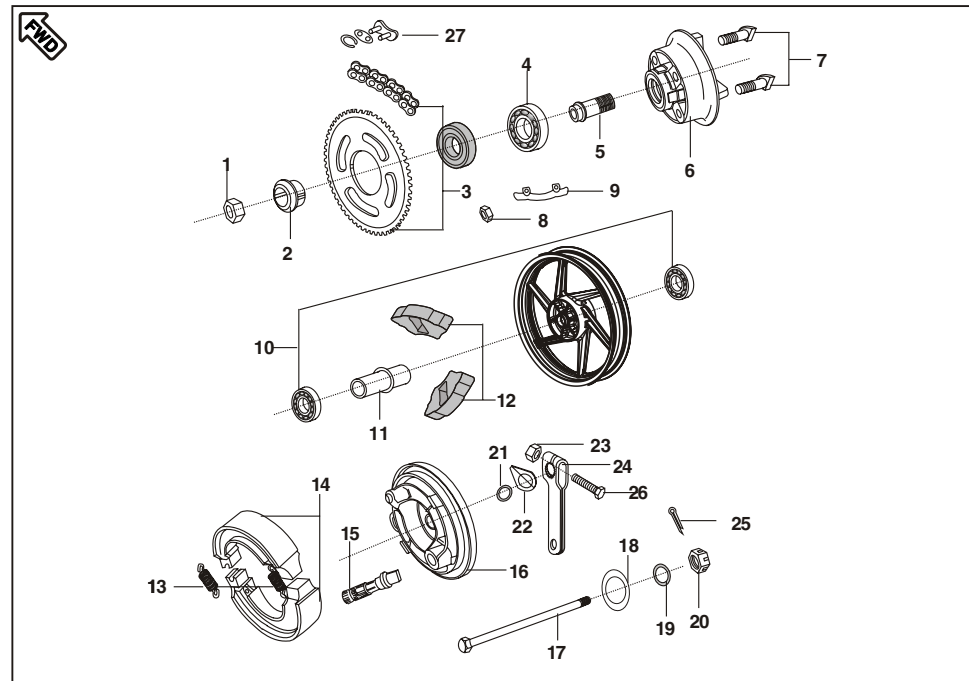
No.	Part No.	Description	Qty/ Veh.	Remarks
12	36 DZ00 08	Gear Meter Screw Kit	1	Ref. Page No. 60
13	30 1511 18	Stopper For bushing	1	JK131016 For Black Colour
14	39 0840 01	Screw pan Cross	1	JK131018 For Black Colour
15	39 0900 12	Spring Washer	1	JK131019 For Black Colour
16	31 1510 14	Oil Seal	1	
17	39 0798 15	Flange Nut	1	DS151094 For Black Colour
18	DD 1510 08	Lever Brake Cam	1	
	JA 1316 07	Lever Brake Cam	1	For 5 Spoke
19	39 0775 04	Bolt	1	
20	DD 1510 09	Indicator Front	1	DS151091 For Black Colour
21	30 1510 38	Ring O	1	DS151095 For Black Colour
	39 1516 64	Ring O	1	For 5 Spoke
22	DD 1510 13	Panel Front Brake	1	JK131024 For Black Colour
	DZ 1510 30	Panel Front Brake	1	For 5 Spoke
	DZ 1510 27	Panel Front Brake	1	Wheel Rim Dia. 110mm
	JK 1318 06	Panel Front Brake	1	For Black Colour
23	30 1510 04	Cam Brake	1	JK131025 For Black Colour
	31 1510 11	Cam Brake	1	Wheel Rim Dia. 110mm
24	30 1510 69	Spring	2	
25	30 1510 68	Shoe Brake	2	Alt. 30151105
	31 1510 07	Shoe brake	2	For 5 Spoke



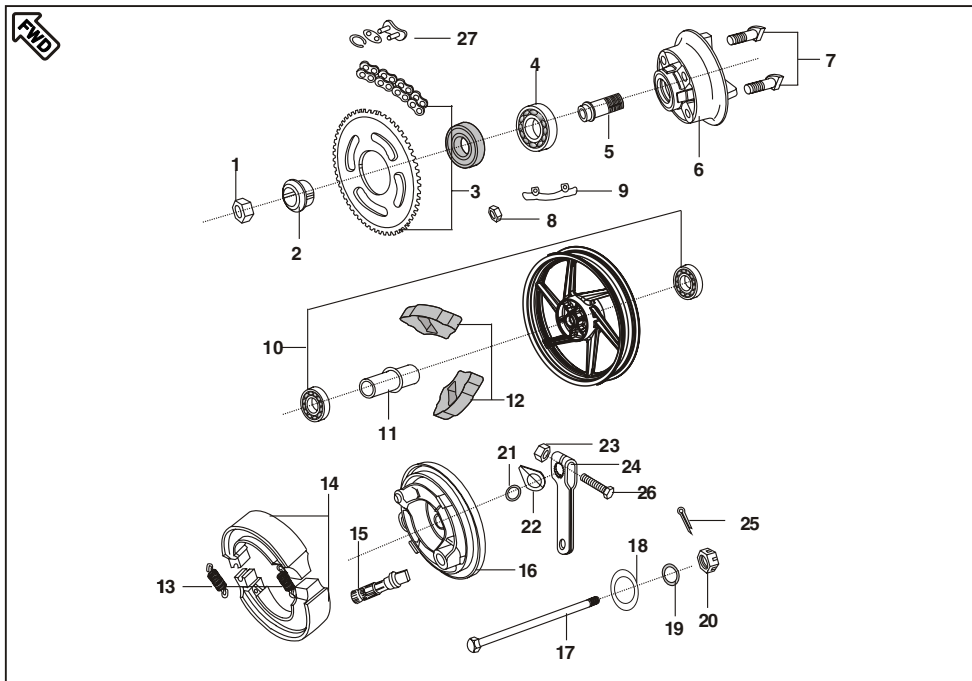
No.	Part No.	Description	Qty/ Veh.	Remarks
1	39 0988 15	Nut Hex.	1	
2	30 1510 05	Indicator	1	
3	36 DZ00 02	Chain Sprocket Kit	1	Ref. Page No. 60
4	39 2240 20	Bearing Ball	1	
5	DZ 1510 02	Sleeve	1	
6	DU 1510 10	Coupling	1	
7	39 0978 04	'D' bolt	4	
8	39 0794 15	Nut Hex. Fine	4	
9	31 1510 29	Lock Washer	2	
10	36 DU15 06	Rear Wheel Bearing Kit	1	Ref. Page No. 60
11	31 1510 18	Collar Bearing	2	
12	31 1510 21	Shock Damper	4	
13	DU 1510 09	Drum Rear	1	
14	30 1510 69	Spring	2	
15	31 1510 07	Shoe Brake	1	



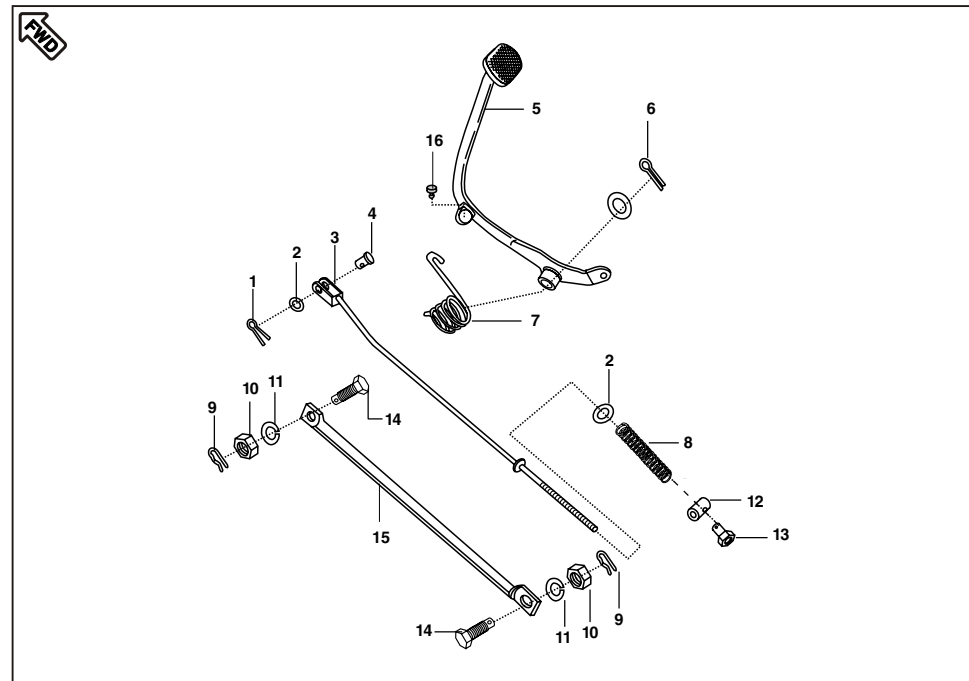
No.	Part No.	Description	Qty/ Veh.	Remarks
16	31 1510 23	Brake Cam	1	Modify Parts.
17	31 1510 24	Panel Rear Brake	1	
18	DZ 1510 10	Axle	1	
	DZ 1510 38	Axle	1	
19	DZ 1510 04	Collar	1	
20	39 0714 11	Washer Plain	1	
21	59 1500 03	Hex 'U' nut	1	
22	30 1510 38	Ring O	1	
23	DZ 1510 03	Collar	1	
24	39 0798 15	Hex Nut	1	
25	31 1510 37	Lever Brake	1	
26	39 0787 08	Pin Cotter	1	
27	39 0798 15	Hex. nut	1	



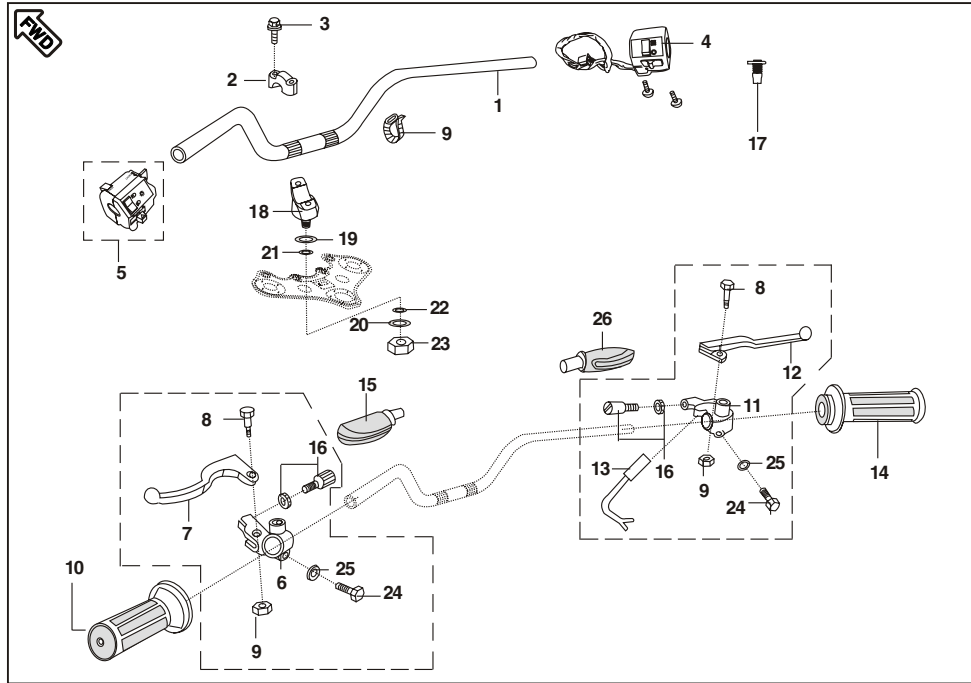
No.	Part No.	Description	Qty/ Veh.	Remarks
1	39 0988 15	Nut Hex.	1	Ref. Page No. 60
2	30 1510 05	Indicator	1	
3	36 DZ00 02	Chain Sprocket Kit	1	
4	39 2240 20	Bearing Ball	1	
5	DZ 1510 02	Sleeve	1	
	DZ 1510 19	Sleeve	1	
	JK 1312 02	Sleeve	1	
6	DU 1510 10	Coupling	1	
7	DZ 1510 18	Stud	4	
8	39 0801 15	Nut Hex. Fine	4	
9	31 1510 29	Lock Washer	2	
10	36 DU15 06	Rear Wheel Bearing Kit	1	
11	31 1510 18	Collar Bearing	2	
12	DX 1510 25	Coupling Rubber Integral	4	
	31 1510 21	Coupling Rubber Integral	4	
13	30 1510 69	Spring	2	
14	31 1510 08	Shoe Brake	1	
15	31 1510 23	Brake Cam	1	



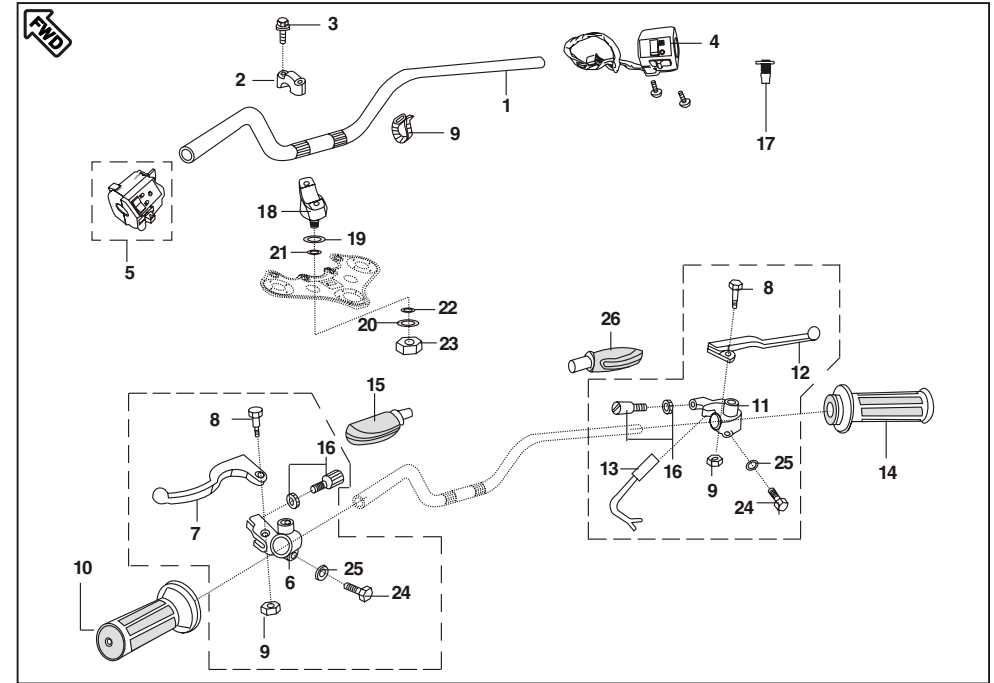
No.	Part No.	Description	Qty/ Veh.	Remarks
16	DS 1510 69	Panel Rear Brake	1	JA131205 For Black Colour
	JA 1312 05	Panel Rear Brake	1	For 5 Spoke
	DZ 1510 16	Panel Rear Brake	1	Drum Dia. 130mm
17	DZ 1510 21	Axle	1	JK131201 For Black Colour
18	DZ 1510 04	Collar	1	JK131204 For Black Colour
	DZ 1510 20	Collar	1	For 5 Spoke
19	39 0714 11	Washer Plain	1	
20	DH 1710 19	'U' nut Swing Arm	1	
21	30 1510 38	Ring O	1	
22	DZ 1510 20	Collar	1	
23	39 0798 15	Hex Nut	1	
24	31 1510 37	Lever Brake	1	JB131605 For Black Colour
25	39 0787 08	Pin Cotter	1	
	39 0807 08	Pin Cotter	1	For 5 Spoke
26	39 0798 15	Hex. nut	1	
27	DX 1510 81	Chain lock set	1	



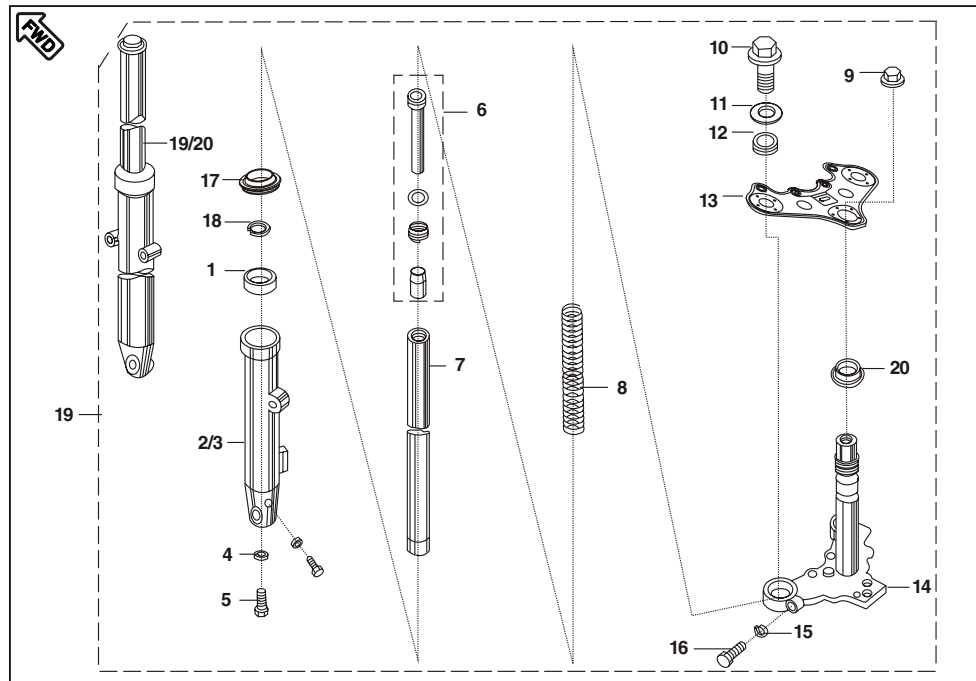
No.	Part No.	Description	Qty/ Veh.	Remarks
1	39 0808 08	Split pin	1	
2	39 0198 11	Plain Washer	2	
3	DZ 1910 01	Rod Brake	1	
	DP 1910 02	Rod Brake	1	For alloy wheel
	DZ 1910 11	Rod Brake (Drum Dia 130)	1	JK131201 For Black Colour
4	30 1910 38	Pin	1	
5	DZ 1910 04	Lever Brake Tubular	1	
6	39 0797 08	Pin Cotter	1	
7	30 1910 31	Spring	1	
8	30 1910 35	Spring	1	
9	39 0807 08	Pin Snap	2	
10	39 0708 15	Nut Hex.	2	
11	39 0789 12	Washer Spring	2	
12	30 1910 37	Pin	1	
13	30 1910 36	Brake adjusting nut	1	
14	30 1510 95	Bolt	2	Dz151031 For Dia 130
15	DP 1510 07	Torque rod	1	
	DZ 1510 09	Torque rod	1	For alloy wheel Alt JK122011
16	DD 1610 78	Damper	1	



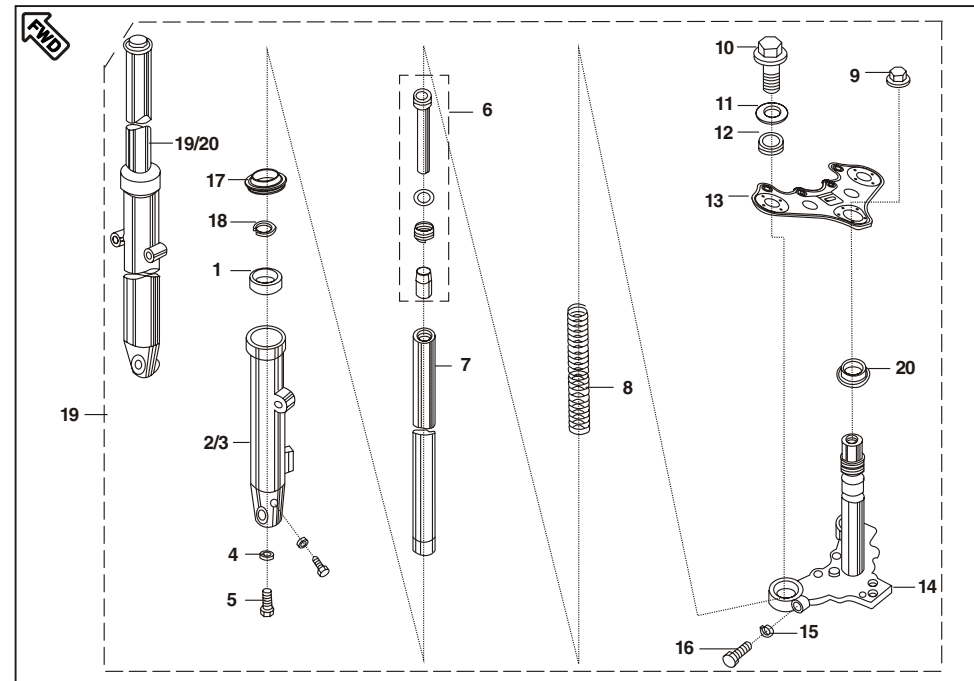
No.	Part No.	Description	Qty/ Veh.	Remarks
1	DU 1810 21	Handle	1	
2	FD 1810 30	Holder Handle Upper	2	
3	39 1074 04	Flanged Bolt	4	
4	DU 2010 18	Control Switch RH	1	
	JK 4014 02	Control Switch RH	1	From Feb 2010
5	DD 2011 55	Control Switch LH	1	
6	DL 1910 12	Holder Left hand	1	
7	DL 1910 13	Lever grip - Left	1	
8	DL 1910 14	Stud Lever handle	2	
9	39 1184 15	Nyloc nut	2	
10	DU 1910 09	Grip - Left hand	1	
11	DD 1911 41	Holder Right hand	1	
12	DD 1911 42	Lever grip - Right	1	
13	DD 2011 70	Front brake switch	1	
14	DU 1910 03	Grip assly RH	1	
15	DD 1911 44	Boot For Lever LH	1	



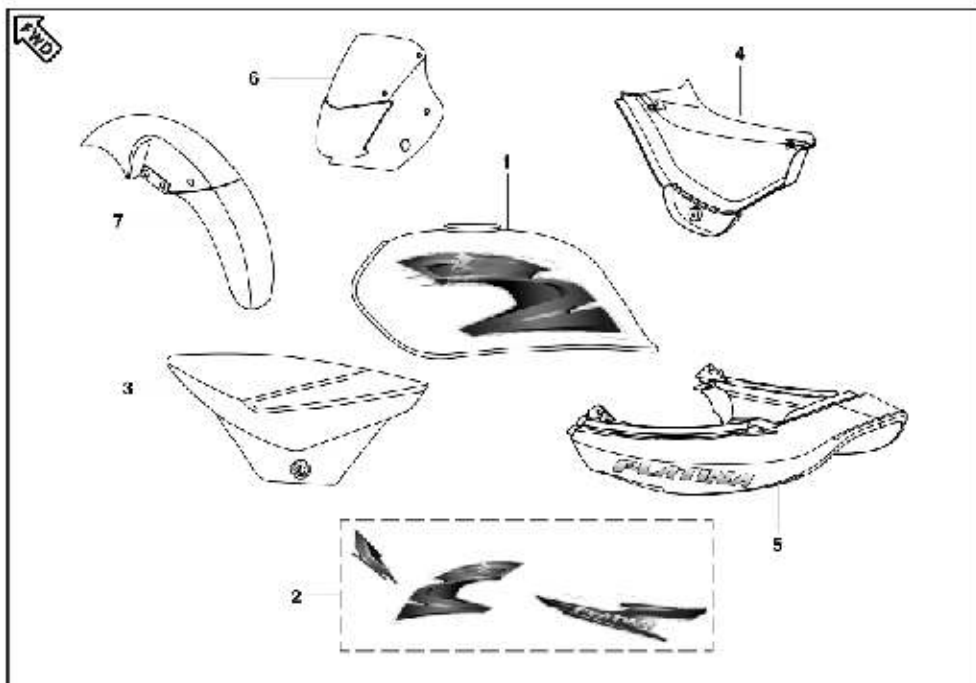
No.	Part No.	Description	Qty/ Veh.	Remarks
16	36 DU19 01	Cable Adjuster kit	1	Ref. Page No. 60
17	DU 2010 46	Plunger with Spring	1	
18	FD 1810 31	Holder Handle Lower	2	
19	DF 1810 91	Damper Handle Upper	2	
20	DF 1810 92	Damper Handle Lower	2	
21	FD 1810 19	Washer Plain Upper	2	
22	FD 1810 20	Washer Plain Lower	2	
23	39 2249 15	Nylock Nut	2	
24	39 0725 04	Hex.Bolt	2	
25	39 0198 11	Plain Washer	2	
26	DD 1911 43	Boot For Lever RH	1	



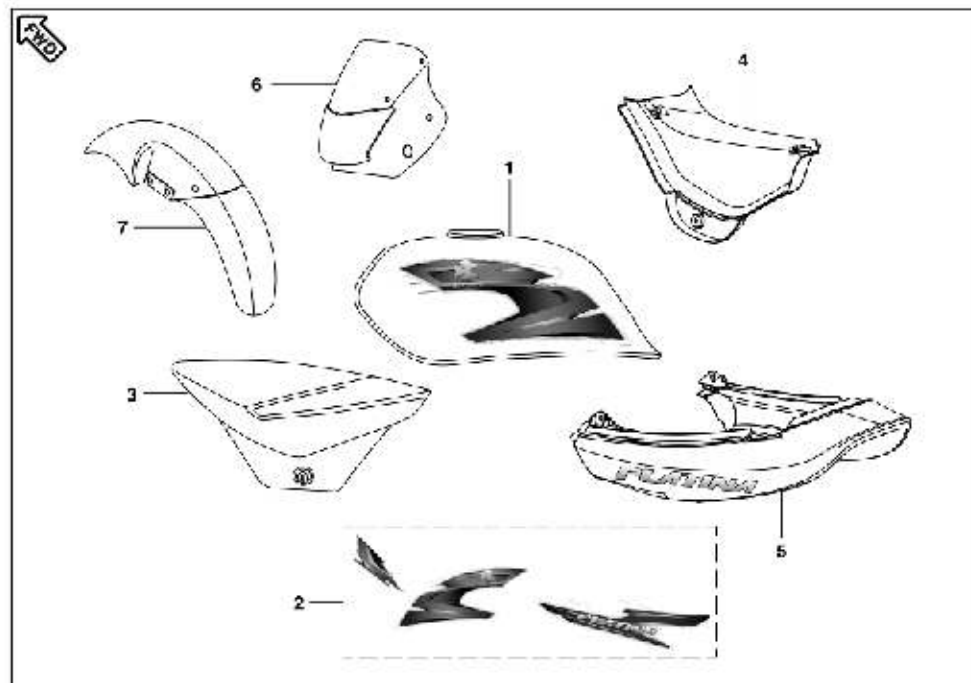
No.	Part No.	Description	Qty/ Veh.	Remarks
1	36 DZ00 20	Seal Oil Kit	1	
2	DD 1810 10	Pipe Left Fork Outer	1	
	DD 1810 67	Pipe Left Fork Outer	1	For alloy wheel
	DD 1811 05	Pipe Left Fork Outer	1	Modify Parts.
	JK 1210 12	Pipe Left Fork Outer	1	For Black Colour
3	DD 1810 14	Pipe Right Fork Outer	1	
	DD 1810 69	Pipe Right Fork Outer	1	For alloy wheel
	DD 1811 05	Pipe Right Fork Outer	1	New Part
	JK 1210 13	Pipe Right Fork Outer	1	For Black Colour
4	30 1810 26	Gasket	2	
5	30 1810 25	Bolt	2	
6	30 1810 18	Cyl. Complete Fork	2	
7	DM 1810 36	Pipe Comp. Susp. Inner	2	
8	DE 1810 31	Spring Front Fork	2	
9	FD 1810 12	Cap Special Nut	1	
10	30 1810 44	Bolt Fork	2	
11	30 1810 29	Ring 'O'	2	
12	DF 1810 85	Seat Fork Spring	2	
13	DD 1812 05	Holder Fork Upper	1	



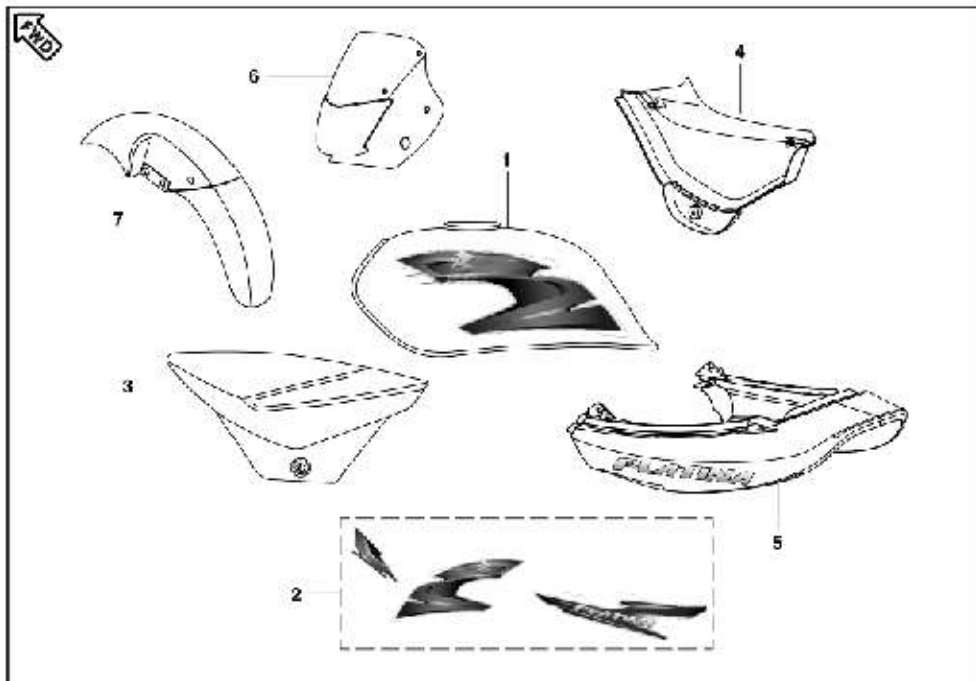
No.	Part No.	Description	Qty/ Veh.	Remarks
14	DD 1812 07	Holder Fork Under	1	
15	39 0789 12	Washer Spring	2	
16	39 1813 04	Bolt Hex.	2	
18	30 1810 23	Ring snap	2	
19	DU 1810 67	Front Fork without fork cover	1	Front Drum Dia 110
	DZ 1810 13	Front Fork (axle dia 15)	1	For Alloy Wheel
	JK 1210 14	Front Fork (axle dia 15)	1	For Black Colour
20	36 DS18 02	Bearing cone Kit	1	Alt. P. No. 36DS4027



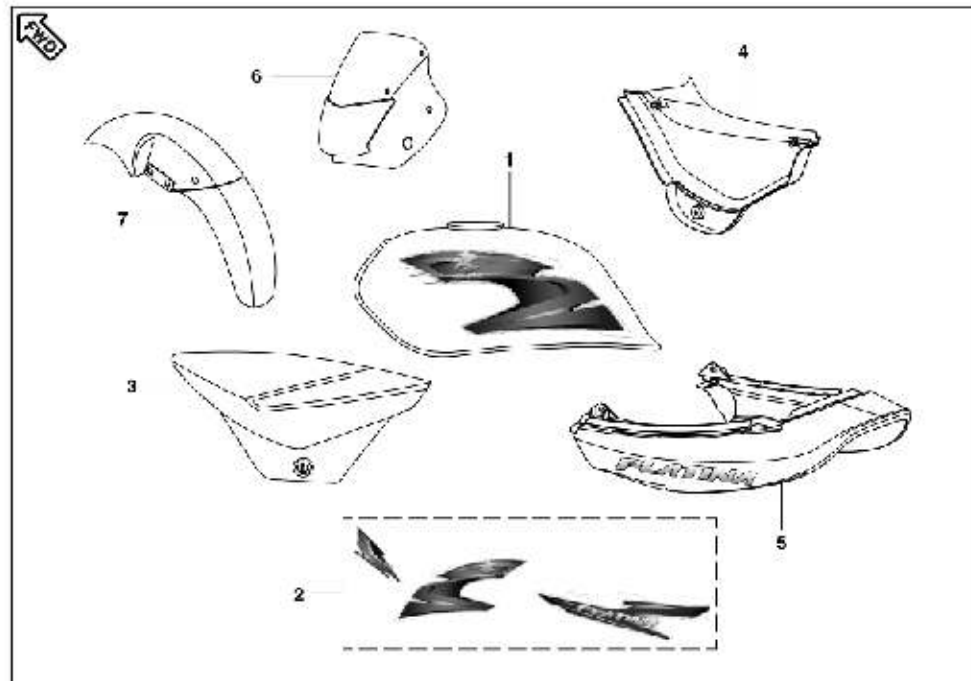
No.	Part No.	Description	Qty/ Veh.	Remarks
1	DZ 7101 2V	Petrol Tank with Decal	1	Cocktail Wine Red
	DZ 7102 2V	Petrol Tank with Decal	1	Cocktail Wine Red
	DZ 7105 2V	Petrol Tank with Decal	1	Cocktail Wine Red- Feb 2010
	DZ 7101 3A	Petrol Tank with Decal	1	Long Beach Blue
	DZ 7105 3A	Petrol Tank with Decal	1	Long Beach Blue-Feb 2010
	DZ 7101 3Q	Petrol Tank with Decal	1	Silver / Chrome
	DZ 7105 3Q	Petrol Tank with Decal	1	Silver / Chrome-Feb 2010
	DZ 7101 3V	Petrol Tank with Decal	1	Slate Gray
	DZ 7105 3V	Petrol Tank with Decal	1	Slate Gray -Feb 2010
	DZ 7101 3U	Petrol Tank with Decal	1	Grojo Nickel Met(Alloy Wheel)
	DZ 7101 3J	Petrol Tank with Decal	1	For Jet black Red
	DZ 7101 3S	Petrol Tank with Decal	1	Violet -c
	DZ 7101 3W	Petrol Tank with Decal	1	For Black /Chrome
	DZ 7102 3W	Petrol Tank with Decal	1	For Black /Chrome
	DZ 7105 3W	Petrol Tank with Decal	1	For Black /Chrome-Feb 2010
	DZ 7102 3A	Petrol Tank with Decal	1	Long Beach Blue
	DZ 7102 3Q	Petrol Tank with Decal	1	Silver / Chrome
	DZ 7102 3V	Petrol Tank with Decal	1	Slate Gray
	DZ 7102 4G	Petrol Tank with Decal	1	Black Maroon



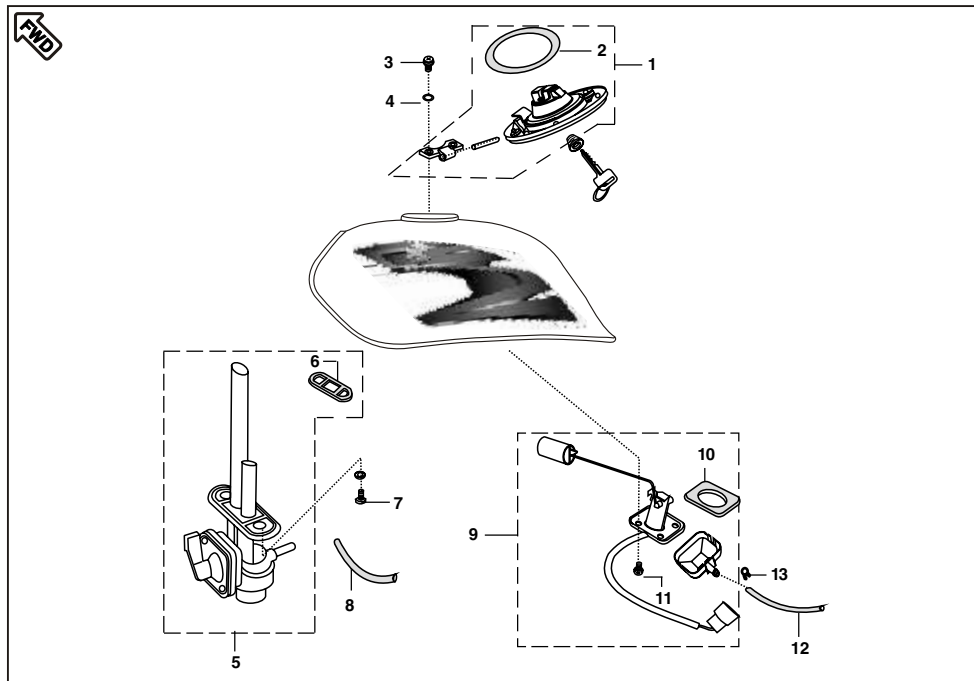
No.	Part No.	Description	Qty/ Veh.	Remarks
2	DZ 7101 4C	Petrol Tank with Decal	1	Black with Maroon
	DZ 7105 4G	Petrol Tank with Decal	1	Black with Maroon-Feb 2010
	DZ 7105 3F	Petrol Tank with Decal	1	Flame Red
	36 DZ00 03	Decal Set	1	Long Beach Blue
	36 DZ00 04	Decal Set	1	Cocktail Wine Red
	36 DZ00 10	Decal Set	1	Jet black Blue
	36 DZ00 14	Decal Set	1	Silver / Chrome
	36 DZ00 15	Decal Set	1	Black Violet
	36 DZ00 16	Decal Set	1	Black Chrome
	36 DZ00 18	Decal Set	1	Slate Gray
	36 DZ00 19	Decal Set	1	Gigo Nickel
	36 DZ00 34	Decal Set	1	Flame Red
36 DZ00 24	Decal Set	1	Maroon	
3	DZ 7301 2V	Cover Side LH with Decal	1	Cocktail Wine Red
	DZ 7301 3A	Cover Side LH with Decal	1	Long Beach Blue
	DZ 7301 3Q	Cover Side LH with Decal	1	Silver / Chrome
	DZ 7301 3V	Cover Side LH with Decal	1	Slate Gray
	DZ 7301 3U	Cover Side LH with Decal	1	Grojo Nickel Met
	DZ 7301 3J	Cover Side LH with Decal	1	Jet Black Red
	DZ 7301 3S	Cover Side LH with Decal	1	Violet -C
	52 DZ03 54	Cover Side LH with Decal	1	Flame Red



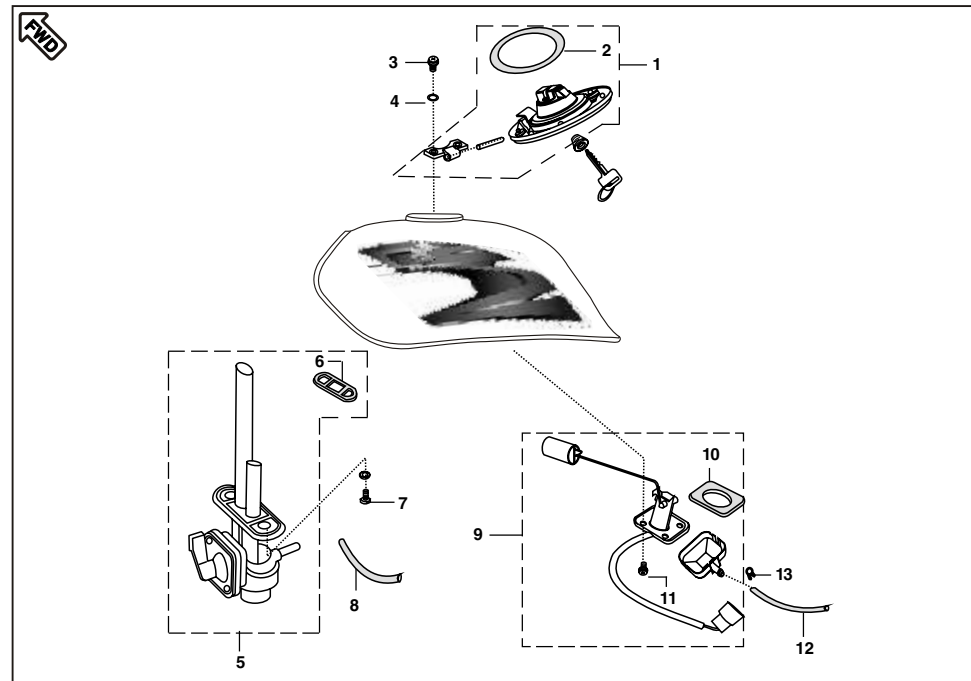
No.	Part No.	Description	Qty/ Veh.	Remarks
4	DZ 7302 2V	Cover Side RH with Decal	1	Cocktail Wine Red
	DZ 7302 3A	Cover Side RH with Decal	1	Long Beach Blue
	DZ 7302 3Q	Cover Side RH with Decal	1	Silver / Chrome
	DZ 7302 3V	Cover Side RH with Decal	1	Slate Gray
	DZ 7302 3U	Cover Side RH with Decal	1	Grigio Nickel Met
	DZ 7302 3J	Cover Side RH with Decal	1	Jet Black Red
	DZ 7302 3S	Cover Side RH with Decal	1	Violet -C
	52 Dz03 55	Cover Side RH with Decal	1	Flame Red
	5	DZ 7303 2V	Cover Seat with Decal	1
DZ 7303 3A		Cover Seat with Decal	1	Long Beach Blue
DZ 7303 3Q		Cover Seat with Decal	1	
DZ 7303 3V		Cover Seat with Decal	1	Slate Gray
DZ 7303 3U		Cover Seat with Decal	1	Grigio Nickel Met
DZ 7303 3S		Cover Seat with Decal	1	Violet -C
DZ 7303 3W		Cover Seat with Decal	1	Black Chrome
DZ 7303 4G		Cover Seat with Decal	1	Black Maroon Red
52 Dz03 57		Cover Seat with Decal	1	Flame Red
6	DZ 7401 2V	Fairing with Decal	1	Cocktail Wine Red
	DZ 7401 3A	Fairing with Decal	1	Long Beach Blue
	DZ 7401 3Q	Fairing with Decal	1	Silver / Chrome



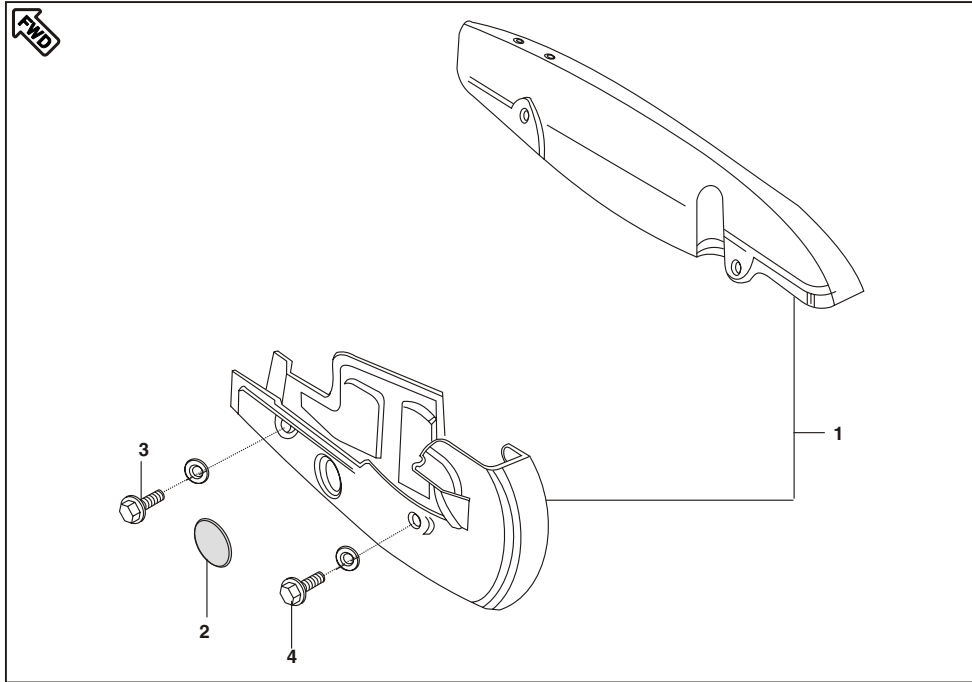
No.	Part No.	Description	Qty/ Veh.	Remarks
7	DZ 7401 3V	Fairing with Decal	1	Slate Gray
	DZ 7401 3U	Fairing with Decal	1	Grigio Nickel Met
	DZ 7401 3A	Fairing with Decal	1	Long Beach Blue
	DZ 7401 3J	Fairing with Decal	1	Jet Black Red
	DZ 7401 3S	Fairing with Decal	1	Violet -C
	DZ 7401 3W	Fairing with Decal	1	Black / Chrome
	DZ 7401 4G	Fairing with Decal	1	Maroon Decal
	52 Dz03 59	Fairing with Decal	1	Flame Red
	52 DZ00 16	Fender Front with riveted brace	1	Cocktail Wine Red
	52 DZ00 15	Fender Front with riveted brace	1	Long Beach Blue
52 DZ00 30	Fender Front with riveted brace	1	Silver / Chrome	
52 DZ00 61	Fender Front with riveted brace	1	Slate Gray	
52 DZ00 62	Fender Front with riveted brace	1	Grigio Nickel Met	
52 DZ03 59	Fender Front with riveted brace	1	Slate Gray	



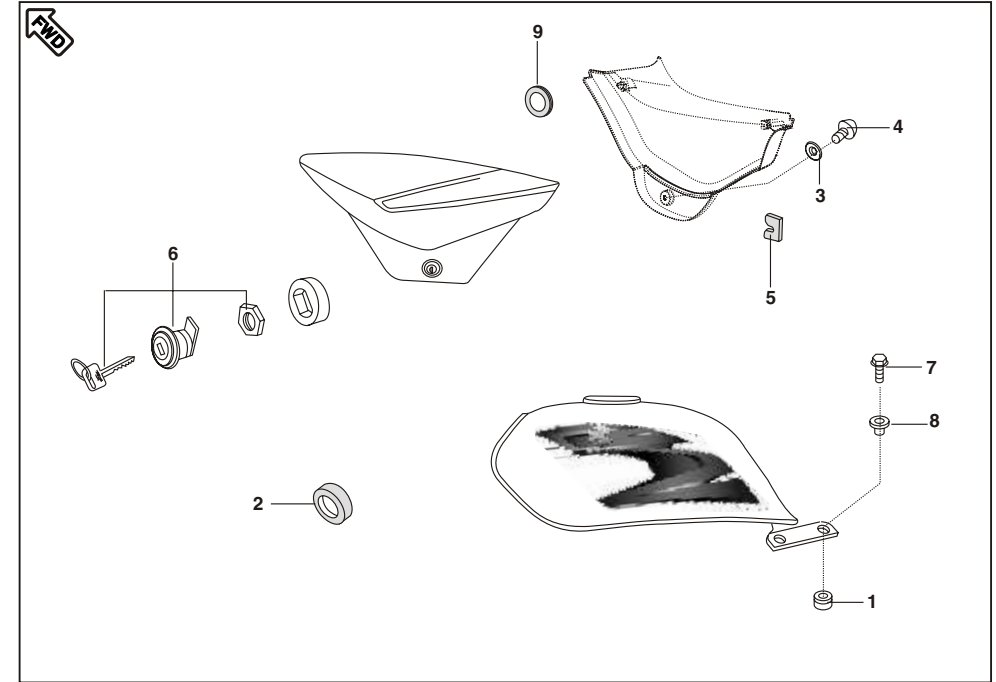
No.	Part No.	Description	Qty/ Veh.	Remarks
1	DZ 1410 11	Cap Assly. Tank	1	Alt. Dd141024
	DS 1410 09	Cap Assly. Tank	1	From Feb 2010
2	30 1410 52	Packing (For Cap)	1	
3	39 0761 01	Screw Pan Cross	2	
4	30 1410 31	O Ring	2	
	39 2758 21	O Ring	2	New Part
5	DZ 1410 04	Tap Assly.	1	Alt. DZ141040
6	30 1410 39	Packing For Tap	1	
7	DD 1412 27	Bolt Flanged	2	
8	DU 1410 41	Tube Fuel	1	
9	DZ 2010 02	Gauge Fuel-Square Shape	1	
	DZ 2010 19	Gauge Fuel-Octagonal Shape	1	New Part
10	30 1410 28	Gasket For Gauge Fuel	1	
11	30 1410 32	Bolt	1	
12	DZ 1010 34	Tube Rubber	1	
13	DP 1210 25	Clamp	1	
14	DZ 1810 04	Lock Assly. 3 IN 1	1	(N.I.)



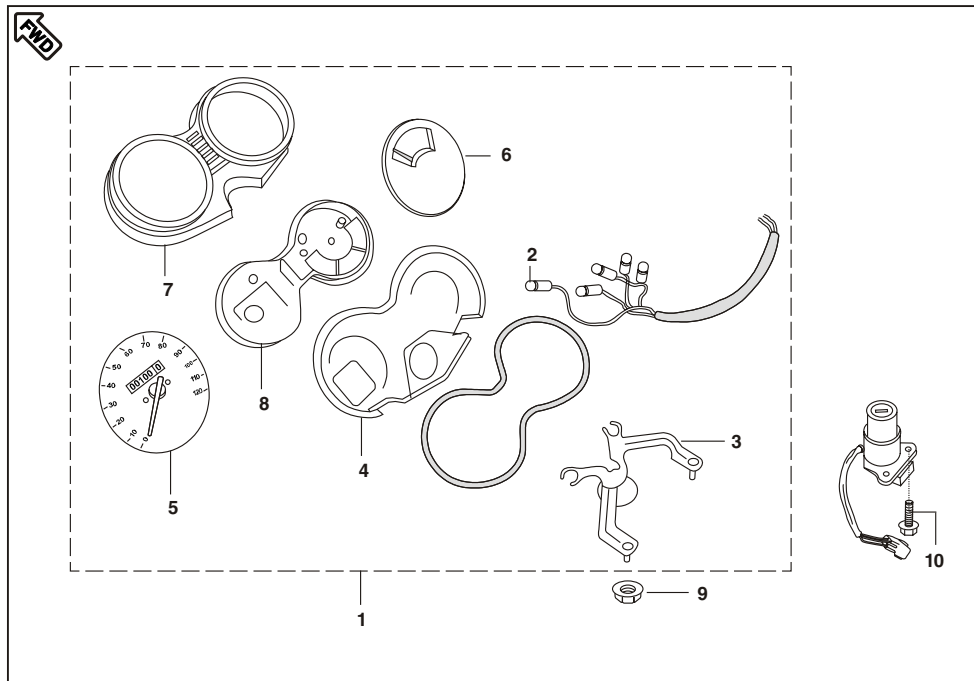
No.	Part No.	Description	Qty/ Veh.	Remarks
15	DU 1410 62	Flange Assly. Fuel Gauge	1	New Part
16	39 2484 15	Nut Flange	4	New Part
17	30 1410 32	Bolt	4	New Part
18	DZ 1410 75	Hole Washer	4	Puvane Make Fuel Cock
19	DZ 1410 40	Fuel Cock	1	Puvane Make Fuel Cock



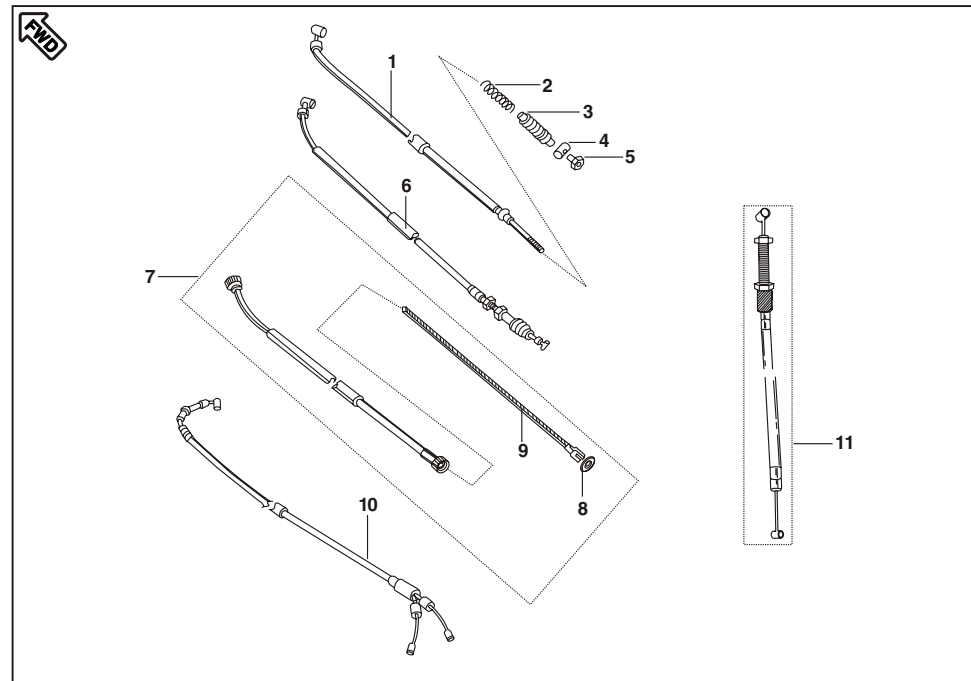
No.	Part No.	Description	Qty/ Veh.	Remarks
1	36 DZ00 01	Case Chain Kit	1	Ref. Page No. 61 For Alloy Wheel Dia. 130
	36 DZ00 09	Case Chain Kit	1	
2	DF 1614 16	Rubber Cap	1	
3	39 2475 04	Flanged Bolt	2	
4	39 1551 04	Flanged Bolt	2	



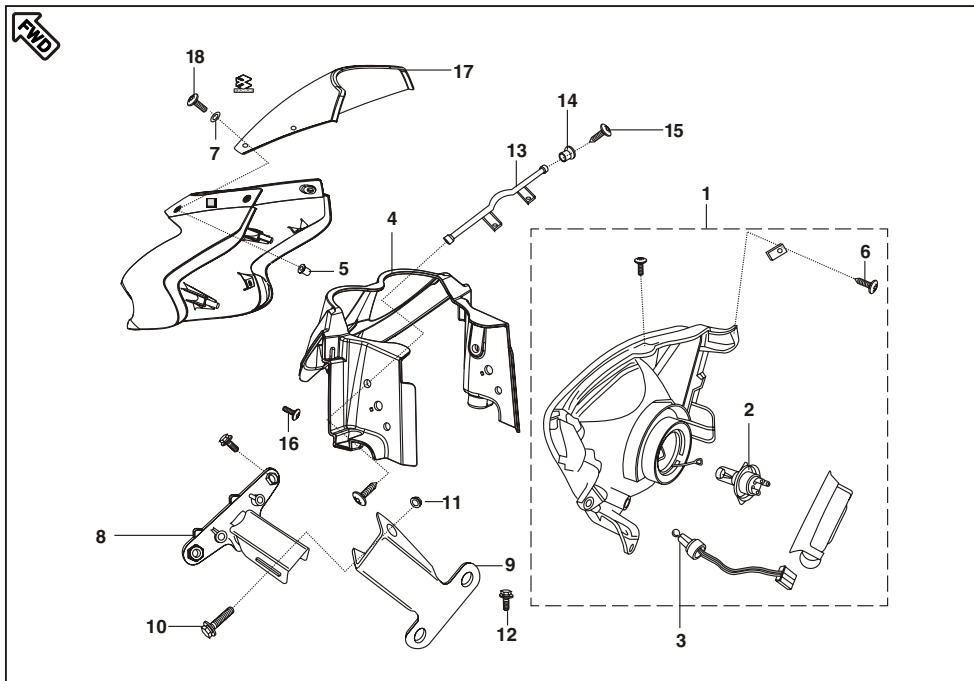
No.	Part No.	Description	Qty/ Veh.	Remarks
1	DG 1410 19	Damper	2	
2	DG 1611 18	Grommet	2	
3	DP 1610 77	Collars	1	
4	DG 1611 21	Screw	1	
5	31 1610 18	Damper	1	
6	DZ 1810 04	Lock set assly (3 in 1)	1	
7	39 1553 04	Flange Bolt	2	
8	DU 1410 27	Collar Assly.	2	
9	DP 1611 68	Damper - cover side	2	



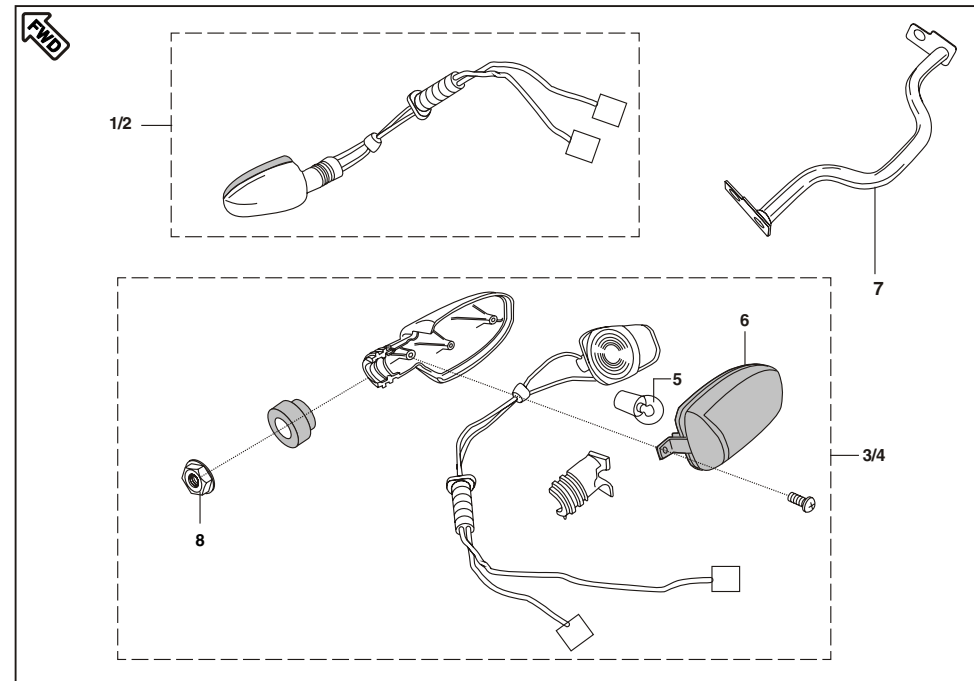
No.	Part No.	Description	Qty/ Veh.	Remarks	
1	DZ 1910 05	Speedometer Assly Lamp	1	Alt.DH191037	
2	DL 1910 20	Lamp 12V 3W (W/o Cap)	5		
3	DU 1910 21	Bracket Speedo Mtg.	1		
4	DU 1910 23	Cover Meter Lower Black	1		
	DZ 1910 25	Cover Meter Lower Black	1		
5	DZ 1910 09	Speedometer-Pricol	1		
	DZ 1910 24	Speedometer-Minda	1		
6	DZ 1910 10	Meter Fuel-Pricol	1		Pricol Minda
	DZ 1610 26	Meter Fuel-Minda	1		
7	DZ 1910 08	Cover case upper-Pricol	1		
	DZ 191027	Cover case upper-Minda	1		
8	DU 1910 24	Cover (white) W/o Support Plate	1		
	DZ 1910 28	Cover (white) W/o Support Plate	1		
	39 0798 15	Hex. Nut / Flange	2		
	39 1943 04	Bolt Flanged	2		



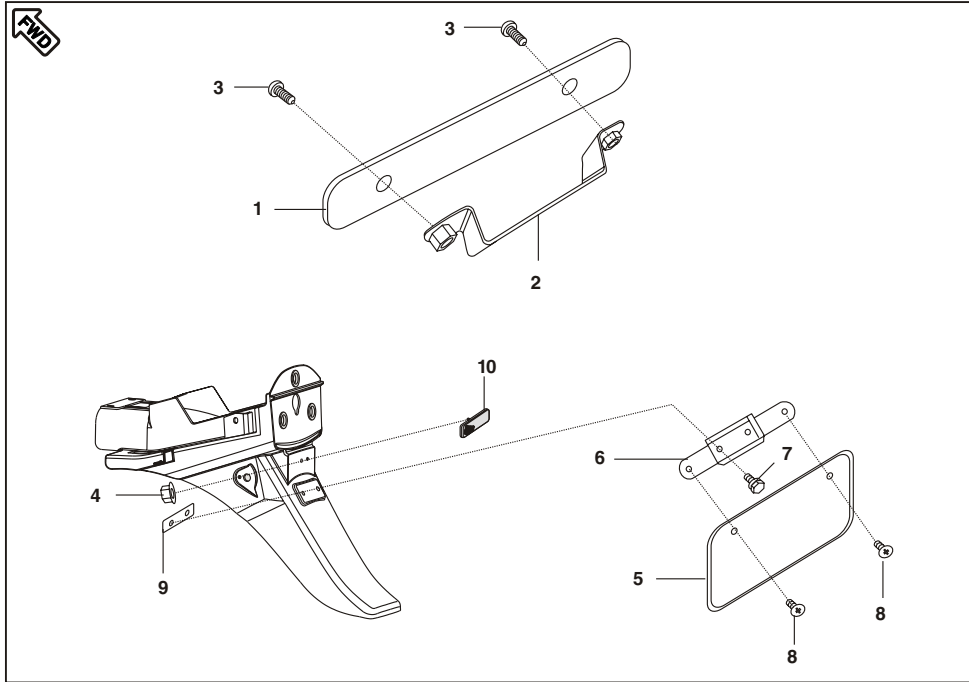
No.	Part No.	Description	Qty/ Veh.	Remarks
1	DU 1910 08	Cable Brake (FR)	1	Jk161202 For Black colour For alloy wheel New part
	DD 1910 19	Cable Brake (FR)	1	
	DZ 1910 13	Cable Brake (FR)	1	
2	30 1910 70	Spring	1	
3	30 1910 69	Dust Seal	1	
4	30 1910 71	Rod End	1	
5	30 1910 72	Adjusting Nut	1	
6	DU 1910 06	Cable Clutch	1	
7	DU 1910 13	Cable Speedometer	1	For alloy whee New part
	DD 1910 75	Cable Speedometer	1	
	DZ 1910 14	Cable Speedometer	1	
8	39 1910 03	Oil Seal	1	For alloy whee New part
	30 1910 67	Oil Seal	1	
9	31 1910 04	Inner Cable Speedo	1	New part
	DZ 1910 13	Inner Cable Speedo	1	
10	DU 1910 05	Cable Throttle	1	
11	DD 1911 25	Cable starter	1	
12	39 1516 21	'O' ring	1	New part
13	39 0840 01	Screw	2	New part



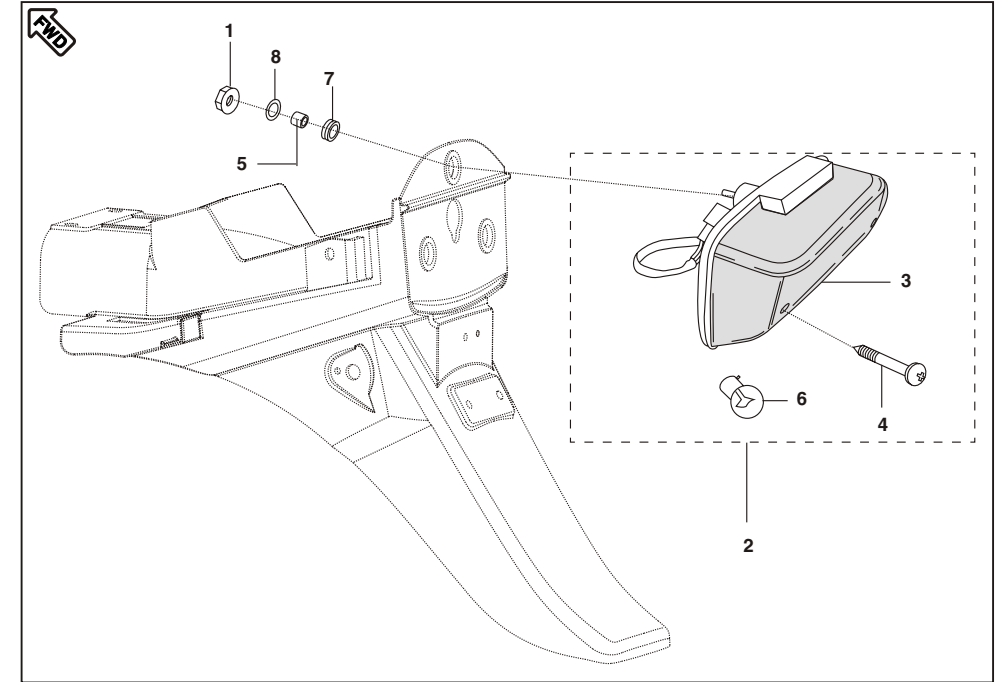
No.	Part No.	Description	Qty/ Veh.	Remarks
1	DU 2010 47	Head Light Assy./Lamp	1	
	DU 2010 48	Head Light Assy /with out lamp	1	
2	CL 2010 23	Lamp 12V-35/35W	1	
3	30 2010 29	Lamp 12V-4W	1	
4	DZ 1810 01	Flap Cowling	1	
5	DL 1810 10	Nut Well	4	
6	DL 1810 09	Screw	5	
7	39 2141 24	Washer (Non metallic)	9	
8	DD 1811 83	Bracket Cowling side	1	
9	DZ 1810 12	Bracket Fork side	1	
10	39 1942 04	Bolt Flanged Small	1	
11	39 0858 15	Hex. Nut / Flange	1	
12	39 1943 04	Hex. Bolt/ Flange	2	
13	DZ 1810 03	Bracket Cowling Upper	1	
14	DP 1810 40	Collar	2	
15	39 2585 01	Screw	2	
16	39 0813 02	Cross Rec.Pan Hd. Tp Screw	4	
17	DP 1810 63	Wind Shield/Label	1	
18	DL 1810 09	Screw SS	4	



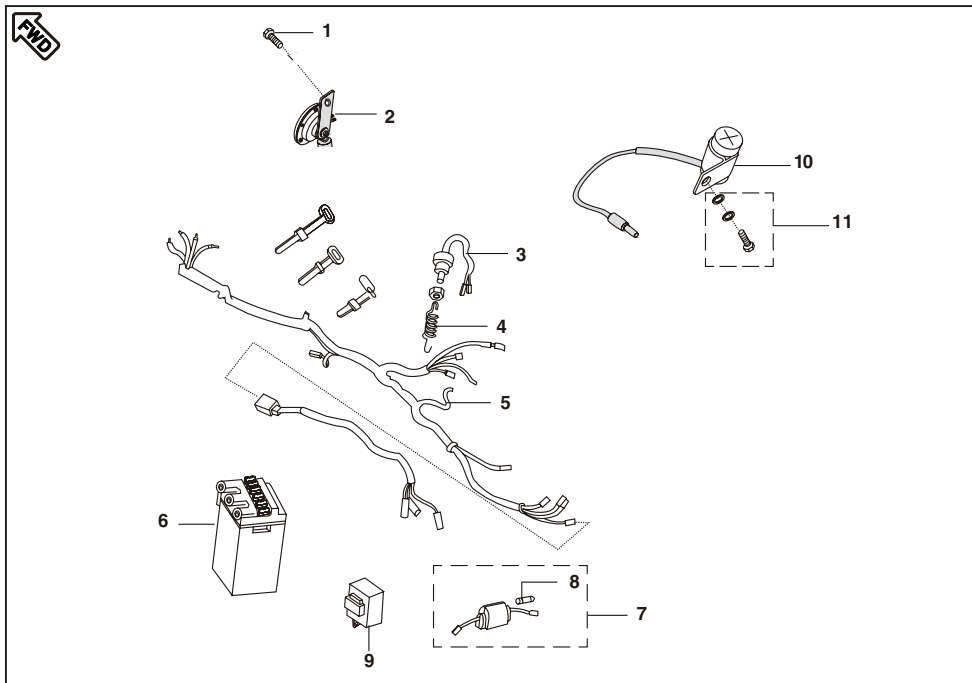
No.	Part No.	Description	Qty/ Veh.	Remarks
1	DZ 2010 11	Dir. ind. Front LH with Lamp	1	
	DZ 2010 05	Dir. ind. Front LH with Lamp	1	For alloy wheel
	JK 4010 09	Dir. ind. Front LH with Lamp	1	From Feb 2010
2	DZ 2010 12	Dir. ind. Front RH with Lamp	1	
	DZ 2010 06	Dir. ind. Front RH with Lamp	1	For alloy wheel
	JK 4010 10	Dir. ind. Front RH with Lamp	1	From Feb 2010
3	DZ 2010 13	Dir. ind. Rear LH with Lamp	1	
	DZ 2010 07	Dir. ind. Rear LH with Lamp	1	For alloy wheel
	JK 4010 07	Dir. ind. Rear LH with Lamp	1	From Feb 2010
4	DZ 2010 14	Dir. ind. Rear RH with Lamp	1	
	DZ 2010 08	Dir. ind. Rear RH with Lamp	1	For alloy wheel
	JK 4010 08	Dir. ind. Rear RH with Lamp	1	From Feb 2010
5	06 2010 83	Lamp 12 V 10 W	4	
	GH 2020 12	Lamp 12 V 10 W	4	For alloy wheel
6	DZ 2010 09	Lens	4	
	DZ 2010 10	Lens	4	
7	DZ 1810 02	Bracket Signal	1	From Feb 2010-DZ181063
8	39 1970 15	Hex. Nut	2	From Feb 2010-39122515



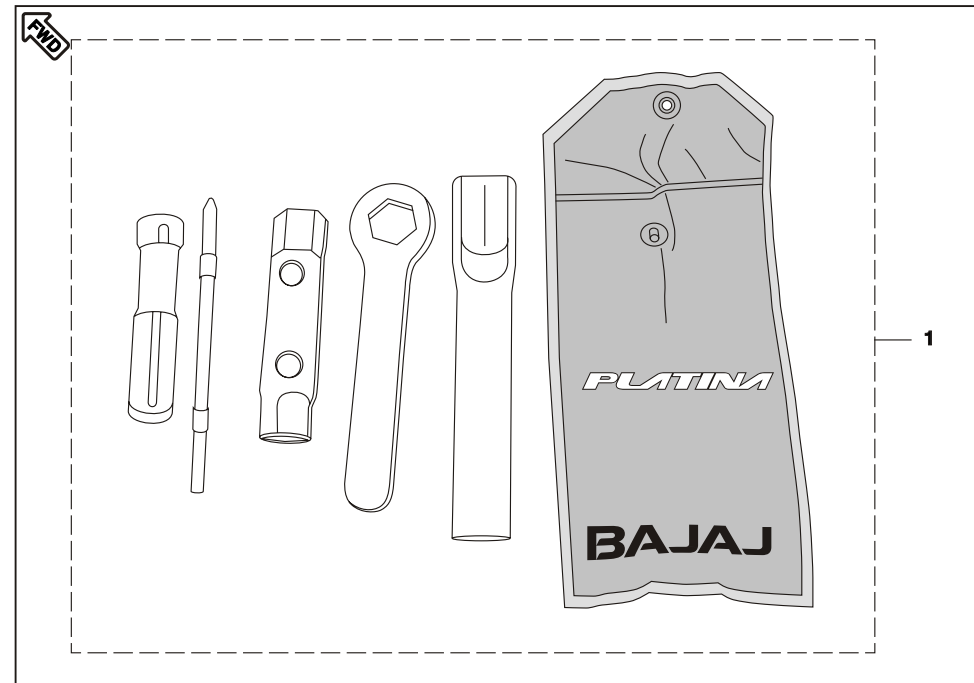
No.	Part No.	Description	Qty/ Veh.	Remarks
1	DP 1611 44	Front Number plate	1	
2	DP 1810 21	Bracket Front No. Plate	1	
3	39 1783 01	Truss Screw	2	
4	39 1972 15	Flanged Nut	1	
5	DP 1611 45	Number plate Rear	1	
6	DP 1611 01	Bracket No. Plate	1	
7	39 2483 04	Hex head bolt / Flange	2	
8	39 2407 01	Truss Screw	2	
9	DP 1611 00	Bracket Fender Rear	1	
10	DD 2010 02	Reflector Reflex	1	



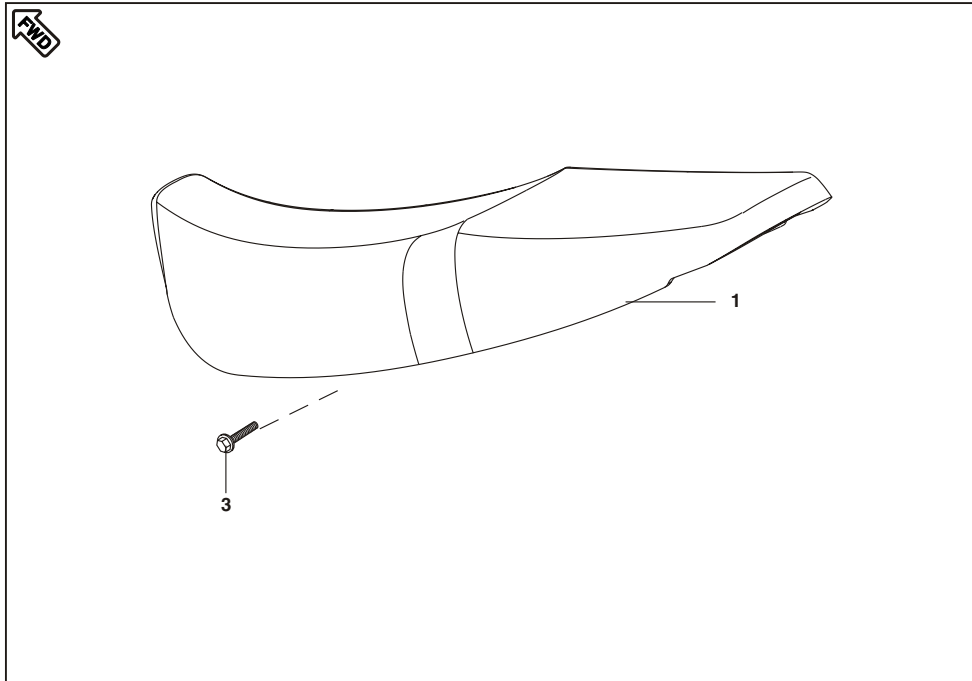
No.	Part No.	Description	Qty/ Veh.	Remarks
1	39 0817 15	Hex Nut / Flange	3	
2	DP 2010 30	Tail Light Assly. with lamp	1	
3	DP 2010 19	Lens Tail Light	1	
4	DD 2010 34	Screw For Lens	2	
5	DU 1410 27	Collar	3	
6	20 2010 29	Lamp 12 V, 21/5W	1	
	31 2010 28	Lamp 10/5W	1	
7	DD 2010 11	Damper	3	
8	DD 2010 44	Plain Washer	3	



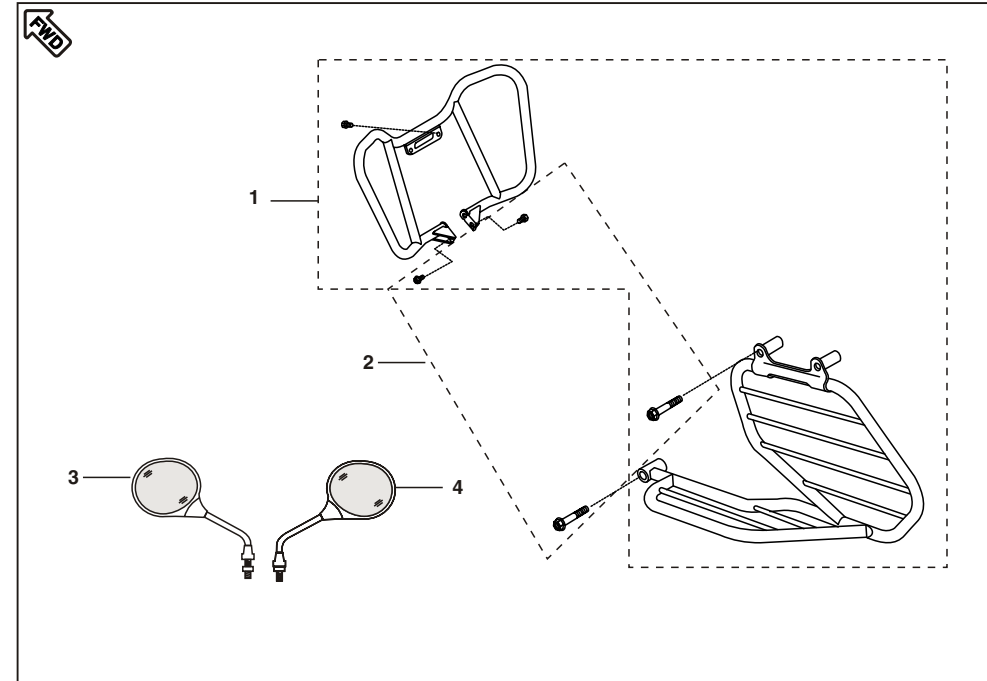
No.	Part No.	Description	Qty/ Veh.	Remarks
1	39 1940 04	Flanged Bolt	1	
2	DF 2012 52	Horn	1	
3	31 2010 79	Switch Rear Brake	1	
4	30 2010 74	Spring Brake Switch	1	
5	DZ 2010 01	Wiring Harness	1	
	DZ 2010 39	Wiring Harness	1	From Feb 2010
6	31 2010 27	Battery	1	N.S.
7	DF 2011 29	Fuse - Assly.	1	
8	30 2010 85	Fuse, 15A	1	
9	DS 2010 25	Relay assly. DC flasher	1	
10	DU 2010 63	Capacitor Electrolytic	1	
11	39 1551 04	Hex Head Bolt / Flange	1	
12	DP 1611 82	Band Battery	1	N.I.



No.	Part No.	Description	Qty/ Veh.	Remarks
1	DZ 2210 05	Tool Kit	1	
*	DZ 2210 06	Tool Kit	1	For alloy wheel
*	DF 2210 47	Tool Wrench 17 A/F	1	} Not Serviceable
*	DF 2210 43	Tool Driver	1	
*	DF 2210 48	Box Spanner 16 x 14	1	
*	DZ 2210 04	Tool Bag	1	
*	DF 2210 49	Tool bar	1	
*	DD 2210 31	Tool wrench	1	For alloy wheel



No.	Part No.	Description	Qty/ Veh.	Remarks
1	DZ 2110 01	Seat assly comp. with Damper	1	JK191003- New
2	DP 2110 09	Damper	9	N.I.
3	39 0743 01	Screw	1	



No.	Part No.	Description	Qty/ Veh.	Remarks
1	36 DZ00 05	Kit Leg / Saree guard	1	
	36 JK00 36	Kit Leg / Saree guard	1	Black
2	36 DZ00 06	Kit hardware Leg / Saree guard	1	
3	DJ 2210 03	Mirror Assly LH	1	
4	DJ 2210 04	Mirror Assly RH	1	
5	39 2205 04	Flange Bolt M8	2	For Black Colour
6	JK 2312 04	Socket Head Bolt	1	For Black Colour

KIT LIST FOR PLATINA



Sr. No.	Kit Part No.	Kit Description	Consisting of Following Parts		
			Part No.	Description	Qty./Kit
1	36DU1001	O Ring Kit	39102021	O Ring	2
			39256921	O Ring	1
2	36311008	Collet Seal Oil Kit	31101019	Collet	4
			39103519	Oil Seal	2
			31101045	Seat Spring	2
3	36311028	Valve Kit	DD101134	Valve Intake	1
			DD101135	Valve Exhaust	1
4	36311006	Chain Guide Kit	31101026	Guide Chain RH	1
			31101025	Guide Chain LH	1
5	36DU1004	Gear Lever Spring Kit	31101055	Spring	1
			31101054	Spring	1
			DU101084	Spring	1
6	36DU1007	Boss Kick Kit	30101233	Boss Kick	1
			30101234	Spring	1
			30101236	Ball Steel	1
			30101235	Pin	1
			39085517	E - Type Circlip	1
7	36 DS18 02	Bearing Cone kit	DH181025	Bearing Cone	1
			DH181026	Bearing race	1
			DH181024	Upper Bearing Race	1
8	36DF1701	Rubber - Inner Bush Kit	30171030	Rubber Bush	4
			30171031	Inner Bush	4
9	36DZ0007	Gear Meter Screw Kit	31151064	Speedo Gear (22T)	1
			30151041	Gear Meter Screw	1
10	36DZ0008	Gear Meter Screw Kit (for alloy wheel)	DL151014	Speedo Gear (22T)	1
			30151041	Gear Meter Screw	1
11	36DZ0002	Chain Sprocket Kit	DD151068	Chain	1
			DU151027	Sprocket	1
			DX101052	Sprocket O/P	1
12	36DU1506	Rear Wheel Bearing Kit	39268220	Ball Bearing (6301RS1/C3)	1
			39136420	Ball Bearing (6201RS1/C3)	1
13	36DU1901	Cable Adjuster Kit	30191017	Nut	2
			DD191147	Screw	2
14	36DU1202	Idling Screw Kit	DU121024	Screw Idling (Stop Screw)	1
			DD121176	Spring - Idling Screw	1
15	DZ 1210 15	Air Control Screw Kit	DU121025	Screw - Air (Adjust)	1
			DD121178	Spring - Screw Air	1
16	36DU1204	Gasket O ring Kit for Carb.	DD121170	Gasket - Float Chamber	1
			DU121023	Gasket Top	1

KIT LIST FOR PLATINA



Sr. No.	Kit Part No.	Kit Description	Consisting of Following Parts		
			Part No.	Description	Qty./Kit
17	36DU1205	Carburettor Float Pin Kit	DD121168	Valve complete Float	1
			DU121015	Float Complete	1
18	DZ 1210 18	Carburettor Holder/Jet Kit	DU121018	Needle Jet	1
			DZ121010	Holder - Needle Jet	1
			DZ121008	Main Jet	1
			DU121014	Slow Jet complete	1
			DU121021	Spring - Valve throttle	1
19	36DZ0003	Decal Set - Cocktail Wine Red	DZ141007	Tank Decal - LH	1
			DZ141008	Tank Decal - RH	1
			DZ161049	Cover Side Decal - LH	1
			DZ161050	Cover Side Decal - RH	1
			DZ181010	Cover Seat Decal - LH	1
			DZ181011	Cover Seat Decal - RH	1
20	36DZ0004	Decal Set - Long Beach Blue	DZ141005	Tank Decal - LH	1
			DZ141006	Tank Decal - RH	1
			DZ161047	Cover Side Decal - LH	1
			DZ161048	Cover Side Decal - RH	1
			DZ181008	Cover Seat Decal - LH	1
			DZ181009	Cover Seat Decal - RH	1
21	36DZ0001	Case Chain Kit	DZ161023	Upper Assly.	1
			DZ161027	Lower Assly.	1
22	36DZ0009	Case Chain Kit	DZ161058	Upper Assly.	1
			DZ161059	Lower Assly.	1

KIT LIST FOR PLATINA



Part No.	Figure No.	Page No.
01 1006 10	2	5
01 1701 10	11	9
01 1701 11	7	9
01 1701 11	13	10
06 2010 83	5	53
14 1510 21	4	31
14 1510 21	5	29
15 1510 61	13	23
15 1510 62	16	24
16 1510 66	3	27
20 2010 29	6	55
22 1502 41	3	15
22 1504 51	18	25
28 1011 07	16	5
28 1011 95	2	14
28 1012 14	9	14
30 1010 15	12	10
30 1010 96	7	14
30 1011 42	6	13
30 1011 54	4	15
30 1410 15	15	10
30 1410 28	10	46
30 1410 31	4	46
30 1410 32	11	46
30 1410 32	17	47
30 1410 39	6	46
30 1410 52	2	46
30 1510 04	23	32
30 1510 05	2	33
30 1510 05	2	35
30 1510 32	2	31
30 1510 33	4	31
30 1510 37	25	30
30 1510 38	21	32
30 1510 38	21	36

Part No.	Figure No.	Page No.
30 1510 38	22	30
30 1510 38	22	34
30 1510 42	11	31
30 1510 42	12	29
30 1510 68	25	32
30 1510 69	13	35
30 1510 69	14	33
30 1510 69	24	32
30 1510 95	14	37
30 1511 18	13	32
30 1511 18	14	29
30 1511 19	9	31
30 1511 19	10	29
30 1511 22	5	31
30 1611 57	9	25
30 1611 58	2	25
30 1710 23	13	23
30 1710 24	16	24
30 18 1006	6	22
30 1810 18	6	40
30 1810 23	18	41
30 1810 25	5	40
30 1810 26	4	40
30 1810 29	11	40
30 1810 44	10	40
30 1910 31	7	37
30 1910 35	8	37
30 1910 36	13	37
30 1910 37	12	37
30 1910 38	4	37
30 1910 67	8	51
30 1910 69	3	51
30 1910 70	2	51
30 1910 71	4	51
30 1910 72	5	51

KIT LIST FOR PLATINA



Part No.	Figure No.	Page No.
30 2010 29	3	52
30 2010 74	4	56
30 2010 85	8	56
31 1010 06	2	1
31 1010 07	10	1
31 1010 08	4	1
31 1010 14	2	18
31 1010 18	6	2
31 1010 33	6	3
31 1010 35	17	5
31 1010 38	11	15
31 1010 39	16	15
31 1010 40	9	15
31 1010 41	8	15
31 1010 51	2	7
31 1010 56	8	10
31 1010 60	4	12
31 1010 62	9	12
31 1010 67	4	13
31 1011 04	4	2
31 1011 08	10	8
31 1011 09	11	8
31 1011 13	5	12
31 1011 48	13	14
31 1011 73	4	5
31 1011 75	16	1
31 1011 91	1	7
31 1011 92	5	7
31 1012 95	3	12
31 1110 56	16	21
31 1110 58	9	20
31 1510 04	2	31
31 1510 04	3	29
31 1510 07	15	33
31 1510 07	25	32

Part No.	Figure No.	Page No.
31 1510 08	14	35
31 1510 11	23	32
31 1510 11	24	30
31 1510 14	16	32
31 1510 14	17	30
31 1510 18	11	33
31 1510 18	11	35
31 1510 21	12	33
31 1510 21	12	35
31 1510 23	15	35
31 1510 23	16	34
31 1510 24	17	34
31 1510 29	9	33
31 1510 29	9	35
31 1510 37	24	36
31 1510 37	25	34
31 1510 39	23	30
31 1510 60	26	30
31 1610 18	5	49
31 1910 02	2	22
31 1910 04	9	51
31 2010 27	6	56
31 2010 28	6	55
31 2010 79	3	56
31 2010 81	9	10
36 3110 06	1	3
36 3110 08	8	2
36 3110 28	9	2
36 DF17 01	12	23
36 Ds15 02	13	29
36 DS18 02	5	22
36 DS18 02	20	41
36 DU10 01	9	1
36 Du10 04	3	8
36 DU10 07	2	15

KIT LIST FOR PLATINA



Part No.	Figure No.	Page No.
36 DU12 02	7	16
36 DU12 04	5	16
36 DU12 05	6	16
36 DU15 06	10	33
36 DU15 06	10	35
36 DU19 01	16	39
36 DZ00 01	1	48
36 DZ00 02	3	33
36 DZ00 02	3	35
36 DZ00 02	12	6
36 DZ00 03	2	43
36 DZ00 04	2	43
36 DZ00 05	1	59
36 DZ00 06	2	59
36 DZ00 07	13	29
36 DZ00 08	12	32
36 DZ00 09	1	48
36 DZ00 10	2	43
36 DZ00 14	2	43
36 DZ00 15	2	43
36 DZ00 16	2	43
36 DZ00 18	2	43
36 DZ00 19	2	43
36 DZ00 20	1	40
39 0197 11	8	18
39 0198 11	2	37
39 0198 11	25	39
39 02 4811	7	29
39 0248 11	6	31
39 0248 11	12	9
39 0292 15	15	24
39 0422 15	4	25
39 0454 11	7	23
39 0553 02	8	23
39 0702 01	5	2

Part No.	Figure No.	Page No.
39 0702 01	7	10
39 0703 11	10	10
39 0708 15	10	37
39 0711 11	14	24
39 0712 15	9	23
39 0714 11	11	23
39 0714 11	19	36
39 0714 11	20	34
39 0725 04	24	39
39 0737 12	10	23
39 0738 17	14	15
39 0743 01	3	58
39 0745 01	14	20
39 0746 01	5	8
39 0748 01	10	3
39 0753 01	5	19
39 0761 01	3	46
39 0775 04	19	32
39 0775 04	20	30
39 0781 11	3	23
39 0787 08	11	25
39 0787 08	25	36
39 0787 08	26	34
39 0789 12	11	37
39 0789 12	15	40
39 0790 12	9	18
39 0794 15	8	33
39 0797 08	6	37
39 0798 15	9	50
39 0798 15	17	32
39 0798 15	18	30
39 0798 15	23	36
39 0798 15	24	34
39 0798 15	24	34
39 0798 15	26	36
39 0798 15	27	34

KIT LIST FOR PLATINA



Part No.	Figure No.	Page No.
39 0801 15	8	35
39 0807 08	9	37
39 0807 08	25	36
39 0808 08	1	37
39 0813 02	16	52
39 0817 15	1	55
39 0840 01	13	51
39 0840 01	14	32
39 0840 01	15	29
39 0841 01	27	30
39 0858 15	11	52
39 0900 12	15	32
39 0900 12	16	30
39 0939 15	5	23
39 0978 04	7	33
39 0980 04	10	14
39 0985 17	4	4
39 0987 17	4	6
39 0988 15	1	33
39 0988 15	1	35
39 0992 06	6	7
39 0993 11	10	15
39 0995 11	13	15
39 0999 06	2	19
39 0999 06	3	13
39 0999 06	6	9
39 0999 06	8	12
39 0999 06	11	3
39 1000 06	6	4
39 1000 06	12	1
39 1003 20	5	20
39 1008 20	6	10
39 1013 21	3	19
39 1013 21	10	31
39 1013 21	11	29

Part No.	Figure No.	Page No.
39 1017 21	14	1
39 1019 21	2	12
39 1021 21	5	1
39 1023 04	3	11
39 1028 21	6	20
39 1041 19	5	13
39 1042 19	4	20
39 1043 19	4	10
39 1050 06	2	10
39 1053 15	11	14
39 1055 15	3	5
39 1056 04	4	9
39 1062 04	4	11
39 1062 04	15	16
39 1066 04	3	10
39 1068 04	3	9
39 1074 04	3	38
39 1074 04	7	12
39 1075 04	10	13
39 1075 04	11	10
39 1078 01	4	19
39 1080 19	5	10
39 1184 15	9	38
39 1225 15	14	9
39 1283 21	3	16
39 1516 21	12	51
39 1516 64	21	32
39 1551 04	4	48
39 1551 04	7	22
39 1551 04	11	56
39 1553 04	7	49
39 1553 04	10	20
39 1659 11	7	20
39 1673 04	3	1
39 1675 04	9	16

KIT LIST FOR PLATINA



Part No.	Figure No.	Page No.
39 1680 04	6	17
39 1699 01	8	5
39 1783 01	3	54
39 1790 21	14	3
39 1813 04	16	41
39 1864 20	5	9
39 1910 03	8	51
39 1940 04	1	56
39 1942 04	10	52
39 1943 04	10	50
39 1943 04	12	52
39 1959 04	8	3
39 1970 15	8	53
39 1972 15	4	54
39 1981 04	15	6
39 1994 04	2	8
39 2040 21	2	3
39 2134 21	8	13
39 2141 24	7	52
39 2147 04	10	12
39 2199 08	14	5
39 2200 11	12	5
39 2222 04	4	26
39 2222 04	8	22
39 2240 20	4	33
39 2240 20	4	35
39 2249 15	23	39
39 2345 01	10	18
39 2403 20	12	14
39 2407 01	8	54
39 2474 04	8	8
39 2475 04	3	48
39 2481 04	7	25
39 2481 04	16	25
39 2483 04	7	54

Part No.	Figure No.	Page No.
39 2484 15	16	47
39 2585 01	15	52
39 2600 11	3	14
39 2675 04	14	18
39 2680 20	1	29
39 2680 20	1	31
39 2681 20	3	31
39 2681 20	4	29
39 2688 20	1	31
39 2702 04	9	22
39 2704 11	12	8
39 2758 21	4	46
52 DU01 04	1	8
52 DU02 40	17	1
52 DU02 49	3	12
52 DZ00 07	1	17
52 DZ00 15	7	45
52 DZ00 16	7	45
52 DZ00 19	1	10
52 DZ00 30	7	45
52 DZ00 61	7	45
52 DZ00 62	7	45
52 DZ03 59	7	45
59 0400 17	17	22
59 0400 18	10	22
59 1500 03	7	31
59 1500 03	21	34
59 2479 15	11	22
CL 2010 23	2	52
CM 1011 28	12	18
CM 1011 29	11	18
DD 1010 07	3	4
DD 1010 14	2	4
DD 1010 58	6	12
DD 1010 60	9	13

KIT LIST FOR PLATINA



Part No.	Figure No.	Page No.
DD 1010 62	9	3
DD 1011 06	7	8
DD 1012 19	14	10
DD 1012 54	7	15
DD 1012 64	6	15
DD 1012 75	10	9
DD 1013 09	10	6
DD 1013 18	15	20
DD 1013 25	7	13
DD 1013 43	13	1
DD 1013 47	6	1
DD 1013 49	8	1
DD 1013 50	7	1
DD 1013 51	11	1
DD 1013 66	4	18
DD 1014 40	7	2
DD 1014 75	16	6
DD 1014 80	6	14
DD 1014 81	15	1
DD 1014 92	5	14
DD 1014 93	8	14
DD 1015 17	2	11
DD 1015 21	18	1
DD 1110 11	17	21
DD 1110 12	18	21
DD 1110 12	18	21
DD 1110 18	12	20
DD 1110 48	2	20
DD 1211 71	11	16
DD 1412 27	7	46
DD 1510 08	18	32
DD 1510 08	19	30
DD 1510 09	20	32
DD 1510 09	21	30
DD 1510 13	22	32

Part No.	Figure No.	Page No.
DD 1610 53	15	22
DD 1610 78	16	37
DD 1810 10	2	40
DD 1810 14	3	40
DD 1810 67	2	40
DD 1810 69	3	40
DD 1811 05	2	40
DD 1811 05	3	40
DD 1811 83	8	52
DD 1812 05	13	40
DD 1812 07	14	40
DD 1910 19	1	51
DD 1910 75	7	51
DD 1911 25	11	51
DD 1911 41	11	38
DD 1911 42	12	38
DD 1911 43	26	39
DD 1911 44	15	38
DD 2010 02	10	54
DD 2010 11	7	55
DD 2010 34	4	55
DD 2010 44	8	55
DD 2011 55	5	38
DD 2011 70	13	38
DD 2210 31	1	57
DD 7001 3N	1	10
DD 7002 3N	7	3
DD 7004 3N	10	1
DD 7005 3N	2	1
DE 1810 31	8	40
DF 1010 55	2	2
DF 1110 15	1	20
DF 1110 17	1	20
DF 1110 20	3	20
DF 1110 40	13	20

KIT LIST FOR PLATINA



Part No.	Figure No.	Page No.
DF 1210 03	1	19
DF 1510 03	2	29
DF 1611 02	3	25
DF 1611 68	16	22
DF 1614 13	5	25
DF 1614 16	2	48
DF 1614 25	6	25
DF 1810 52	4	22
DF 1810 85	12	40
DF 1810 90	3	22
DF 1810 91	19	39
DF 1810 92	20	39
DF 2011 29	7	56
DF 2012 52	2	56
DF 2210 43	1	57
DF 2210 47	1	57
DF 2210 48	1	57
DF 2210 49	1	57
DG 1014 98	9	9
DG 1210 15	9	17
DG 1410 19	1	49
DG 1611 18	2	49
DG 1611 21	4	49
DG 1611 24	12	25
DG 1611 66	2	17
DH 1010 66	13	5
DH 1010 67	15	5
DH 1011 95	9	5
DH 1014 30	5	4
DH 1016 07	6	18
DH 1211 01	13	16
DH 1211 02	14	16
DH 1611 78	17	25
DH 1611 94	8	25
DH 1710 19	20	36

Part No.	Figure No.	Page No.
DJ 1610 68	5	26
DJ 2210 03	3	59
DJ 2210 04	4	59
DL 1610 48	1	25
DL 1810 09	6	52
DL 1810 09	18	52
DL 1810 10	5	52
DL 1910 12	6	38
DL 1910 13	7	38
DL 1910 14	8	38
DL 1910 20	2	50
DM 1010 98	4	7
DM 1010 99	8	7
DM 1011 15	11	6
DM 1011 39	6	12
DM 1011 40	9	13
DM 1210 04	11	17
DM 1210 07	10	17
DM 1510 29	1	27
DM 1710 25	17	24
DM 1810 36	7	40
DP 1011 55	13	6
DP 1011 68	14	6
DP 1013 40	7	7
DP 1014 52	8	9
DP 1210 07	5	17
DP 1210 22	8	17
DP 1210 25	13	46
DP 1210 34	4	17
DP 1510 07	15	37
DP 1510 18	5	15
DP 1610 06	2	26
DP 1610 07	1	26
DP 1610 77	3	49
DP 1610 94	3	26

KIT LIST FOR PLATINA



Part No.	Figure No.	Page No.
DP 1610 94	7	17
DP 1611 00	9	54
DP 1611 01	6	54
DP 1611 44	1	54
DP 1611 45	5	54
DP 1611 82	12	56
DP 1611 68	9	49
DP 1710 06	4	23
DP 1810 13	6	26
DP 1810 21	2	54
DP 1810 40	14	52
DP 1810 63	17	52
DP 1910 02	3	37
DP 2010 19	3	55
DP 2010 30	2	55
DP 2110 09	2	58
DP 2210 01	13	22
DS 1410 09	1	46
DS 1510 29	6	28
DS 1510 31	5	28
DS 1510 48	3	28
DS 1510 48	6	27
DS 1510 49	4	28
DS 1510 49	7	27
DS 1510 53	8	27
DS 1510 66	1	28
DS 1510 69	16	36
DS 1611 25	5	26
DS 2010 25	9	56
DU 1010 05	1	5
DU 1010 10	11	5
DU 1010 11	6	6
DU 1010 38	12	15
DU 1010 41	7	5
DU 1010 45	15	15

Part No.	Figure No.	Page No.
DU 1010 50	1	15
DU 1010 56	4	3
DU 1010 57	2	16
DU 1010 66	12	3
DU 1010 67	13	3
DU 1010 73	6	8
DU 1010 74	4	8
DU 1010 75	2	9
DU 1010 78	5	3
DU 1010 80	7	6
DU 1010 81	3	7
DU 1010 83	9	7
DU 1010 85	13	9
DU 1010 92	13	8
DU 1010 96	3	3
DU 1011 09	4	14
DU 1011 85	9	8
DU 1011 90	3	2
DU 1011 91	1	2
DU 1012 06	3	18
DU 1012 18	1	4
DU 1012 20	1	9
DU 1210 05	1	11
DU 1410 27	5	55
DU 1410 27	8	49
DU 1410 41	8	46
DU 1410 62	15	47
DU 1510 05	5	31
DU 1510 05	6	29
DU 1510 09	13	33
DU 1510 10	6	33
DU 1510 10	6	35
DU 1510 18	2	27
DU 1510 25	4	27
DU 1510 26	5	27

KIT LIST FOR PLATINA



Part No.	Figure No.	Page No.
DU 1510 31	7	31
DU 1610 32	10	25
DU 1610 93	14	22
DU 1610 94	14	22
DU 1810 21	1	38
DU 1810 67	19	41
DU 1910 03	14	38
DU 1910 05	10	51
DU 1910 06	6	51
DU 1910 08	1	51
DU 1910 09	10	38
DU 1910 13	7	51
DU 1910 21	3	50
DU 1910 23	4	50
DU 1910 24	8	50
DU 2010 18	4	38
DU 2010 46	17	39
DU 2010 47	1	52
DU 2010 48	1	52
DU 2010 62	11	20
DU 2010 63	10	56
DU 7001 3N	2	9
DU 7002 3N	1	1
DU 7003 3N	1	13
DX 1010 30	11	13
DX 1010 35	14	14
DX 1010 45	2	6
DX 1010 46	1	6
DX 1010 47	5	5
DX 1010 48	3	6
DX 1010 49	5	6
DX 1010 50	9	6
DX 1010 51	8	6
DX 1010 53	10	5
DX 1010 54	1	14

Part No.	Figure No.	Page No.
DX 1110 02	8	20
DX 1510 20	2	28
DX 1510 25	12	35
DX 1510 81	27	36
DX 1610 56	13	25
DZ 1010 01	1	12
DZ 1010 27	1	18
DZ 1010 31	5	18
DZ 1010 34	12	46
DZ 1010 44	7	18
DZ 1010 45	13	18
DZ 1010 46	2	13
DZ 1010 47	1	13
DZ 1010 51	1	18
DZ 1110 02	8	20
DZ 1110 03	1	20
DZ 1210 03	3	17
DZ 1210 06	1	16
DZ 1210 11	12	16
DZ 1210 13	10	16
DZ 1210 15	8	16
DZ 1210 18	4	16
DZ 1410 04	5	46
DZ 1410 11	1	46
DZ 1410 40	19	47
DZ 1410 75	18	47
DZ 1510 02	5	33
DZ 1510 02	5	35
DZ 1510 03	23	34
DZ 1510 04	18	36
DZ 1510 04	19	34
DZ 1510 09	15	37
DZ 1510 10	18	34
DZ 1510 12	9	29
DZ 1510 14	8	31

KIT LIST FOR PLATINA



Part No.	Figure No.	Page No.
DZ 1510 16	16	36
DZ 1510 18	7	35
DZ 1510 19	5	35
DZ 1510 20	18	36
DZ 1510 20	22	36
DZ 1510 21	17	36
DZ 1510 27	22	32
DZ 1510 30	22	32
DZ 1510 38	18	34
DZ 1510 40	8	29
DZ 1610 26	6	50
DZ 1610 33	14	25
DZ 1610 34	15	25
DZ 1610 54	1	22
DZ 1710 01	1	23
DZ 1710 07	2	23
DZ 1710 09	6	23
DZ 1710 15	1	23
DZ 1710 16	17	24
DZ 1810 01	4	52
DZ 1810 02	7	53
DZ 1810 03	13	52
DZ 1810 04	6	49
DZ 1810 04	14	46
DZ 1810 12	9	52
DZ 1810 13	19	41
DZ 1910 01	3	37
DZ 1910 04	5	37
DZ 1910 05	1	50
DZ 1910 08	7	50
DZ 1910 09	5	50
DZ 1910 10	6	50
DZ 1910 13	1	51
DZ 1910 13	9	51
DZ 1910 14	7	51

Part No.	Figure No.	Page No.
DZ 1910 24	5	50
DZ 1910 25	4	50
DZ 1910 27	7	50
DZ 1910 28	8	50
DZ 2010 01	5	56
DZ 2010 02	9	46
DZ 2010 05	1	53
DZ 2010 06	2	53
DZ 2010 07	3	53
DZ 2010 08	4	53
DZ 2010 09	6	53
DZ 2010 10	6	53
DZ 2010 11	1	53
DZ 2010 12	2	53
DZ 2010 13	3	53
DZ 2010 14	4	53
DZ 2010 19	9	46
DZ 2010 39	5	56
DZ 2110 01	1	58
DZ 2210 02	12	22
DZ 2210 04	1	57
DZ 2210 05	1	57
DZ 2210 06	1	57
DZ 7101 2V	1	42
DZ 7101 3A	1	42
DZ 7101 3J	1	42
DZ 7101 3Q	1	42
DZ 7101 3S	1	42
DZ 7101 3U	1	42
DZ 7101 3V	1	42
DZ 7101 3W	1	42
DZ 7101 4G	1	43
DZ 7102 2V	1	42
DZ 7102 3A	1	42
DZ 7102 3Q	1	42

Part No.	Figure No.	Page No.
DZ 7102 3V	1	42
DZ 7102 3W	1	42
DZ 7102 4G	1	42
DZ 7105 2V	1	42
DZ 7105 3A	1	42
DZ 7105 3Q	1	42
DZ 7105 3V	1	42
DZ 7105 3W	1	42
DZ 7105 4G	1	43
DZ 7301 2V	3	43
DZ 7301 3A	3	43
DZ 7301 3J	3	43
DZ 7301 3Q	3	43
DZ 7301 3S	3	43
DZ 7301 3U	3	43
DZ 7301 3V	3	43
DZ 7302 2V	4	44
DZ 7302 3A	4	44
DZ 7302 3J	4	44
DZ 7302 3Q	4	44
DZ 7302 3S	4	44
DZ 7302 3U	4	44
DZ 7302 3V	4	44
DZ 7303 2V	5	44
DZ 7303 3A	5	44
DZ 7303 3Q	5	44
DZ 7303 3S	5	44
DZ 7303 3U	5	44
DZ 7303 3V	5	44
DZ 7303 3W	5	44
DZ 7303 4G	5	44
DZ 7401 2V	6	44
DZ 7401 3A	6	44
DZ 7401 3A	6	45
DZ 7401 3J	6	45

Part No.	Figure No.	Page No.
DZ 7401 3Q	6	44
DZ 7401 3S	6	45
DZ 7401 3U	6	45
DZ 7401 3V	6	45
DZ 7401 3W	6	45
DZ 7401 4G	6	45
FA 1013 34	6	5
FD 1810 12	9	40
FD 1810 19	21	39
FD 1810 20	22	39
FD 1810 30	2	38
FD 1810 31	18	39
GH 2020 12	5	53
JA 1312 05	16	36
JA 1316 06	9	31
JA 1316 07	18	32
JB 1310 01	1	28
JB 1312 01	2	28
JB 1312 03	2	28
JK 1310 01	1	28
JK 4010 07	3	53
JK 4010 08	4	53
JK 4010 09	1	53
JK 4010 10	2	53
JK 4014 02	4	38
JK 1210 14	19	41
JK 1220 02	16	24
JK 1220 04	13	23
JK 1310 01	1	28
JK 1310 21	1	28
JK 1310 23	8	31
JK 1312 02	5	35
JK 1318 06	22	32
JK 2312 04	6	59