

We have pleasure in presenting the Spare Parts Catalogue for 'Pulsar DTS-i 200cc' Motorcycle. This catalogue has been specially designed to assist you in selecting the correct parts for procurement to maintain 100% availability.

The Bajaj spares are subjected to the stringent quality control standards to ensure longer life of the vehicle. It is therefore necessary that only the Genuine Bajaj Spares are used.

In a continual effort to improve Performance and Efficiency of the vehicles, Specifications, Diagrams, Illustrations and Part Numbers can change without notice. Consequently, the description in this Spare Parts Catalogue cannot therefore be final and binding on us.

The modifications / alterations which are carried out after the issue of this catalogue, will be conveyed to you through our Service Circulars. You are requested to make necessary corrections in the Parts Catalogue as per the circulars so as to keep your catalogue up-to-date. This will ensure the appropriate and speedy delivery of the Spare Parts as the order placed will bear the latest part numbers.

In case, if you need any technical assistance contact the concerned Regional Office or write to us on the following address :

Bajaj Auto Limited
Service Department

Akurdi, Pune 411 035 India

Phone : 020-27406557

Fax : 020-27407385

E-mail : service@bajajauto.co.in

All information contained in this manual is based on the latest product information at the time of publication. Bajaj Auto Limited accepts no liability for any inaccuracies or omissions in this publication, although every possible care has been taken to make it as complete and accurate as possible. All procedures and specifications subject to change without prior notice. The right is reserved to make such changes at any time without prior notice and without incurring an obligation to make such changes to product manufactured previously. Contact your authorized Bajaj Dealer for the latest information on product improvements incorporated after this manual was issued.

DOC. NO.: 71110428

REV. 00, SEP. 08

- 1. How to Read the Catalogue :** Open the catalogue and from the pictorial index locate the group in which the part you want to find is present. Turn over to the concerned page number (as given by pictorial index). Now find out the figure of the part you wish to order. Write down the part number against that particular figure number from the text.

In case, if you have the part number and you need the other details, the part index can be used. The part index (at the end of the catalogue) will give you the figure and page number of the part you wish to order.

- 2. How to Order Spare Parts :** The part number and the description of the part required should be invariably mentioned in the order as per the catalogue text.

The latest part number as conveyed through our service circulars should only appear on the order. In case of ordering painted components, colour shade of the components should be mentioned.

The quantity shown against the part number is the quantity per vehicle for that group so that particular quantity should be multiplied by the number of sets required.

- 3. Part Number System:** We have used 8 digit system for part numbers. The model or hardware item is indicated by first two digits or alphanumeric, the next two or four digits indicate main group and the last four or two digits indicate serial number in main group or serial number or subgroup of fastener respectively. Thus the part numbers will be indicated by 2-2-4 or 2-4-2 digit system. Understanding this system will enable you to identify the spare parts easily.

- 4. Abbreviations :** The following abbreviations are used in this catalogue.

assly.	Assembly	V	Volts
N.I.	Not illustrated	W	Watts
C'case	Crankcase	accl.	Accelerator
Cyl	Cylinder	Comp.	Complete
o/s.	Over size	Fr	Front
Std.	Standard	L	Length
A/t.	Alternate	Rr	Rear
R.H.	Right hand	Hex.	Hexagonal
L.H.	Left hand	AR	As required

No.	Description	Page No.
1	Cover Cylinder Head	1
2	Cylinder Head	2
3	Valve	3
4	Camshaft / Tensioner	4
5	Cylinder & Piston	5
6	Crankshaft	6
7	Balancer & Balancer Idler Gear	7
8	Transmission	8 & 9
9	Change Drum/ Shift Fork	10
10	Gear Change Mechanism	11
11	Engine Assly & Crankcase RH	12
12	Crankcase LH	13&14
13	Cover RH	15&16
14	Cover Magneto	17
15	Clutch	18
16	Oil Cooler Assly.	19
17	Carburettor	20
18	Air Cleaner Comp.	21
19	Silencer Assly	22
20	Seat Assly. / Seat Lock	23
21	Oil Pump	24
22	Magneto/C.D.I./H.T.Coil	25&26
23	Starter Assly (For Self Start)	27
24	Engine Mountings	28
25	Frame & Frame fitting	29
26	Swing Arm / Rear Shock Absorber	30
27	Rider Foot rest	31
28	Pillion Foot rest / Holder	32
29	Mudguard Front & Rear	33
30	Stand Assembly	34
31	Tyre/ Tube /Rim	35
32	Front Hub	36
33	Front Master Cylinder	37
34	Front Disc Brake	38

No.	Description	Page No.
35	Rear Hub	39&40
36	Rear Brake Pedal	41
37	Handle Bar	42&43
38	Front Fork	44&45
39	Painted Parts & Decals	46,47,48
40	Petrol Cock, Cap Tank & Gauge Fuel	49
41	Fitting - Petrol Tank, Side Cover & Cover seat	50
42	Meter Assly.	51
43	Control Cables	52
44	Chain Case	53
45	Head Lamp & Fairing	54
46	Indicator Light Assly.	55
47	Tail Lamp Assly/Front & Rear No.Plate	56
48	Electrical Equipments	57
49	Tool Kit	58
50	Accessories / Grab Handle Kits List	59
	Amendment Sheet (Part Added)	60&61
	Amendment Sheet (Part Deleted)	62
	Part Index	63
		64

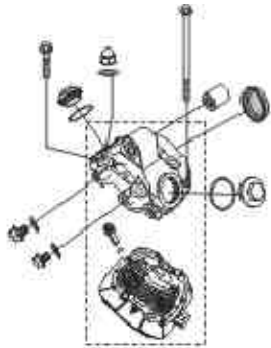
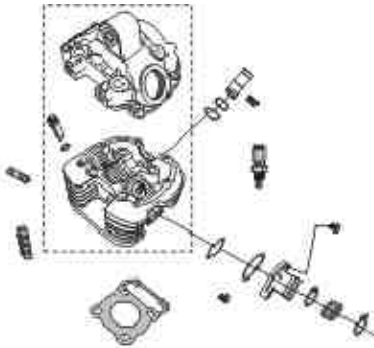
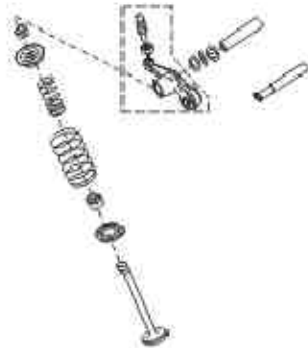
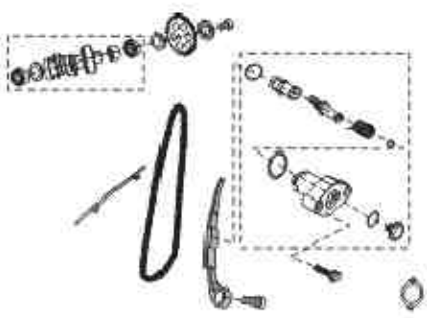
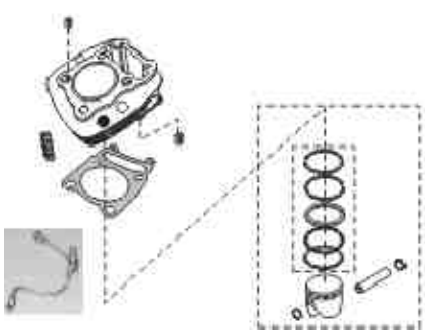
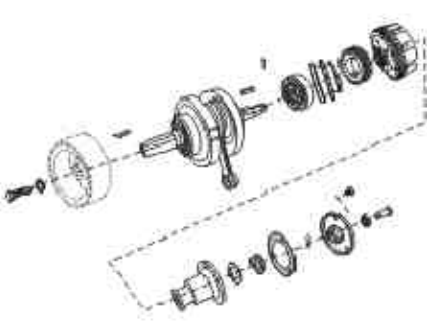
PLATE NO. : 1 COVER CYLINDER HEAD	PAGE NO.: 1	PLATE NO. : 2 CYLINDER HEAD	PAGE NO.: 2
			
PLATE NO. : 3 VALVE	PAGE NO.: 3	PLATE NO. : 4 CAMSHAFT / TENSIONER	PAGE NO.: 4
			
PLATE NO. : 5 CYLINDER AND PISTON	PAGE NO.: 5	PLATE NO. : 6 CRANK SHAFT	PAGE NO.: 6
			

PLATE NO. : 7	PAGE NO.:
BALANCER & BALANCER IDLER GEAR	7

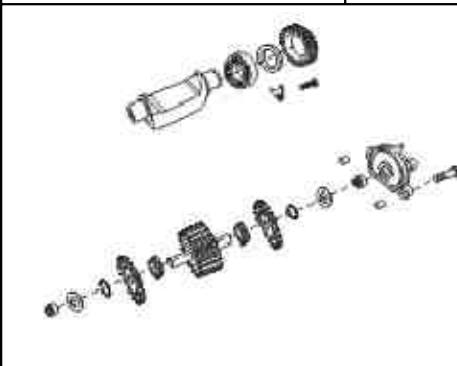


PLATE NO. : 9	PAGE NO.:
CHANGE DRUM / SHIFT FORK	10

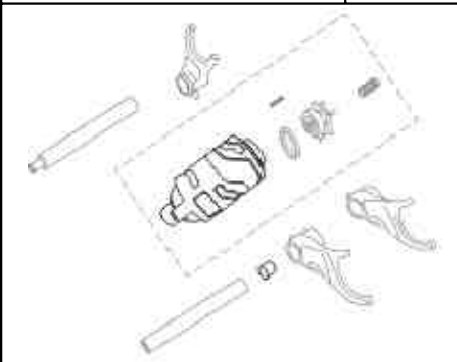


PLATE NO. : 11	PAGE NO.:
ENGINE ASSLY. & CRANKCASE RH	12

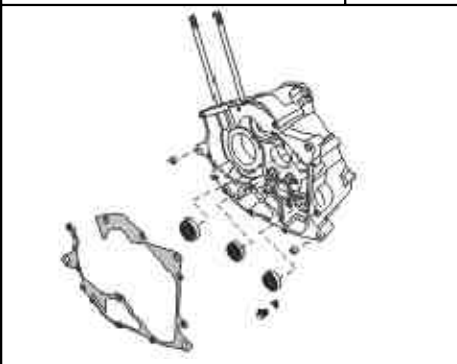


PLATE NO. : 8	PAGE NO.:
TRANSMISSION	8 & 9

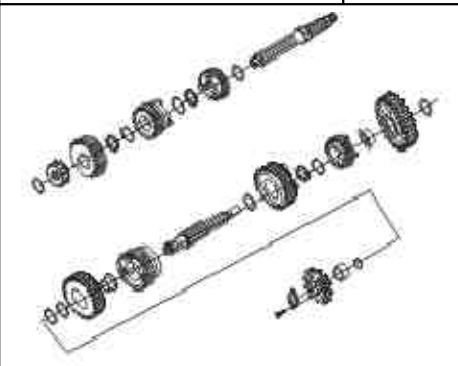


PLATE NO. : 10	PAGE NO.:
GEAR CHANGE MECHANISM	11



PLATE NO. : 12	PAGE NO.:
CRANKCASE LH	13 & 14

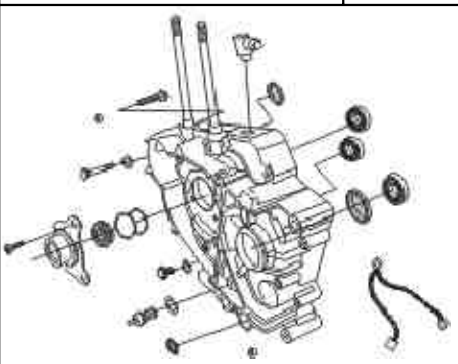


PLATE NO. : 13	PAGE NO.:
COVER RH	15 & 16

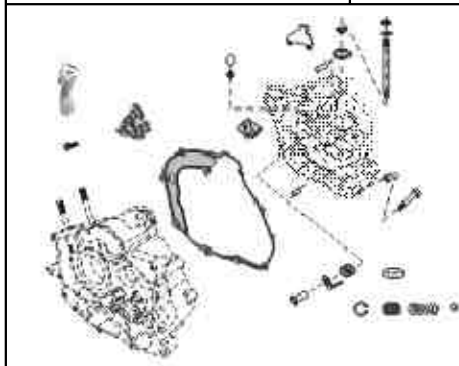


PLATE NO. : 15	PAGE NO.:
CLUTCH	18

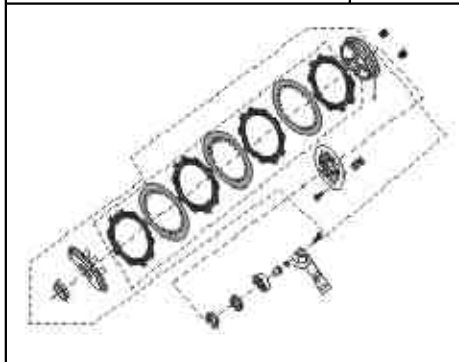


PLATE NO. : 17	PAGE NO.:
CARBURETTOR	20

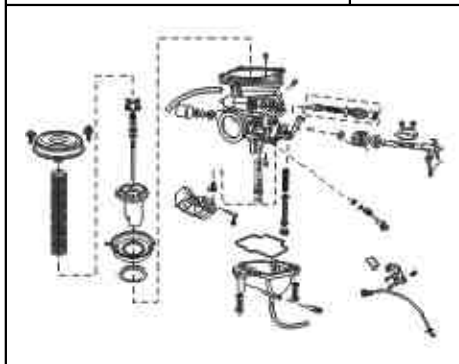


PLATE NO. : 14	PAGE NO.:
COVER MAGNETO	17

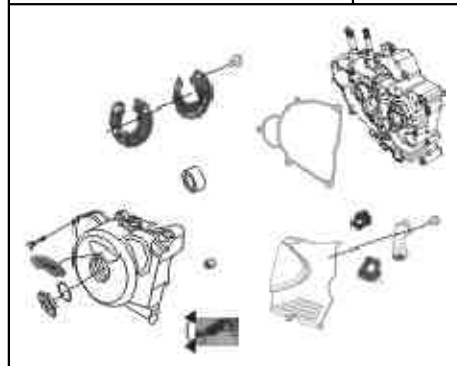


PLATE NO. : 16	PAGE NO.:
OIL COOLER ASSEMBLY	19

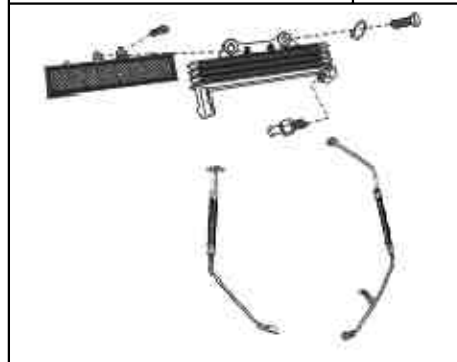


PLATE NO. : 18	PAGE NO.:
AIR CLEANER COMP	21

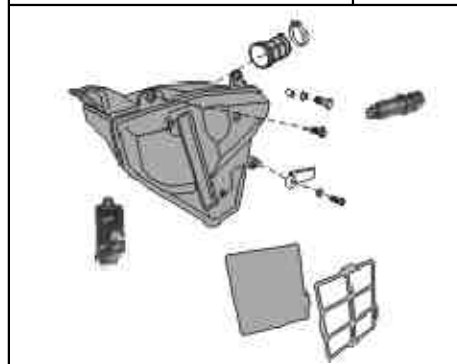


PLATE NO. : 19	PAGE NO.:
SILENCER ASSLY.	22

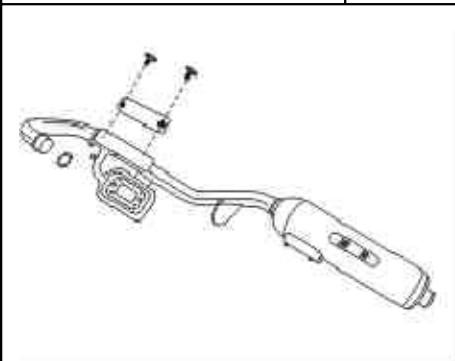


PLATE NO. : 24	PAGE NO.:
OIL PUMP	24

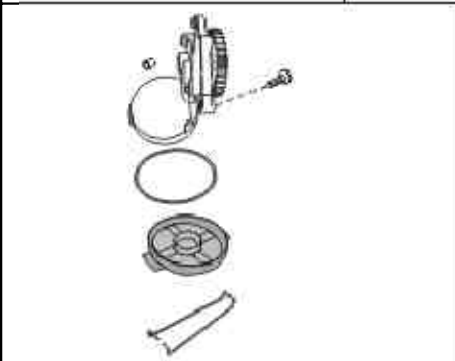


PLATE NO. : 23	PAGE NO.:
STARTER ASSLY (FOR SELF START)	27

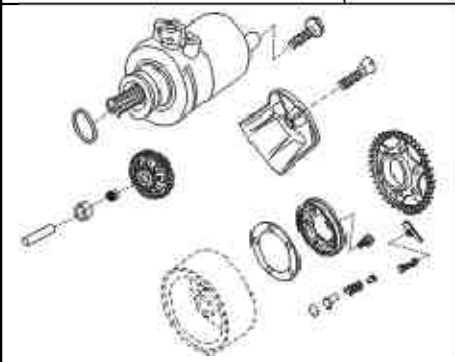


PLATE NO. : 20	PAGE NO.:
SEAT ASSLY / SEAT LOCK	23

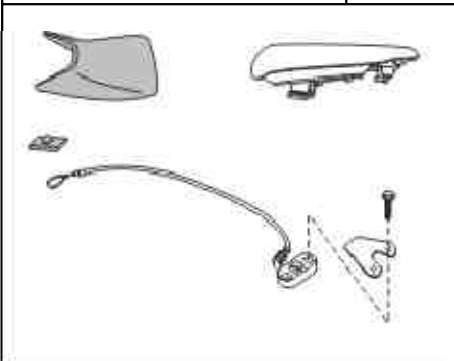


PLATE NO. : 22	PAGE NO.:
MAGNETO / C.D.I. / H.T. COIL	26 & 28

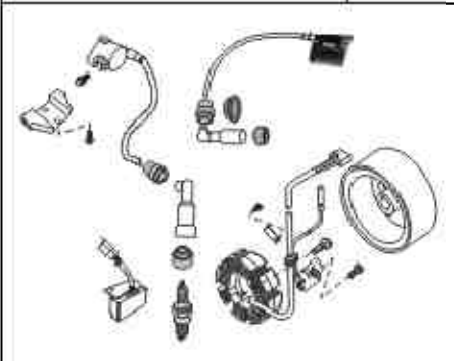


PLATE NO. : 24	PAGE NO.:
ENGINE MOUNTINGS	28

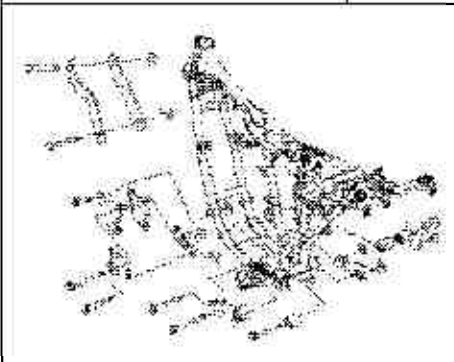


PLATE NO. : 25	PAGE NO.:
FRAME & FRAME FITTINGS	29

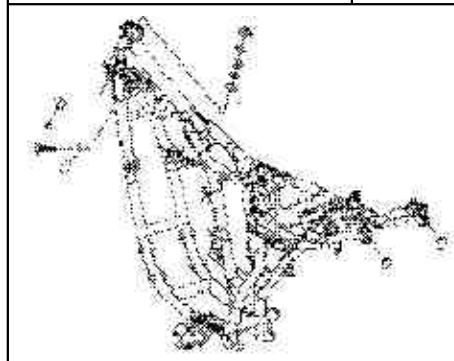


PLATE NO. : 27	PAGE NO.:
RIDER FOOT REST	31

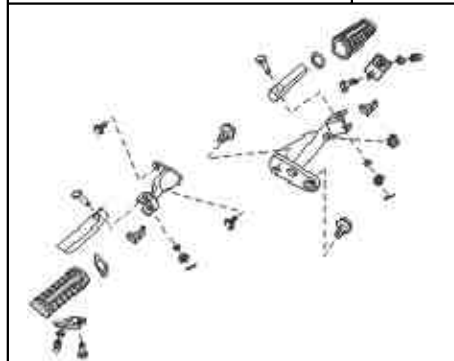


PLATE NO. : 29	PAGE NO.:
MUDGUARD FRONT & REAR	33

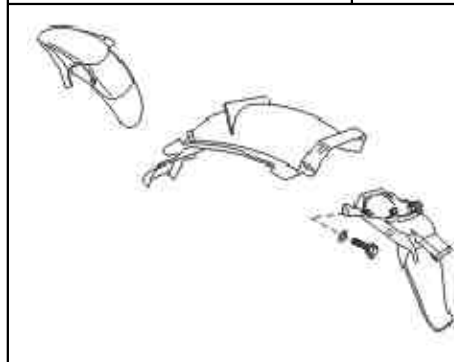


PLATE NO. : 26	PAGE NO.:
SWING ARM / RR. SHOCK ABSORBER	30

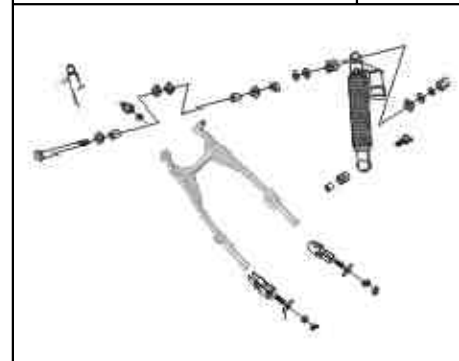


PLATE NO. : 28	PAGE NO.:
PILLION FOOT REST / HOLDER	32

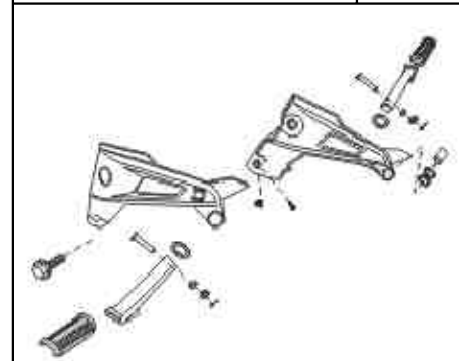


PLATE NO. : 30	PAGE NO.:
STAND ASSEMBLY	34

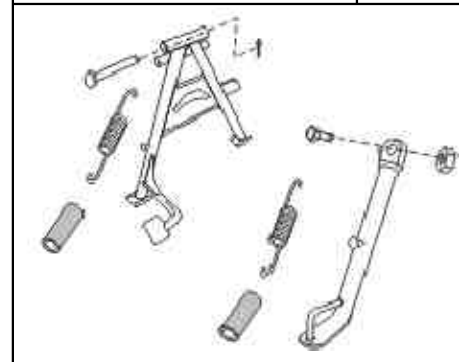


PLATE NO. : 31 TYRE / TUBE / RIM	PAGE NO.: 35
-------------------------------------	-----------------



PLATE NO. : 33 FRONT MASTER CYLINDER	PAGE NO.: 37
---	-----------------

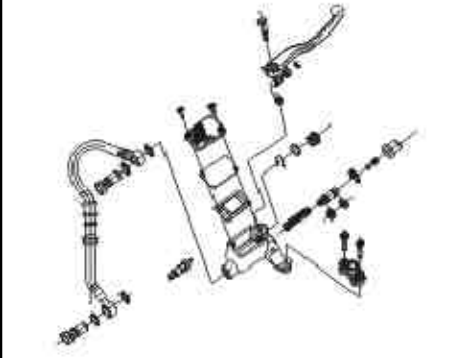


PLATE NO. : 35 REAR HUB	PAGE NO.: 39 & 40
----------------------------	----------------------

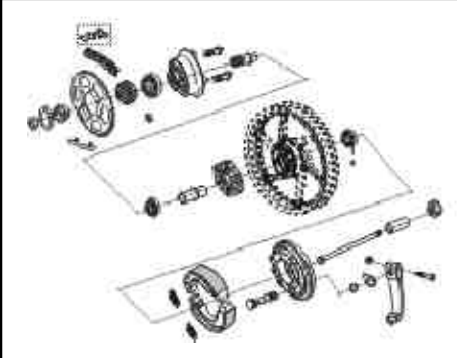


PLATE NO. : 32 FRONT HUB	PAGE NO.: 36
-----------------------------	-----------------



PLATE NO. : 34 FRONT DISC BRAKE	PAGE NO.: 38
------------------------------------	-----------------

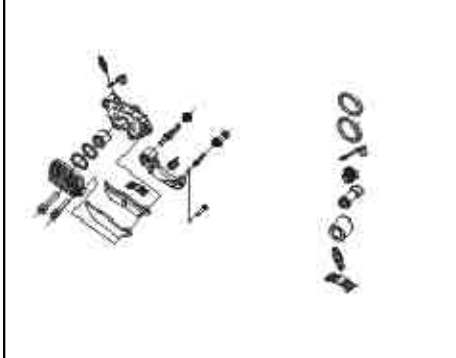


PLATE NO. : 36 REAR BRAKE PADAL	PAGE NO.: 41
------------------------------------	-----------------



PLATE NO. : 37 HANDLE BAR	PAGE NO.: 42 & 43
------------------------------	----------------------

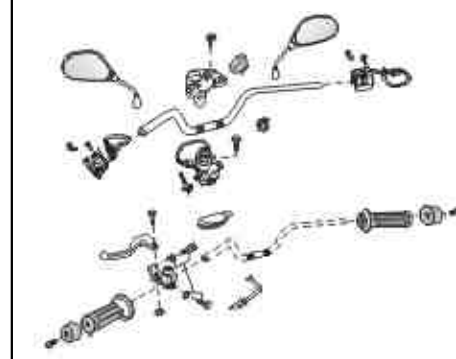


PLATE NO. : 39 PAINTED PARTS & DECALS	PAGE NO.: 46, 47, 48
--	-------------------------

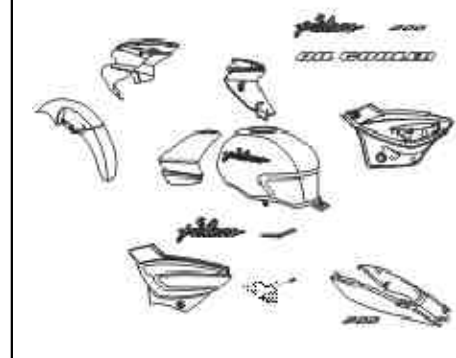


PLATE NO. : 41 FITTINGS P. TANK, SIDE COVER & COVER SEAT	PAGE NO.: 50
--	-----------------

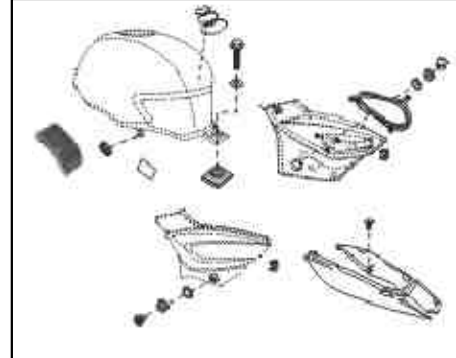


PLATE NO. : 38 FRONT FORK	PAGE NO.: 44 & 45
------------------------------	----------------------

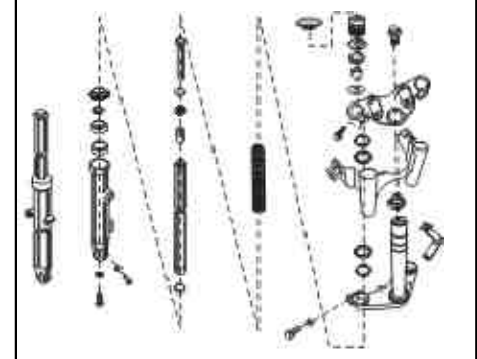


PLATE NO. : 40 CAP TANK & GAUGE FUEL	PAGE NO.: 49
---	-----------------

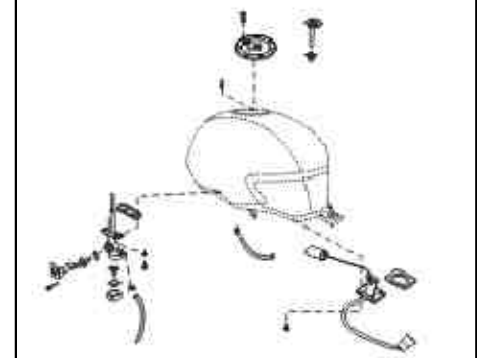


PLATE NO. : 42 METER ASSEMBLY	PAGE NO.: 51
----------------------------------	-----------------



PLATE NO. : 43 CONTROL CABLES	PAGE NO.: 52
----------------------------------	-----------------



PLATE NO. : 45 HEAD LAMP & FAIRING	PAGE NO.: 54
---------------------------------------	-----------------

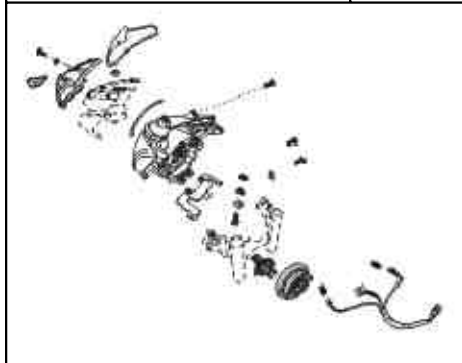


PLATE NO. : 47 TAIL LAMP ASSLY / FR & RR NO. PLATE	PAGE NO.: 56
---	-----------------

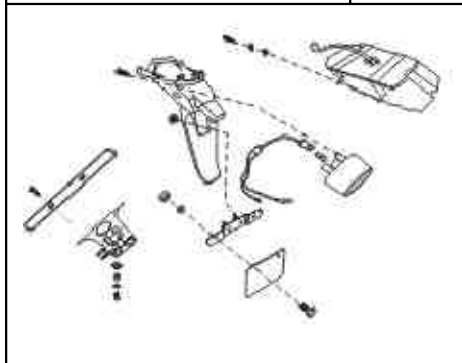


PLATE NO. : 44 CHAIN COVER	PAGE NO.: 53
-------------------------------	-----------------

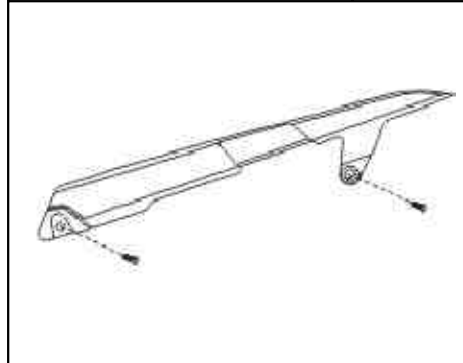


PLATE NO. : 46 INDICATOR LIGHT ASSEMBLY	PAGE NO.: 55
--	-----------------



PLATE NO. : 48 ELECTRICAL EQUIPMENTS	PAGE NO.: 57
---	-----------------

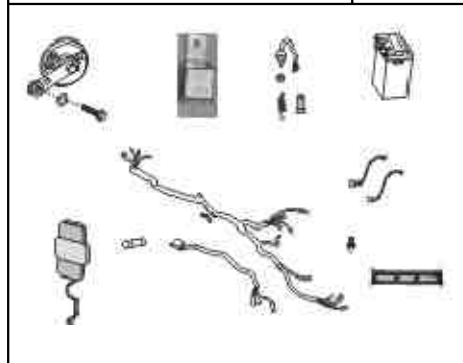


PLATE NO. : 49 TOOL KIT	PAGE NO.: 58
----------------------------	-----------------



--	--



--	--

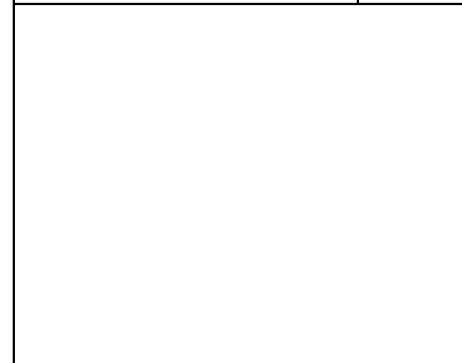
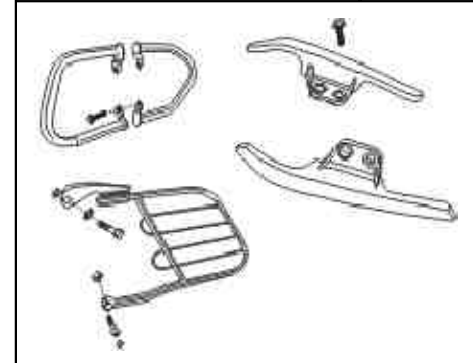


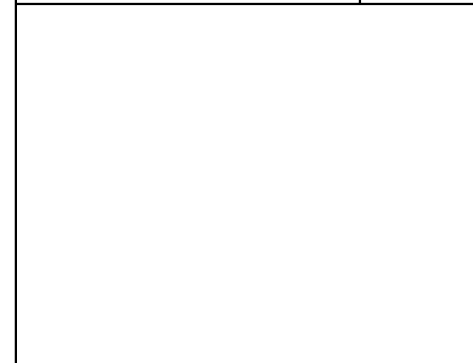
PLATE NO. : 50 ACCESSORIES / GRAB HANDLE	PAGE NO.: 59
---	-----------------

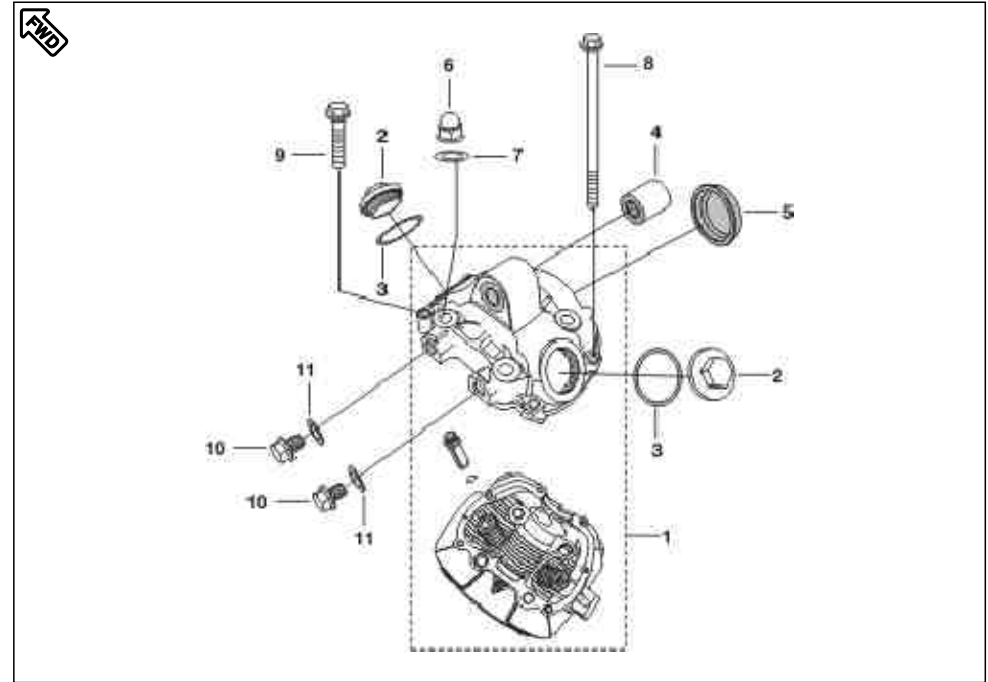


--	--

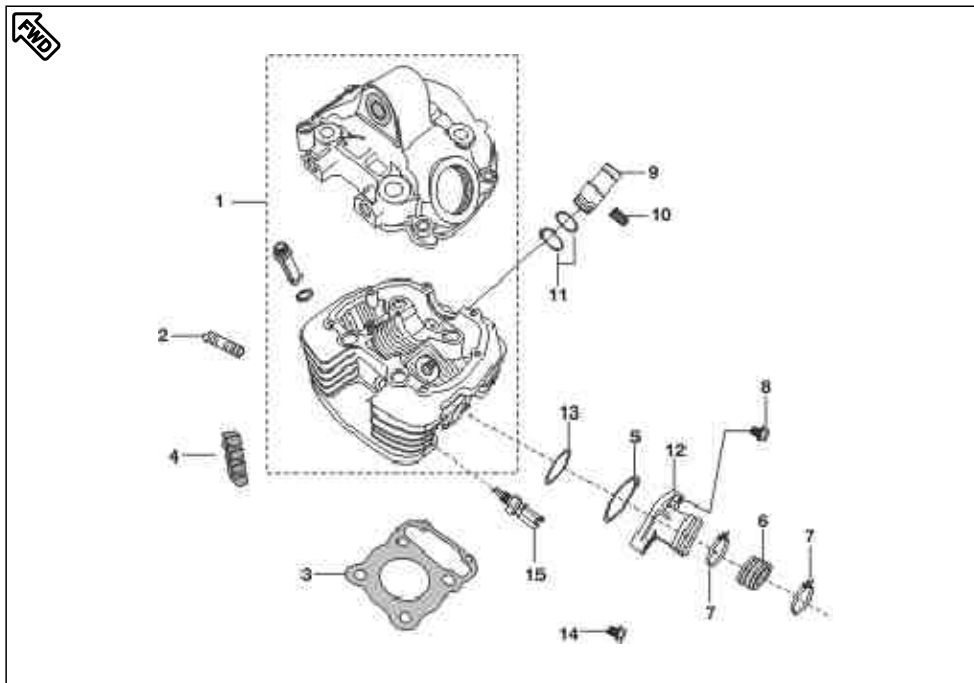


--	--

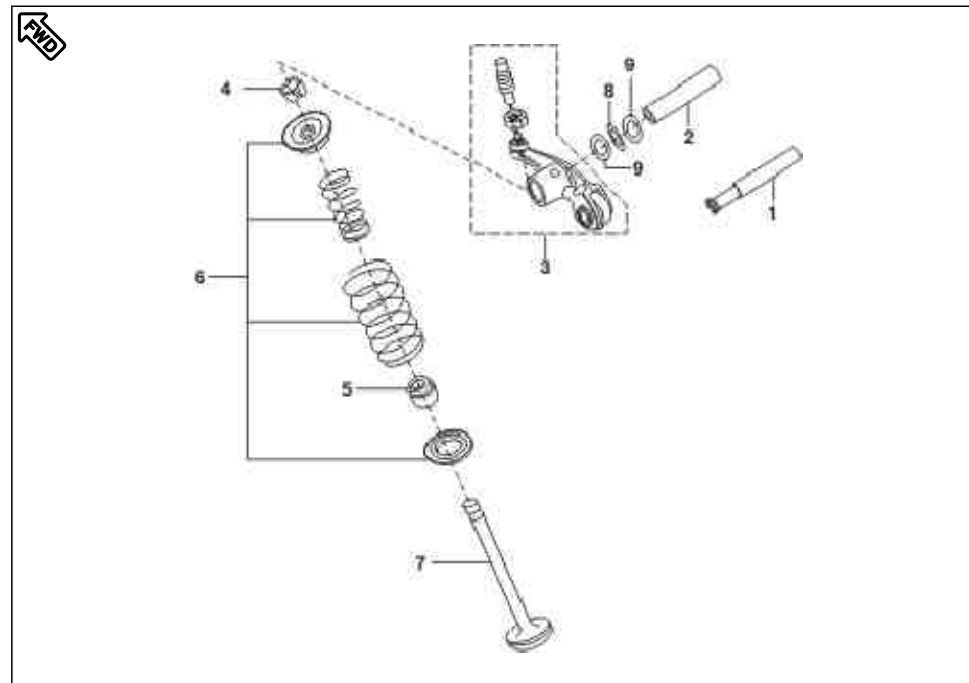




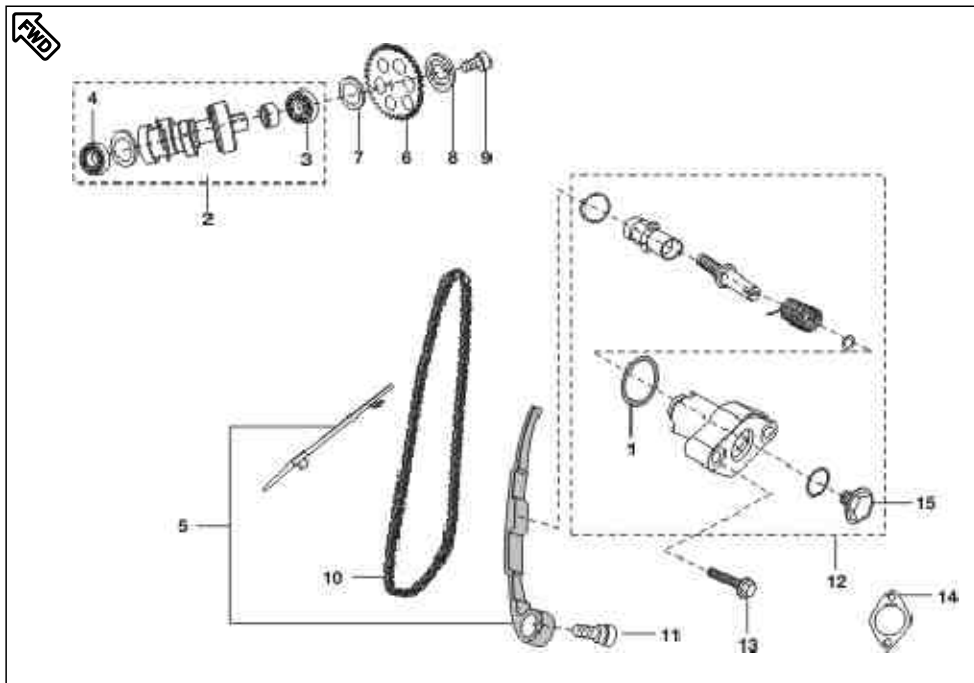
No.	Part No.	Description	Qty/ Veh.	Remarks
1	JC 1010 36	Head Cylinder with Cover	1	
2	DJ 1012 17	Cover Tappet	2	
3	36 DS10 01	'O' Ring Kit for Cover Cyl. Head	1	Refer Page No. 60
4	DS 1011 66	Silent Bush (V)	1	
5	DS 1010 96	Camshaft Cap	1	
6	39 2647 15	Domed Cap Nut	4	
7	DS 1010 84	Copper gasket	4	
8	39 2532 04	Hex. Bolt with Flange	2	
9	39 1075 04	Hex. Bolt with Flange	4	
10	DH 1012 72	Plug	2	
11	31 1011 06	Gasket	2	



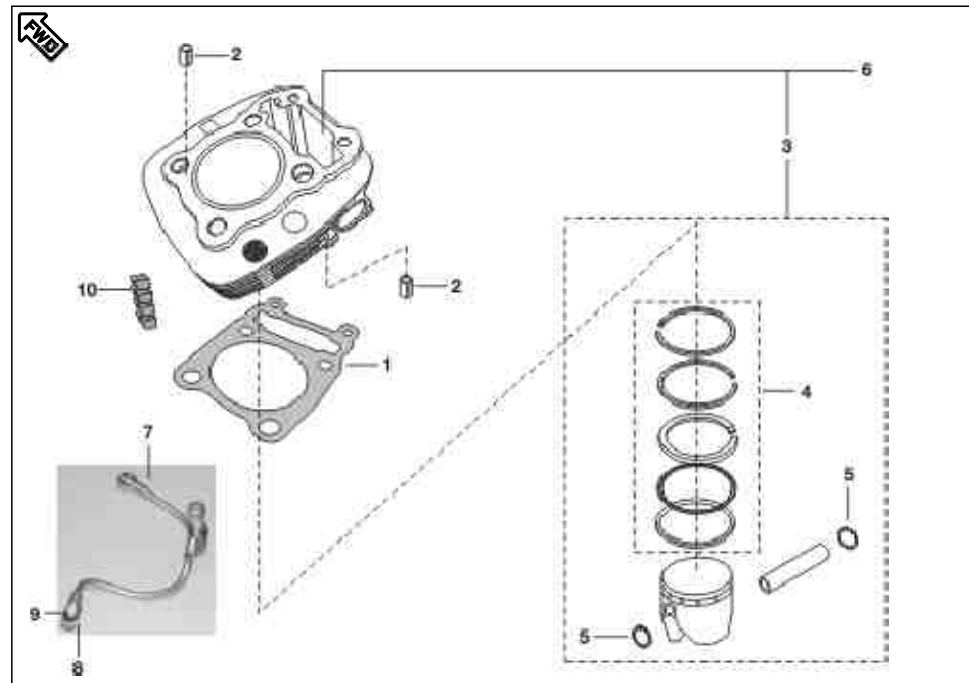
No.	Part No.	Description	Qty/ Veh.	Remarks
1	JC 1010 36	Head Cylinder with Cover	1	
2	39 1660 05	Stud (Exhaust)	2	
3	DK 1010 03	Gasket Cylinder Head	1	
4	DH 1015 08	Damper Cylinder Head	5	
5	39 1283 21	'O' Ring	1	
6	JC 1200 03	Carburettor Insulator	1	
7	DH 1210 38	Clamp for Insulator	2	
8	39 1674 04	Hex. Bolt / Flange	2	
9	DH 1110 12	Sleeve - Spark Plug	1	
10	39 2608 01	Grub Screw	1	For Sleeve Spark Plug
11	36 DS10 01	'O' Ring Kit for Cover Cyl. Head	1	Refer Page No.60
12	JC 1200 01	Manifold	1	
13	59 2100 08	"O" ring insulator	1	
14	39 1674 04	Hex bolt with flange	2	Manifold mtg.
15	AP 1110 10	Engine temperature sensor	1	



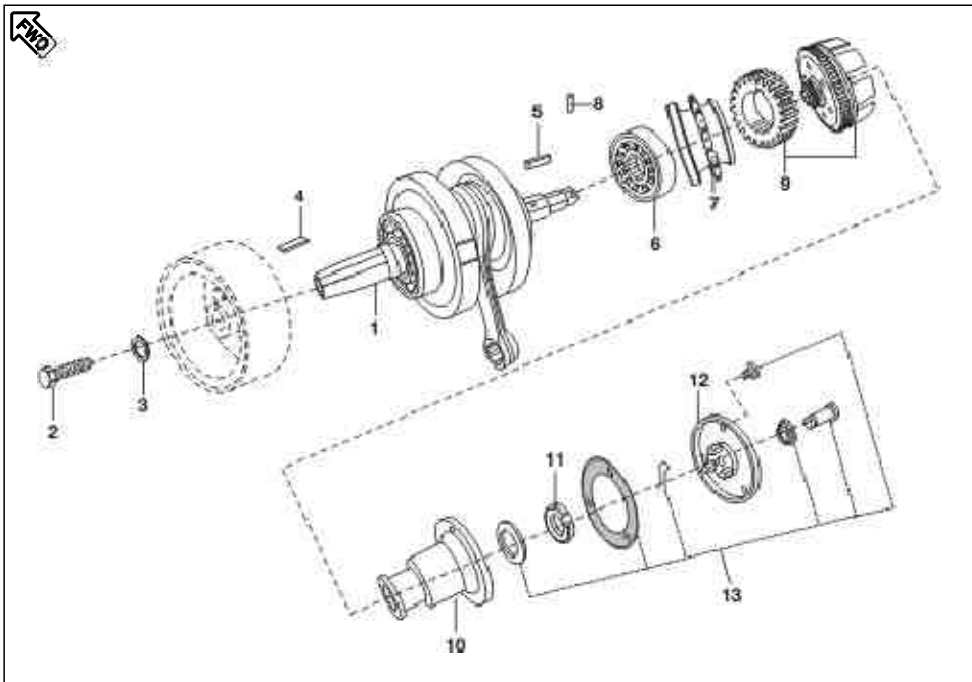
No.	Part No.	Description	Qty/ Veh.	Remarks
1	DS 1013 35	Rocker Arm Shaft - Intake	1	
2	DS 1013 36	Rocker Arm Shaft - Exhaust	1	
3	DS 1013 33	Rocker Arm with roller	2	
4	DG 1010 29	Cotter valve	4	
5	39 2017 19	Seal valve stem	2	
6	DK 1013 26	Valve Repair Kit	1	Refer Page No.60
7	DK 1013 27	Valve Kit	1	Refer Page No.60
8	DS 1013 66	Wave washer	2	
9	59 1100 02	Plain washer	4	



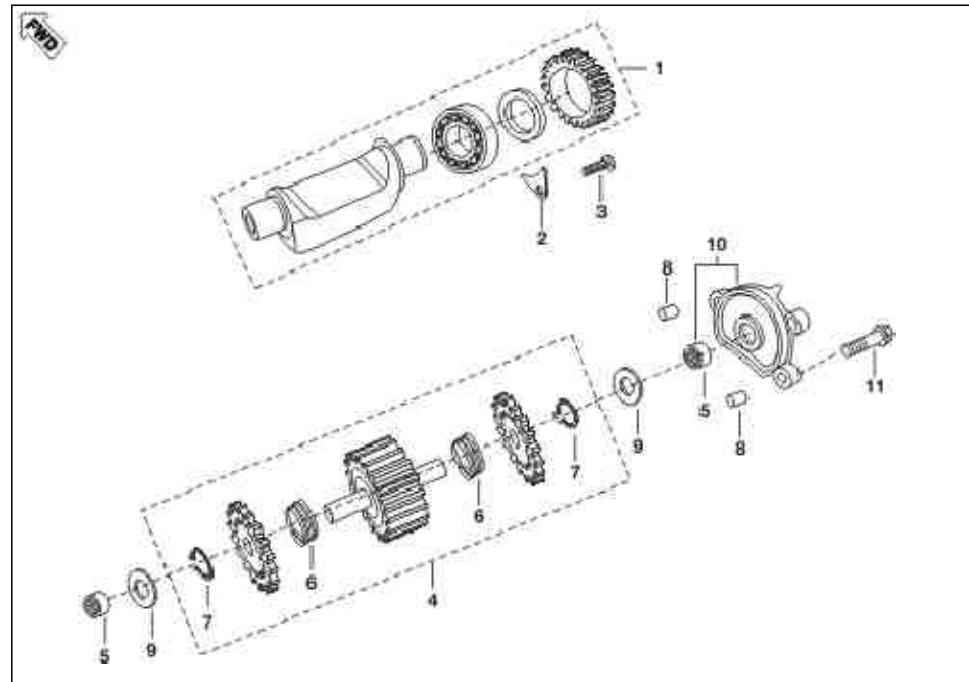
No.	Part No.	Description	Qty/ Veh.	Remarks
1	39 2669 21	Ring 'O'	1	
2	JC 1010 22	Camshaft Assembly	1	
3	39 2542 20	Bearing cam RH side	1	
4	39 1880 20	Bearing cam LH side	1	
5	JC 1010 38	Guide chain Kit	1	Refer Page No.60
6	DS 1012 76	Sprocket cam Driven (32 T)	1	
7	DH 1014 12	Collar cam Sprocket	1	
8	DH 1010 48	Special camshaft washer	1	
9	59 0400 31	Hex. Soc. Head cap Bolt	1	
10	JC 1010 35	Cam Chain	1	
11	DH 1013 92	Cam chain Tensioner pivot Bolt	1	
12	JC 1010 34	Tensioner Assly	1	
13	39 1673 04	Hex Bolt / Flange	2	
14	CS 1011 28	Tensioner assly. gasket	1	
15	DD 1010 62	Bolt	1	



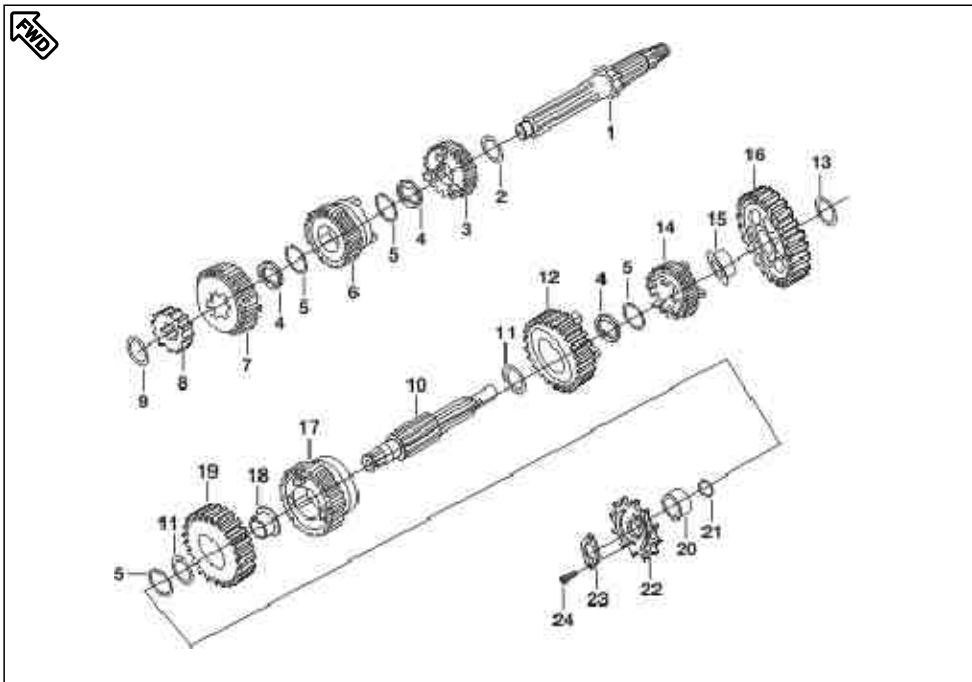
No.	Part No.	Description	Qty/ Veh.	Remarks
1	DK 1010 63	Gasket Cylinder	1	
2	39 2181 06	Pin dowel	4	
3	JC 1010 12	Piston Assly. Std.	1	Refer Page No.60
4	DK 1013 28	Ring Set Piston	1	
5	39 2132 17	Ring Snap	2	
6	JC 1010 37	Cylinder Block / Piston Assly	1	
7	DK 1012 35	Banjo oil cooler pipe	1	
8	DK 1012 36	Bolt special	2	
9	DK 1012 37	Washer copper	4	
10	DH 1014 14	Damper	6	



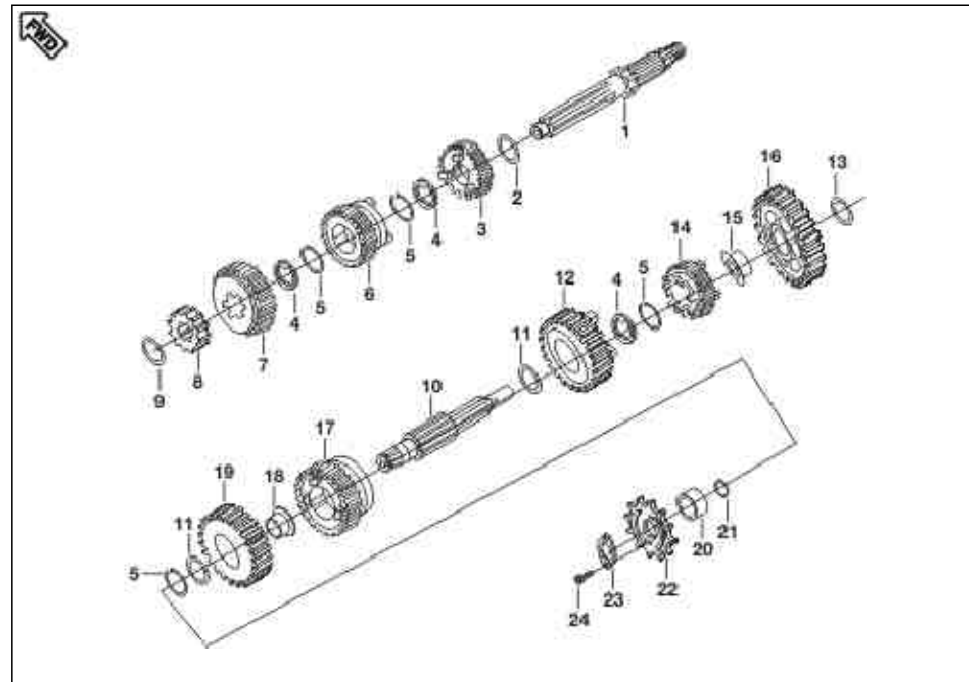
No.	Part No.	Description	Qty/ Veh.	Remarks
1	JC 1010 01	Crankshaft assly. comp.	1	
2	39 2183 04	Bolt	1	
3	39 2165 11	Plain washer	1	
4	31 1011 73	Key woodruff	1	
5	DS 1011 54	Parallel key	1	
6	39 2153 20	Bearing Ball	1	
7	DK 1012 48	Sprocket cam drive (16 T)	1	
8	39 2203 07	Parallel pin	1	
9	36 DK00 29	Set primary driver driven	1	
10	DH 1010 64	Body centrifugal oil filter	1	
11	DH 1011 95	Nut primery drive	1	
12	DH 1010 65	Cover centrifugal oil filter	1	
13	36 DK00 07	Kit centrifugal oil filter	1	Refer Page No.60



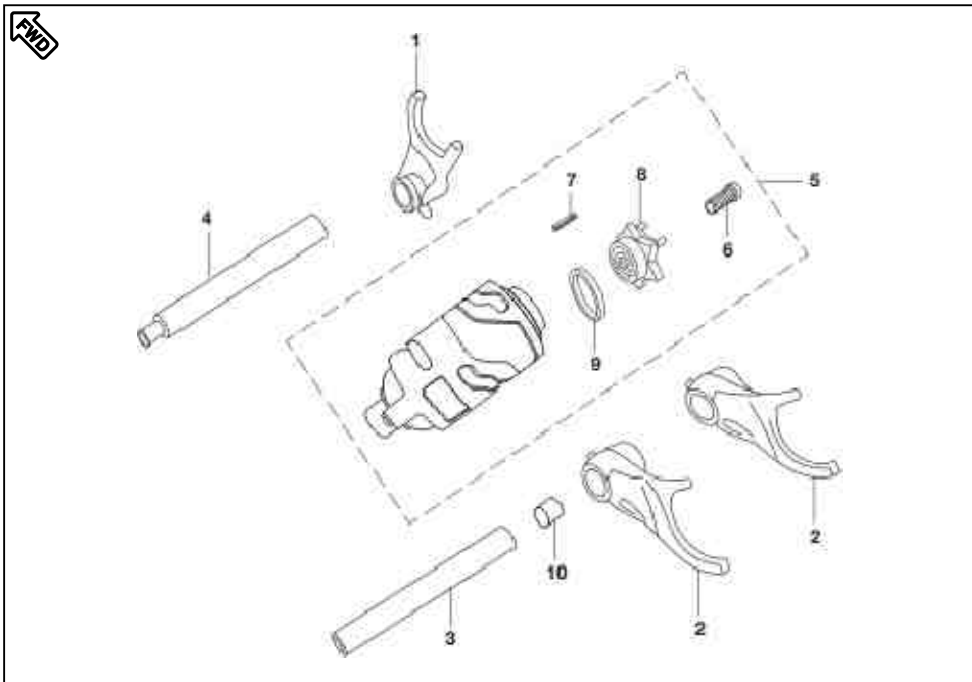
No.	Part No.	Description	Qty/ Veh.	Remarks
1	DJ 1010 22	Body Balancer Assly.	1	
2	DH 1010 72	Bearing stopper	1	
3	39 1672 04	Bolt	1	
4	DH 1011 34	Assly. Balancer Idler Gear comp.	1	
5	39 2152 20	Needle roller bearing	2	
6	DJ 1011 33	Spring torsion Balancer Idler	2	
7	39 2557 17	Circlip ext.	2	
8	39 1686 06	Dowel Pin	2	
9	39 1620 11	Spring steel washer	2	
10	52 DH01 77	Balancer Idler Holder	1	
11	39 1674 04	Hex bolt with flange	3	



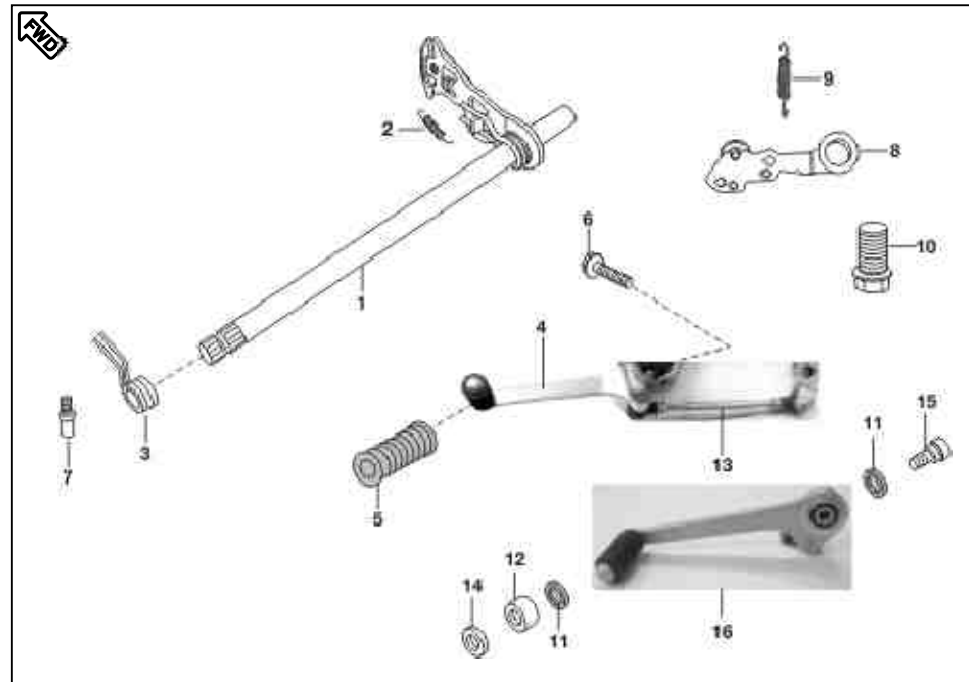
No.	Part No.	Description	Qty/ Veh.	Remarks
1	DK 1011 25	Shaft Input Transmission	1	
2	39 2158 11	Washer plain	2	
3	DK 1011 03	Gear 4th Drive	1	
4	DH 1010 79	Washer Spline	3	
5	DH 1012 35	External Circlip	4	
6	DK 1011 02	Gear 3rd Drive	1	
7	DK 1011 04	Gear 5th drive	1	
8	DH 1010 84	Gear 2nd drive	1	
9	39 2160 11	Plain washer	1	
10	DK 1011 45	Shaft output Transmission	1	
11	DH 1013 36	Washer Thrust	2	
12	DK 1011 05	Gear 3rd Driven	1	
13	DH 1010 79	Washer spline	2	
14	DK 1011 06	Gear 4th Driven	1	
15	DH 1011 11	Bush 1st driven	1	



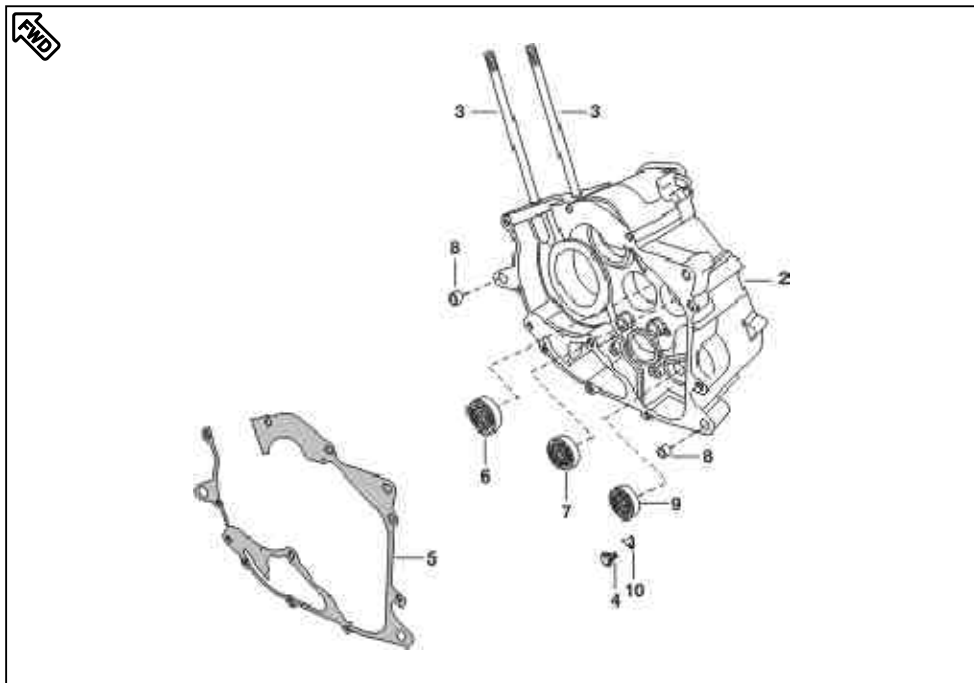
No.	Part No.	Description	Qty/ Veh.	Remarks
16	DK 1011 18	Gear 1st driven	1	
17	DK 1011 07	Gear 5th Driven	1	
18	DH 1013 19	Bush 2nd driven	1	
19	DH 1013 33	Gear 2nd Driven	1	
20	DK 1012 45	Collar Sprocket	1	
21	30 1010 61	'O' Ring Sprocket Coller	1	
22	DV 1010 48	Sprocket Drive	1	
23	DJ 1010 63	Plate Drive Sprocket	1	
24	39 1062 04	Bolt flange	2	



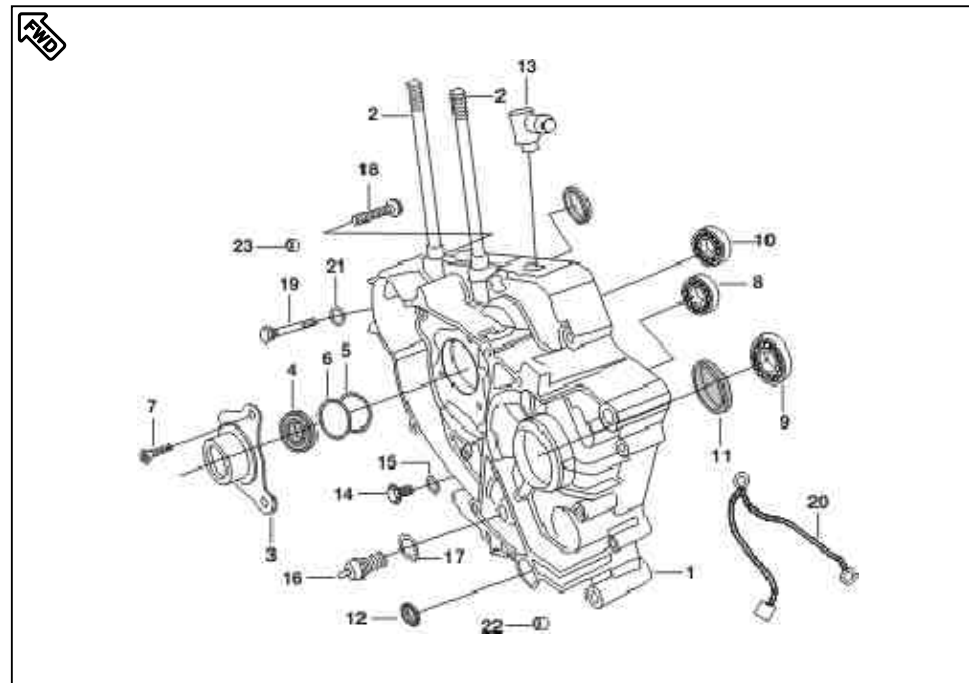
No.	Part No.	Description	Qty/ Veh.	Remarks
1	DK 1011 59	Fork Gear Shift Input	1	
2	DK 1011 60	Fork Gear Shift output	2	
3	DH 1011 46	Shaft Gear Shift Fork	1	
4	DH 1014 93	Shaft Gear Fork Shift	1	
5	DK 1011 57	Drum comp. Gear Shift	1	
6	39 2437 04	Bolt Socket	1	
7	39 2606 07	Parallel pin	1	
8	DK 1013 61	Guide Gear Shifter	1	
9	DH 1014 96	Spacer	1	
10	DK 1011 35	Bush Fork Gear Shift	1	



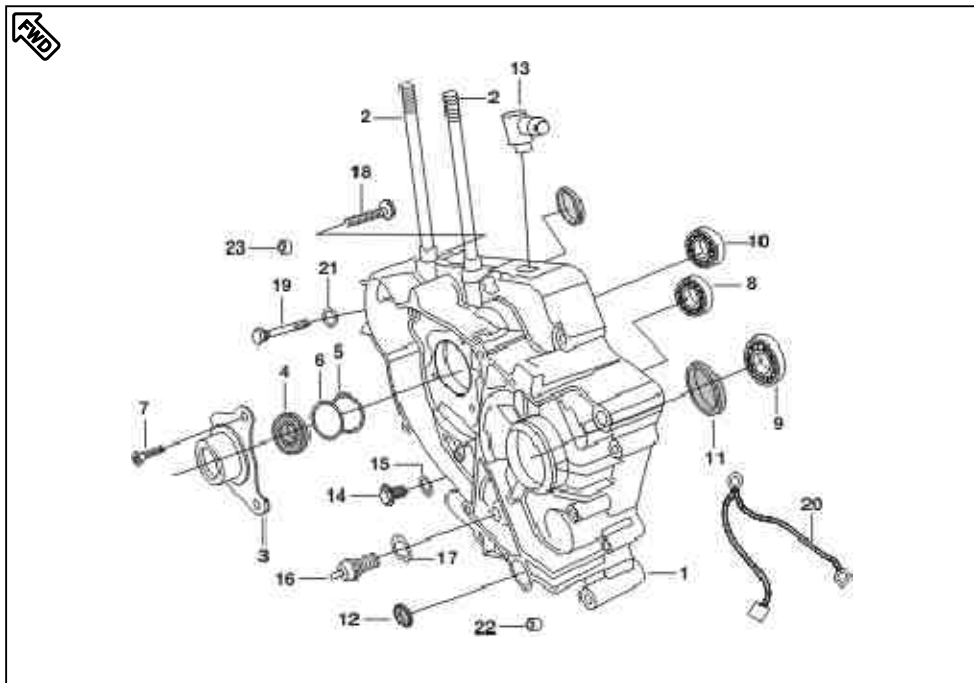
No.	Part No.	Description	Qty/ Veh.	Remarks
1	DH 1017 05	Lever comp. Gear Shifter	1	
2	DH 1017 14	Spring Slider Arm Reset	1	
3	DH 1011 44	Spring Gear Shifter Return	1	
4	DK 1011 82	Lever gear shift assly	1	
5	DH 1015 09	Damper	1	
6	39 2453 04	Flanged Bolt	1	
7	DH 1013 93	Bolt Gear Shift drum Stopper	1	
8	DH 1015 03	Stopper Gear Shifter Drum	1	
9	DK 1012 53	Spring Gear Shifter Drum Stopper	1	
10	DH 1013 94	Bolt Shift Change	1	
11	39 1998 19	Oil seal	2	
12	DK 1011 87	Collar	1	
13	DK 1011 80	Assembly tie rod	1	
14	DK 1011 85	Washer pivot	1	
15	DK 1011 86	Pivot bolt	1	
16	DK 1011 77	Lever change arm	1	



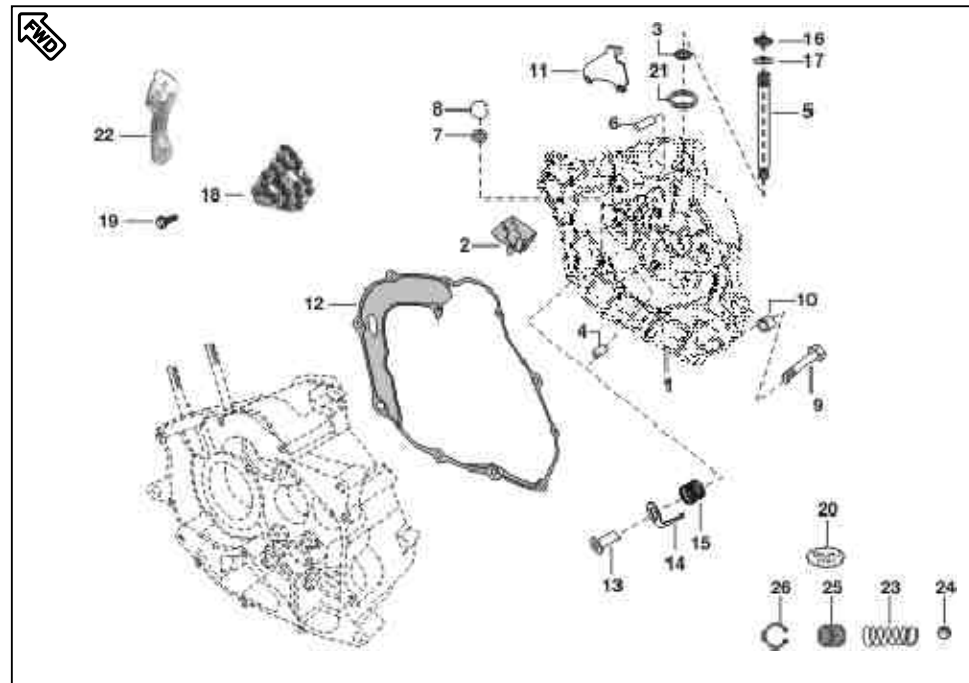
No.	Part No.	Description	Qty/ Veh.	Remarks
1	JC 1010 18	Engine Assly. with starter motor	1	N I
2	JC 1010 29	Crankcase RH	1	
3	59 0500 08	Stud	2	
4	DH 1013 83	Bolt Flanged	1	
5	DH 1010 06	Gasket Crankcase	1	
6	39 2583 20	Bearing Ball (For Input shaft)	1	
7	39 2601 20	Bearing Ball (For Output shaft)	1	
8	39 2180 06	Dowel Pin	2	
9	59 2000 27	NRB	1	
10	DH 1014 87	Plate Stopper	1	



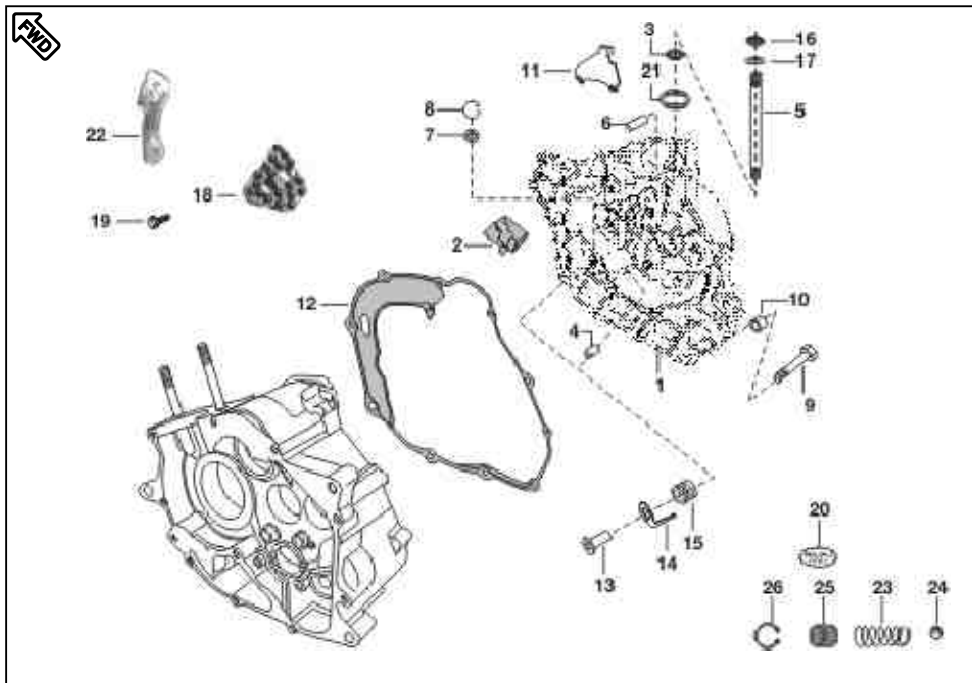
No.	Part No.	Description	Qty/ Veh.	Remarks
1	JC 1010 16	Crankcase LH	1	
2	59 0500 08	Stud	2	
3	DK 1010 94	Guide starter assly	1	
4	39 2188 19	Oil Seal	1	
5	59 2100 06	O' Ring	1	
6	DK 1010 97	Damper	1	
7	39 0752 01	C' Sunk Head Screw	3	
8	39 2603 20	Bearing Ball (For Input shaft)	1	
9	59 2000 06	Bearing Ball (For Output shaft)	1	
10	39 2185 20	Balancer LH Bearing	1	
11	30 1010 14	Oil Seal (For Output shaft)	1	
12	39 2190 19	Oil Seal (For Shift lever)	1	
13	DH 1012 03	Breather pipe	1	
14	DH 1016 61	Plug (Drain Bolt)	1	
15	31 1011 06	Gasket (For Drain Bolt)	1	



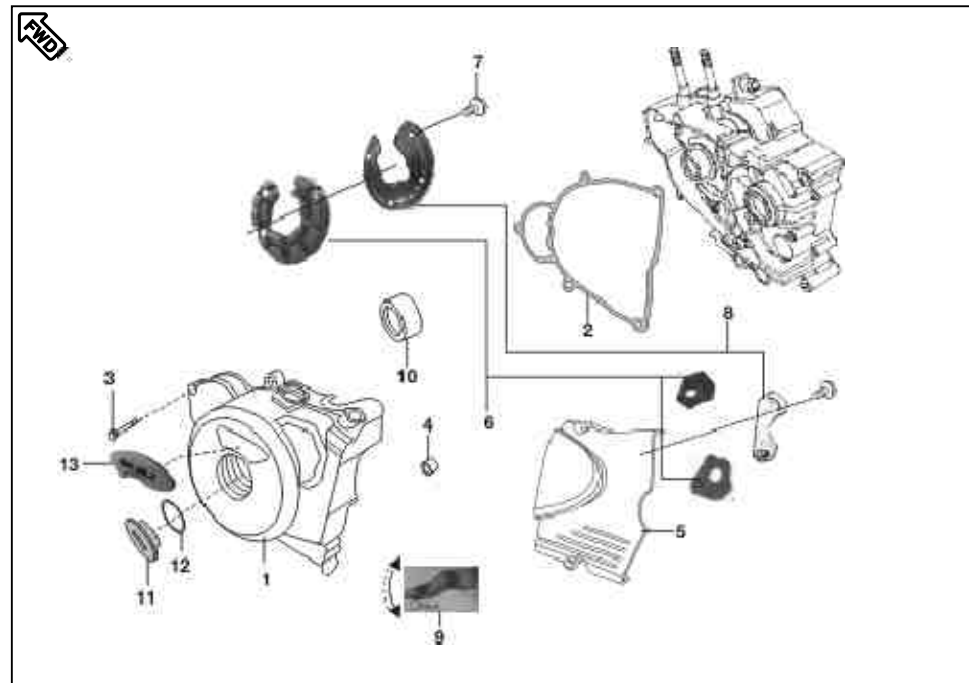
No.	Part No.	Description	Qty/ Veh.	Remarks
16	31 2010 81	Switch comp.(Neutral)	1	
17	DH 1017 84	Gasket Neutral Switch	1	
18	39 1677 04	Bolt	8	
19	39 2305 04	Bolt	1	
20	DJ 2010 21	Cable assly. (Battery to Earth)	1	
21	39 2448 11	Plain Washer	1	
22	39 2180 06	Hallow dowel pin	2	
23	39 2181 06	Hallow dowel pin	2	



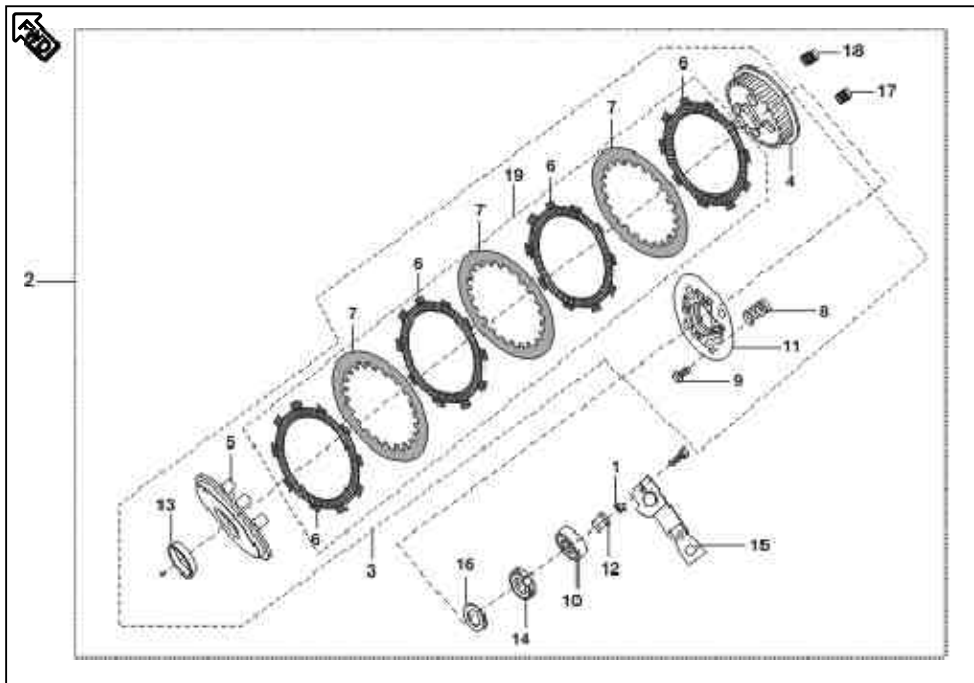
No.	Part No.	Description	Qty/ Veh.	Remarks
1	JC 1010 30	Cover comp RH	1	
2	DH 1011 97	Grommet Breather	1	
3	39 1041 19	Oil Seal	1	
4	DH 1011 41	Rack	1	
5	DH 1011 42	Shaft clutch release	1	
6	DK 1012 51	Parallel pin	1	
7	DG 1014 18	Gauge	1	
8	DS 1012 15	Wire circlip	1	
9	DS 1013 53	Bolt	10	
10	39 0999 06	Pin Dowel	2	
11	DK 1012 52	Bracket Clutch Cable	1	
12	DH 1011 54	Gasket cover RH	1	
13	DH 1210 15	Plunger Oil	1	
14	DH 1210 11	Plate Plunger Oil	1	
15	DH 1210 12	Spring Joint 'A'	1	



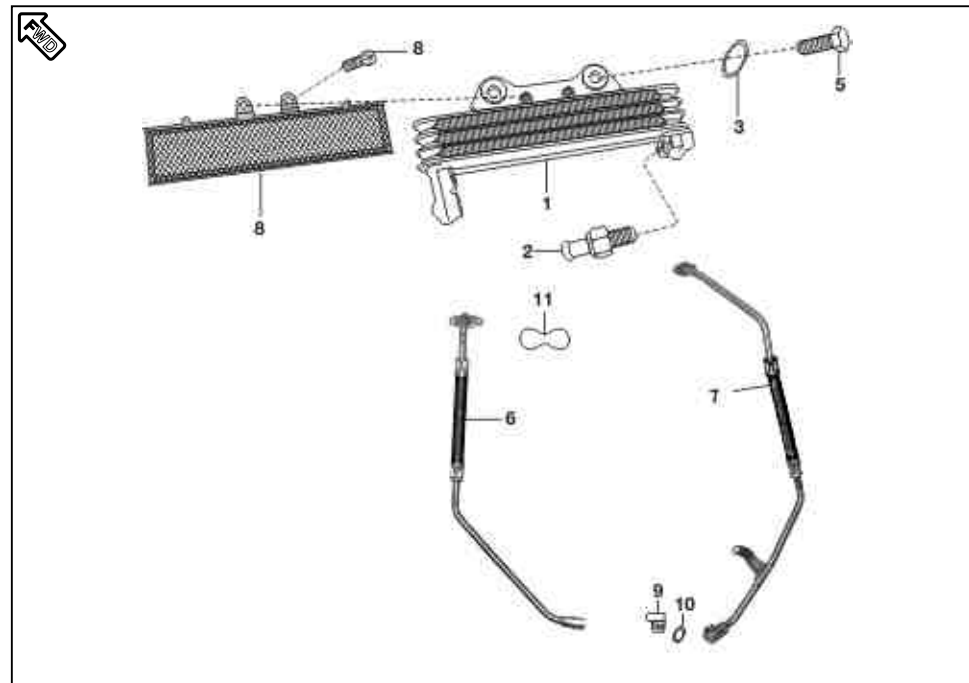
No.	Part No.	Description	Qty/ Veh.	Remarks
16	DH 1015 44	Spring torsion clutch lever	1	
17	39 2443 11	Washer	1	
18	DH 1015 10	Damper	1	
19	DH 1013 88	Flanged Bolt	8	
20	JC 1010 40	'Bajaj' Decal	1	Fitted on Cover comp. RH
21	39 1990 20	NRB	2	
22	DH 1014 82	Plate	1	
23	DK 1011 22	Spring relief valve	1	
24	30 1012 36	Ball steel	1	
25	DK 1011 23	Bold relief valve	1	
26	39 2547 17	Integral circlip	1	



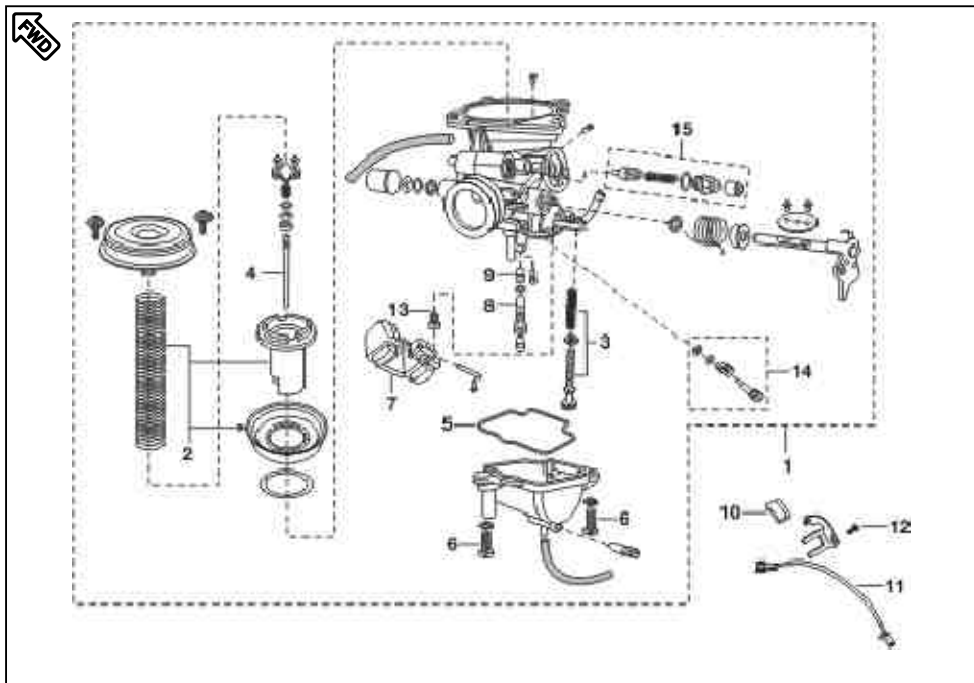
No.	Part No.	Description	Qty/ Veh.	Remarks
1	DJ 1012 09	Cover Magneto	1	
2	DV 1010 42	Gasket Magneto cover	1	
3	39 2183 04	Bolt	7	
4	39 0999 06	Pin Dowel	2	
5	JC 1010 33	Cover LH RR	1	
6	36 DH10 06	Set Damper	1	Refer Page No.60
7	DH 1013 88	Flanged Bolt	4	
8	36 DH10 07	Set of Plate	1	Refer Page No.60
9	DJ 1610 12	Gear Shift Label	1	
10	AP 1010 43	NR bearing	1	
11	DH 1011 57	Cap crank center	1	
12	39 2452 21	O ring	1	
13	DH 1013 23	Decal cover magneto	1	



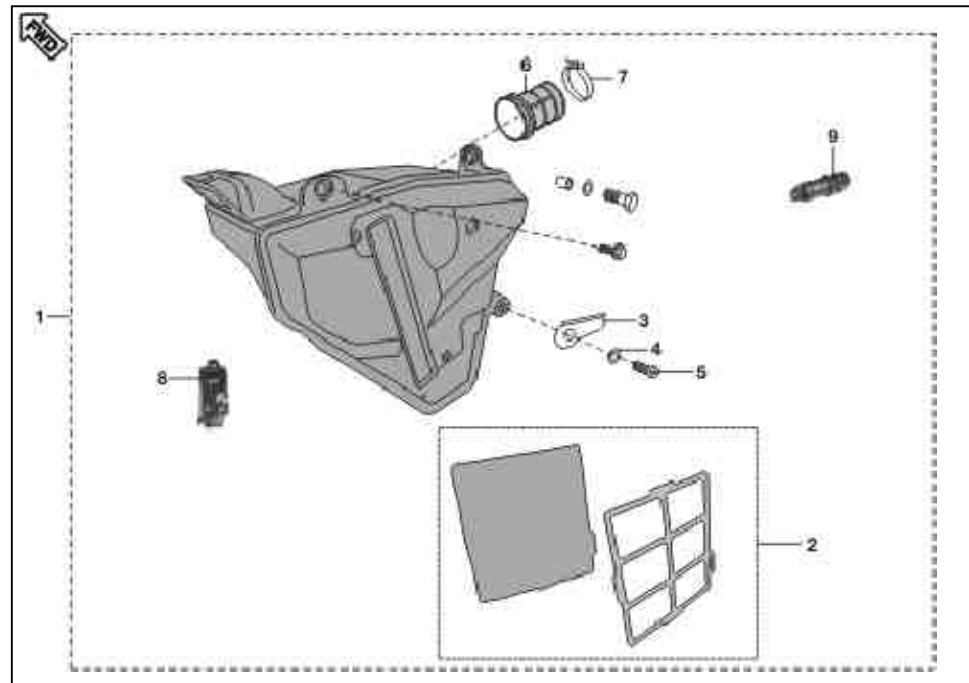
No.	Part No.	Description	Qty/ Veh.	Remarks
1	DH 1012 75	Special Nut	1	
2	DK 1010 73	Clutch assembly comp.	1	
3	DK 1010 75	Clutch Plate Assly	1	
4	DK 1010 01	Clutch Center	1	
5	DK 1011 63	Plate Clutch pressure	1	
6	DK 1011 49	Disc Clutch friction	4	
	DK 1011 50	Disc Clutch friction (B type)	1	
	DK 1012 55	Disc Clutch friction (C type)	1	
7	DK 1011 51	Plate Clutch	5	
8	DK 1011 52	Spring Clutch Capacity	4	
9	DK 1011 54	Bolt	4	
10	39 1880 20	Bearing Clutch lifter thrust	1	
11	DK 1013 38	Holder Clutch	1	
12	DK 1010 72	Rod Clutch lifter	1	
13	DK 1011 26	Spacer Clutch	1	
14	DH 1016 48	Nut Primary drive lock	1	LH Thread
15	DK 1010 78	Lever Assly. Clutch	1	
16	39 2200 11	Washer Primary Drive Gear	1	
17	DK 1011 53	Judder spring	1	
18	DK 1011 55	Spring	1	
19	DK 1013 56	Friction clutch plate kit	1	



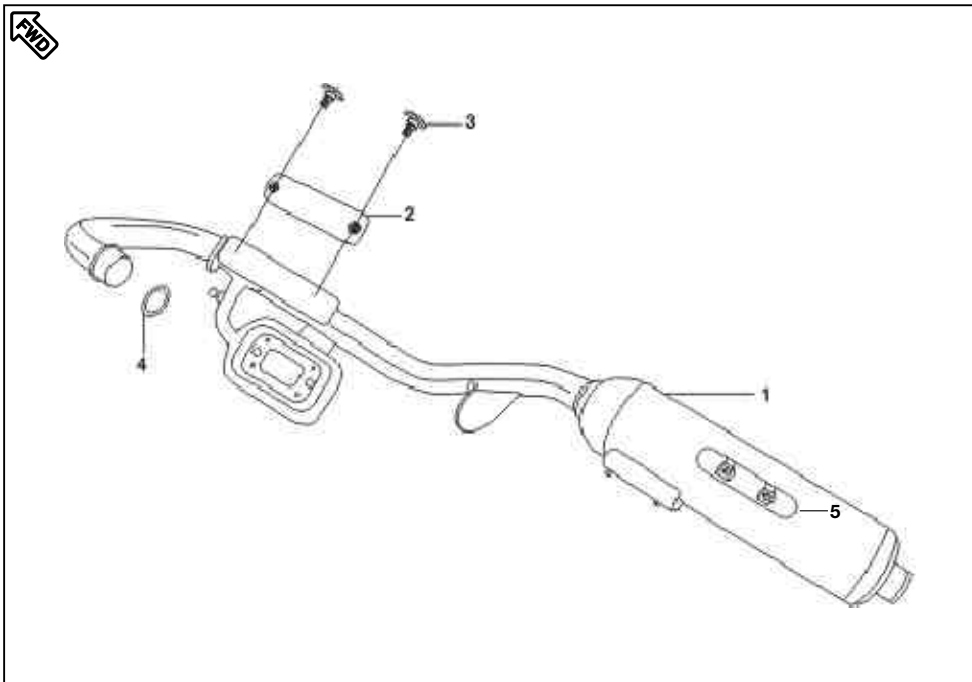
No.	Part No.	Description	Qty/ Veh.	Remarks
1	DK 1011 12	Oil cooler assembly	1	
2	DK 1012 25	Switch oil pressure	1	
3	39 1661 21	O ring	1	
4	DK 1012 38	Assembly oil cooler pipe	1	
5	39 1672 04	Bolt	1	
6	DK 1012 75	Pipe inlet oil cooler assly	1	
7	DK 1012 76	Pipe outlet oil cooler assly	1	
8	39 2637 04	Hexagon head screw	1	
9	DK 1012 36	Banjo bolt	2	
10	DK 1012 37	Gasket	2	
11	DK 1012 79	Copper washer	2	



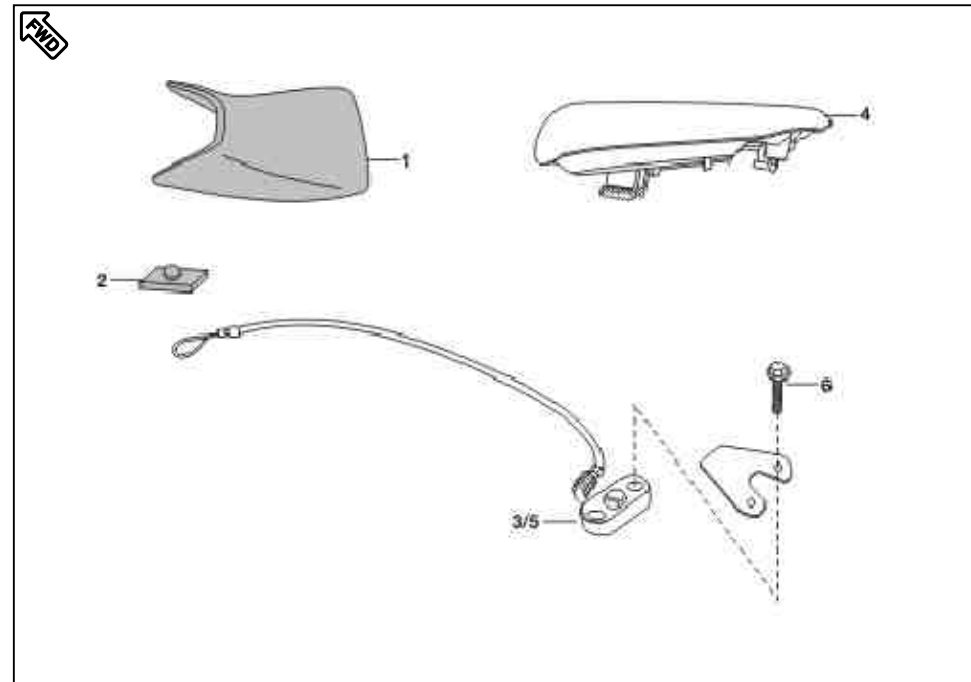
No.	Part No.	Description	Qty/ Veh.	Remarks
1	JC 1200 05	Carburettor Assly.	1	
2	DJ 1210 51	Vacuum Piston Kit	1	
3	DJ 1210 52	Idling Screw Kit	1	
4	JC 1200 09	Jet needle(JN)	1	
5	DJ 1210 53	"O" ring	1	
6	DJ 1210 54	Screw	2	
7	DJ 1210 55	Float Assly.	1	
8	JC 1200 11	Jet Holder	1	
9	JC 1200 06	Main jet	1	
10	JC 2010 06	Magnet Assly.	1	
11	JC 2010 05	Reed Switch Assly.	1	
12	39 1780 01	Pan Head Screw	2	
13	JC 1200 10	Needle Assly.	1	
14	DJ 1210 58	Set Adjuster (PS)	1	
15	DJ 1210 59	Set Plunger Assly.	1	
16	JC 1200 07	Air jet	1	N.I.



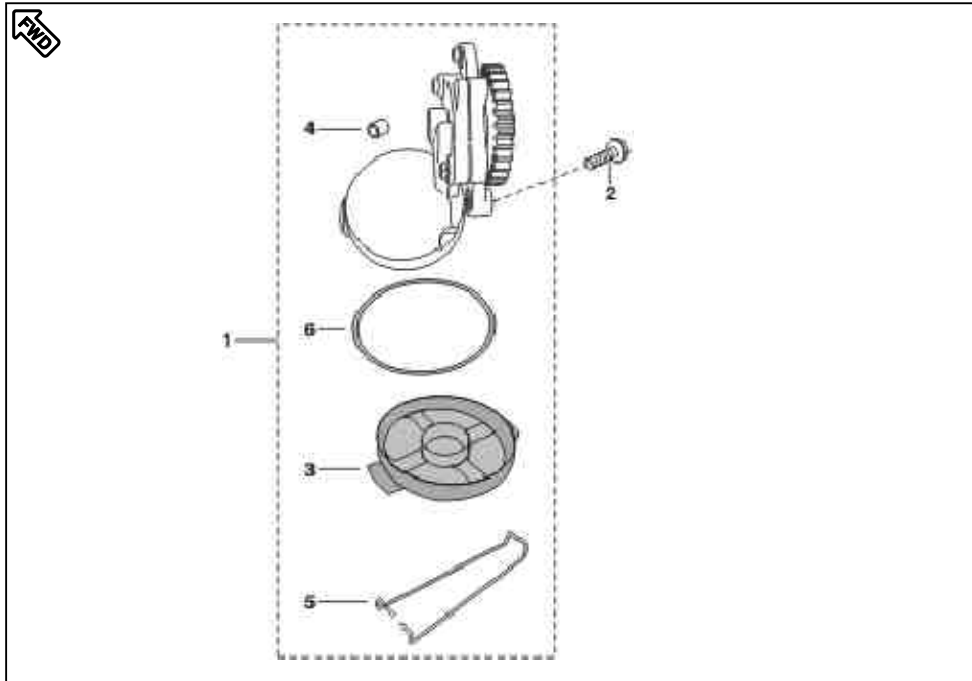
No.	Part No.	Description	Qty/ Veh.	Remarks
1	JC 1200 04	Air cleaner comp.	1	
2	DK 1210 09	Assly element filter	1	
3	DH 1210 20	Bracket lock	1	
4	39 1765 11	Plain washer	1	
5	39 0007 01	Hexagonal head screw	1	
6	JC 1200 02	Connecting tube	1	
7	CB 1210 14	Clamp	1	
8	DK 1110 10	IR sensor	1	
9	DK 1210 19	Intake air pump sensor	1	



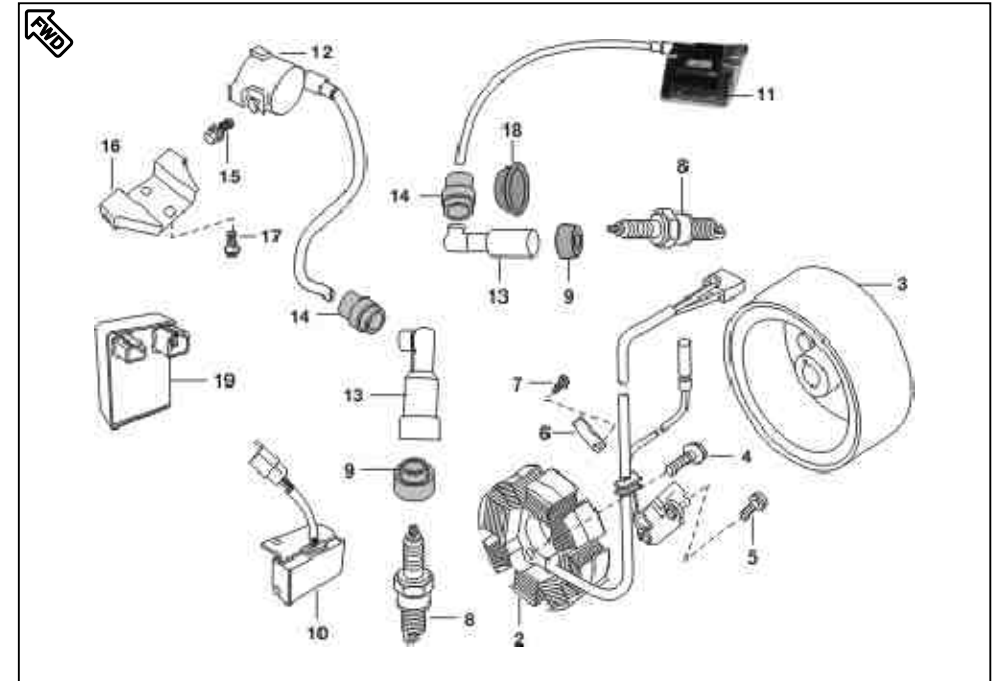
No.	Part No.	Description	Qty/ Veh.	Remarks
1	JC 1010 39	Silencer Assly.	1	without shield
2	DH 1016 08	Silencer front shield	1	
3	DH 1016 07	Truss screw	2	
4	DJ 1010 64	Gasket exhaust	1	



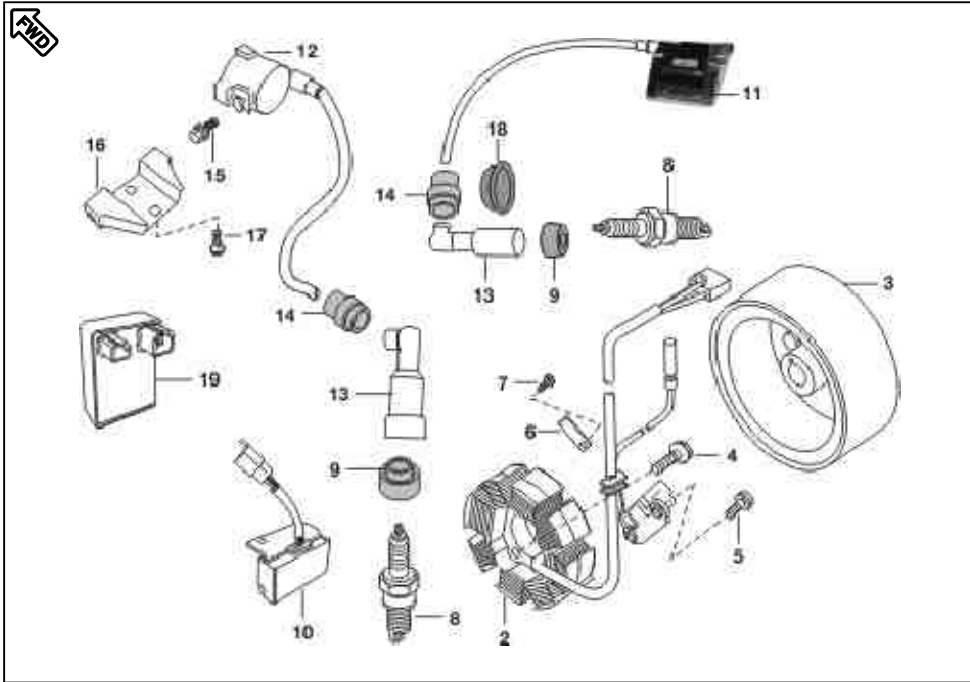
No.	Part No.	Description	Qty/ Veh.	Remarks
1	DK 2110 01	Seat Assly comp front	1	
2	DP 2110 09	Damper	2	
3	DH 1610 46	Lock Assly seat front	1	
4	DK 2110 04	Seat assly comp rear	1	
5	DK 2110 08	Lock assly seat rear	1	
6	39 1902 04	Bolt flange	2	



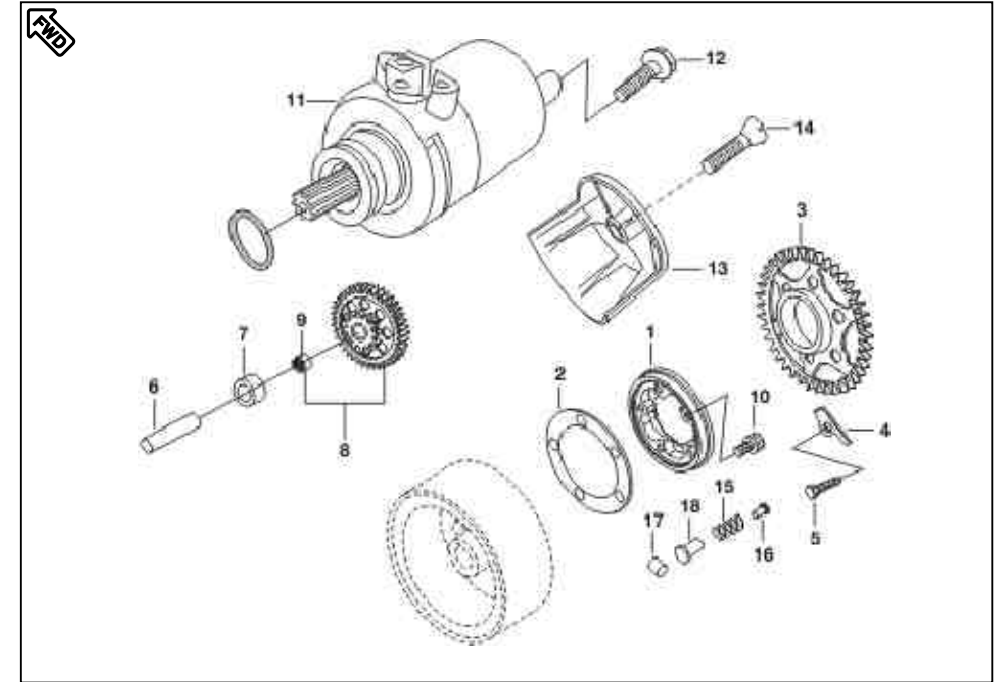
No.	Part No.	Description	Qty/ Veh.	Remarks
1	DH 1210 01	Oil Pump Assly	1	
2	39 1674 04	Hex. Bolt with flange	3	
3	DH 1210 10	Mesh filter Oil pump	1	
4	39 1686 06	Hollow dowel pin	1	
5	DH 1210 35	Clip Mesh Oil filter	1	
6	39 2194 21	'O' Ring	1	



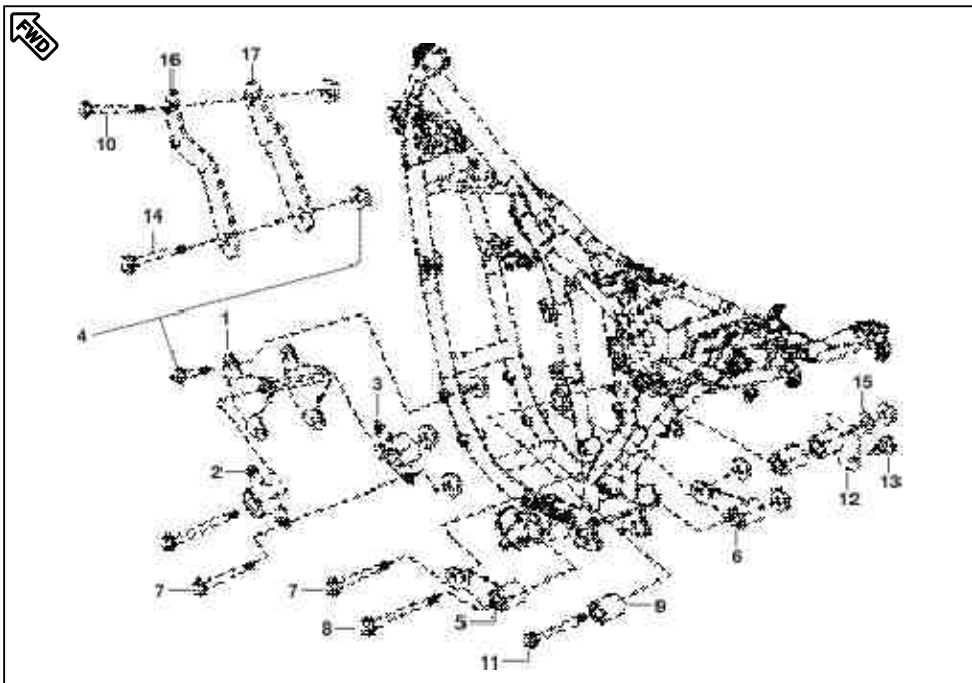
No.	Part No.	Description	Qty/ Veh.	Remarks
1	59 1000 02	Spring dowel	1	N.I.
2	DJ 1110 59	Stator Assly. comp	1	
3	DJ 1110 22	Rotor Assly.	1	
4	39 1674 04	Hex. Bolt with Flange	2	
5	39 0761 01	Pan Head Screw	2	
6	DH 1011 99	Stopper plate (wiring harness)	1	
7	39 0746 01	Screw Pan head	1	
8	DG 1110 08	Spark Plug	2	
9	DH 1110 13	Grommet Spark Plug	2	
10	DJ 2011 02	AC/DC Regulator	1	With Aluminum bracket
11	JC 1110 03	HT coil LH with cap	1	
12	JC 1110 04	HT coil RH with cap	1	
13	DH 1110 15	Cap Spark Plug	2	
14	DD 1110 12	Grommet H.T. Cable	2	
15	39 1944 04	Flange Bolt	4	



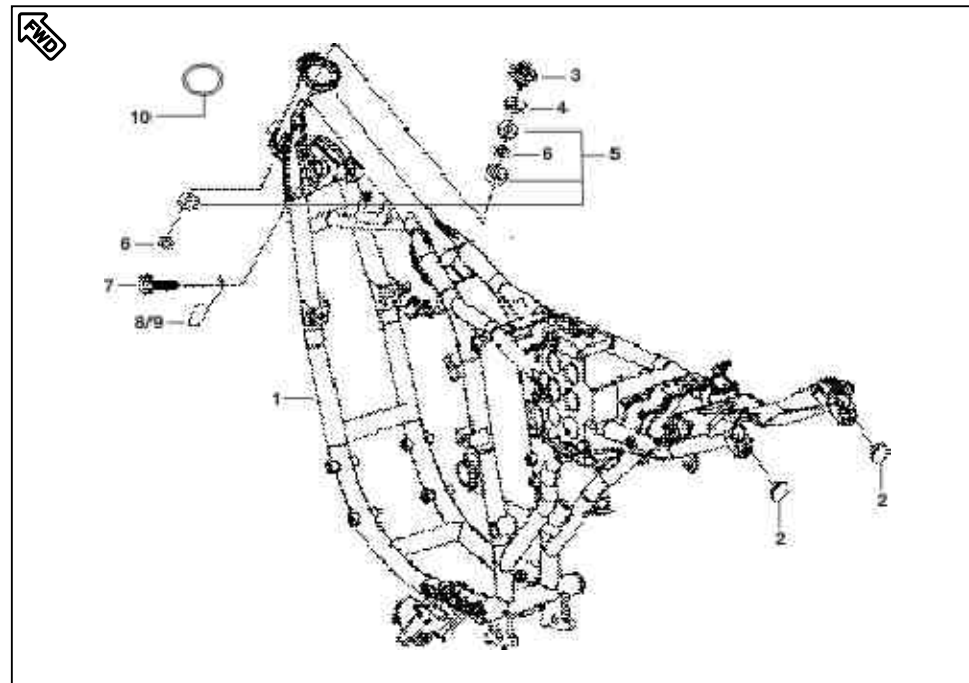
No.	Part No.	Description	Qty/ Veh.	Remarks
16	DJ 1610 67	Bracket H.T. Coil	1	
17	39 1944 04	Flange Bolt	2	
18	DH 1110 16	Grommet Sleeve Spark Plug	1	
19	DJ 1110 23	CDI analog type	1	



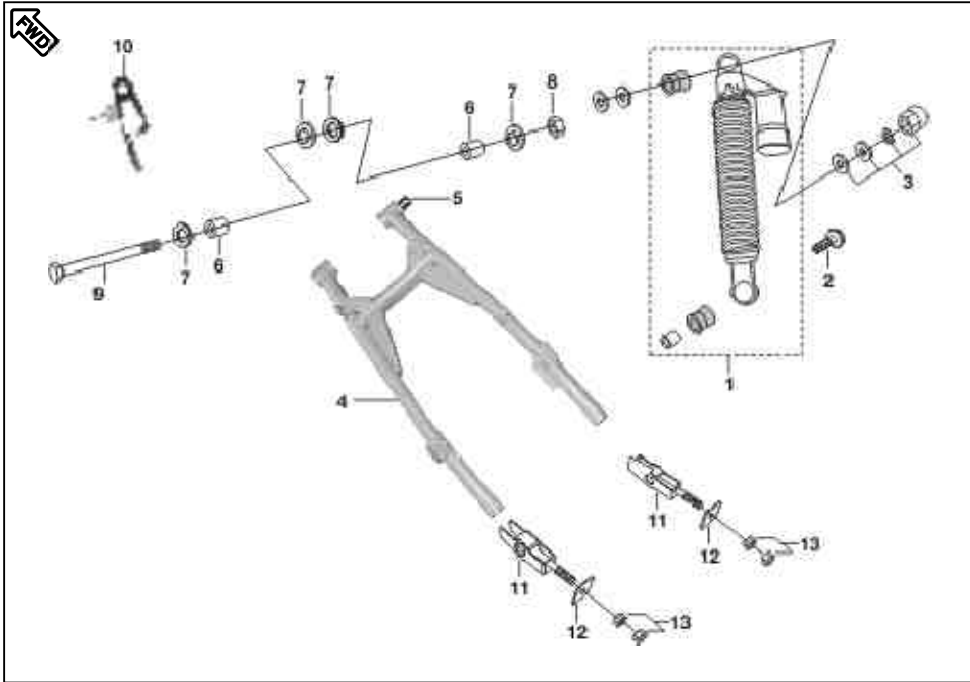
No.	Part No.	Description	Qty/ Veh.	Remarks
1	DH 1015 78	Body comp. starter clutch	1	
2	DH 1017 81	Plate roller clutch	1	
3	DH 1016 58	Gear starter clutch	1	
4	DH 1015 81	Plate starter clutch gear return	1	
5	DH 1013 85	Bolt	1	For stopper plate
6	DK 1011 76	Shaft starter counter	1	
7	DH 1011 72	Collar starter motor	1	
8	DH 1011 88	Gear comp. starter counter assly.	1	
9	59 2000 07	Needle roller bearing	1	
10	DH 1013 82	Bolt socket	3	
11	JC 1110 07	Motor assly. starter	1	
12	DS 1013 53	Bolt	2	
13	DJ 1012 78	Cover starter motor	1	
14	DH 1013 89	Slotted c'sunk screw	1	
15	DH 1011 64	Spring	5	
16	DJ 1011 09	Bush For Spring Starter	5	
17	DH 1011 63	Roller	5	
18	DH 1015 33	Bush Spring Starter Clutch	5	



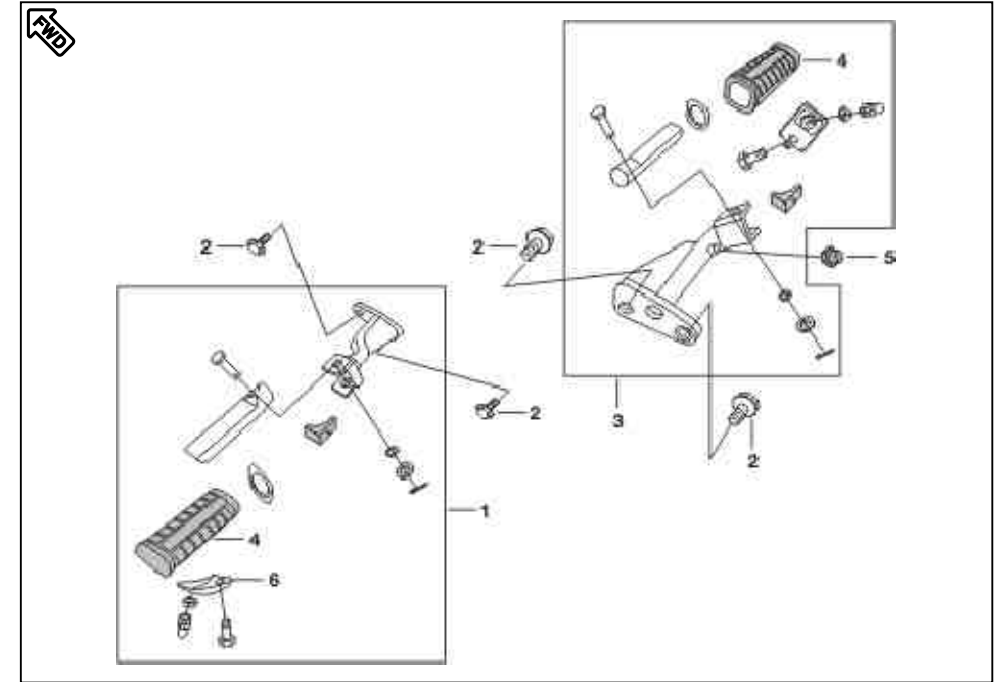
No.	Part No.	Description	Qty/ Veh.	Remarks
1	DK 1610 96	Bkt. Assly. eng. mtg. front	1	
2	DH 1611 89	Bkt. comp. LH eng. mtg. front	1	
3	DH 1611 90	Bkt. comp. RH eng. mtg. front	1	
4	36 DK00 11	Kit hardware eng. mounting	1	Refer Page No.60
5	DK 1611 59	Bkt. comp. LH eng. mtg. lower	1	
6	DK 1611 60	Bkt. comp. RH eng. mtg. lower	1	
7	39 2157 04	Bolt Flanged	3	
8	39 2412 04	Bolt Flanged	1	Alt. 39 2311 04
9	DH 1612 73	Bush in frame	1	
10	39 1967 04	Bolt	1	
11	39 2414 04	Hex. soc. hd. cap bolt	1	
12	DK 1611 61	Bkt. comp. RH eng. rear	1	
13	39 2310 04	Flanged bolt	2	
14	39 2311 04	Bolt	1	
15	39 2457 11	Washer	1	
16	DK 1611 27	Bkt. Engine hanger LH	1	
17	DK 1611 28	Bkt. Engine hanger RH	1	



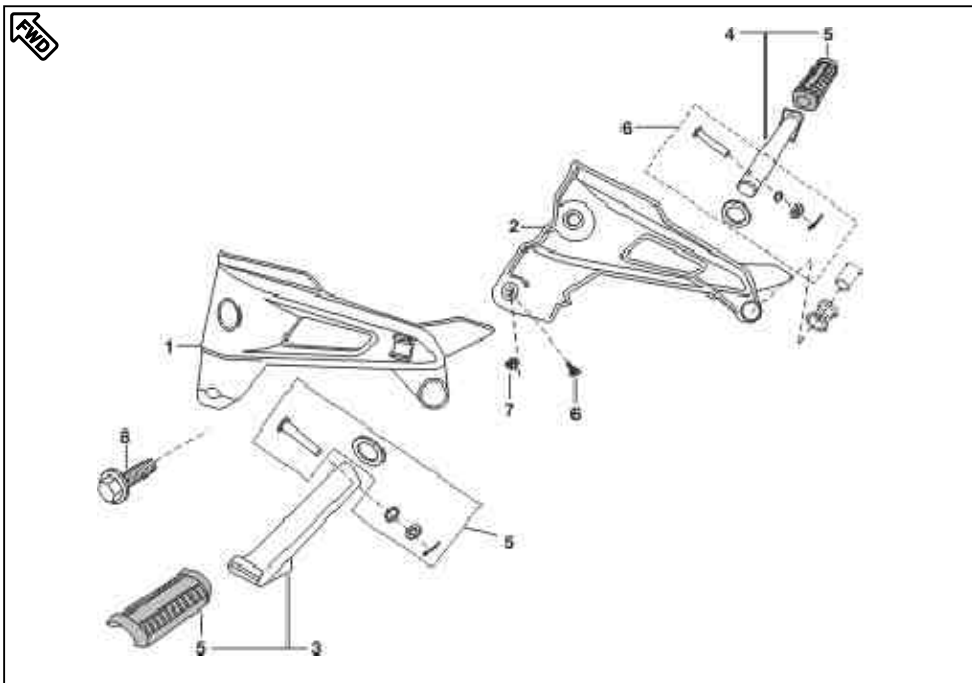
No.	Part No.	Description	Qty/ Veh.	Remarks
1	JC 1610 22	Frame Assly. comp.	1	Incl. Bush, Races & Cup rear
2	DH 1611 12	Cup rear	2	
3	DG 1810 48	Nut	1	
4	DG 1810 42	Cup - Steering	1	
5	36 DV00 07	Bearing Cone Kit	1	Refer Page No.60
6	30 1012 36	Ball steel	39	
7	39 1680 04	Flanged bolt	2	
8	DJ 1611 32	Cable Hook LH	1	
9	DJ 1611 33	Cable Hook RH	1	
10	DJ 1011 80	Hall sensor assly	1	
11	DJ 2011 81	Magnet	1	N.I.
12	JC 1610 27	Guide clutch cable	1	N.I.



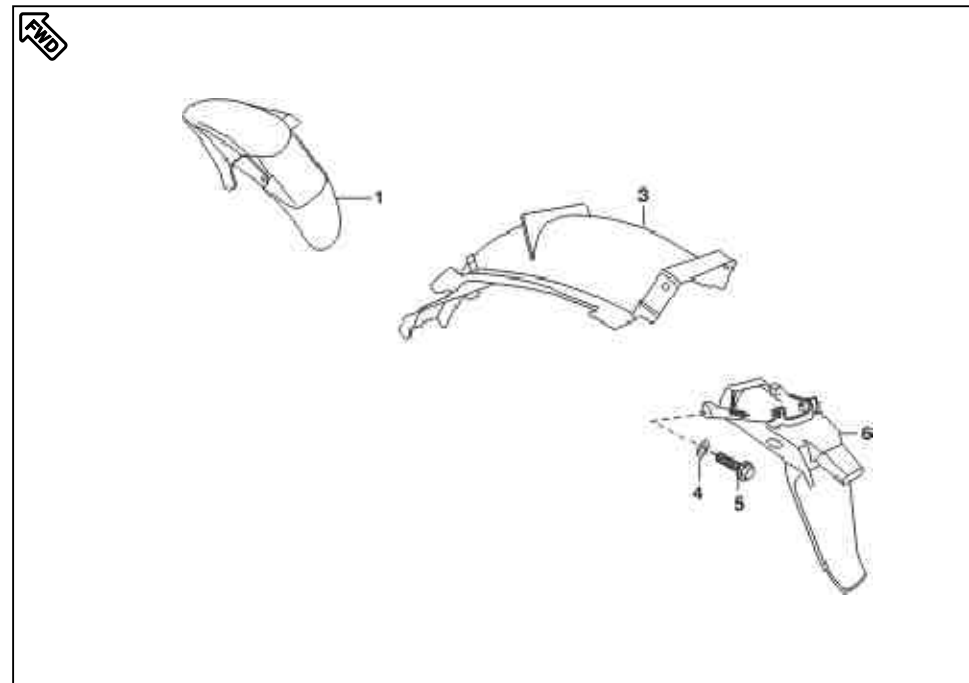
No.	Part No.	Description	Qty/ Veh.	Remarks
1	JC 1710 03	Rear Shock Absorber	2	
2	DG 1710 38	Bolt Pre-coated	2	
3	36 DK00 12	Kit bush rear shock	1	Refer Page No.60
4	JC 1710 02	Swing arm assly.	1	
5	DG 1710 18	Needle bearing	2	
6	DK 1710 06	Collar swing arm	2	
7	DG 1710 19	Oil seal	4	
8	DH 1710 19	'U' nut swing arm	1	
9	DK 1710 03	Shaft swing arm	1	
10	DG 1710 34	Chain slider	1	
11	DG 1710 21	Adjuster chain	2	
12	DG 1710 20	Plate chain adjuster	2	
13	39 0292 15	Hexagon nut	4	



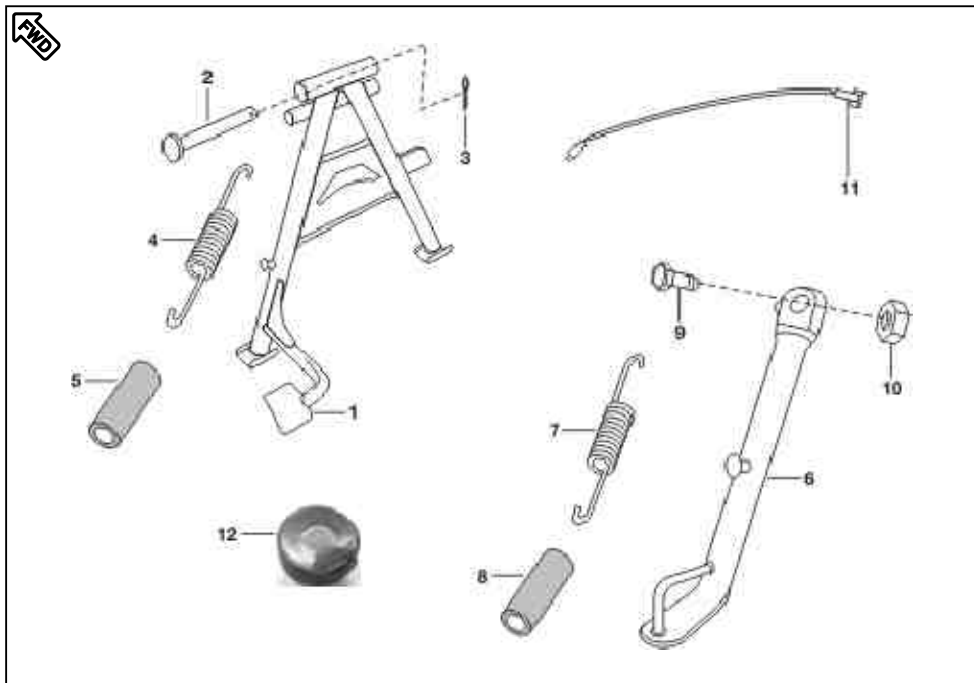
No.	Part No.	Description	Qty/ Veh.	Remarks
1	DJ 1611 26	Main step LH assly. comp.	1	
2	22 1504 51	Flange bolt	4	
3	DJ 1611 27	Main step RH assly. comp.	1	
4	DH 1610 53	Rubber main step	2	
5	DH 1611 94	Kick stopper	1	
6	DX 1610 67	Plate lock pillion step	2	
7	DH 1611 00	Spacer main step	2	



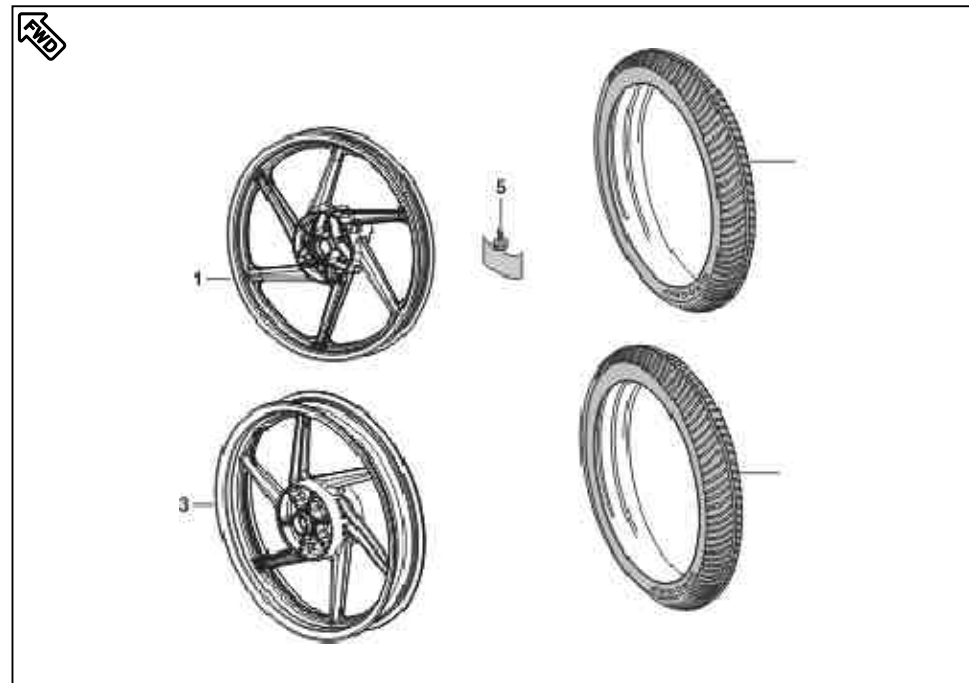
No.	Part No.	Description	Qty/ Veh.	Remarks
1	DK 1611 37	Holder LH step	1	
2	JC 1610 02	Holder RH step	1	
3	DJ 1611 28	Pillion step assly. comp. LH	1	
4	DJ 1611 29	Pillion step assly. comp. RH	1	
5	36 DK00 13	Kit hardware pillion	2	Refer Page No.60
6	39 1069 01	Hexagonal head screw	2	
7	39 0292 15	Nut	1	
8	39 1741 04	Flanged Bolt	2	Bott. Mtg. LH & RH Holder Step



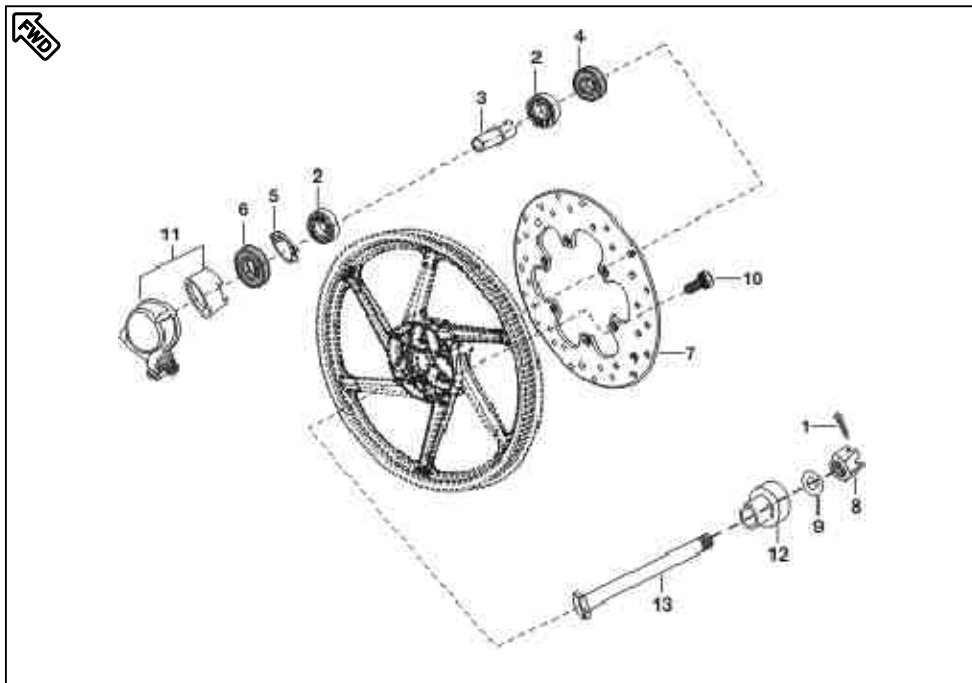
No.	Part No.	Description	Qty/ Veh.	Remarks
1	DK 1610 98	Brace fender	1	
2	59 0400 40	Step bolt	4	
3	DK 1610 86	Fender rear front	1	
4	39 0711 11	Plain washer	4	
5	39 1680 04	Flange bolt	2	
6	DK 1610 85	Fender rear	1	
7	DK 1611 98	Mud flap front	1	



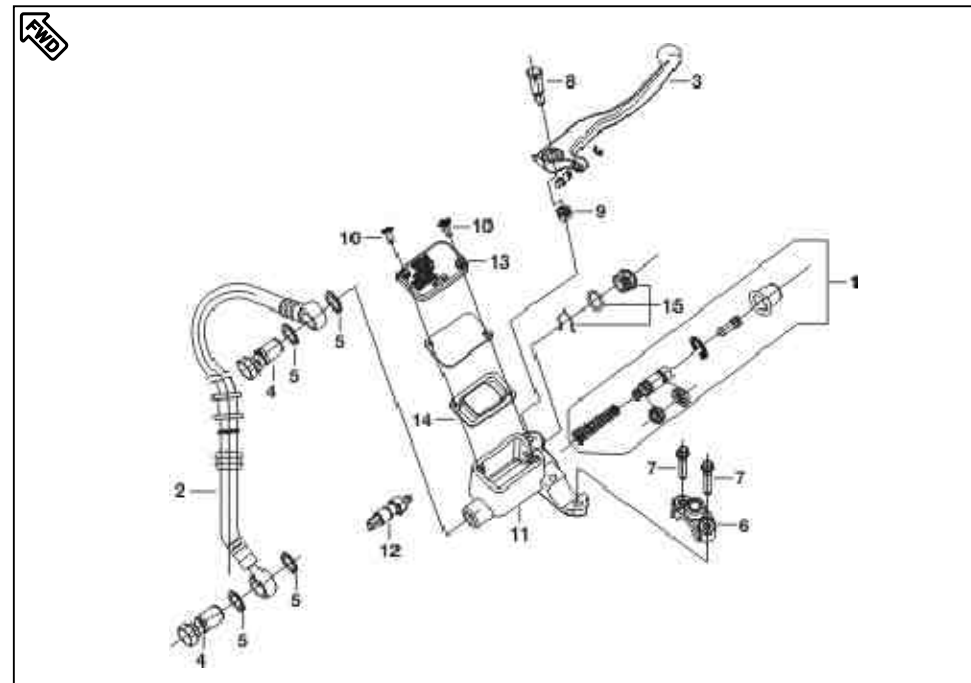
No.	Part No.	Description	Qty/ Veh.	Remarks
1	DK 1611 22	Stand main	1	
2	30 1611 57	Shaft stand	1	
3	39 0787 08	Pin cotter	1	
4	DH 1611 21	Spring main stand	1	
5	DH 1611 45	Cover spring main stand	1	
6	DK 1611 36	Stand side	1	
7	DH 1610 66	Spring side stand	1	
8	DH 1611 46	Cover spring side stand	1	
9	DF 1611 02	Bolt	1	
10	39 0422 15	Nut	1	
11	DH 2010 64	Side stand switch	1	
12	DH 2010 65	Magnet assly.	1	N.I.



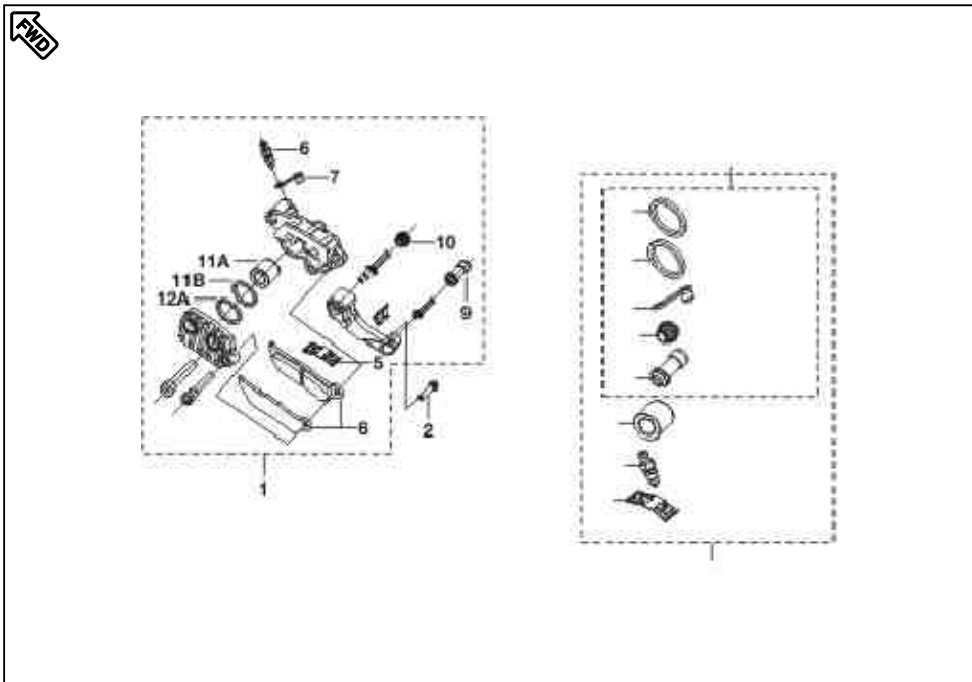
No.	Part No.	Description	Qty/ Veh.	Remarks
1	JC 1510 13	Wheel rim front	1	
2	DK 1510 06	Tubeless tyre front	1	Not serviceable
3	JC 1510 09	Wheel rim rear	1	
4	DK 1510 07	Tubeless tyre rear	1	Not serviceable
5	DK 1510 26	Valve for tubeless tyre	1	



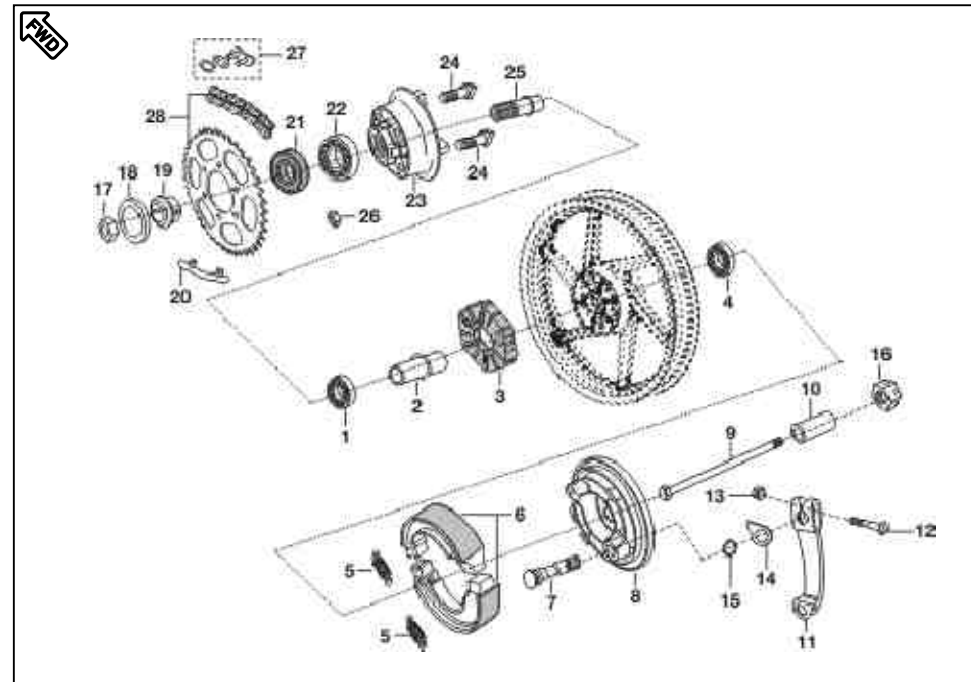
No.	Part No.	Description	Qty/ Veh.	Remarks
1	39 0787 08	Pin cotter	1	
2	39 2362 20	Bearing ball	2	
3	DK 1510 28	Spacer assly.	1	
4	DG 1510 05	Seal oil	1	
5	DE 1510 12	Plate drive	1	
6	DE 1510 08	Seal oil	1	
7	DK 1510 27	Disc	1	
8	39 0786 15	Hex. slotted nut	1	
9	39 0781 11	Plain washer	1	
10	DG 1510 49	Hex. soc. hd. bolt	6	
11	DK 2010 31	Sensor speedometer	1	
12	DG 1510 07	Collar	1	
13	DK 1510 08	Axle	1	



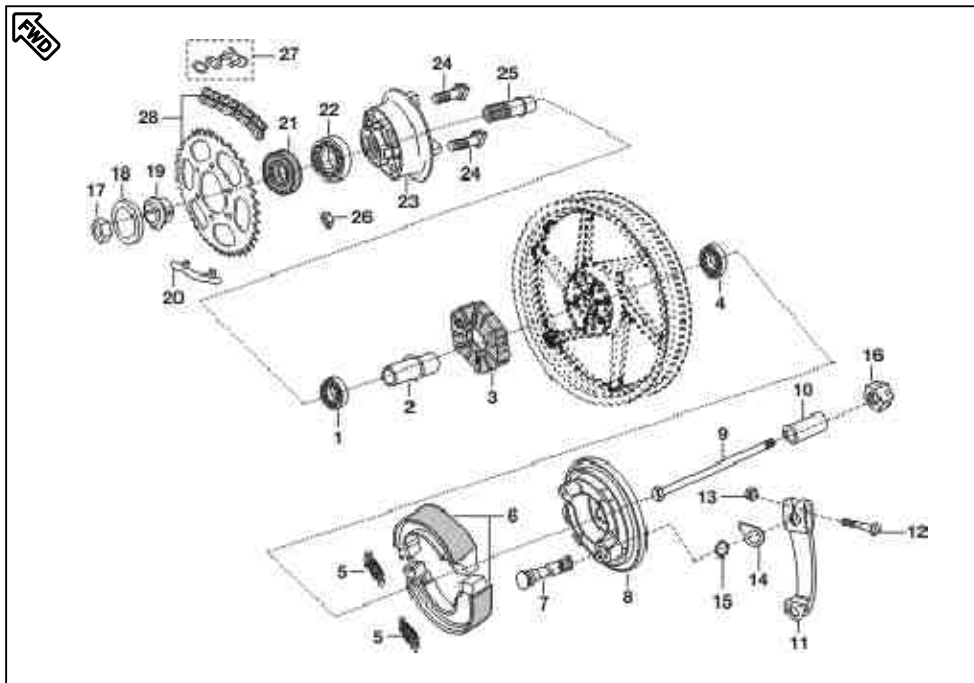
No.	Part No.	Description	Qty/ Veh.	Remarks
1	DE 1510 15	Major Kit - Master Cylinder	1	
2	DJ 1510 76	Hose Brake Front	1	
3	DJ 1910 06	Lever Grip RH	1	
4	DE 1910 11	Banjo Bolt	2	
5	DE 1910 10	Washer Copper	4	
6	DE 1910 37	Clamp Holder RH	1	
7	DJ 1910 28	Bolt	1	
8	DJ 1910 29	Bolt Front Brake Lever	1	
9	DJ 1910 30	Nut Flanged	1	
10	DJ 1910 31	Screw	2	
11	DJ 1910 32	Cylinder Master	1	
12	DJ 2011 00	Front brake switch	1	
13	DJ 1910 34	Reservoir Cover	1	
14	DJ 1910 35	Diaphragm	1	
15	36 DH19 02	Oil Window Kit	1	



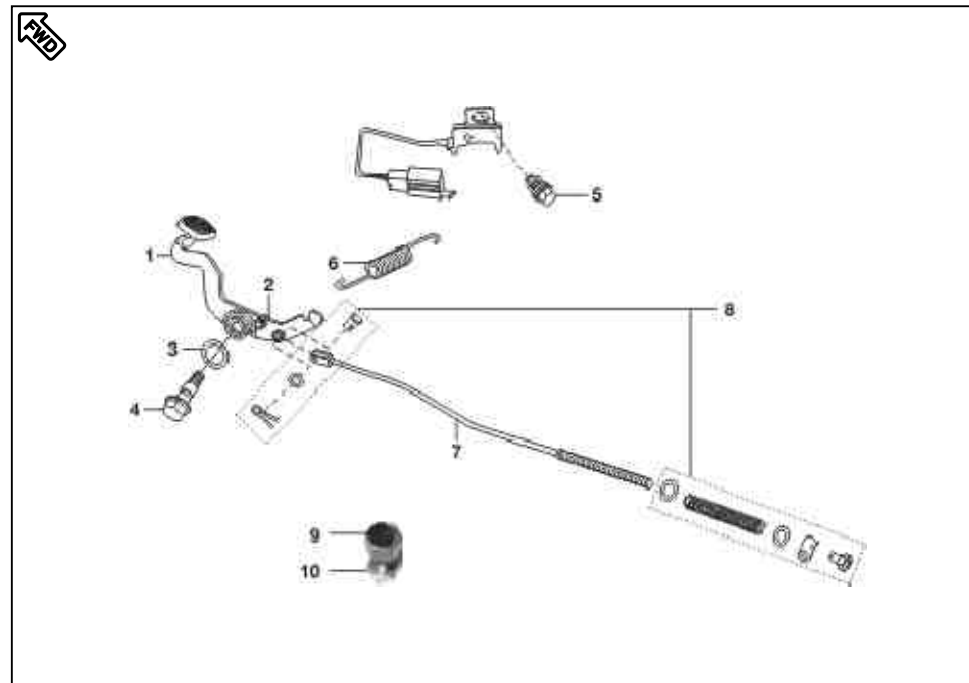
No.	Part No.	Description	Qty/ Veh.	Remarks
1	DG 1510 89	Caliper Assly. Front	1	
2	39 1769 04	Bolt Flanged	2	
3	DJ 1510 68	Spring Pad	1	
4	DJ 1510 69	Bleeder Screw	1	
5	DJ 1510 70	Bleeder Cap	1	
6	DJ 1510 71	Disc Pad Set	1	
7	DJ 1510 72	Insulator	1	
8	DJ 1510 73	Protection Boot	1	
9	DJ 1510 74	Minor Kit - Caliper	1	
10	DJ 1510 75	Major Kit - Caliper	1	



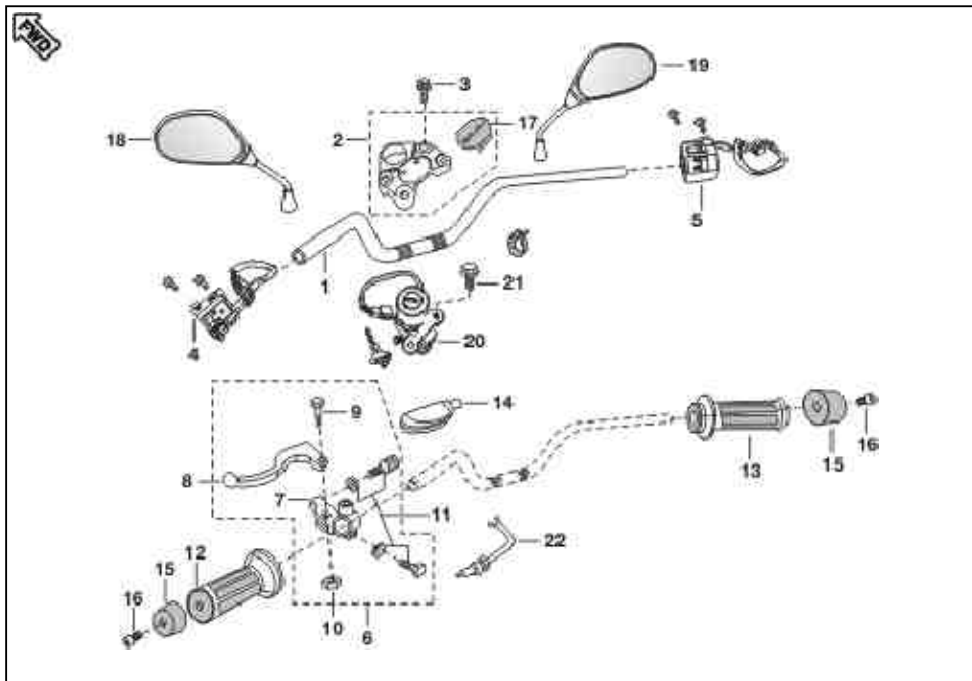
No.	Part No.	Description	Qty/ Veh.	Remarks
1	39 2242 20	Bearing ball	1	
2	DK 1510 22	Collar bearing	1	
3	DJ 1510 88	Damper	1	
4	39 2241 20	Bearing ball	1	
5	30 1510 69	Spring	2	
6	30 1510 68	Shoe brake assly.	1	
7	JC 1510 04	Cam brake	1	
8	JC 1510 02	Panel rear brake	1	
9	DK 1510 09	Axle	1	
10	JC 1510 11	Spacer panel side	1	
11	JC 1510 07	Lever cam brake	1	
12	39 2447 04	Hexagon head bolt	1	
13	39 0798 15	Nut	1	
14	JC 1510 06	Indicator	1	
15	30 1510 38	"O" ring	1	



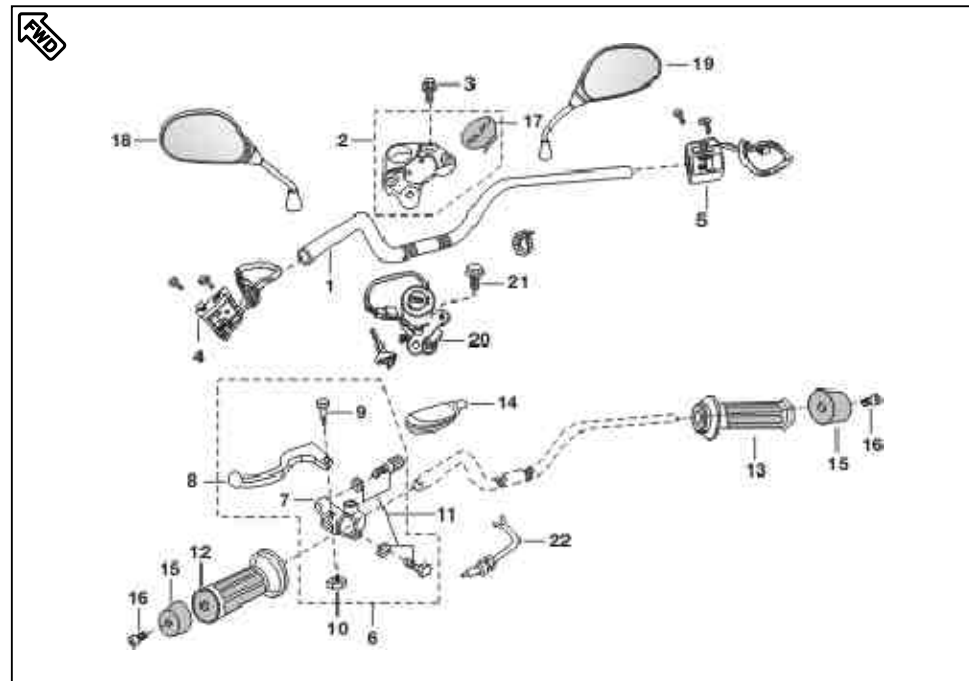
No.	Part No.	Description	Qty/ Veh.	Remarks
16	DH 1710 19	'U' nut	1	
17	39 1997 15	Nut	2	
18	39 1224 11	Plain washer	2	
19	DK 1510 14	Spacer for coupling	1	
20	DS 1510 74	Lock washer	3	
21	DK 1510 12	Seal oil	1	
22	DK 1510 13	Bearing ball	1	
23	DK 1510 05	Coupling	1	
24	DS 1510 73	Stud	6	
25	DK 1510 15	Sleeve	1	
26	39 0794 15	Hex. lock nut	6	
27	DK 1510 36	Drive Chain Lock	1	
28	36 JC00 02	Chain Sprocket kit	1	Refer Page No.60



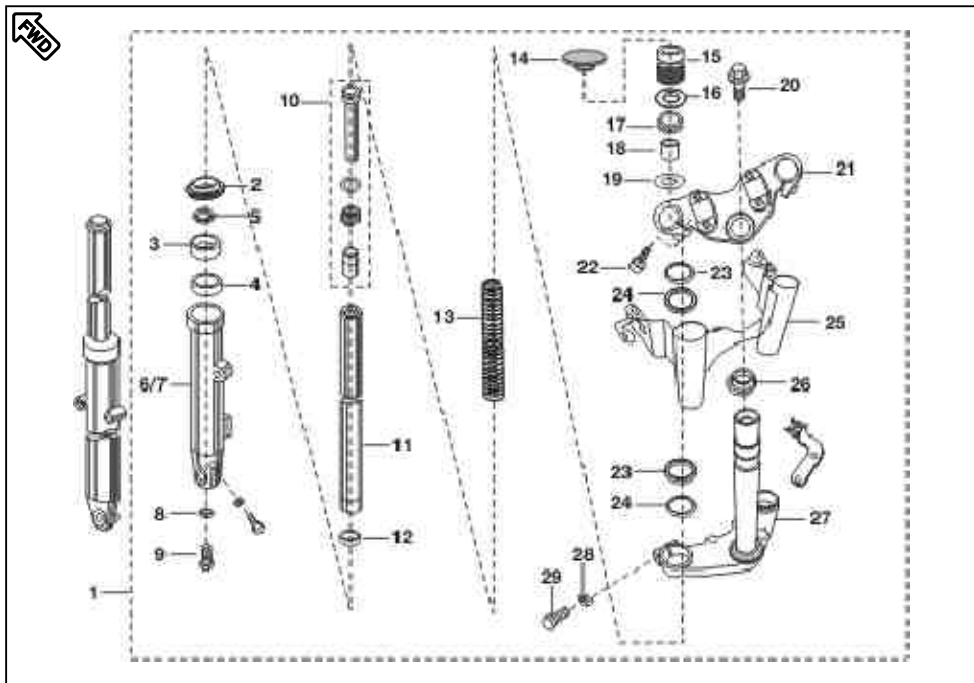
No.	Part No.	Description	Qty/ Veh.	Remarks
1	JC 1910 01	Lever Brake Pedal	1	
2	DK 1011 86	Bolt pivot lever change	1	
3	DK 1011 85	Washer pivot bolt	1	
4	JC 1910 09	Collar pivot bolt	1	
5	39 2383 15	Flange nut	1	
6	JC 1910 10	Spring brake pedal	1	
7	JC 1910 02	Rod brake	1	
8	36 DK00 31	Kit hardware rod brake	1	Refer Page No.61
9	JC 2010 06	Magnet rear brake switch	1	
10	JC 2010 16	Rear brake switch magnet bolt	1	



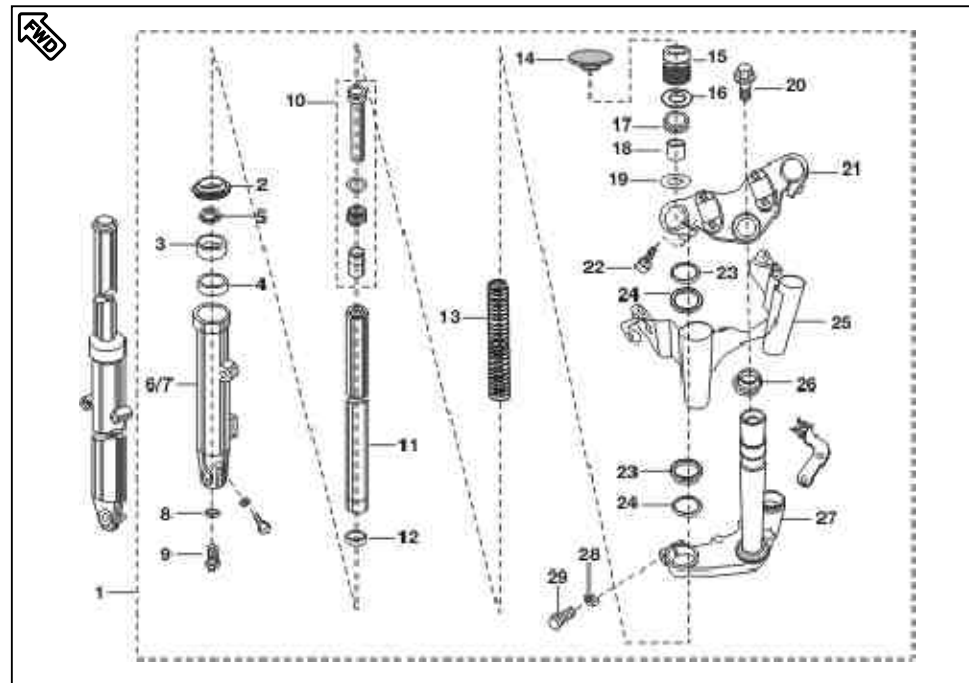
No.	Part No.	Description	Qty/ Veh.	Remarks
1	JC 1810 05	Handle Bar	1	
2	DH 1810 53	Holder Handle	1	
3	39 1714 04	Flanged bolt	4	
4	DH 2010 48	Control switch LH	1	
5	DH 2010 51	Control switch RH	1	
6	DJ 1910 09	Lever assly. grip LH	1	
7	DJ 1910 54	Holder left hand	1	
8	DJ 1910 55	Lever grip left	1	
9	DD 1910 85	Bolt	1	
10	39 1184 15	Self locking nut	1	
11	36 DK00 19	Kit hardware holder LH	1	Refer Page No. 61
12	DH 1910 07	Grip LH	1	
13	DH 1910 17	Grip Assly. RH	1	
14	DH 1910 19	Boot for lever	1	
15	DJ 1810 11	Handle bar weight	2	



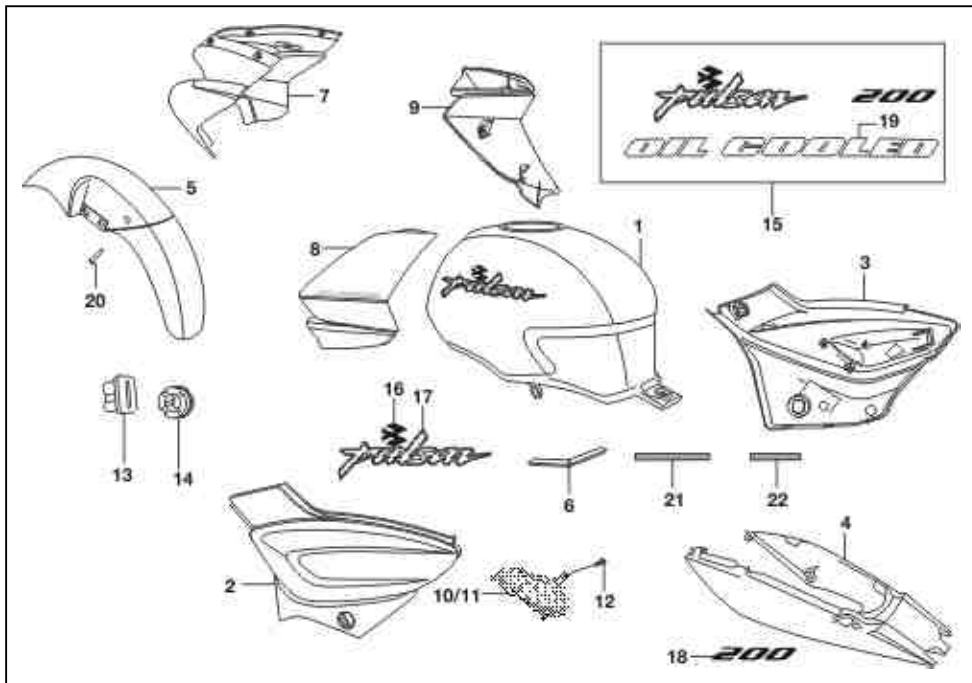
No.	Part No.	Description	Qty/ Veh.	Remarks
16	DH 1810 40	Hex. soc. hd. cap screw	2	Alt. 39 2427 04
17	DJ 1810 39	Pad Holder Handle	1	
18	DJ 2210 03	Mirror assly. LH	1	
19	DJ 2210 04	Mirror assly. RH	1	
20	DS 1810 22	Switch assly. ignition	1	
21	39 1943 04	Flange bolt	2	
22	DK 2010 64	Clutch Switch	1	
	DK 2010 83	Clutch Switch (6 Amp.)	1	For solenoid relay July 08



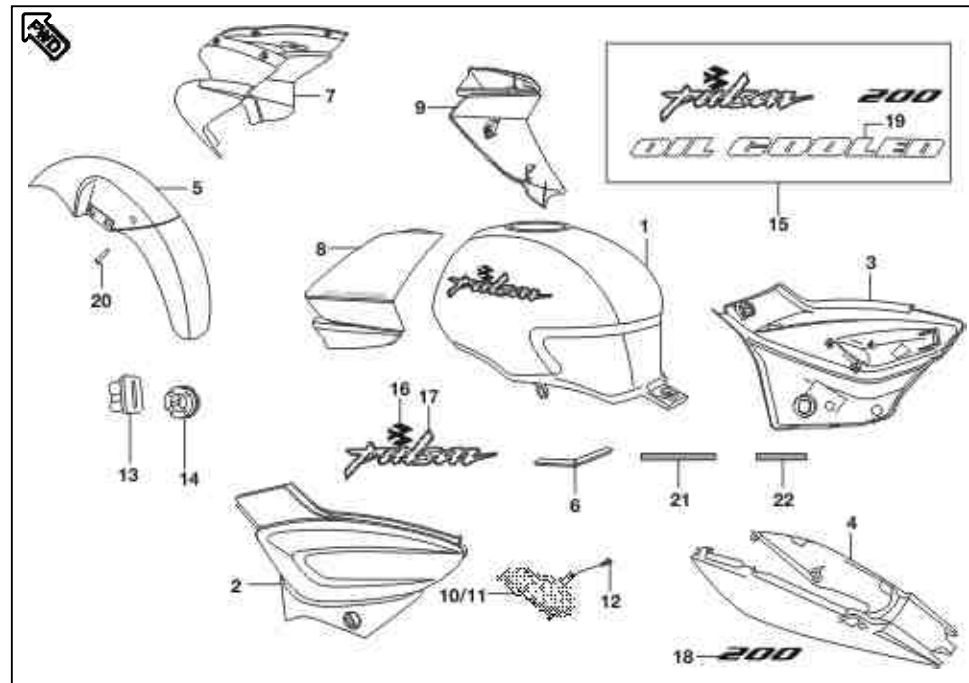
No.	Part No.	Description	Qty/ Veh.	Remarks
1	JC 1810 01	Fork front	1	
2	DG 1810 21	Dust seal	1	
3	DG 1810 23	Oil seal	2	
4	DG 1810 13	Guide bush	2	
5	DG 1810 22	Ring snap	1	
6	JC 1810 11	Outer Tube LH	1	
7	JC 1810 12	Outer Tube RH	1	
8	30 1810 26	Gasket	2	
9	30 1810 25	Bolt	2	
10	DS 1810 77	Cylinder comp. fork	2	
11	JC 1810 21	Pipe comp. suspension inner	2	
12	DG 1810 11	Slide Bush	2	
13	JC 1810 17	Spring front fork	2	
14	DH 1810 09	Grommet Top	2	
15	DH 1810 15	Bolt fork	2	



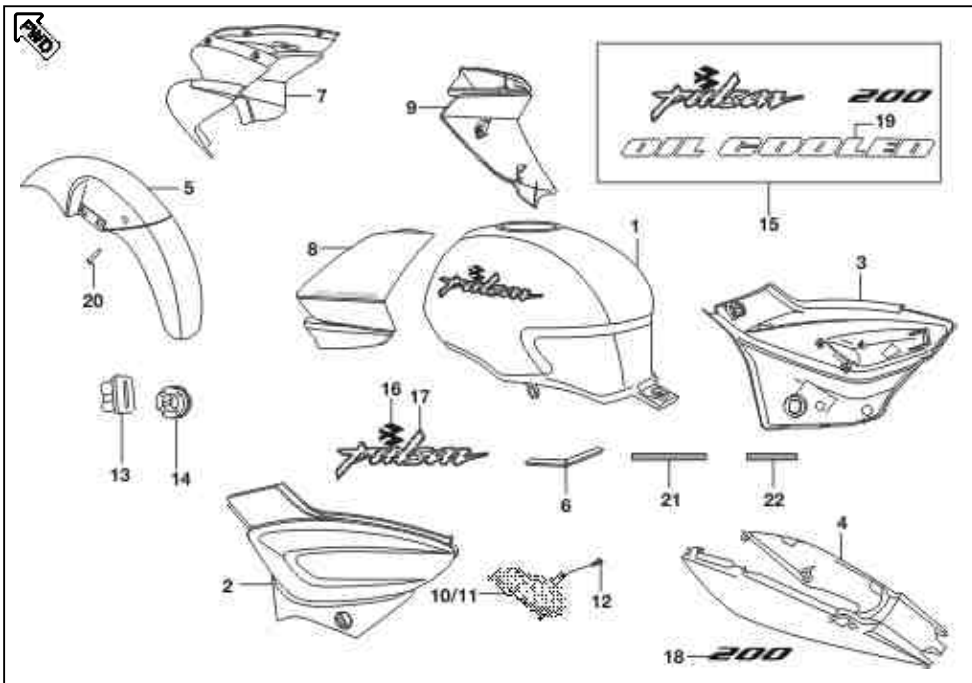
No.	Part No.	Description	Qty/ Veh.	Remarks
16	30 1810 29	'O' ring	2	
17	30 1810 28	Seat fork spring	2	
18	DS 1810 85	Spacer Tube	2	
19	DG 1810 03	Washer	2	
20	59 0400 05	Bolt	1	
21	JC 1810 02	Holder fork upper	1	
22	DG 1810 08	Socket Bolt	2	
23	JC 1810 07	Cushion Rubber	2	
24	JC 1810 06	Cover Trail B	4	
25	52 JC00 19	Lamp Shade asly.	1	
26	DG 1810 45	Bearing cone	1	
27	JC 1810 03	Holder fork under	1	
28	39 0789 12	Spring washer	2	
29	39 1813 04	Bolt	2	



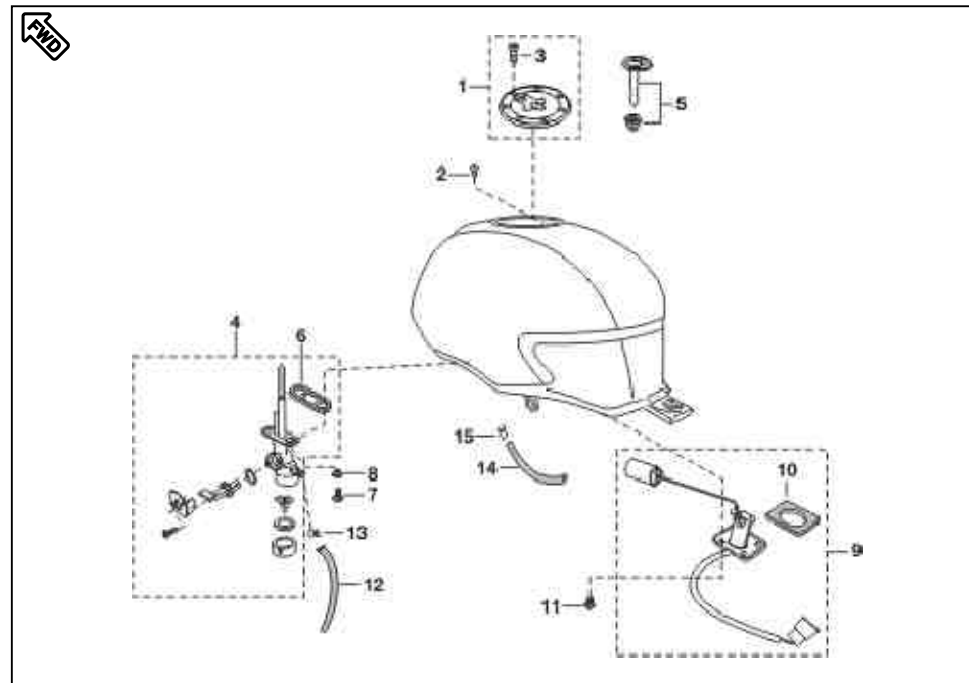
No.	Part No.	Description	Qty/ Veh.	Remarks
1	JC 7101 2T	Fuel Tank	1	FOR TITANIUM SILVER
	JC 7101 2V	Fuel Tank	1	FOR COCKTAIL WINE RED
	JC 7101 3A	Fuel Tank	1	FOR LONG BEACH BLUE
	JC 7101 X3	Fuel Tank	1	FOR EBONY BLACK
2	DK 7301 2T	Side cover LH	1	FOR TITANIUM SILVER
	DK 7301 2V	Side cover LH	1	FOR COCKTAIL WINE RED
	DH 7301 3A	Side cover LH	1	FOR LONG BEACH BLUE
	DH 7301 X3	Side cover LH	1	FOR EBONY BLACK
3	DK 7302 2T	Side cover RH	1	FOR TITANIUM SILVER
	DK 7302 2V	Side cover RH	1	FOR COCKTAIL WINE RED
	DK 7302 3A	Side cover RH	1	FOR LONG BEACH BLUE
	DK 7302 X3	Side cover RH	1	FOR EBONY BLACK
4	DK 7303 2T	Seat Cowl Assly.	1	FOR TITANIUM SILVER
	DK 7303 2V	Seat Cowl Assly.	1	FOR COCKTAIL WINE RED
	DK 7303 3A	Seat Cowl Assly.	1	FOR LONG BEACH BLUE
	DK 7303 X3	Seat Cowl Assly.	1	FOR EBONY BLACK



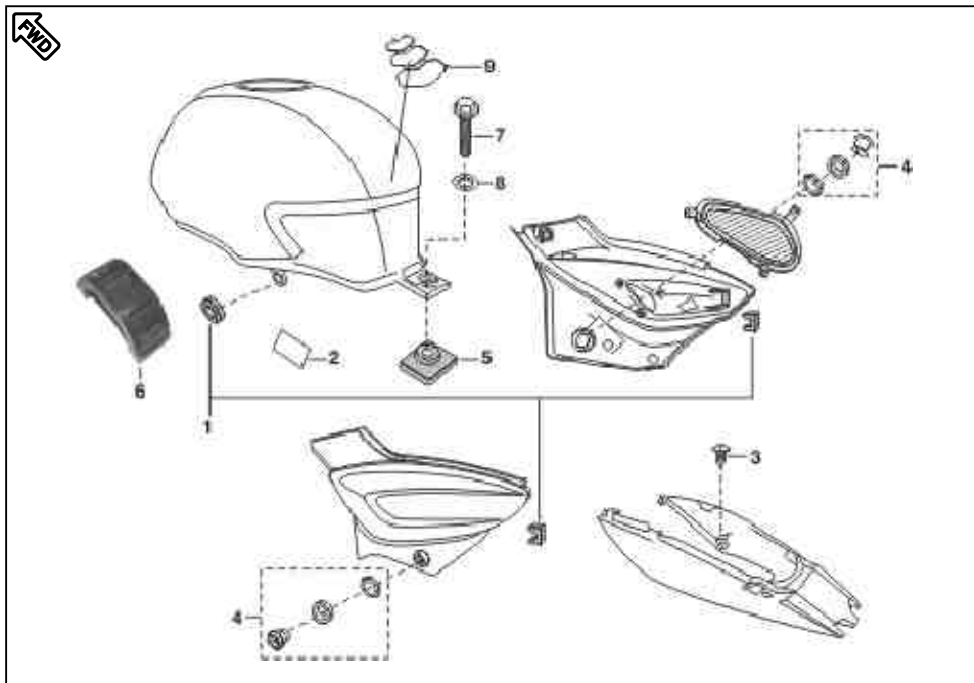
No.	Part No.	Description	Qty/ Veh.	Remarks
5	DK 7402 2T	Front Fender	1	FOR TITANIUM SILVER
	DK 7402 2V	Front Fender	1	FOR COCKTAIL WINE RED
	DK 7402 3A	Front Fender	1	FOR LONG BEACH BLUE
	DK 7402 X3	Front Fender	1	FOR EBONY BLACK
6	DH 1410 20	Seat tape	1	
7	DJ 7401 2T	Fairing	1	FOR TITANIUM SILVER
	DJ 7401 2V	Fairing	1	FOR COCKTAIL WINE RED
	DJ 7401 3A	Fairing	1	FOR LONG BEACH BLUE
	DJ 7401 X3	Fairing	1	FOR EBONY BLACK
8	JC 7201 2T	Tank flap LH	1	FOR TITANIUM SILVER
	JC 7201 2V	Tank flap LH	1	FOR COCKTAIL WINE RED
	JC 7201 3A	Tank flap LH	1	FOR LONG BEACH BLUE
	JC 7201 X3	Tank flap LH	1	FOR EBONY BLACK



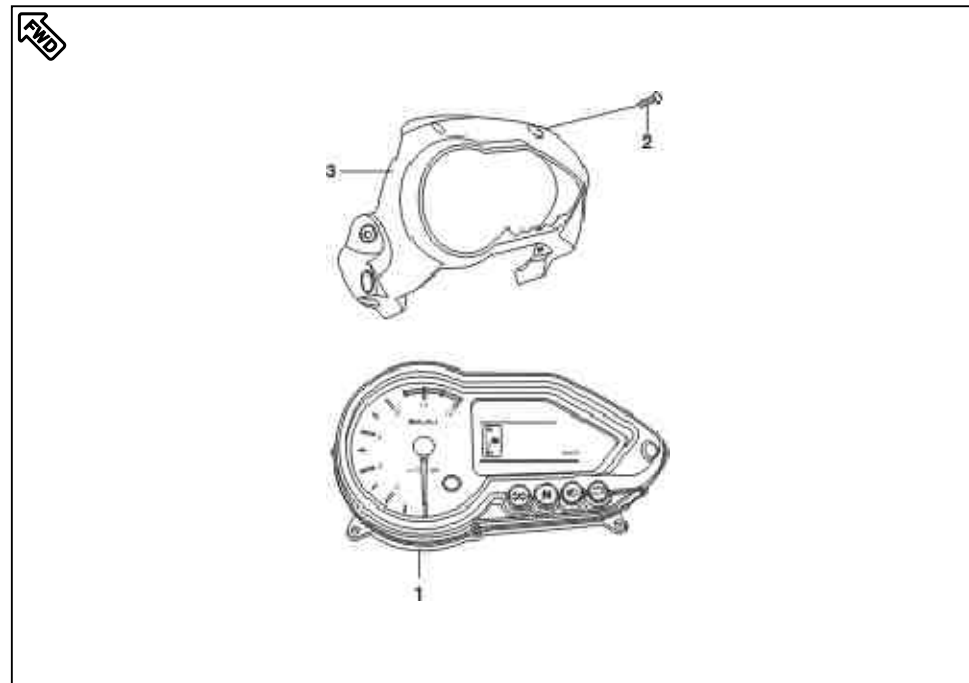
No.	Part No.	Description	Qty/ Veh.	Remarks
9	JC 7202 2T	Tank flap RH	1	FOR TITANIUM SILVER
	JC 7202 2V	Tank flap RH	1	FOR COCKTAIL WINE RED
	JC 7202 3A	Tank flap RH	1	FOR LONG BEACH BLUE
	JC 7202 X3	Tank flap RH	1	FOR EBONY BLACK
10	DK 1611 23	Cover Side Mesh LH	1	
11	DK 1611 24	Cover Side Mesh RH	1	
12	59 0200 01	Self tap screw	6	
13	JC 1410 15	Grommet	2	
14	JC 1410 17	Grommet	4	
15	36 JC00 01	Decal set	1	Refer page No. 61
16	DK 1410 26	'B' monogram for tank	2	
17	DK 1410 27	Pulsar monogram for tank	2	
18	JC 1610 19	Seat cowl decal	2	
19	JC 1410 18	Oil cooler decal	2	
20	DJ 1610 69	Nail guide cable	1	N.I. (From June 08)
21	DK 1612 09	Foam Tape I	4	
22	DK 1612 10	Foam Tape II	2	



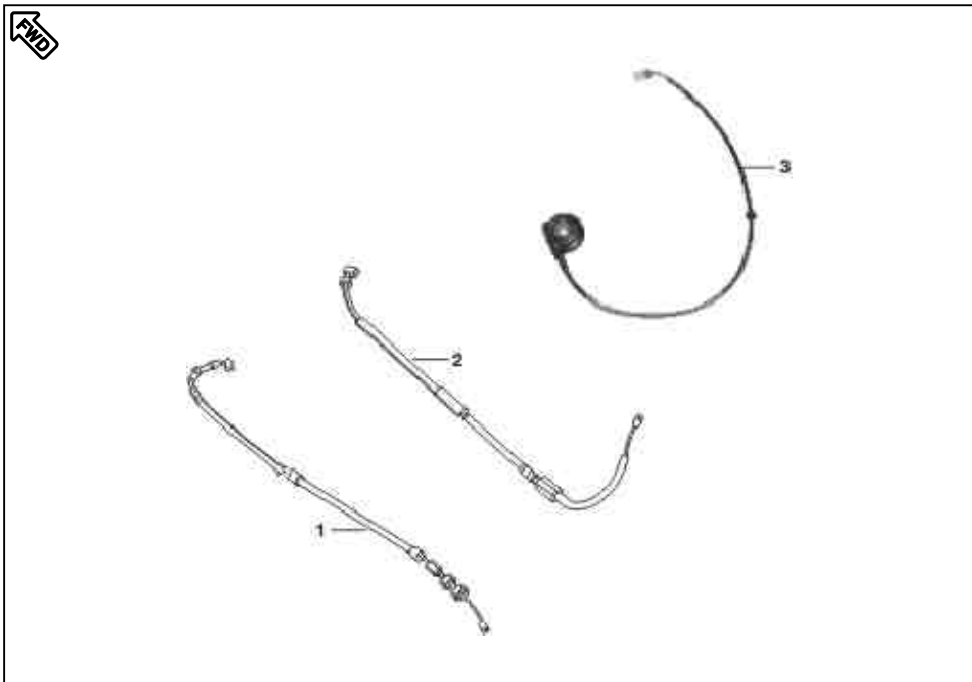
No.	Part No.	Description	Qty/ Veh.	Remarks
1	DH 1410 50	Cap Assly. Tank	1	
2	39 0840 01	Pan head screw	1	Alt. 39 1780 01
3	39 2381 04	Hex. Soc Hd. cap screw	7	
4	DJ 1410 07	Tap Assly	1	
5	DH 1410 48	Rotor with key	1	
6	30 1410 39	Packing	1	
7	DD 1410 22	Bolt flanged	2	
8	39 0740 11	Plain Washer	2	
9	DK 2010 27	Gauge Fuel	1	
	DK 2010 65	Gauge Fuel	1	Short length December 07
10	39 2758 21	Gasket fuel Gauge	1	
11	30 1410 32	Bolt	4	
12	DJ 1410 06	Tube fuel	1	
13	BA 1220 03	Pipe clip	1	
14	DH 1410 24	Drain tube	1	
15	DG 1410 28	Clamp	1	



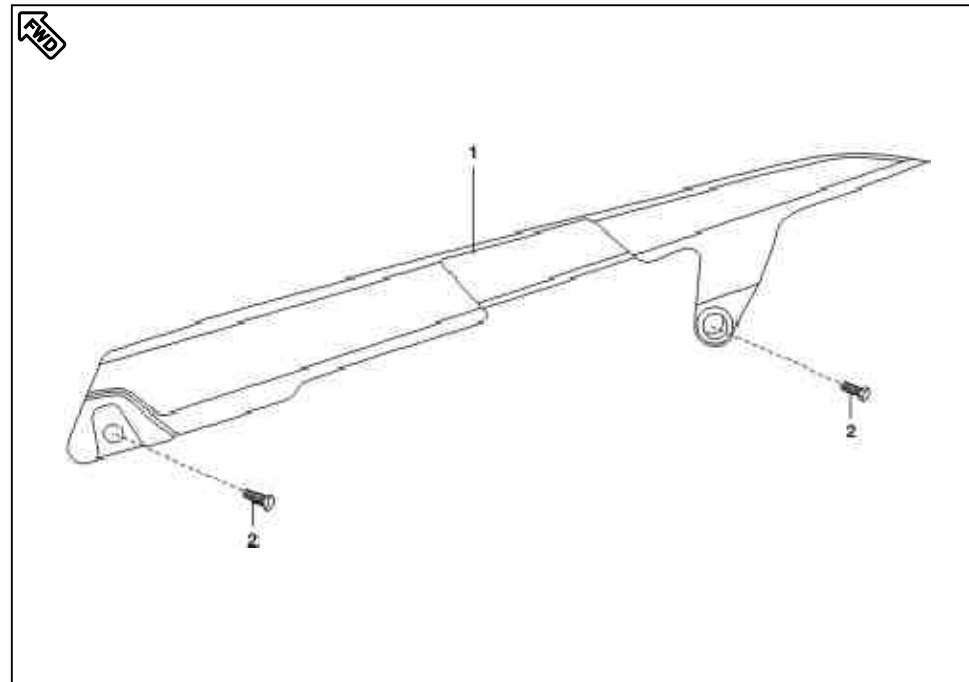
No.	Part No.	Description	Qty/ Veh.	Remarks
1	DK 1611 85	Grommet Kit For side cover	1	Refer Page No. 61
2	DH 1410 31	Tape tank inner	2	
3	DG 1611 21	Screw	2	
4	DK 1810 34	Lock for side cover with key	2	
5	DH 1410 23	Damper Rear	1	
6	DJ 1410 08	Damper front	2	
7	39 1556 04	Flanged Bolt	1	
8	39 2424 11	Plain Washer	1	
9	DK 1410 15	Tank pad	1	



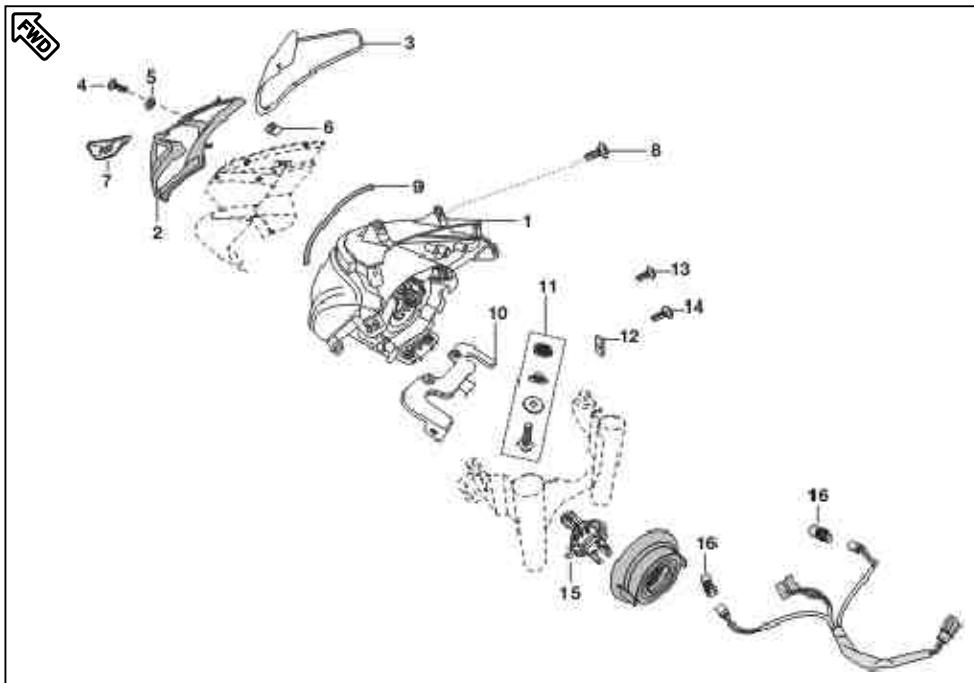
No.	Part No.	Description	Qty/ Veh.	Remarks
1	JC 1910 05	Meter Assly / Instrument Cluster	1	
	JC 1910 13	Meter Assly / Instrument Cluster	1	From December 07
2	39 1778 02	Self Tapping Screw	4	
3	DJ 1811 19	Cluster cover	1	
4	DJ 2011 59	Speedo meter top cover (Varroc)	1	
5	DJ 2011 63	Button push for trip meter	1	
6	DJ 2011 82	Gasket (Varroc)	1	



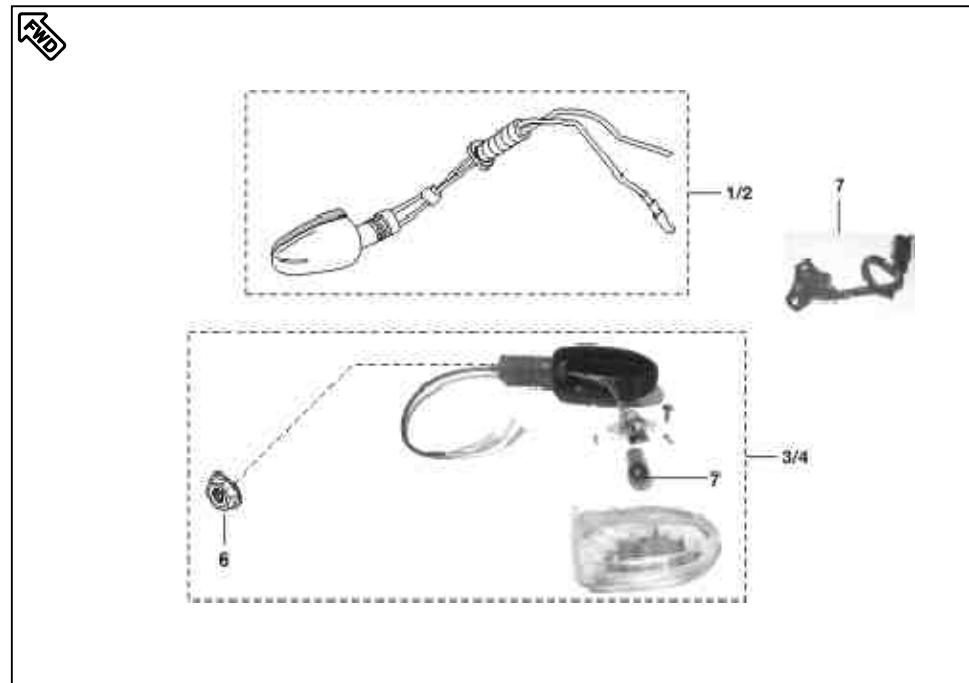
No.	Part No.	Description	Qty/ Veh.	Remarks
1	DK 1910 10	Control cable throttle	1	
2	DK 1910 11	Cable Clutch	1	
3	JC 2010 03	Speedo sensor with cable	1	



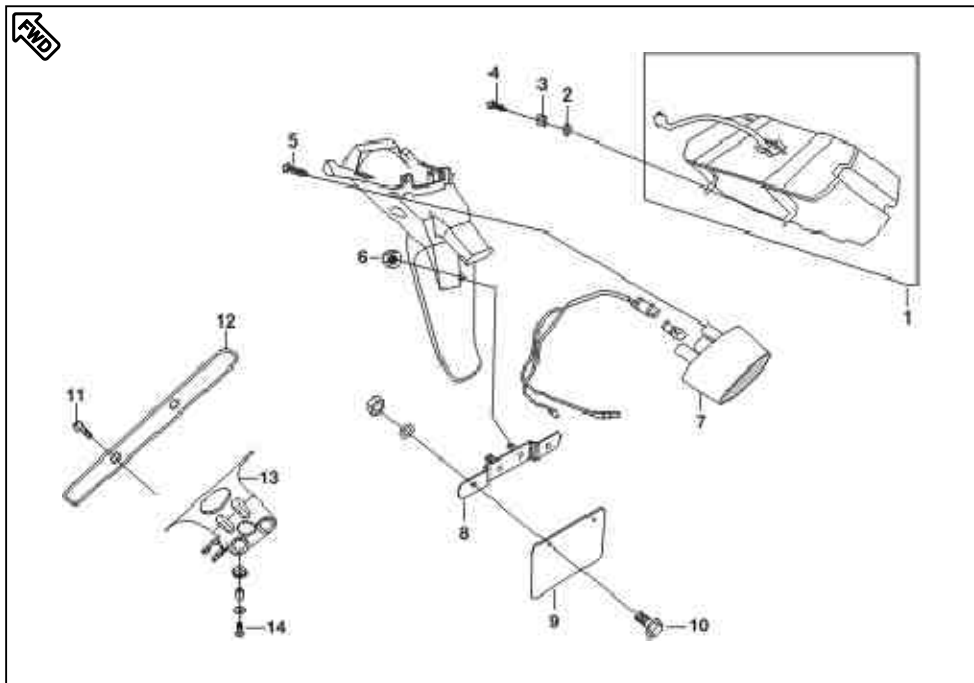
No.	Part No.	Description	Qty/ Veh.	Remarks
1	DK 1611 42	Cover Chain	1	
	DK 1611 99	Cover chain	1	For 3 point mounting
2	DH 1612 83	Bolt	2	



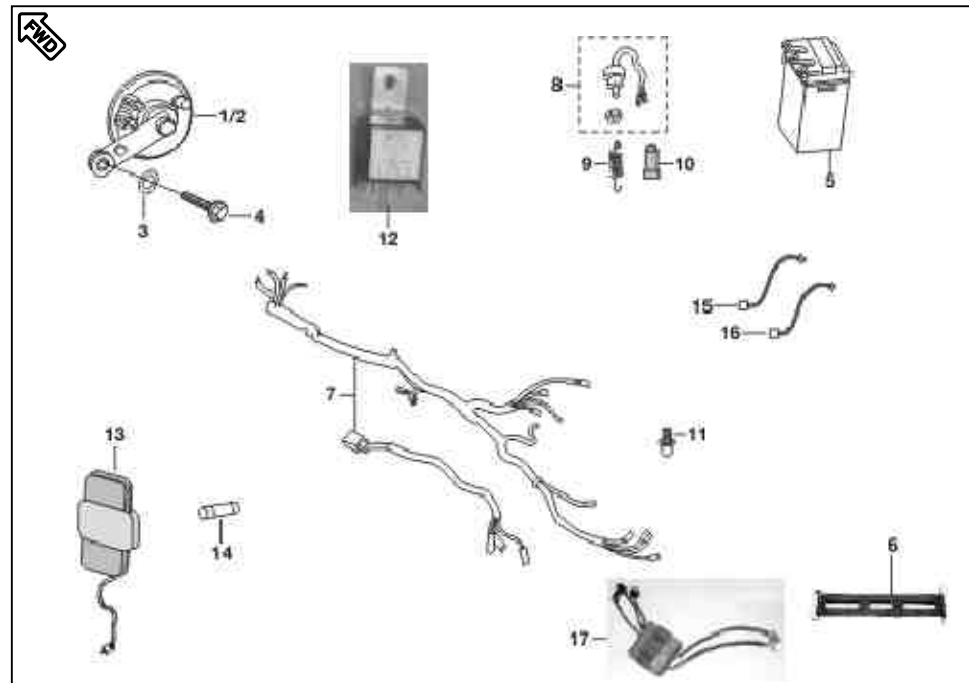
No.	Part No.	Description	Qty/ Veh.	Remarks
1	JC 2010 08	Head Lamp assly.	1	
2	DJ 1811 20	Mask	1	
3	DJ 1810 33	Wind Shield	1	
4	DF 1810 98	Bolt	4	
5	39 2141 24	Non Metallic Washer	4	
6	DL 1810 10	Well Nut	4	
7	DJ 1810 37	Decal Wind Shield	1	
8	39 1907 01	M5 x 15L mushroom HD	2	
9	DJ 1810 69	Packing Fairing	1	
10	DH 1810 52	Fairing mounting upper bracket	1	
11	36 DK00 21	Kit hardware mtg. bracket	1	Refer Page No. 61
12	DJ 1810 65	Clip Nut	4	
13	39 0716 01	Screw pan cross	2	
14	39 1524 01	Screw pan cross	2	
15	JC 2010 09	Lamp 12V 35/35W-HS1	1	
16	DK 2010 44	5 Watt bulb white output	2	



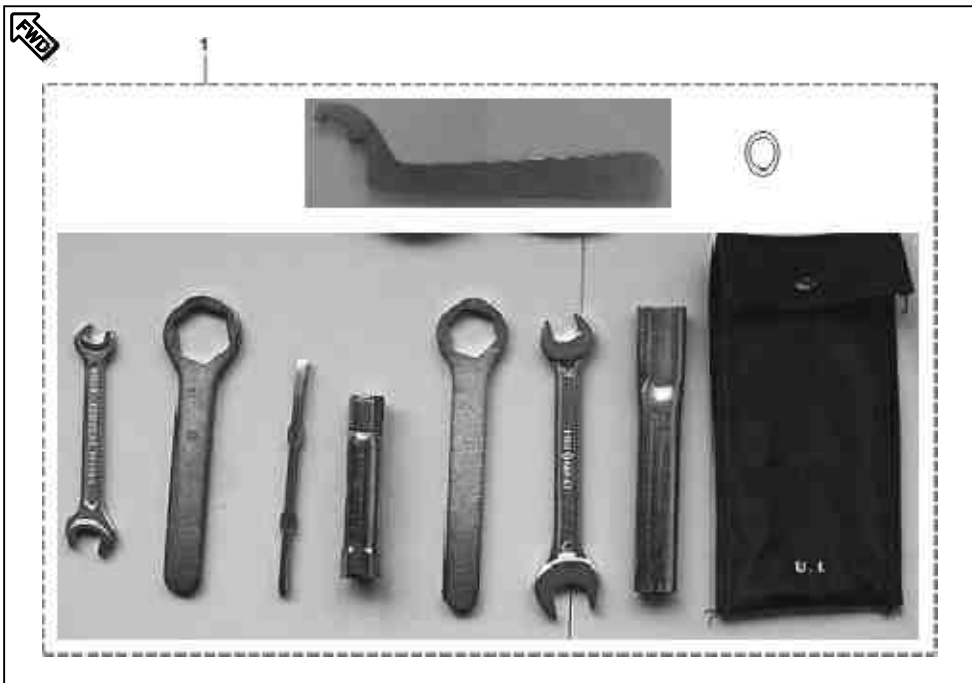
No.	Part No.	Description	Qty/ Veh.	Remarks
1	DJ 2011 48	Blinker Front LH Flexible	1	
2	DJ 2011 49	Blinker Front RH Flexible	1	
3	DJ 2011 46	Blinker RR LH Flexible	1	
4	DJ 2011 47	Blinker RR RH Flexible	1	
5	GH 2010 12	Lamp 12V / 10W	1	
6	39 1970 15	Hex Nut Flange	4	
7	DJ 2011 81	Magnet assly blinker self cancellation	1	



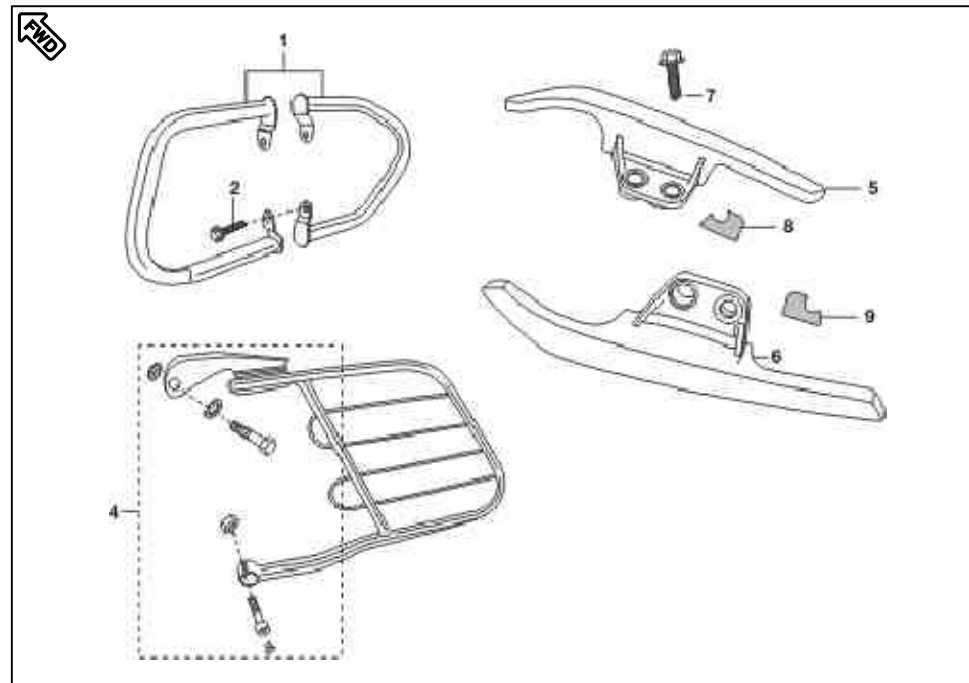
No.	Part No.	Description	Qty/ Veh.	Remarks
1	DK 2010 03	Tail light with Lamp	1	
2	DH 1612 93	Damper	2	
3	DK 1611 53	Clip Nut	4	
4	59 0100 13	Screw pan cross	4	
5	39 0705 01	Truss Screw	2	
6	39 1972 15	Bolt flange	2	
7	DK 2010 24	No. Plate illumination	1	
8	DJ 1610 72	Rear No. plate bkt.	1	
9	DP 1611 45	Number plate Rear	1	
10	39 1680 04	Hex Flanged Bolt	2	
11	39 1783 01	Truss Screw	2	For Front No. Plate
12	DP 1611 44	Number plate front	1	
13	DH 1612 92	No. plate mounting bracket	1	
14	39 1773 04	Bolt flange	2	



No.	Part No.	Description	Qty/ Veh.	Remarks
1	DH 2010 11	Horn with LH stay	1	
2	DH 2010 14	Horn with RH stay	1	
3	39 1507 11	Plain Washer	1	
4	39 1956 04	Flange Bolt	1	
5	DJ 2011 25	Battery (12V-9A) mf wet	1	N.S.
6	DJ 1612 47	Band Battery	1	
7	JC 2010 01	Wiring Harness	1	
	JC 2010 13	Wiring harness	1	For below seat
	JC 2010 29	Wiring harness	1	For Solenoid Relay July 08
8	JC 2010 05	Rear Brake Switch	1	
9	DH 1910 12	Spring Brake Switch	1	
10	DH 2010 19	Grommet Rear Brake Switch	1	
11	39 1680 04	Flange bolt	1	
12	DK 2010 16	Starter Relay	1	
	DK 2010 78	Starter Relay	1	For Solenoid Relay July 08
13	30 2011 04	Fuse box Assly.	1	
14	30 2010 85	Fuse	1	
15	DJ 2011 40	Cable assly. (Battery to Earth)	1	
16	DJ 2010 20	Cable assly. (Battery to St. Relay)	1	
17	DJ 2011 41	BCU	1	
	DJ 2011 94	BCU	1	For Solenoid Relay July 08



No.	Part No.	Description	Qty/ Veh.	Remarks
1	DH 2210 04	Tool Kit	1	
*	30 2210 04	Tool Driver	1	
*	DH 2210 05	Tool Wrench (Box 16 mm)	1	
*	30 2210 33	Tool Wrench (10 X 13)	1	
*	30 2210 11	Tool Wrench (14 X 17)	1	
*	30 2210 10	Plier	1	For reference only not to service separately
*	DH 2210 03	Tool Bag	1	
*	DJ 2210 07	Tool wrench (27/22 A/F)	1	
*	30 2210 09	Tool bar	1	
*	DG 2210 40	Tool wrench	1	
*	DK 2210 24	"O" ring for tool kit	2	



No.	Part No.	Description	Qty/ Veh.	Remarks
1	DK 2210 05	Leg Guard LH	1	
	DK 2210 06	Leg Guard RH	1	
2	39 2310 04	Flange bolt	4	
3	DK 1611 76	Sari Guard Assly.	1	
4	36 DK00 23	Kit hardware sari guard	1	Refer Page No. 61
5	DK 1611 47	Grab handle LH	1	
6	DK 1611 48	Grab handle RH	1	
7	39 2310 04	Bolt Flange	4	
8	DJ 1610 79	Foam LH For grab	1	
9	DJ 1610 80	Foam RH For grab	1	

KIT LIST



Sr. No.	Kit Part No.	Kit Description	Consisting of Following Parts		
			Part No.	Description	Qty./Kit
1	36DS1001	Cyl. Head 'O' Ring Kit	39239121	O Ring (Cover tappet)	2
			39128321	O ring	2
2	DK101327	Valve Kit	DK101052	Valve Intake	1
			DK101011	Valve Exhaust	1
3	DK101326	Valve Repair Kit	DK101247	Retainer valve spring	2
			DK101108	Spring valve inner	2
			DK101110	Spring valve outer	2
			DK101246	Seat valve spring	2
4	JC101038	Guide Chain Kit	DH101017	Guide chain (Tight)	1
			DK101059	Guide Chain (slack)	1
5	36DK0007	Kit centrifugal oil filter	39220011	Washer	1
			DH101234	Gasket centrifugal oil filter	1
			39226701	Oval screw	1
			DH101066	Join oil delivery	1
			DH101067	Spring oil delivery	1
			39219908	Pin oil delivery joint	1
6	36DH1006	Set Damper (cover magneto)	DH101282	Damper Cover Magneto	1
			DH101292	Damper A Cover LH RR	1
			DH101294	Damper B Cover LH RR	1
7	36DH1007	Set of Plate (cover magneto)	DH101283	Plate Damper	1
			DH101293	Plate Damper Cover LH RR	1
8	DK101328	Ring set piston	DK101286	Ring piston top	1
			DK101050	Ring piston second	1
			DK101287	Ring piston oil	1
9	36DK0011	Kit hardware engine mounting	39231204	Bolt flange	4
			39197015	Nut flange	8
			39241304	Bolt flange	1
			DH161245	U Nut	3
10	36DV0007	Bearing cone kit	DG181045	Bearing cone	1
			DG181046	Bearing race	1
			DG181047	Upper bearing race	1
			DG181005	Lower bearing race	1
11	36DK0012	Kit bush rear shock absorber	39071411	Plain washer	8
			39071215	Dome cap nut	2
			39073712	Spring washer	2
12	36DK0013	Kit hardware pillion	DJ161186	Plait side pillion step	2
			DH161061	Pin pillion set	2
			30141031	"O" ring	2
			39104011	Plain washer	2
			39078408	Split pin	2
13	36JC0002	Chain sprocket kit	DV101048	Sprocket drive	1
			JC151014	Sprocket hub	1
			DK151010	Chain	1

KIT LIST



	Kit Part No.	Kit Description	Consisting of Following Parts		
			Part No.	Description	Qty./Kit
14	36DK0031	Kit hardware rod bracket	30191038	Pin	1
			39021911	Plain washer	1
			39080808	Split pin	1
			30191035	Spring	1
			15191026	Pin	1
			JC191007	Brake adjustment nut	1
15	36DK0019	Kit hardware holder LH	30191024	Screw	1
			30191017	Nut	1
			39021911	Plain washer	1
			39072504	Bolt hex	1
16	DK161185	Grommet kit for side cover	DH161158	Grommet side cover front	2
			DH161133	Grommet side cover rear	2
17	36JC0001	Decal Set	JC141018	Decal oil cooler LH	1
			JC141019	Decal oil cooler RH	1
			JC161019	Decal seat cowl LH	1
			JC161020	Decal seat cowl RH	1
			DJ141044	Decal tank LH	1
			DJ141045	Decal tank RH	1
18	36DK0021	Kit hardware mtg. bkt.	DJ181029	Collar	1
			DJ181064	Grommet	1
			39021111	Plain washer	1
			39155304	Bolt flange	1
19	36DK0023	Kit hardware saree guard	DH161225	Bolt special	1
			39078912	Spring washer	1
			39008004	Bolt hexagon	1
			59040013	Bolt hex socket	1
			39029615	Nut hexagon	1
			DH161144	Cap	1
			DD221003	Plug	1

Part Index

Part No.	Figure No.	Page No.
22150451	2	31
22150451	8	31
30101014	11	13
30101061	21	9
30101236	24	16
30141028	10	49
30141032	11	49
30141039	6	49
30151038	15	39
30151068	6	39
30151069	5	39
30161157	2	34
30181006	6	29
30181025	9	44
30181026	8	44
30181028	17	45
30181029	16	45
30201085	14	57
30201104	13	57
30221004	1	58
30221009	1	58
30221010	1	58
30221011	1	58
30221033	1	58
31101106	11	1
31101106	15	13
31101173	4	6
31201081	16	14
35171033	15	30
36DH1006	6	17
36DH1007	8	17
36DH1902	15	37
36DK0007	13	6
36DK0011	4	28
36DK0012	3	30
36DK0013	5	32
36DK0017	8	41
36DK0019	11	42

Part No.	Figure No.	Page No.
36DK0021	11	54
36DK0023	4	59
36DK0029	9	6
36DS1001	3	1
36DS1001	11	2
36DV0003	5	29
36JC0001	15	48
36JC0002	28	40
39000701	5	21
39029215	14	30
39029215	7	32
39042215	10	34
39070501	5	56
39071111	4	33
39071601	13	54
39074011	16	30
39074011	8	49
39074601	7	25
39075201	7	13
39076101	5	25
39078111	9	36
39078615	8	36
39078708	3	34
39078708	1	36
39078912	28	45
39079415	26	40
39079815	13	39
39084001	2	49
39099906	10	15
39099906	4	17
39104119	3	15
39106204	24	9
39106901	6	32
39107504	9	1
39118415	10	42
39122411	18	40
39128321	5	2
39150711	3	57

Part Index

Part No.	Figure No.	Page No.
39152401	14	54
39155604	7	50
39158821	1	58
39162011	9	7
39166005	2	2
39166121	3	19
39167204	3	7
39167204	5	19
39167304	13	4
39167404	8	2
39167404	14	2
39167404	11	7
39167404	2	24
39167404	4	25
39167704	18	14
39168004	7	29
39168004	5	33
39168004	10	56
39168004	11	57
39168606	8	7
39168606	4	24
39171404	3	42
39174104	8	32
39176511	4	21
39176904	2	38
39177304	14	56
39177802	2	51
39178001	12	20
39178301	11	56
39181304	29	45
39188020	4	4
39188020	10	18
39190204	6	23
39190204	15	25
39190701	8	54
39194304	21	43
39194404	17	26
39195604	4	57

Part No.	Figure No.	Page No.
39196704	10	28
39197015	6	55
39197215	6	56
39199020	21	16
39199715	17	40
39199819	11	11
39201719	5	3
39213217	5	5
39214124	5	54
39215220	5	7
39215320	6	6
39215704	7	28
39215811	2	8
39216011	9	8
39216511	3	6
39218006	8	12
39218006	22	14
39218106	2	5
39218106	23	14
39218304	2	6
39218304	3	17
39218520	10	13
39218819	4	13
39219019	12	13
39219421	6	24
39220011	16	18
39220307	8	6
39224120	4	39
39224220	1	39
39230504	19	14
39231004	13	28
39231004	2	59
39231004	7	59
39231104	14	28
39236220	2	36
39238104	3	49
39238315	5	41
39241204	8	28

Part Index

Part No.	Figure No.	Page No.
39241404	11	28
39242411	8	50
39243704	6	10
39244311	17	16
39244704	12	39
39244811	21	14
39245221	12	17
39245304	6	11
39245711	15	28
39253204	8	1
39254220	3	4
39254717	26	16
39255717	7	7
39258320	6	12
39260120	7	12
39260320	8	13
39260607	7	10
39260801	10	2
39263704	8	19
39264715	6	1
39266921	1	4
52DH0177	10	7
52JC0019	25	45
59010013	4	56
59020001	12	48
59040031	9	4
59040040	2	33
59050008	3	12
59050008	2	13
59100002	1	25
59110002	9	3
59200007	9	27
59200006	9	13
59200027	9	12
59210006	5	13
59210008	13	2
AP101043	10	17
AP111010	15	2

Part No.	Figure No.	Page No.
BA122003	13	49
CB121014	7	21
CS101128	14	4
DD101062	15	4
DD111012	14	25
DD141022	7	49
DD191085	9	42
DE151008	6	36
DE151012	5	36
DE151015	1	37
DE191010	5	37
DE191011	4	37
DF161102	9	34
DF181098	4	54
DG101029	4	3
DG101418	7	15
DG111008	8	25
DG141028	15	49
DG151005	4	36
DG151007	12	36
DG151049	10	36
DG151089	1	38
DG161121	3	50
DG171018	5	30
DG171019	7	30
DG171020	12	30
DG171021	11	30
DG171034	10	30
DG171038	2	30
DG181003	19	45
DG181008	22	45
DG181011	12	44
DG181013	4	44
DG181021	2	44
DG181022	5	44
DG181023	3	44
DG181025	20	45
DG181042	4	29

Part Index

Part No.	Figure No.	Page No.
DG181045	26	45
DG181048	3	29
DG221040	1	58
DH101006	5	12
DH101048	8	4
DH101064	10	6
DH101065	12	6
DH101072	2	7
DH101079	4	8
DH101079	13	8
DH101084	8	8
DH101111	15	8
DH101134	4	7
DH101141	4	15
DH101142	5	15
DH101144	3	11
DH101146	3	10
DH101154	12	15
DH101157	11	17
DH101163	17	27
DH101164	15	27
DH101172	7	27
DH101188	8	27
DH101195	11	6
DH101197	2	15
DH101199	6	25
DH101203	13	13
DH101235	5	8
DH101272	10	1
DH101275	1	18
DH101319	18	9
DH101323	13	17
DH101333	19	9
DH101336	11	8
DH101382	10	27
DH101383	4	12
DH101385	5	27
DH101388	19	16

Part No.	Figure No.	Page No.
DH101388	7	17
DH101389	14	27
DH101392	11	4
DH101393	7	11
DH101394	10	11
DH101412	7	4
DH101414	10	5
DH101482	22	16
DH101487	10	12
DH101493	4	10
DH101496	9	10
DH101503	8	11
DH101508	4	2
DH101509	5	11
DH101510	18	16
DH101533	18	27
DH101544	16	16
DH101581	4	27
DH101607	3	22
DH101608	2	22
DH101648	14	18
DH101658	3	27
DH101661	14	13
DH101705	1	11
DH101714	2	11
DH101781	2	27
DH101782	1	27
DH101784	17	14
DH111012	9	2
DH111013	9	25
DH111015	13	25
DH111016	18	26
DH121001	1	24
DH121010	3	24
DH121011	14	15
DH121012	15	15
DH121015	13	15
DH121020	3	21

Part Index

Part No.	Figure No.	Page No.
DH121035	5	24
DH121038	7	2
DH141020	6	47
DH141023	5	50
DH141024	14	49
DH141031	2	50
DH141048	5	49
DH141050	1	49
DH161046	3	23
DH161053	4	31
DH161066	7	34
DH161100	7	31
DH161112	2	29
DH161121	4	34
DH161145	5	34
DH161146	8	34
DH161189	2	28
DH161190	3	28
DH161194	5	31
DH161273	9	28
DH161283	2	53
DH161292	13	56
DH161293	2	56
DH171019	8	30
DH171019	16	40
DH181009	14	44
DH181015	15	44
DH181040	16	43
DH181052	10	54
DH181053	2	42
DH191007	12	42
DH191012	9	57
DH191017	13	42
DH191019	14	42
DH201011	1	57
DH201014	2	57
DH201019	10	57
DH201048	4	42

Part No.	Figure No.	Page No.
DH201051	5	42
DH201064	11	34
DH201065	12	34
DH211005	2	58
DH221003	1	58
DH221004	1	58
DH221005	1	58
DH73013A	2	46
DH7301X3	2	46
DJ101022	1	7
DJ101063	23	9
DJ101064	4	22
DJ101109	16	27
DJ101133	6	7
DJ101209	1	17
DJ101217	2	1
DJ101278	13	27
DJ111023	19	26
DJ111059	2	25
DJ111061	3	25
DJ121051	2	20
DJ121052	3	20
DJ121053	5	20
DJ121054	6	20
DJ121055	7	20
DJ121058	14	20
DJ121059	15	20
DJ141006	12	49
DJ141007	4	49
DJ141008	6	50
DJ151032	9	39
DJ151047	13	30
DJ151068	3	38
DJ151069	4	38
DJ151070	5	38
DJ151071	6	38
DJ151072	7	38
DJ151073	8	38

Part Index

Part No.	Figure No.	Page No.
DJ151074	9	38
DJ151075	10	38
DJ151076	2	37
DJ151088	3	39
DJ161012	9	17
DJ161067	16	26
DJ161072	8	56
DJ161079	8	59
DJ161080	9	59
DJ161126	1	31
DJ161127	3	31
DJ161128	3	32
DJ161129	4	32
DJ161132	8	29
DJ161133	9	29
DJ161247	6	57
DJ181011	15	42
DJ181033	3	54
DJ181037	7	54
DJ181039	17	43
DJ181065	12	54
DJ181069	9	54
DJ181104	13	44
DJ181119	3	51
DJ181120	2	54
DJ191006	3	37
DJ191009	6	42
DJ191027	6	37
DJ191028	7	37
DJ191029	8	37
DJ191030	9	37
DJ191031	10	37
DJ191032	11	37
DJ191034	13	37
DJ191035	14	37
DJ191054	7	42
DJ191055	8	42
DJ201020	16	57

Part No.	Figure No.	Page No.
DJ201021	20	14
DJ201035	22	43
DJ201100	12	37
DJ201102	10	25
DJ201125	5	57
DJ201130	7	55
DJ201140	15	57
DJ201141	17	57
DJ201143	10	29
DJ201146	3	55
DJ201147	4	55
DJ201148	1	55
DJ201149	2	55
DJ201159	4	51
DJ201163	5	51
DJ221003	18	43
DJ221004	19	43
DJ221007	1	58
DJ74012T	7	47
DJ74012V	7	47
DJ74013A	7	47
DJ7401X3	7	47
DK101001	4	18
DK101003	3	2
DK101038	11	18
DK101063	1	5
DK101072	12	18
DK101073	2	18
DK101075	3	18
DK101078	15	18
DK101094	3	13
DK101097	6	13
DK101102	6	8
DK101103	3	8
DK101104	7	8
DK101105	12	8
DK101106	14	8
DK101107	17	9

Part Index

Part No.	Figure No.	Page No.
DK101112	1	19
DK101118	16	9
DK101122	23	16
DK101123	25	16
DK101125	1	8
DK101126	13	18
DK101135	10	10
DK101145	10	8
DK101149	6	18
DK101150	6	18
DK101151	7	18
DK101152	8	18
DK101153	17	18
DK101154	9	18
DK101155	18	18
DK101157	5	10
DK101159	1	10
DK101160	2	10
DK101163	5	18
DK101176	6	27
DK101180	13	11
DK101182	4	11
DK101185	14	11
DK101185	3	41
DK101186	15	11
DK101186	2	41
DK101187	12	11
DK101187	4	41
DK101225	2	19
DK101235	7	5
DK101236	8	5
DK101236	9	19
DK101237	9	5
DK101237	10	19
DK101238	4	19
DK101245	20	9
DK101248	7	6
DK101251	6	15

Part No.	Figure No.	Page No.
DK101252	11	15
DK101253	9	11
DK101255	6	18
DK101275	6	19
DK101276	7	19
DK101326	6	3
DK101327	7	3
DK101328	4	5
DK101356	19	18
DK101361	8	10
DK111010	8	21
DK121009	2	21
DK121019	9	21
DK141015	9	50
DK151005	23	40
DK151006	2	35
DK151007	4	35
DK151008	13	36
DK151012	21	40
DK151013	22	40
DK151014	19	40
DK151015	25	40
DK151022	2	39
DK151026	5	35
DK151027	7	36
DK151028	3	36
DK151036	27	40
DK161085	6	33
DK161086	3	33
DK161096	1	28
DK161098	1	33
DK161122	1	34
DK161123	10	48
DK161124	11	48
DK161127	16	28
DK161128	17	28
DK161136	6	34
DK161137	1	32

Part Index

Part No.	Figure No.	Page No.
DK161142	1	53
DK161147	5	59
DK161148	6	59
DK161153	3	56
DK161159	5	28
DK161160	6	28
DK161161	12	28
DK161176	3	59
DK161185	1	50
DK161198	7	33
DK161199	1	53
DK171003	9	30
DK171006	6	30
DK181034	4	50
DK191010	1	52
DK191011	2	52
DK191013	6	41
DK201003	1	56
DK201016	12	57
DK201024	7	56
DK201027	9	49
DK201031	11	36
DK201031	3	52
DK201044	16	54
DK211001	1	23
DK211004	4	23
DK211008	5	23
DK221005	1	59
DK221006	1	59
DK73012T	2	46
DK73012V	2	46
DK73022T	3	46
DK73022V	3	46
DK73023A	3	46
DK7302X3	3	46
DK73032T	4	46
DK73032V	4	46
DK73033A	4	46

Part No.	Figure No.	Page No.
DK7303X3	4	46
DK74022T	5	47
DK74022V	5	47
DK74023A	5	47
DK7402X3	5	47
DL181010	6	54
DP161144	12	56
DP161145	9	56
DS101084	7	1
DS101096	5	1
DS101154	5	6
DS101166	4	1
DS101215	8	15
DS101252	20	16
DS101276	6	4
DS101333	3	3
DS101335	1	3
DS101336	2	3
DS101353	9	15
DS101353	12	27
DS101366	8	3
DS151073	24	40
DS151074	20	40
DS181022	20	43
DS181077	10	44
DS181085	18	45
DS211005	2	23
DV101042	2	17
DV101048	22	9
DX161067	6	31
GH201012	5	55
JC101001	1	6
JC101012	3	5
JC101016	1	13
JC101018	1	12
JC101022	2	4
JC101029	2	12
JC101030	1	15

Part Index

Part No.	Figure No.	Page No.
JC101033	5	17
JC101034	12	4
JC101035	10	4
JC101036	1	1
JC101036	1	2
JC101037	6	5
JC101038	5	4
JC101039	1	22
JC111003	11	25
JC111004	12	25
JC111007	11	27
JC120001	12	2
JC120002	6	21
JC120003	6	2
JC120004	1	21
JC120005	1	20
JC120006	9	20
JC120007	16	20
JC120009	4	20
JC120010	13	20
JC120011	8	20
JC141015	13	48
JC141017	14	48
JC151002	8	39
JC151005	7	39
JC151006	14	39
JC151007	11	39
JC151010	3	35
JC151011	10	39
JC151013	1	35
JC161002	2	32
JC161022	1	29
JC171002	4	30
JC171003	1	30
JC181001	1	44
JC181002	21	45
JC181003	27	45
JC181005	1	42

Part No.	Figure No.	Page No.
JC181006	24	45
JC181007	23	45
JC181011	6	44
JC181012	7	44
JC181021	11	44
JC191001	1	41
JC191002	7	41
JC191005	1	51
JC201001	7	57
JC201005	11	20
JC201005	8	57
JC201006	10	20
JC201008	1	54
JC201009	15	54
JC71012T	1	46
JC71012V	1	46
JC71013A	1	46
JC7101X3	1	46
JC72012T	8	47
JC72012V	8	47
JC72013A	8	47
JC7201X3	8	47
JC72022T	9	48
JC72022V	9	48
JC72023A	9	48
JC7202X3	9	48