

We have pleasure in presenting the Spare Parts Catalogue for 'Pulsar 220cc DTS-Fi' Motorcycle. This catalogue has been specially designed to assist you in selecting the correct parts for procurement to maintain 100% availability.

The Bajaj spares are subjected to the stringent quality control standards to ensure longer life of the vehicle. It is therefore necessary that only the Genuine Bajaj Spares are used.

In a continual effort to improve Performance and Efficiency of the vehicles, Specifications, Diagrams, Illustrations and Part Numbers can change without notice. Consequently, the description in this Spare Parts Catalogue cannot therefore be final and binding on us.

The modifications / alterations which are carried out after the issue of this catalogue, will be conveyed to you through our Service Circulars. You are requested to make necessary corrections in the Parts Catalogue as per the circulars so as to keep your catalogue up-to-date. This will ensure the appropriate and speedy delivery of the Spare Parts as the order placed will bear the latest part numbers.

In case, if you need any technical assistance contact the concerned Regional Office or write to us on the following address :

Bajaj Auto Limited  
Service Department  
Akurdi, Pune 411 035 India  
Phone : 020-27406557  
Fax : 020-27407385  
E-mail : [service@bajajauto.co.in](mailto:service@bajajauto.co.in)

All information contained in this manual is based on the latest product information at the time of publication. Bajaj Auto Limited accepts no liability for any inaccuracies or omissions in this publication, although every possible care has been taken to make it as complete and accurate as possible. All procedures and specifications subject to change without prior notice. The right is reserved to make such changes at any time without prior notice and without incurring an obligation to make such changes to product manufactured previously. Contact your authorized Bajaj Dealer for the latest information on product improvements incorporated after this manual was issued.

DOC. NO.: 71110429

REV. 00 DEC. 07

- How to Read the Catalogue : Open the catalogue and from the pictorial index locate the group in which the part you want to find is present. Turn over to the concerned page number (as given by pictorial index). Now find out the figure of the part you wish to order. Write down the part number against that particular figure number from the text.

In case, if you have the part number and you need the other details, the part index can be used. The part index (at the end of the catalogue) will give you the figure and page number of the part you wish to order.

- How to Order Spare Parts : The part number and the description of the part required should be invariably mentioned in the order as per the catalogue text.

The latest part number as conveyed through our service circulars should only appear on the order. In case of ordering painted components, colour shade of the components should be mentioned.

The quantity shown against the part number is the quantity per vehicle for that group so that particular quantity should be multiplied by the number of sets required.

- Part Number System: We have used 8 digit system for part numbers. The model or hardware item is indicated by first two digits or alphanumeric, the next two or four digits indicate main group and the last four or two digits indicate serial number in main group or serial number or subgroup of fastener respectively. Thus the part numbers will be indicated by 2-2-4 or 2-4-2 digit system. Understanding this system will enable you to identify the spare parts easily.

- Abbreviations : The following abbreviations are used in this catalogue.

assly.	Assembly	V	Volts
N.I.	Not illustrated	W	Watts
C'case	Crankcase	accl.	Accelerator
Cyl	Cylinder	Comp.	Complete
o/s.	Over size	Fr	Front
Std.	Standard	L	Length
A/t.	Alternate	Rr	Rear
R.H.	Right hand	Hex.	Hexagonal
L.H.	Left hand	AR	As required

No.	Description	Page No.
1	Cover Cylinder Head	1
2	Cylinder Head	2
3	Valve	3
4	Camshaft / Tensioner	4
5	Cylinder & Piston	5
6	Crankshaft	6
7	Balancer & Balancer Idler Gear	7
8	Transmission	8&9
9	Change Drum/ Shift Fork	10
10	Gear Change Mechanism	11
11	Engine Assly & Crankcase RH	12
12	Crankcase LH	13&14
13	Cover RH	15&16
14	Cover Magneto	17
15	Clutch	18&19
16	Injection & throttle body	20
17	Oil collar	21
18	Air Cleaner Comp.	22
19	Silencer Assly	23
20	Seat Assly. / Seat Lock	24
21	Oil Pump	25
22	Magneto/C.D.I./H.T.Coil	26&27
23	Starter Assly (For Self Start)	28
24	Engine Mountings	29
25	Frame & Frame fitting	30
26	Swing Arm / Rear Shock Absorber	31
27	Rider Foot rest	32
28	Pillion Foot rest / Holder	33
29	Mudguard Front & Rear	34
30	Stand Assembly	35
31	Tyre/ Tube /Rim	36
32	Front Hub	37
33	Front Master Cylinder	38
34	Front Disc Brake	39

No.	Description	Page No.
35	Rear Hub	40&41
36	Rear Disc Brake	42
37	Rear Brake Pedal	43
38	Handle Bar	44&45
39	Front Fork	46&47
40	Painted Parts & Decals	48&49
41	Petrol Cock, Cap Tank & Gauge Fuel	50&51
42	Fitting - Petrol Tank, Side Cover & Cover seat	52
43	Meter Assly.	53
44	Control Cables	54
45	Chain Case	55
46	Head Lamp & Fairing	56
47	Indicator Light Assly.	57
48	Fearing & Mounting	58&59
49	Tail Lamp Assly/Front & Rear No. Plate	60
50	Electrical Equipments	61&62
51	Tool Kit	63
52	Accessories / Grab Handle Kits List	64
	Amendment Sheet(Parts Added)	65&66
	Amendment Sheet(Parts Deleted)	67
	Part Index	68
		69

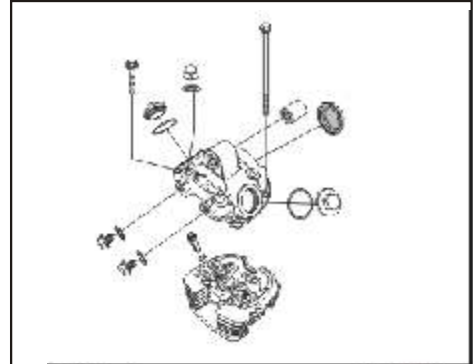
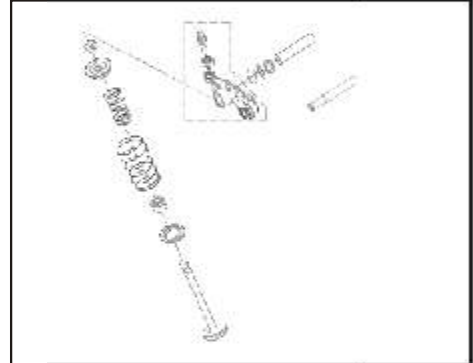
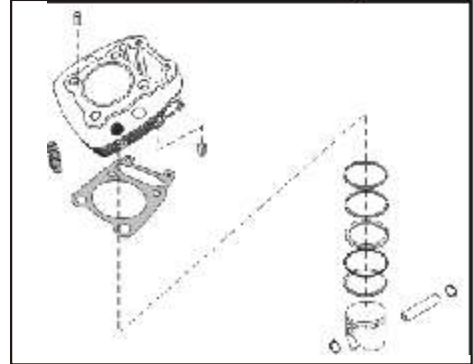
PLATE NO. : 1 COVER CYLINDER HEAD	PAGE NO.: 1
	
PLATE NO. : 3 VALVE	PAGE NO.: 3
	
PLATE NO. : 6 CYLINDER AND PISTON	PAGE NO.: 6
	

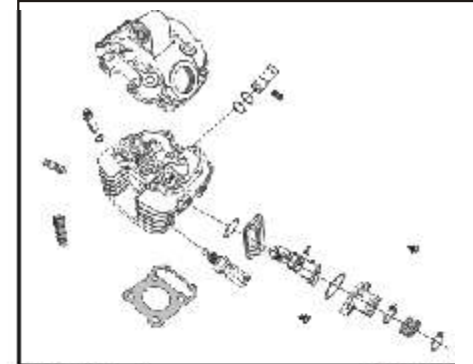
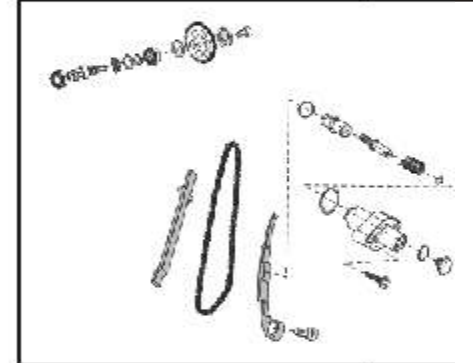
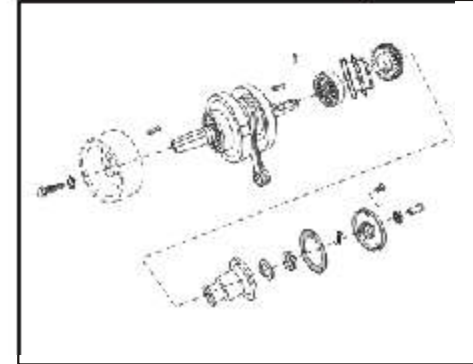
PLATE NO. : 2 CYLINDER HEAD	PAGE NO.: 2
	
PLATE NO. : 4 CAMSHAFT / TENSIONER	PAGE NO.: 4
	
PLATE NO. : 6 CARNKSHAFT	PAGE NO.: 6
	

PLATE NO. : 7 BALANCER AND BALANCER IDLER GEAR	PAGE NO.: 7
--	----------------

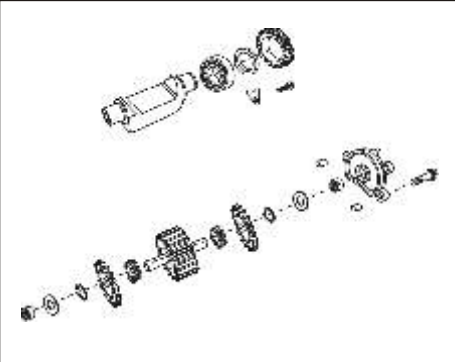


PLATE NO. : 9 CHANGE DRUM / SHIFT FORK	PAGE NO.: 10
---	-----------------

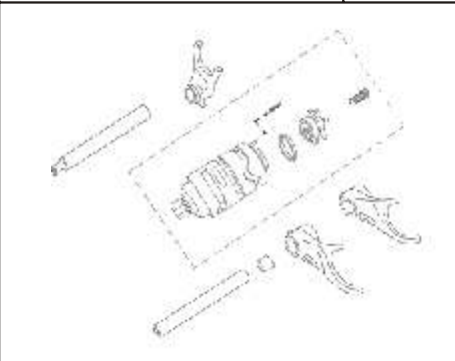


PLATE NO. : 11 ENGINE ASSLY. & CRANKCASE RH	PAGE NO.: 12
--	-----------------

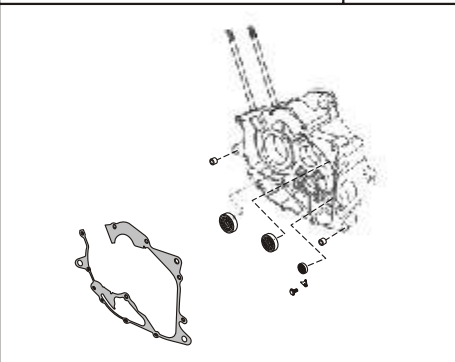


PLATE NO. : 8 TRANSMISSION	PAGE NO.: 8 & 9
-------------------------------	--------------------

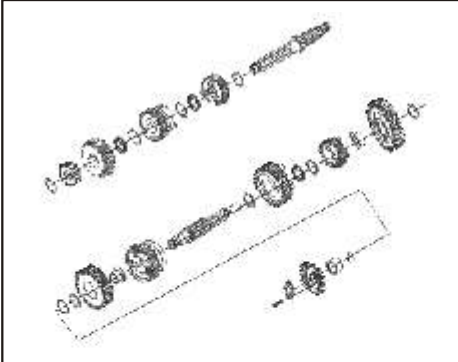


PLATE NO. : 10 GEAR CHANGE MECHANISM	PAGE NO.: 11
---	-----------------

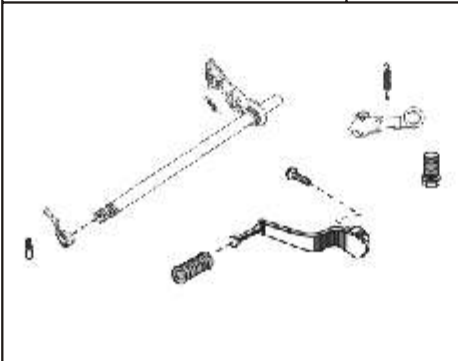


PLATE NO. : 12 CRANKCASE LH	PAGE NO.: 13 & 14
--------------------------------	----------------------

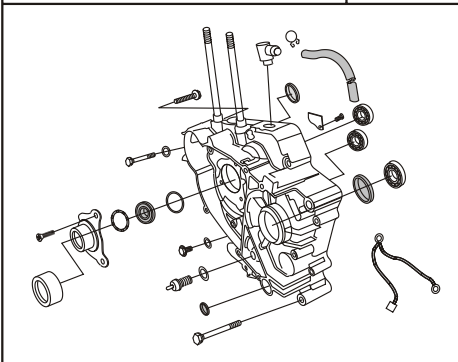


PLATE NO. : 13 COVER RH	PAGE NO.: 15 & 16
----------------------------	----------------------

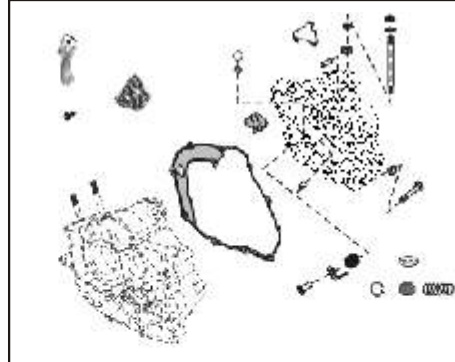


PLATE NO. : 15 CLUTCH	PAGE NO.: 18 & 19
--------------------------	----------------------

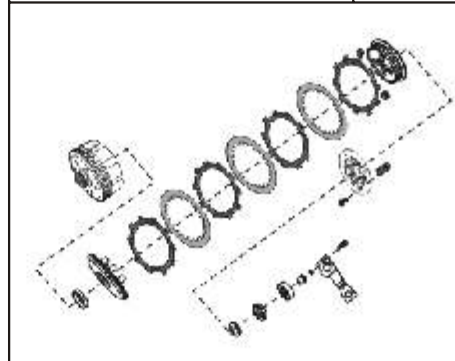


PLATE NO. : 17 OIL COOLER ASSLY.	PAGE NO.: 21
-------------------------------------	-----------------

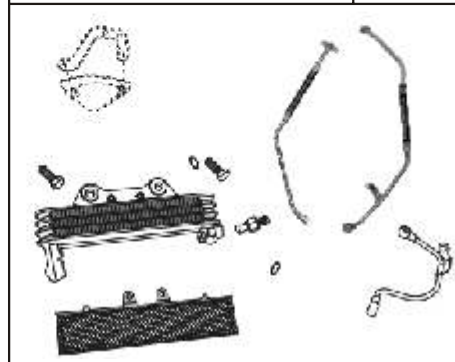


PLATE NO. : 14 COVER MAGNETO	PAGE NO.: 17
---------------------------------	-----------------

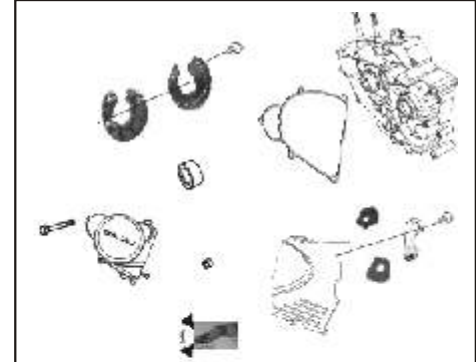


PLATE NO. : 16 INJECTOR / THROTTLE BODY	PAGE NO.: 20
--	-----------------

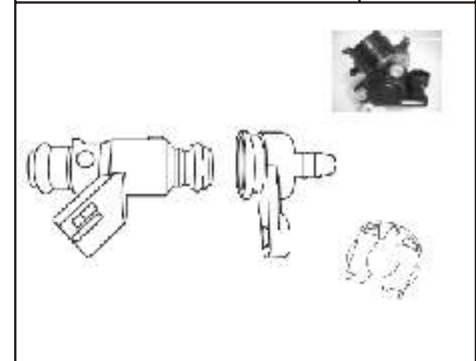


PLATE NO. : 18 AIR CLEANER COMP.	PAGE NO.: 22
-------------------------------------	-----------------

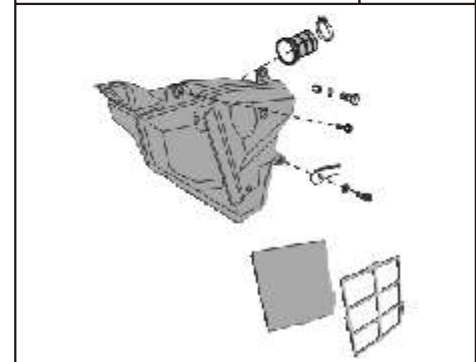


PLATE NO. : 19 SILENCER ASSLY.	PAGE NO.: 23
-----------------------------------	-----------------

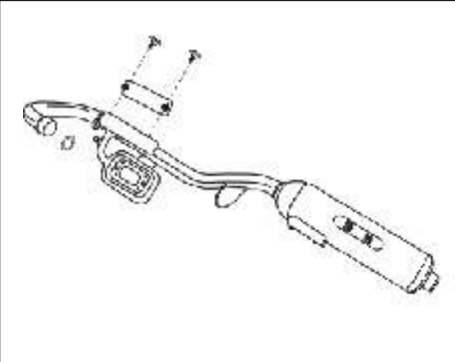


PLATE NO. : 21 OIL PUMP	PAGE NO.: 25
----------------------------	-----------------

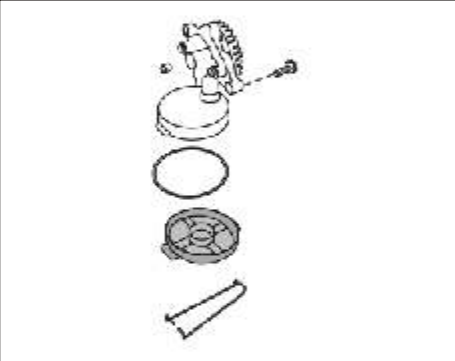


PLATE NO. : 23 STARTER ASSLY.	PAGE NO.: 28
----------------------------------	-----------------

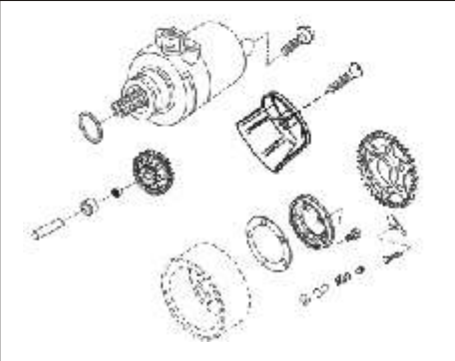


PLATE NO. : 20 SEAT ASSLY. / SEAT LOCK	PAGE NO.: 24
---	-----------------

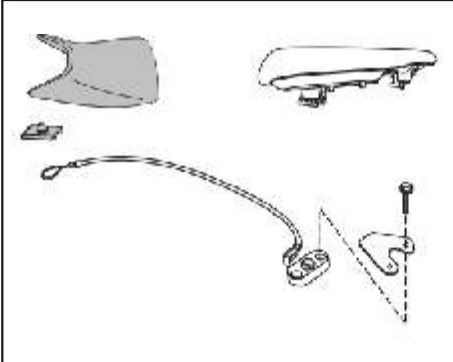


PLATE NO. : 22 MAGNETO / C.D.I./H.T. COIL	PAGE NO.: 26 & 27
--	----------------------

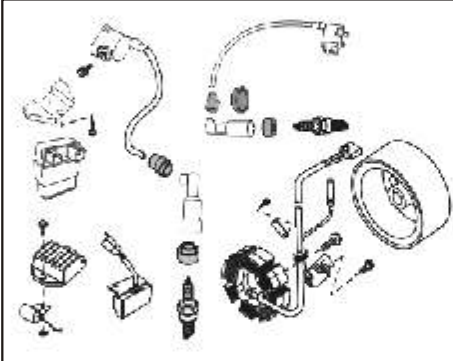


PLATE NO. : 24 ENGINE MOUNTINGS	PAGE NO.: 29
------------------------------------	-----------------

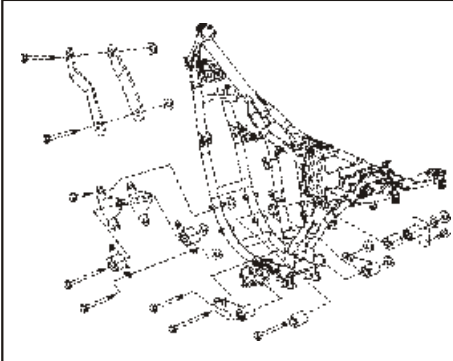


PLATE NO. : 25 FRAME & FRAME FITTINGS	PAGE NO.: 30
--	-----------------

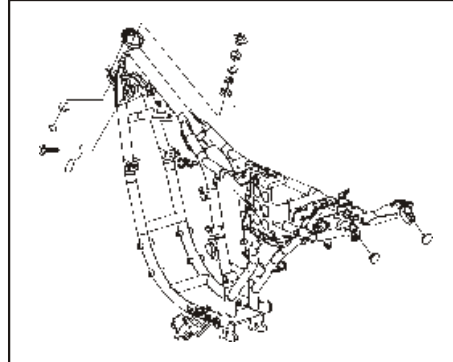


PLATE NO. : 27 RIDDER FOOT REST	PAGE NO.: 32
------------------------------------	-----------------

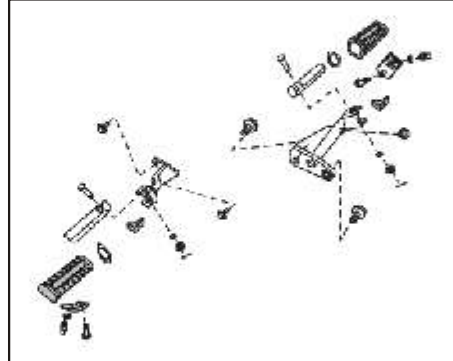


PLATE NO. : 29 MUDGUARD FRONT & REAR	PAGE NO.: 34
---	-----------------

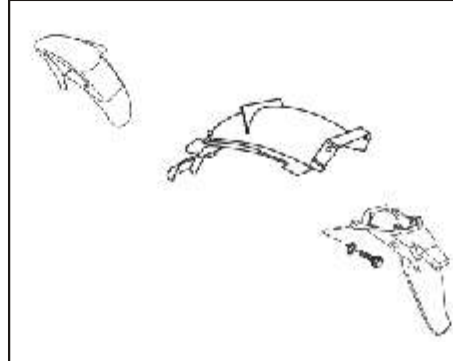


PLATE NO. : 26 SWING ARM / REAR SHOCK ABSORBER	PAGE NO.: 31
---	-----------------

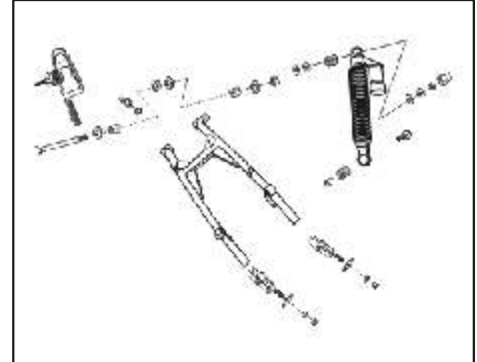


PLATE NO. : 28 PILLION FOOT REST / HOLDER	PAGE NO.: 33
--	-----------------

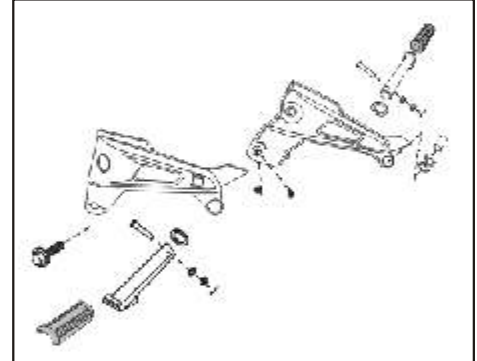


PLATE NO. : 30 STAND ASSLY.	PAGE NO.: 35
--------------------------------	-----------------

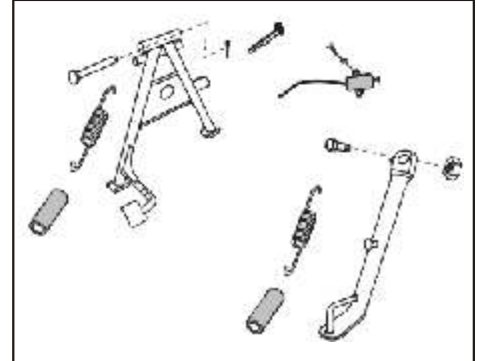




PLATE NO. : 31 TYRE / TUBE / RIM	PAGE NO.: 36
-------------------------------------	-----------------



PLATE NO. : 33 FRONT MASTER CYLINDER	PAGE NO.: 38
---	-----------------

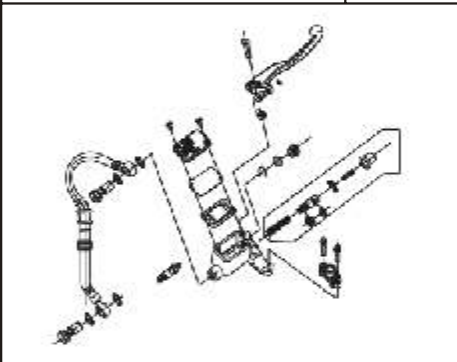


PLATE NO. : 35 REAR HUB	PAGE NO.: 40 & 41
----------------------------	----------------------

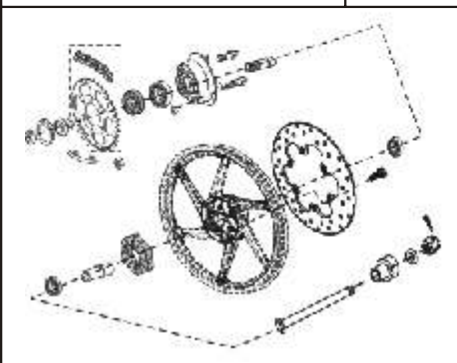


PLATE NO. : 32 FRONT HUB	PAGE NO.: 37
-----------------------------	-----------------

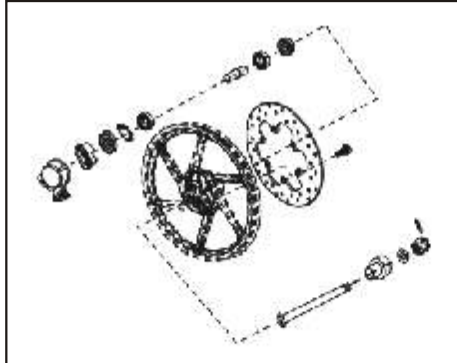


PLATE NO. : 34 FRONT DISC BRAKE	PAGE NO.: 39
------------------------------------	-----------------

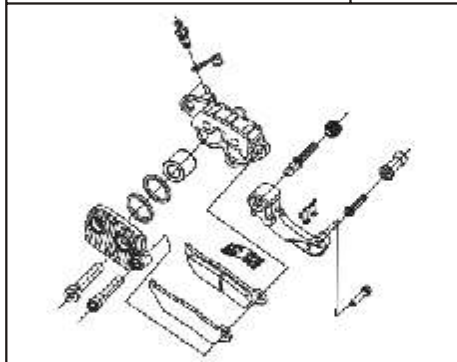


PLATE NO. : 36 REAR DISC BRAKE	PAGE NO.: 42
-----------------------------------	-----------------

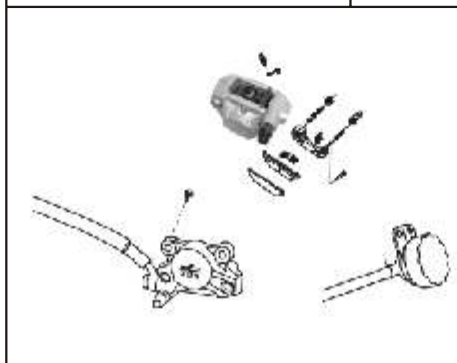


PLATE NO. : 37 REAR BRAKE PEDAL	PAGE NO.: 43
------------------------------------	-----------------

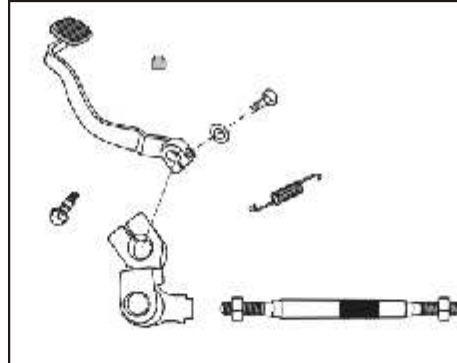


PLATE NO. : 39 FORK ASSEMBLY	PAGE NO.: 46 & 47
---------------------------------	----------------------

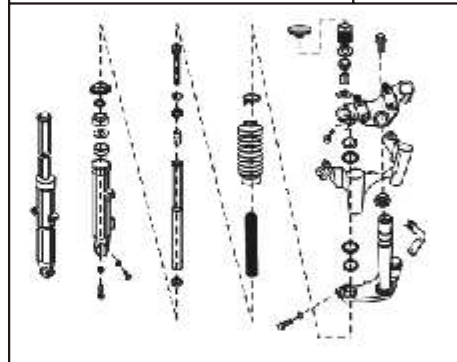


PLATE NO. : 41 CAP TANK AND GAUGE FUEL	PAGE NO.: 50 & 51
---	----------------------

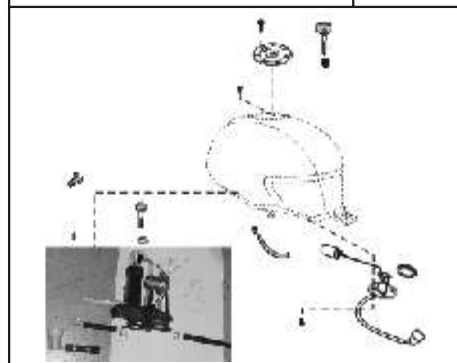


PLATE NO. : 38 HANDLE BAR	PAGE NO.: 44 & 45
------------------------------	----------------------

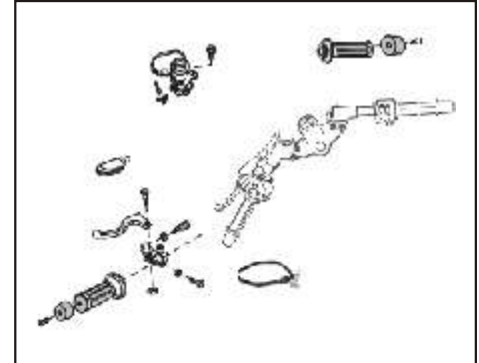


PLATE NO. : 40 PAINTED PARTS & DECALS	PAGE NO.: 48 & 49
--	----------------------

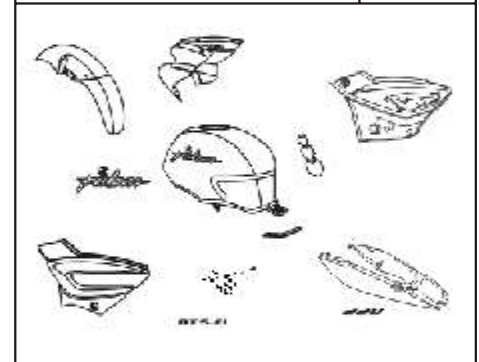


PLATE NO. : 42 FITTING PETROL TANK, SIDE COVER AND COVER SEAT	PAGE NO.: 52
--	-----------------

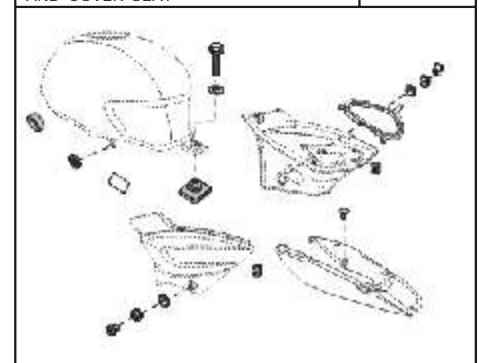


PLATE NO. : 43 METER ASSEMBLY	PAGE NO.: 53
----------------------------------	-----------------

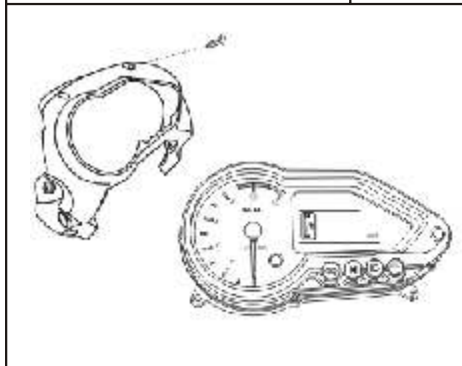


PLATE NO. : 45 CHAIN COVER	PAGE NO.: 55
-------------------------------	-----------------

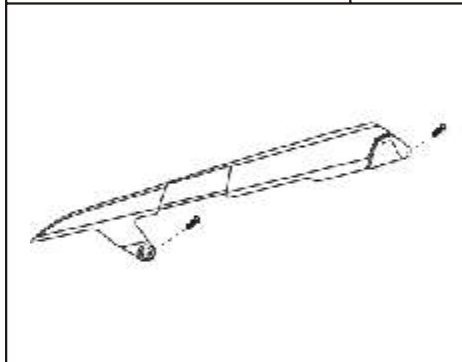


PLATE NO. : 47 INDICATOR LIGHTS ASSLY.	PAGE NO.: 57
---	-----------------



PLATE NO. : 44 CONTROL CABLES	PAGE NO.: 54
----------------------------------	-----------------



PLATE NO. : 46 HEAD LAMP & FAIRING	PAGE NO.: 56
---------------------------------------	-----------------

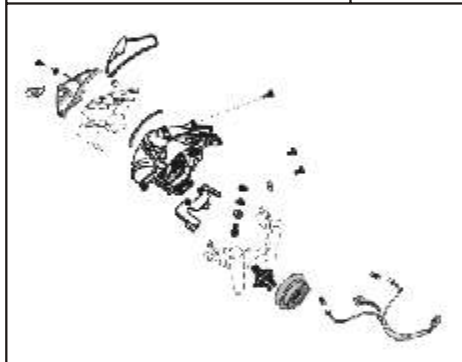


PLATE NO. : 48 FEARING & MOUNTING	PAGE NO.: 58 & 59
--------------------------------------	----------------------

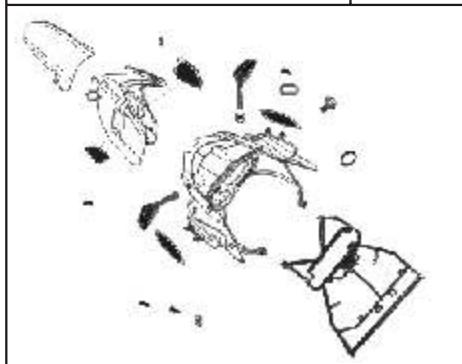


PLATE NO. : 49 TAIL LAMP ASSEMBLY / FRONT & REAR NUMBER PLATE	PAGE NO.: 60
---	-----------------

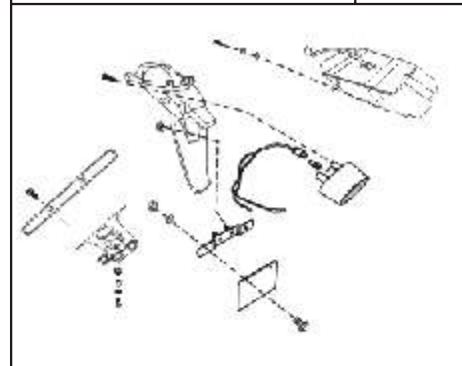


PLATE NO. : 51 TOOL KIT	PAGE NO.: 63
----------------------------	-----------------

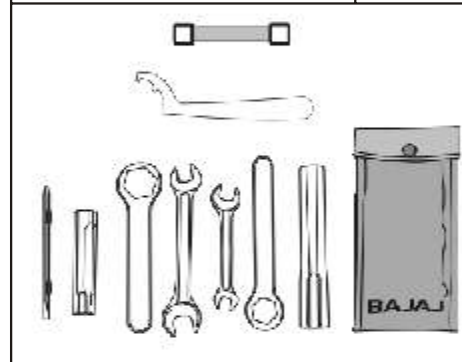


PLATE NO. : 50 ELECTRICAL EQUIPMENTS	PAGE NO.: 61 & 62
---	----------------------

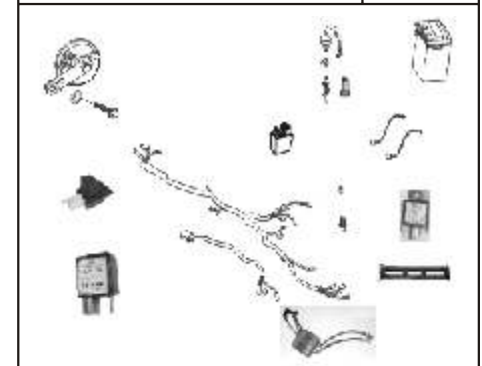
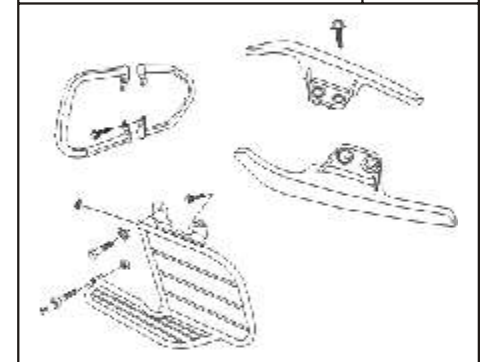
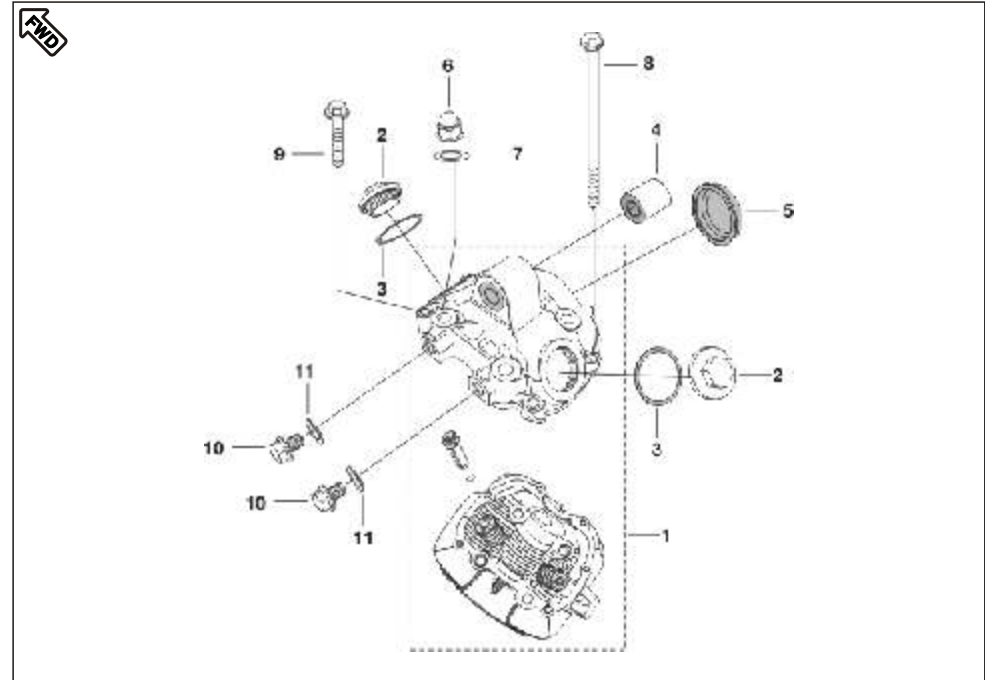


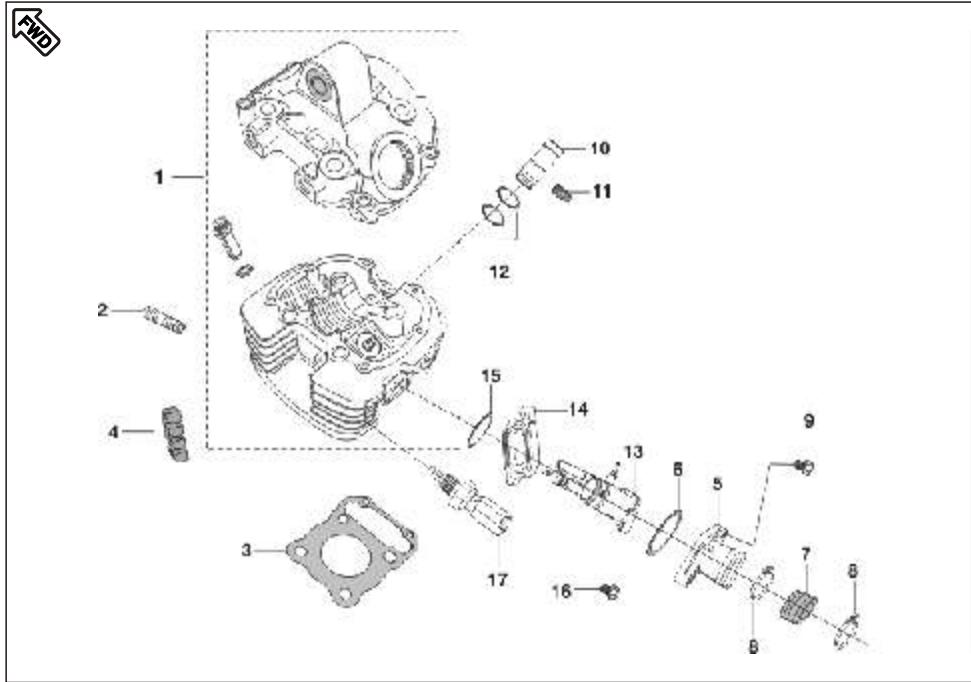
PLATE NO. : 52 ACCESSORIES / GRAB HANDLE	PAGE NO.: 64
---	-----------------



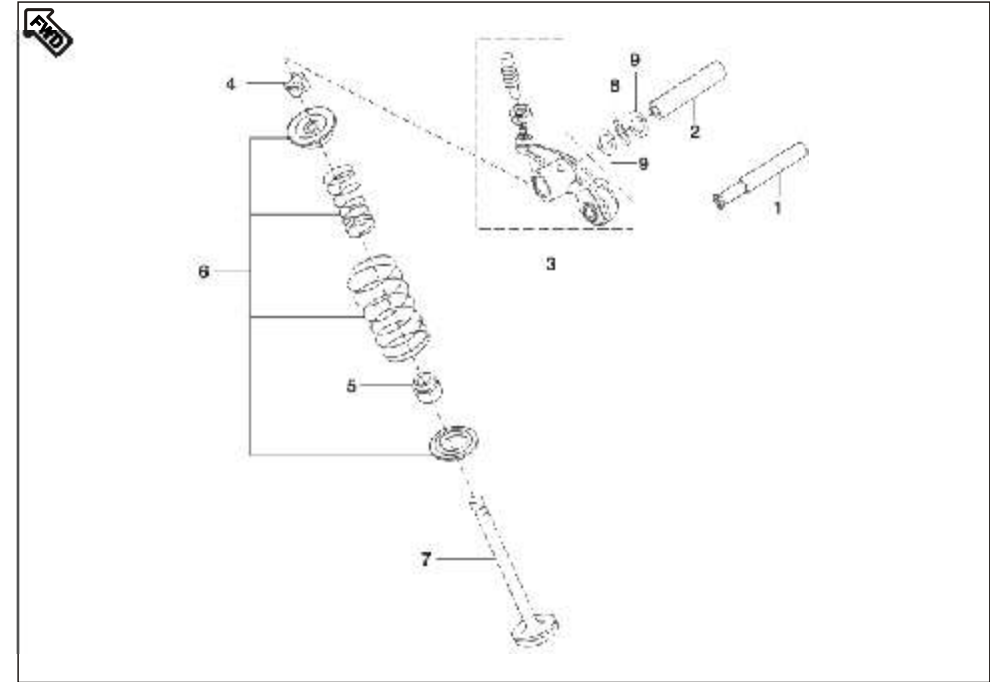


No.	Part No.	Description	Qty/ Veh.	Remarks
1	DK 1013 25	Head Cylinder with Cover	1	Ref. page no. 65
2	DJ 1012 17	Cover Tappet	2	
3	36 DS10 01	'O' Ring Kit for Cover Cyl. Head	1	
4	DS 1011 66	Silent Bush (V)	1	
5	DS 1010 96	Camshaft Cap	1	
6	39 2647 15	Domed Cap Nut	4	
7	DS 1010 84	Copper gasket	4	
8	59 0400 23	Hex. Bolt with Flange	2	
9	39 1075 04	Hex. Bolt with Flange	4	
10	DH 1012 72	Plug	2	
11	31 1011 06	Gasket	2	

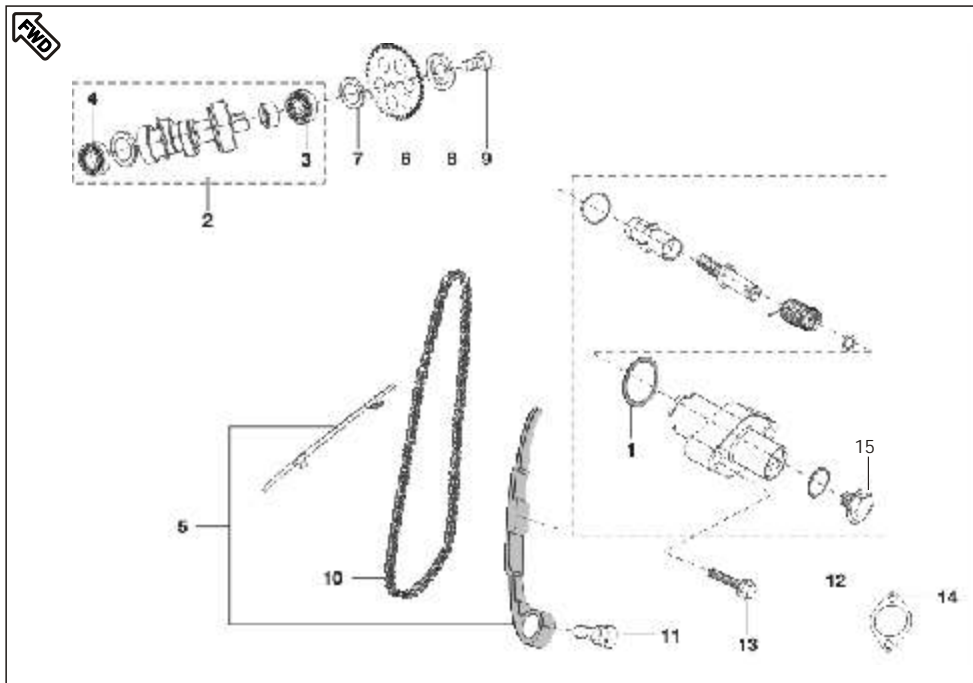




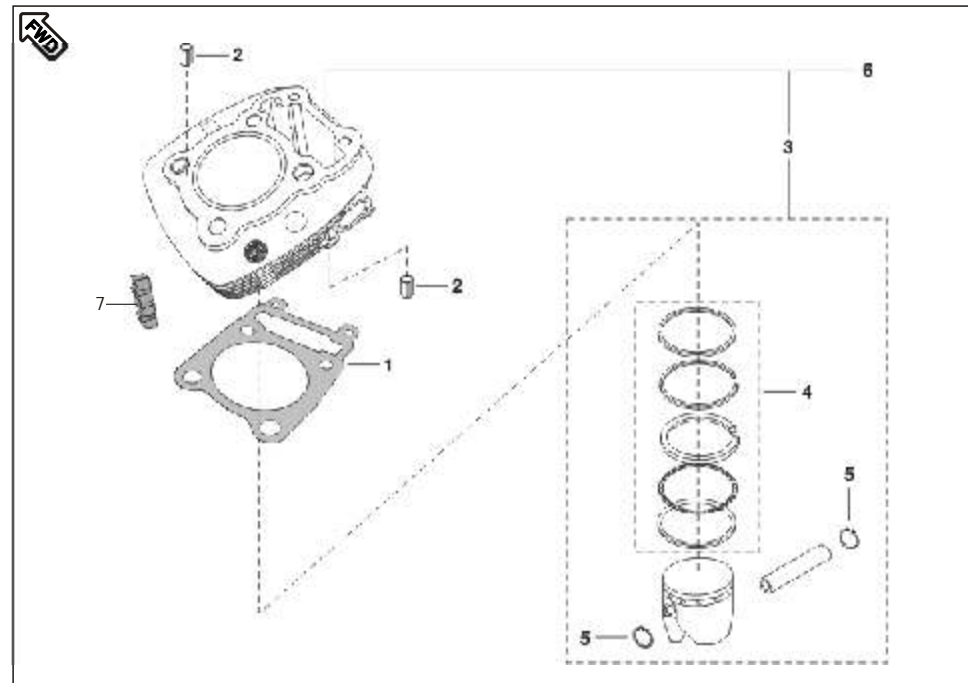
No.	Part No.	Description	Qty/ Veh.	Remarks
1	DK 1013 25	Head Cylinder with Cover	1	
2	39 1660 05	Stud (Exhaust)	2	
3	DK 1010 03	Gasket Cylinder Head	1	
4	DH 1015 08	Damper Cylinder Head	5	
5	DH 1014 07	Intake Pipe	1	
6	39 1283 21	'O' Ring (Intake Pipe)	1	
7	DH 1211 06	Insulator	1	
8	DH 1210 38	Clamp for Insulator	2	
9	39 1674 04	Hex. Bolt / Flange	2	
10	DH 1110 12	Sleeve - Spark Plug	1	
11	39 2608 01	Grub Screw	1	For Sleeve Spark Plug
12	36 DS10 01	'O' Ring Kit for Cover Cyl. Head	1	Ref. page no. 65
13	DK 1011 01	Manifold	1	
14	DK 1011 00	Insulator manifold	1	
15	59 2100 08	"O" ring insulator	1	
16	39 1705 04	Hex bolt	1	
17	AP 1110 10	Engine temperature sensor	1	
18	DK 1011 11	Spacer injector	1	
19	39 1759 04	Bolt	1	
20	30 1110 41	Washer	1	



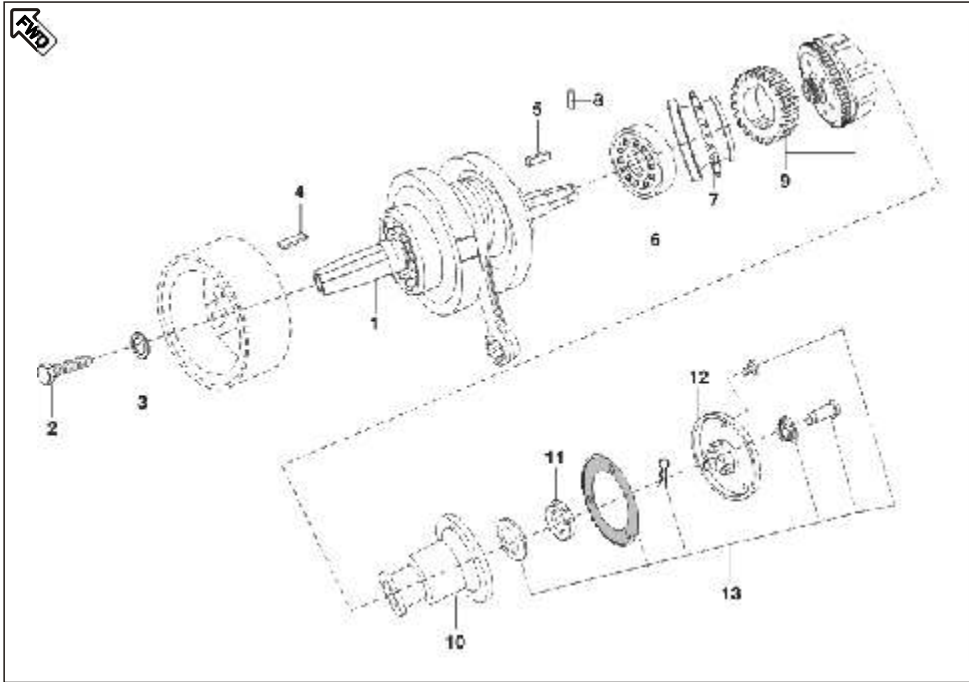
No.	Part No.	Description	Qty/ Veh.	Remarks
1	DS 1013 35	Rocker Arm Shaft - Intake	1	
2	DS 1013 36	Rocker Arm Shaft - Exhaust	1	
3	DS 1013 33	Rocker Arm with roller	2	
4	DG 1010 29	Collet	4	
5	39 2017 19	Seal valve stem	2	
6	DK 1013 26	Valve Repair Kit	1	Ref. page no. 65
7	DK 1013 27	Valve Kit	1	Ref. page no. 65
8	DS 1013 66	Wave washer	2	
9	59 1100 02	Plain washer	4	
10	DU 1010 63	Roller needle	1	



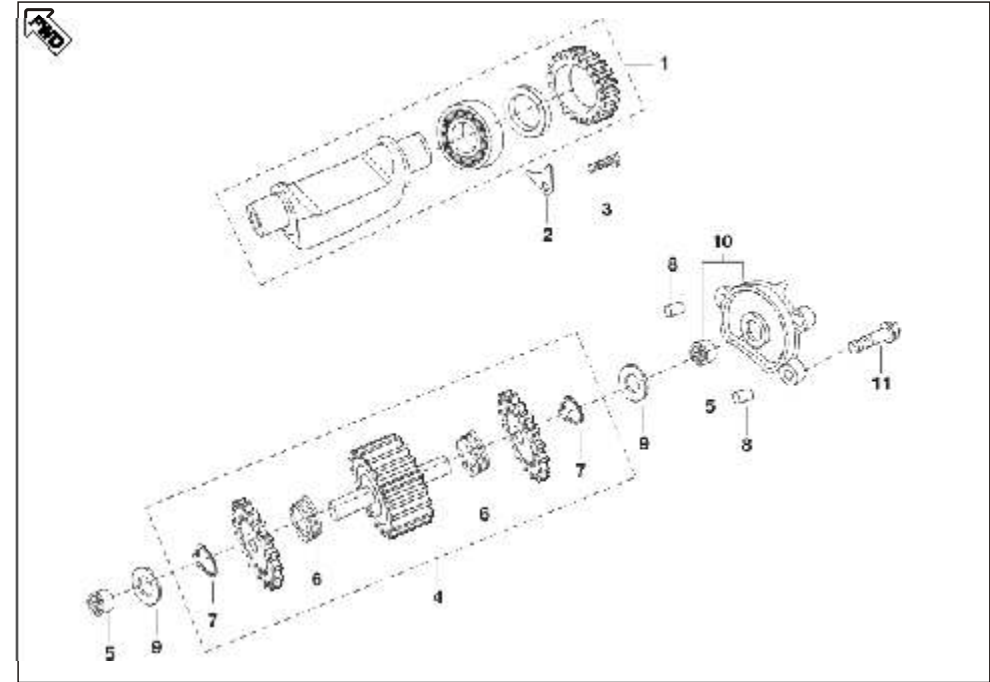
No.	Part No.	Description	Qty/ Veh.	Remarks
1	39 2669 21	Ring 'O'	1	
2	DK 1010 79	Camshaft Assembly	1	
3	39 2542 20	Bearing cam RH side	1	
4	39 2617 20	Bearing cam LH side	1	
5	DK 1013 30	Guide chain Kit	1	Ref. page no. 65
6	DS 1012 76	Sprocket cam Driven (32 T)	1	
7	DH 1014 12	Collar cam Sprocket	1	
8	DH 1010 48	Special camshaft washer	1	
9	59 0400 31	Hex. Soc. Head cap Bolt	1	
10	DK 1010 64	Cam Chain (100 link)	1	
11	DH 1013 92	Cam chain Tensioner pivot Bolt	1	
12	DK 101025	Tensioner Assly	1	
13	39 1673 04	Hex Bolt / Flange	2	
14	CS 1011 28	Tensioner assly. gasket	1	
15	DD 1010 62	Bolt Flange	1	



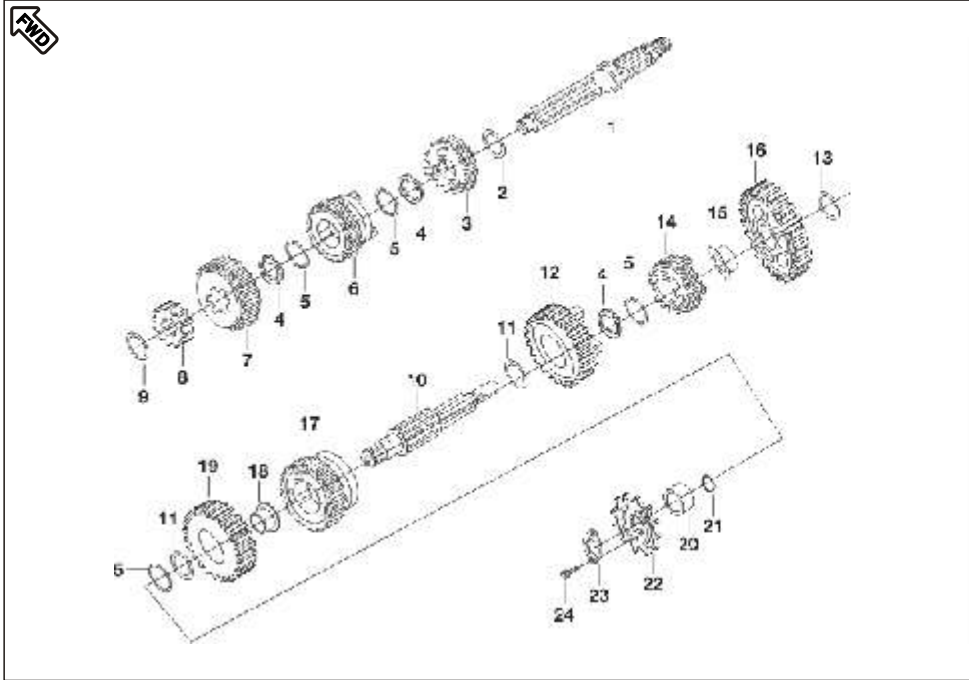
No.	Part No.	Description	Qty/ Veh.	Remarks
1	DK 1010 63	Gasket Cylinder	1	
2	39 2181 06	Pin dowel	4	
3	DK 1010 92	Piston Assly. Std.	1	
4	xxxxxxx	Ring Set Piston	1	Ref. page no. 65
5	39 2132 17	Ring Snap	2	
6	DK 1013 29	Cylinder Block / Piston Assly	1	
7	DH 1014 14	Damper	4	



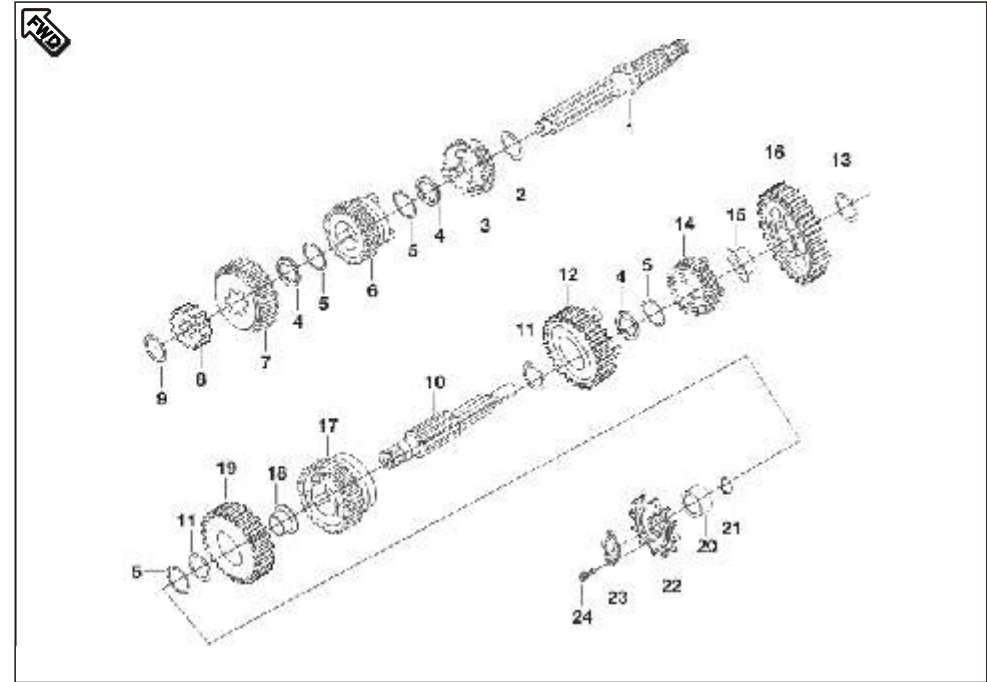
No.	Part No.	Description	Qty/ Veh.	Remarks
1	DK 1010 65	Crankshaft assly. comp.	1	
2	39 2183 04	Bolt primary drive lock	1	
3	39 2165 11	Plain washer	1	
4	31 1011 73	Key woodruff	1	
5	DS 1011 54	Square Key	1	
6	39 1931 20	Bearing Ball	1	
7	DK 101248	Sprocket cam drive (16 T)	1	
8	39 2203 07	Parallel pin	1	
9	36 DK00 29	Set Primary Drive Driven	1	
10	DH 1010 64	Body centrifugal oil filter	1	
11	DH 1011 95	Nut	1	
12	DH 1010 65	Cover centrifugal oil filter	1	
13	36 DK00 07	Kit centrifugal oil filter	1	Ref. page no. 65



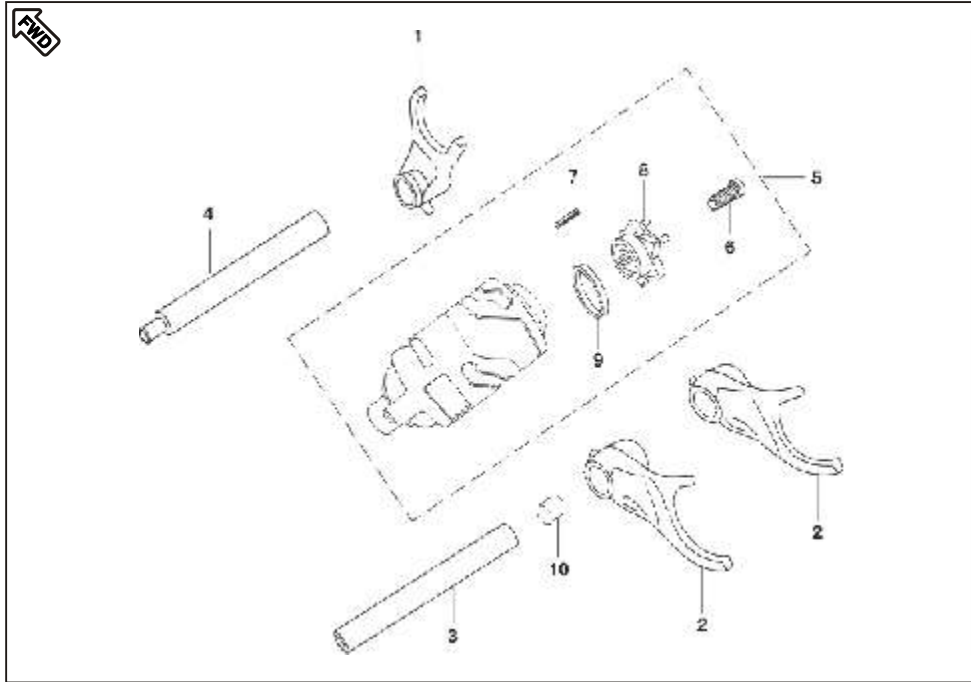
No.	Part No.	Description	Qty/ Veh.	Remarks
1	DK 1012 24	Body Balancer Assly.	1	
2	DH 1010 72	Bearing stopper	1	
3	39 1672 04	Bolt	1	
4	DJ 1011 34	Assly. Balancer Idler Gear comp.	1	
5	39 2152 20	Needle roller bearing	2	
6	DJ 1011 33	Spring torsion Balancer Idler	2	
7	39 2557 17	Circlip ext.	2	
8	39 1686 06	Dowel Pin	2	
9	39 1620 11	Spring steel washer	2	
10	DH 1014 35	Balancer Idler Holder	1	
11	39 1674 04	Hex bolt with flange	3	



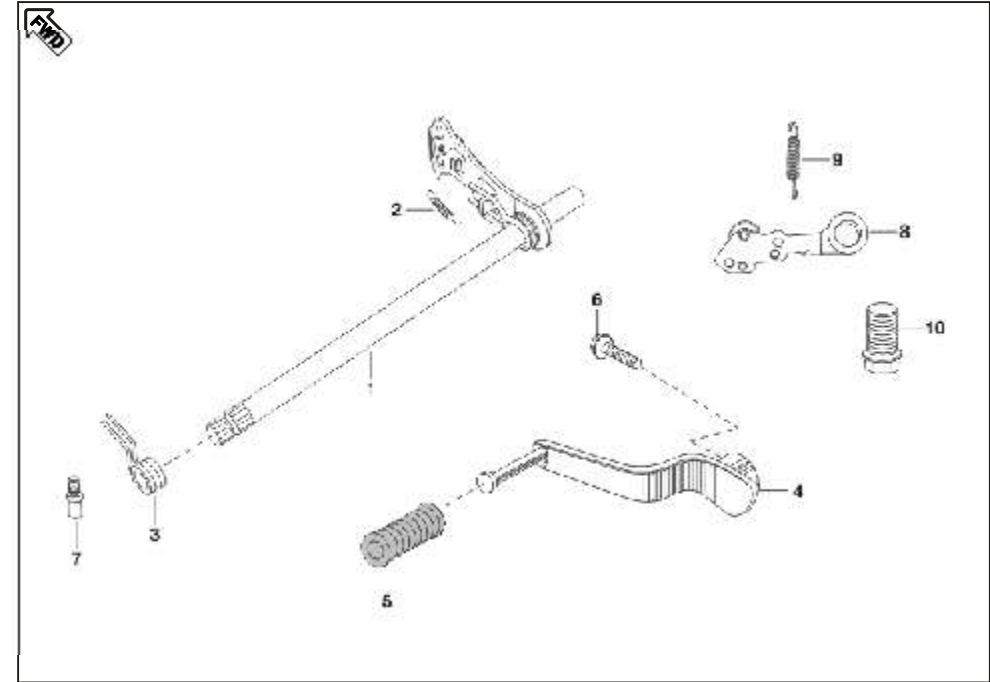
No.	Part No.	Description	Qty/ Veh.	Remarks
1	DK 1011 25	Shaft Input Transmission	1	
2	39 2158 11	Washer plain	2	
3	DK 1011 03	Gear 4th Drive	1	
4	DH 1010 79	Washer Spline	3	
5	DH 1012 35	External Circlip	4	
6	DK 1011 02	Gear 3rd Drive	1	
7	DK 1011 04	Gear 5th drive	1	
8	DH 1010 84	Gear 2nd drive	1	
9	39 2160 11	Plain washer	1	
10	DK 1011 45	Shaft output Transmission	1	
11	DH 1013 36	Washer Thrust	2	
12	DK 1011 05	Gear 3rd Driven	1	
13	DH 1010 79	Washer spline	2	
14	DK 1011 06	Gear 4th Driven	1	
15	DH 1011 11	Bush 1st driven	1	



No.	Part No.	Description	Qty/ Veh.	Remarks
16	DK 1011 18	Gear 1st driven	1	
17	DK 1011 07	Gear 5th Driven	1	
18	DH 1013 19	Bush 2nd driven	1	
19	DH 1013 33	Gear 2nd Driven	1	
20	DK 1012 45	Collar Sprocket	1	
21	30 1010 61	'O' Ring Sprocket Coller	1	
22	DV 1010 48	Sprocket Drive	1	
23	DJ 1010 63	Plate Drive Sprocket	1	
24	39 1062 04	Bolt flange	2	

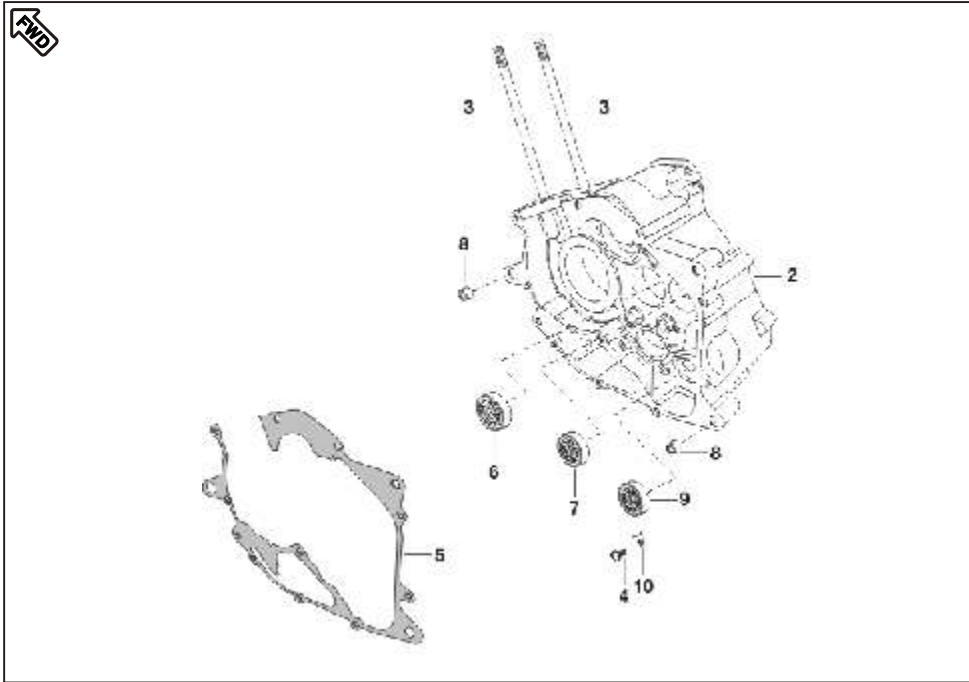


No.	Part No.	Description	Qty/ Veh.	Remarks
1	DK 1011 59	Fork Gear Shift Input	1	
2	DK 1011 60	Fork Gear Shift output	2	
3	DH 1011 46	Shaft Gear Shift Fork	1	
4	DH 1014 93	Shaft Gear Shift Fork	1	
5	DK 1013 62	Drum comp. Gear Shift	1	
6	39 2639 04	Bolt Socket	1	
7	39 2606 07	Parallel pin	1	
8	DK 1013 61	Guide Gear Shifter	1	
9	DH 1014 96	Spacer	1	
10	DK 1011 35	Bush Fork Gear Shift	1	

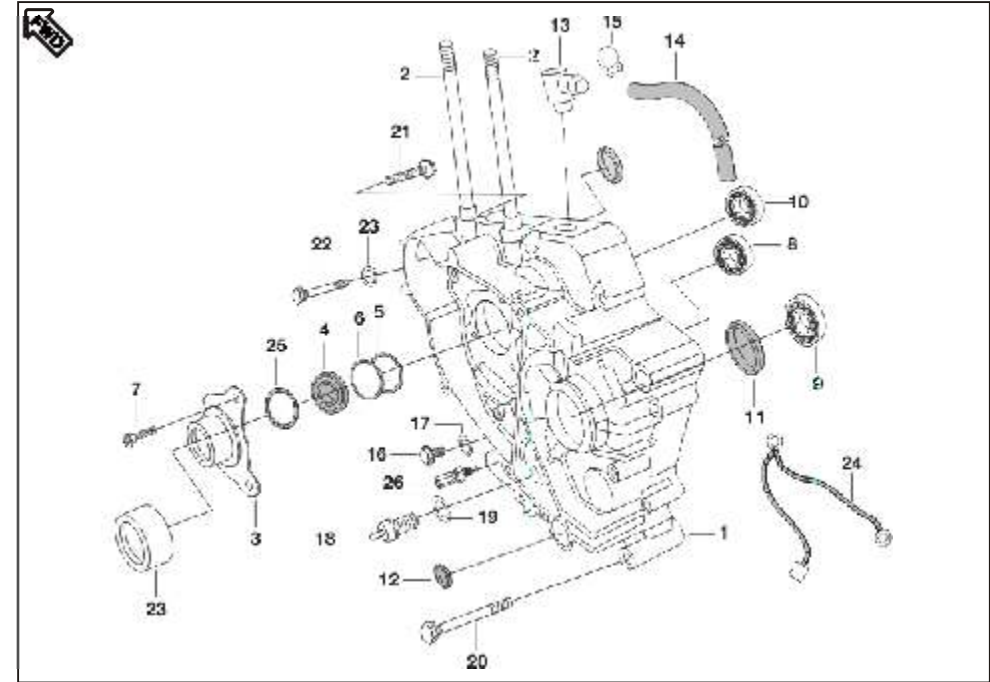


No.	Part No.	Description	Qty/ Veh.	Remarks
1	DH 1017 05	Lever comp. Gear Shifter	1	
2	DH 1017 14	Spring Slider Arm Reset	1	
3	DH 1011 44	Spring Gear Shifter Return	1	
4	DK 1011 82	Lever gear shift	1	
5	31 1011 08	Damper	1	
6	39 2453 04	Flanged Bolt	1	
7	DH 1013 93	Bolt Gear Shift drum Stopper	1	
8	DH 1015 03	Stopper Gear Shifter Drum	1	
9	DK 1012 53	Spring Gear Shifter Drum Stopper	1	
10	DH 1013 94	Bolt Shift Change	1	
11	39 1998 19	Oil seal	2	
12	DK 1011 87	Collar	1	
13	DK 1011 80	Assembly tie rod	1	
14	DK 1011 85	Washer pivot	1	
15	DK 1011 86	Pivot bolt	1	

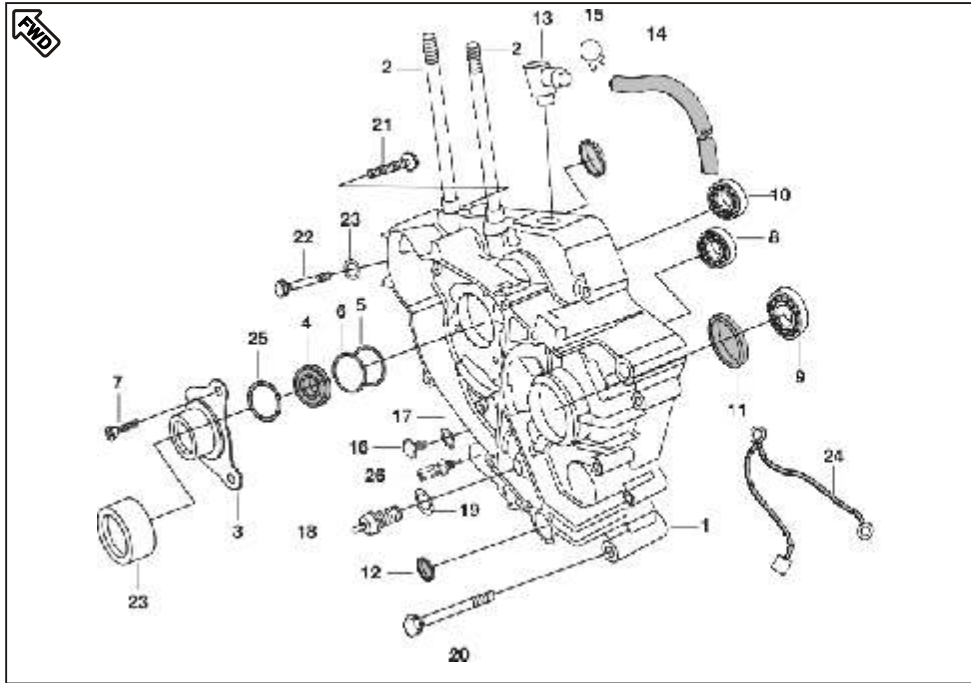




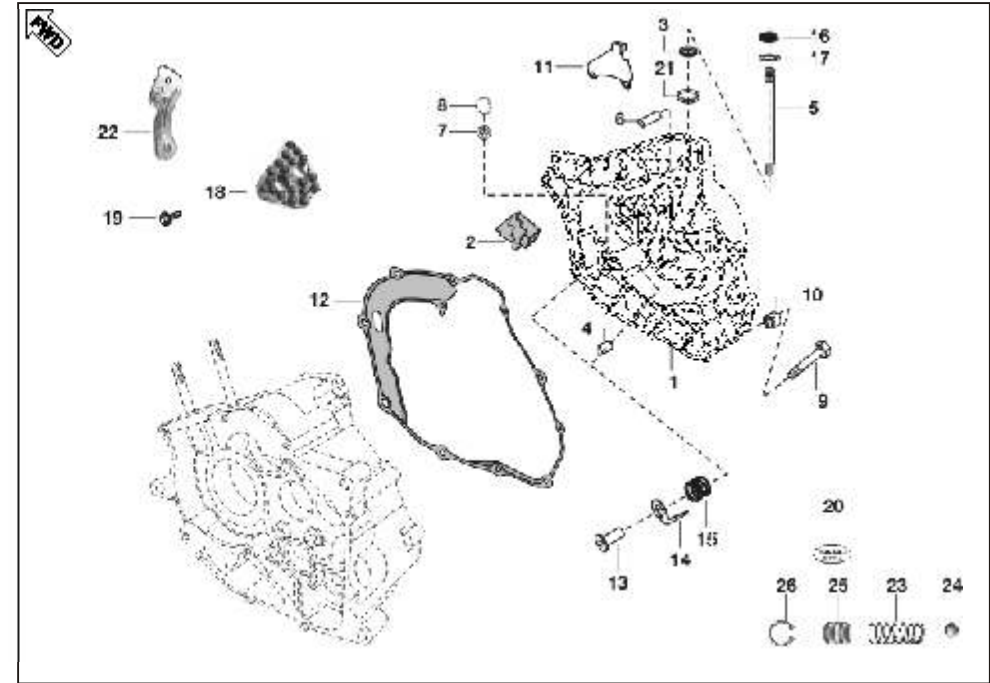
No.	Part No.	Description	Qty/ Veh.	Remarks
1	DK 1010 70	Engine Assly. with starter motor	1	N I
2	DK 1010 57	Crankcase RH	1	
3	59 0500 02	Stud	2	
4	DH 1013 83	Bolt Flanged	1	
5	DH 1010 06	Gasket Crankcase	1	
6	39 2583 20	Bearing Ball (For Input shaft)	1	
7	59 2000 27	Bearing Ball (For Output shaft)	1	
8	39 2180 06	Dowel Pin	2	
9	39 2601 20	NRB	1	(For Dr. Comp. Gear Shift)
10	DH 1014 87	Plate Stopper	1	



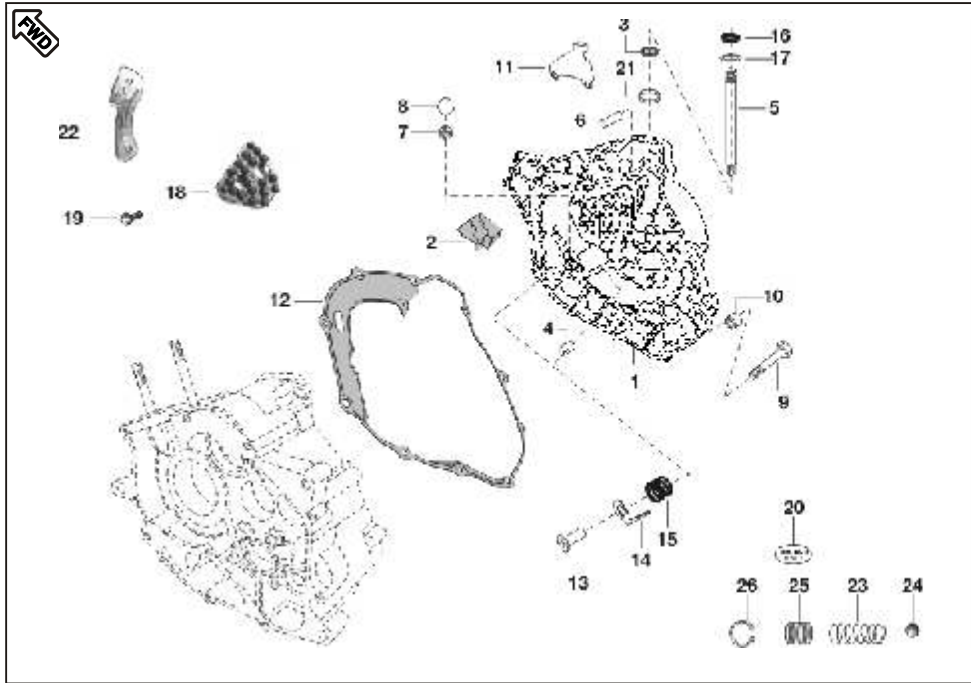
No.	Part No.	Description	Qty/ Veh.	Remarks
1	DK 1010 87	Crankcase LH	1	with benjo
2	59 0500 02	Stud	2	
3	DK 1010 94	Guide starter assly	1	
4	39 2188 19	Oil Seal	1	
5	59 2100 06	O' Ring	1	
6	DK 1010 97	Damper	1	
7	39 0752 01	C' Sunk Head Screw	3	
8	39 2603 20	Bearing Ball (For Input shaft)	1	
9	59 2000 06	Bearing Ball (For Output shaft)	1	
10	39 2185 20	Balancer LH Bearing	1	
11	30 1010 14	Oil Seal (For Output shaft)	1	
12	39 2190 19	Oil Seal (For Shift lever)	1	
13	DH 1012 03	Breather pipe	1	
14	DH 1012 46	Rubber tube	1	
15	28 1011 74	Spring Clip	1	



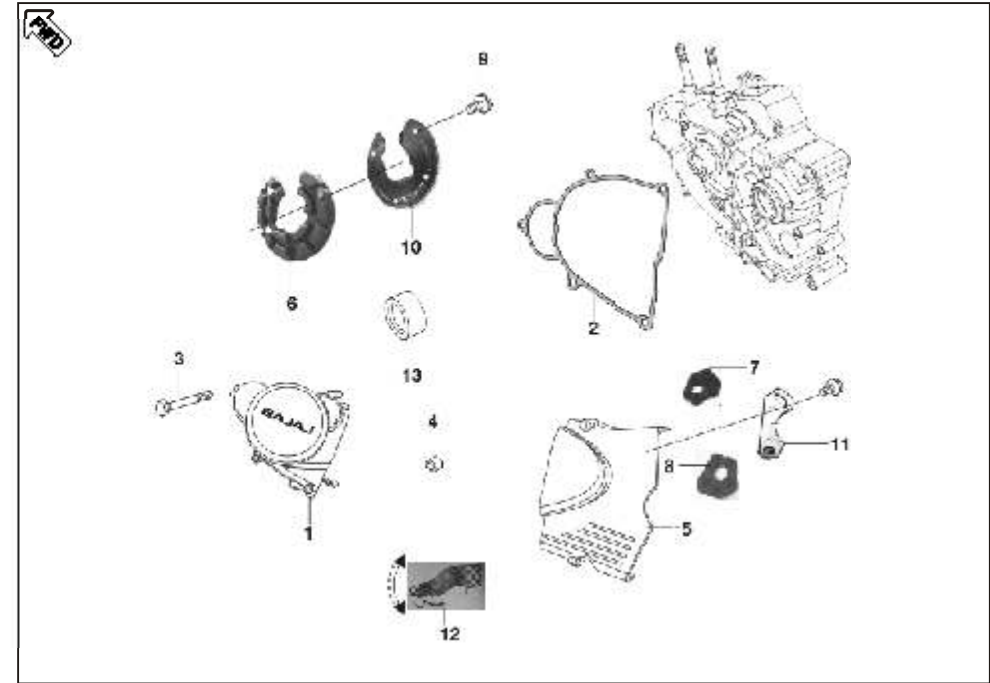
No.	Part No.	Description	Qty/ Veh.	Remarks
16	DH 1016 61	Plug (Drain Bolt)	1	
17	31 1011 06	Gasket (For Drain Bolt)	1	
18	31 2010 81	Switch comp.(Neutral)	1	
19	DH 1017 84	Gasket Neutral Switch	1	
20	39 1845 04	Flanged Bolt	1	
21	39 1677 04	Bolt	8	
22	39 2305 04	Bolt	1	
23	DH 1011 69	NRB	1	
24	DJ 2010 21	Cable assly. (Battery to Earth)	1	
25	39 2448 11	Plain Washer	1	
26	DK 1011 24	Thermal sensor with AL gasket	1	



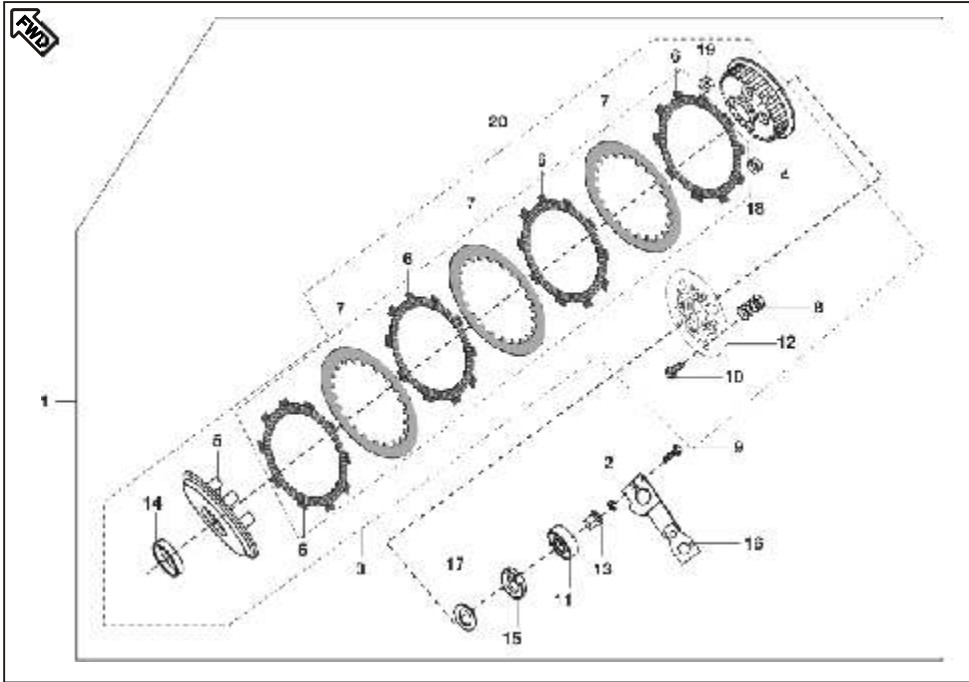
No.	Part No.	Description	Qty/ Veh.	Remarks
1	DK 1010 76	Cover comp RH	1	
2	DH 1011 97	Grommet Breather	1	
3	39 1041 19	Seal clutch lever	1	
4	DH 1011 41	Rack	1	
5	DH 1011 42	Shaft clutch release	1	
6	DK 1012 51	Parallel pin	1	
7	DG 1014 18	Gauge	1	
8	DS 1012 15	Wire circlip	1	
9	DS 1013 53	Bolt	10	
10	39 0999 06	Pin Dowel	2	
11	DK 1012 52	Bracket Clutch Cable	1	
12	DH 1011 54	Gasket cover RH	1	
13	DH 1210 15	Plunger Oil	1	
14	DH 1210 11	Plate Plunger Oil	1	
15	DH 1210 12	Spring Joint 'A'	1	



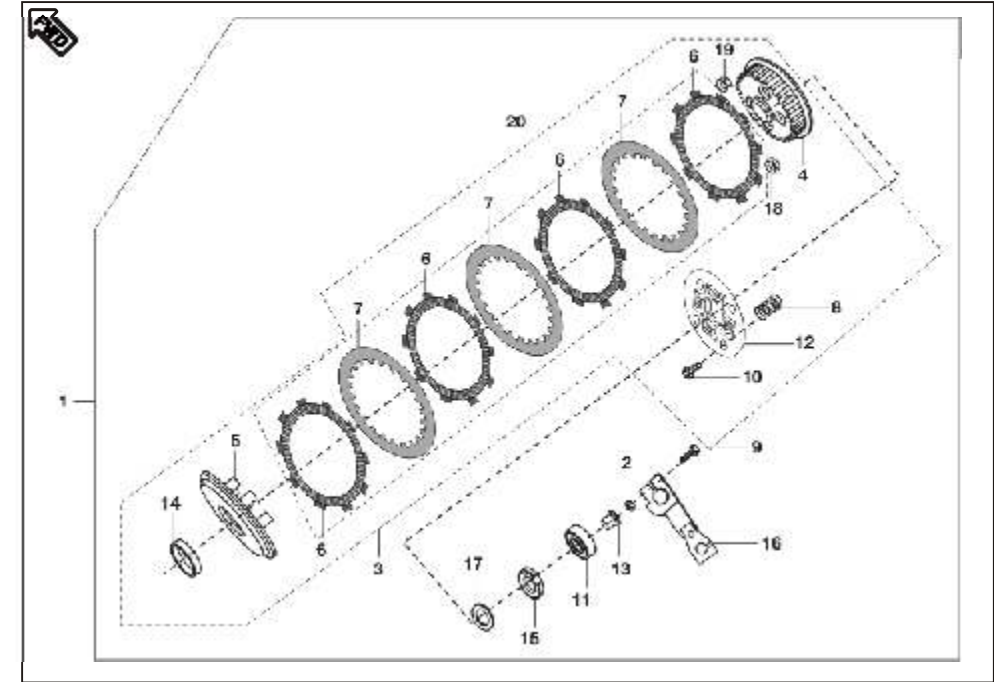
No.	Part No.	Description	Qty/ Veh.	Remarks
16	DH 1015 44	Spring torsion clutch lever	1	
17	39 2443 11	Washer	1	
18	DH 1015 10	Damper	1	
19	DH 1013 88	Flanged Bolt	8	
20	DK 1012 56	'bajaj' Decal	1	Fitted on Cover comp. RH
21	39 1990 20	NRB	2	
22	DH 1014 82	Plate	1	
23	DK 1011 22	Spring relief valve	1	
24	30 1012 36	Ball steel	1	
25	DK 1011 23	Bold relief valve	1	
26	39 2547 17	Intrigal circlip	1	
27	DK 1013 60	Decal clutch cover DTS-Fi	1	N. I.



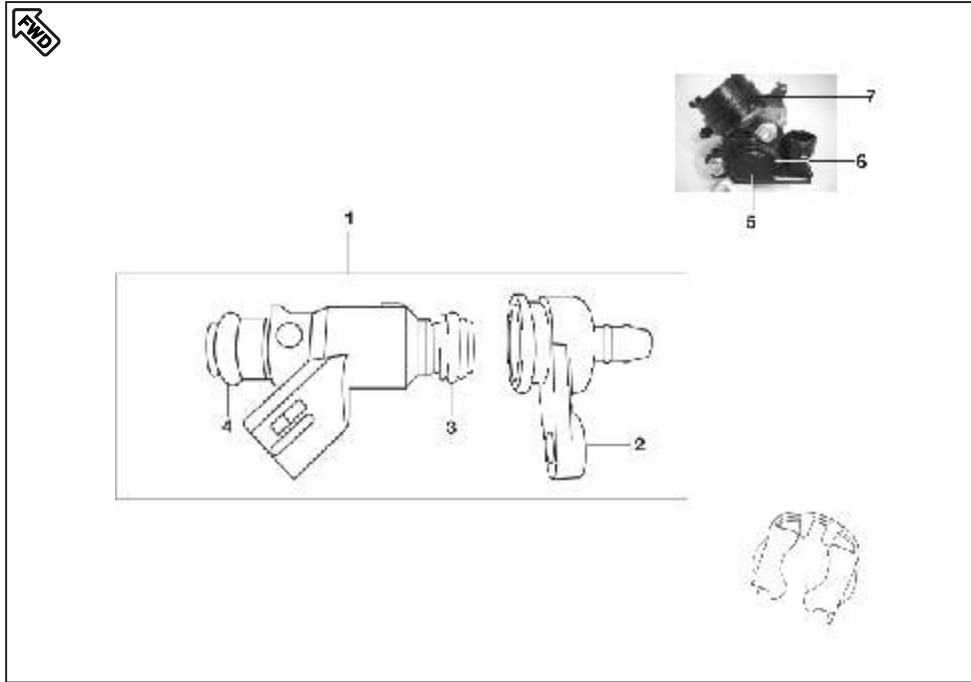
No.	Part No.	Description	Qty/ Veh.	Remarks
1	DK 1010 84	Cover Magneto	1	with NR
2	DV 1010 42	Gasket Magneto cover	1	
3	39 1074 04	Bolt	7	
4	39 0999 06	Pin Dowel	2	
5	DK 1012 22	Cover LH RR	1	
6	DK 1011 91	Damper Cover magneto	1	
7	DH 1012 92	Damper A Cover LH RR	1	
8	DH 1012 94	Damper B Cover LH RR	1	
9	39 2208 04	Flanged Bolt	4	
10	DK 1011 92	Plate Damper	1	
11	DH 1012 93	Plate Damper Cover LH RR	1	
12	DJ 1610 12	Gear Shift Label	1	
13	AP 1010 43	NR bearing	1	



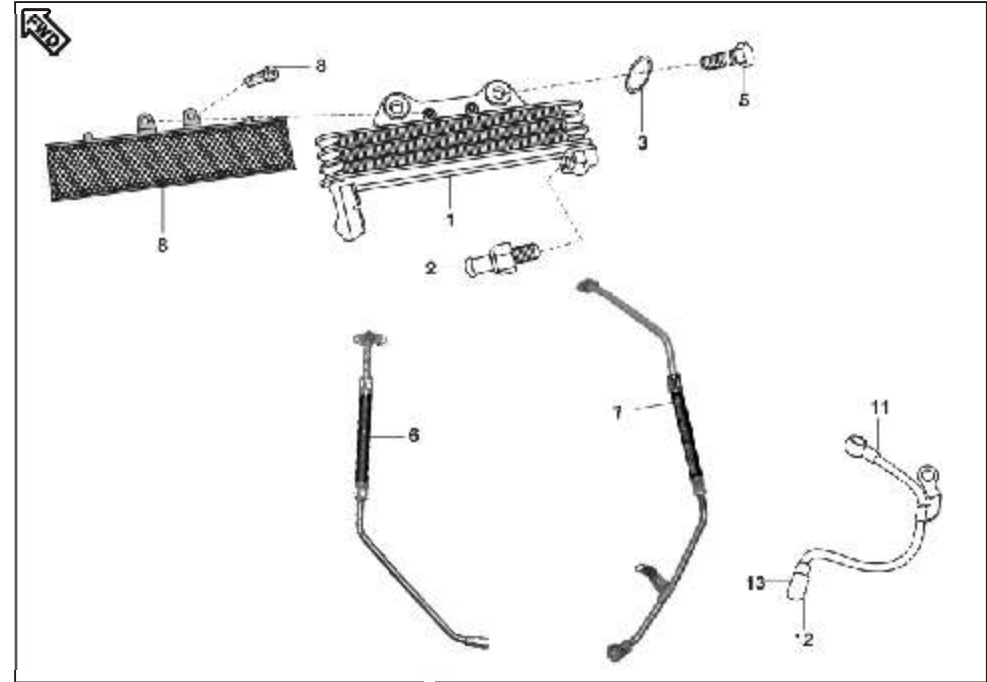
No.	Part No.	Description	Qty/ Veh.	Remarks
1	DK 1010 73	Clutch assembly comp.	1	
2	DH 1012 75	Special Nut	1	
3	DK 1010 75	Clutch Plate Assly	1	
4	DK 1010 01	Clutch Center	1	
5	DK 1011 63	Plate Clutch pressure	1	
6	DK 1011 49	Disc Clutch friction	4	
	DK 1011 50	Disc Clutch friction (B type)	1	
	DK 1012 55	Disc Clutch friction (C type)	1	
7	DK 1011 51	Plate Clutch	5	
8	DK 1011 52	Spring Clutch Capacity	4	
9	39 1674 04	Bolt	1	
10	DK 1011 54	Bolt	4	



No.	Part No.	Description	Qty/ Veh.	Remarks
11	39 1880 20	Bearing Clutch lifter thrust	1	
12	DK 1013 38	Holder Clutch	1	
13	DK 1010 72	Rod Clutch lifter	1	
14	DK 1011 26	Spacer Clutch	1	
15	DH 1015 20	Nut Primary drive lock	1	LH Thread
16	DH 1011 80	Lever Assly. Clutch	1	
17	39 2200 11	Washer Primary Drive Gear	1	
18	DK 1011 53	Seat judder spring	1	
19	DK 1011 55	Spring judder	1	
20	DK 1013 56	Friction clutch plate kit	1	

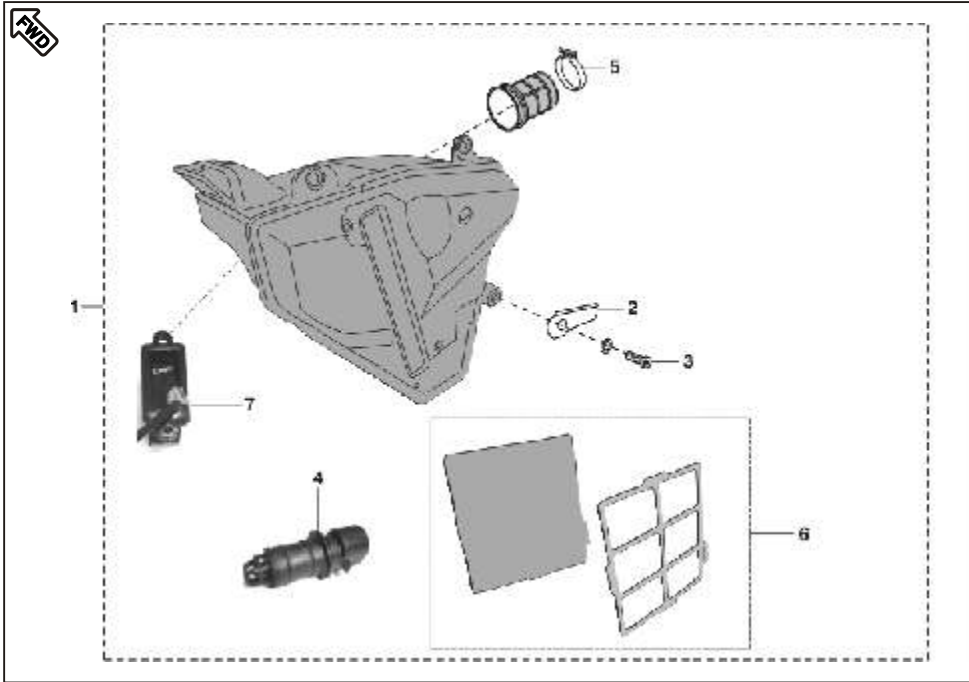


No.	Part No.	Description	Qty/ Veh.	Remarks
1	DK 1210 20	Assembly injector	1	
2	DK 1011 15	Cap injection	1	
3	DK 1013 17	"O" ring	1	Small i.d.
4	DK 1013 18	"O" ring	1	Big i.d.
5	DK 1210 21	Throttle body assly	1	
6	59 1200 04	"O" ring throttle body	1	
7	DK 1011 17	Insulator throttle body	1	

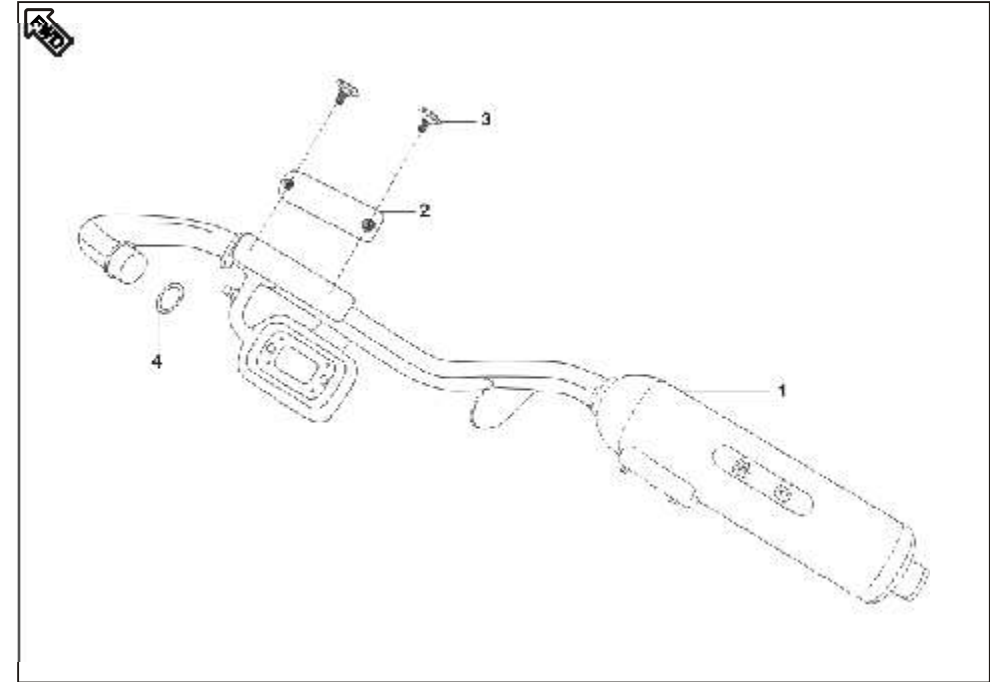


No.	Part No.	Description	Qty/ Veh.	Remarks
1	DK 1011 12	Oil cooler assembly	1	
2	DK 1012 25	Switch oil pressure	1	
3	39 1661 21	O ring	1	
4	JC 1010 17	Assembly oil cooler pipe	1	N.I.
5	39 1672 04	Bolt	1	
6	DK 1012 75	Pipe inlet oil cooler	1	
7	DK 1012 76	Pipe outlet oil cooler	1	
8	39 2637 04	Hexagon head screw	1	
9	DK 1012 36	Banjo bolt	2	N.I.
10	DK 1012 37	Gasket	4	N.I.
11	DK 1012 35	Banjo oil cooler pipe	1	
12	DK 1012 36	Bolt special	2	
13	DK 1012 37	Washer copper	4	

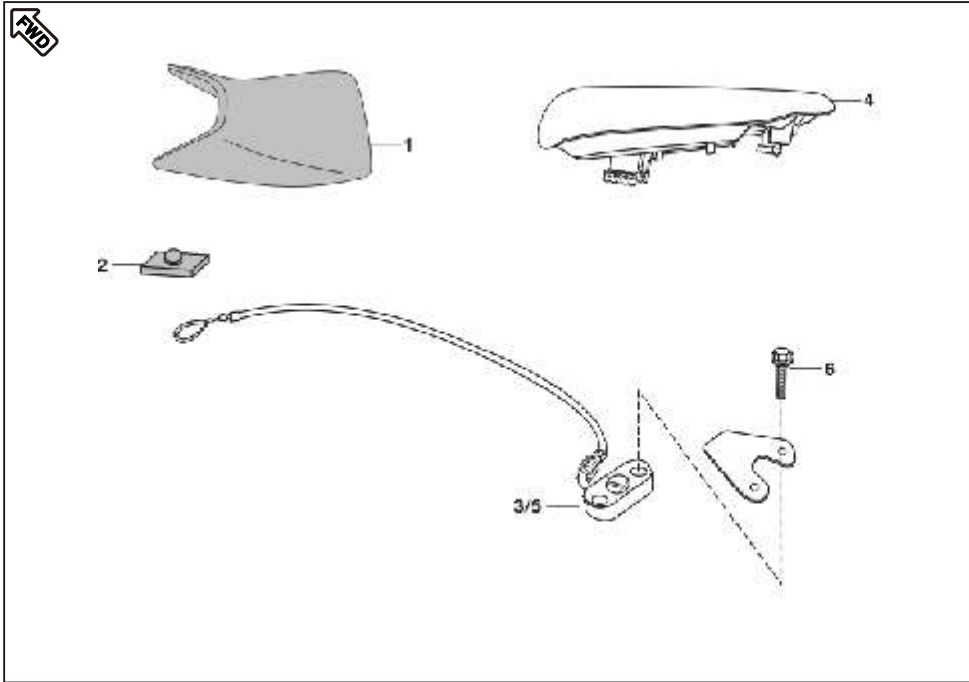




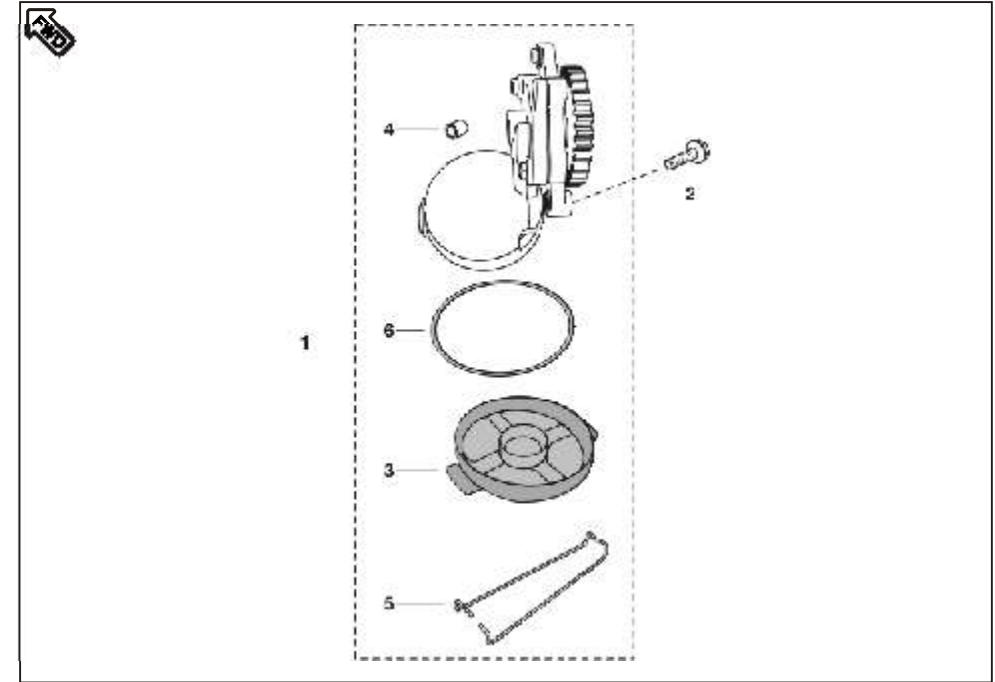
No.	Part No.	Description	Qty/ Veh.	Remarks
1	DK 1210 12	Air Cleaner comp	1	
2	DH 1210 20	Bracket lock	1	
3	39 1780 01	Screw pan	1	
4	DK 1210 19	Intake air temperature sensor	1	
5	DG 1210 02	Clamp	1	
6	36 DK00 15	Kit element air filter	1	
7	DK 1110 10	Sensor air filter	1	
8	DK 1210 09	Assly. element air filter	1	N.I.



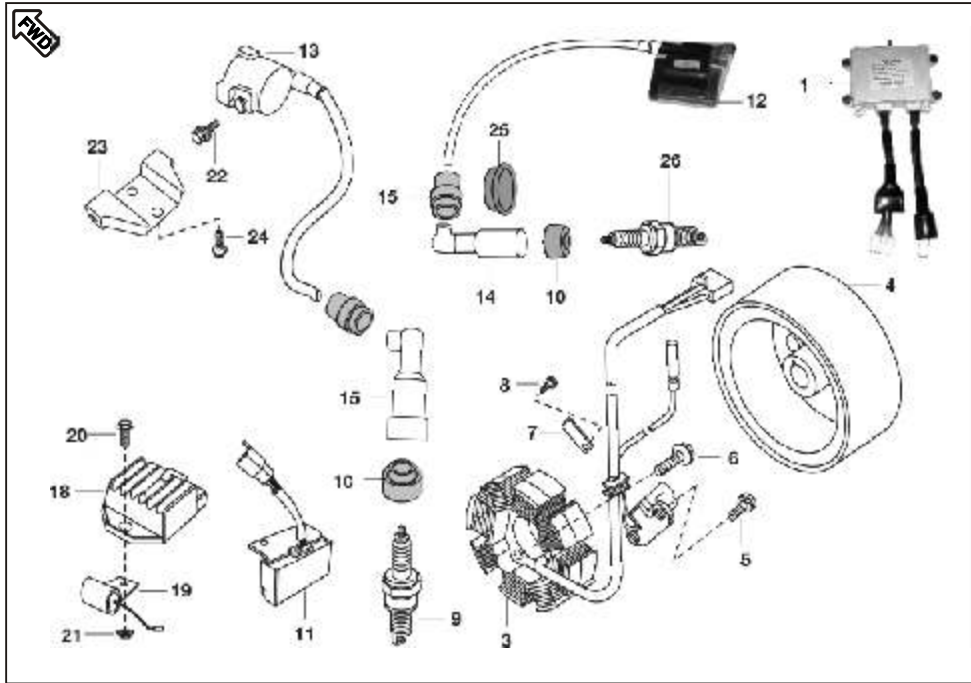
No.	Part No.	Description	Qty/ Veh.	Remarks
1	DK 1012 20	Silencer Assly. w/o shield	1	
2	DH 1016 08	Silencer front shield	1	
3	DH 1016 07	Truss screw	2	
4	DJ 1010 64	Gasket exhaust	1	



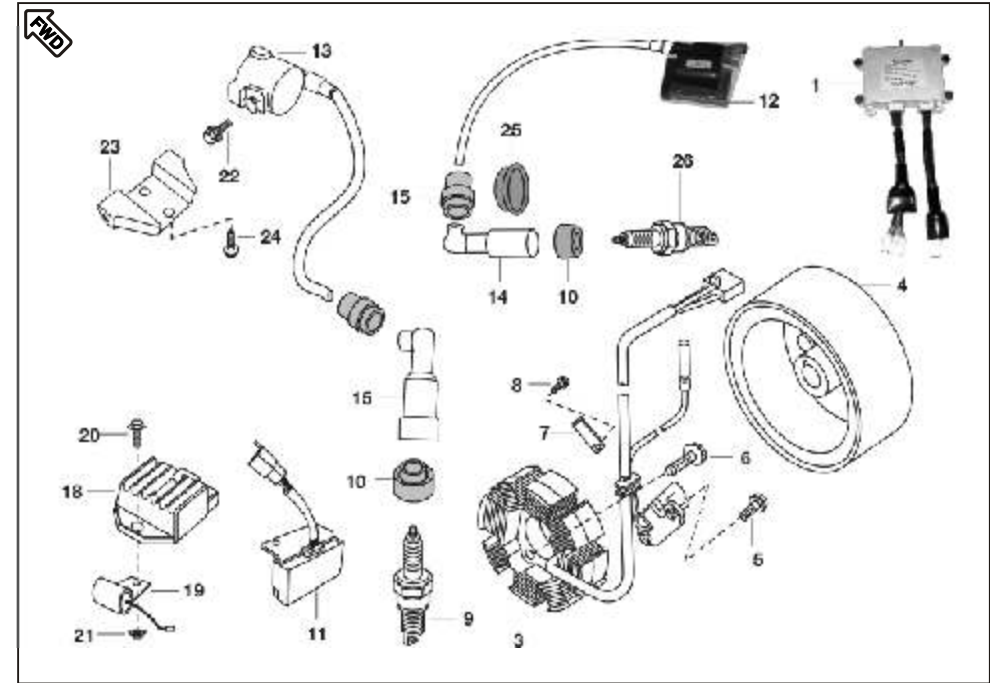
No.	Part No.	Description	Qty/ Veh.	Remarks
1	DK 2110 01	Seat assly comp front	1	
2	DS 2110 05	Damper	2	
3	DH 1610 46	Lock assly seat front	1	
4	DK 2110 04	Seat assly comp rear	1	
5	DK 2110 08	Lock assly seat rear	1	
6	39 1902 04	Bolt flange	2	



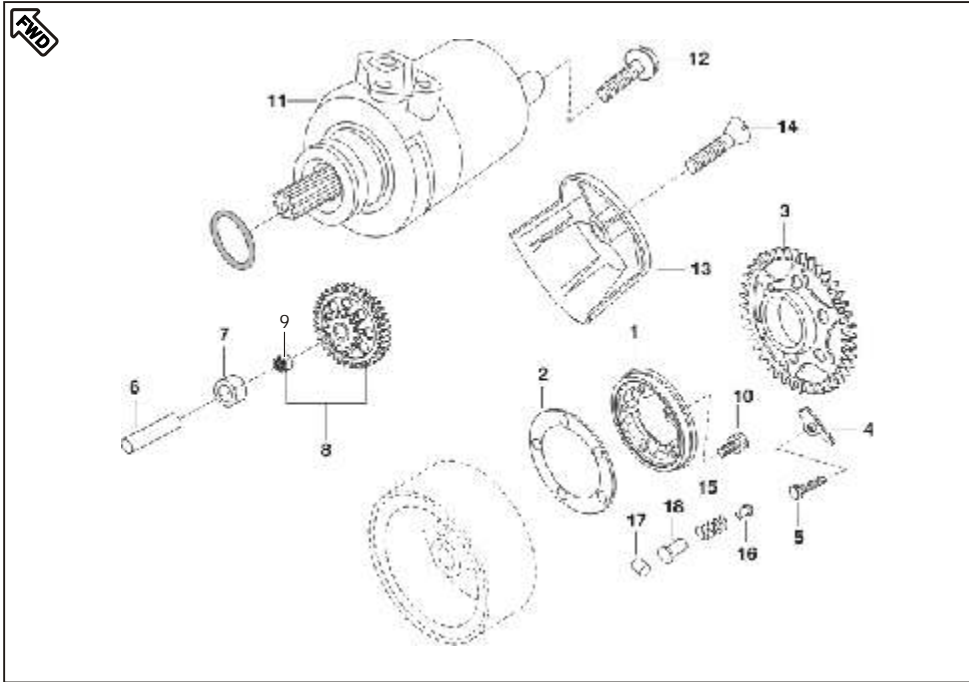
No.	Part No.	Description	Qty/ Veh.	Remarks
1	DK 1012 38	Oil Pump Assly	1	
2	39 1674 04	Hex. Bolt with flange	3	
3	DH 1210 10	Mesh filter Oil pump	1	
4	39 1686 06	Hollow dowel pin	1	
5	DH 1210 35	Clip Mesh Oil filter	1	
6	39 2194 21	'O' Ring	1	



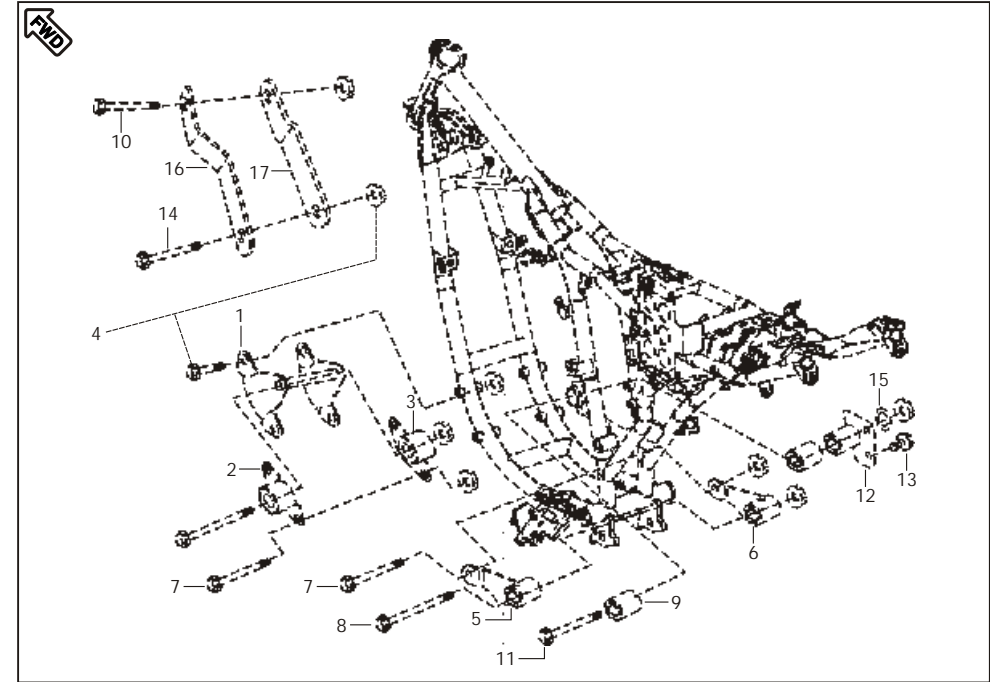
No.	Part No.	Description	Qty/ Veh.	Remarks	
1	DK 1110 04	Engine control unit	1	N.I.	
2	DK 1011 16	Hose vacuum line	1		
3	DK 1110 29	Stator assly. comp.	1		
4	DK 1011 35	Rotor Assly.	1		
5	39 1674 04	Hex. Bolt with Flange	2		
6	39 0761 01	Pan Head Screw	2		
7	DH 1011 99	Stopper plate (wiring harness)	1		
8	39 0746 01	Screw Pan head	1		
9	DK 1110 27	Primary Spark Plug	2		
10	DH 1011 13	Grommet Spark Plug	2		
11	DJ 2011 02	AC/DC Regulator	1		With Aluminum bracket
12	DK 1110 06	H.T. Coil LH	1		
13	DK 1110 08	H.T. Coil RH	1		
14	DH 1110 15	Cap Spark Plug	2		
15	DD 1110 12	Grommet H.T. Cable	2		



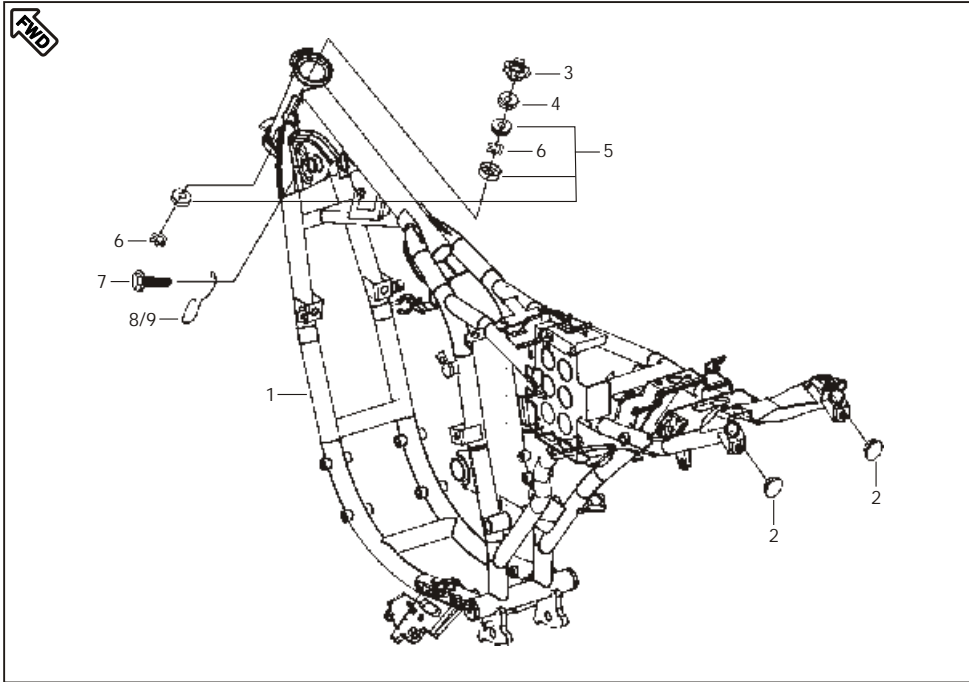
No.	Part No.	Description	Qty/ Veh.	Remarks
17	59 1000 02	Dowel	1	N.I.
18	DK 2010 01	Regulator Voltage	1	
19	DK 2010 36	Capacitor	1	
20	DD 2010 24	Flange Bolt	1	
21	39 0798 15	Flange Nut	1	
22	39 1902 04	Flange Bolt	2	
23	DJ 1610 67	Bracket H.T.Coil	1	
24	39 1680 04	Flange Bolt	2	
25	DH 1110 16	Grommet Sleeve Spark Plug	1	
26	DK 1110 28	Spark Plug	1	



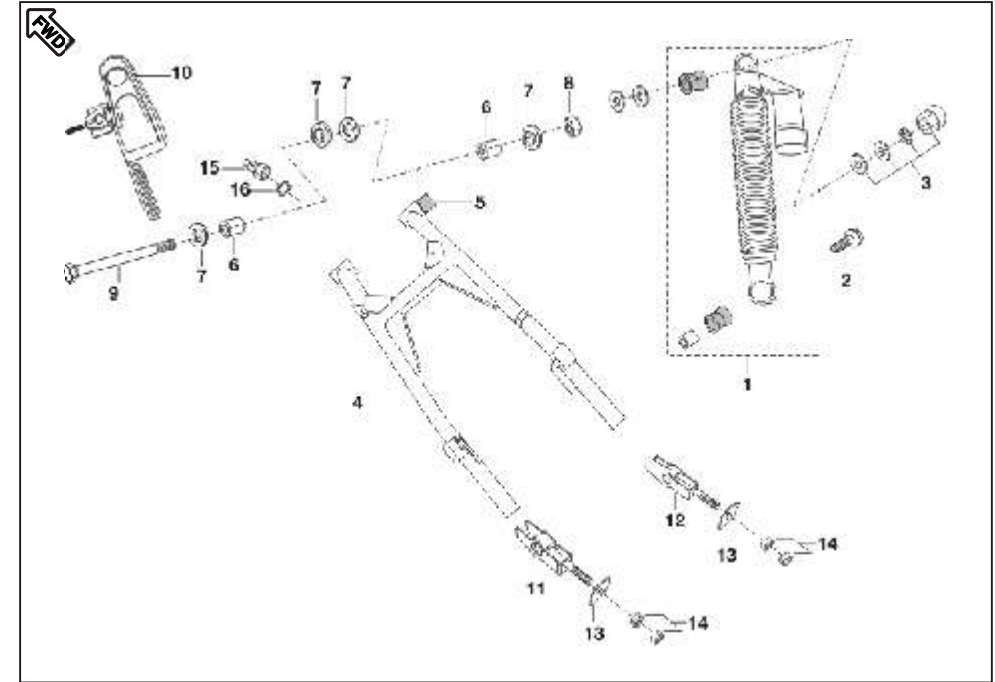
No.	Part No.	Description	Qty/ Veh.	Remarks
1	DH 1017 82	Body comp. starter clutch	1	
2	DH 1017 81	Plate roller clutch	1	
3	DH 1016 58	Gear starter clutch	1	
4	DH 1015 81	Plate starter clutch gear return	1	
5	DH 1013 85	Bolt	1	For stopper plate
6	DK 1011 76	Shaft starter counter	1	
7	DH 1011 72	Collar starter counter	1	
8	DH 1011 88	Gear comp. starter counter assly.	1	
9	59 2000 07	Needle roller bearing	1	
10	DH 1013 82	Bolt socket	3	
11	DK 1110 09	Motor assly. starter	1	
12	DS 1013 53	Bolt	2	
13	DH 1013 72	Cover starter motor	1	
14	DH 1013 89	Slotted c'sunk screw	1	
15	DH 1011 64	Spring	5	
16	DJ 1011 09	Bush For Spring Starter	5	
17	DH 1011 63	Roller	5	
18	DH 1015 33	Bush Spring Starter Clutch	5	



No.	Part No.	Description	Qty/ Veh.	Remarks
1	DK 1610 96	Bkt. Assly. eng. mtg. front	1	
2	DH 1611 89	Bkt. comp. LH eng. mtg. Front	1	
3	DH 1611 90	Bkt. comp. RH eng. mtg. Front	1	
4	36 DK00 11	Kit hardware eng. mtg.	1	Ref. page no. 65
5	DK 1611 59	Bkt. comp. LH eng. mtg. lower	1	
6	DK 1611 60	Bkt. comp. RH eng. mtg. lower	1	
7	39 2157 04	Bolt Flanged	3	
8	39 2412 04	Bolt Flanged	1	Alt. 39 2311 04
9	DH 1612 73	Bush in frame	1	
10	39 1967 04	Bolt	1	
11	39 2414 04	Hex. soc. hd. cap bolt	1	
12	DK 1611 61	Bkt. comp. RH eng. rear	1	
13	39 2310 04	Flanged bolt	2	
14	39 2311 04	Bolt	1	
15	39 2457 11	Washer	1	
16	DK 1611 27	Bkt. eng. hanger LH	1	
17	DK 1611 28	Bkt. eng. hanger RH	1	

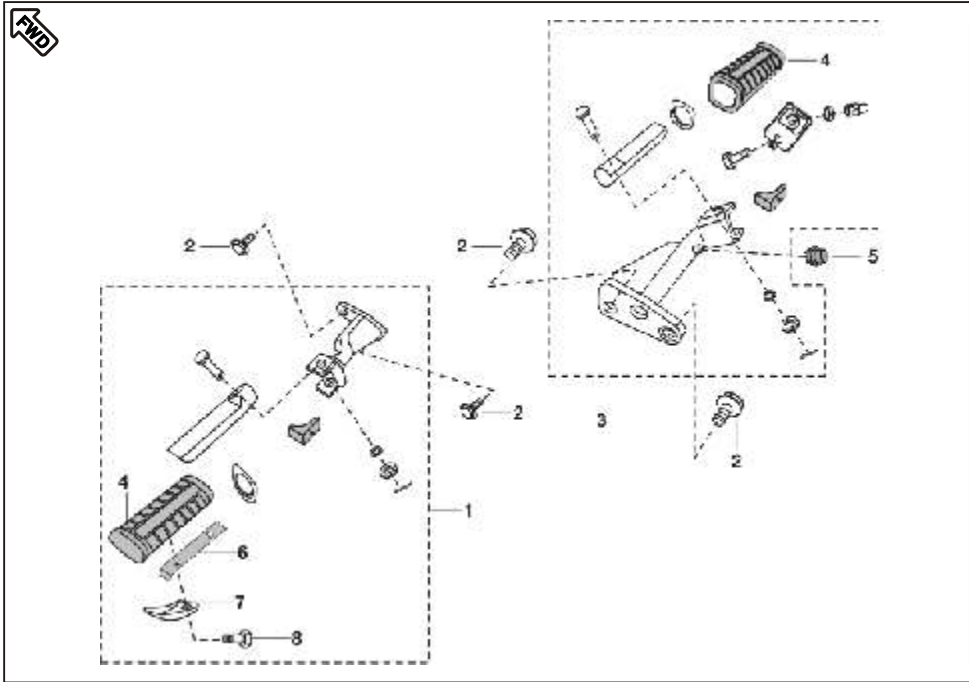


No.	Part No.	Description	Qty/ Veh.	Remarks
1	DK 1611 84	Frame Assly. comp.	1	Incl. Bush, Races & Cup rear
2	DH 1611 12	Cup rear	2	
3	DG 1810 48	Nut	1	
4	DG 1810 42	Cup - Steering	1	
5	36 DV00 03	Bearing Cone Kit	1	Ref. page no. 65
6	30 1012 36	Ball steel	46	
7	39 1680 04	Flanged bolt	2	
8	DJ 1611 32	Cable Hook LH	1	
9	DJ 1611 33	Cable Hook RH	1	

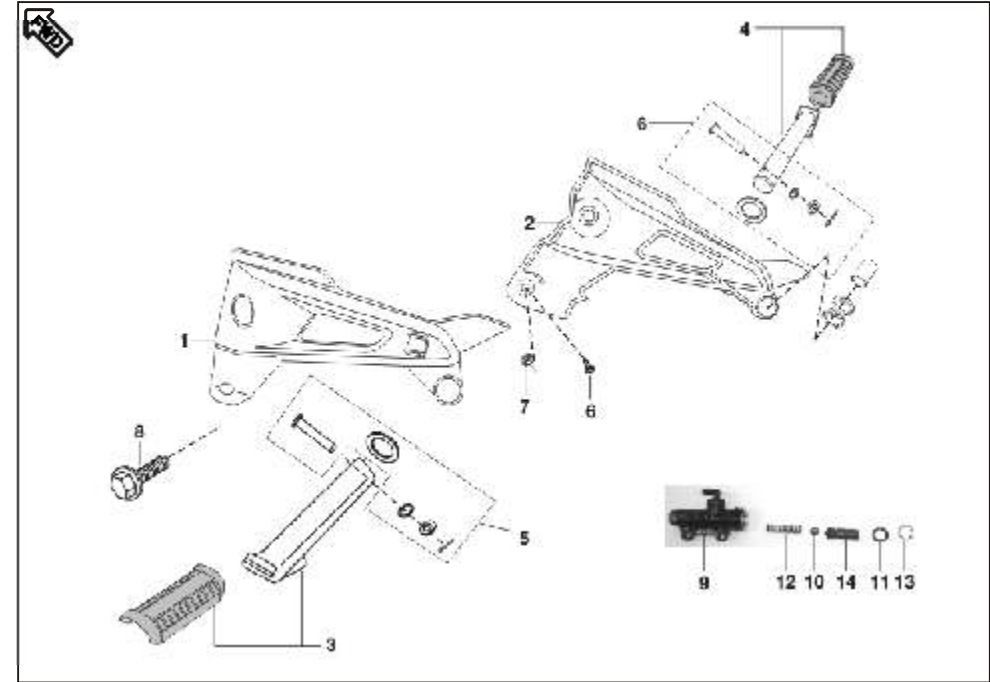


No.	Part No.	Description	Qty/ Veh.	Remarks
1	DK 1710 01	Rear Shock Absorber	2	
2	DG 1710 38	Bolt Pre-coated	2	
3	36 DK00 12	Kit bush rear shock	1	Ref. page no. 65
4	DK 1710 02	Swing arm assly.	1	
5	DG 1710 18	Needle bearing	2	
6	DK 1710 06	Collar swing arm	2	
7	DG 1710 19	Dust seal swing arm	4	
8	DH 1710 19	'U' nut swing arm	1	
9	DK 1710 03	Shaft swing arm	1	
10	DG 1710 34	Chain slider guard	1	
11	DG 1710 21	Adjuster chain LH	1	
12	DG 1710 20	Adjuster chain RH	1	
13	DJ 1510 47	Plate Chain Adjuster	2	
14	39 0292 15	Hexagon nut	4	
15	35 1710 33	Grease nipple	2	
16	39 0740 11	Plain washer(Nylon)	2	

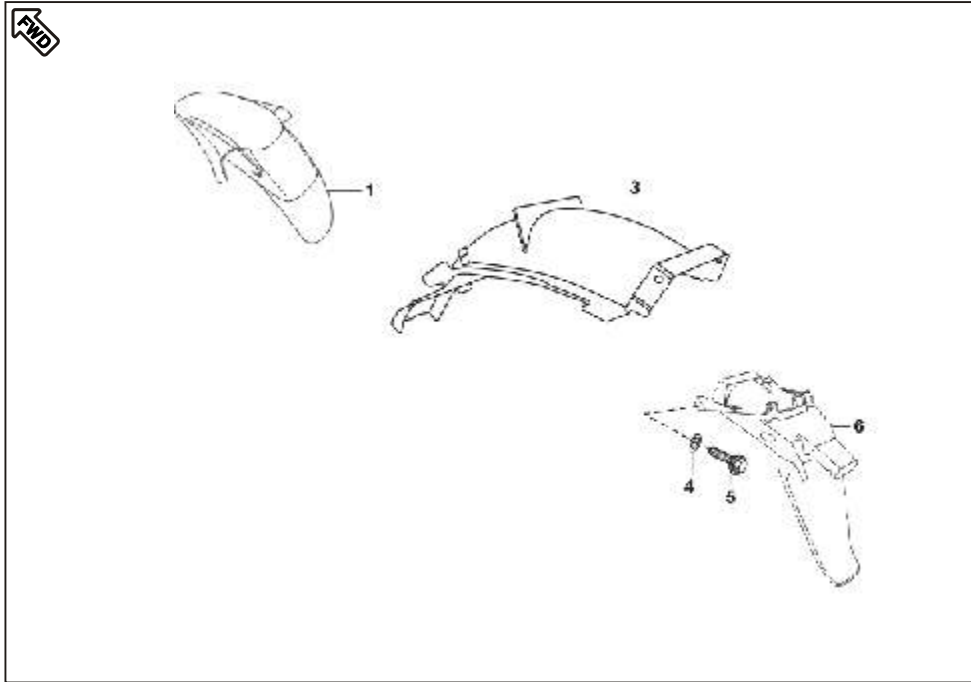




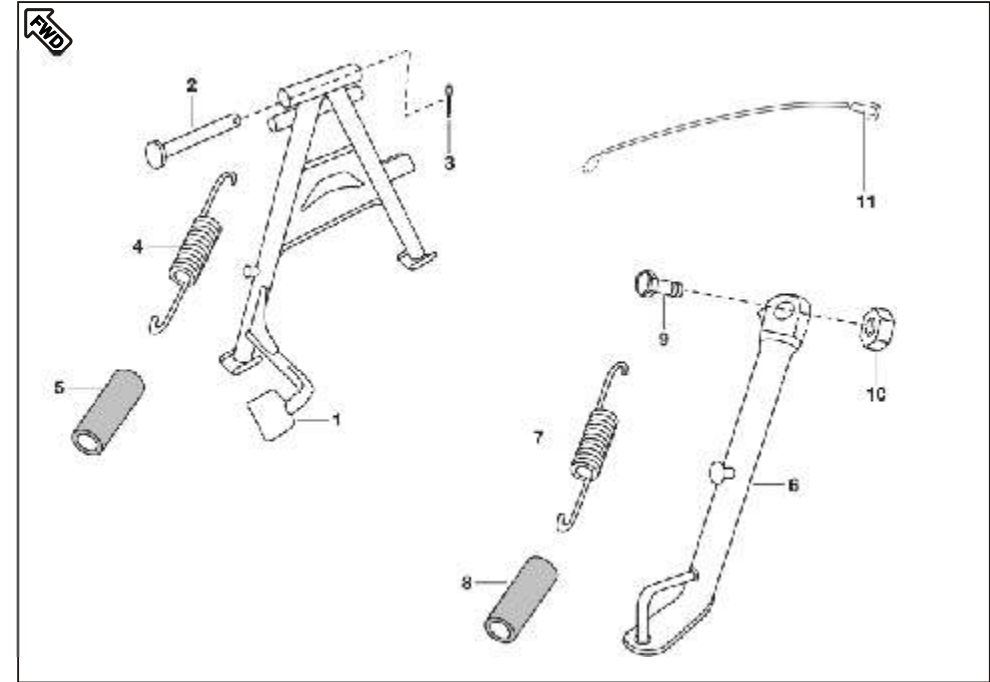
No.	Part No.	Description	Qty/ Veh.	Remarks
1	DJ 1611 26	Main step LH assly. comp.	1	
2	22 1504 51	Flange bolt	4	
3	DJ 1611 27	Main step RH assly. comp.	1	
4	DH 1610 53	Rubber main step	2	
5	DH 1611 94	Kick stopper	1	
6	DX 1610 67	Plate lock pillion step	2	
7	DH 1611 00	Spacer main step	2	
8	22 1504 51	Bolt	2	



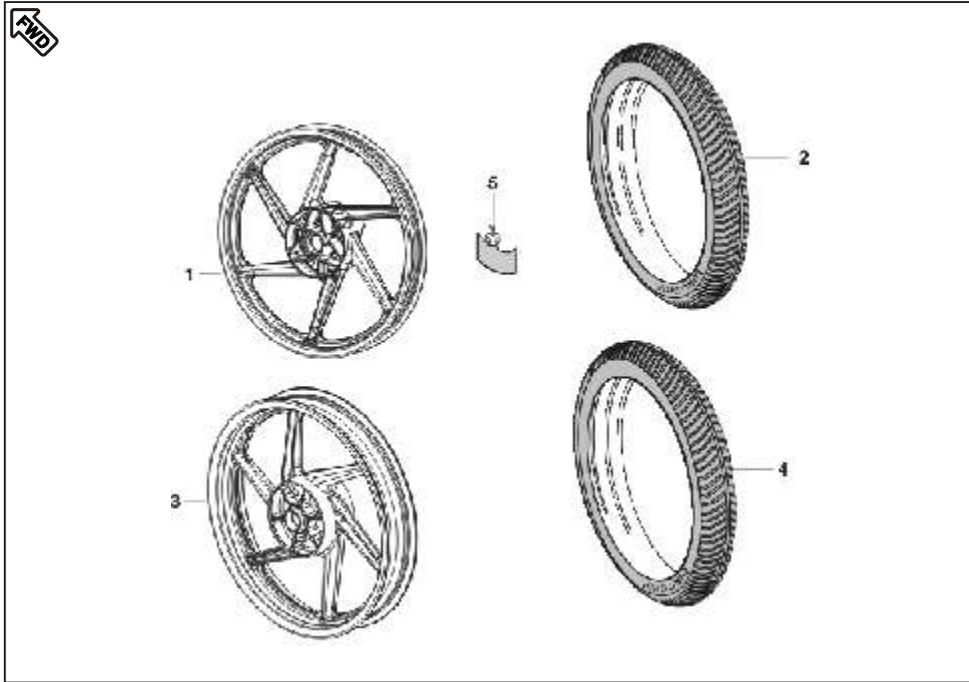
No.	Part No.	Description	Qty/ Veh.	Remarks
1	DK 1611 37	Holder LH step	1	
2	DK 1611 38	Holder RH step	1	
3	DH 1613 13	Pillion step assly. comp. LH	1	
4	DH 1613 15	Pillion step assly. comp. RH	1	
5	36 DK00 13	Kit hardware pillion	2	Ref. page no. 65
6	39 1069 01	Hexagonal head screw	2	
7	39 0292 15	Nut	1	
8	39 1741 04	Flanged Bolt	2	Bott. Mtg. LH & RH Holder Step
9	DE 1910 15	Master cylinder body	1	
10	DE 1910 20	Seal primary	1	
11	DE 1910 21	Seal secondary	1	
12	DE 1910 23	Spring	1	
13	DE 1910 24	Circlip	1	
14	DE 1910 25	Rod	1	
15	DE 1910 26	Spring conical	1	N.I.



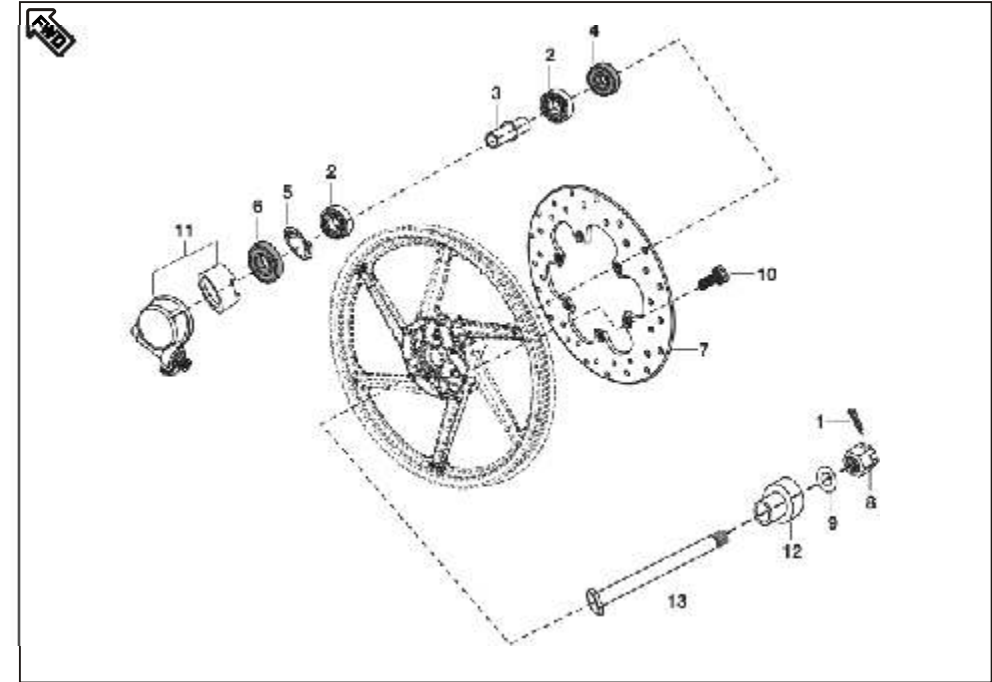
No.	Part No.	Description	Qty/ Veh.	Remarks
1	DK 1610 98	Brace fender	1	
2	59 0400 40	Step bolt	4	
3	DK 1610 86	Fender rear front	1	
4	39 0711 11	Plain washer	4	
5	39 1680 04	Flange bolt	2	
6	DK 1610 85	Fender rear	1	



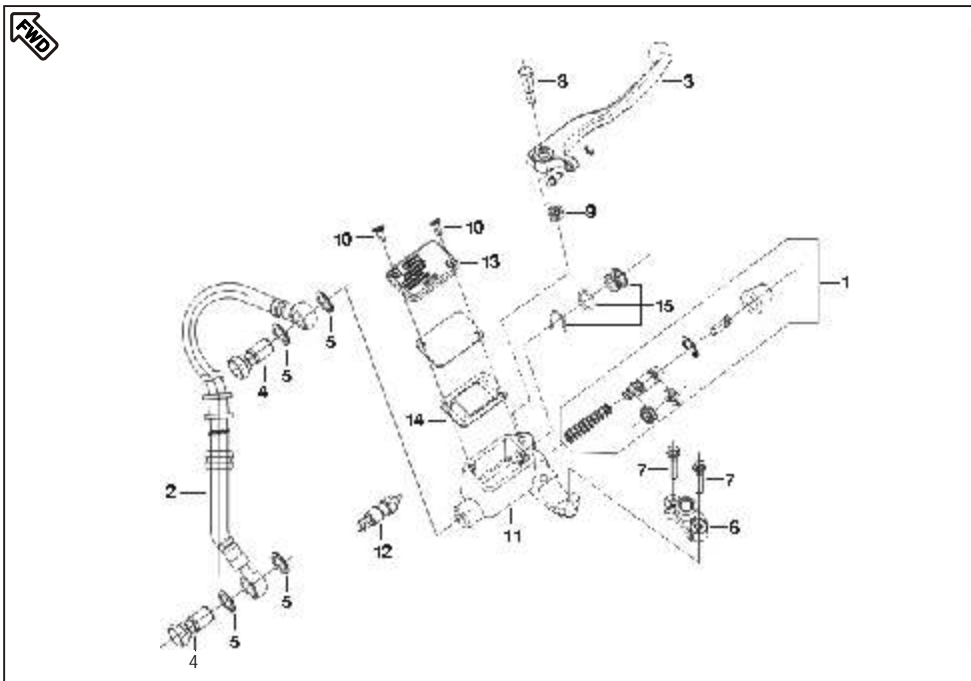
No.	Part No.	Description	Qty/ Veh.	Remarks
1	DK 1611 22	Stand main	1	
2	30 1611 57	Shaft stand	1	
3	39 0787 08	Pin cotter	1	
4	DH 1611 21	Spring main stand	1	
5	DH 1611 45	Cover spring main stand	1	
6	DK 1611 36	Stand side	1	
7	DH 1610 66	Spring side stand	1	
8	DH 1611 46	Cover spring side stand	1	
9	DF 1611 02	Bolt	1	
10	39 0422 15	Nut	1	
11	DH 2010 64	Side stand switch	1	



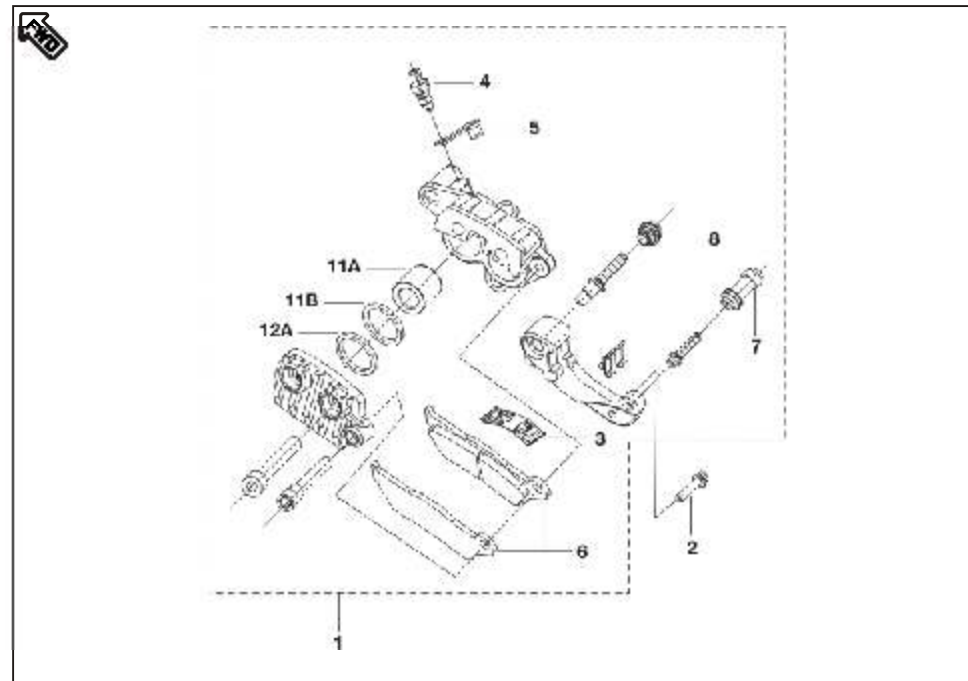
No.	Part No.	Description	Qty/ Veh.	Remarks
1	DK 1510 01	Wheel rim front	1	
2	DK 1510 06	Tubeless tyre front	1	Not serviceable
3	DK 1510 03	Wheel rim rear	1	
4	DK 1510 07	Tubeless tyre rear	1	Not serviceable
5	DK 1510 26	Valve for tubeless tyre	1	



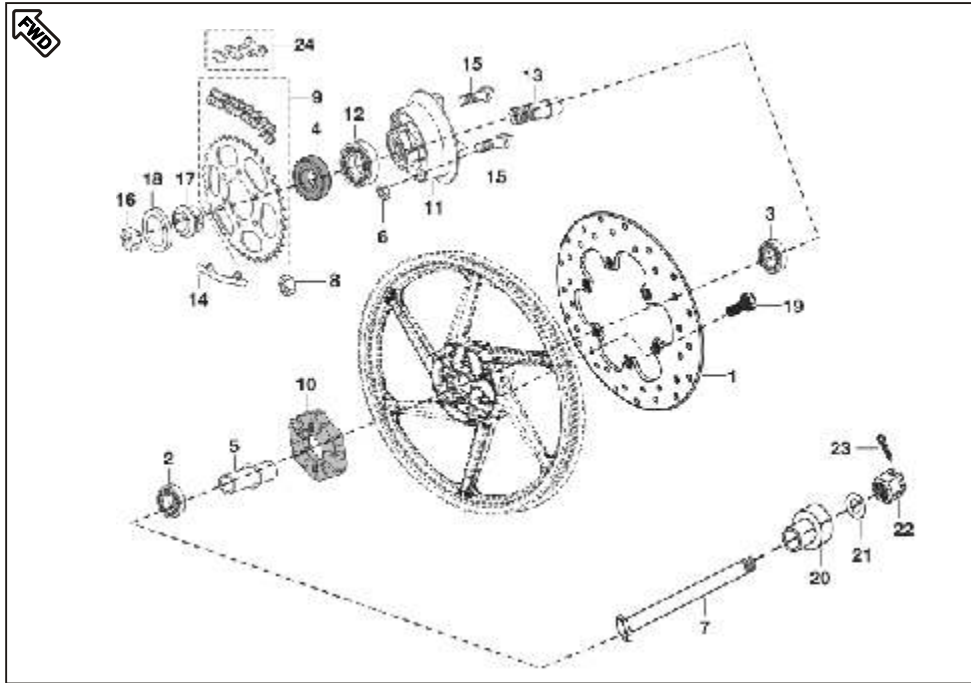
No.	Part No.	Description	Qty/ Veh.	Remarks
1	39 0787 08	Pin cotter	1	
2	39 2241 20	Bearing ball	2	
3	DK 1510 28	Spacer assly.	1	
4	DG 1510 05	Seal oil	1	
5	DE 1510 12	Plate drive	1	
6	DE 1510 08	Seal oil	1	
7	DK 1510 27	Disc	1	
8	39 0786 15	Hex. slotted nut	1	
9	39 0781 11	Plain washer	1	
10	DG 1510 49	Hex. soc. hd. bolt	6	
11	DK 2010 31	Case meter Assly.	1	
12	DG 1510 07	Collar	1	
13	DK 1510 08	Axle	1	



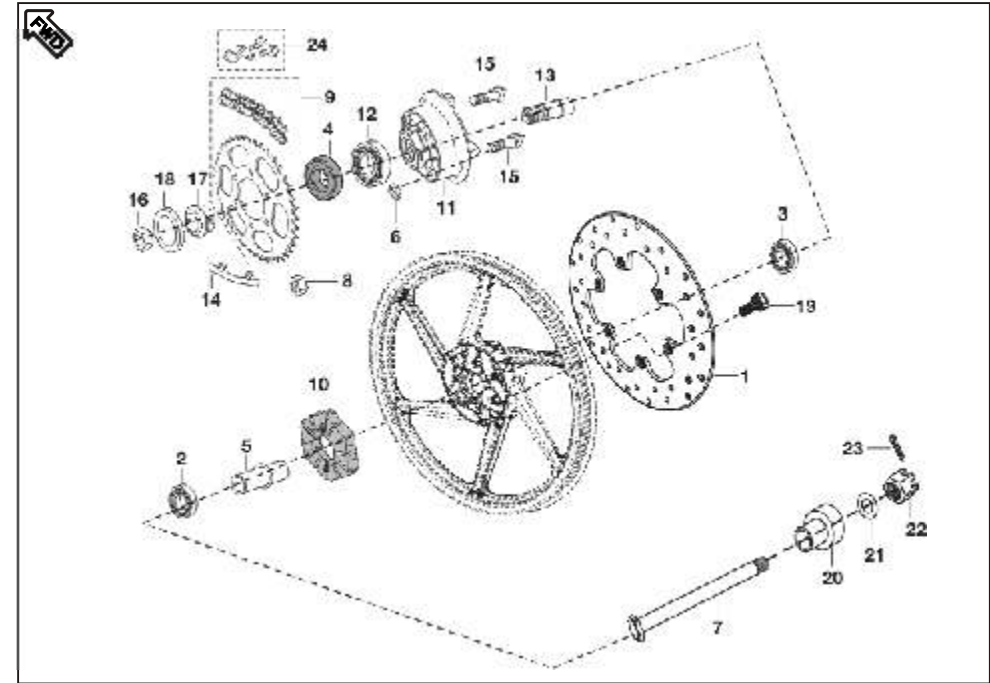
No.	Part No.	Description	Qty/ Veh.	Remarks
1	DE 1510 15	Major Kit - Master Cylinder	1	
2	DJ 1510 76	Hose Brake Front	1	
3	DJ 1910 06	Lever Grip RH	1	
4	DE 1910 11	Banjo Bolt	2	
5	DE 1910 10	Washer Copper	4	
6	DE 1910 33	Clamp Holder RH	1	
7	DJ 1910 28	Bolt	2	
8	DJ 1910 29	Bolt Front Brake Lever	1	
9	DJ 1910 30	Nut Flanged	1	
10	DE 1910 30	Screw	2	
11	DJ 1910 32	Cylinder Master	1	
12	DE 2010 16	Front brake switch	1	
13	DE 1910 29	Reservoir Cover	1	
14	DE 1910 28	Diaphragm	1	
15	DE 1910 35	Oil Window Kit	1	
16	DK 0100 03	Disc brake kit - KBX	1	N.I.



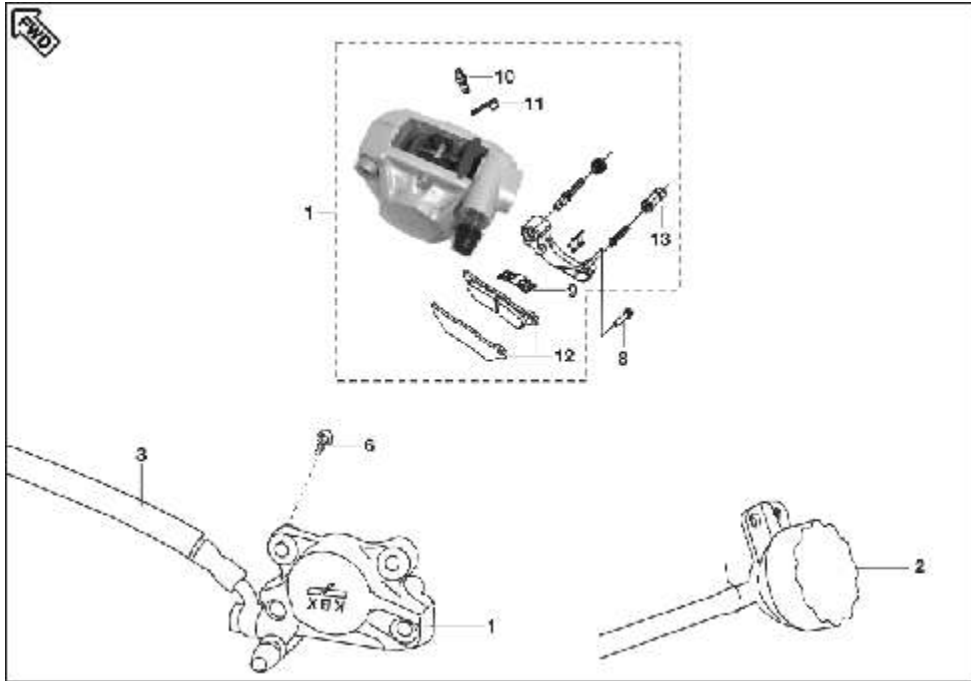
No.	Part No.	Description	Qty/ Veh.	Remarks
1	DG 1510 89	Caliper Assly. Front	1	
2	39 1769 04	Bolt Flanged	2	
3	DE 1510 48	Spring Pad	1	
4	DE 1510 46	Bleeder Screw	1	
5	DE 1510 47	Bleeder Cap	1	
6	DE 1510 37	Disc Pad Set	1	
7	DE 1510 43	Insulator	1	
8	DJ 1510 73	Protection Boot	1	



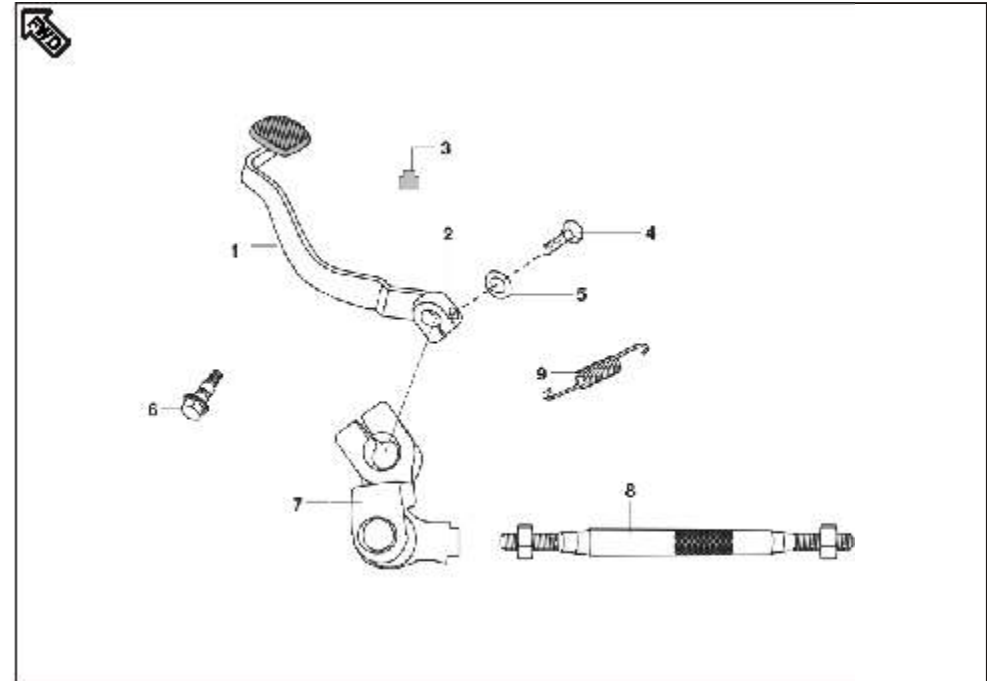
No.	Part No.	Description	Qty/ Veh.	Remarks
1	DK 1510 24	Rear disc	1	
2	39 2241 20	Ball bearing	1	
3	39 2242 20	Ball bearing	1	
4	30 1510 82	Seal oil	1	
5	DK 1510 22	Coller bearing assly.	1	
6	39 1997 15	Nut hex small	1	
7	DK 1510 09	Axel rear	1	
8	DH 1710 19	"U" nut	1	
9	36 DK00 24	Chain sprocket kit	1	Ref. page no. 66
10	DJ 1510 88	Coupling rubber	1	
11	DK 1510 05	Coupling	1	
12	DK 1510 13	Ball Bearing	1	
13	DK 1510 15	Sleeve	1	
14	DS 1510 74	Washer lock	1	
15	DS 1510 73	Stud	1	



No.	Part No.	Description	Qty/ Veh.	Remarks
16	39 0794 15	Hex lock nut	1	
17	DK 1510 17	Spacer	1	
18	DG 1510 08	Washer	1	
19	DG 1510 49	Hex soc. HD bolt	6	
20	DG 1510 07	Coller	1	
21	39 0781 11	Plain washer	1	
22	39 0786 15	Hex slotted nut	1	
23	39 0787 08	Pin cotter	1	
24	DK 1510 36	Drive chain lock	1	

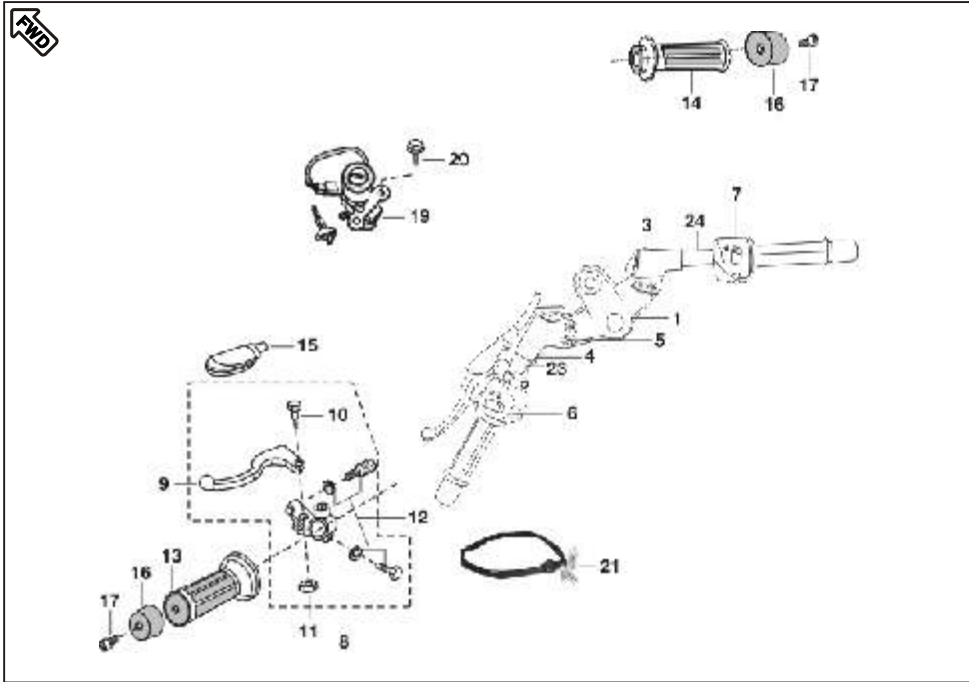


No.	Part No.	Description	Qty/ Veh.	Remarks
1	DK 1510 30	Caliper assembly rear	1	
2	DK 1510 31	Master assembly	1	
3	DK 1510 32	Hose disc brake	1	
4	DK 1510 33	Reservoir rear disc brake	1	N.I.
5	DK 1510 34	Reservoir tube	1	N.I.
6	39 2310 04	Flange bolt	4	
7	DK 0100 04	Disc brake kit rear	1	N.I.
8	39 1769 04	Bolt Flanged	2	
9	DE 1510 48	Spring Pad	1	
10	DE 1510 46	Bleeder Screw	1	
11	DE 1510 47	Bleeder Cap	1	
12	DK 1510 38	Rear Caliper Pad with Shims	1	
13	DE 1510 43	Insulator	1	

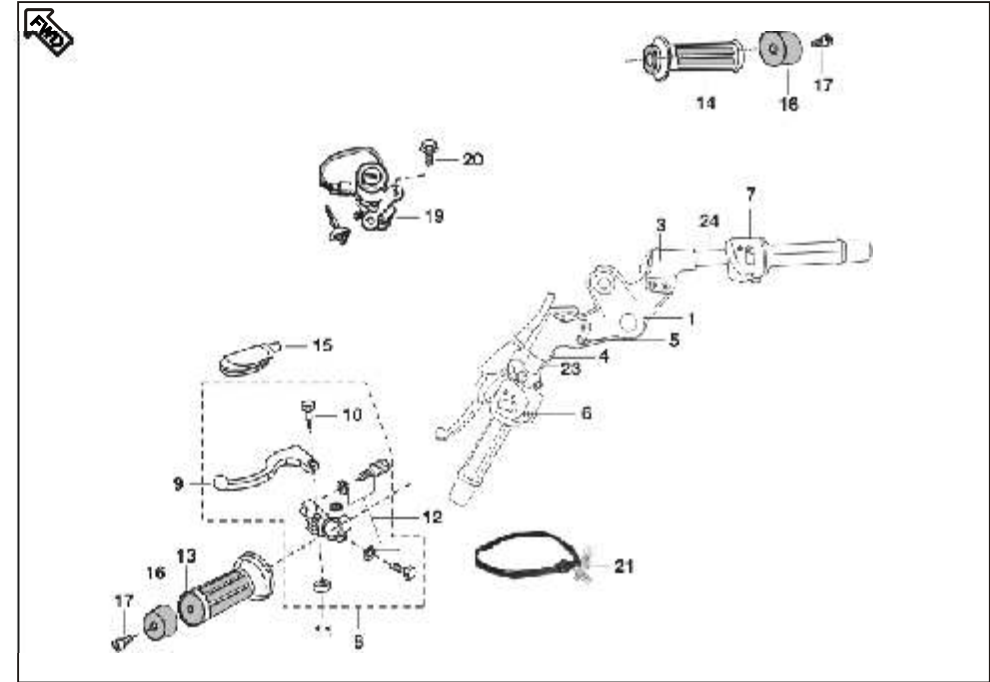


No.	Part No.	Description	Qty/ Veh.	Remarks
1	DK 1910 12	Lever Brake Pedal	1	
2	DK 1011 84	Boss lever change	1	
3	DG 1013 39	Damper	1	
4	DK 1011 86	Bolt pivot lever change	1	
5	DK 1011 85	Washer pivot bolt	1	
6	DK 1011 87	Collar pivot bolt	1	
7	DK 1011 77	Lever change arm	1	
8	DK 1011 80	Tie rod	1	
9	Dk 1910 13	Spring brake pedal	1	

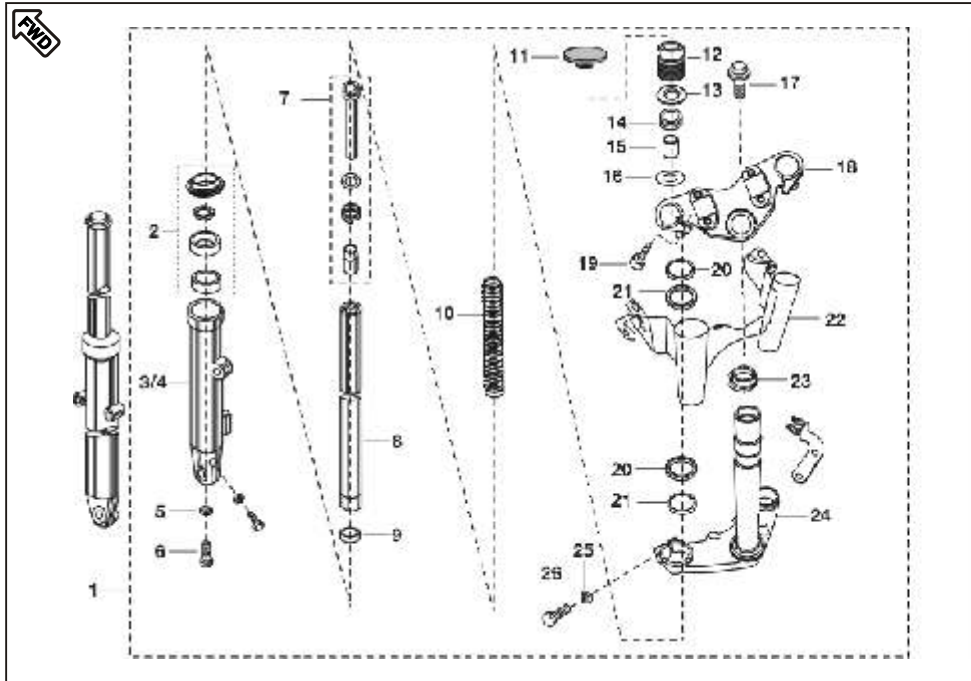




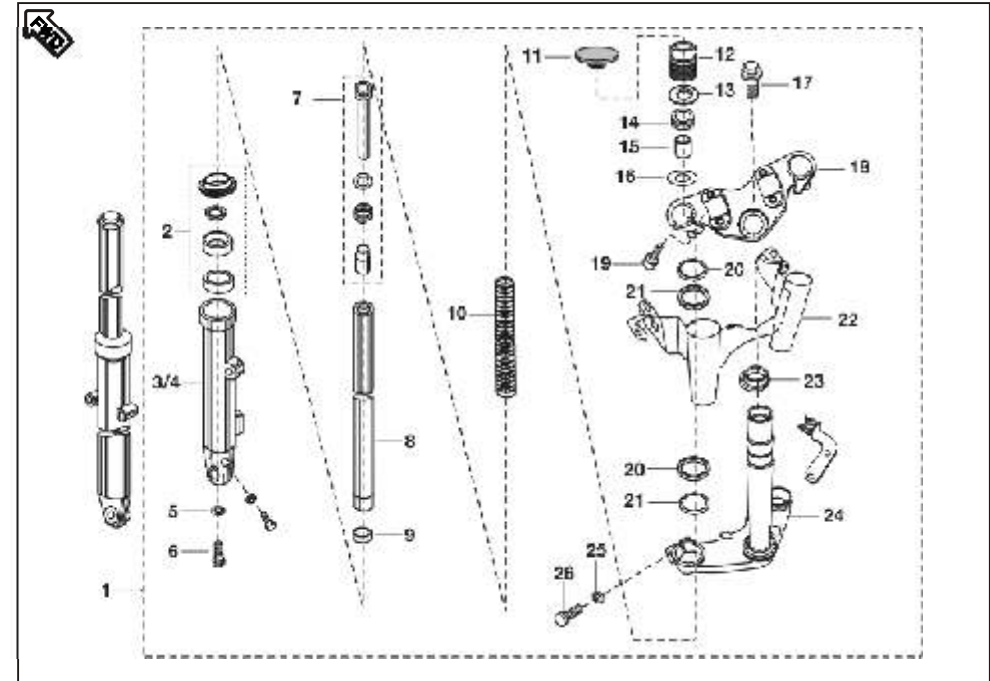
No.	Part No.	Description	Qty/ Veh.	Remarks
1	DK 1810 30	Holder handle	1	
2	DJ 2011 43	Hall sensor assly.	1	N.I.
3	DK 1810 32	Holder handle RH	1	
4	DK 1910 16	Holder handle LH	1	
5	DG 1810 08	Allen bolt	4	
6	DK 2010 33	Control switch LH	1	
7	DK 2010 34	Control switch RH	1	
8	DJ 1910 09	Lever assly. grip LH	1	
9	DJ 1910 55	Lever LH	1	
10	DL 1910 14	Stud lever handle	1	
11	39 1184 15	Self locking nut	1	
12	36 DK00 19	Kit hardware holder LH	1	Ref. page no. 66
13	DH 1910 07	Grip LH	1	
14	DH 1910 08	Grip RH	1	
15	DH 1910 19	Boot for lever	1	



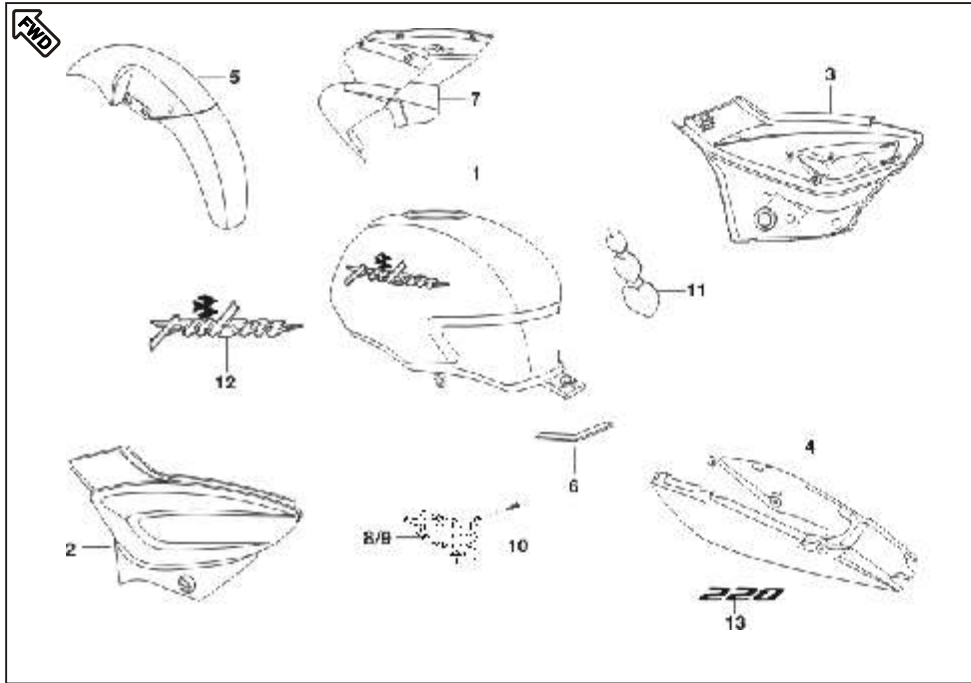
No.	Part No.	Description	Qty/ Veh.	Remarks
16	DJ 1810 11	Handle bar weight	2	
17	DH 1810 40	Hex. soc. hd. cap screw	2	Alt. 39 2427 04
18	DJ 1810 39	Pad Holder Handle	1	N.I.
19	DK 2010 15	Switch assly. ignition	1	
20	39 1943 04	Flange bolt	2	
21	DJ 2010 35	Clutch Switch	1	
22	DK 1810 36	Handle bar plug	1	N.I.
23	DK 1810 46	Handle bar tube assly. LH	1	
24	DK 1810 47	Handle bar tube assly. RH	1	
25	DH 1910 17	Pipe throttle	1	N.I.



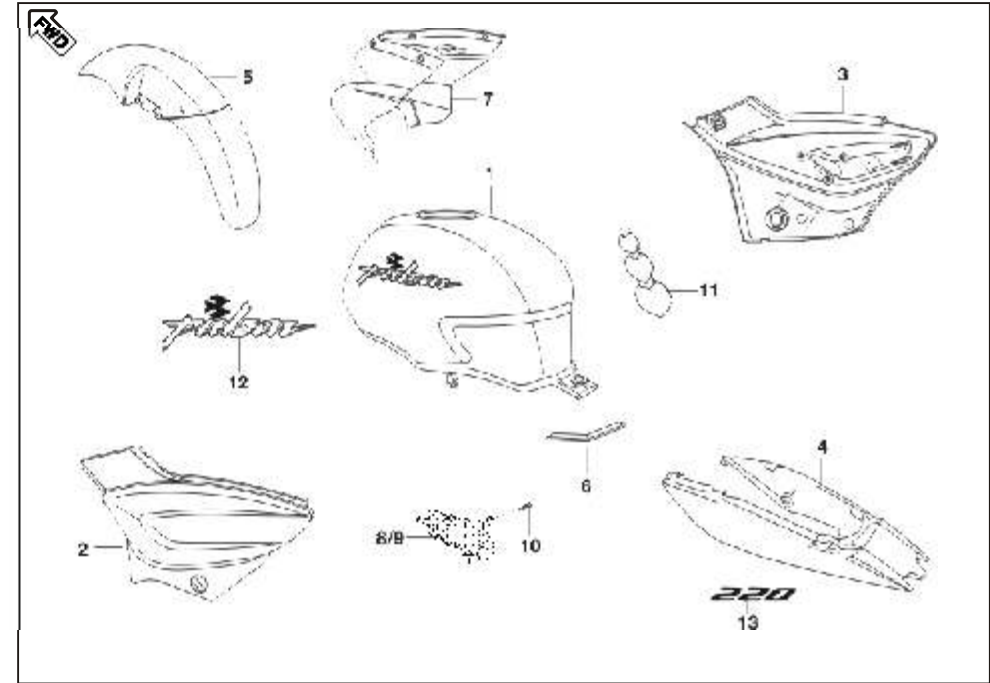
No.	Part No.	Description	Qty/ Veh.	Remarks
1	DK 1810 01	Fork front	1	
2	36 DK00 25	Oil seal kit	1	Ref. page no. 66
3	DK 1810 04	Outer Tube LH	1	
4	DK 1810 05	Outer Tube RH	1	
5	30 1810 26	Gasket	2	
6	30 1810 25	Bolt	2	
7	DS 1810 77	Cylinder comp. fork	2	
8	DK 1810 45	Pipe comp. suspension inner	2	
9	DK 1810 11	Slide Bush	2	
10	DK 1810 13	Spring front fork	2	
11	DH 1810 09	Grommet Top	2	
12	DK 1810 22	Bolt fork	2	
13	DK 1810 23	'O' ring	2	
14	30 1810 28	Seat fork spring	2	
15	DK 1810 16	Spacer Tube	2	



No.	Part No.	Description	Qty/ Veh.	Remarks
16	DK 1810 18	Washer	2	
17	30 1810 44	Bolt	1	
18	DK 1810 27	Holder fork upper	1	
19	DG 1810 08	Socket Bolt	2	
20	DJ 1810 85	Cushion Rubber	2	
21	DJ 1810 52	Cover Trail B	4	
22	DH 1810 48	Lamp Shade asly.	1	
23	DG 1810 45	Bearing cone	1	
24	DK 1810 24	Holder fork under	1	
25	DK 1810 25	Spring washer	2	
26	DK 1810 26	Bolt	2	

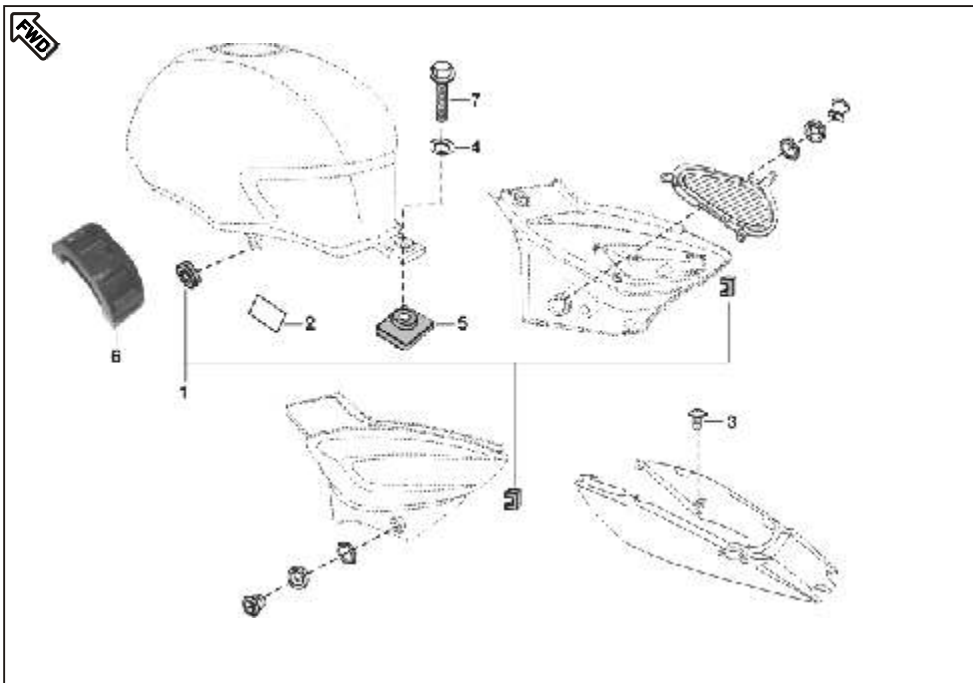


No.	Part No.	Description	Qty/ Veh.	Remarks
1	DK 7101 2T	Fuel Tank	1	FOR TITANIUM SILVER
	DK 7101 2V	Fuel Tank	1	FOR COCKTAIL WINE RED
	DK 7101 3A	Fuel Tank	1	FOR LONG BEACH BLUE
	DK 7101 X3	Fuel Tank	1	FOR EBONY BLACK
2	DK 7301 2T	Side cover LH	1	FOR TITANIUM SILVER
	DK 7301 2V	Side cover LH	1	FOR COCKTAIL WINE RED
	DH 7301 3A	Side cover LH	1	FOR LONG BEACH BLUE
	DH 7301 X3	Side cover LH	1	FOR EBONY BLACK
3	DK 7302 2T	Side cover RH	1	FOR TITANIUM SILVER
	DK 7302 2V	Side cover RH	1	FOR COCKTAIL WINE RED
	DK 7302 3A	Side cover RH	1	FOR LONG BEACH BLUE
	DK 7302 X3	Side cover RH	1	FOR EBONY BLACK
4	DK 7303 2T	Sear Cowl Assly.	1	FOR TITANIUM SILVER
	DK 7303 2V	Sear Cowl Assly.	1	FOR COCKTAIL WINE RED
	DK 7303 3A	Sear Cowl Assly.	1	FOR LONG BEACH BLUE
	DK 7303 X3	Sear Cowl Assly.	1	FOR EBONY BLACK

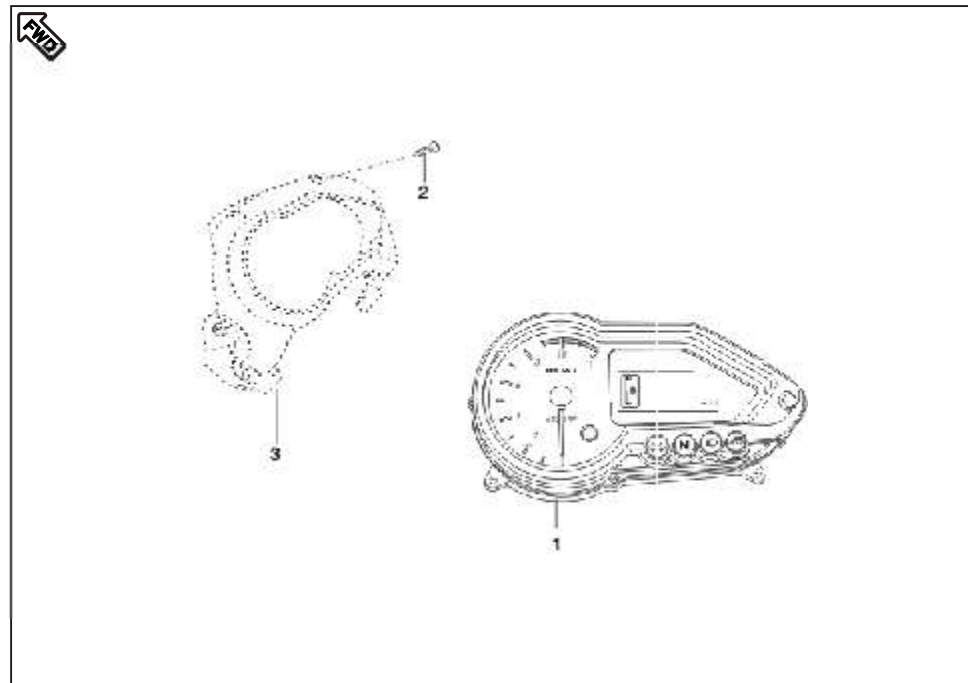


No.	Part No.	Description	Qty/ Veh.	Remarks
5	DK 7402 2T	Front Fender	1	FOR TITANIUM SILVER
	DK 7402 2V	Front Fender	1	FOR COCKTAIL WINE RED
	DK 7402 3A	Front Fender	1	FOR LONG BEACH BLUE
	DK 7402 X3	Front Fender	1	FOR EBONY BLACK
6	DH 1410 20	Seat tape	1	
7	DK 7401 2T	Fairing	1	FOR TITANIUM SILVER
	DK 7401 2V	Fairing	1	FOR COCKTAIL WINE RED
	DK 7401 3A	Fairing	1	FOR LONG BEACH BLUE
	DK 7401 X3	Fairing	1	FOR EBONY BLACK
8	DK 1611 23	Cover Side Mesh LH	1	
9	DK 1611 24	Cover Side Mesh RH	1	
10	59 0200 01	Self tap screw	6	
11	DK 1410 15	Tank Pad	1	
12	36 DK00 26	Tank Decal set	1	Ref. page no. 66
13	DK 1611 90	Seat cowl decal set	2	

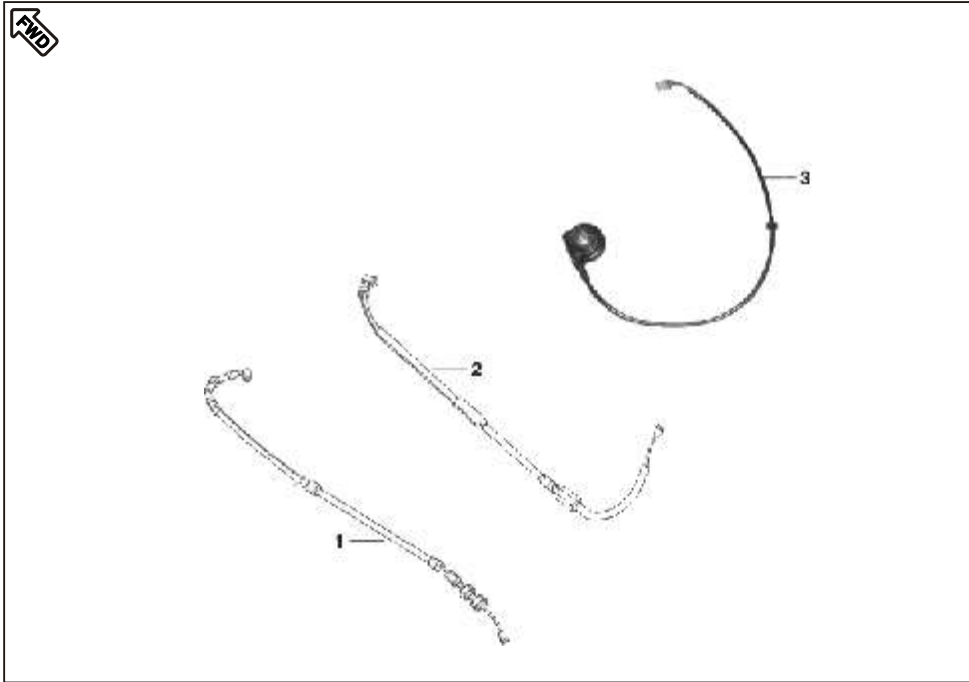




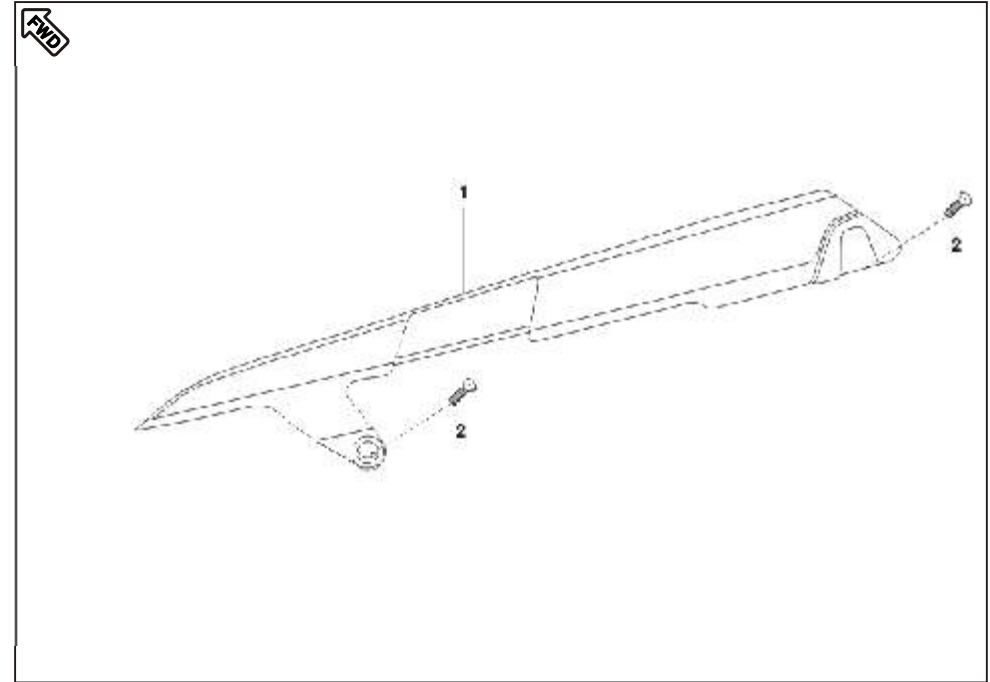
No.	Part No.	Description	Qty/ Veh.	Remarks
1	DK 1611 85	Grommet Kit For side cover	1	Ref. Page No. 66
2	DH 1410 31	Tape tank inner	2	
3	39 1607 01	Screw	2	
4	39 2424 11	Plain Washer	1	
5	DH 1410 23	Damper Rear	1	
6	DJ 1410 08	Damper front	2	
7	39 1556 04	Flanged Bolt	1	



No.	Part No.	Description	Qty/ Veh.	Remarks
1	DK 1910 09	Meter Assly / Instrument Cluster	1	
2	39 1778 02	Self Tapping Screw	4	
3	DJ 1811 19	Cluster cover	1	
4	DJ 2011 59	Speedometer top cover	1	

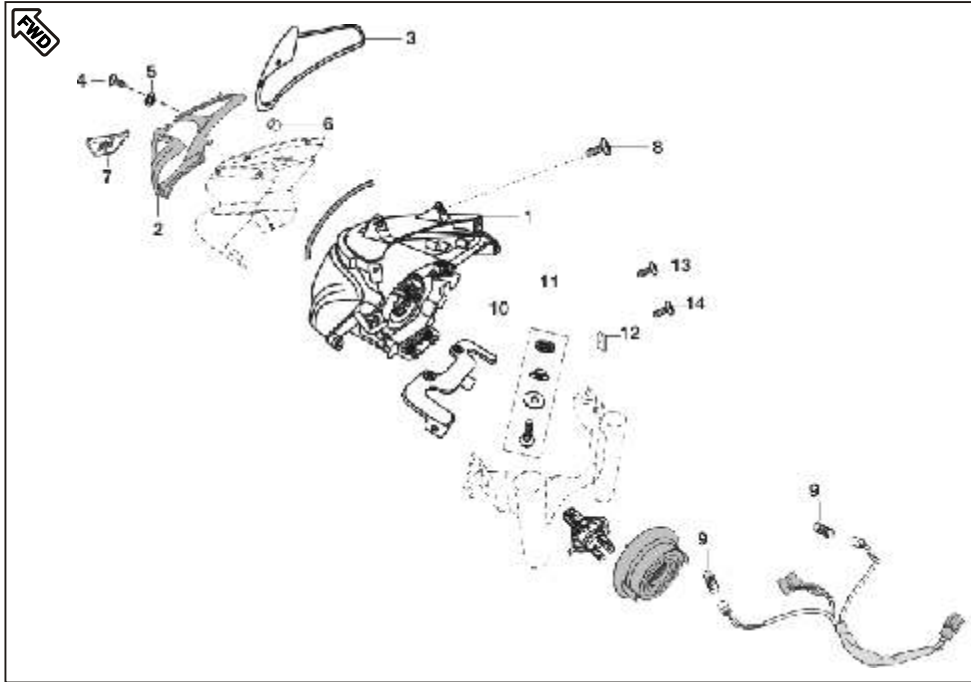


No.	Part No.	Description	Qty/ Veh.	Remarks
1	DJ 1910 61	Assembly Throttle	1	
2	DK 1910 11	Cable Clutch	1	
3	DK 2010 61	Speedo sensor with cable	1	

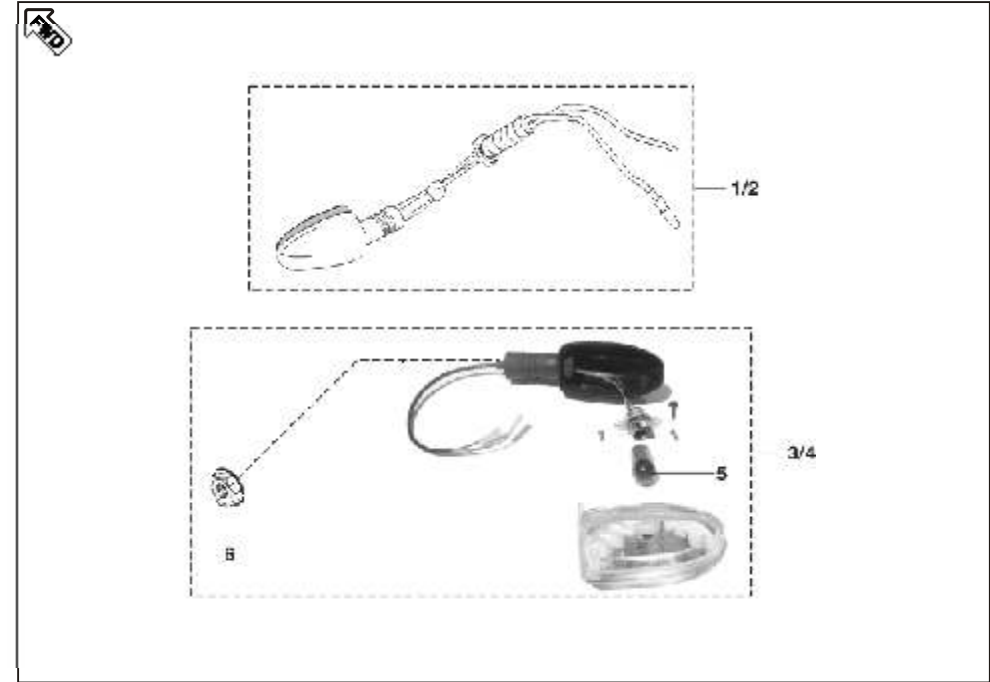


No.	Part No.	Description	Qty/ Veh.	Remarks
1	DK 1611 42	Cover Chain	1	
2	DH 1612 83	Bolt	2	
3	DK 1611 99	Cover chain	1	3 point mtg.

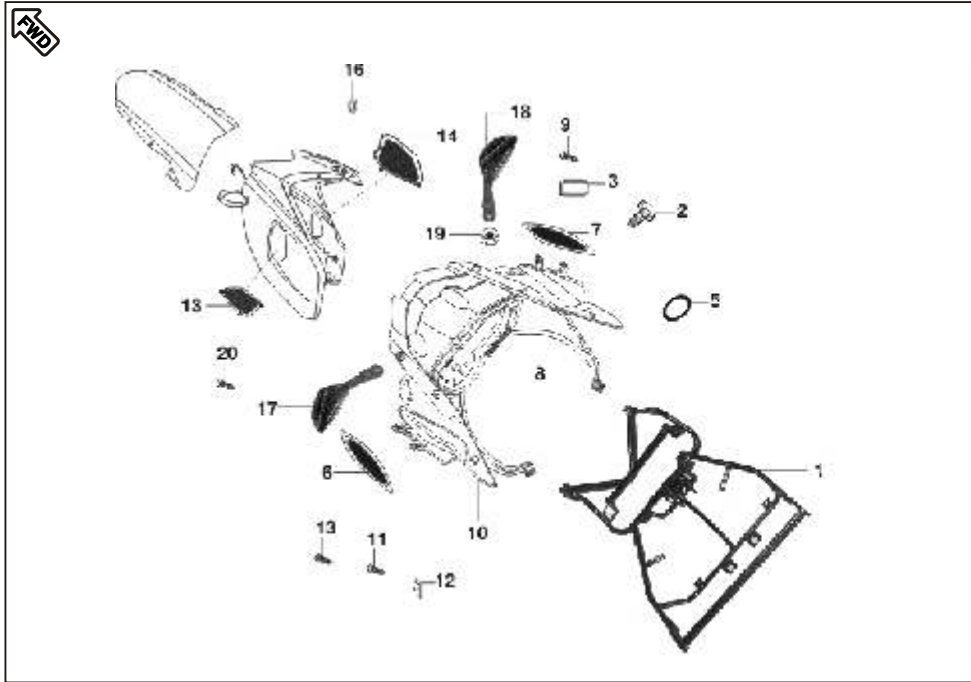




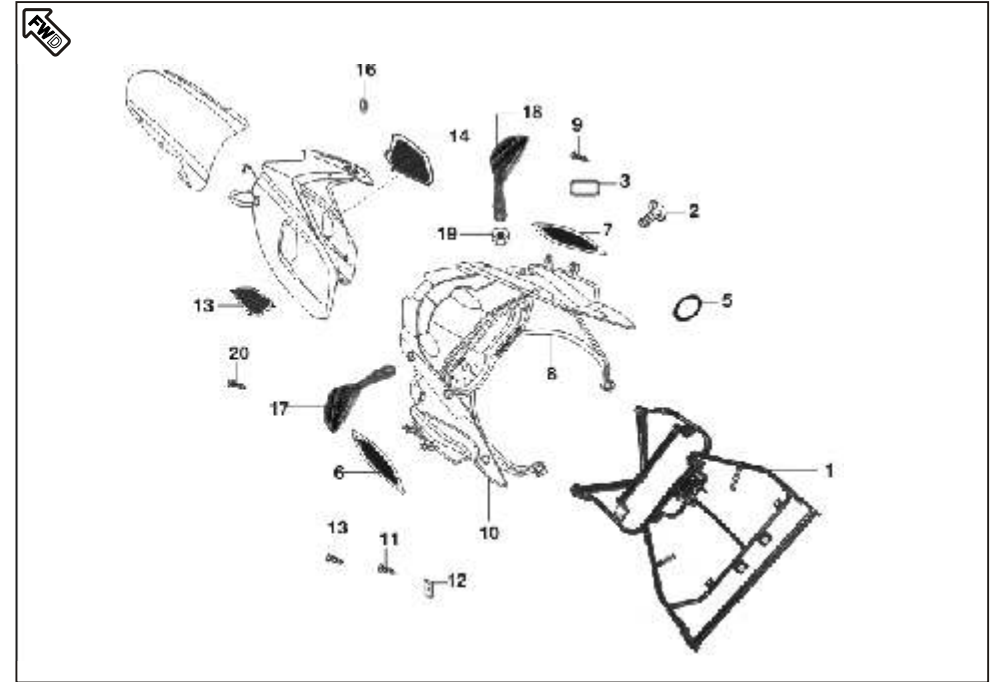
No.	Part No.	Description	Qty/ Veh.	Remarks
1	DK 2010 56	Head Lamp assly. without bulb	1	
2	DJ 1811 20	Back cover	1	
3	DK 1610 69	Wind Shield	1	
4	DF 1810 98	Bolt	4	
5	39 2141 24	Non Metallic Washer	4	
6	DL 1810 10	Well Nut	4	
7	DJ 1810 37	Decal Wind Shield	1	
8	39 1907 01	M5 x 15L mushroom HD	2	
9	DK 2010 43	Bulb	2	
10	DH 1810 52	Fairing mounting upper bracket	1	
11	36 DK00 21	Kit hardware mtg. bracket	1	Ref. page no. 66
12	DJ 1810 65	Clip Nut	4	
13	39 0716 01	Screw pan cross	2	
14	39 1524 01	Screw pan cross	2	



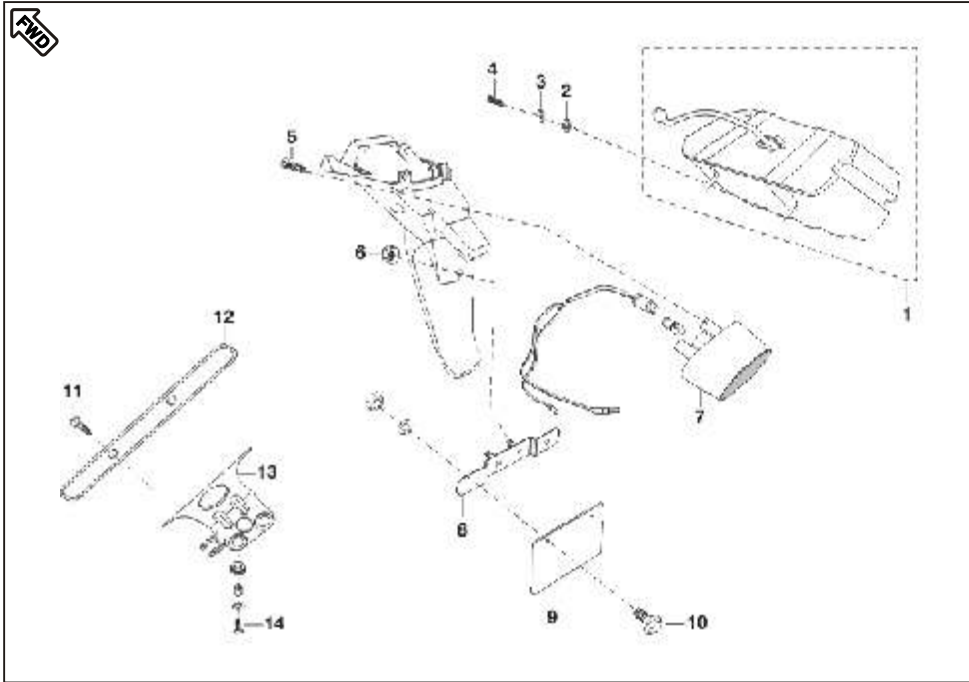
No.	Part No.	Description	Qty/ Veh.	Remarks
1	DK 2010 50	Indicator front LH	1	
2	DK 2010 51	Indicator front RH	1	
3	DJ 2011 46	Indicator rear LH	1	
4	DJ 2011 47	Indicator rear RH	1	
5	GH 2010 12	Lamp	1	
6	39 1970 15	Hex Nut Flange	4	
7	DK 2010 39	Magnet assly blinker self cancellation	1	N.I.



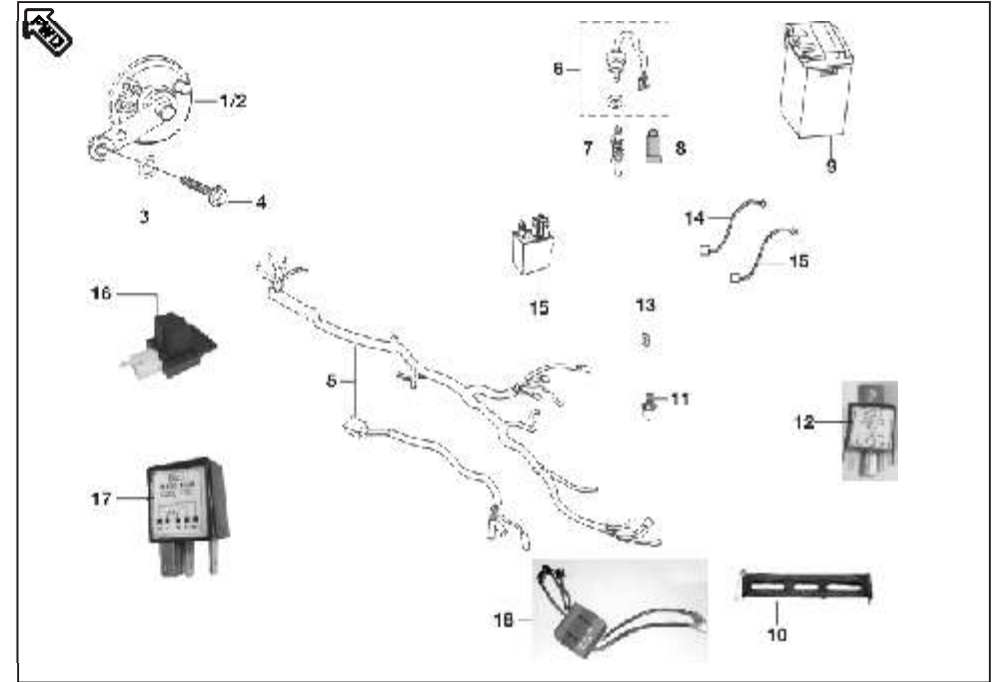
No.	Part No.	Description	Qty/ Veh.	Remarks
1	DK 1610 78	Fearing mtg. structure	1	N.I.
2	39 1957 04	Flange bolt	2	
3	DK 1610 81	Rubber grommet fearing mtg.	4	
4	DK 1610 82	Sleeve fearing	1	
5	DK 1611 26	Damper for fearing	4	
6	DK 1610 70	Fearing air intake LH	1	
7	Dk 1610 71	Fearing air intake RH	1	
8	DK 1610 72	Fearing under cover	1	
9	59 0200 01	Self tapping screw	4	
10	DK 1610 73	Fearing back cover assly.	1	
11	39 1778 02	Self tapping screw for speedo	1	
12	DJ 1612 29	Clip nut	1	
13	39 1907 01	Screw	1	
14	DK 1611 76	Fearing mesh LH	1	
15	DK 1610 77	Fearing mesh RH	1	



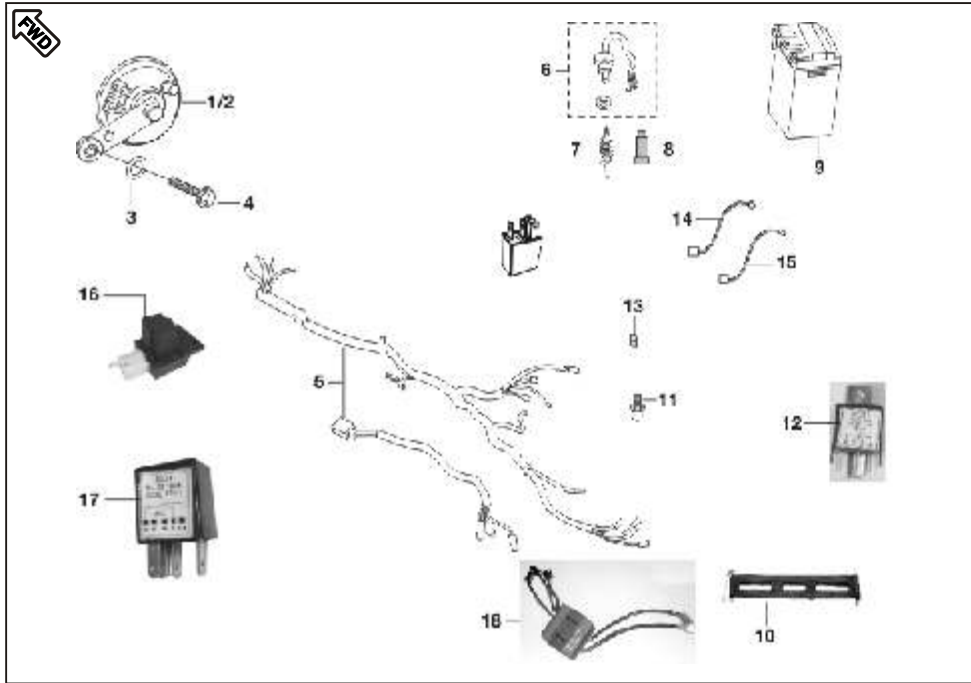
No.	Part No.	Description	Qty/ Veh.	Remarks
16	39 1918 24	Washer	6	
17	DK 2210 02	Mirror assly. LH	1	
18	DK 2210 03	Mirror assly. RH	1	
19	DK 2210 01	Nut for mirror	1	
20	59 0200 01	Screw (self tapping)	6	
21	DK 1611 67	Fairing LH	1	For Ebony Black
22	DK 1611 68	Fairing RH	1	-----"-----"



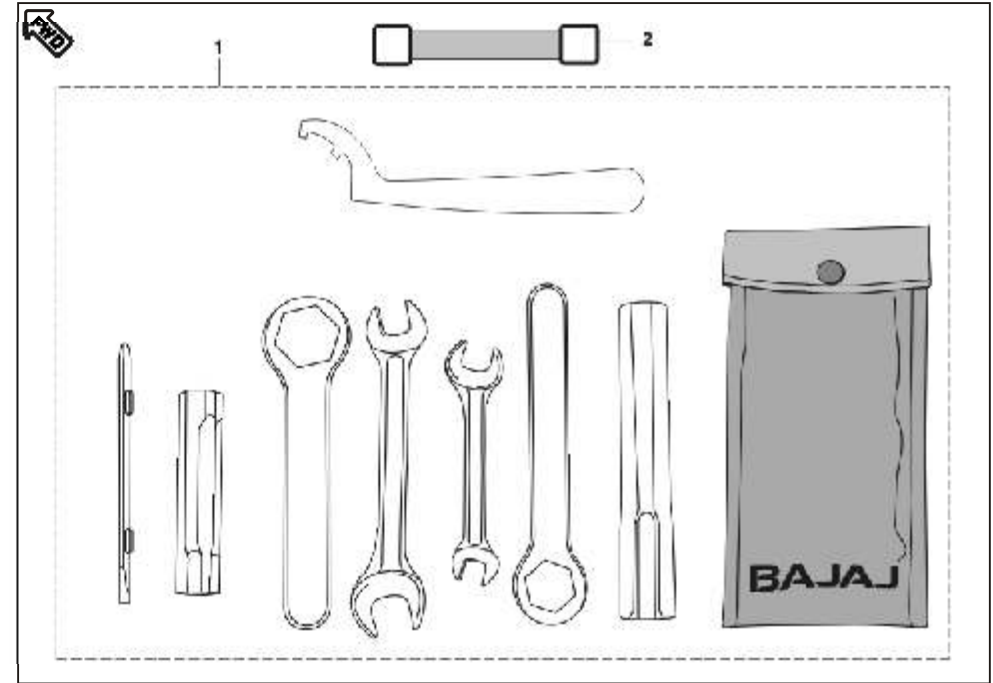
No.	Part No.	Description	Qty/ Veh.	Remarks
1	DK 2010 03	Tail light with Lamp	1	
2	DH 1612 93	Damper	2	
3	DK 1611 53	Clip Nut	4	
4	59 0100 13	Screw pan cross	4	
5	39 0705 01	Truss Screw	2	
6	39 1972 15	Bolt flange	2	
7	DK 2010 24	No. Plate illumination	1	
8	DJ 1610 72	Rear No. plate bkt.	1	
9	DP 1611 45	Number plate Rear	1	
10	39 1680 04	Hex Flanged Bolt	2	
11	39 1783 01	Truss Screw	2	For Front No. Plate
12	DP 1611 44	Number plate front	1	
13	DH 1612 92	No. plate mounting bracket	1	
14	39 1773 04	Bolt flange	2	



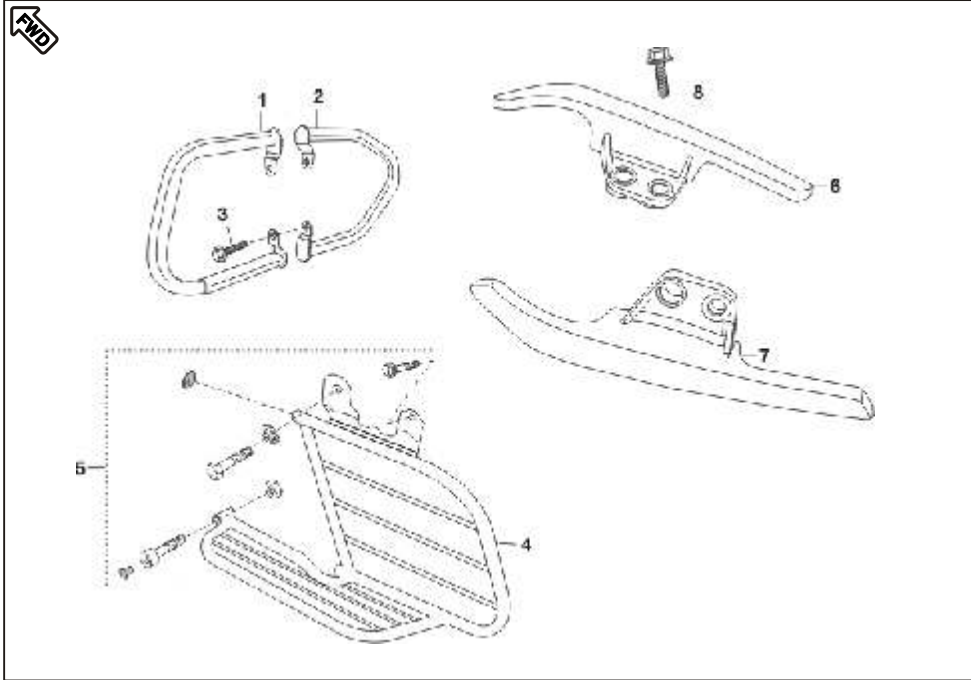
No.	Part No.	Description	Qty/ Veh.	Remarks
1	DK 2010 37	Horn LH stay	1	
2	DK 2010 38	Horn RH stay	1	
3	39 1507 11	Plain Washer	1	
4	39 1956 04	Flange Bolt	1	
5	DK 2010 02	Wiring Harness	1	
	DK 2010 62	Wiring Harness	1	
6	31 2010 79	Rear Brake Switch	1	Alt. DS 2010 29
7	DK 1910 14	Spring Brake Switch	1	
8	DH 2010 19	Grommet Rear Brake Switch	1	
9	DJ 2011 25	Battery (12V-9A)	1	N.S.
10	DJ 1612 47	Band Battery	1	



No.	Part No.	Description	Qty/ Veh.	Remarks
11	39 1551 04	Flange Bolt	1	
12	DK 2010 16	Starter Relay / Damper	1	N.I.
13	DJ 1810 65	Clip Nut	4	
14	DJ 2010 20	Cable assly. (Battery to St. Relay)	1	
15	DK 2010 28	Cable assly. (Battery to Earth)	1	
16	DK 2010 47	Roll over sensor	1	
17	DJ 2010 28	Main relay	1	
18	DK 2010 26	B.C.U.	1	
19	DJ 2011 44	Diode unit	1	N.I.



No.	Part No.	Description	Qty/ Veh.	Remarks
1	DH 2210 04	Tool Kit	1	
*	30 2210 04	Tool Driver	1	
*	DH 2210 05	Tool Wrench (Box 16 mm)	1	
*	30 2210 33	Tool Wrench (10 X 13)	1	
*	30 2210 11	Tool Wrench (14 X 17)	1	
*	30 2210 10	Plier	1	For reference only not to service separately
*	DH 2210 03	Tool Bag	1	
*	DJ 2210 07	Tool wrench (27/22 A/F)	1	
*	30 2210 09	Tool bar	1	
*	DG 2210 40	Tool wrench	1	
*	39 1588 21	"O" ring for tool kit	1	
2	DH 2110 05	Band Tool Kit	2	



No.	Part No.	Description	Qty/ Veh.	Remarks
1	DK 2210 05	Leg Guard LH	1	Ref. page no. 66
2	DK 2210 06	Leg Guard RH	1	
3	39 2310 04	Flange bolt	4	
4	DK 1611 76	Sari Guard Assly.	1	
5	36 DK00 23	Kit hardware sari guard	1	
6	DK 1611 47	Grab handle LH	1	N.I. N.I.
7	DK 1611 48	Grab handle RH	1	
8	39 2310 04	Bolt Flange	4	
9	DJ 1610 79	Foam LH For grab	1	
10	DJ 1610 80	Foam RH For grab	1	

Sr. No.	Kit Part No.	Kit Description	Consisting of Following Parts		
			Part No.	Description	Qty./Kit
1	36DS1001	Cyl.Head O Ring Kit	39239121	O Ring (Cover tappet)	2
			39128321	O ring	2
2	DK101327	Valve Kit	DK101052	Valve Intake	1
			DK101011	Valve Exhaust	1
3	DK101326	Valve Repair Kit	DK101247	Retainer valve spring	2
			DK101108	Spring valve inner	2
			DK101110	Spring valve outer	2
			DK101246	Seat valve spring	2
4	DK101330	Guide Chain Kit	DK101060	Guide chain (Tight)	1
			DK101059	Guide Chain (slack)	1
5	DK101328	Ring set piston	DK101049	Ring piston top	1
			DK101050	Ring piston second	1
			DK101051	Ring piston oil	1
6	36DK0007	Kit centrifugal oil filter	39220011	Washer	1
			DH101234	Gasket centrifugal oil filter	1
			39226701	Oval screw	1
			DH101066	Join oil delivery	1
			DH101067	Spring oil delivery	1
			39219908	Pin oil delivery joint	1
7	DK101334	Set Damper (cover magneto)	DK101191	Damper Cover Magneto	1
			DH101292	Damper A Cover LH RR	1
			DH101294	Damper B Cover LH RR	1
8	DK101333	Set of Plate (cover magneto)	DK101192	Plate Damper	1
			DH101293	Plate Damper Cover LH RR	1
9	36DK0011	Kit hardware engine mounting	39231204	Bolt flange	4
			39197015	Nut flange	8
			39241304	Bolt flange	1
			DH161245	U Nut	3
10	36DV0003	Bearing cone kit	DG181045	Bearing cone	1
			DG181046	Bearing race	1
			DG181047	Upper bearing race	1
11	36DK0012	Kit bush rear shock absorber	39071411	Plain washer	8
			39071215	Dome cap nut	2
			39073712	Spring washer	2
12	36DK0013	Kit hardware pillion	DJ161186	Plait side pillion stape	2
			DH161061	Pin pillion set	2
			30141031	"O" ring	2
			39104011	Plain washer	2
			39078408	Split pin	2
13	36DK0024	Chain sprocket kit	DV101048	Sprocket drive	1
			DK151025	Sprocket	1
			DK151010	Chain	1

