

**AVENGER** | **AVENGER**  
**220 CRUISE** | **220 STREET** BS IV



**AVENGER** | **AVENGER**  
**220 CRUISE** | **220 STREET** BS IV

Bajaj Auto Limited  
Akurdi Pune 411 035 India  
Tel +91 20 27472851  
Fax +91 20 27407385  
[www.bajajauto.com](http://www.bajajauto.com)

CIN L65993PN2007PLC130076

# Spare Parts Catalogue



## Notice

---

All information contained in this manual is based on the latest product information at the time of publication. Bajaj Auto Limited accepts no liability for any inaccuracies or omissions in this publication, although every possible care has been taken to make it as complete and accurate as possible. All procedures and specifications subject to change without prior notice. The right is reserved to make such changes at any time without prior notice and without incurring an obligation to make such changes to product manufactured previously. Contact your authorized Bajaj Dealer for the latest information on product improvements incorporated after this manual was issued.

**DOC. NO.: 71112317**

**REV. 13 JULY 17**

Copy rights : All rights reserved. No part of this publicatin may be reproduced, stored in a retrival system, Or transmitted in any form or by any means, electronic mechanical photocopying, recording or otherwise, without the prior written permission of Bajaj Auto LTD.

---

We have pleasure in presenting the Spare Parts Catalogue for 'Avenger 220 Cruise & Street' Motorcycle. This catalogue has been specially designed to assist you in selecting the correct parts for procurement to maintain 100% availability.

The Bajaj spares are subjected to the stringent quality control standards to ensure longer life of the vehicle. It is therefore necessary that only the Genuine Bajaj Spares are used.

In a continual effort to improve Performance and Efficiency of the vehicles, Specifications, Diagrams, Illustrations and Part Numbers can change without notice. Consequently, the description in this Spare Parts Catalogue cannot therefore be final and binding on us.

The modifications / alterations which are carried out after the issue of this catalogue, will be conveyed to you through our Service Circulars. You are requested to make necessary corrections in the Parts Catalogue as per the circulars so as to keep your catalogue up-to-date. This will ensure the appropriate and speedy delivery of the Spare Parts as the order placed will bear the latest part numbers.

In case, if you need any technical assistance contact the concerned Regional Office or write to us on the following address :

**Bajaj Auto Limited**  
**Service Department**  
Akurdi, Pune 411 035 India

**1. How to Read the Catalogue :** Open the catalogue and from the pictorial index locate the group in which the part you want to find is present. Turn over to the concerned page number (as given by pictorial index). Now find out the figure of the part you wish to order. Write down the part number against that particular figure number from the text.

In case, if you have the part number and you need the other details, the part index can be used. The part index (at the end of the catalogue) will give you the figure and page number of the part you wish to order.

**2. How to Order Spare Parts :** The part number and the description of the part required should be invariably mentioned in the order as per the catalogue text.

The latest part number as conveyed through our service circulars should only appear on the order. In case of ordering painted components, colour shade of the components should be mentioned.

The quantity shown against the part number is the quantity per vehicle for that group so that particular quantity should be multiplied by the number of sets required.

**3. Part Number System :** We have used 8 digit system for part numbers. The model or hardware item is indicated by first two digits or alphanumeric, the next two or four digits indicate main group and the last four or two digits indicate serial number in main group or serial number or subgroup of fastener respectively. Thus the part numbers will be indicated by 2-2-4 or 2-4-2 digit system. Understanding this system will enable you to identify the spare parts easily.

**4. Abbreviations :** The following abbreviations are used in this catalogue.

Assly	Assembly	V	Volts
N.I.	Not illustrated	W	Watts
C'case	Crankcase	Accl.	Accelerator
Cyl	Cylinder	Comp.	Complete
O/s	Over size	Fr.	Front
Rr.	Rear	Std.	Standard
L	Length	A/t.	Alternate
R.H.	Right hand	L.H.	Left hand
Hex.	Hexagonal	AR	As required





Plate No.	Description	Page No.
1	Cover Cylinder Head	2
2	Cylinder Head	4
3	SAI System	6
4	Valve	8
5	Camshaft / Tensioner	10
6	Cylinder and Piston	12
7	Crankshaft	14
8	Balancer & Balancer Idler Gear	16
9	Transmission	18
10	Change Drum / Shift Fork	20
11	Gear Change Mechanism	22
12	Engine Assembly & Crankcase RH	24
13	Crankcase LH	26
14	Cover Clutch	28
15	Cover Magneto	30
16	Clutch Assembly	32
17	Oil Pump	34
18	Oil Cooler Assembly	36
19	Carburettor	38
20	Silencer Assembly	40
21	Air Cleaner	42
22	Magneto, C.D.I. & H.T. Coil	44
23	Starter Motor & Starter Assembly	46
24	Frame and Frame Fitting	48
25	Frame Fitting	50
26	Swing Arm	52
27	Rear Shock Absorber	54
28	Foot Rest	56
29	Mudguard - Front & Rear	58
30	Stand Assembly	60
31	Tyre, Tube & Wheel Rim	62

Plate No.	Description	Page No.
32	Front Hub	64
33	Rear Hub - Spoke (Cruise)	66
34	Rear Hub - Alloy Wheel (Street)	68
35	Rear Brake Pedal	70
36	Front Master Cylinder	72
37	Front Brake - Caliper & Disc	74
38	Handle Bar Assembly	76-78
39	Front Fork	80-82
40	Fuel Tank	84-86
41	EVAP Mechanism	88
42	Seat, Grip Frame Rear & Cover Grip Frame	90
43	Speedometer	92
44	Cables	94
45	Side Covers & Chain Covers	96
46	Guards	98
47	Head Light	100
48	Tail Light & Reflector Reflex	102
49	Indicator Light	104
50	Electrical Equipment	106
51	Ignition Switch and Control Switch	108
52	Tool Kit	110
53	Painted Parts and Decals	112 - 114
54	Consumable Parts	115 - 118
	Kits List	119-122
	Amendment Sheet (Parts Added)	123
	Amendment Sheet (Parts Deleted)	124
	Part Index	125

# Pictorial Index

PLATE NO. : 1  
COVER CYLINDER HEAD

PAGE NO.  
1

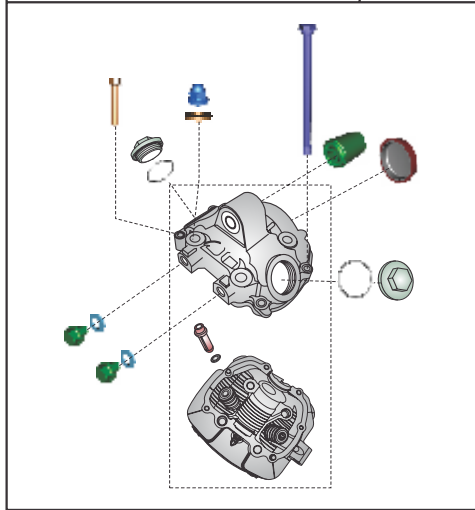


PLATE NO. : 2  
CYLINDER HEAD

PAGE NO.  
3

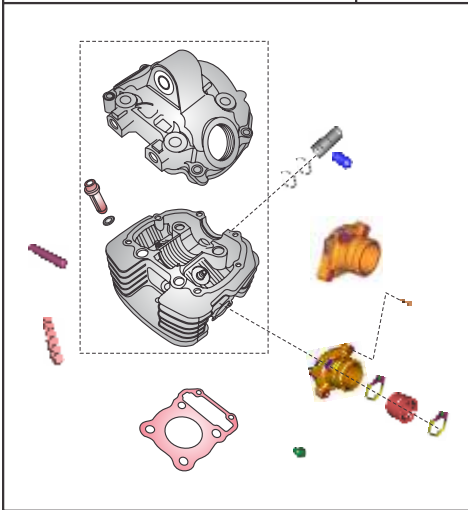


PLATE NO. : 3  
SAI SYSTEM

PAGE NO.  
5

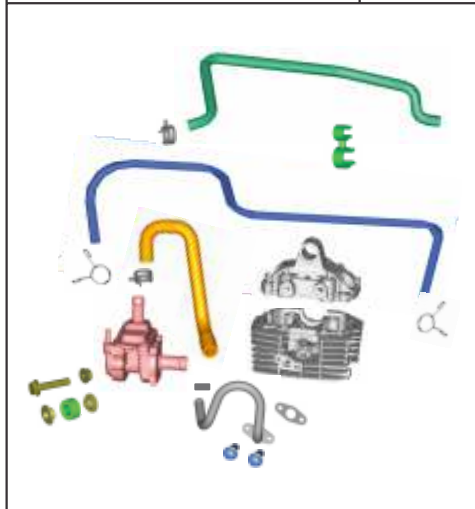
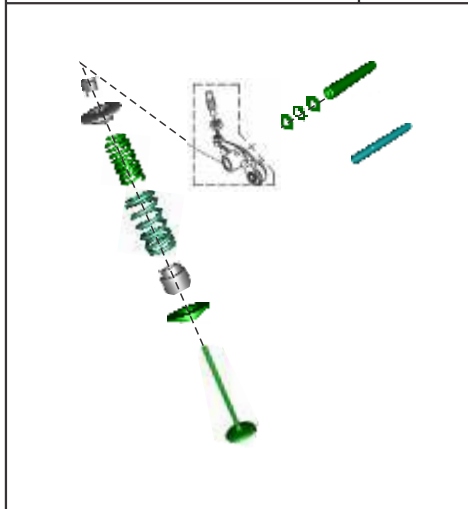


PLATE NO. : 4  
VALVE

PAGE NO.  
7



# Pictorial Index

PLATE NO. : 5  
CAMSHAFT / TENSIONER

PAGE NO.  
9

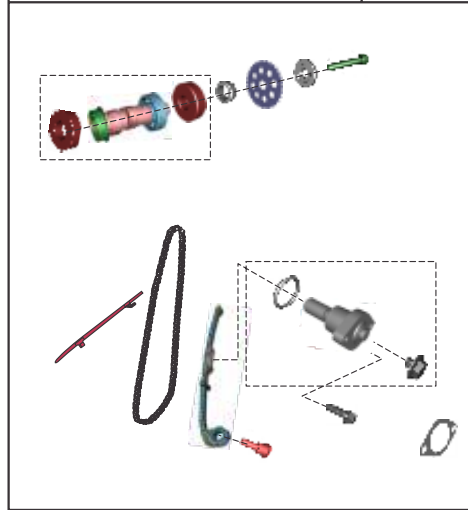


PLATE NO. : 6  
CYLINDER & PISTON

PAGE NO.  
11

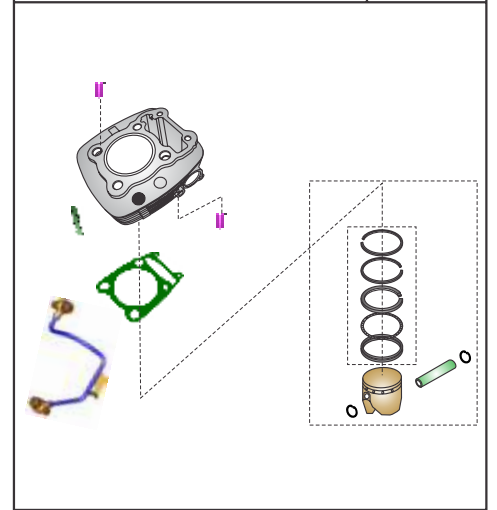


PLATE NO. : 7  
CRANKSHAFT

PAGE NO.  
13

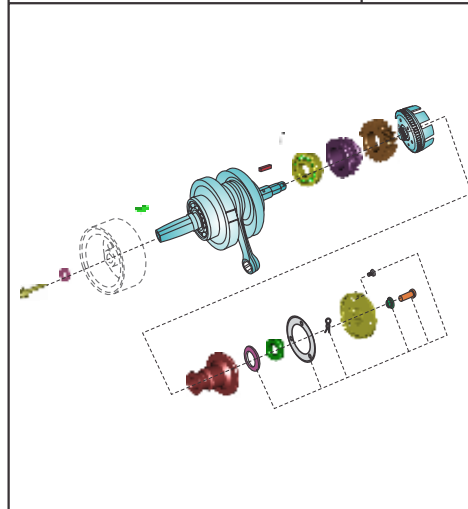
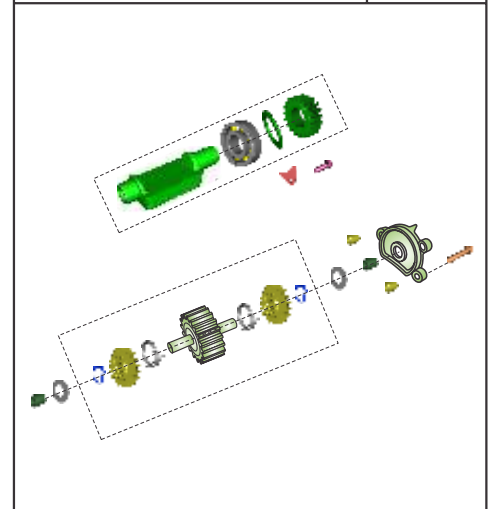


PLATE NO. : 8  
BALANCER & BALANCER IDLER GEAR

PAGE NO.  
15



# Pictorial Index

PLATE NO. : 9  
TRANSMISSION

PAGE NO.  
17

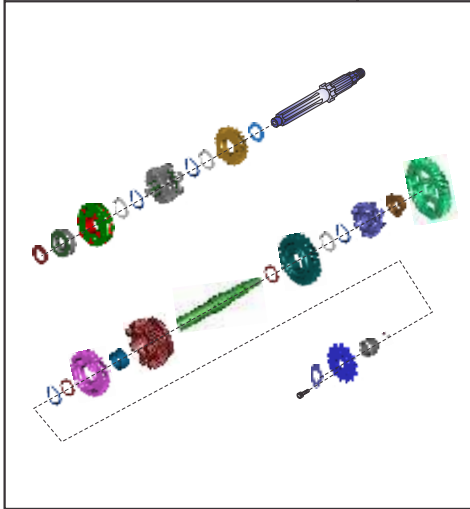


PLATE NO. : 10  
CHANGE DRUM / SHIFT FORK

PAGE NO.  
19

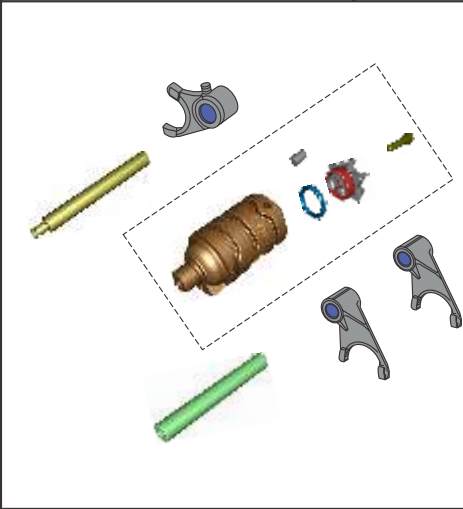


PLATE NO. : 11  
GEAR CHANGE MECHANISM

PAGE NO.  
21

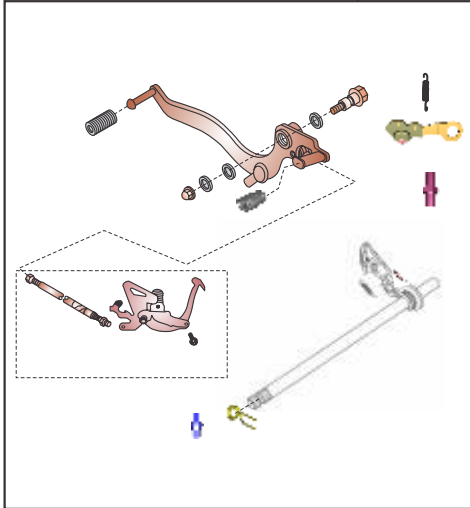
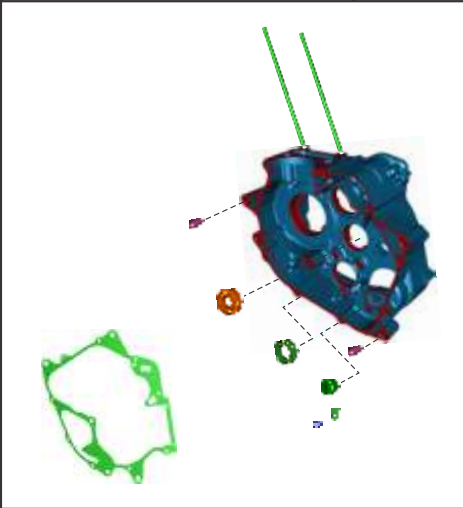


PLATE NO. : 12  
ENGINE ASSLY / CRANKCASE RH

PAGE NO.  
23



# Pictorial Index

PLATE NO. : 13  
CRANKCASE LH

PAGE NO.  
25

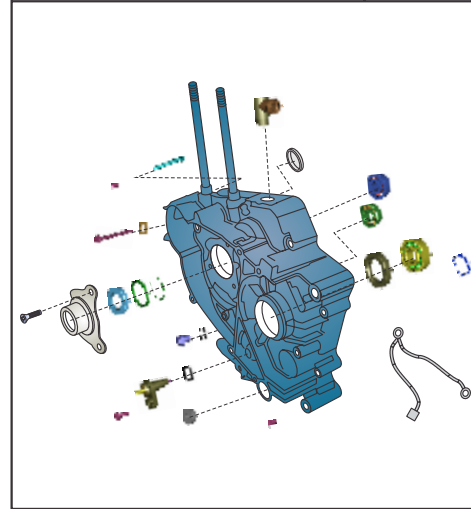


PLATE NO. : 14  
COVER RH

PAGE NO.  
27

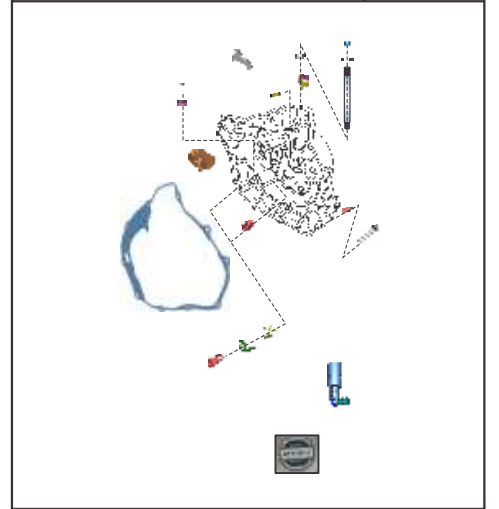


PLATE NO. : 15  
COVER MAGNETO

PAGE NO.  
29



PLATE NO. : 16  
CLUTCH ASSLY

PAGE NO.  
31

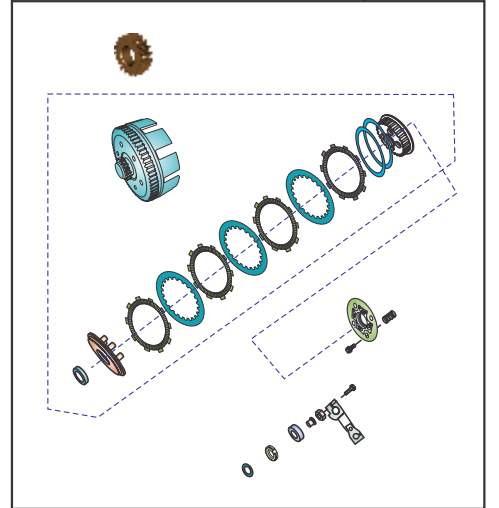




PLATE NO. : 17  
OIL PUMP

PAGE NO.  
33

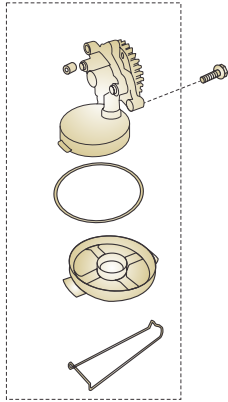


PLATE NO. : 18  
OIL COOLER ASSEMBLY

PAGE NO.  
35

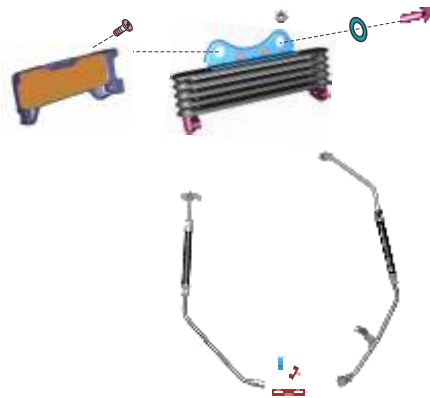


PLATE NO. : 19  
CARBURETTOR

PAGE NO.  
37

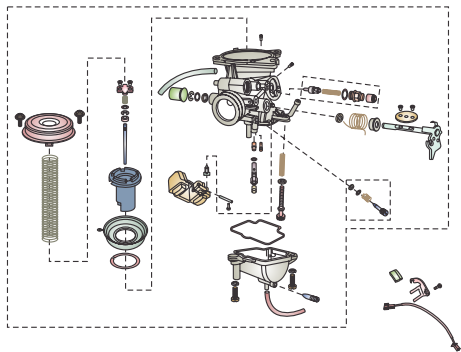


PLATE NO. : 20  
SILENCER ASSEMBLY

PAGE NO.  
39

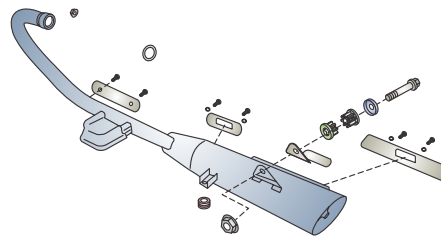


PLATE NO. : 21  
AIR CLEANER

PAGE NO.  
41

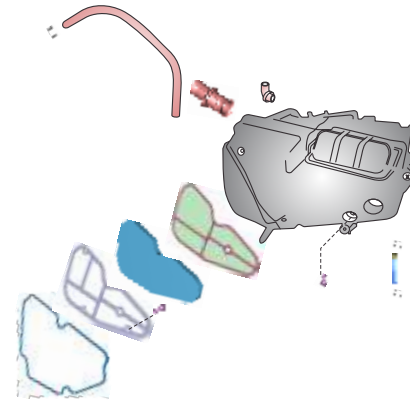


PLATE NO. : 22  
MAGNETO, C.D.I. & H.T. COIL

PAGE NO.  
43

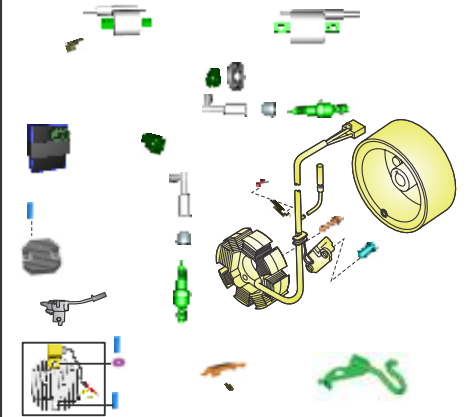


PLATE NO. : 23  
STARTER MOTOR & STARTER ASSLY

PAGE NO.  
45

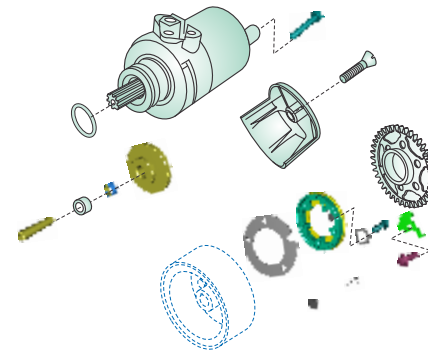
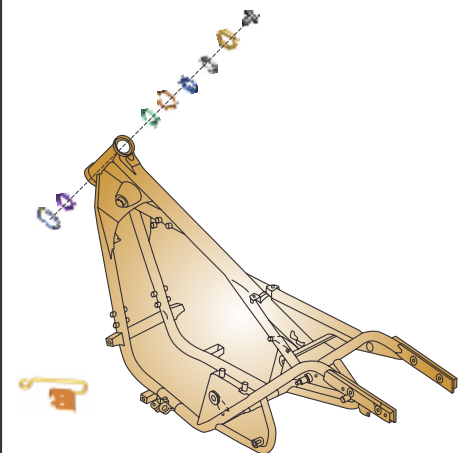


PLATE NO. : 24  
FRAME AND FRAME FITTINGS

PAGE NO.  
47



# Pictorial Index

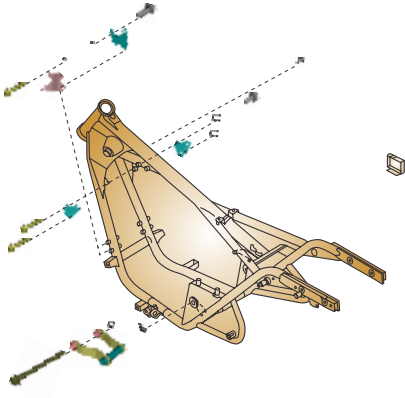
PLATE NO. : 25 FRAME FITTINGS	PAGE NO. 49
	

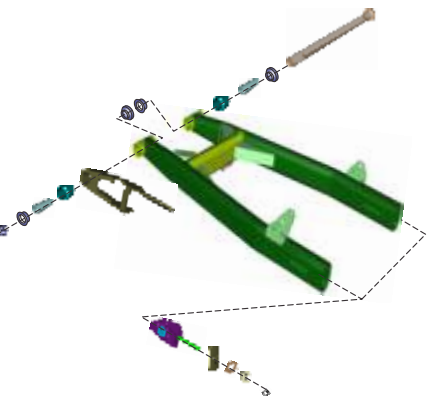
PLATE NO. : 26 SWING ARM	PAGE NO. 51
	

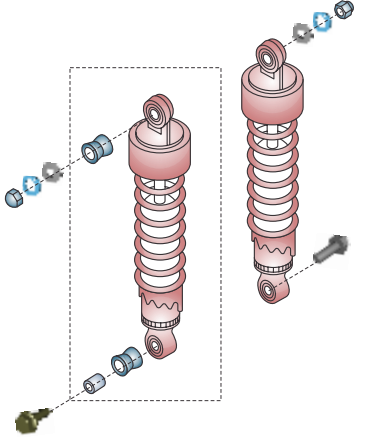
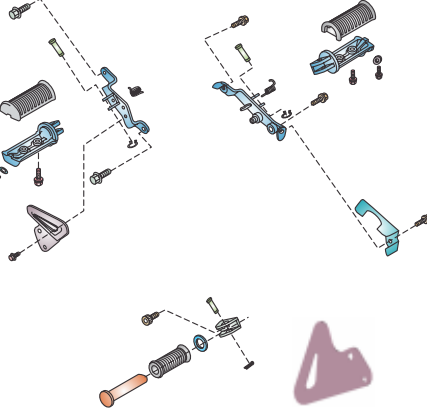
PLATE NO. : 27 REAR SHOCK ABSORBER	PAGE NO. 53
	

PLATE NO. : 28 FOOT REST	PAGE NO. 55
	

# Pictorial Index

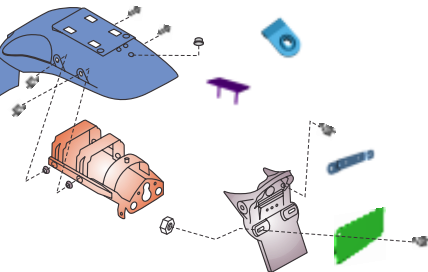
PLATE NO. : 29 MUDGUARD - FRONT & REAR	PAGE NO. 57
	

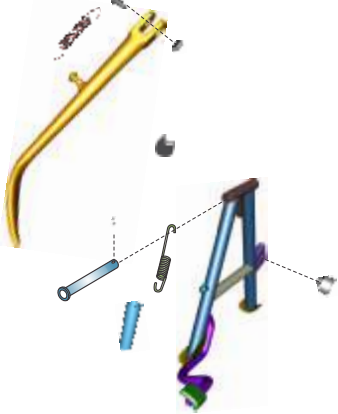
PLATE NO. : 30 STAND ASSEMBLY	PAGE NO. 59
	


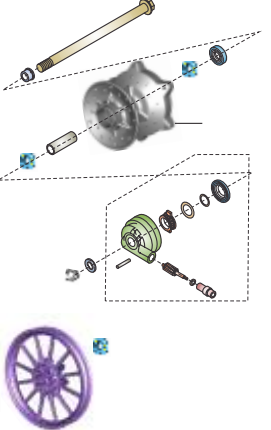
PLATE NO. : 31 TYRE / TUBE AND WHEEL RIM	PAGE NO. 61
	

PLATE NO. : 32 FRONT HUB	PAGE NO. 63
	

# Pictorial Index

PLATE NO. : 33 REAR HUB - SPOKE (CRUIZE)	PAGE NO. 65

PLATE NO. : 34 REAR HUB - ALLOY WHEEL (STREET)	PAGE NO. 67

PLATE NO. : 35 REAR BRAKE PEDAL	PAGE NO. 69

PLATE NO. : 36 FRONT MASTER CYLINDER	PAGE NO. 71

# Pictorial Index

PLATE NO. : 37 FRONT BRAKE - CALIPER DISC	PAGE NO. 73

PLATE NO. : 38 HANDLE BAR ASSEMBLY	PAGE NO. 75-77

PLATE NO. : 39 FRONT FORK	PAGE NO. 79-81

PLATE NO. : 40 FUEL TANK	PAGE NO. 83-85

PLATE NO. : 41 EVAP MECHANISM	PAGE NO. 87

PLATE NO. : 42 SEAT / GRIP FRAME REAR / COVER GRIP FRAME	PAGE NO. 89

PLATE NO. : 43 SPEEDOMETER	PAGE NO. 91

PLATE NO. : 44 CABLES	PAGE NO. 93

PLATE NO. : 45 SIDE COVERS / CHAIN COVER	PAGE NO. 95

PLATE NO. : 46 GUARDS	PAGE NO. 97

PLATE NO. : 47 HEAD LIGHT	PAGE NO. 99

PLATE NO. : 48 TAIL LIGHT / REFLECTOR REFLEX	PAGE NO. 101

PLATE NO. : 49  
INDICATOR LIGHT

PAGE NO.  
103

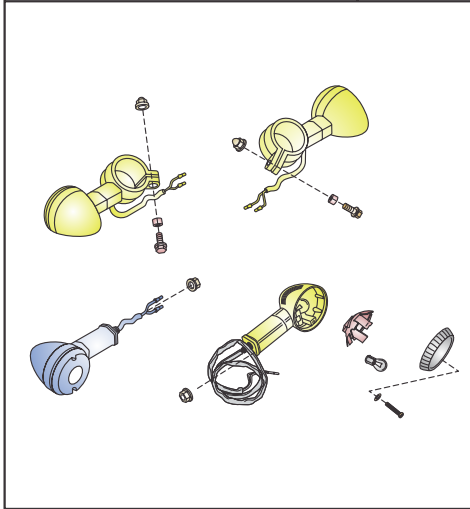


PLATE NO. : 50  
ELECTRICAL EQUIPMENT

PAGE NO.  
105

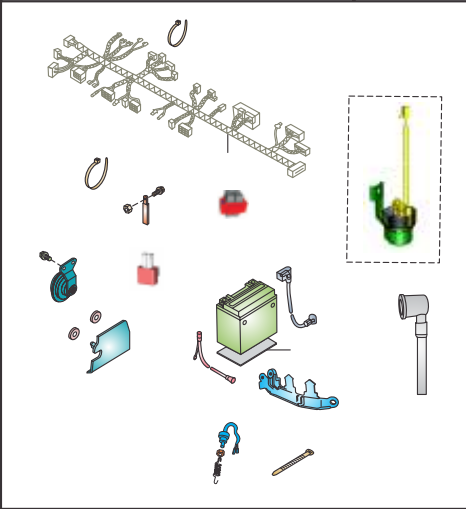


PLATE NO. : 51  
IGNITION SWITCH AND  
CONTROL SWITCH

PAGE NO.  
107

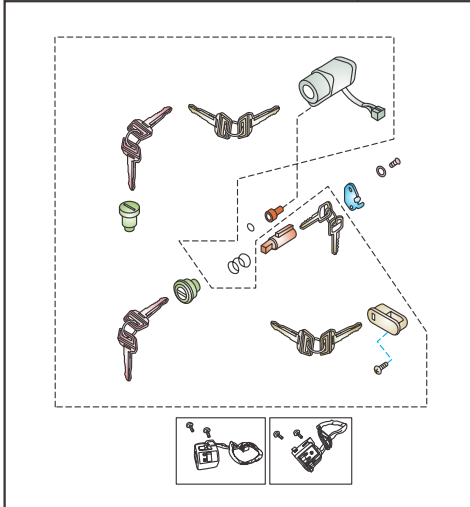


PLATE NO. : 52  
TOOL KIT

PAGE NO.  
109

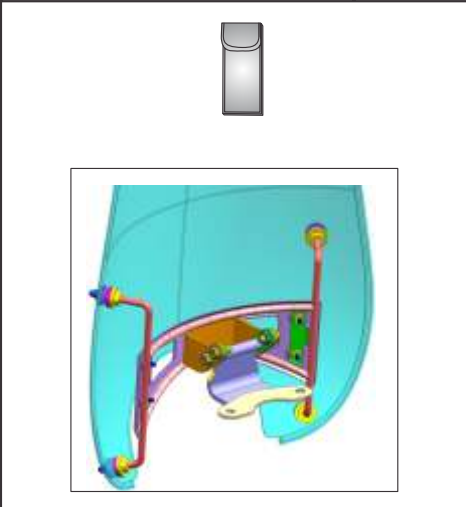


PLATE NO. : 53  
PAINTED PARTS AND DECALS

PAGE NO.  
111 - 113



PLATE NO. : 54  
CONSUMABLE PARTS

PAGE NO.  
115

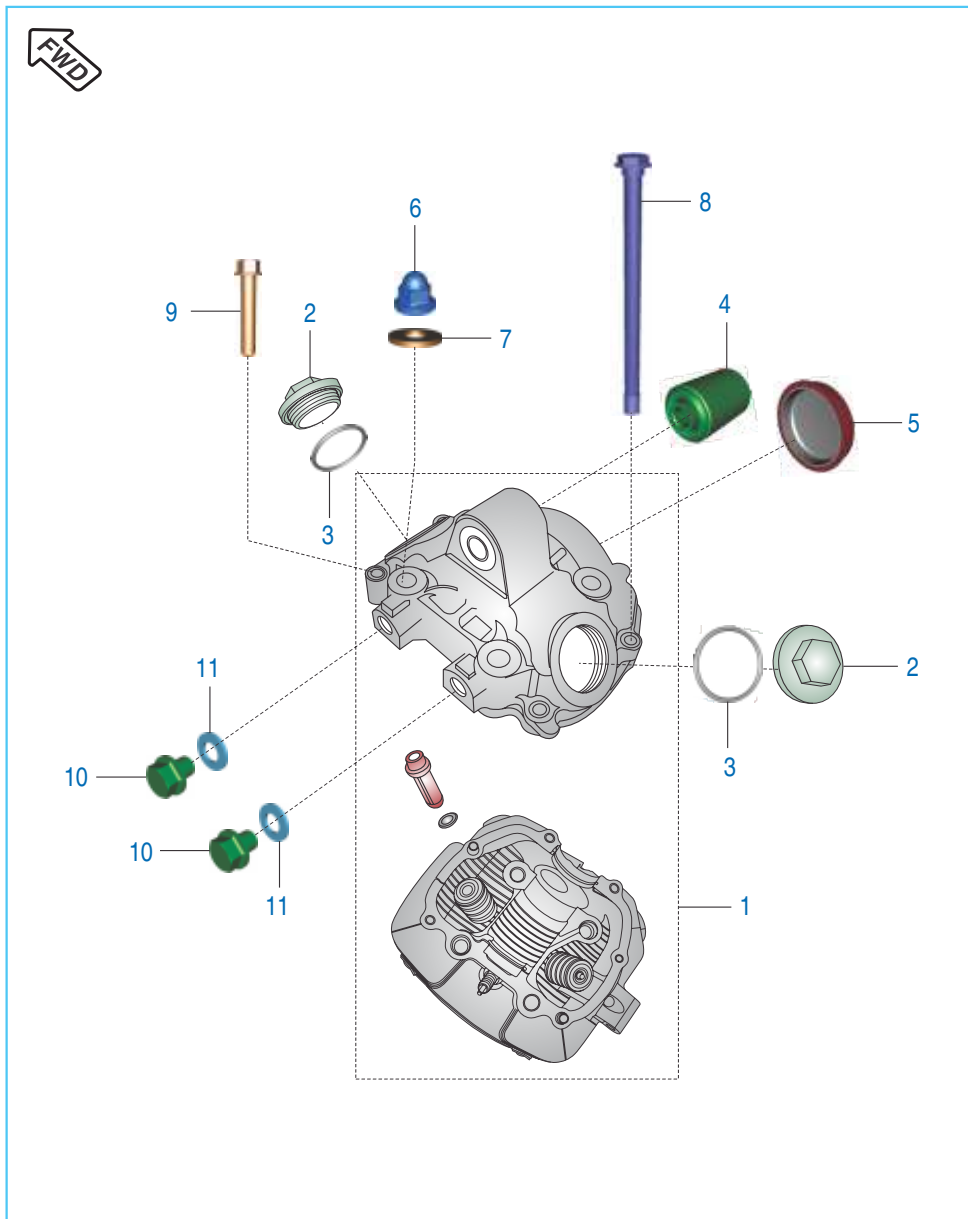


PLATE NO. : 54  
CONSUMABLE PARTS

PAGE NO.  
117

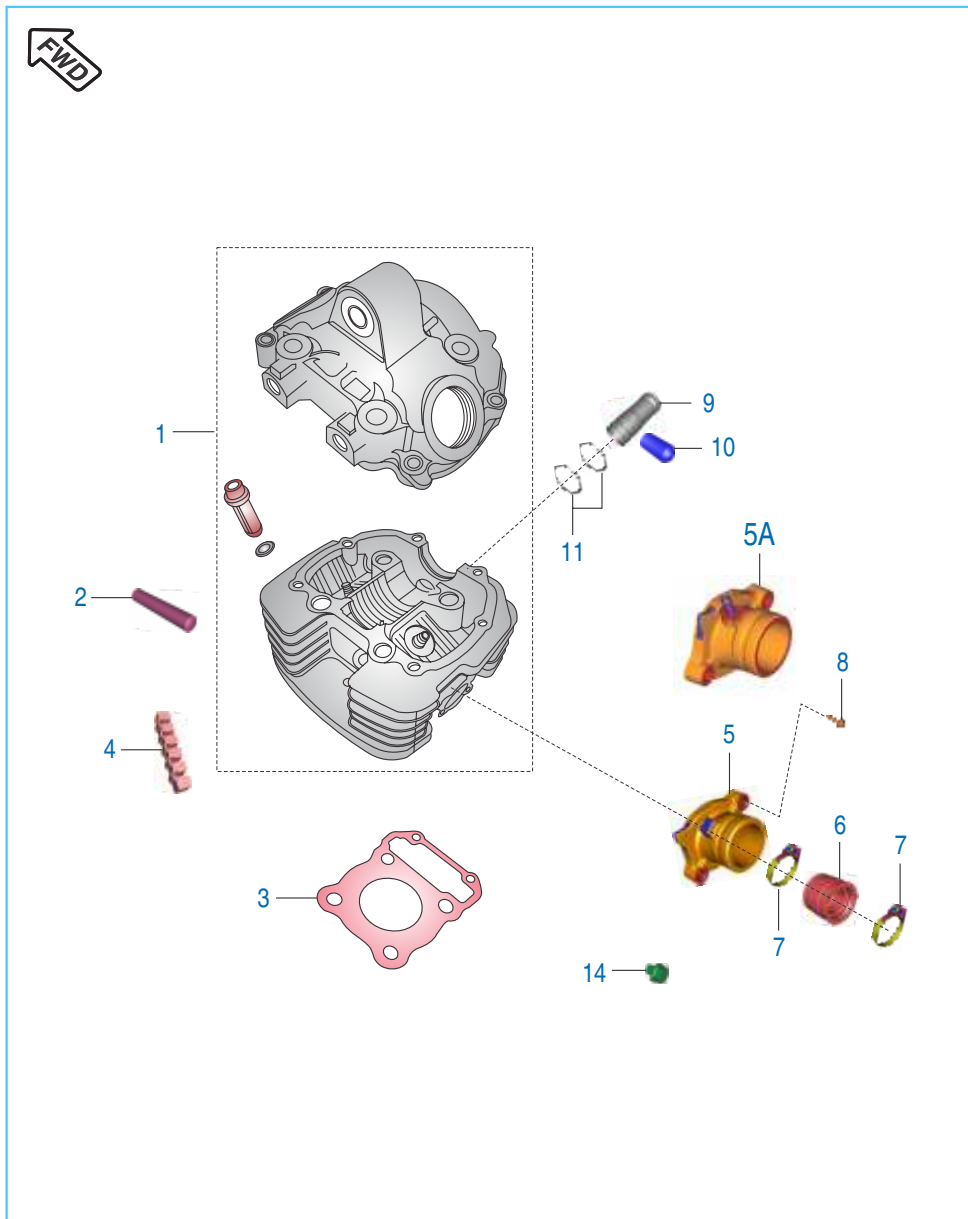


Cover Cylinder Head



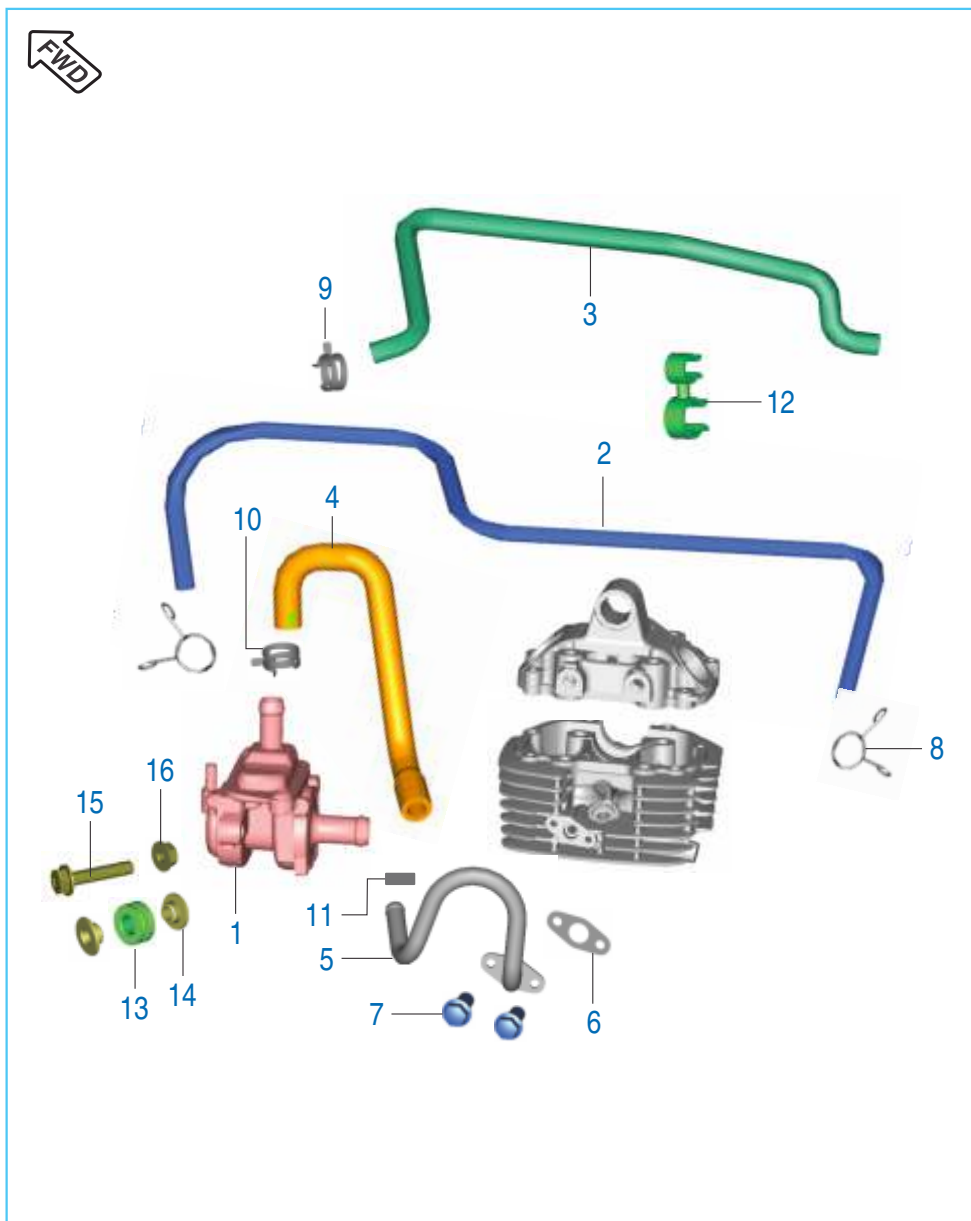
No.	Part No.	Description	Cruise	Street	Remarks
			Qty.	Qty.	
1	PD 5110 53	Kit Head Cylinder with Cover	1	1	Refer Page No. 110 BS IV
	36 PD00 61	Kit Head Cylinder with Cover	1	1	
2	PD 5110 25	Cover Tappet	2	2	
3	36 DS10 01	'O' Ring Kit for Cover Cyl Head	1	1	Refer Page No. 110
4	DS 1011 66	Silent Bush (V)	1	1	
5	DS 1010 96	Camshaft Cap	1	1	
6	39 2647 15	Domed Cap Nut	4	4	
7	DS 1010 84	Copper Gasket (Washer)	4	4	
8	59 0400 23	Hex. Bolt with Flange	2	2	
9	39 1075 04	Hex. Bolt with Flange M6 x 35	4	4	
10	DH 1012 72	Plug	2	2	
11	31 1011 06	Gasket (Washer)	2	2	

Cylinder Head



No.	Part No.	Description	Cruise	Street	Remarks
			Qty.	Qty.	
1	PD 5110 53	Kit Head Cylinder with Cover	1	1	Refer Page No. 110 BS IV
	36 PD00 61	Kit Head Cylinder with Cover	1	1	
2	39 1660 05	Stud (Exhaust)	2	2	
3	DK 1010 03	Gasket Cylinder Head	1	1	
4	DH 1015 08	Damper Cylinder Head	5	5	
5	PD 5814 03	Manifold	1	1	
5A	PD 5814 09	Assembly Intake Manifold SAI	1	1	BS IV
6	PD 5814 02	Insulator Rubber	1	1	
7	DH 1210 38	Clamp for Insulator	2	2	
8	39 1674 04	Hex. Bolt / Flange	2	2	
9	DH 1110 12	Collar - Spark Plug	1	1	
10	39 2608 01	Grub Screw	1	1	
11	36 DS10 01	'O' Ring Kit for Cover Cyl. Head	1	1	Refer Page No. 110

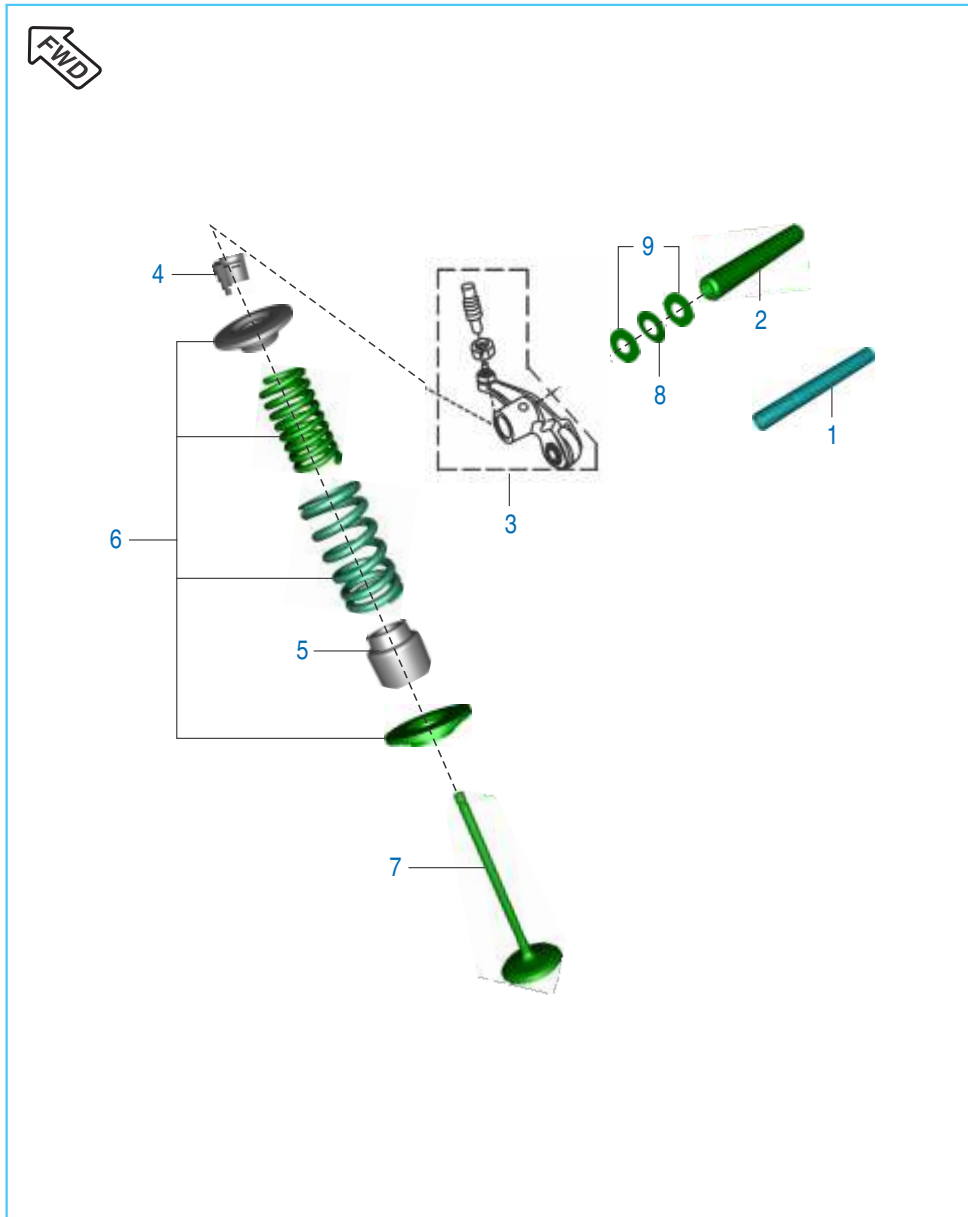
SAI System



No.	Part No.	Description	Cruise	Street	Remarks
			Qty.	Qty.	
1	PD 5822 00	SAI Unit	1	1	
2	PD 5824 00	Hose SAI Unit To Manifold	1	1	
3	PD 5824 01	Hose SAI Unit To Air Filter	1	1	
4	PD 5824 02	Hose SAI Unit To SAI Pipe	1	1	
5	DH 1021 74	Metal Pipe SAI	1		
6	DH 1021 80	Gasket Metal Pipe	1	1	
7	KA EG06 14	Flanged Bolt	2	2	
8	33 1410 08	Clamp	2	2	
9	JE 5810 39	Band Clip	1	1	
10	JL 5810 66	Clamp SAI Pipe	1	1	
11	JL 5810 65	Clamp	1	1	
12	AA 1410 67	Clip Swivel Spacer	1	1	
13	JD 1138 14	Grommet SAI Unit	2	2	
14	JD 1138 15	Sleeve SAI Unit	4	4	
15	KA DQ06 30	Bolt	2	2	
16	KC GF06 06	Nut	2	2	

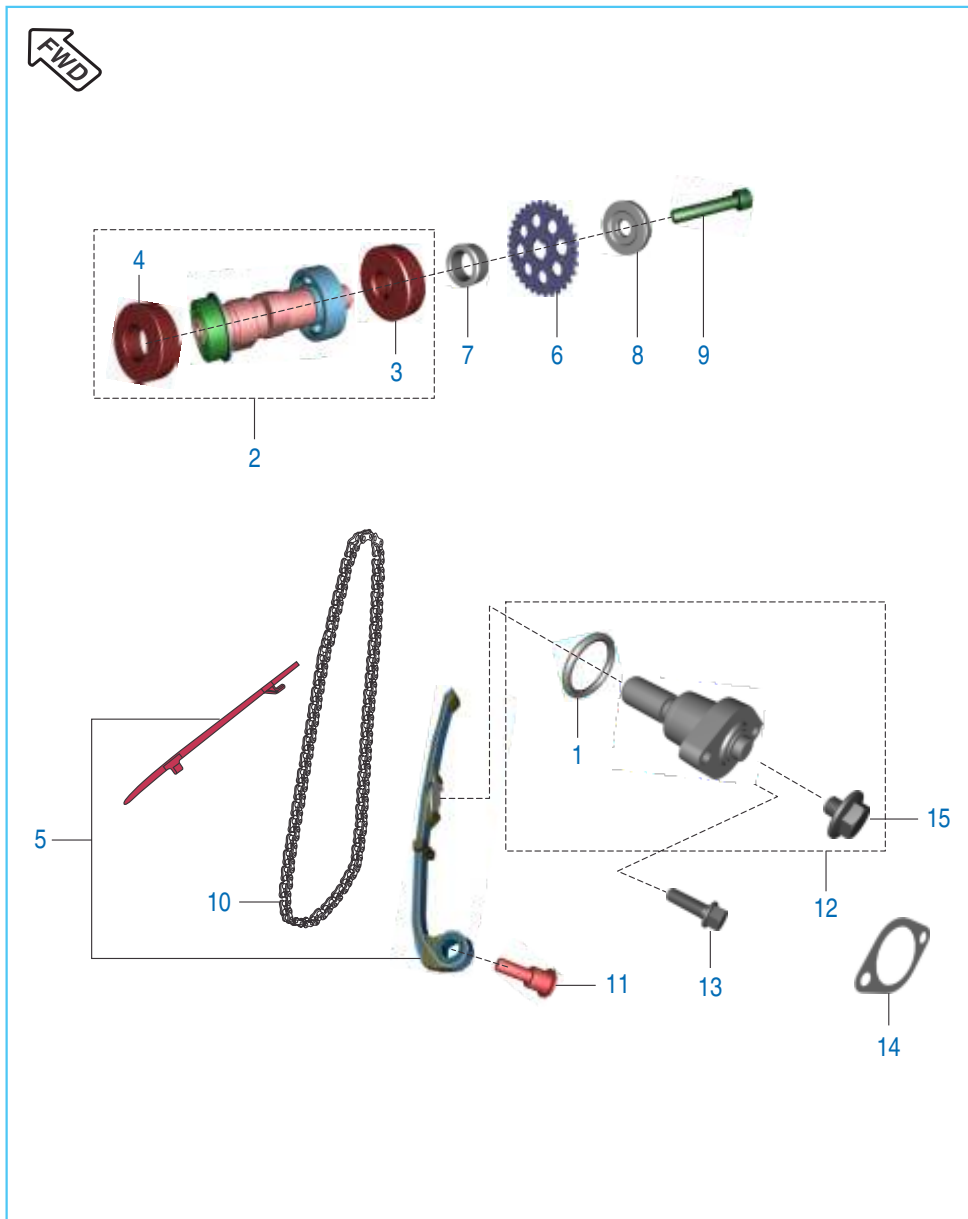


Valve



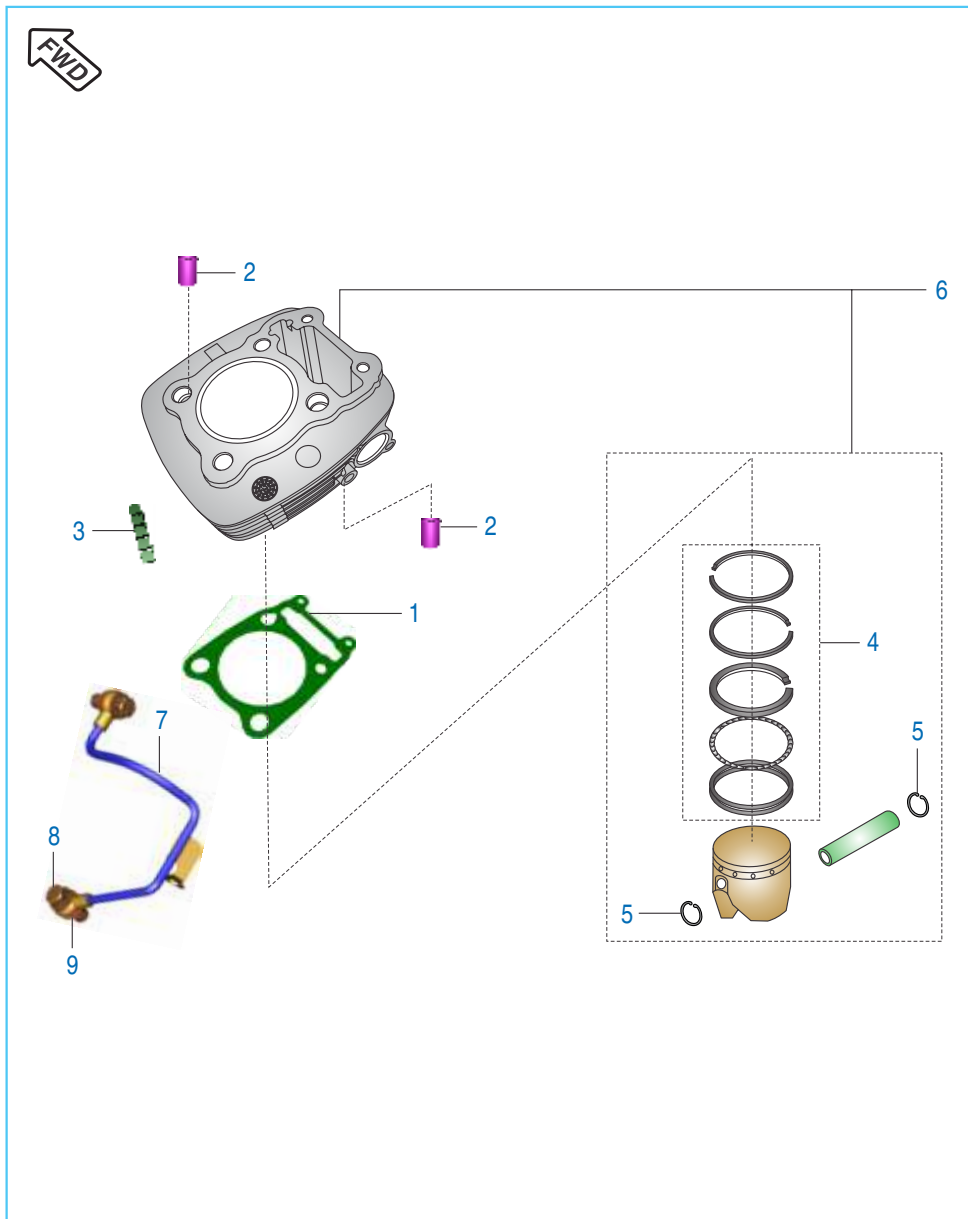
No.	Part No.	Description	Cruise	Street	Remarks
			Qty.	Qty.	
1	DK 1017 48	Rocker Arm Shaft - Intake	1	1	
2	DK 1017 51	Rocker Arm Shaft - Exhaust	1	1	
3	DK 1017 55	Rocker Arm Assembly	2	2	
4	DG 1010 29	Cotter valve	4	4	
5	39 2017 19	Seal valve stem	2	2	
6	DK 1013 26	Valve Repair Kit	1	1	Refer Page No. 110
7	DK 1013 27	Valve Kit	1	1	Refer Page No. 110
8	DH 1012 95	Wave washer	2	2	
9	39 2440 11	Plain washer (Spring Steel)	4	4	

Camshaft / Tensioner



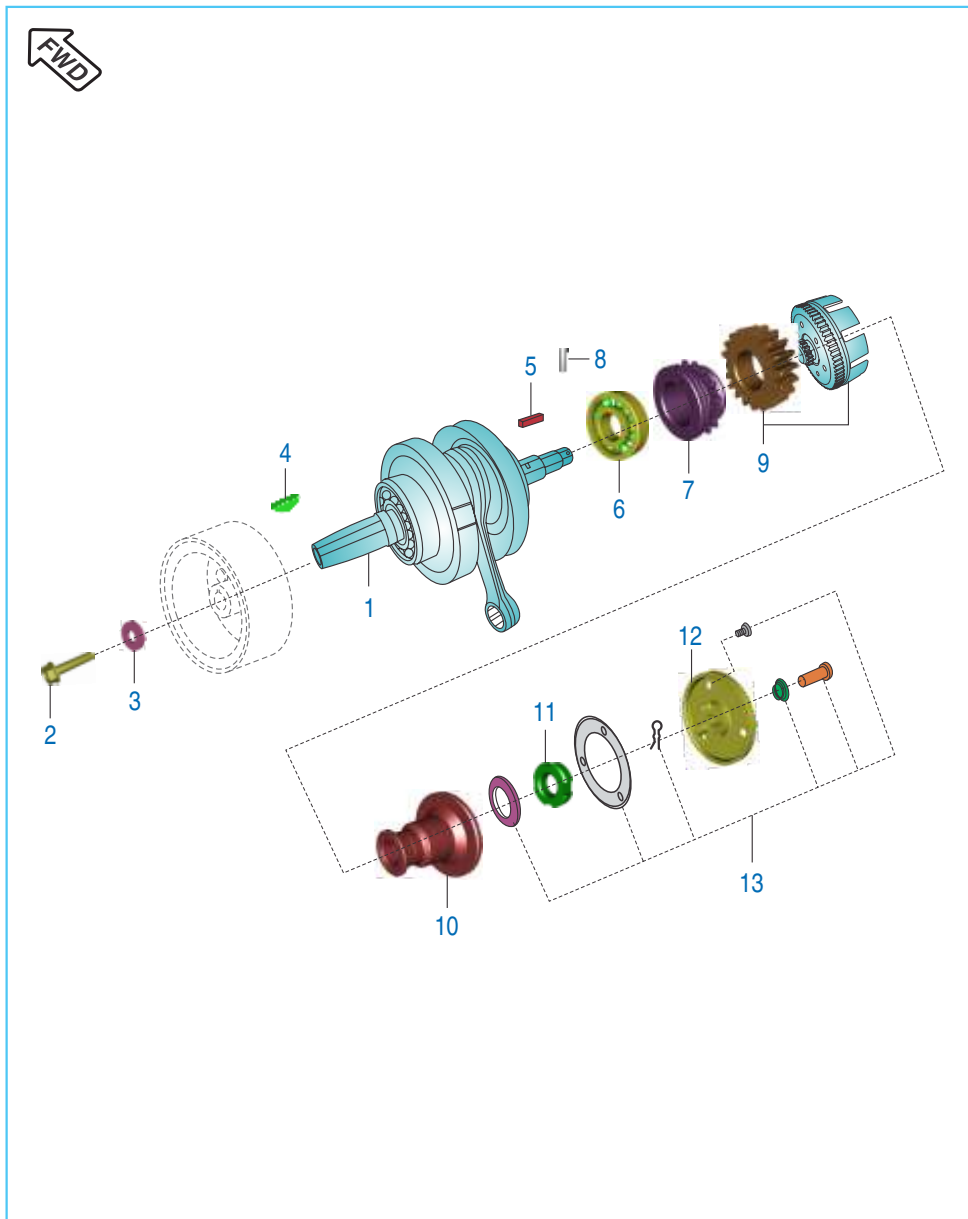
No.	Part No.	Description	Cruise	Street	Remarks
			Qty.	Qty.	
1	39 2669 21	Ring 'O' Tension assly	1	1	Refer Page No. 110
2	DK 1016 14	Camshaft Assembly	1	1	
3	39 2542 20	Bearing Ball -15X42X13	1	1	
4	39 2617 20	Bearing Ball 6002 C3	1	1	
5	DK 1013 30	Guide chain Kit	1	1	
6	PD 5112 29	Sprocket cam Driven (32 T)	1	1	
7	DH 1014 12	Collar cam Sprocket	1	1	
8	DH 1010 48	Special camshaft washer	1	1	
9	DK 1013 86	Hex. Soc. Head cap Bolt	1	1	
10	DK 1010 64	Cam Chain	1	1	
11	DH 1013 92	Cam chain Tensioner pivot Bolt	1	1	
12	JC 1010 34	Tensioner Assly	1	1	
13	39 1673 04	Hex Bolt / Flange	2	2	
14	CS 1011 28	Tensioner assly. gasket	1	1	
15	DD 1010 62	Bolt	1	1	

Cylinder and Piston



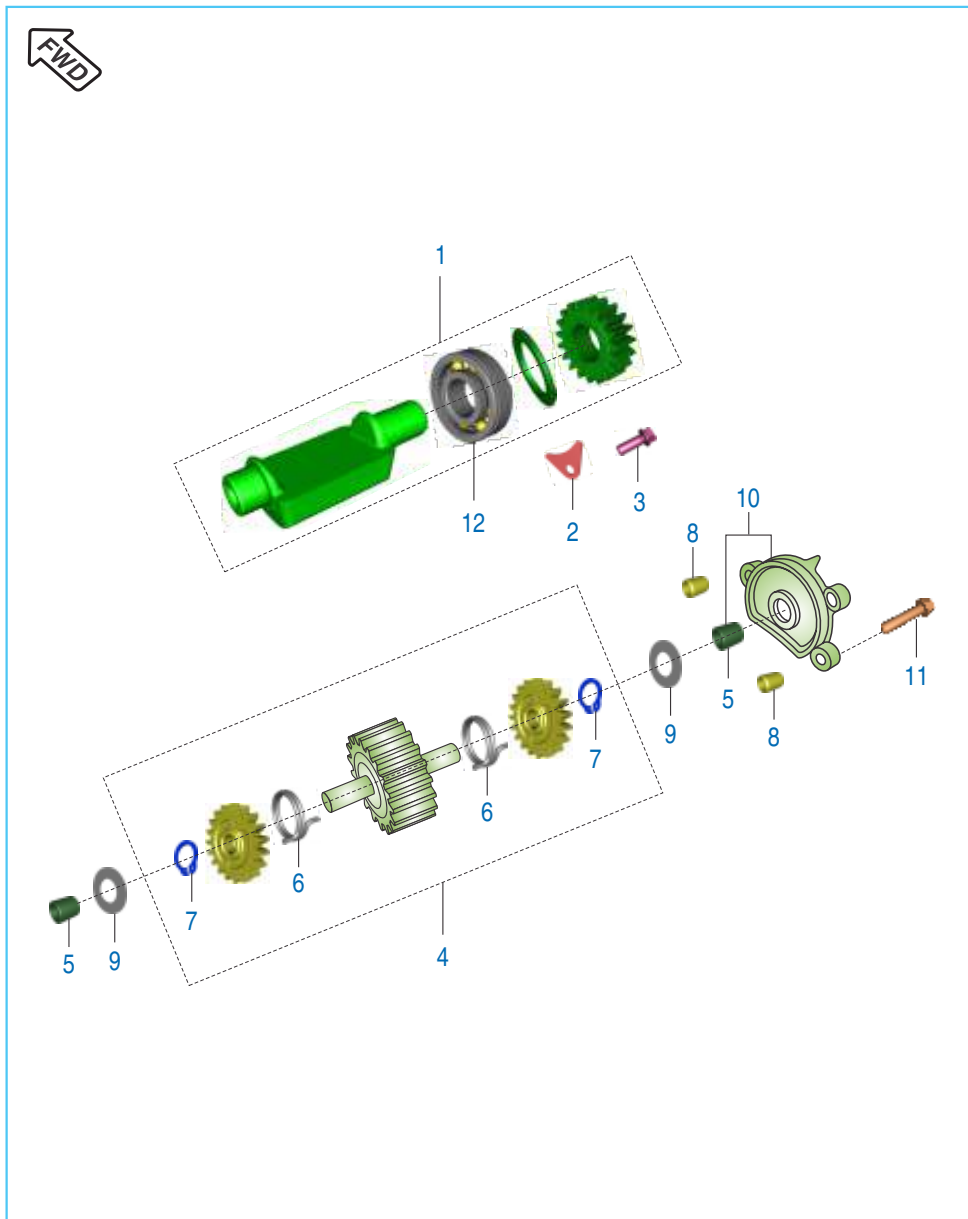
No.	Part No.	Description	Cruise	Street	Remarks
			Qty.	Qty.	
1	DK 1010 63	Gasket Cylinder	1	1	
2	39 2181 06	Pin dowel	4	4	
3	DH 1014 14	Damper	6	6	
4	DK 1013 28	Ring Set Piston	1	1	Refer Page No. 110
5	39 2132 17	Ring Snap	2	2	
6	DK 1016 25	Kit Cylinder Block & Piston Assly.	--	1	Refer Page No. 110
7	DK 1015 92	Oil cooler pipe	1	1	
8	DD 1210 07	Bolt special	2	2	
9	31 1210 06	Washer copper (Gasket)	4	4	

Crankshaft



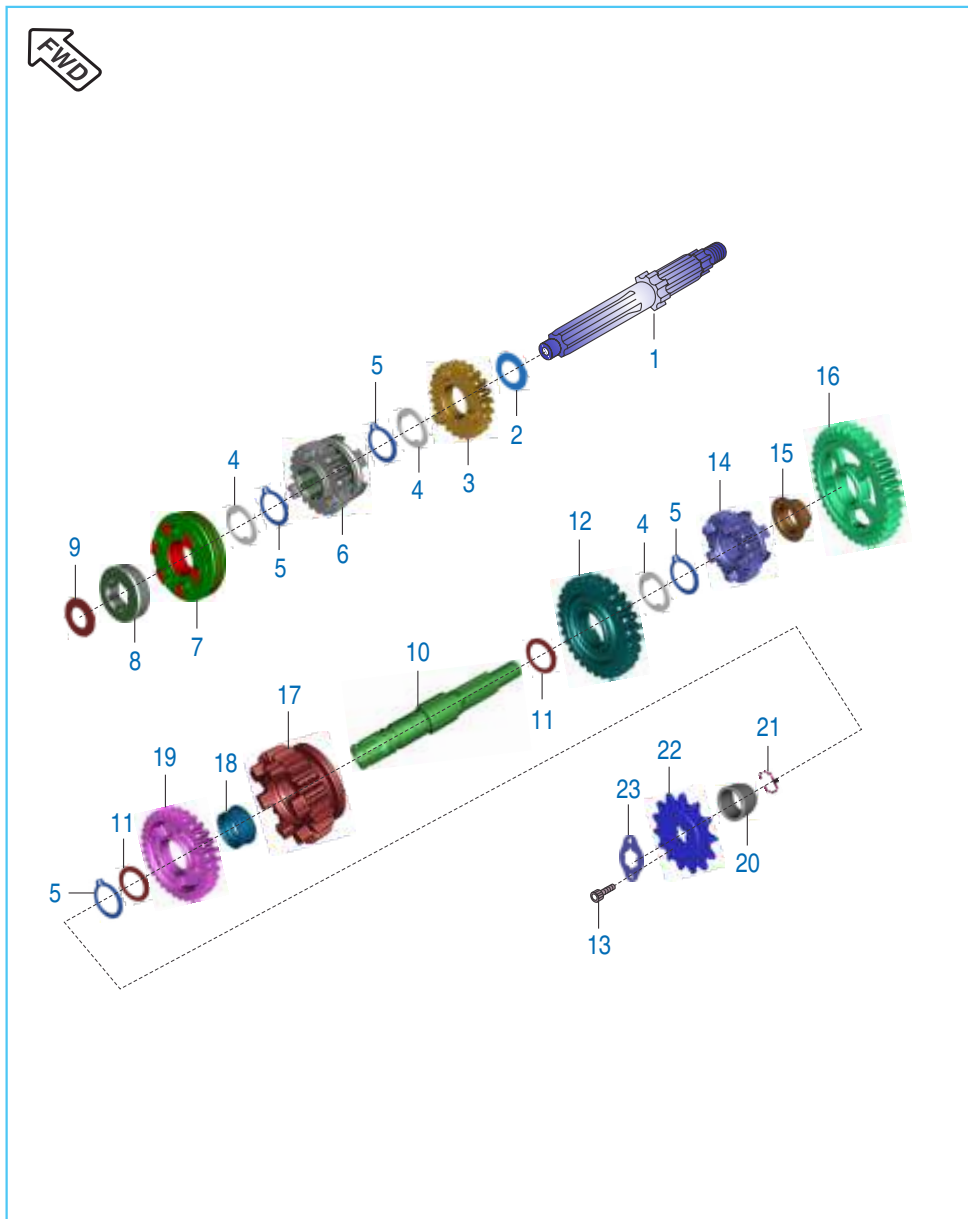
No.	Part No.	Description	Cruise	Street	Remarks
			Qty.	Qty.	
1	DK 1010 65	Crankshaft assly. comp.	1	1	
2	39 2183 04	Bolt	1	1	
3	39 2165 11	Plain washer	1	1	
4	31 1011 73	Key woodruff	1	1	
5	DS 1011 54	Parallel key	1	1	
6	39 1931 20	Bearing Ball	2	2	
7	PD 5310 29	Sprocket cam drive (16 T)	1	1	
8	39 2203 07	Parallel pin	1	1	
9	36 DK00 38	Kit Gear Primary Drive & Driven	1	1	Refer Page No. 110
10	DH 1010 64	Body centrifugal oil filter	1	1	
11	DH 1011 95	Nut primery drive	1	1	
12	DH 1010 65	Cover centrifugal oil filter	1	1	
13	36 DK00 07	Kit centrifugal over screw oil filter	1	1	Refer Page No. 110

Balancer & Balancer Idler Gear



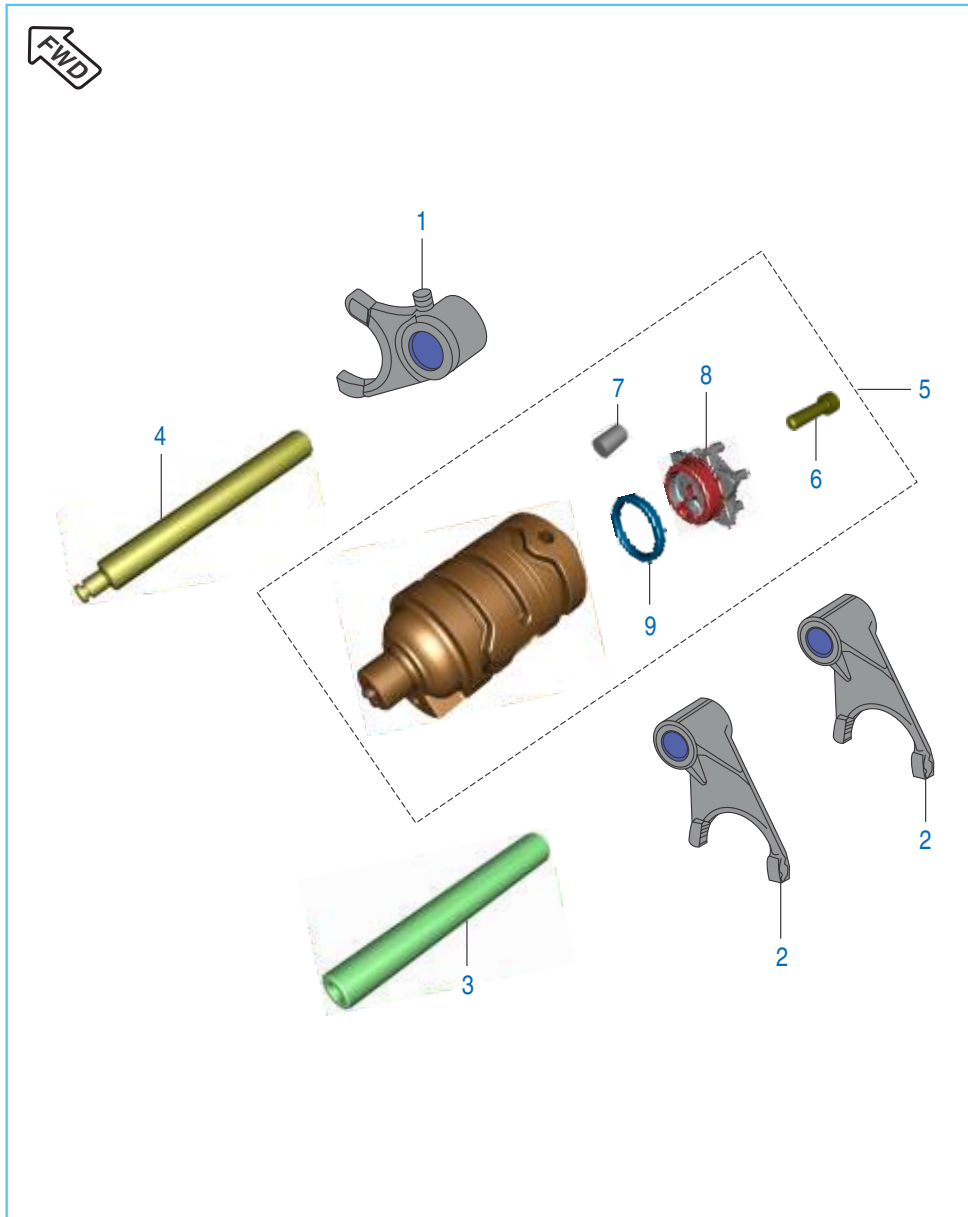
No.	Part No.	Description	Cruise	Street	Remarks
			Qty.	Qty.	
1	DK 1014 16	Body Balancer Assly.	1	1	
2	DH 1010 72	Bearing stopper	1	1	
3	DH 1013 85	Bolt stopper	1	1	
4	DJ 1011 34	Assly. Balancer Idler Gear comp.	1	1	
5	39 2152 20	Needle roller bearing	2	2	
6	DH 1014 24	Spring torsion Balancer	2	2	
7	39 2557 17	Circlip ext.	2	2	
8	39 1686 06	Dowel Pin	2	2	
9	39 1620 11	Spring steel washer	2	2	
10	52 DH01 77	Balancer Idler Holder	1	1	
11	39 1674 04	Hex bolt with flange	3	3	
12	59 2000 28	Bearing Balancer	1	1	

Transmission



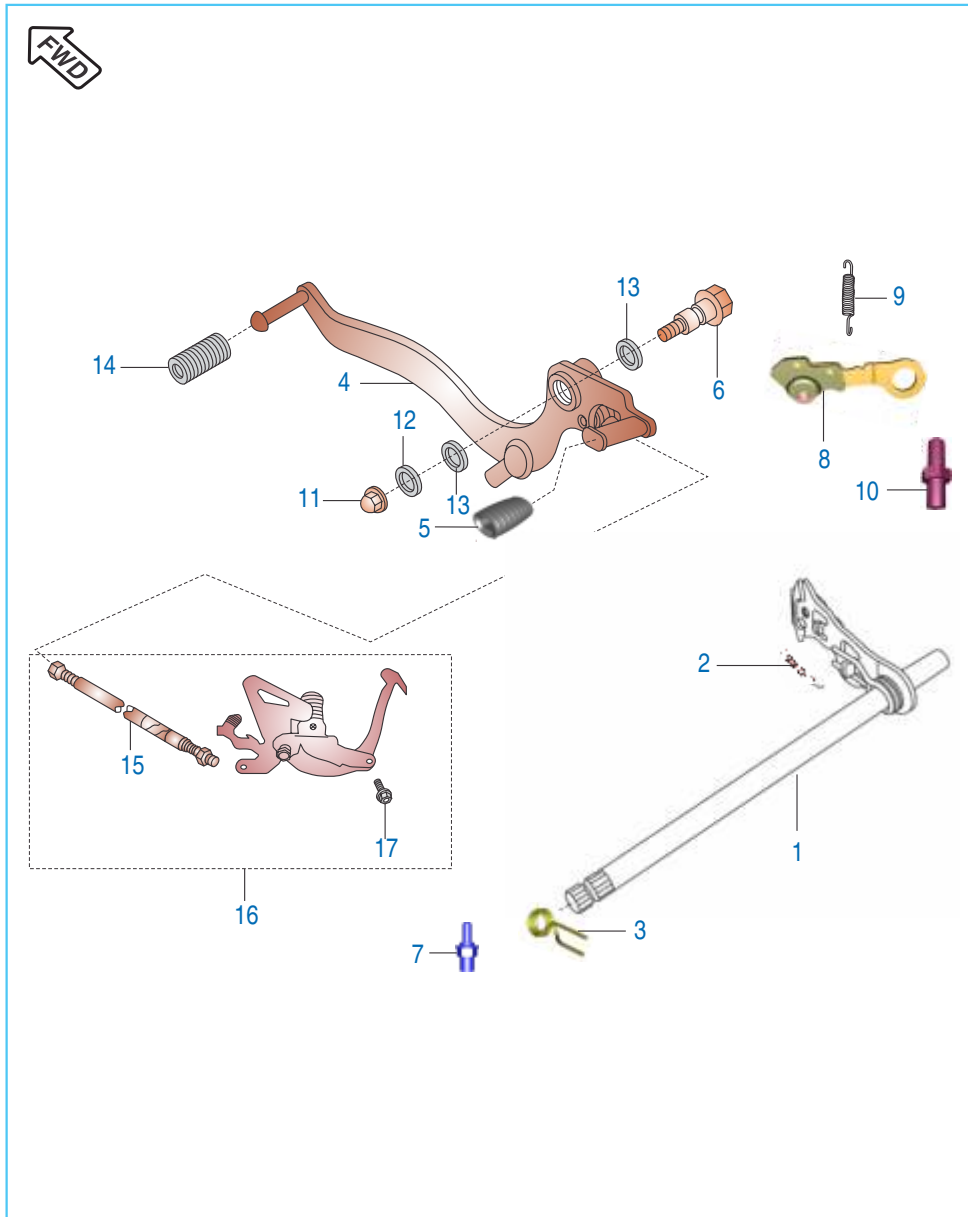
No.	Part No.	Description	Cruise	Street	Remarks
			Qty.	Qty.	
1	PD 5510 28	Shaft Input Trans Sub Assly	1	1	BS IV
	DK 1014 71	Shaft Input Trans Sub Assly	1	1	
2	39 2158 11	Washer plain	1	1	
3	DK 1011 03	Gear 4th Drive	1	1	
4	DH 1010 79	Washer Spline	3	3	
5	DH 1012 35	External Circlip	4	4	
6	DK 1011 02	Gear 3rd Drive	1	1	
7	DK 1016 32	Gear 5th drive	1	1	
8	DH 1010 84	Gear 2nd drive	1	1	
9	39 2160 11	Plain washer	1	1	
10	DK 1011 44	Shaft Output Trans Sub Assly	1	1	
11	39 2166 11	Washer Plain	2	2	
12	DK 1011 05	Gear 3rd Driven	1	1	
13	AA 1014 37	Screw Pre - Coated	2	2	
14	DK 1017 18	Gear 4th Driven	1	1	
15	DH 1011 11	Bush 1st driven	1	1	
16	DK 1017 17	Gear 1st driven	1	1	
17	DK 1017 20	Gear 5th Driven	1	1	
18	DH 1013 19	Bush 2nd driven	1	1	
19	DK 1017 19	Gear 2nd Driven	1	1	
20	DK 1012 45	Collar Sprocket	1	1	
21	DK 1013 52	'O' Ring Sprocket Coller	1	1	
22	DV 1010 48	Sprocket Drive	1	1	
23	DJ 1010 63	Plate Drive Sprocket	1	1	

Change Drum / Shift Fork



No.	Part No.	Description	Cruise	Street	Remarks
			Qty.	Qty.	
1	DK 1011 59	Fork Gear Shift Input	1	1	
2	DK 1011 60	Fork Gear Shift output	2	2	
3	DH 1011 46	Shaft Gear Shift Fork	1	1	
4	DH 1014 93	Shaft Gear Shift Fork	1	1	
5	DK 1013 82	Drum comp. Gear Shift	1	1	
	DK 1017 32	Drum comp. Gear Shift	1	1	BS IV
6	39 2639 04	Bolt Socket	1	1	
7	39 2606 07	Parallel pin	1	1	
8	DH 1021 89	Guide Gear Shift	1	1	
9	DH 1014 96	Spacer	1	1	

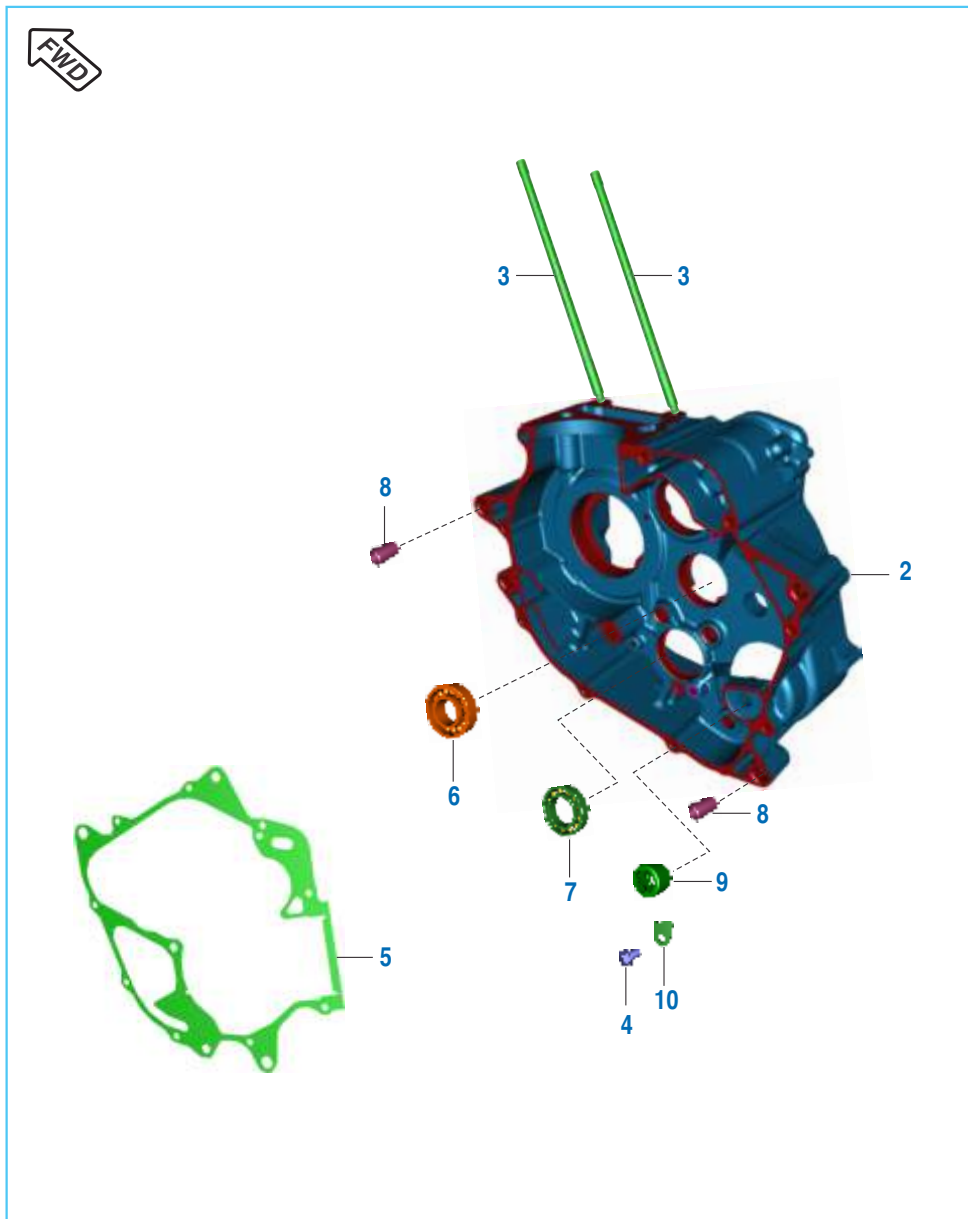
Gear Change Mechanism



No.	Part No.	Description	Cruise	Street	Remarks
			Qty.	Qty.	
1	PD 5510 01	Lever comp. Gear Shifter	1	1	
2	DH 1017 14	Spring Gear Shift	1	1	
3	DV 1010 44	Spring Gear Shifter return	1	1	
4	52 DV00 52	Lever comp. change	1	1	
5	DG 1013 39	Damper change pedal (Rear)	1	1	
6	DG 1011 87	Bolt Pivot lever	1	1	
7	DH 1013 93	Bolt Gear Shift drum Stopper	1	1	
8	DK 1017 25	Stopper Drum	1	1	
9	DV 1010 45	Spring gear shifter drum stopper	1	1	
10	DH 1013 94	Bolt shift change pre coated	1	1	
11	39 2228 15	Domed cap Nut	1	1	
12	39 2400 11	Washer	1	1	
13	39 1998 19	Oil Seal	2	2	
14	31 1011 08	Damper	1	1	
15	DV 1010 34	Rod assly. Tie	1	1	
16	52 DV00 51	Lever Assly. Change	1	1	
17	39 2354 04	Hex. Bolt / Flange	1	1	

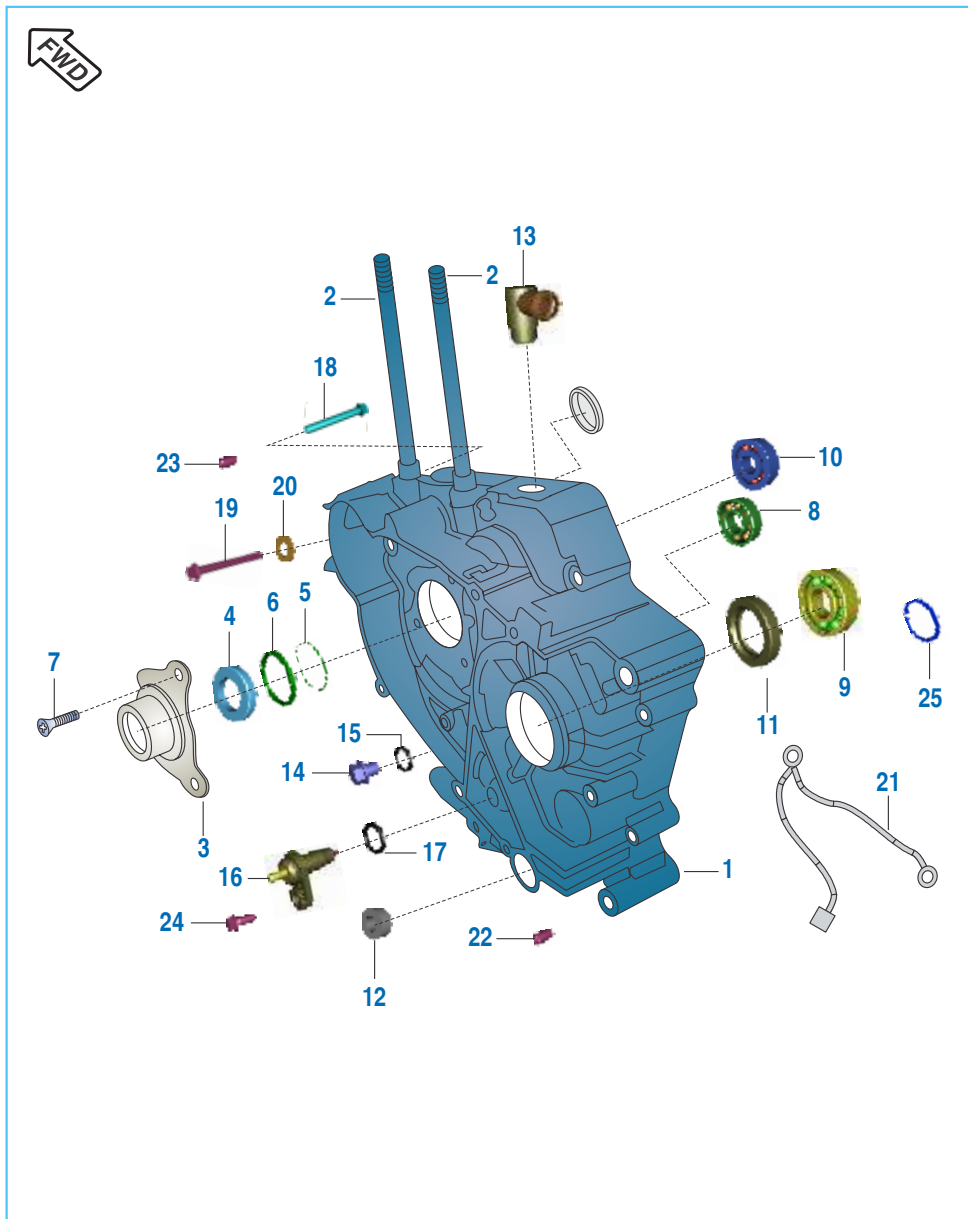


Engine Assembly & Crankcase RH



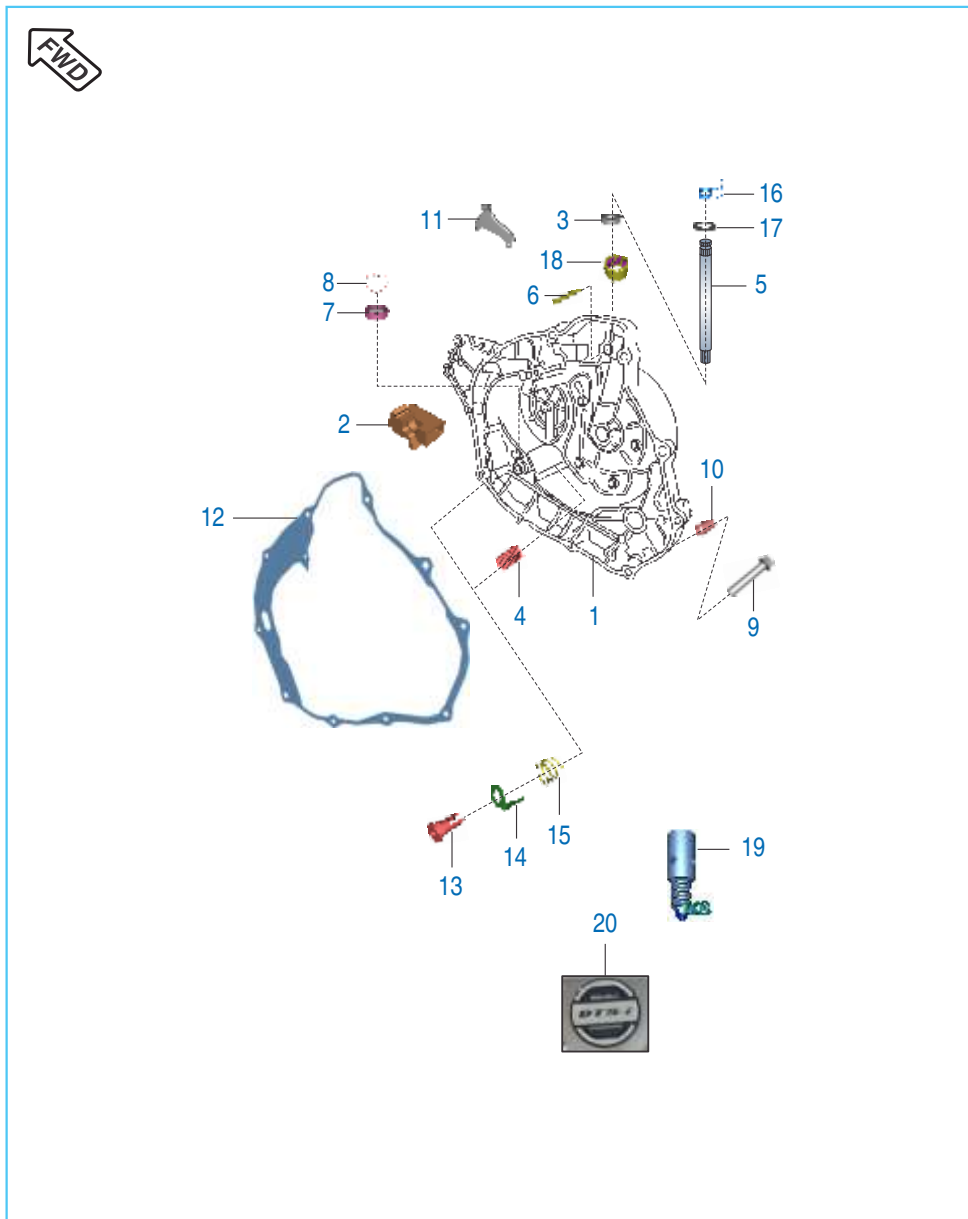
No.	Part No.	Description	Cruise	Street	Remarks
			Qty.	Qty.	
1	PD 5010 12	Engine Assly	1	--	
	PD 5010 14	Engine Assly	--	1	
	PD 5010 21	Engine Assly	1	--	BS IV
	PD 5010 25	Engine Assly	--	1	BS IV
2	36 PD00 14	Kit Assly Crankcase RH	1	1	Refer Page No. 109
3	59 0500 02	Stud	2	2	
4	AA 1014 37	Screw Pre - Coated	1	1	
5	DH 1018 96	Gasket Crankcase	1	1	
6	39 2583 20	Bearing Ball (For Input shaft)	1	1	
7	39 2601 20	Bearing Ball (For Output shaft)	1	1	
8	39 2180 06	Dowel Pin	2	2	
9	59 2000 27	NRB (Bearing NRB)	1	1	
10	DH 1014 87	Plate Stopper	1	1	

Crankcase LH

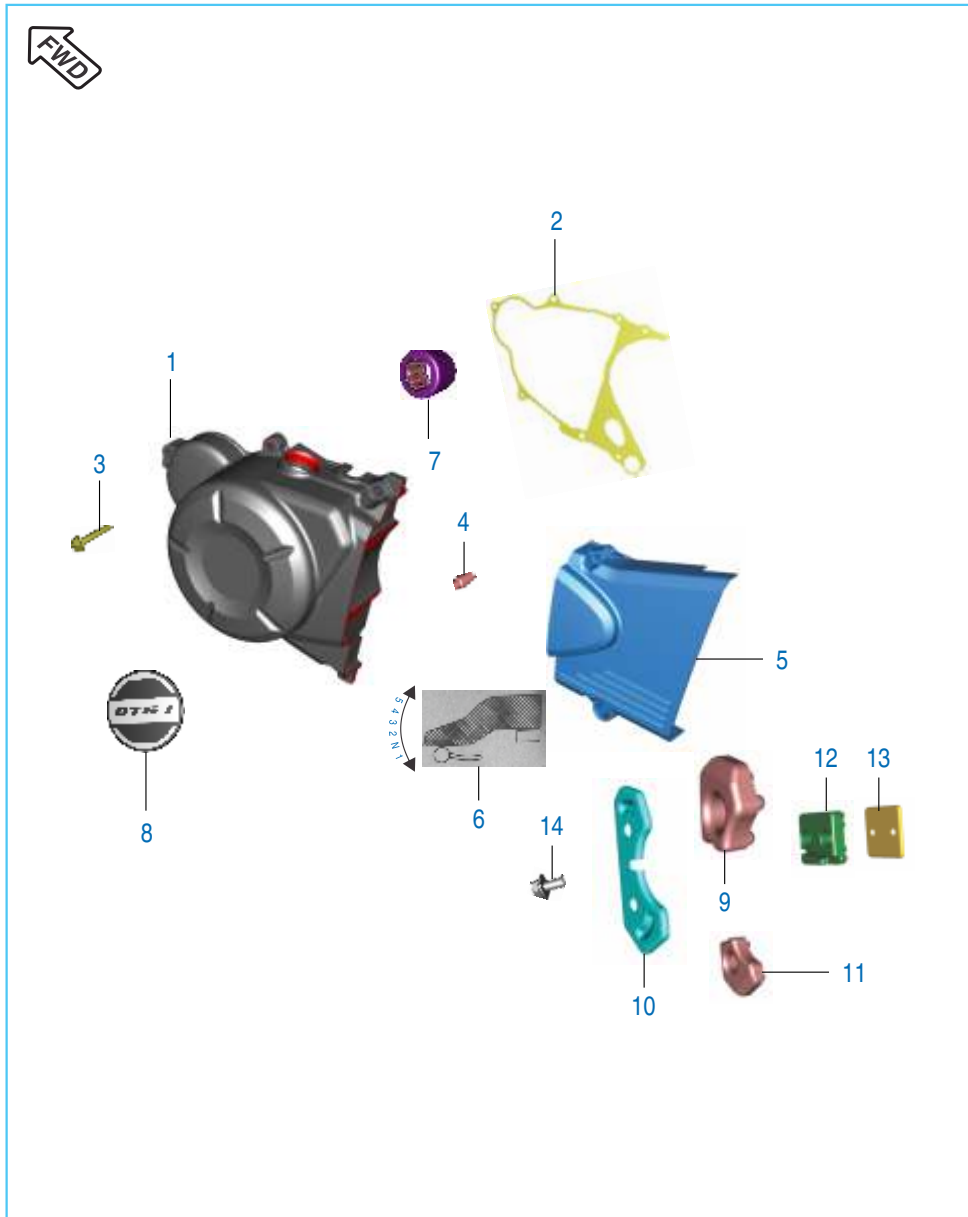


No.	Part No.	Description	Cruise	Street	Remarks
			Qty.	Qty.	
1	36 PD00 13	Kit Assly Crankcase LH	1	1	Refer Page No. 109
2	59 0500 02	Stud	2	2	
3	DK 1010 94	Guide starter assly	1	1	
4	39 2188 19	Oil Seal	1	1	
5	59 2100 06	'O' Ring	1	1	
6	DK 1010 97	Damper	1	1	
7	39 0752 01	C' Sunk Head Screw	3	3	
8	39 2603 20	Bearing Ball (For Input shaft)	1	1	
9	59 2000 06	Bearing Ball (For Output shaft)	1	1	
10	39 2185 20	Balancer LH Bearing	1	1	
11	30 1010 14	Oil Seal (For Output shaft)	1	1	
12	39 2190 19	Oil Seal (For Shift lever)	1	1	
13	DH 1012 03	Breather pipe fitting	1	1	
14	DH 1016 61	Plug (Drain Bolt)	1	1	
15	31 1011 06	Washer (Gasket For Drain Bolt)	1	1	
16	DK 1013 80	Switch comp. (Neutral)	1	1	
17	KJ AB10 19	'O' ring neutral switch	1	1	
18	39 1677 04	Bolt	8	8	
19	39 2305 04	Bolt	1	1	
20	39 2448 11	Plain Washer	1	1	
21	DJ 2010 21	Cable assly. (Battery to Earth)	1	1	
22	39 2180 06	Hallow dowel pin	2	2	
23	39 2181 06	Hallow dowel pin	2	2	
24	DH 1013 85	Bolt M6X16 (Neutral Switch)	1	1	

Cover Clutch



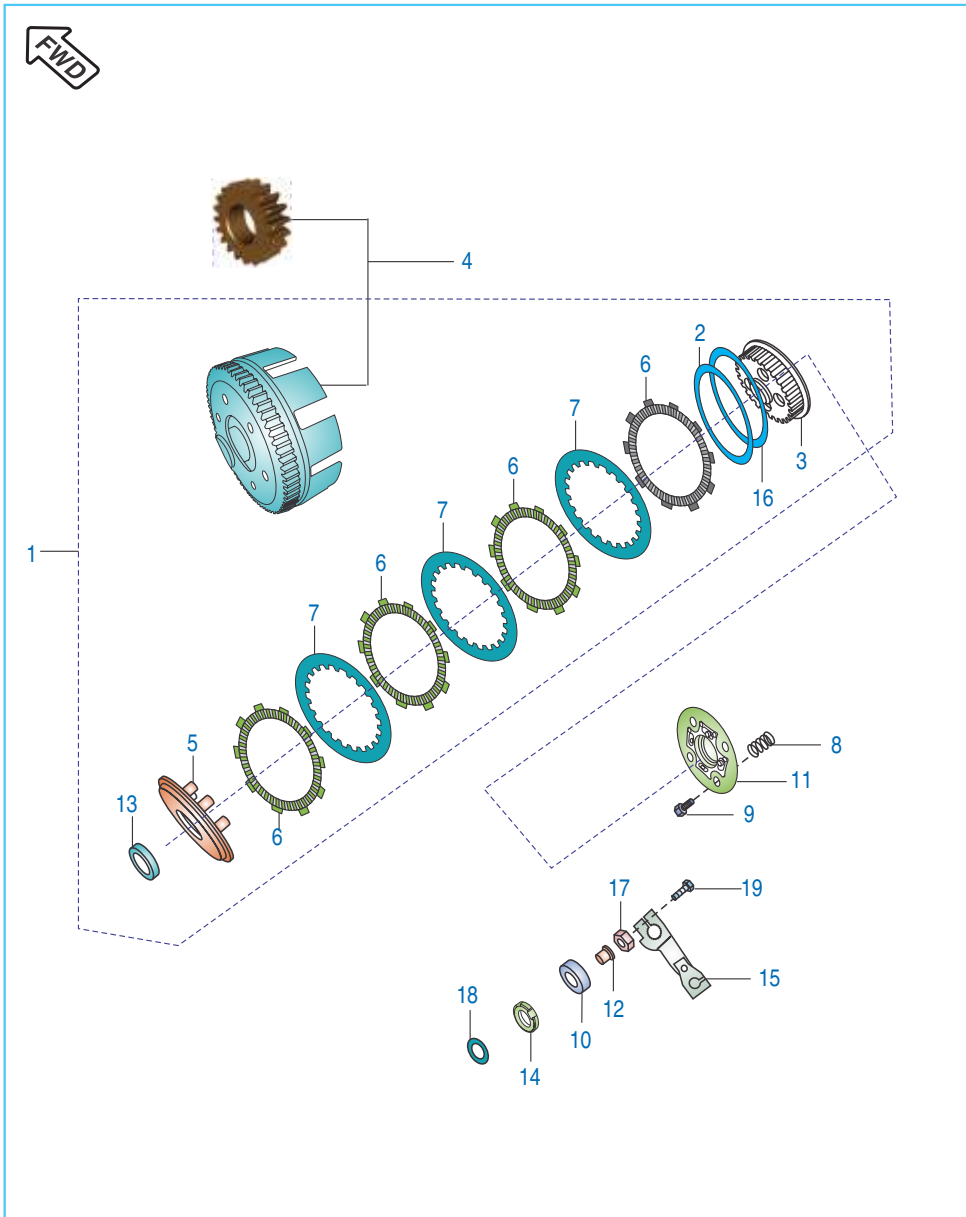
No.	Part No.	Description	Cruise	Street	Remarks
			Qty.	Qty.	
1	52 DK02 04	Cover RH Assly Moonlight F & S	1	--	Refer Page No. 111
	36 DK00 64	Kit Assly CI Cover	--	1	
2	DH 1011 97	Grommet Breather	1	1	
3	39 1041 19	Oil Seal	1	1	
4	DH 1011 41	Rack	1	1	
5	DH 1011 42	Shaft clutch release	1	1	
6	DK 1012 51	Parallel pin	1	1	
7	DG 1014 18	Gauge	1	1	
8	DS 1012 15	Wire circlip	1	1	
9	DS 1013 53	Bolt	10	10	
10	39 0999 06	Pin Dowel	2	2	
11	DH 1010 18	Bracket Clutch Cable	1	1	
12	DH 1011 54	Gasket cover RH	1	1	
13	DK 1014 80	Plunger Oil	1	1	
14	DH 1210 11	Plate Plunger Oil	1	1	
15	DH 1210 12	Spring Joint 'A'	1	1	
16	DH 1015 44	Spring torsion clutch lever	1	1	
17	39 2443 11	Washer	1	1	
18	39 1990 20	NRB (Bearing Needle)	2	2	
19	AA 1018 83	Pressure relief valve assly.	1	1	
20	DK 1017 38	Decal Clutch Cover	1	1	



Cover Magneto

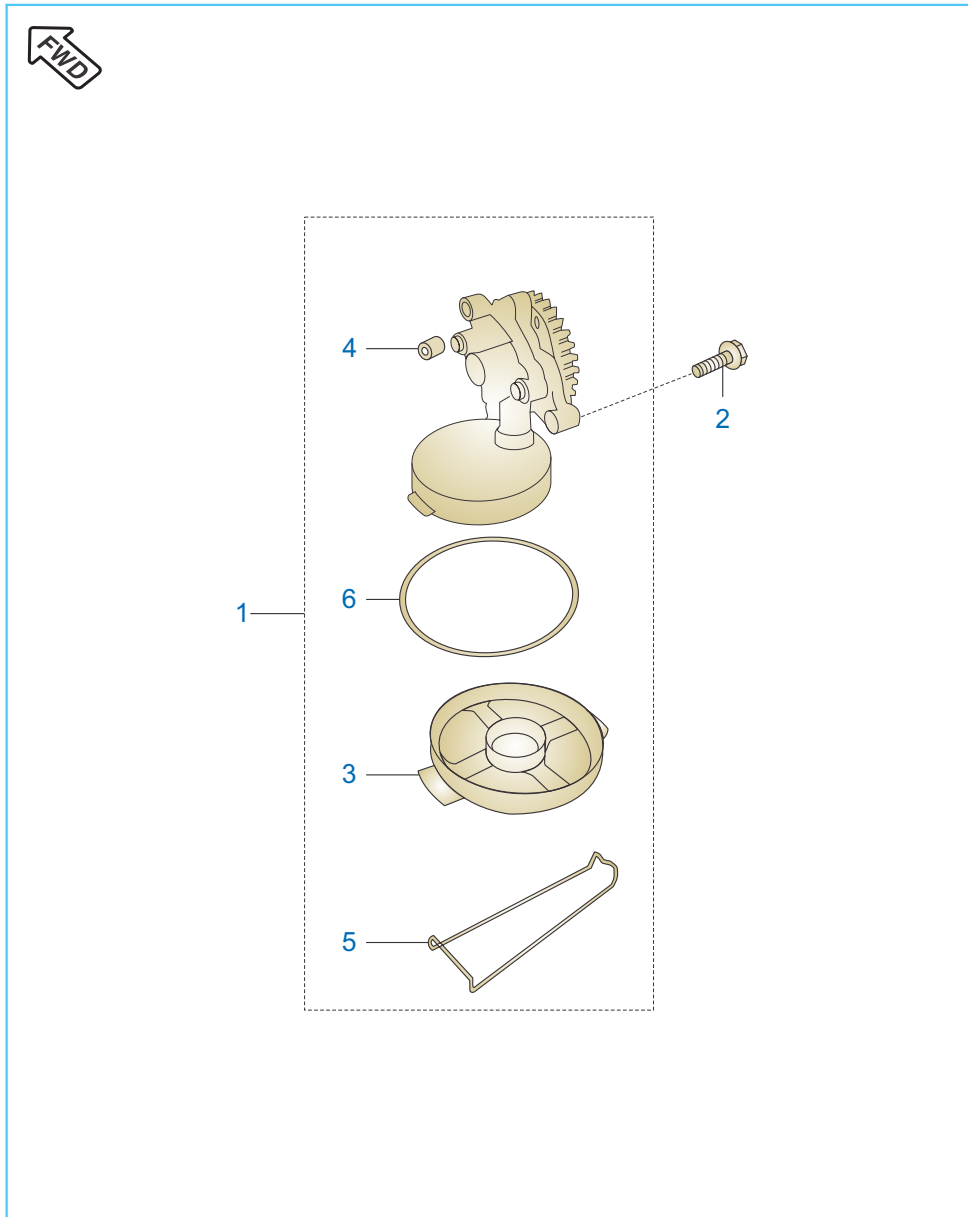
No.	Part No.	Description	Cruise	Street	Remarks
			Qty.	Qty.	
1	52 DK02 03	Cover Magneto	1	--	Refer Page No.109
	PD 5412 25	Assly Cover Magneto	--	1	
2	DV 1010 42	Gasket Magneto cover	1	1	
3	39 1677 04	Bolt	8	8	
4	39 0999 06	Pin Dowel	2	2	
5	52 PD00 90	Assly Cover LH RR	1	--	
	52 PD01 09	Assly Cover LH RR	--	1	
6	DJ 1610 12	Gear Shift Label	1	--	
	DJ 1612 28	Gear Shift Label	--	1	
7	AP 1010 43	NR bearing (Bearing-Needle)	1	1	
8	JE 5412 12	Decal Magneto Cover	1	1	
9	DH 1012 92	Damper A Cover LH RR	1	1	
10	DH 1012 93	Plate Damper A Cover LH RR	1	1	
11	DH 1012 94	Damper B Cover LH RR	1	1	
12	JM 1000 40	Damper C Cover LH RR	1	1	
13	JM 1000 41	Plate Damper Cover LH RR	1	1	
14	DH 1013 88	Bolt	4	4	

Clutch Assembly



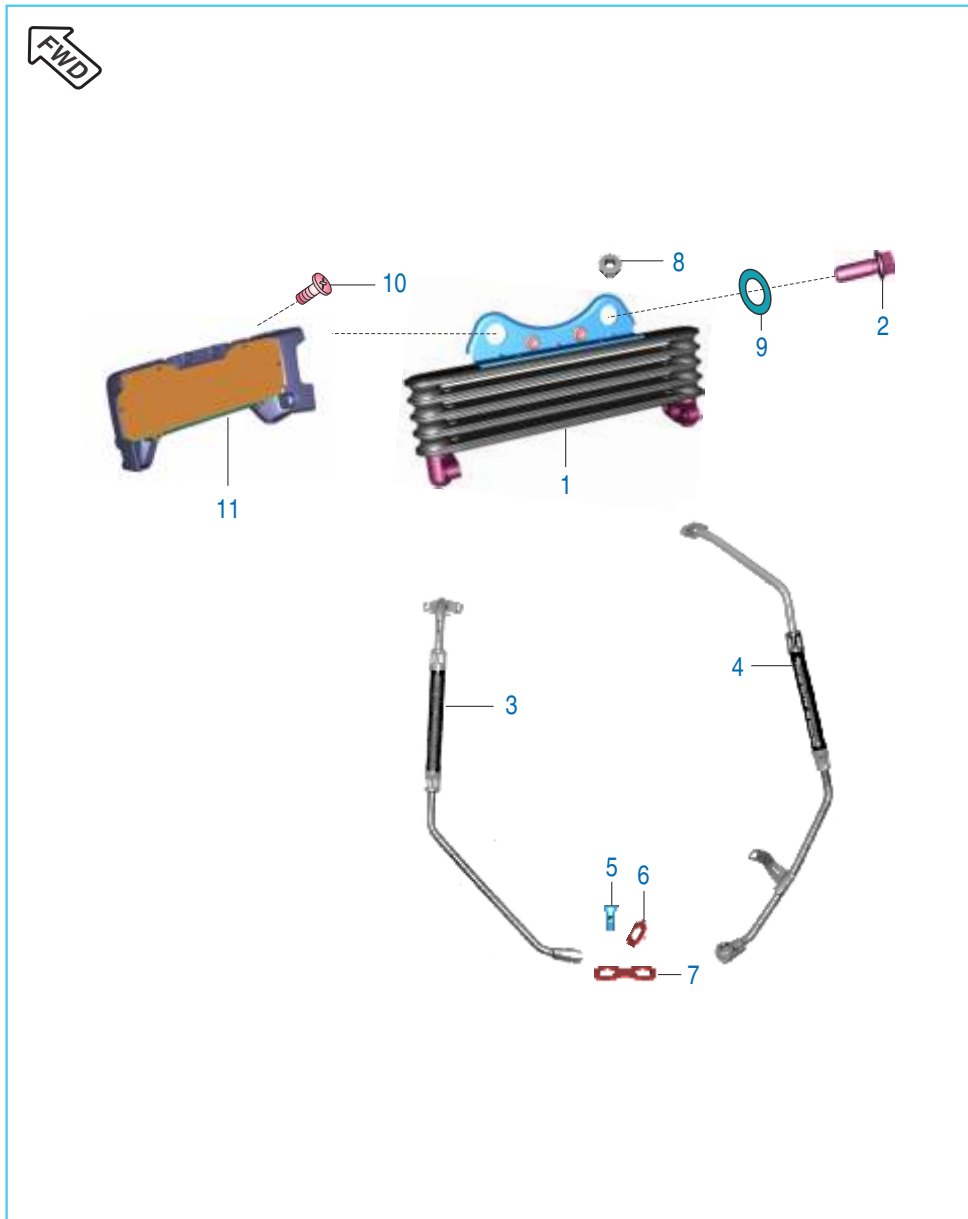
No.	Part No.	Description	Cruise	Street	Remarks
			Qty.	Qty.	
1	PD 5514 18	Clutch assembly comp.	1	1	
2	DK 1015 71	Spring Judder	1	1	
3	PD 5514 21	Clutch Center	1	1	
4	36 DK00 38	Kit Gear Primary Drive & Driven	1	1	Refer Page No. 110
5	DK 1015 69	Plate Clutch pressure	1	1	
6	36 PD00 30	Friction Plate Kit	1	1	Refer Page No. 111
7	DK 1015 65	Plate Clutch	4	4	
8	PD 5514 20	Spring Clutch	5	5	
9	DK 1015 74	Bolt	5	5	
10	DK 1016 62	Bearing Clutch lifter thrust	1	1	
11	DK 1015 73	Holder Clutch (Plate Clutch Lifter)	1	1	
12	DH 1011 41	Rack Clutch Push	1	1	
13	DK 1011 26	Spacer Clutch	1	1	
14	DH 1016 48	Nut Primary drive lock	1	1	LH Thread
15	DK 1016 36	Lever Assly. Clutch	1	1	
16	DK 1015 70	Seat Judder Spring	1	1	
17	DH 1012 75	Nut	1	1	
18	39 2200 11	Washer	1	1	
19	39 1674 04	Bolt	1	1	

Oil Pump



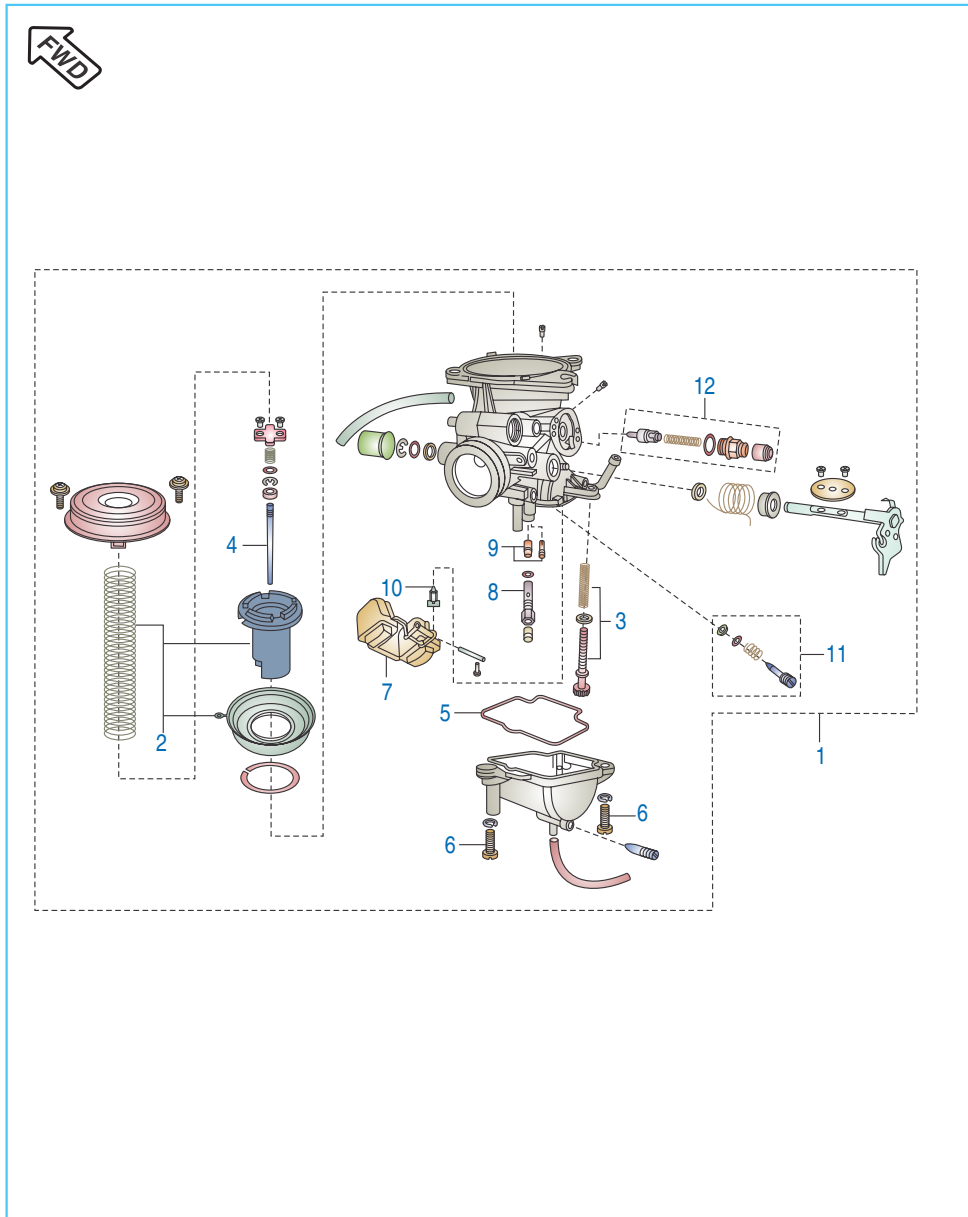
No.	Part No.	Description	Cruise	Street	Remarks
			Qty.	Qty.	
1	52 DH01 69	Oil Pump Assly	1	1	Refer Page No. 111
2	39 1674 04	Hex. Bolt with flange	3	3	
3	DH 1210 10	Mesh filter Oil pump	1	1	
4	39 1686 06	Hollow dowel pin	1	1	
5	DH 1210 35	Clip Mesh Oil filter	1	1	
6	39 2194 21	'O' Ring	1	1	

Oil Cooler Assembly



No.	Part No.	Description	Cruise	Street	Remarks
			Qty.	Qty.	
1	PD 5712 09	Oil cooler assembly	1	1	
2	39 2310 04	Flanged Bolt	1	1	
3	PD 5712 01	Pipe inlet oil cooler	1	1	
4	PD 5712 03	Pipe outlet oil cooler	1	1	
5	DK 1013 66	Banjo bolt	2	2	
6	DK 1012 37	Gasket Banjo bolt (Washer)	4	4	
7	DK 1012 79	Washer Oil Cooler	1	1	
8	DK 1610 81	Rubber	2	2	
9	39 1507 11	Washer Plain	1	1	
10	KA DG05 20	Hexagon Head Screw	2	2	
11	PD 5712 08	Oil cooler Shroud with mesh	1	--	
	PD 5712 11	Oil cooler Shroud with mesh	--	1	
12	KB AA04 10	Screw	2	2	N.i.
13	LA E000 35	Bolt Small Flanged	2	2	N.i.
14	JM 1610 20	Collar Oil Cooler Mtg	2	2	

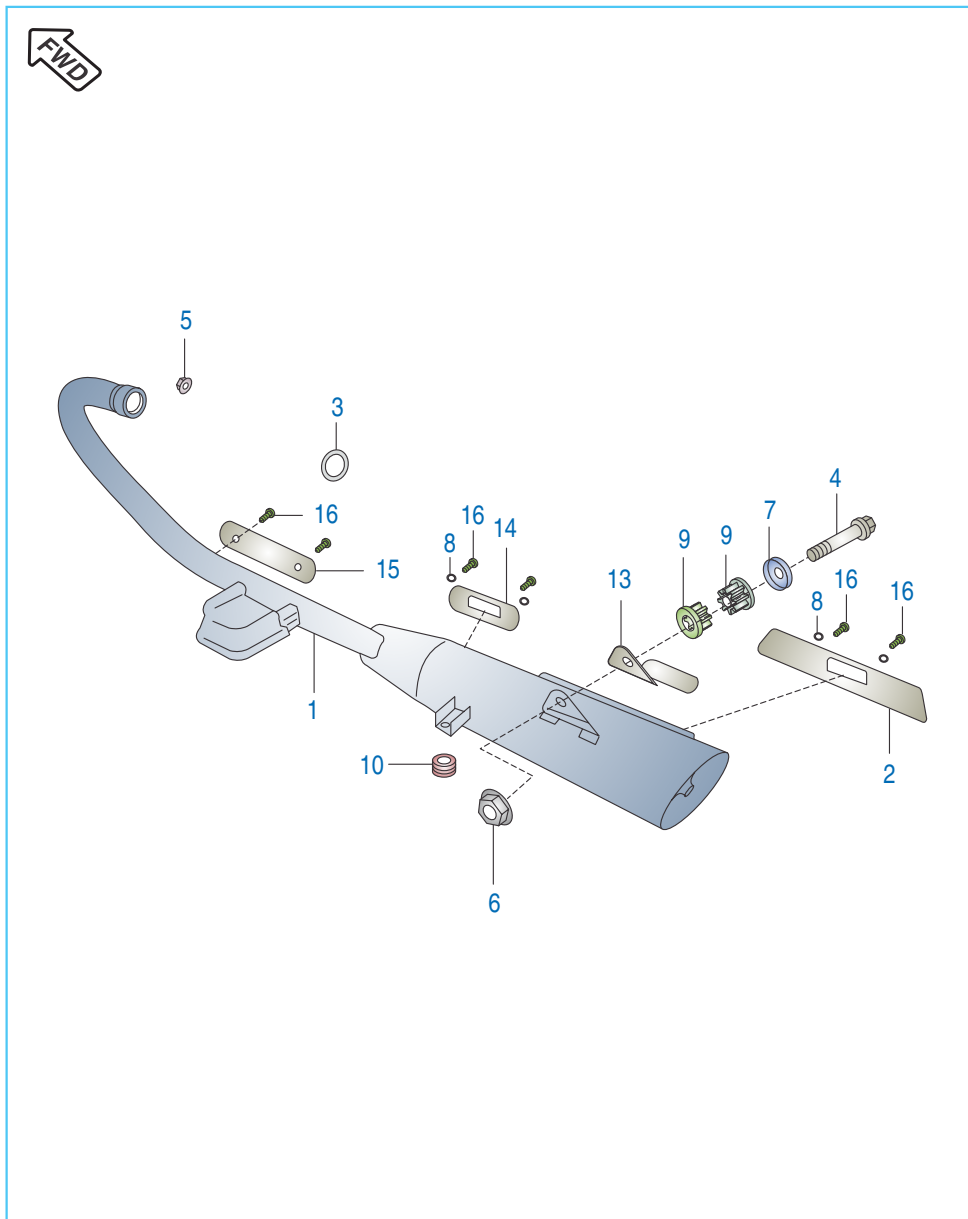
Carburettor



No.	Part No.	Description	Cruise	Street	Remarks
			Qty.	Qty.	
1	PD 5812 14	Carburettor Assly.	1	1	BS IV
	PD 5812 16	Carburettor Assly.	1	1	
2	36 PD00 32	Vacuum Piston Kit	1	1	
3	PD 5812 03	Idling Screw Kit	1	1	
4	PD 5812 05	Jet needle(JN)	1	1	
5	PD 5812 04	Float bowl "O" ring	1	1	
6	PD 5812 06	Float bowl Screw	2	2	
7	PD 5812 07	Float Assly.	1	1	
8	PD 5812 08	Jet Holder	1	1	
9	36 PD00 31	Jet kit	1	1	
10	PD 5812 11	Needle Assly.	1	1	
11	PD 5812 12	Set Adjuster (PS)	1	1	
12	DJ 1210 59	Set Plunger Assly.	1	1	

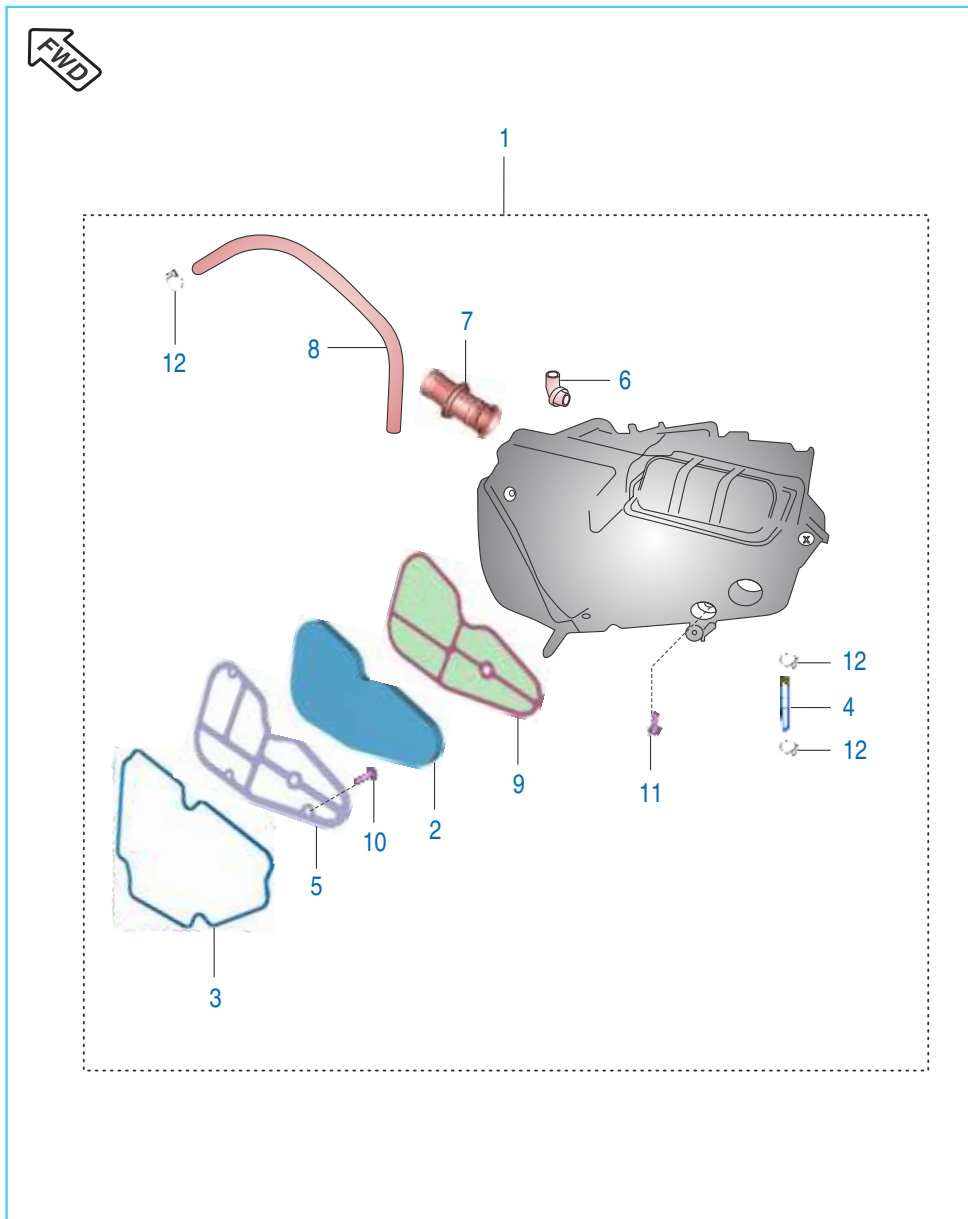


Silencer Assembly



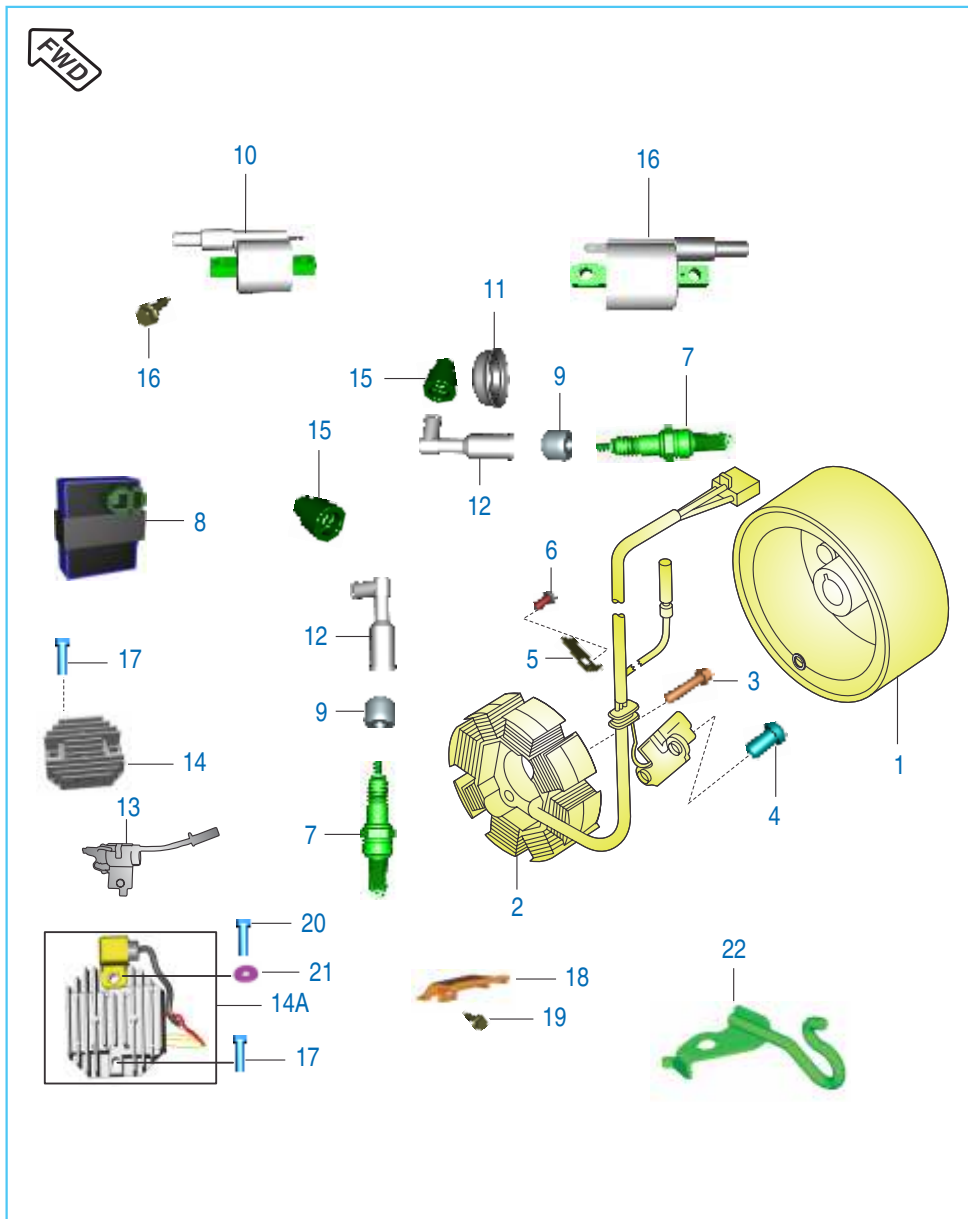
No.	Part No.	Description	Cruise	Street	Remarks
			Qty.	Qty.	
1	YP D010 11	Silencer without Shields	1	--	
	YP D030 02	Silencer without Shields	--	1	
2	PD 5910 37	Shield Exhaust Rear	1	--	
	JM 1010 27	Shield Exhaust Rear	--	1	
3	DG 1014 17	Gasket Exhaust	1	1	
4	DG 1012 85	Bolt	1	1	
5	39 2228 15	Domed cap Nut	2	2	
6	39 1225 15	Nut flanged	1	1	
7	DG 1012 49	Washer	1	1	
8	PD 5911 00	Washer Shield	4	4	Shield Mounting
9	DG 1014 19	Bushing Rubber	2	2	
10	DG 1611 24	Damper	1	1	
11	39 2492 11	Plain Washer	1	1	Exhaust chamber
12	39 2754 04	Bolt	1	1	Exhaust chamber
13	DG 2210 38	Guard Muffler	1	1	
	PD 2312 04	Guard Muffler	--	1	BS IV
14	PD 5910 35	Shield Exhaust Front	1	--	
	JM 1010 22	Shield Exhaust Front	--	1	
15	PD 5910 36	Shield Exhaust Rider	1	--	
	PD 5910 23	Shield Exhaust Rider	--	1	
16	PD 5911 01	Truss Screw	6	6	Shield Mounting

Air Cleaner



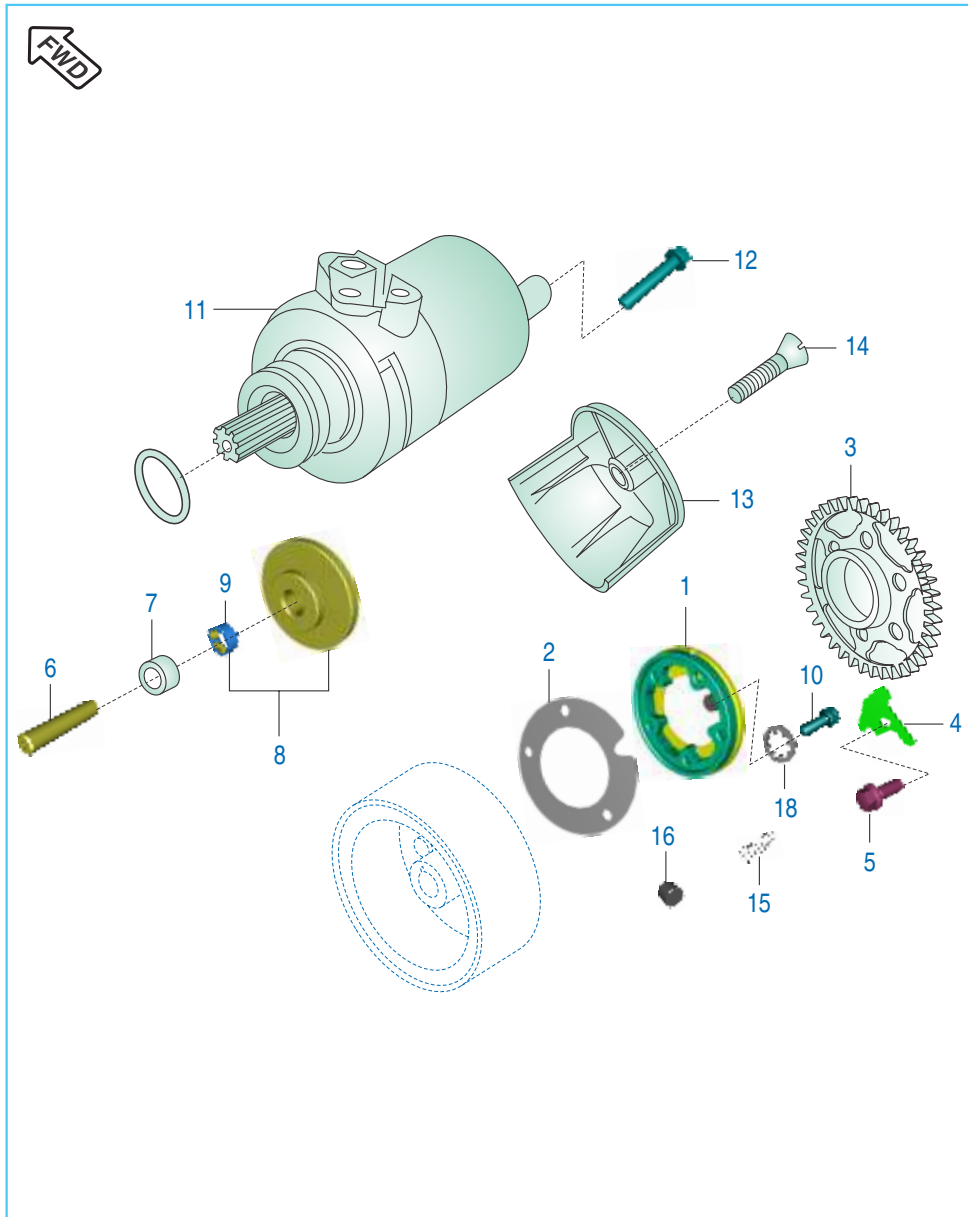
No.	Part No.	Description	Cruise	Street	Remarks
			Qty.	Qty.	
1	PD 5810 03	Air Filter Assly.	1	1	BS IV
	PD 5810 30	Air Filter Assly.	1	1	
2	DG 1210 10	Element Air filter	1	1	
3	DG 1210 12	Gasket Air filter	1	1	
4	dg 1210 20	Tube Drain Air Filter	1	1	
5	DG 1210 14	Plate Element	1	1	
6	PD 5810 09	Breather Tube Assly	1	1	
7	PD 5810 01	Connecting tube	1	1	
8	DG 1210 20	Tube Drain Assly	1	1	
9	DG 1210 23	Flame Arrester	1	1	
10	39 2044 01	Screw	5	5	
11	39 2044 01	Screw	5	5	
12	JK 5110 02	Clamp	1	1	
13	DG 1210 02	Clamp	1	1	
14	DS 1210 26	Plug	1	1	

Magneto, CDI, Spark Plug & H.T. Coil



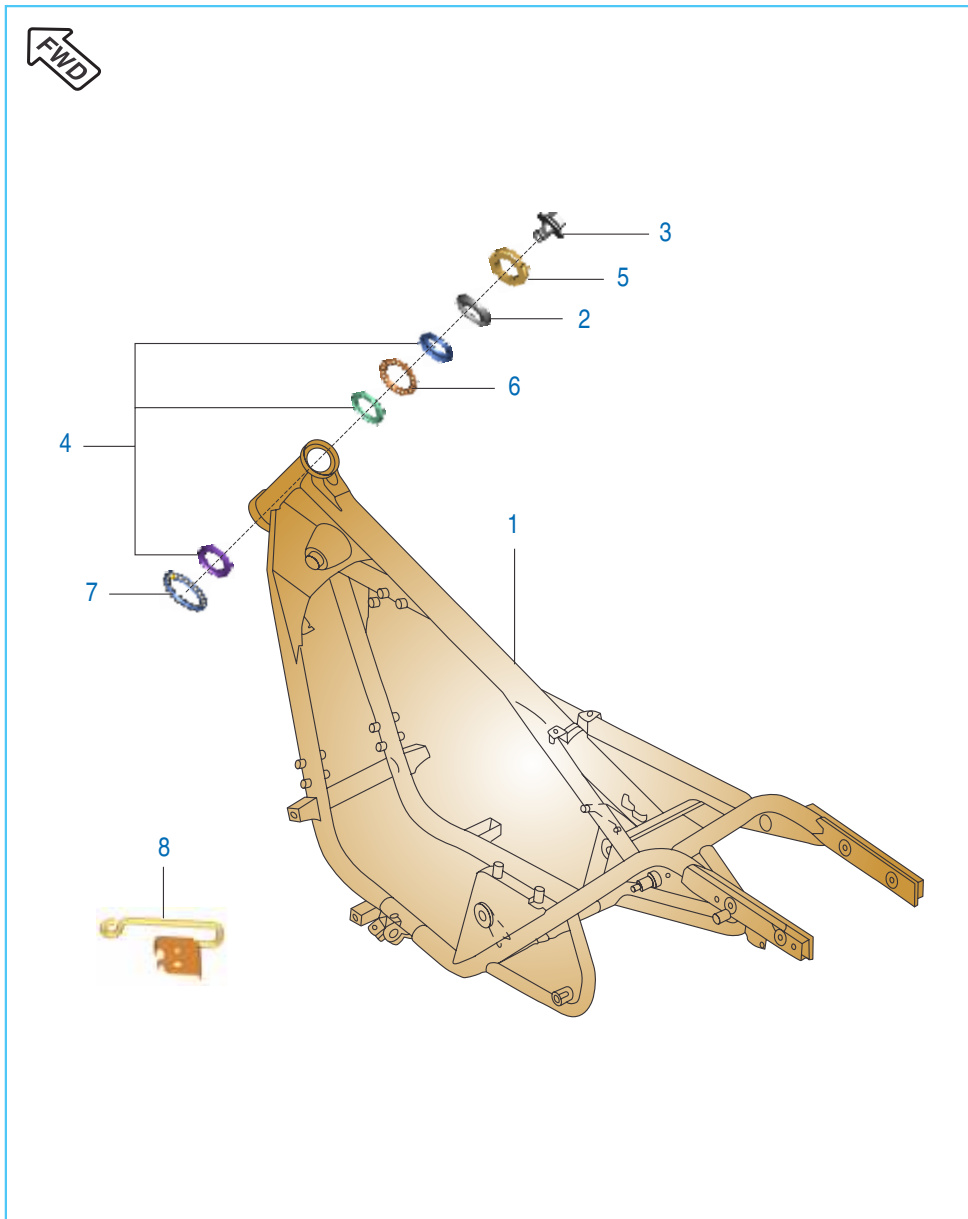
No.	Part No.	Description	Cruise	Street	Remarks
			Qty.	Qty.	
1	JC 1110 28	Rotor	1	1	
2	PD 3510 02	Stator Assly. comp	1	1	
3	DK 1012 84	Hex. Bolt with Flange	3	3	
4	DH 1013 81	Pan Head Screw	2	2	
5	DH 1011 99	Stopper plate (wiring harness)	1	1	
6	DH 1013 80	Screw Pan head	1	1	
7	DK 1110 28	Spark plug	2	2	
8	PD 3512 13	C.D.I Assly. / Damper	1	1	
9	DH 1110 13	Grommet Spark Plug cap	2	2	
10	PD 3512 20	H.T. Coil With Cable LH	1	1	
	PD 3512 35	H.T. Coil LH	1	1	BS IV
11	DH 1110 16	Grommet Sleeve Spark Plug	1	1	
12	AP 1110 12	Cap Spark Plug	2	2	
13	PD 4020 02	Capacitor with bracket	1	1	
14	PD 4020 04	Regulator Voltage	1	1	
14A	PD 4020 05	Regulator Dc 3 Phase	1	1	BS IV
15	DD 1110 12	Grommet H.T. Cable	2	2	
16	PD 3512 22	H.T. Coil With Cable RH	1	1	
	PD 3512 37	H.T. Coil RH	1	1	BS IV
17	39 19500 4	Bolt	2	2	
18	PD 1138 07	Cover Regulator	1	1	BS IV
19	KA EA06 10	Bolt	1	1	
20	KA DD06 30	Bolt	1	1	
21	39 0711 11	Plain Washer	1	1	
22	PD 5111 29	Bracket HT Cable	1	1	BS IV

Starter Motor & Starter Assembly



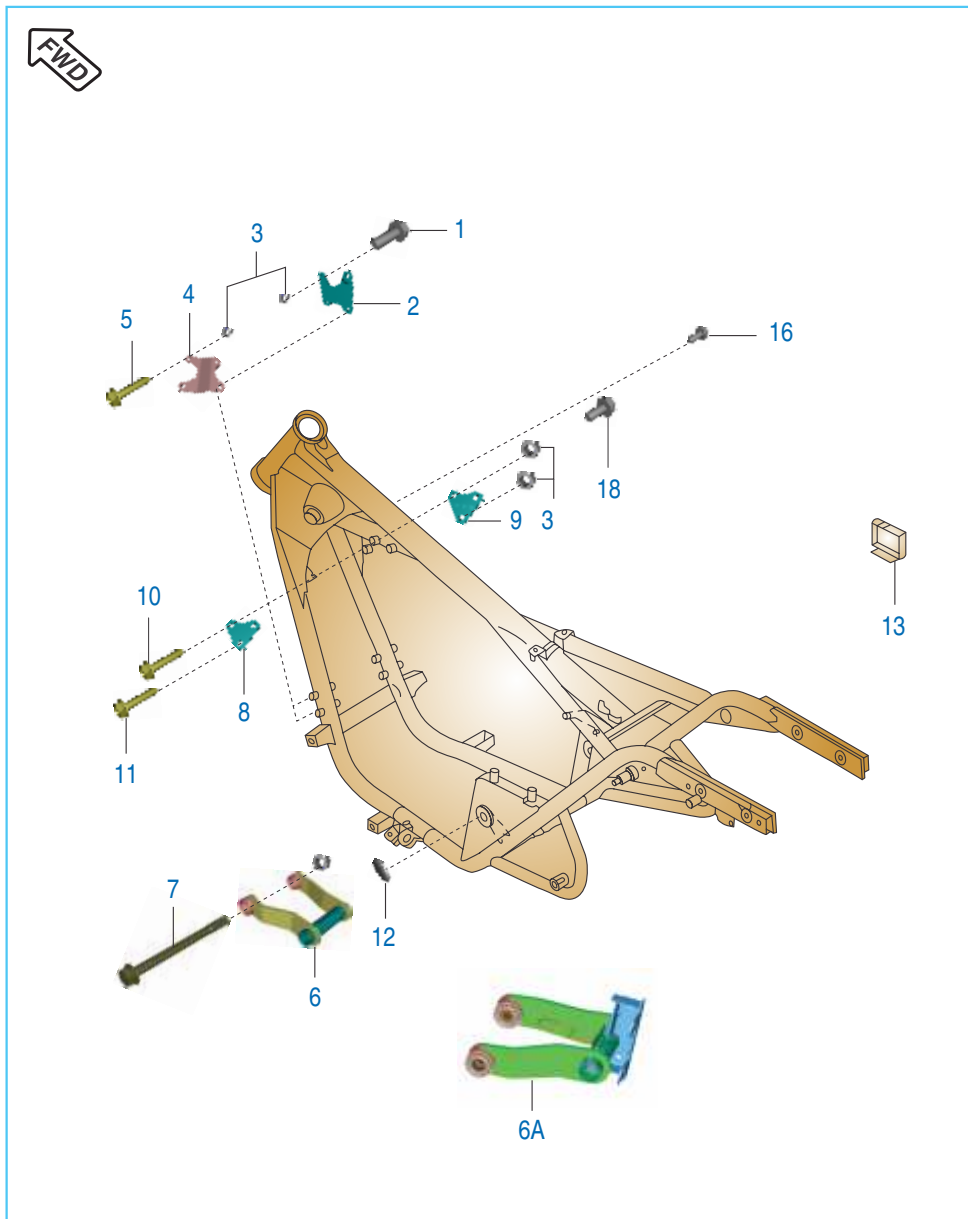
No.	Part No.	Description	Cruise	Street	Remarks
			Qty.	Qty.	
1	36 DK00 76	Body comp. starter clutch	1	1	Refer Page No. 111
2	DK 1016 05	Plate roller clutch	1	1	
3	JC 1011 14	Gear starter clutch	1	1	
4	DH 1015 81	Plate starter clutch gear return	1	1	Stopper plate
5	DH 1013 85	Bolt	1	1	For stopper plate
6	DK 1011 76	Shaft starter counter	1	1	
7	DH 1011 72	Collar starter counter	1	1	
8	JC 1011 15	Gear comp. starter counter assly.	1	1	
9	59 2000 07	Needle roller bearing	1	1	
10	39 0972 04	Bolt Socket M6	3	3	
11	JC 1110 07	Starter Motor	1	1	
12	DS 1013 53	Bolt	2	2	
13	DK 1017 70	Cover starter motor	1	1	
14	39 2285 01	Slotted c'sunk screw	1	1	
15	36 DK00 77	Kit Spring comp st. clutch	1	1	Refer Page No. 111
16	DH 1011 63	Roller	5	5	
17	36 DK00 45	Molicoat grease	1	1	N.I.
18	39 0849 14	Star Washer	3	3	

Frame & Frame Fittings



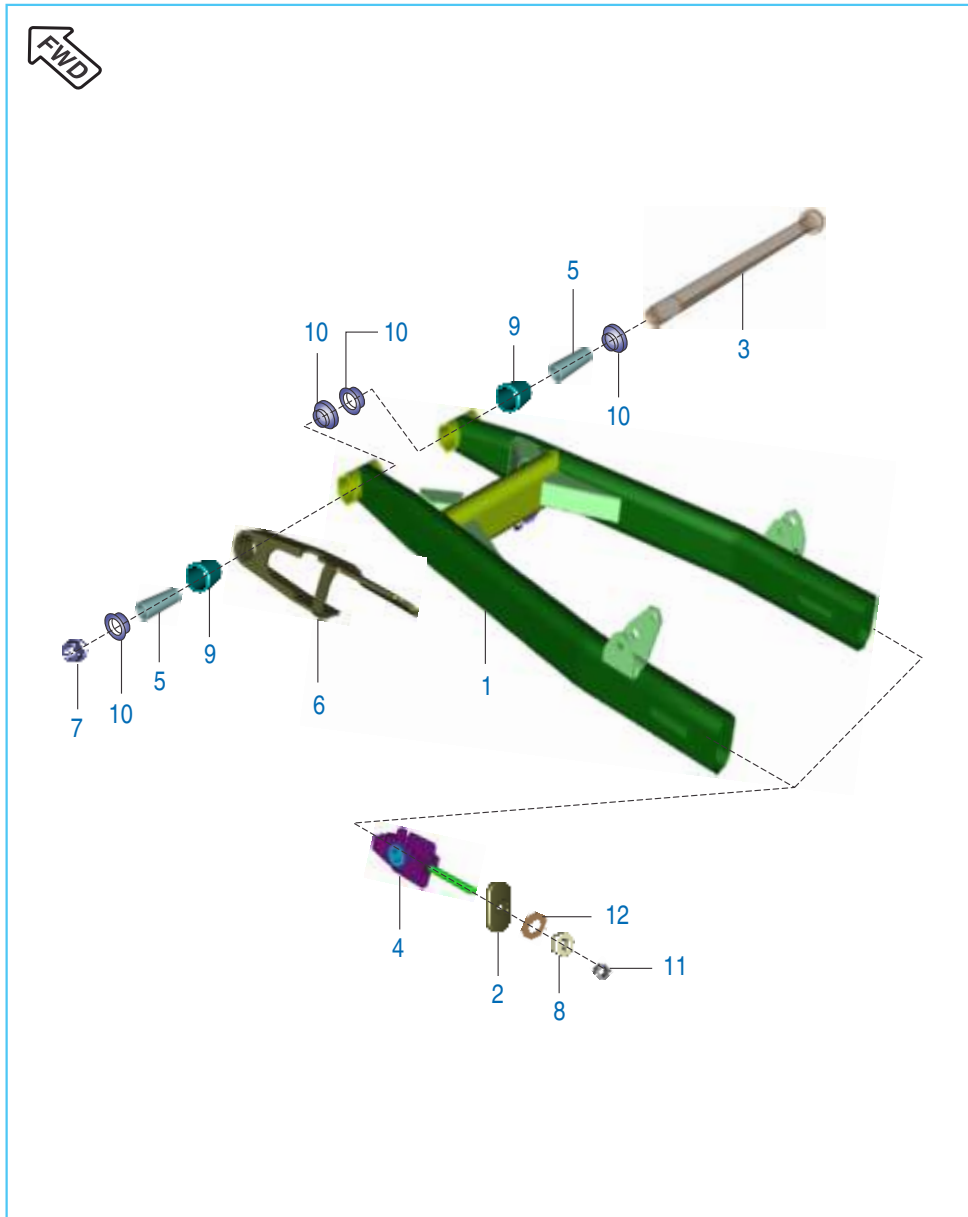
No.	Part No.	Description	Cruise	Street	Remarks
			Qty.	Qty.	
1	PD 1110 36	Frame Assly comp.	1	1	BS IV
	PD 1110 41	Frame Assly comp.	1	1	
2	PD 1510 06	Cap Steering	1	1	
3	59 0400 05	Bolt With Washer	1	1	BS IV
4	36 DV00 07	Steering Cone Kit	1	1	Refer Page No. 110
5	DG 1810 48	Nut	1	1	
6	30 1012 36	Ball Steel	39	39	
8	PD 1138 14	Bracket Throttle Cable Routing	1	1	BS IV

Frame Fitting



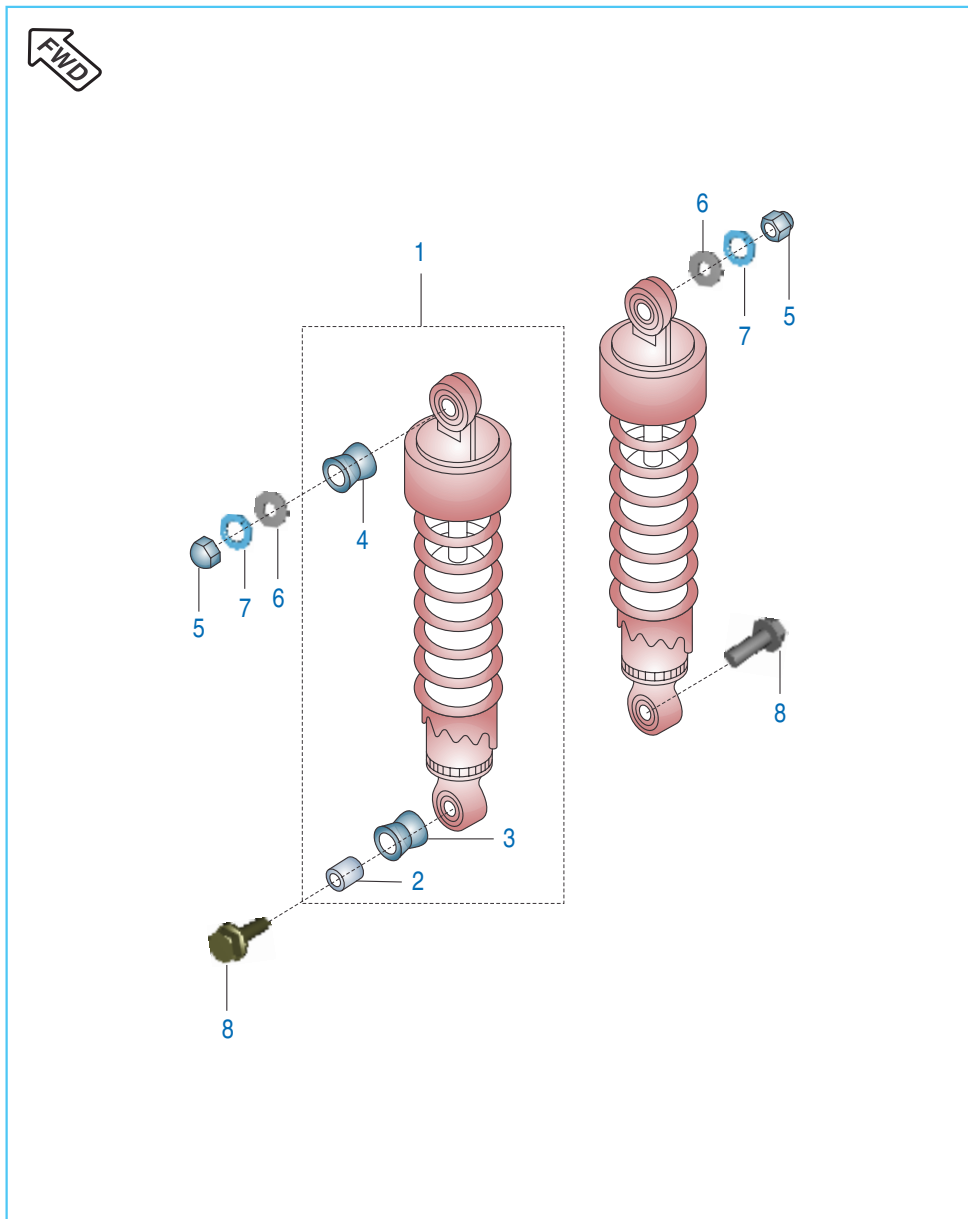
No.	Part No.	Description	Cruise	Street	Remarks
			Qty.	Qty.	
1	59 0400 42	Bolt, Flanged	1	1	
2	JM 1610 03	Bracket, Engine Mtg. Front RH	1	1	
3	39 1970 15	Hex Nut	11	11	
4	JM 1610 02	Bracket, Engine Mtg. Front LH	1	1	
5	39 1967 04	Bolt	4	4	
6	JM 1610 23	Bracket, Engine Rear	1	1	
6A	PD 1134 13	Bkt Assy Eng Mtg Rear (EVAP)	1	1	BS IV
7	59 0400 43	Bolt, Allen	1	1	
8	PD 1134 00	Bracket, Engine Top LH	1	1	
9	PD 1134 01	Bracket, Engine Top RH	1	1	
10	39 2455 04	Bolt	4	4	
11	39 2157 04	Bolt	1	1	
12	DG 1611 54	Cap, Pivot	2	2	
13	DG 1611 65	Cap, Tool case	1	1	

Swing Arm



No.	Part No.	Description	Cruise	Street	Remarks
			Qty.	Qty.	
1	PD 1220 00	Arm Comp. Swing	1	1	BS IV
2	JM 1710 04	Cap chain Adjuster	2	2	
3	DG 1710 15	Shaft Swing Arm	1	1	
	JL 1220 26	Shaft Swing Arm	1	1	
4	JM 1710 03	Adjuster Chain	2	2	
5	DG 1710 16	Sleeve	2	2	
6	DG 1710 34	Guard, Chain	1	1	
7	39 1053 15	Nut - Hexagon With Flange - M14	1	1	
8	DG 1710 22	Nut	2	2	
9	DG 1710 18	Bearing Needle	2	2	
10	DG 1710 19	Seal Oil	4	4	
11	39 1997 15	Nut Hex small	2	2	
12	39 1224 11	Washer Plain small	2	2	

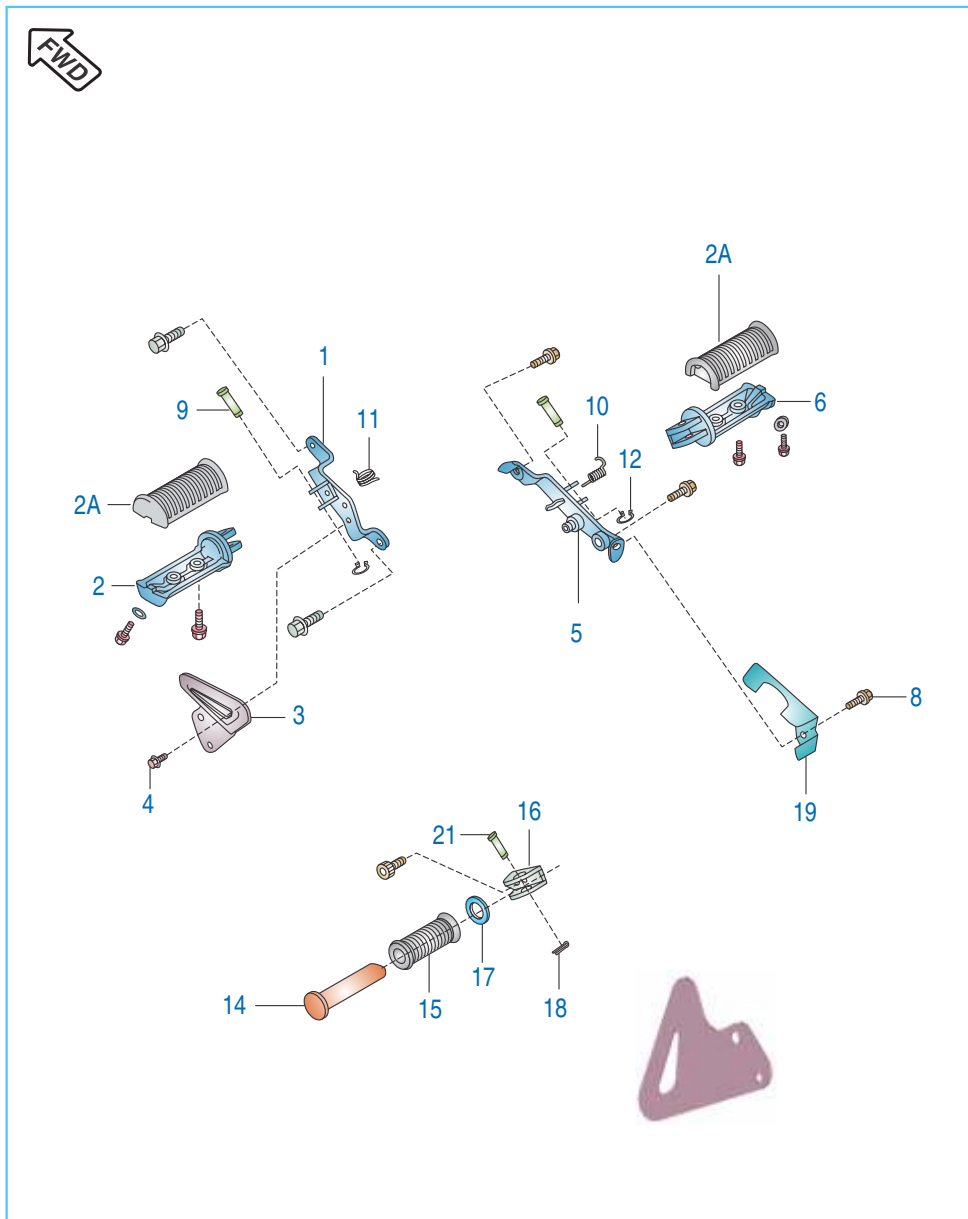
Rear Shock Absorber



No.	Part No.	Description	Cruise	Street	Remarks
			Qty.	Qty.	
1	DV 1710 01	Rear Shock Absorber	2	--	
	PD 1220 05	Rear Shock Absorber	--	2	
2	DG 1710 35	Collar, shock Absorber	2	2	
3	DG 1710 37	Damper, Lower	2	2	
4	DG 1710 36	Damper, Upper	2	2	
5	DG 1710 39	Nut cap	2	2	
6	DG 1710 25	Washer	2	2	
7	39 1829 12	Spring Washer	2	2	
8	DG 1710 38	Bolt Flanged	2	2	

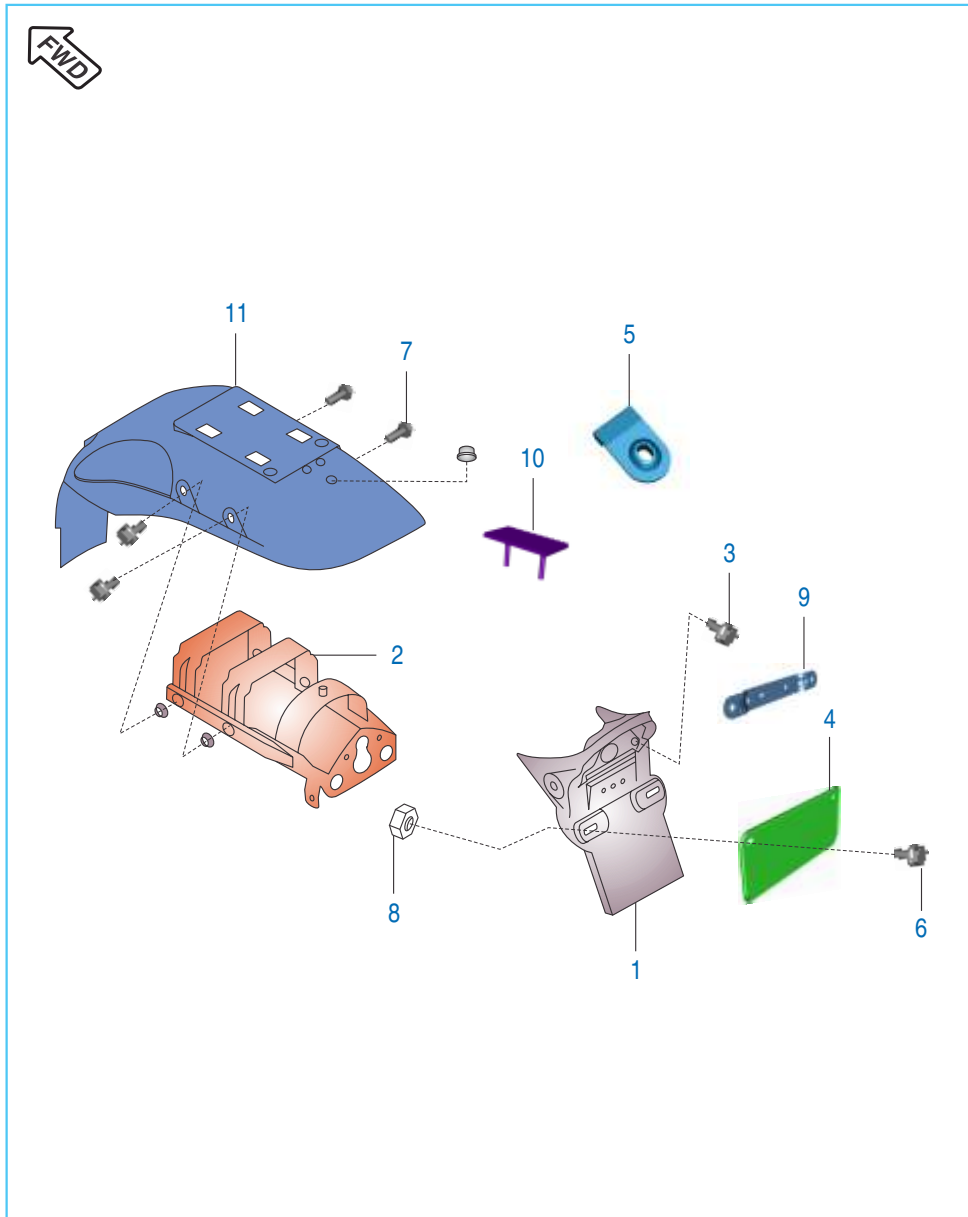


Foot Rest



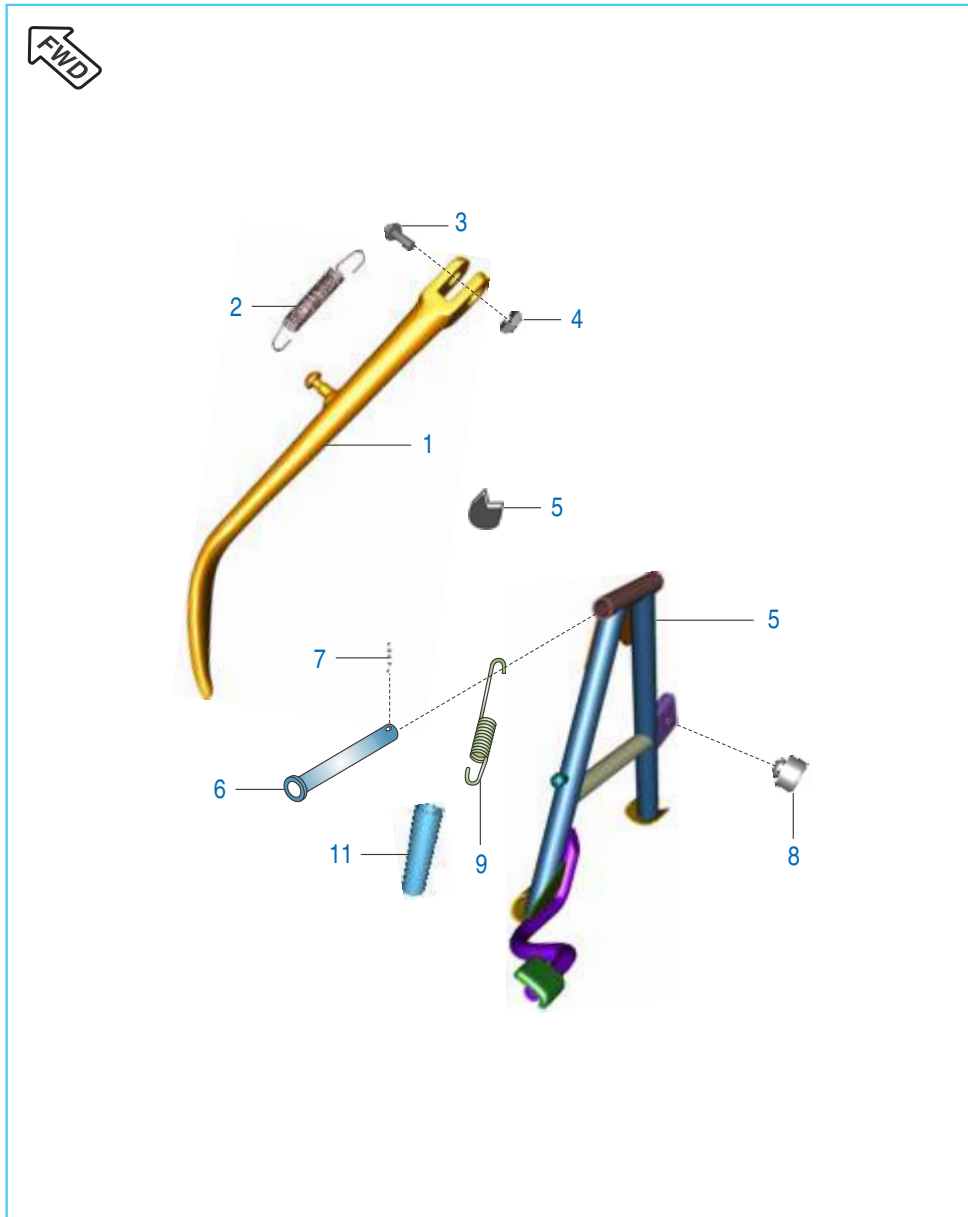
No.	Part No.	Description	Cruise	Street	Remarks
			Qty.	Qty.	
1	DV 1610 46	Holder Step Front LH	1	1	
2	PD 1130 00	Footrest Rider LH	2	2	
2A	PD 1130 03	Rubber Rider Step LH	1	1	
3	DV 1610 45	Guard Step LH	1	--	
	PD 2312 06	Guard Step LH	--	1	
4	39 2204 04	Bolt Flanged small	1	1	
5	JM 1610 37	Holder Step Front RH	1	1	
6	PD 1130 01	Rider Step RH	1	1	
7	36 PD00 60	Kit Hardware Holder Step Front	1	1	
8	DG 1611 53	Bolt socket	2	2	
9	DG 1611 45	Pin	2	2	
10	36 DV00 05	Spring LH	1	1	
11	DG 1611 47	Spring RH	1	1	
12	39 1937 17	Circlip	2	2	
14	PD 1130 02	Step Rubber Rear	2	2	
15	PD 1130 04	Rubber Main Step	2	2	
16	52 DV 00 24	Holder Step Rear RH	2	2	
17	DG 1611 50	Washer	2	2	
18	39 0146 08	Split Pin	2	2	
19	DV 1610 45	Guard Step RH	1	--	
	PD 2312 05	Guard Step RH	--	1	
20	39 2204 04	Bolt	1	1	
21	DG 1611 89	Pin	2	2	
22	DG 1611 53	Bolt Socket	2	2	

Mudguard - Front & Rear



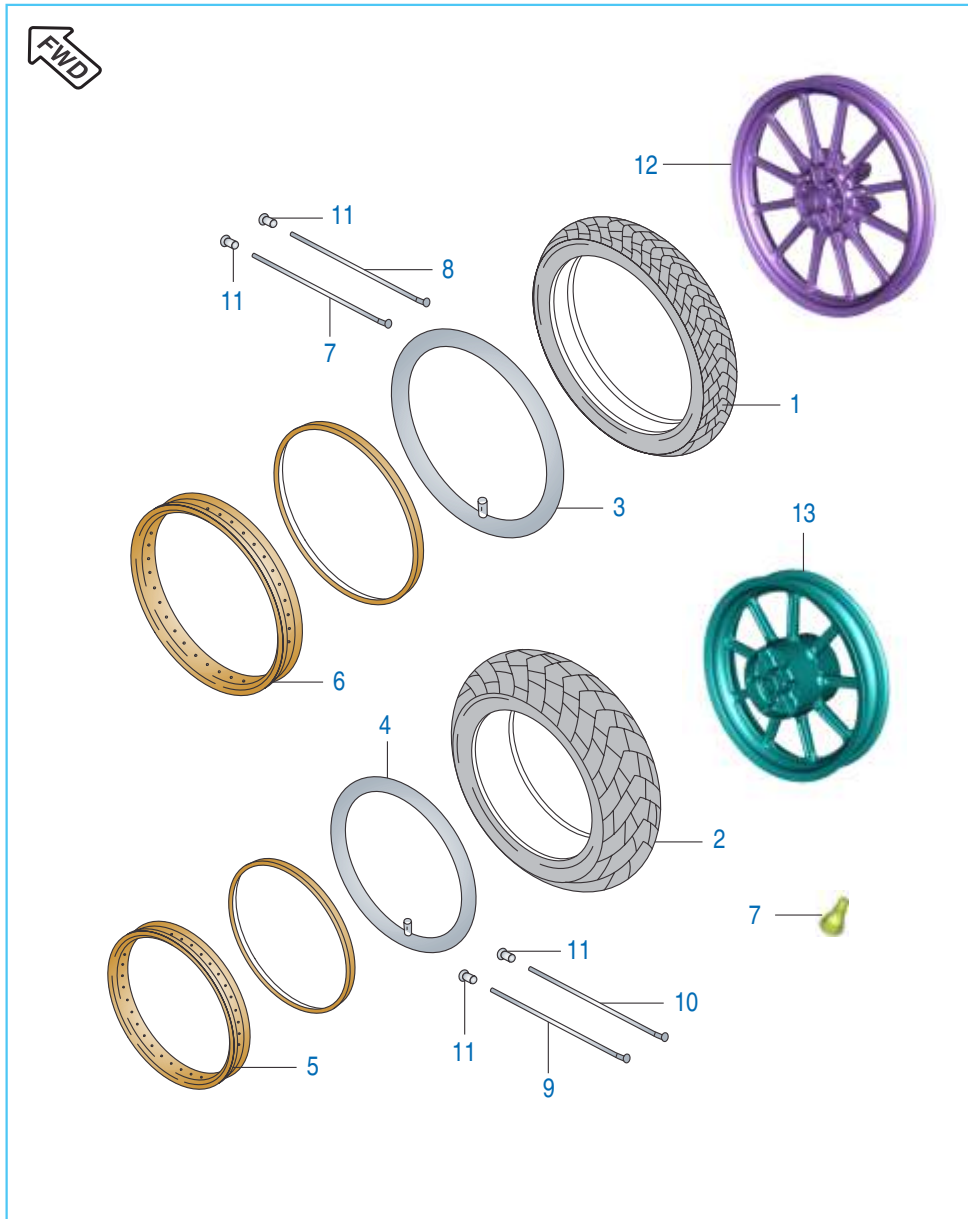
No.	Part No.	Description	Cruise	Street	Remarks
			Qty.	Qty.	
1	DG 1612 67	Flap	1	1	
2	DG 1612 06	Stay rear fender	1	1	
3	DG 1611 10	Bolt	2	2	
4	DP 1611 45	Number Plate	1	1	
5	DG 1611 08	Damper	1	1	
6	39 1943 04	Hex. head Bolt	2	2	
7	DG 1611 13	Bolt	4	4	
8	KC GA06 06	Hex. Nut	2	2	
9	DZ 1612 65	Bkt. Rear Number Plate	1	1	
10	PD 1814 01	Damper Rear Mud Guard	1	1	
11	52 DG0 28	Fender Rear	1	1	

Stand Assembly



No.	Part No.	Description	Cruise	Street	Remarks
			Qty.	Qty.	
1	DV 1610 17	Side Stand	1	1	
2	DG 1612 19	Spring	1	1	
3	DG 1611 29	Bolt	1	1	
4	DD 1610 71	Lock Nut	1	1	
5	DV 1610 33	Stand Centre	1	1	
6	DG 1612 30	Shaft Stand	1	1	
7	39 0797 08	Pin Cotter	1	1	
8	DG 1611 24	Damper	1	1	
9	DV 1610 60	Spring	1	1	
10	39 2423 11	Plain washer	1	1	
11	DG 1612 76	Damper Side Stand	1	1	

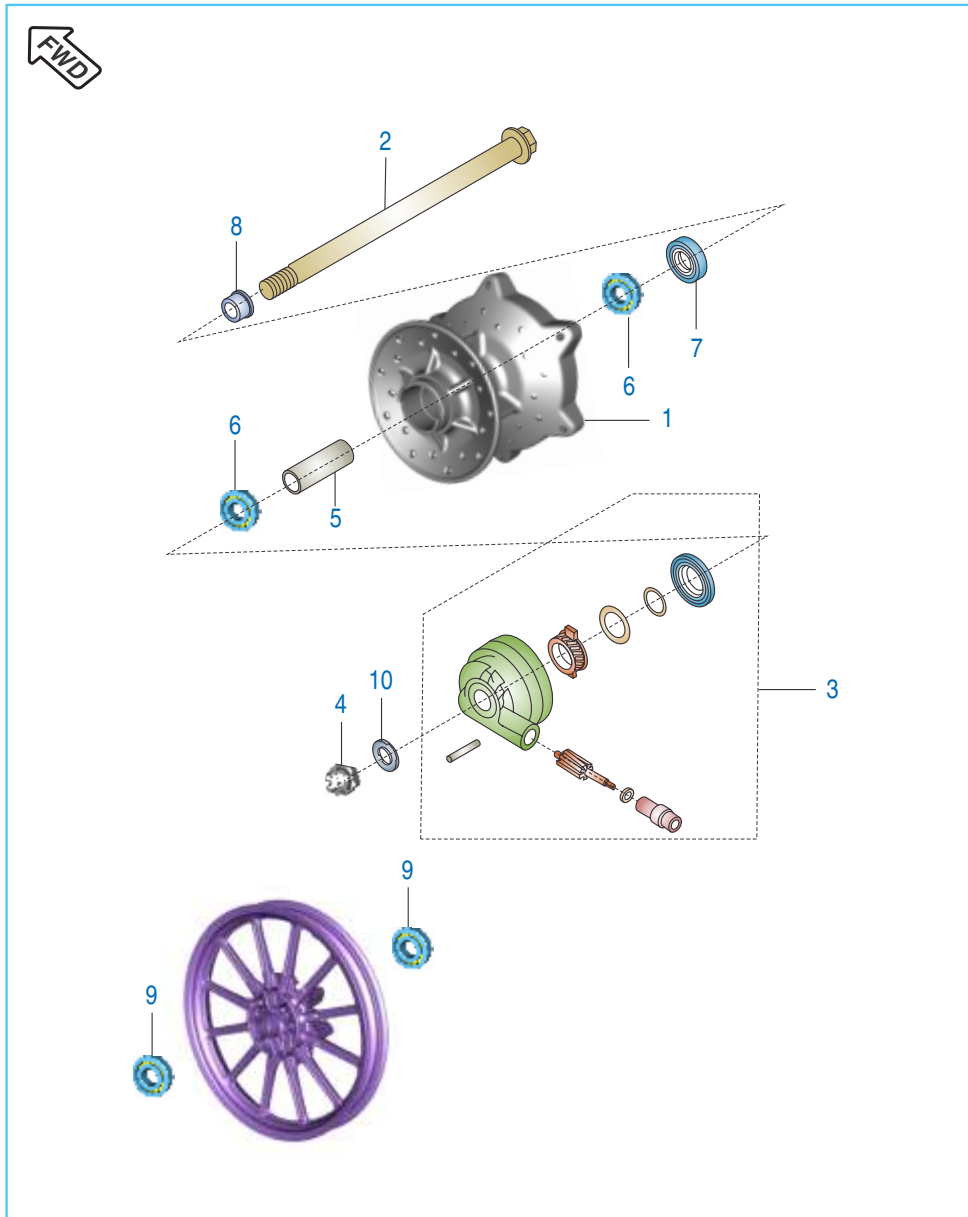
Tyre, Tube & Wheel Rim



No.	Part No.	Description	Cruise	Street	Remarks
			Qty.	Qty.	
1	DG 1510 97	Tyre Front	1	1	
	PD 1310 04	Tyre Front Tubeless	--	1	BS IV
2	DG 1510 70	Tyre Rear	1	1	
	PD 1312 11	Tyre Rear Tubeless	--	1	BS IV
3	DG 1510 21	Tube for Tyre Front	1	1	
4	DG 1510 71	Tube for Tyre Rear	1	1	
5	DG 1510 94	Rim Rear	1	--	
6	DG 1510 93	Rim Front	1	--	
7	DG 1510 25	Spoke Inner Front	18	--	
8	DG 1510 75	Spoke Inner Rear	18	--	
9	DG 1510 26	Spoke Outer Front	18	--	
10	DG 1510 76	Spoke Outer Rear	18	--	
11	30 1511 13	Nipple Spoke	72	--	
12	52 PD01 50	Front Rim With Decal	--	1	
	PD 1310 07	Wheel Front Tubeless Type	--	1	BS IV
13	52 PD01 51	Rear Rim With Decal	--	1	
	PD 1312 18	Wheel Rear Tubeless Type	--	1	BS IV
14	DK 1510 26	Valve	--	2	BS IV

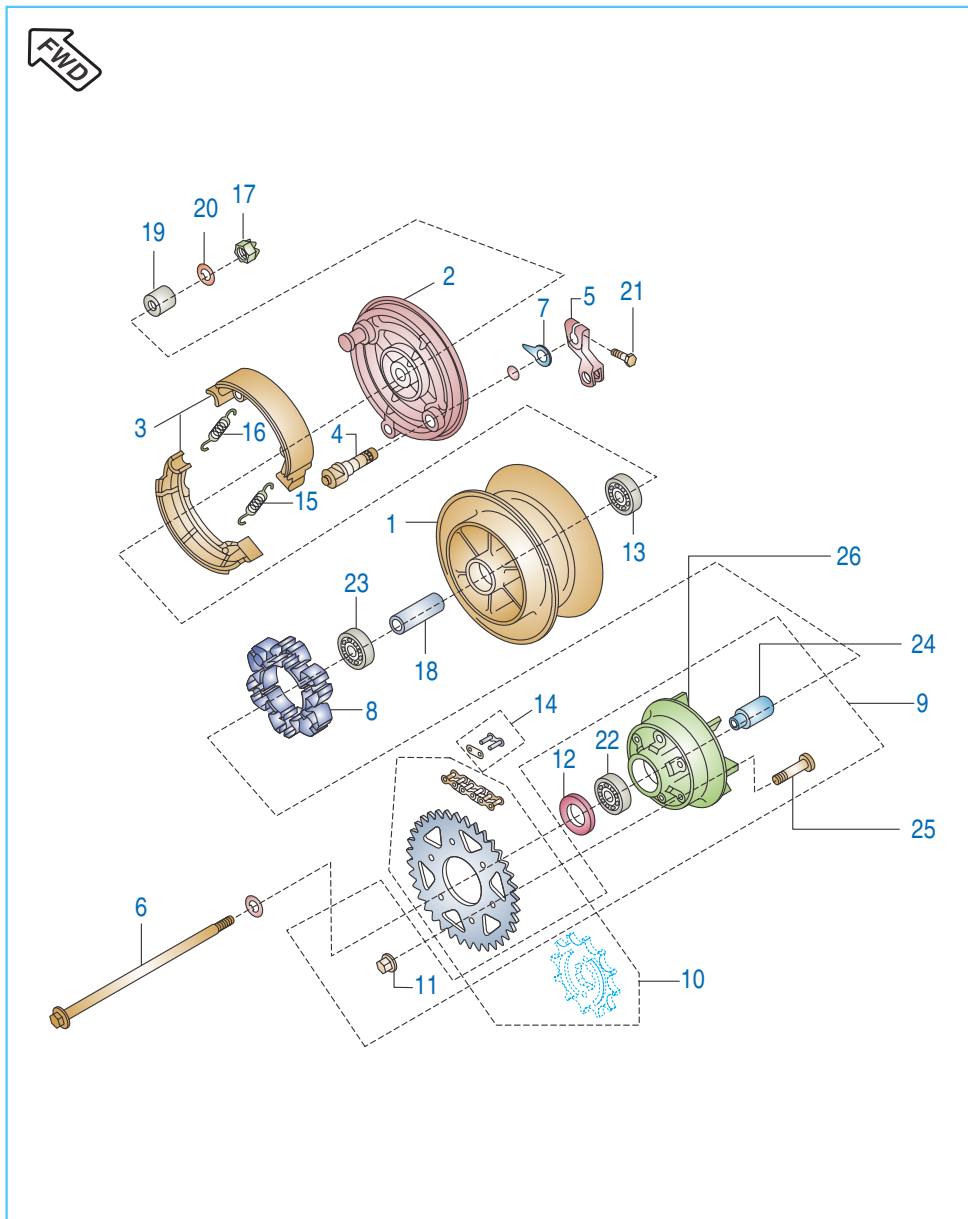
Note : Tyre & Tube are not supplied through BAL spare parts.

Front Hub



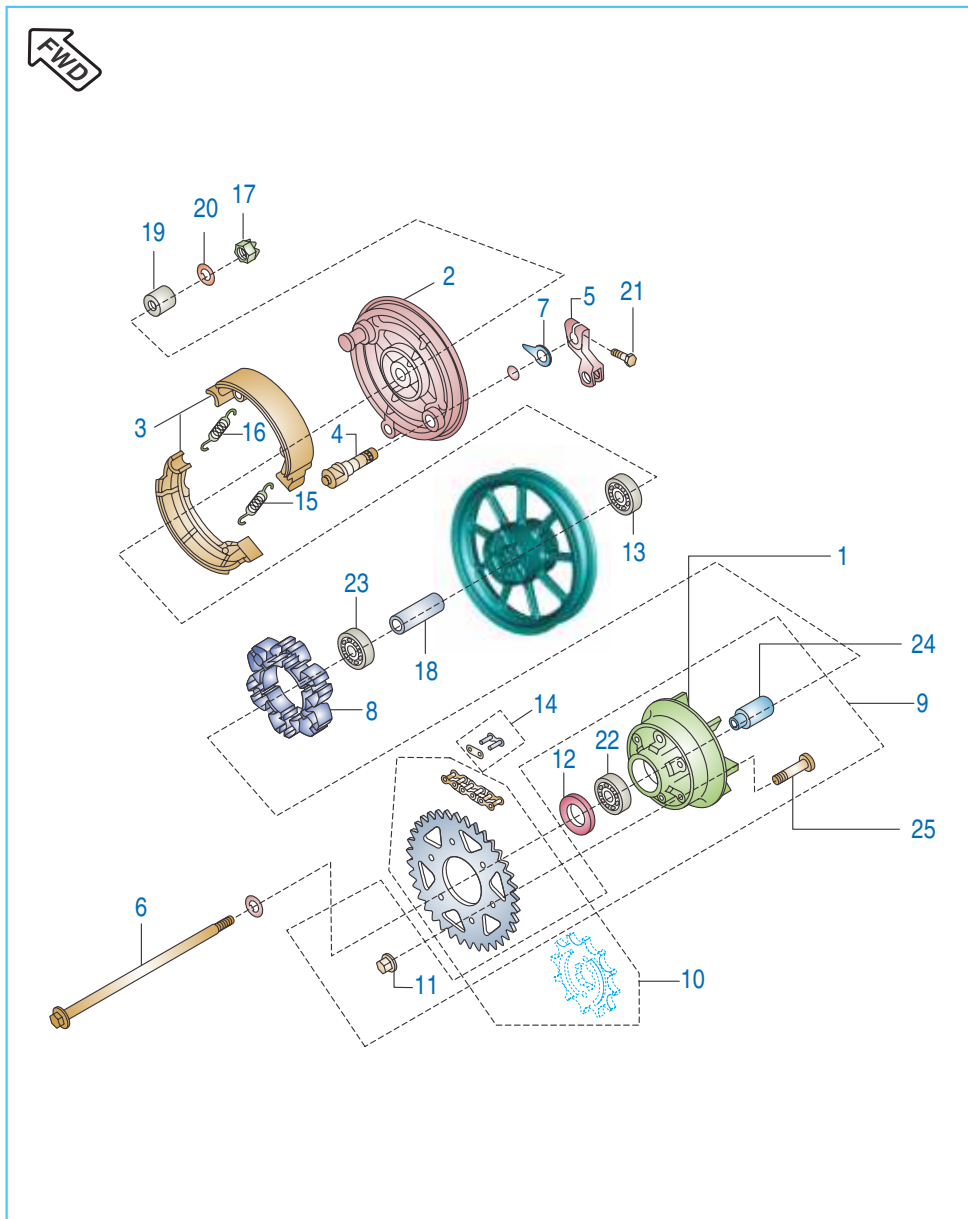
No.	Part No.	Description	Cruise	Street	Remarks
			Qty.	Qty.	
1	DG 1510 03	Drum Front Brake	1	--	
2	DG 1510 06	Axle, Front	1	1	
3	JC 1510 20	Case Meter Housing W/O Sensor	1	1	
4	DH 1710 19	Nut	1	1	
5	DG 1510 04	Collar	1	1	
6	39 2241 20	Ball Bearing	2	--	
7	DG 1510 05	Seal oil	1	1	
8	DG 1510 07	Collar Front Axle	1	1	
9	KP BC62 02	Ball Bearing	--	2	
10	DG 1510 08	Washer	1	1	

Rear Hub - Spoke (Cruise)



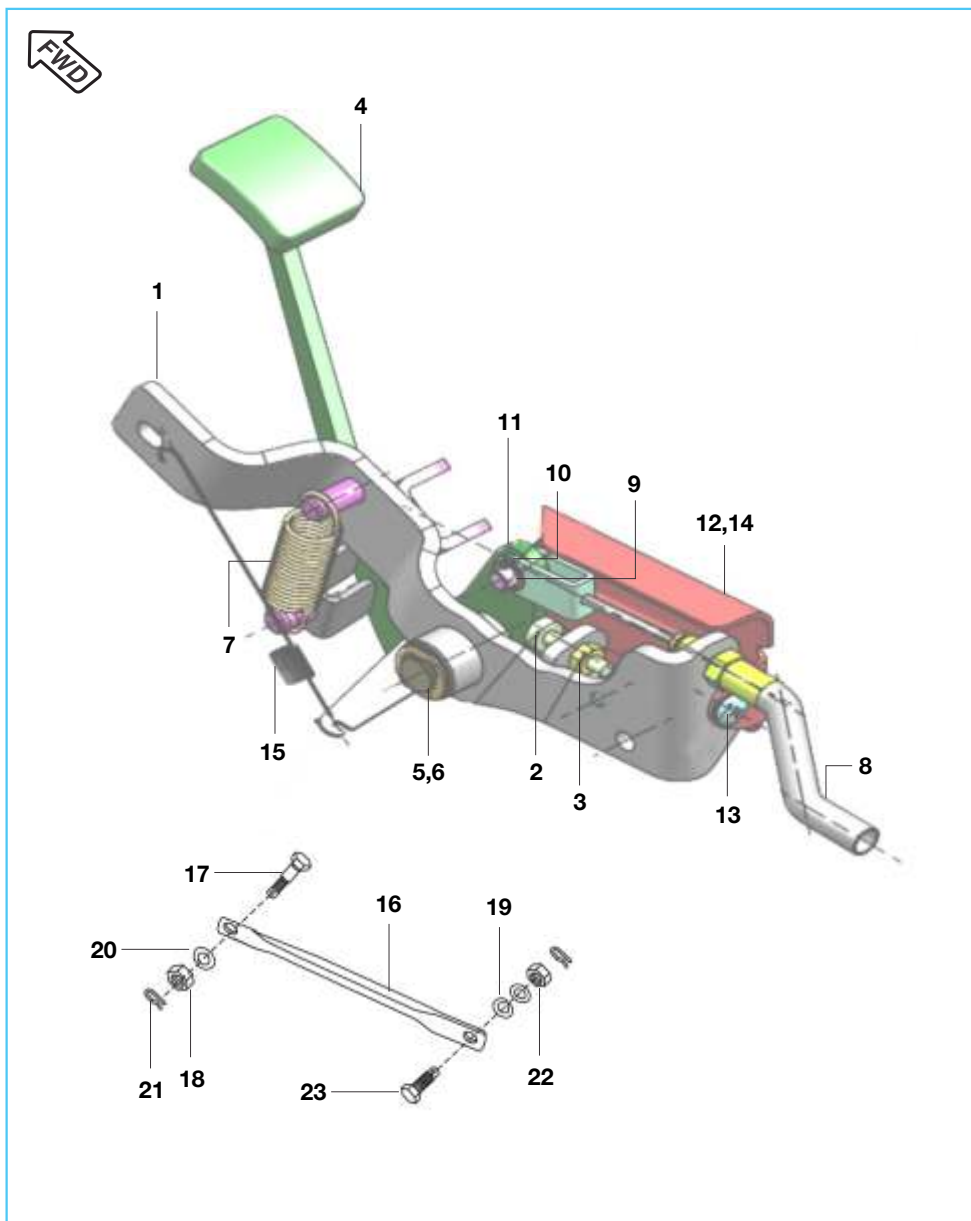
No.	Part No.	Description	Cruise	Street	Remarks
			Qty.	Qty.	
1	DG 1510 84	Drum Rear Brake	1	--	
2	DG 1510 81	Panel Assly Brake Rear	1	--	
3	DG 1510 96	Shoe Brake Rear (Pair)	1	--	
4	DG 1510 59	Cam Brake	1	--	
5	DG 1510 60	Lever Brake Cam	1	--	
6	JM 1510 05	Axle Rear	1	--	
7	30 1510 09	Indicator Brake Shoe	1	--	
8	30 1510 76	Damper Rear Hub Shock	1	--	
9	PD 1312 01	Coupling Assly Rear Hub	1	--	
10	36 PD00 21	Chain - Sprocket - Kit	1	--	Ref. Page No. 109
11	DV 1510 06	Nut Flanged lock	6	--	
12	30 1510 82	Seal Oil	1	--	
13	39 2242 20	Bearing Ball	1	--	
14	DG 1510 95	Joint Chain	1	--	Deleted
15	DG 1510 58	Spring Brake Shoe	1	--	
16	30 1510 69	Spring Brake Shoe	1	--	
17	DH 1710 19	Nut	1	--	
18	DG 1510 62	Collar Rear Brake Drum	1	--	
19	DG 1510 62	Collar Rear Axle	1	--	
20	DG 1510 08	Washer	2	--	
21	39 1916 04	Bolt Upset	1	--	
22	39 2240 20	Bearing Ball	1	--	
23	39 2241 20	Bearing Ball	1	--	
24	DG 1510 65	Sleeve	1	--	To be confirm
25	DG 1510 68	Bolt	6	--	
26	DV 1510 05	Coupling	1	--	

Rear Hub - Alloy Wheel (Street)



No.	Part No.	Description	Cruise	Street	Remarks
			Qty.	Qty.	
1	PD 1312 12	Coupling	--	1	
2	PD 1318 10	Panel Brake Rear	--	1	
3	DG 1510 96	Shoe Brake Rear (Pair)	--	1	
4	DG 1510 59	Cam Brake	--	1	
5	DG 1510 60	Lever Brake Cam	--	1	
6	JM 1510 05	Axle Rear	--	1	
7	30 1510 05	Indicator Brake Shoe	--	1	
8	30 1510 76	Damper Rear Hub Shock	--	1	
9	JL 1312 32	Damper Rear Hub Shock	--	1	BS IV
10	PD 1312 12	Coupling Rear Hub	--	1	
11	36 PD00 21	Chain - Sprocket - Kit	--	1	Ref. Page No. 109
12	DV 1510 06	Nut Flanged lock	--	6	
13	30 1510 82	Seal Oil	--	1	
14	KP BC62 02	Bearing Ball	--	1	
15	DG 1510 95	Joint Chain	--	1	Deleted
16	DG 1510 58	Spring Brake Shoe	--	1	
17	30 1510 69	Spring Brake Shoe	--	1	
18	DH 1710 19	Nut	--	1	
19	DG 1510 85	Collar Rear Brake Drum	--	1	
20	DG 1510 62	Collar Rear Axle	--	1	
21	DG 1510 08	Washer	--	2	
22	39 1069 01	Screw	--	1	
23	KP BC60 04	Bearing Ball	--	1	
24	KP BC63 02	Bearing Ball	--	1	
25	DG 1510 65	Sleeve	--	1	To be confirm
26	DG 1510 68	Bolt	--	6	

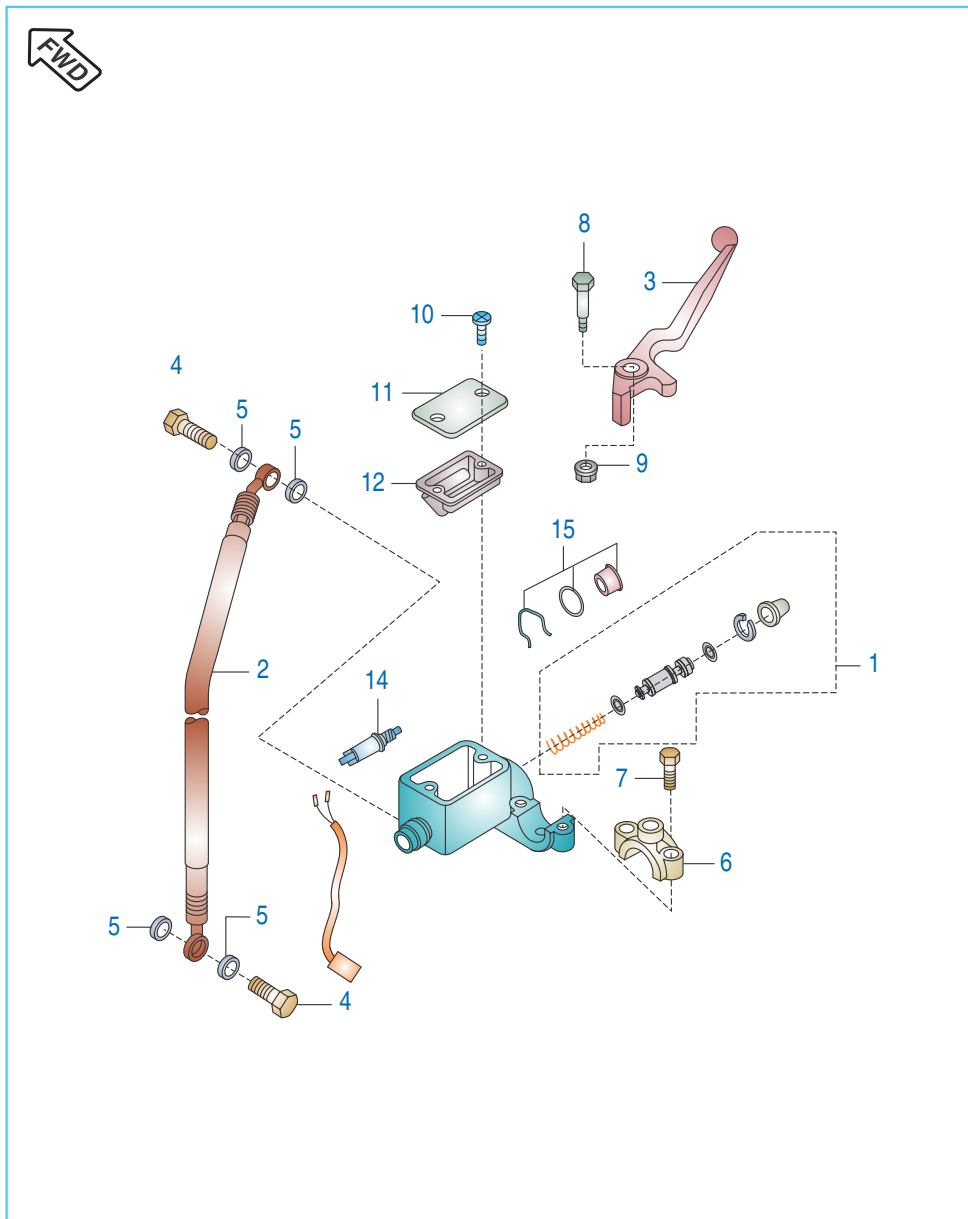
Rear Brake Pedal



No.	Part No.	Description	Cruise	Street	Remarks
			Qty.	Qty.	
1	JM 1610 37	Stay RH assly.	1	1	
2	KA AC06 30	Hexagon head bolt M6X1	1	1	
3	39 1513 15	Hexagon Nut-M6X1	1	1	
4	JM 1910 11	Lever Brake	1	1	
5	39 0805 11	Washer	1	1	
6	LE C000 01	Circlip E type	1	1	
7	JM 1910 12	Spring	1	1	
8	JM 1910 13	Rear brake cable	1	1	
9	DG 1910 51	Pin	1	1	
10	39 1211 11	Washer Plain	1	1	
11	39 0146 08	Slip Pin	1	1	
12	JM 1910 15	Guard Brake pedal	1	--	
	PD 2312 05	Guard Brake pedal	--	1	
13	KB UA06 12	Mushroom Head screw - M6-L12	1	1	
14	LB U000 08	Mushroom Head screw - M6-L40	1	1	
15	JM 1910 14	Spring Brake Switch	1	1	
16	PD 1220 03	Torque Rod	1	1	N.I
17	PD 1220 04	Bolt Torque Rod	1	1	N.I
18	39 0694 15	Nut	1	1	N.I
19	39 0789 12	Washer Spring	1	1	N.I
20	39 1540 11	Washer Plain	2	2	N.I
21	39 0807 08	Pin Snap	2	2	
22	39 1225 15	Hex Nut	1	1	
23	DG 1910 49	Bolt	1	1	

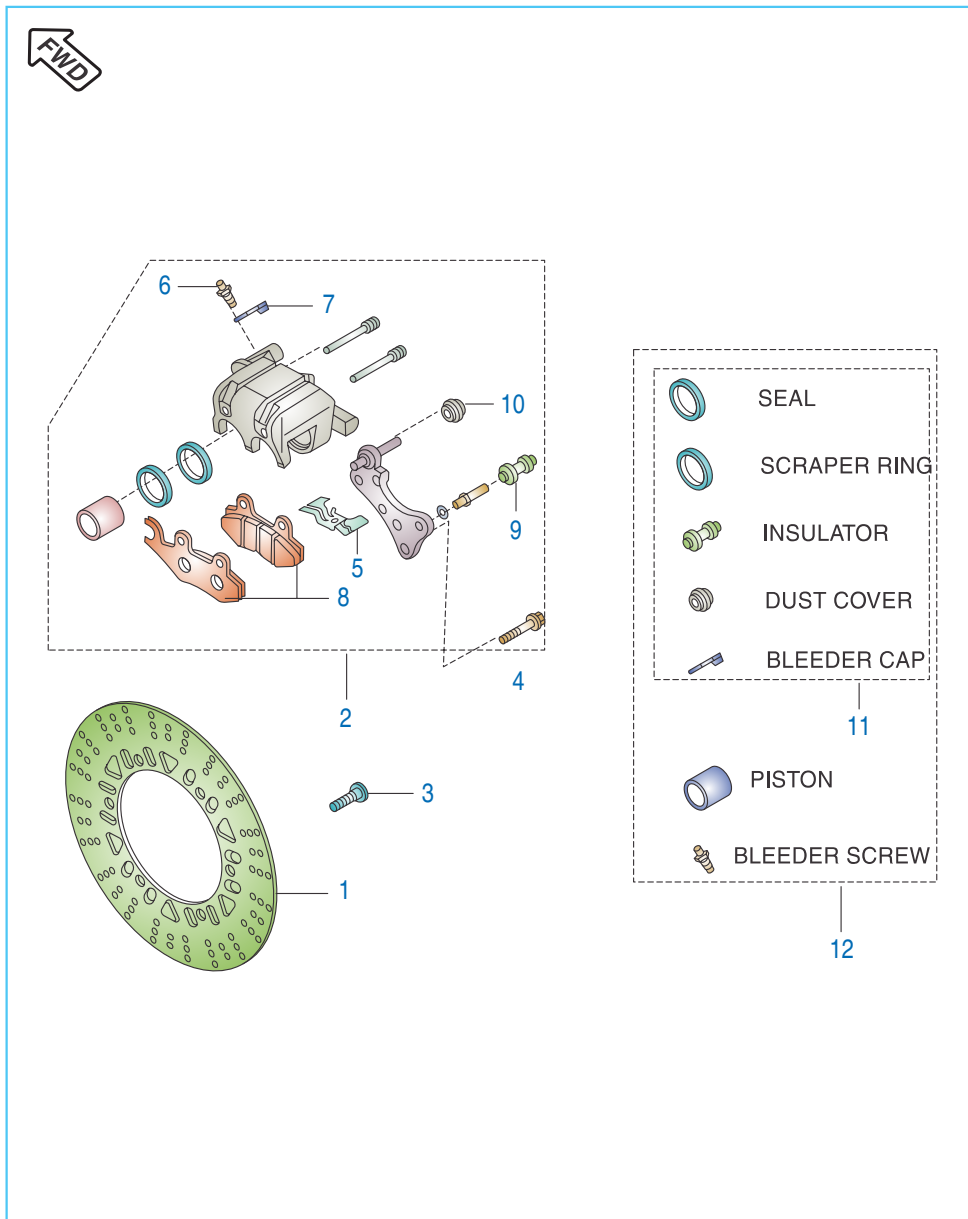


Front Master Cylinder



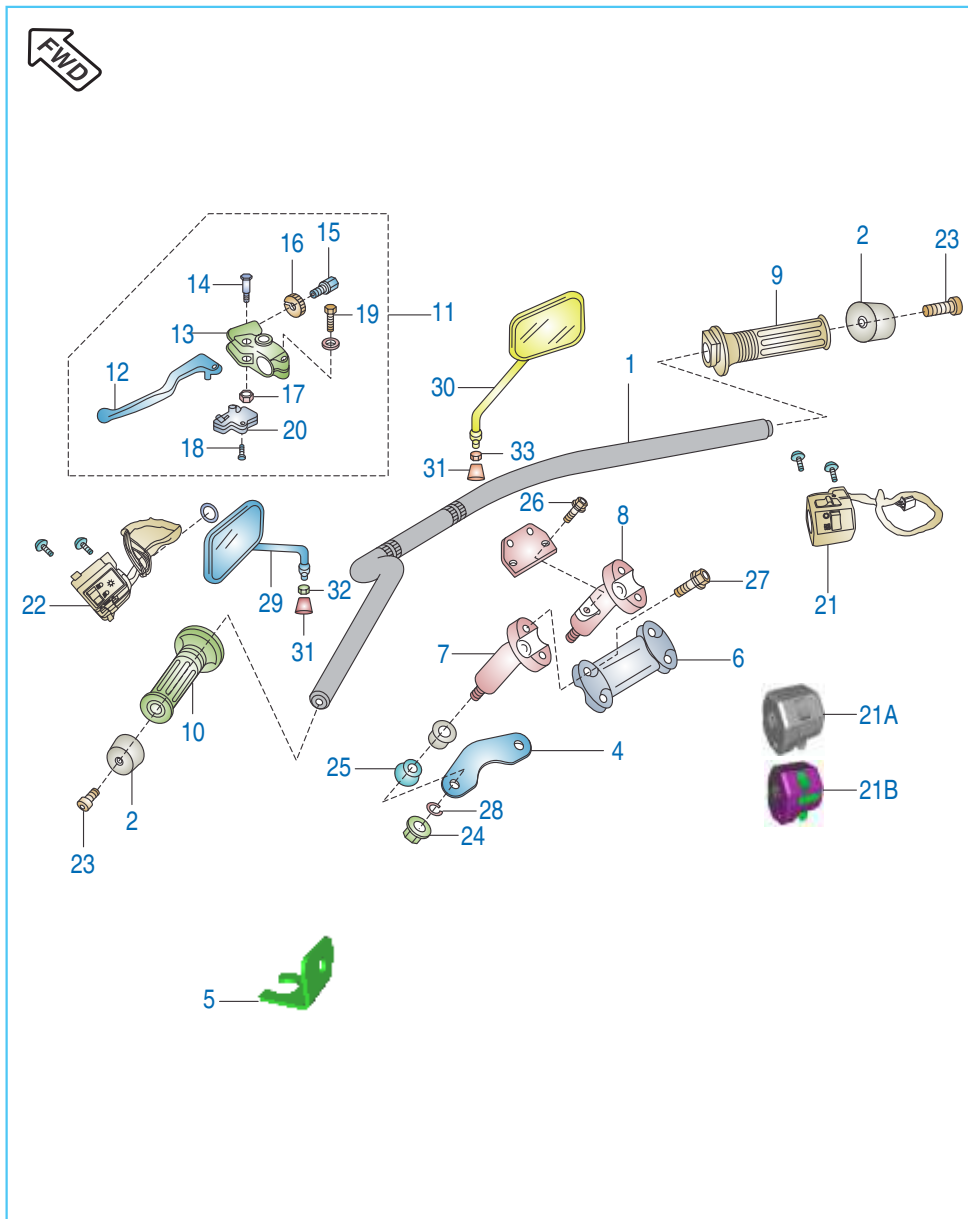
No.	Part No.	Description	Cruise	Street	Remarks
			Qty.	Qty.	
1	36 PD00 37	Major Kit - Master Cylinder	1	1	
2	36 PD00 35	Hose Brake Front	1	--	
	PD 1318 08	Hose Brake Front	--	1	
3	36 PD00 41	Lever Grip RH	1	--	
	DV 1910 07	Lever Grip RH	--	1	
4	36 PD00 36	Banjo Bolt	2	2	
5	DE 1910 10	Washer Copper	4	4	
6	DE 1910 33	Clamp Holder RH	1	1	
7	DE 1910 34	Bolt	2	2	
8	DE 1910 31	Bolt Front Brake Lever	1	1	
9	DE 1910 32	Nut Flanged	1	1	
10	DE 1910 30	Screw	2	2	
11	DE 1910 29	Reservoir Cover	1	1	
12	DE 1910 28	Diaphragm	1	1	
13	DE 1910 27	Cover Seal Master Cylinder (Boot)	1	1	N.I.
14	DE 1910 36	Front brake switch	1	--	
	DJ 2011 00	Front brake switch	--	1	
15	DE 1910 36	Kit Window Master cylinder	1	--	
	DE 1910 35	Oil Window Kit	--	1	(Window / 'O' ring / Clip)
16	PD 1318 16	Master Cylinder	1	--	
	DE 1510 15	Master Cylinder	--	1	
17	36 PD00 38	Kit Mirror Master cylinder	1	1	

Front Brake - Caliper & Disc



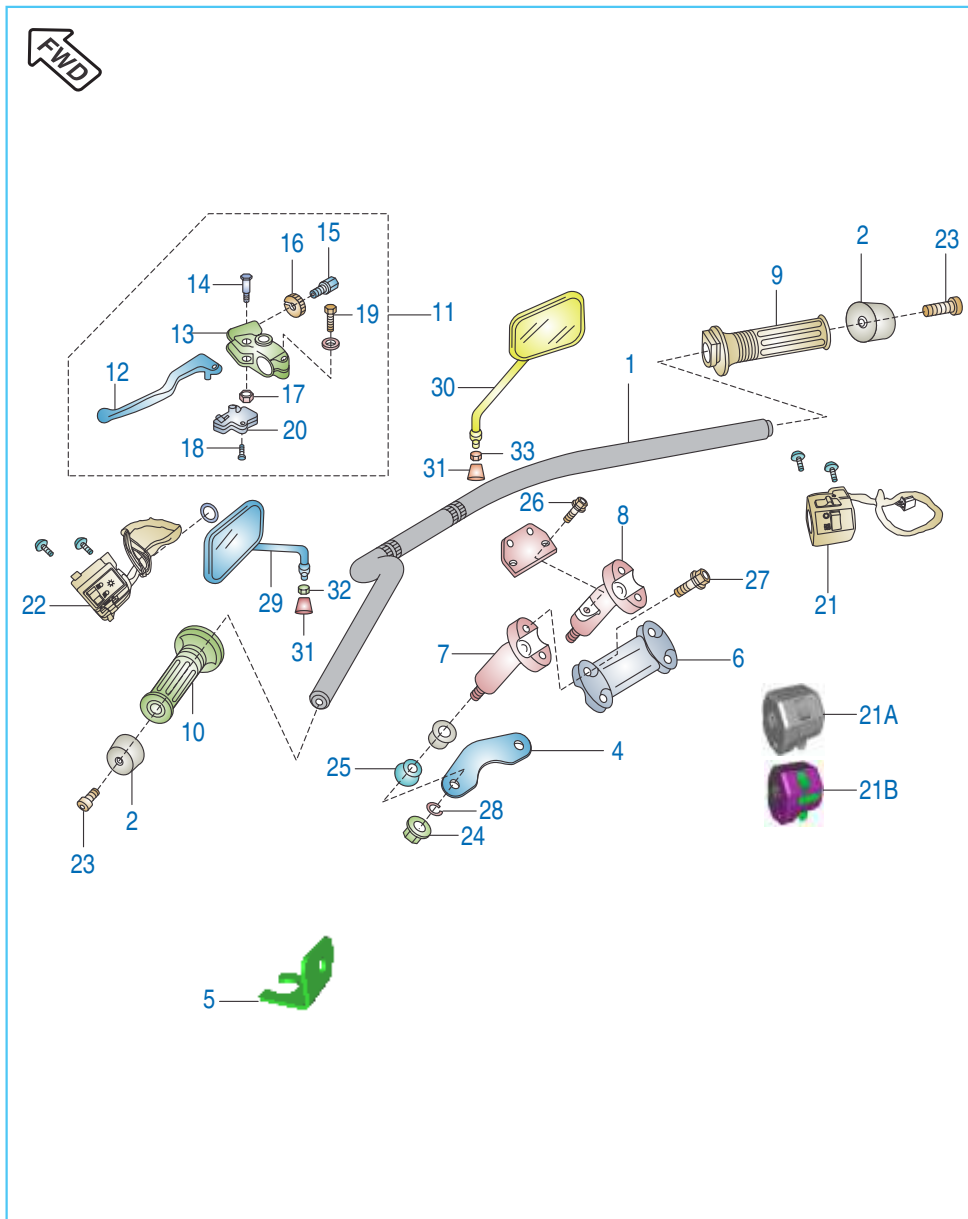
No.	Part No.	Description	Cruise	Street	Remarks
			Qty.	Qty.	
1	DG 1511 02	Disc KBX	1	--	
	PD 1318 15	Disc, Front	--	1	
2	DG 1510 89	Caliper Assly. Front	1	--	
	PD 1318 13	Caliper Assly. Front	--	1	
3	PD 1318 03	Bolt, Disc Plate	6	6	
4	DG 1510 88	Bolt Flanged	2	2	
5	DE 1510 48	Spring Pad	1	1	
5A	36 PD00 43	Kit Cal Assly-pad Spring	1	1	
6	DE 1510 46	Bleeder Screw	1	1	
7	DE 1510 47	Bleeder Cap	1	1	
8	DE 1510 37	Disc Pad Set	1	1	
9	DE 1510 43	Insulator	1	1	
10	DE 1510 45	Dust cover	1	1	
11	36 DK00 65	Minor Kit - Caliper	1	1	
12	36 DK00 66	Major Kit - Caliper	1	1	
13	36 PD00 44	Kit Cal Assly (ø28x2)-pad Pin	1	1	
14	36 PD00 45	Kit Caliper Bracket	1	1	

Handle Bar



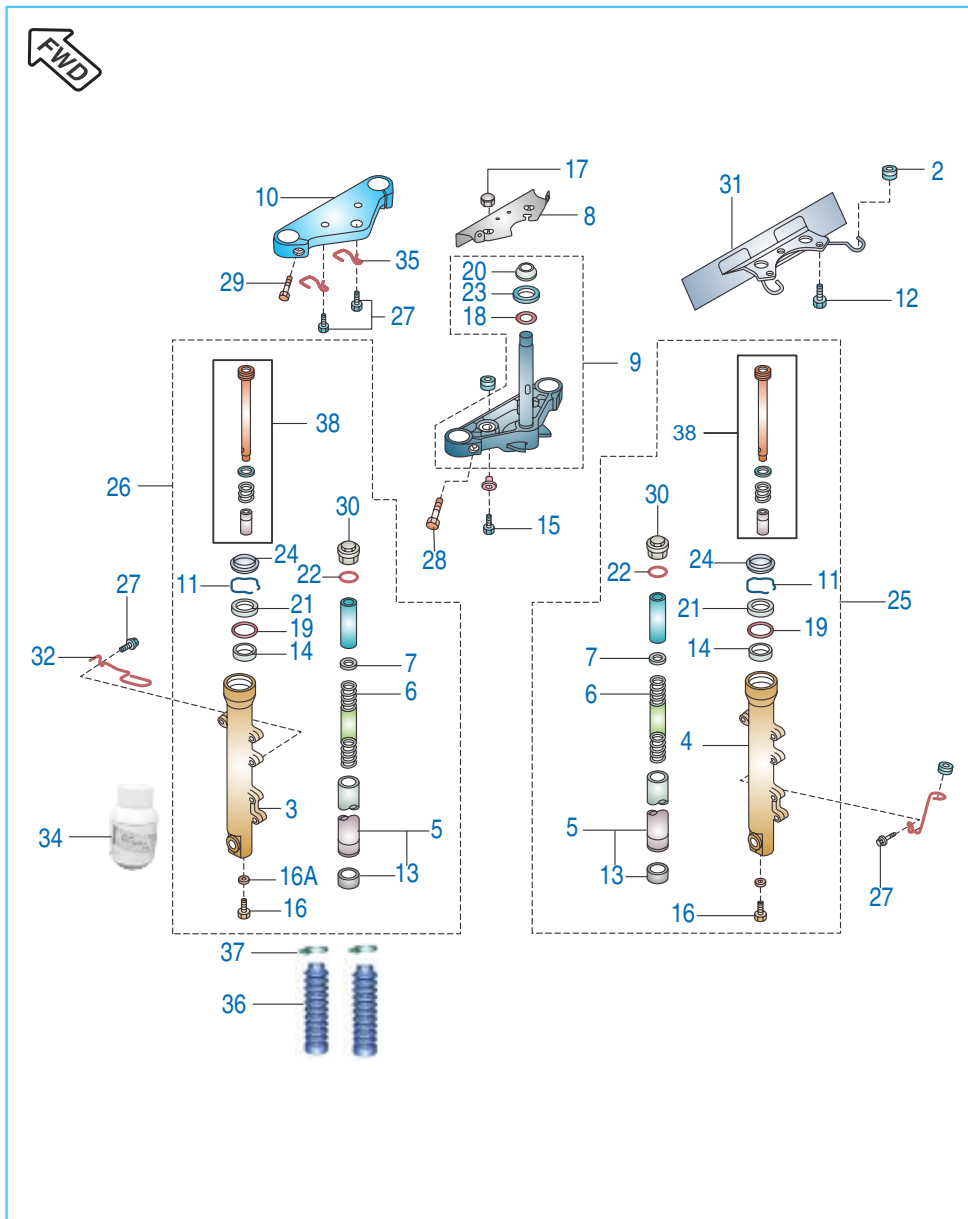
No.	Part No.	Description	Cruise	Street	Remarks
			Qty.	Qty.	
1	PD 1510 07	Handle	1	--	
	PD 1510 00	Handle	--	1	
2	PD 1510 09	Weight, Handle	2	--	
	DJ 1810 11	Weight, Handle	--	2	
3	DG 1810 69	Plate	1	1	
4	DG 1810 91	Holder Fork Upper	1	--	
	PD 1510 03	Upper Bracket	--	1	
5	PD 1138 03	Bracket Speedo Cable	1	1	
6	DG 1810 67	Holder Handle Upper	1	--	
	PD 1510 01	Holder Handle Upper	--	1	
7	DG 1810 70	Holder Handle Lower LH	1	--	
	PD 1510 04	Holder Handle Lower LH	--	1	
8	DG 1810 71	Holder Handle Lower RH	1	--	
	PD 1510 05	Holder Handle Lower RH	--	1	
9	PD 1610 04	Grip RH	1	1	
10	PD 1610 01	Grip LH	1	1	
11	PD 1610 05	Lever Assly. Grip Clutch LH	1	--	
	DG 1910 10	Lever Assly. Grip Clutch LH	--	1	
12	DG 1910 12	Lever Grip	1	1	
13	DG 1910 10	Holder Lever	1	1	
	LA A000 26	Bolt Clutch Lever	1	--	
14	DG 1910 13	Bolt Clutch Lever	--	1	
	30 1910 24	Screw cable Adjust	1	1	
15	30 1910 17	Nut Cable Adjust Lock	1	1	
16	DG 1910 14	Nut Lock	1	1	

Handle Bar



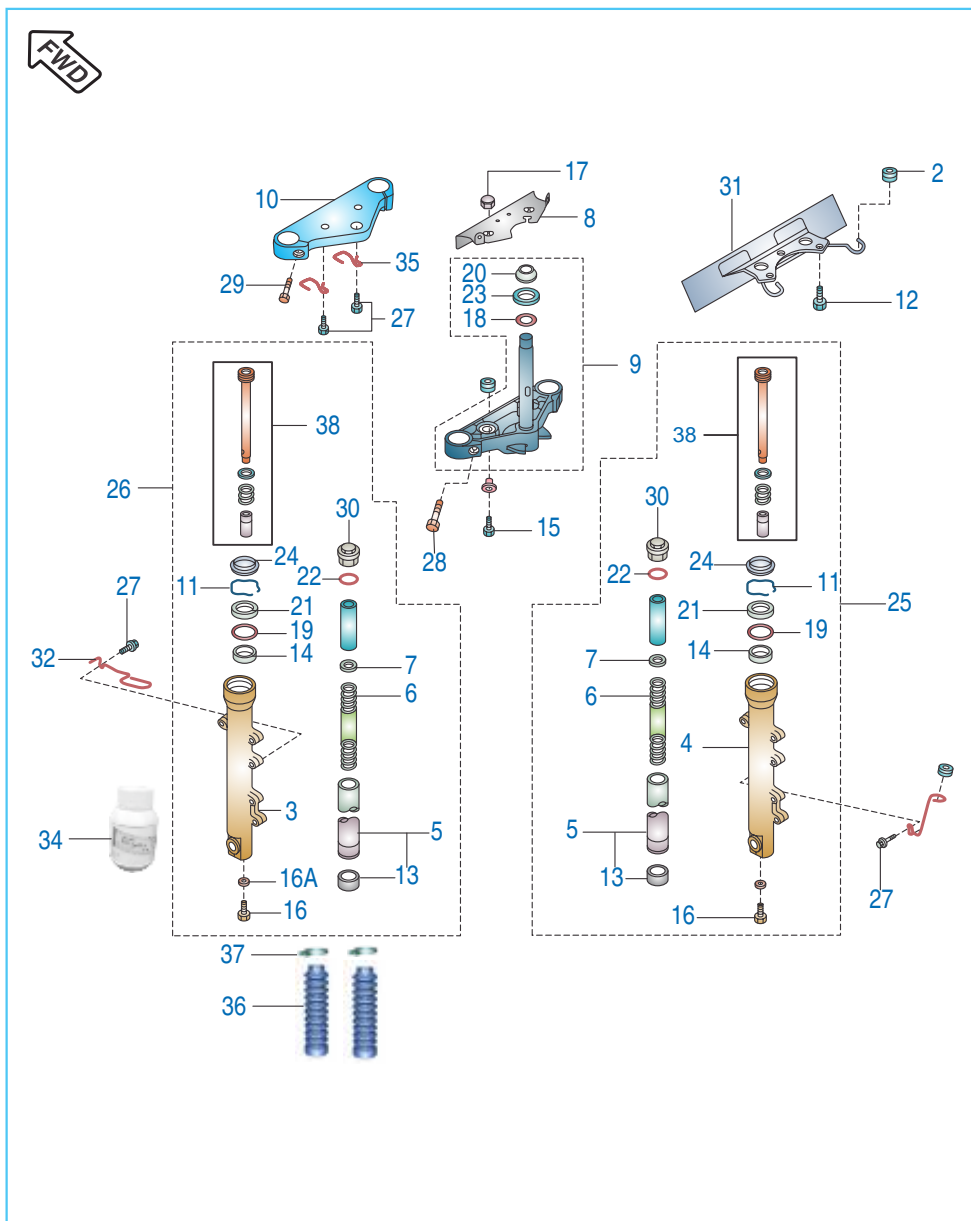
No.	Part No.	Description	Cruise	Street	Remarks
			Qty.	Qty.	
18	39 1995 01	Screw CSK Cross	2	2	
19	KA DD06 22	Bolt Upset	1	--	
	39 1993 04	Bolt Upset	--	1	
20	DG 2010 30	Clutch Switch	1	1	
21	PD 4014 11	Control Switch RH	1	--	
	PD 4014 01	Control Switch RH	--	1	
21A	PD 4014 09	Control Switch RH	1	--	AHO Model
21B	PD 4014 14	Control Switch RH	--	1	AHO Model
22	PD 4014 10	Control Switch LH	1	--	
	PD 4014 04	Control Switch LH	--	1	
23	39 2427 04	Bolt - Hex. Socket Head Cap - M6	2	2	
24	DG 1810 87	Nut Cap	2	2	
25	DG 1810 54	Damper	4	4	
26	39 1953 04	Bolt Flanged small	2	2	
27	39 1952 04	Bolt Flanged small	4	4	
28	39 0789 12	Washer spring	2	2	
29	PD 2316 02	Mirror Assly LH	1	--	
	PD 2316 04	Mirror Assly LH (Plastic Housing)	--	1	
30	PD 2316 03	Mirror Assly RH	1	--	
	PD 2316 05	Mirror Assly RH (Plastic Housing)	--	1	
31	JM 2210 04	Mirror Rubber boot	2	2	
32	JM 2210 05	Nut Mirror LH	1	1	
33	JM 2210 06	Nut Mirror RH	1	1	
35	JM 1910 10	Lever Boot - Clutch Lever	1	1	N.I.

Front Fork



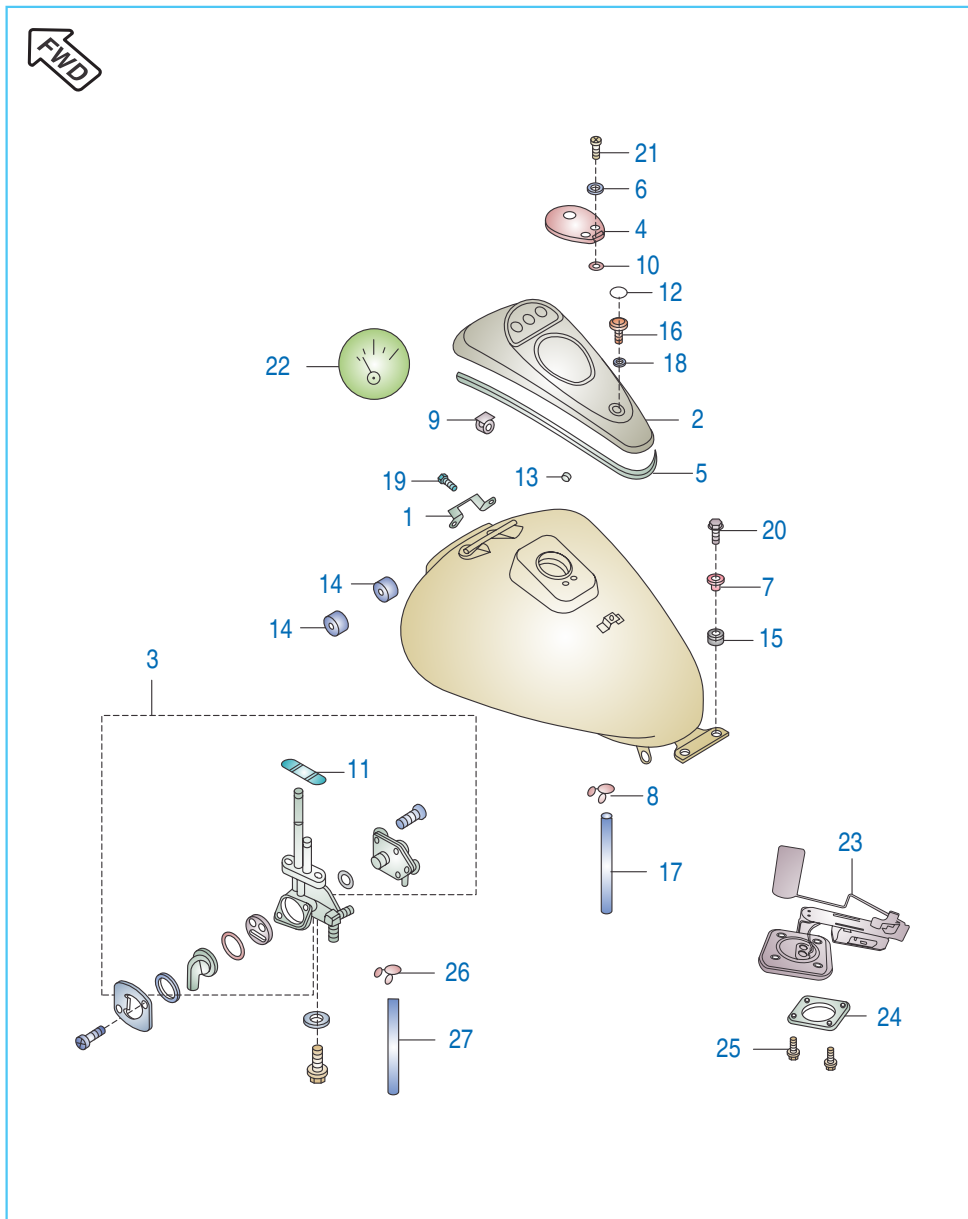
No.	Part No.	Description	Cruise	Street	Remarks
			Qty.	Qty.	
1	PD 1210 17	Front Fork	1	--	
	PD 1210 07	Front Fork	--	1	
2	DG 1810 34	Grommet, Hose Clamp	2	2	
3	PD 1210 00	Pipe - Left Fork Outer	1	--	
	PD 1210 09	Tube Outer LH	--	1	
4	PD 1210 01	Pipe - Right Fork Outer	1	--	
	PD 1210 10	Tube Outer LH	--	1	
5	DV 1810 13	Fork Pipe Inner	2	2	
6	DG 1810 14	Spring Front Fork	2	2	
7	DG 1810 15	Seat Fork Spring	2	2	
8	PD 1812 16	Bracket Fork Cover	1	1	
9	PD 1210 16	Under Bracket Assly	1	--	
	PD 1210 15	Under Bracket Assly	--	1	
10	DG 1810 91	Holder Fork Upper	1	--	
	PD 1510 03	Holder Fork Upper	--	1	
11	DG 1810 22	Ring, Oil Seal Stopper	2	2	
12	39 1943 04	Bolt Flange	3	3	
13	DG 1810 11	Bushing - Front Fork, Inner Pipe	2	2	
14	DG 1810 13	Bushing - Front Fork, Outer Tube	2	2	
15	39 1951 04	Bolt Flanged small	2	2	
16	KA CF08 30	Bolt, Fork Cylinder	2	2	
16A	30 1810 26	Gasket	2	2	
17	DG 1810 85	Nut, Cap	2	2	
18	DG 1810 03	Washer	1	1	
19	DG 1810 24	Spacer	2	2	

Front Fork



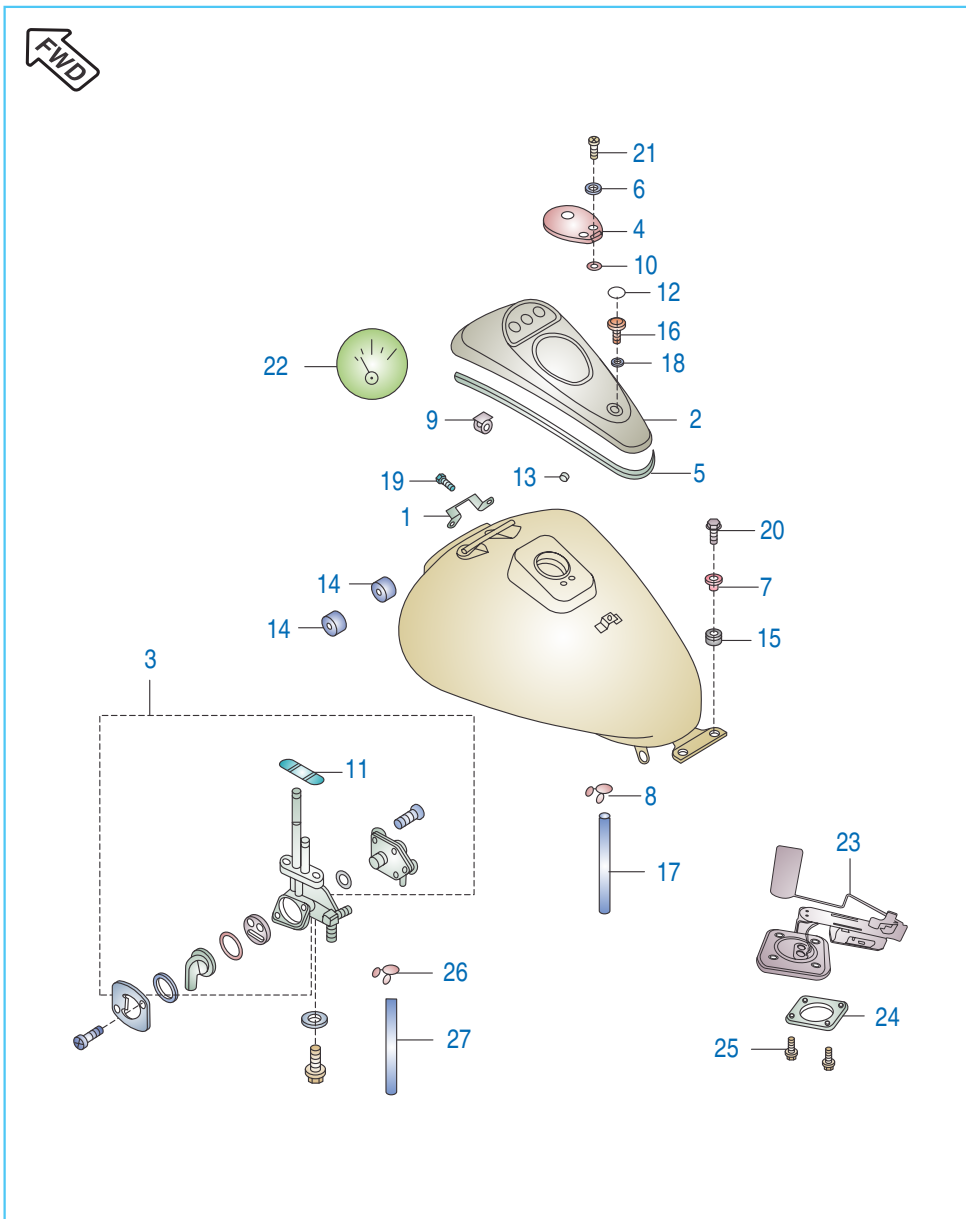
No.	Part No.	Description	Cruise	Street	Remarks
			Qty.	Qty.	
20	DG 1810 05	Race, Steering Stem Bearing	1	1	
21	DG 1810 23	Seal Oil, Fork Outer Tube	2	2	
22	DG 1810 26	Ring 'O' Fork Top	2	2	
23	DG 1810 04	Seal Oil, Steering Stem	1	1	
24	DG 1810 21	Seal, Fork Outer Tube	2	2	
25	DG 1810 88	Damper (Leg) Assly. RH	1	--	
	PD 1210 12	Leg Assly. RH	--	1	
26	DG 1810 09	Damper (Leg) Assly. LH	1	--	
	PD 1210 11	Leg Assly. LH	--	1	
27	DG 1810 36	Bolt	4	4	
28	DG 1810 06	Bolt Socket	2	2	
29	DG 1810 08	Bolt	2	2	
30	DG 1810 25	Bolt Fork Top	2	2	
30A	DG 1810 26	O-Ring	2	2	
31	DP 1611 44	Plate Number Front	1	1	
32	DG 1810 41	Clamp S' cable clamp	1	1	
34	36 3140 04	Front Fork oil Bottle 160ml	1	1	
35	DG 1810 40	Clamp	2	2	
36	PD 1210 06	Bellow	--	2	
37	PD 1210 14	Clamp Bellow	--	2	
38	DG 1810 28	Cylinder Complete Fork	2	2	
39	DG 1810 99	Bracket Number Plate Front	1	1	

Fuel Tank



No.	Part No.	Description	Cruise	Street	Remarks
			Qty.	Qty.	
1	DG 1410 20	Bracket Fuel Tank Cover	1	1	
2	JM 1410 02	Cover Assly. Fuel Tank	1	--	
	PD 1710 08	Cover Assly. Fuel Tank	--	1	
3	DJ 1410 56	Fuel Cock Assly.	1	1	
4	DG 1410 52	Cap Tank Fuel	1	--	
	PD 1716 01	Cap Tank Fuel	--	1	
	PD 1716 07	Cap Tank Fuel	1	--	BS IV
	PD 1716 12	Cap Tank Fuel	--	1	BS IV
5	DG 1410 59	Trim	1	1	
6	39 2179 24	Washer	2	2	
7	PD 1710 03	Collar	2	2	
8	DG 1410 28	Clamp	1	1	
9	DG 1410 43	Clamp, Tube	1	1	
10	30 1410 31	Ring 'O'	2	2	
11	30 1410 39	Ring 'O' Fuel Tap Packing	1	1	
12	DG 1410 24	Plug	2	2	
13	DG 1410 25	Damper	2	2	
14	30 1410 26	Damper Fuel Tank	2	2	
15	DG 1410 19	Damper	2	2	
16	DG 1410 26	Bolt	2	2	
17	DG 1410 29	Tube	1	1	
18	DG 1410 27	Washer	2	2	
19	39 1912 04	Bolt Flanged	2	2	
20	39 1913 04	Bolt Flanged	2	2	
21	39 0761 01	Screw Pan Cross	2	2	
22	PD 4026 06	Fuel gauge (Meter)	1	1	

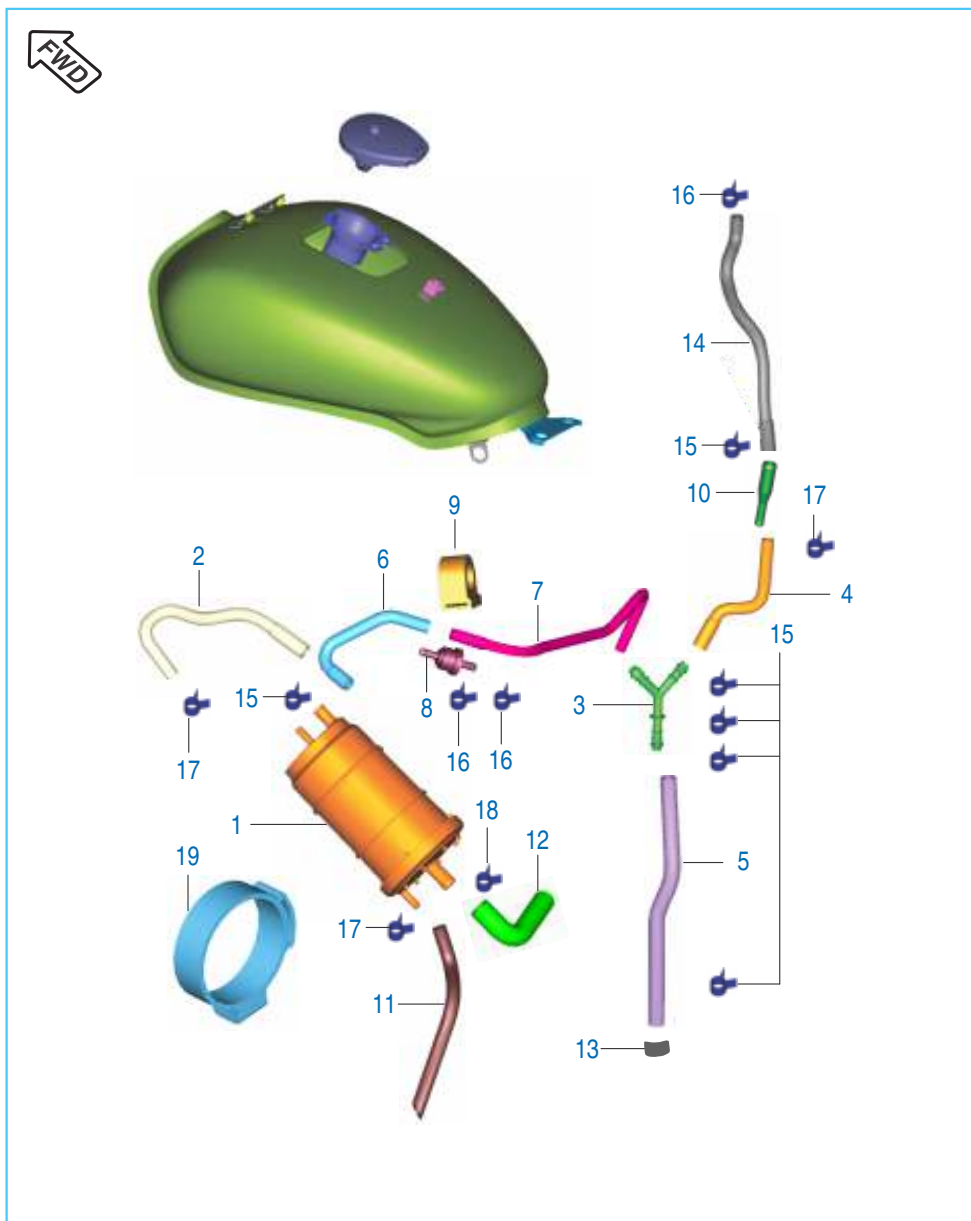
Fuel Tank



No.	Part No.	Description	Cruise	Street	Remarks
			Qty.	Qty.	
	PD 4026 09	Fuel Gauge & Tell Tale Indicator	1	1	
23	PD 4026 04	Fuel Gauge Tank Unit	1	1	
	PD 4026 07	Fuel Gauge Tank Unit	1	1	BS IV
24	30 1410 28	Gasket Tank Unit	1	1	
25	30 1410 32	Bolt for tank Unit	4	4	
26	DJ 1410 06	Fuel Cock Tube	1	1	
27	30 1410 15	Clip for Tube	1	1	
28	PA 4010 18	LED Bulb	4	4	N.I.
29	GF 2010 50	Bulb 12V, 1.7 W	1	1	N.I.
30	PD 1710 23	Damper Tank Resting Central	1	1	BS IV

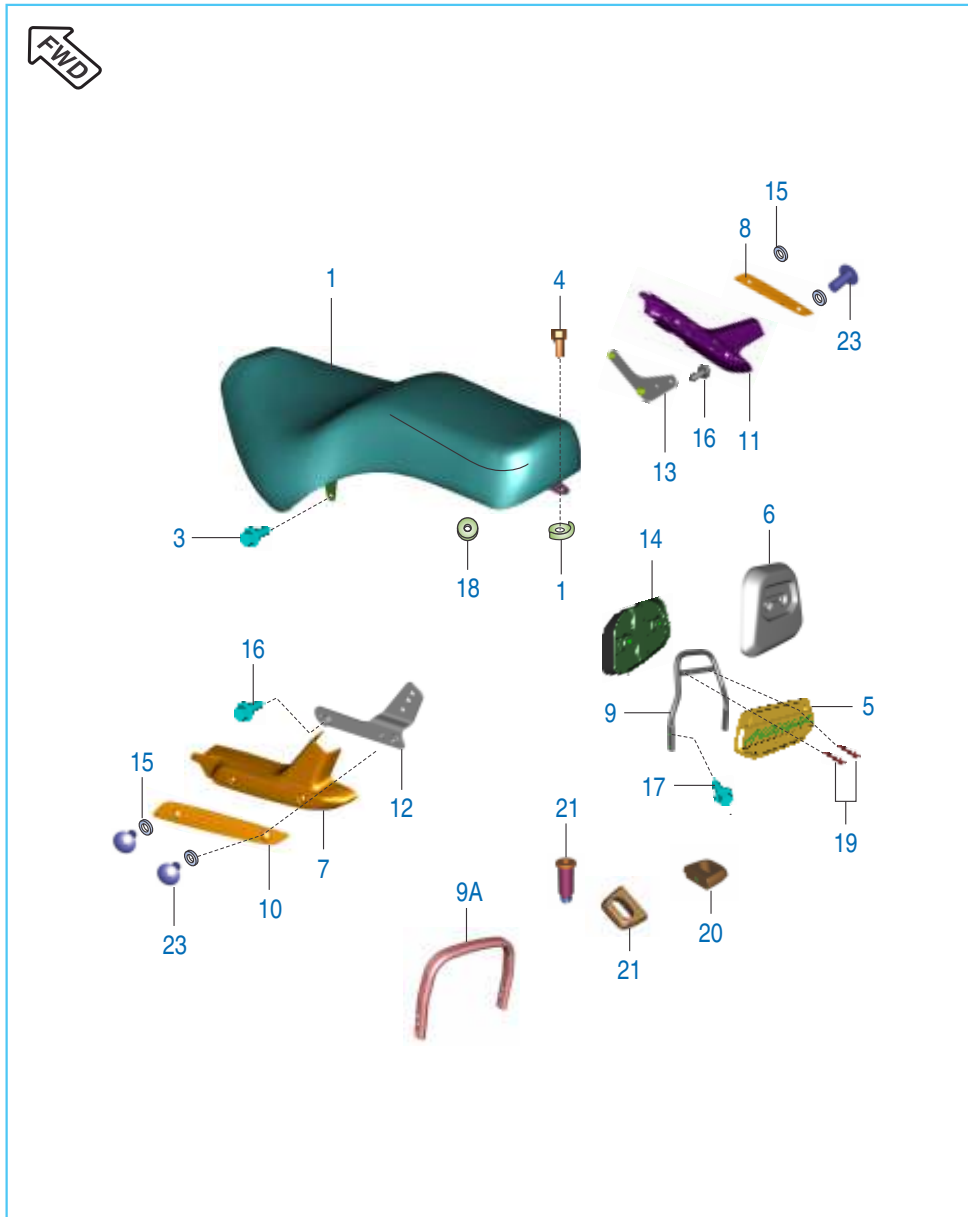


EVAP Mechanism



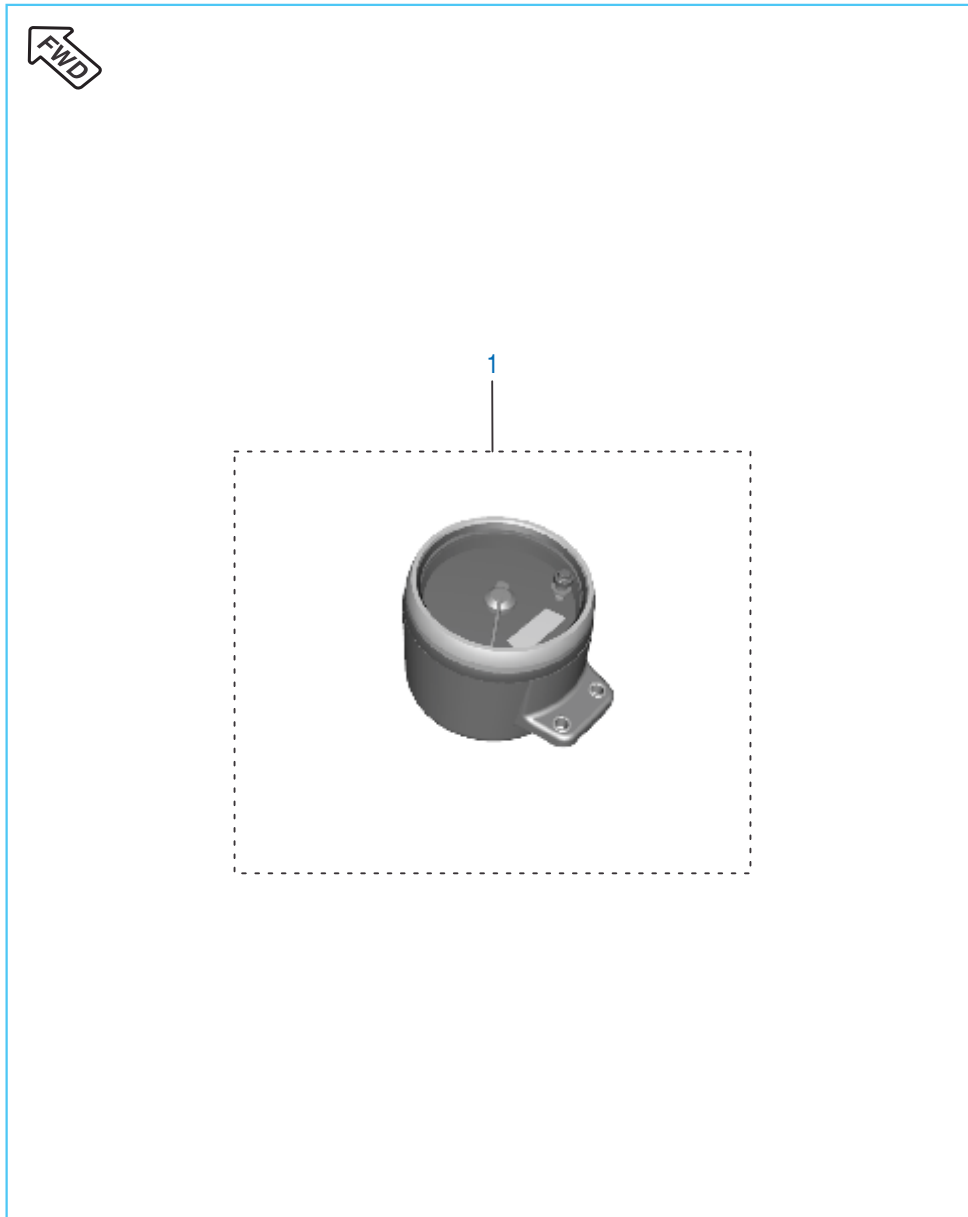
No.	Part No.	Description	Cruise	Street	Remarks
			Qty.	Qty.	
1	PF 1710 30	Canister	1	1	
2	PD 1716 04	Tube Y Connector To Canister	1	1	
3	JY 1138 42	Connector Y Shape	1	1	
4	PD 1716 03	Tube Inline Connector To Y Con.	1	1	
5	PD 1716 11	Tube Y to Drain	1	1	
6	PD 1716 05	Tube Canister to Purge Valve	1	1	
7	PD 1716 06	Tube Purge Valve To Carburettor	1	1	
8	PD 1716 16	Valve Purge	1	1	
9	JH 1710 48	Grommet Purge Valve	1	1	
10	JG 1710 86	Connector Tube EVAP	1	1	
11	JH 1710 25	Tube Canister Drain	1	1	
12	PD 1716 09	Tube Canister Breather	1	1	
13	JY 1718 25	Plug Fuel Drain	1	1	
14	PD 1716 02	Tube Tank To Inline Connector	1	1	
15	JY 1710 90	Spring Band Clamp 13x12	6	6	
16	JG 1710 29	Spring Band Clip 10 Mm	3	3	
17	JY 1710 70	Spring Band Clamp 9 X8.4	3	3	
18	DG 1210 40	Spring Band Clamp 15x10	1	1	
19	PD 1138 02	Strap Canister Mounting	1	1	

Seat, Grip Frame Rear & Cover Grip Frame



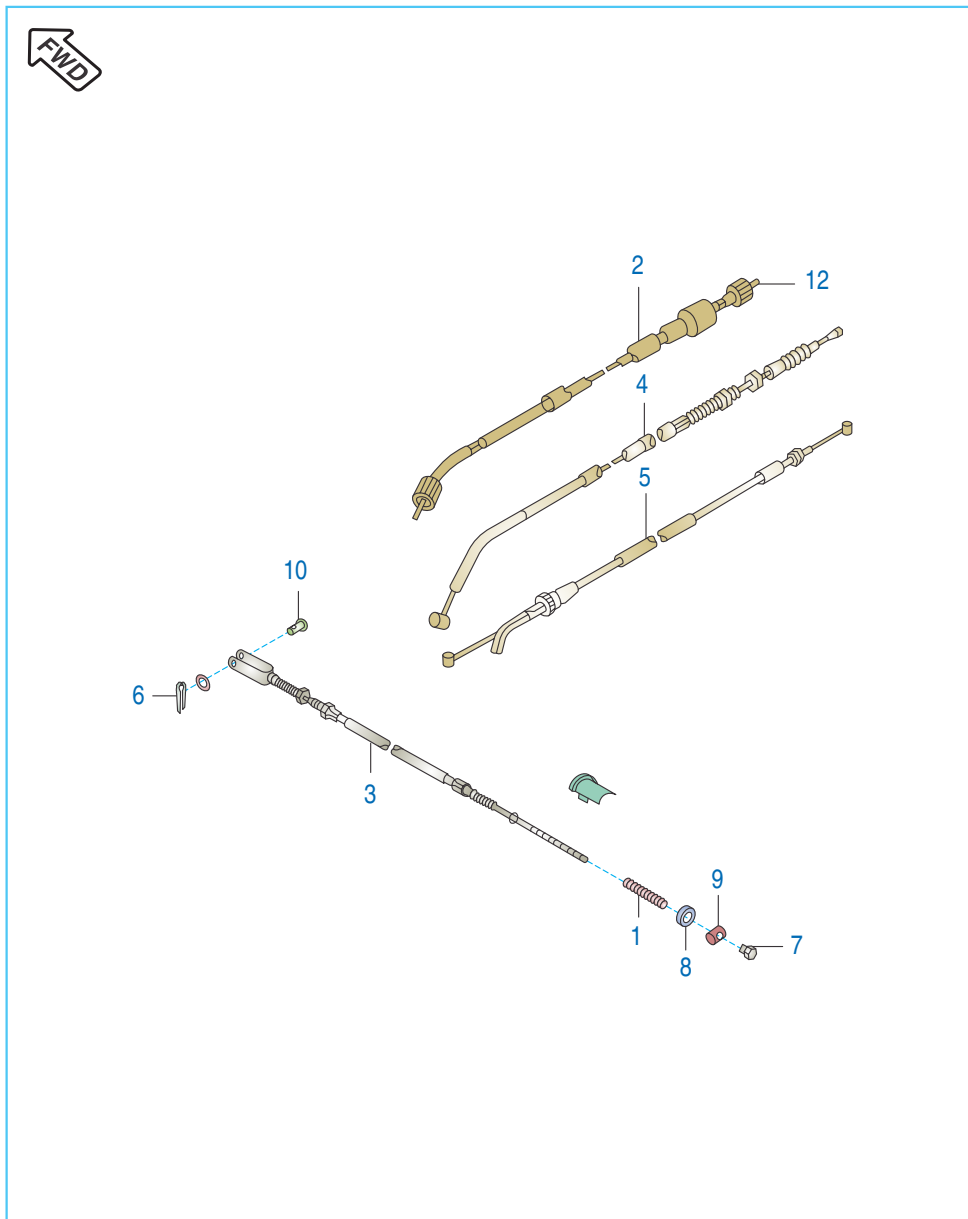
No.	Part No.	Description	Cruise	Street	Remarks
			Qty.	Qty.	
1	PD 1910 00	Seat Assly.	1	--	
	PD 1910 02	Seat Assly.	--	1	
	52 PD02 86	Seat Assly. Desert Gold	1	--	
2	PD 1910 01	Washer Nylon	1	1	
3	39 1942 04	Bolt Flanged	2	2	
4	39 1949 04	Bolt Flanged Small	1	1	
5	PD 2314 10	Emblem Back Rest	1	--	
6	PD 2314 07	Cover, Pad	1	--	
7	PD 1812 04	Cover Grab Rear LH	1	--	
	PD 1812 12	Cover Grab Rear LH	--	1	
8	PD 2314 09	Side Plate Grip RH	1	--	
	PD 1812 15	Side Plate Grip RH	--	1	
9	PD 2314 00	Grab Rear	1	--	
9A	PD 2314 01	Grab Rear	--	1	
10	PD 2314 08	Side Plate Grip LH	1	--	
	PD 1812 14	Side Plate Grip LH	--	1	
11	PD 1812 05	Cover Grip Rear RH	1	--	
	PD 1812 13	Cover Grip Rear RH	--	1	
12	PD 2314 02	Grip frame LH	1	1	
13	PD 2314 03	Grip frame RH	1	1	
14	DG 2210 27	Pad seat	1	--	
15	KD BA06 13	Washer Plain	4	4	
16	39 1952 04	Bolt flanged Small	4	4	
17	39 1951 04	Bolt flanged	4	4	
18	DG 2110 06	Seat Damper	1	1	Deleted
19	DG 2210 41	Screw emblem	2	--	
20	PD 2314 11	Cap Grab Rail RH	1	1	
21	PD 2314 04	Cap Grab Rail LH	1	1	
22	PD 2314 12	Nail	4	4	
23	KB UA06 16	Screw Truss	4	--	
	KB UF06 14	Screw Truss	--	4	
24	52 PD02 87	Grab Rear Assembly Desert Gold	1	--	

Speedometer



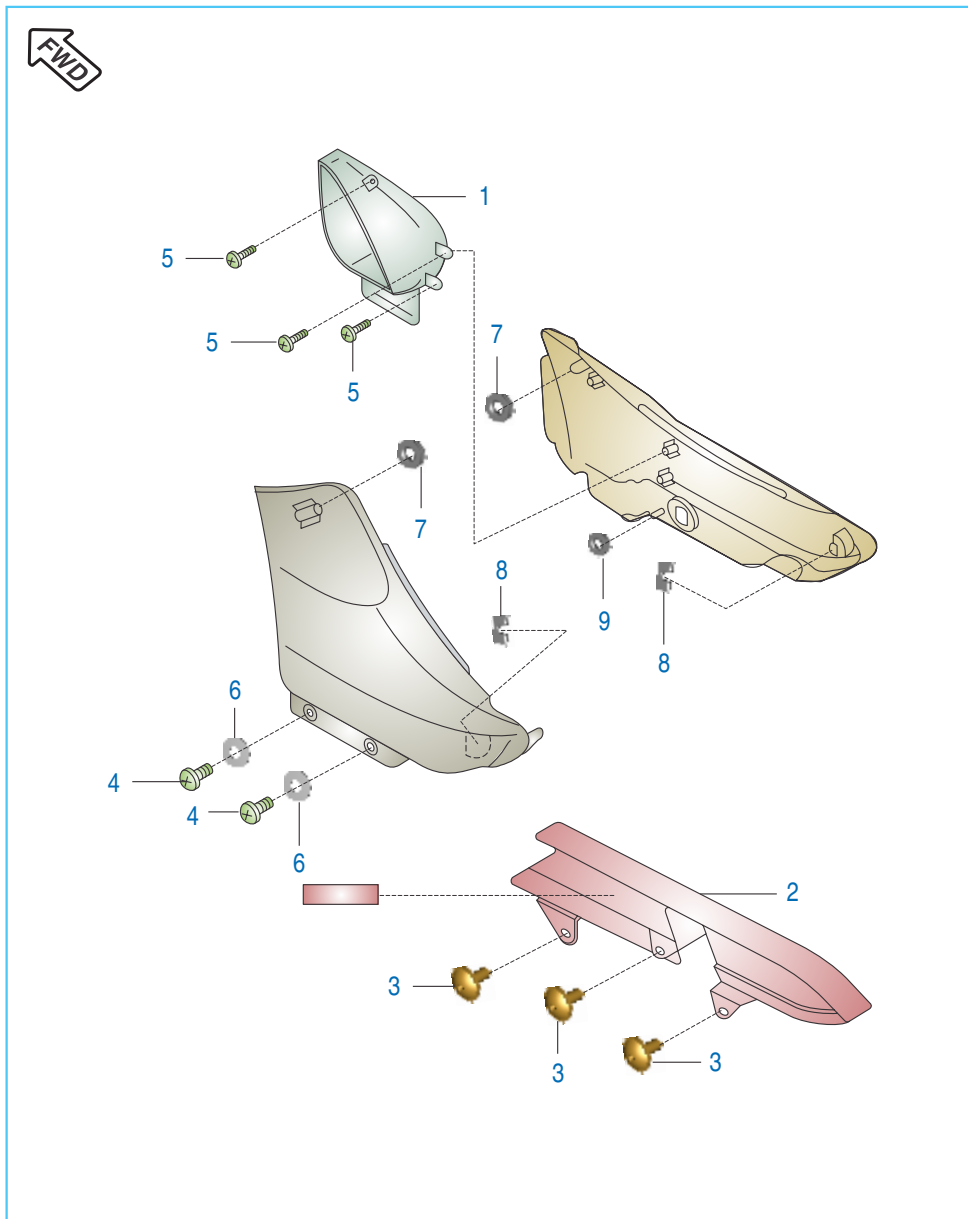
No.	Part No.	Description	Cruise	Street	Remarks
			Qty.	Qty.	
1	PD 4024 01	Meter Assly.	1	--	
	PD 4024 05	Meter Assly.	--	1	
2	DV 1810 08	Bracket Speedo	1	1	N.I.
3	39 1953 04	Bolt	2	2	N.I.

Cables



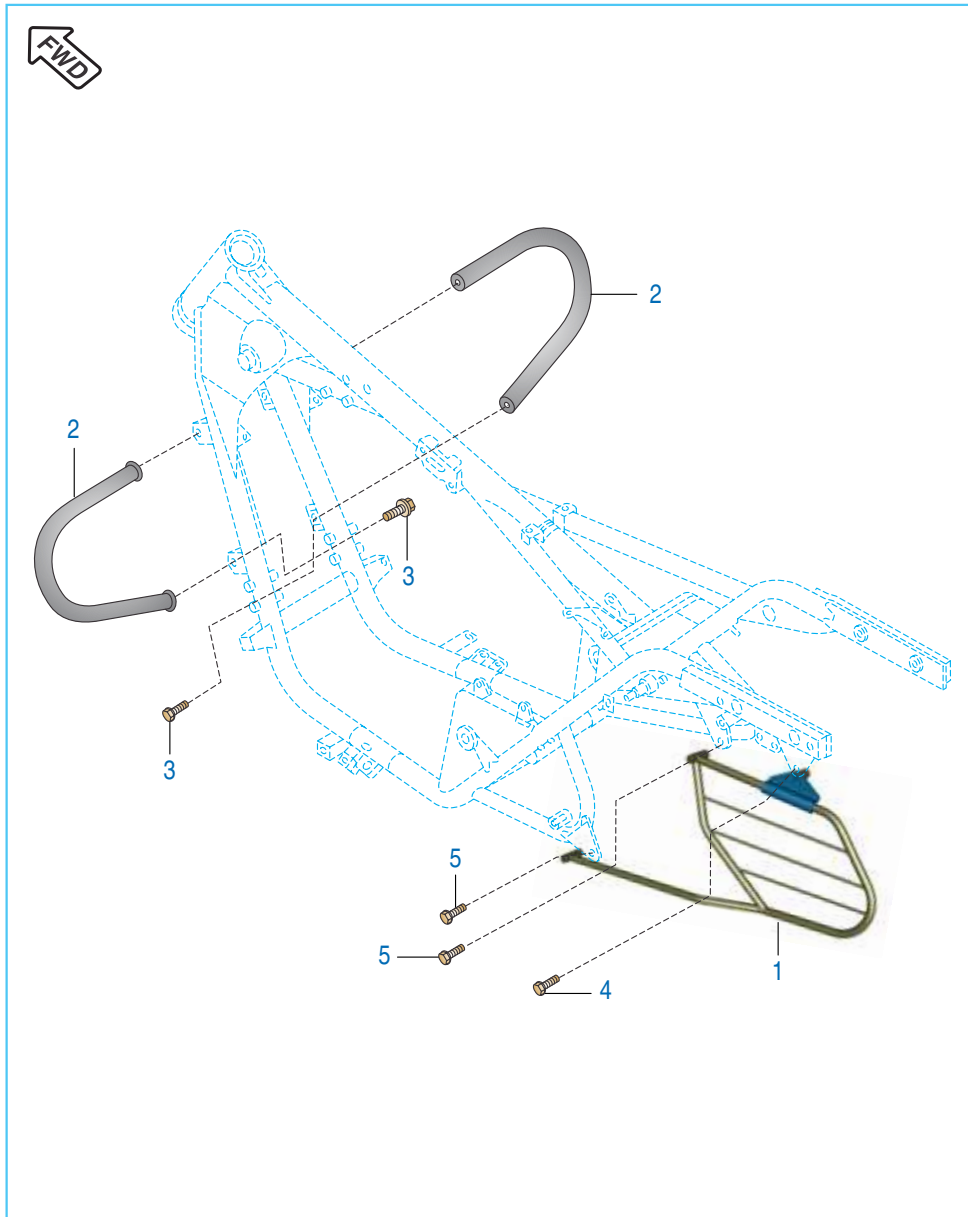
No.	Part No.	Description	Cruise	Street	Remarks
			Qty.	Qty.	
1	30 1910 35	Spring, Brake Rod	1	1	
2	DK 2010 98	Cable- Speedometer	1	1	
3	JM 1910 13	Cable Brake	1	1	
4	PD 1612 03	Cable Clutch	1	--	
	DV 1910 02	Cable Clutch	--	1	
5	DV 1910 04	Cable Throttle	1	--	
	PD 1612 04	Cable Throttle	--	1	
6	39 0146 08	Pin Cotter	1	1	
7	30 1910 36	Nut Brake Rod	1	1	
8	39 1211 11	Washer Plain	1	1	
9	DG 1910 50	Pin Brake Rod	1	1	
10	DG 1910 51	Pin	1	1	

Side Covers & Chain Cover



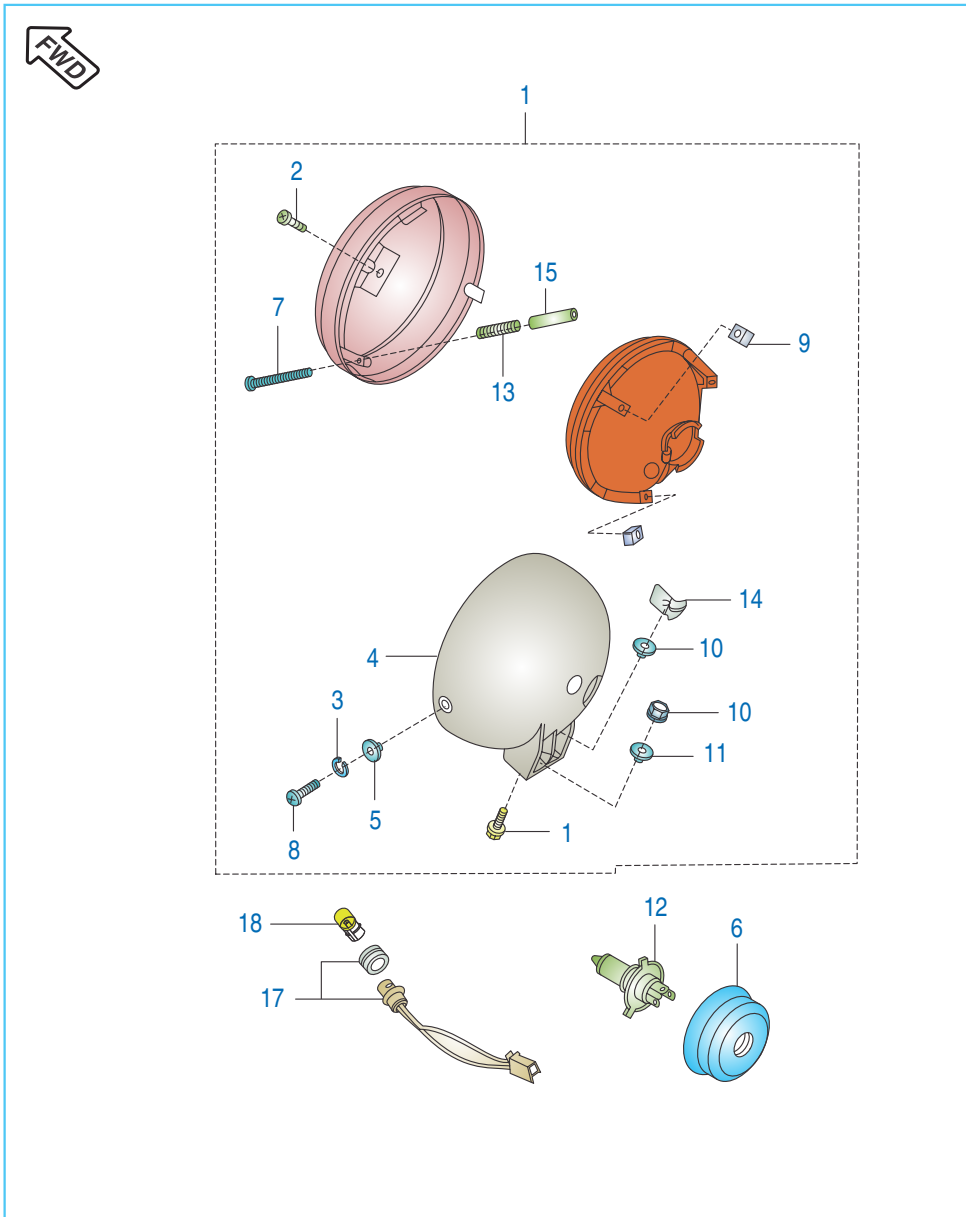
No.	Part No.	Description	Cruise	Street	Remarks
			Qty.	Qty.	
1	DG 1612 20	Cover Side RH Front	1	1	
2	DG 1611 20	Case Chain	1	1	
3	DG 1611 21	Screw Tapping	3	3	
4	39 1076 01	Screw	2	2	
5	DG 1611 17	Screw	3	3	
6	31 1610 78	Washer	2	2	
7	DG 1611 18	Grommet	2	2	
8	DD 1610 22	Damper	2	2	
9	DG 1612 25	Damper	1	1	

Guards



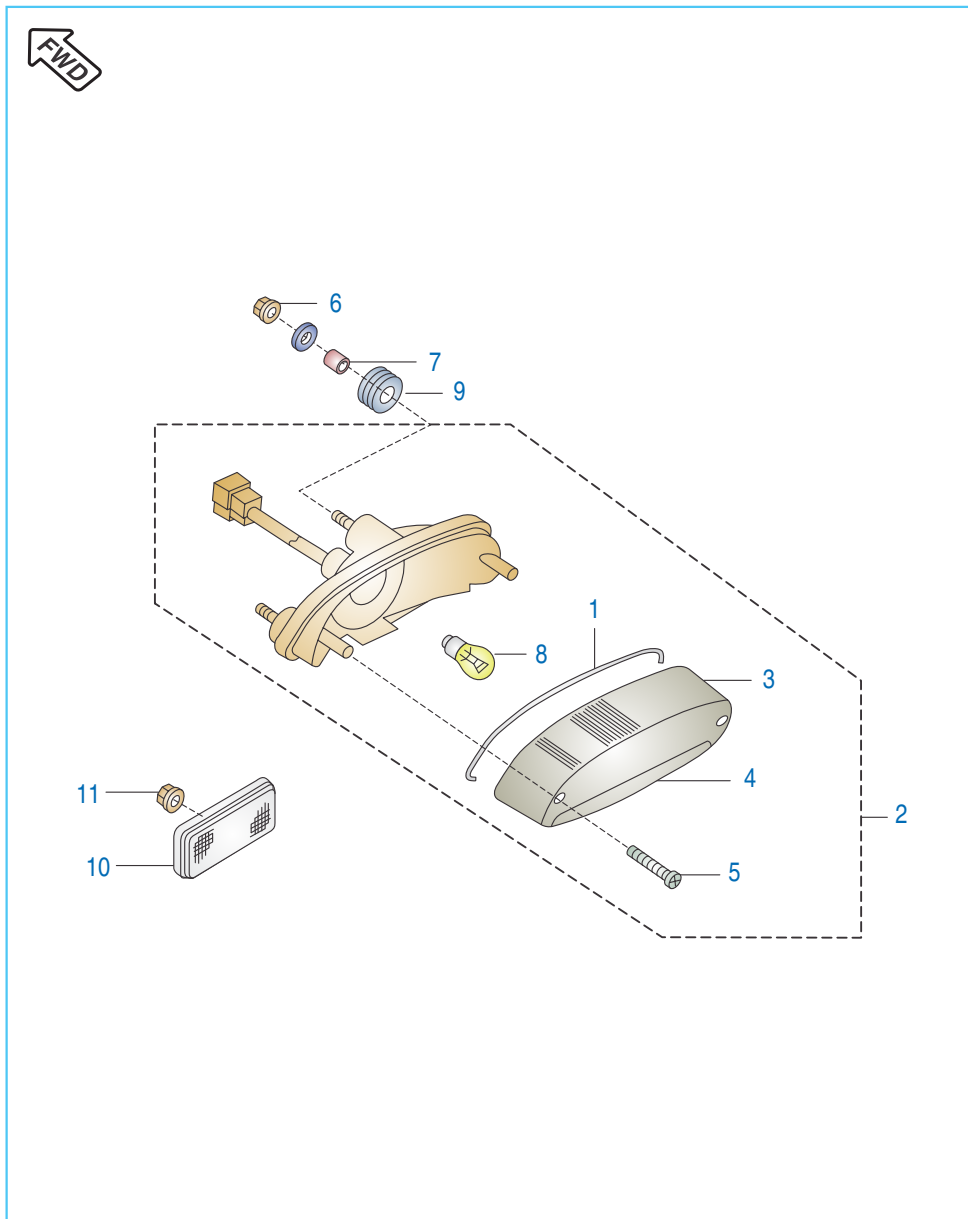
No.	Part No.	Description	Cruise	Street	Remarks
			Qty.	Qty.	
1	PD 2312 01	Guard Sari	1	1	
2	JM 1610 17	Guard- Front Bumper	2	--	
	PD 2312 02	Guard- Front Bumper	--	2	
3	39 1940 04	Bolt Flanged	4	4	
4	KA DU08 40	Bolt Flanged	1	1	
5	KA DU08 55	Bolt Flanged M8	2	2	

Head Light



No.	Part No.	Description	Cruise	Street	Remarks
			Qty.	Qty.	
1	YP D010 07	Head lamp Without Bulb	1	--	
	YP D020 02	Head lamp Without Bulb	--	1	
2	DG 2010 66	Screw Pan Cross	1	1	
3	39 0790 12	Spring Washer	2	2	
4	YP D010 05	Head Lamp Housing - Lumax	1	--	
	YP D030 01	Head Lamp Housing - Lumax	--	1	
5	30 2010 33	Washer	2	2	
6	YP D010 09	Cap for Head lamp-Lumax	1	1	
7	DG 2010 69	Screw Focus Adjust	2	2	
8	DG 2010 43	Screw	2	2	
9	DG 2010 70	Nut	1	1	
10	DG 1910 64	Nut Flanged	1	1	
11	DG 2010 57	Collar	2	2	For Head Light Mtg.
12	PD 4010 14	Bulb H4 Blue Tinge- 55/60W	1	1	
13	DG 2010 72	Spring Focus Adjust	2	2	
14	DG 2010 12	Clamp Harness	1	1	
15	DG 2010 73	Tube	2	2	
16	39 2029 04	Bolt Flanged	2	2	
17	YP D010 08	Harness Head Lamp-	1	1	
18	30 2010 29	Lamp 12V - 4W	1	1	

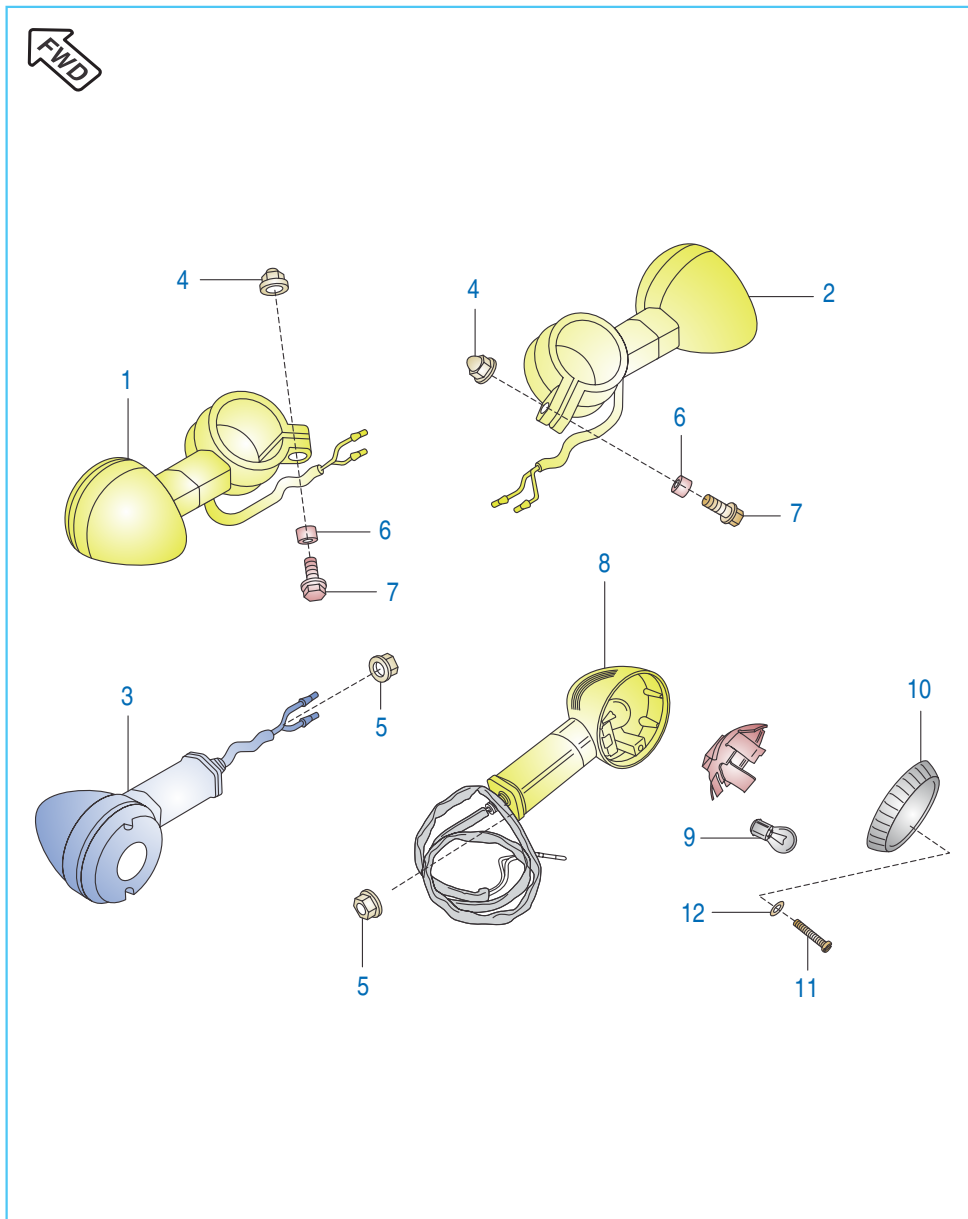
Tail Light & Reflector Reflex



No.	Part No.	Description	Cruise	Street	Remarks
			Qty.	Qty.	
1	DG 2010 75	Gasket Tail Lamp Lens	1	1	
2	PD 4010 01	Tail Lamp Assly.	1	1	
3	DG 2010 49	Lens Tail Lamp- Red	1	1	
4	DG 2010 50	Lens Tail Lamp- Clear	1	1	
5	DG 2010 76	Screw Tapping	2	2	
6	DG 1910 64	Nut Flanged	3	3	
7	31 2010 01	Collar	3	3	
8	AA 2012 27	Lamp 12V - 21/5W	1	1	
9	DG 2010 15	Damper	3	3	
10	JG 4010 36	Reflector Reflex	1	1	
11	39 1972 15	Nut Flanged	1	1	

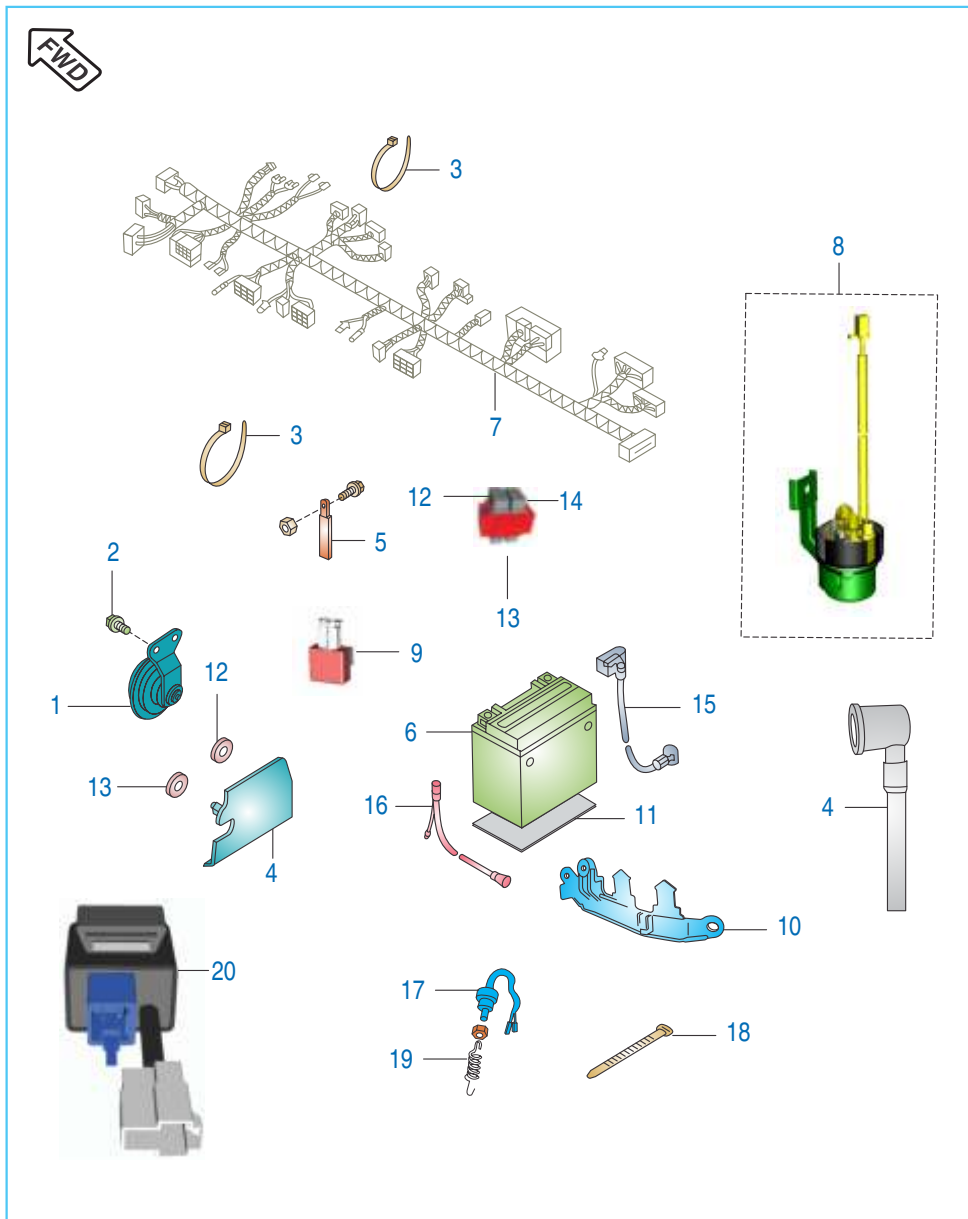


Indicator Light



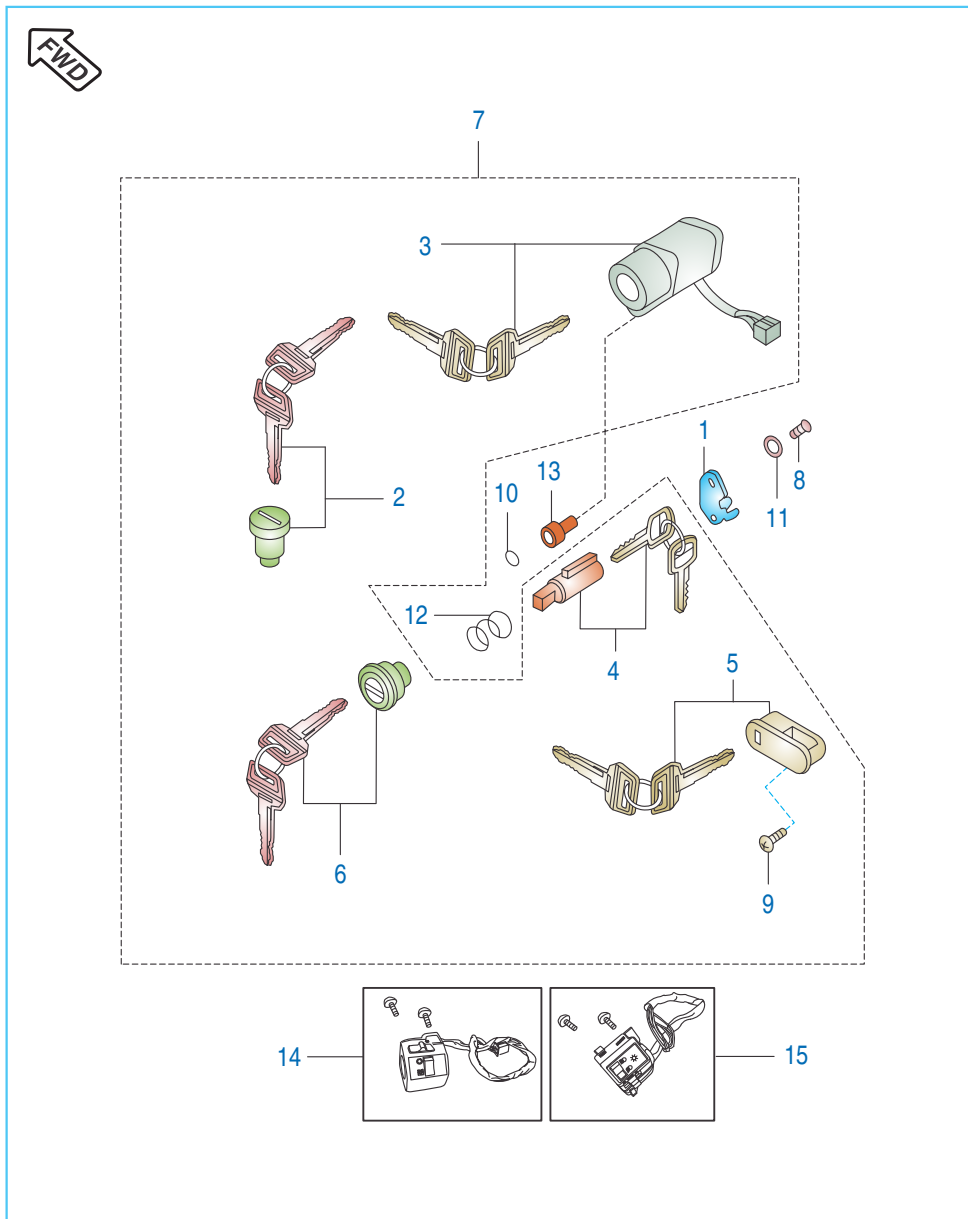
No.	Part No.	Description	Cruise	Street	Remarks
			Qty.	Qty.	
1	PD 4010 08	Indicator Assly FR. LH	1	--	
	PD 4010 04	Indicator Assly FR. LH	--	1	
2	PD 4010 09	Indicator Assly FR. RH	1	--	
	PD 4010 05	Indicator Assly FR. RH	--	1	
3	PD 4010 10	Indicator Assly Rear. LH	1	--	
	PD 4010 06	Indicator Assly Rear. LH	--	1	
4	39 1971 15	Nut Cap	2	2	
5	39 1225 15	Nut Flanged	2	2	
6	31 2010 01	Collar	2	2	
7	39 1950 04	Bolt Flanged Small	2	2	
8	PD 4010 11	Indicator Assly Rear RH	1	--	
	PD 4010 07	Indicator Assly Rear RH	--	1	
9	GF 2010 12	Lamp 12V-10W	4	4	
10	YP D010 10	Lens Signal Light	4	4	
11	DG 2010 77	Screw Signal Light	8	8	
12	DG 2010 78	Washer Signal Light Light	8	8	

Electrical Equipment



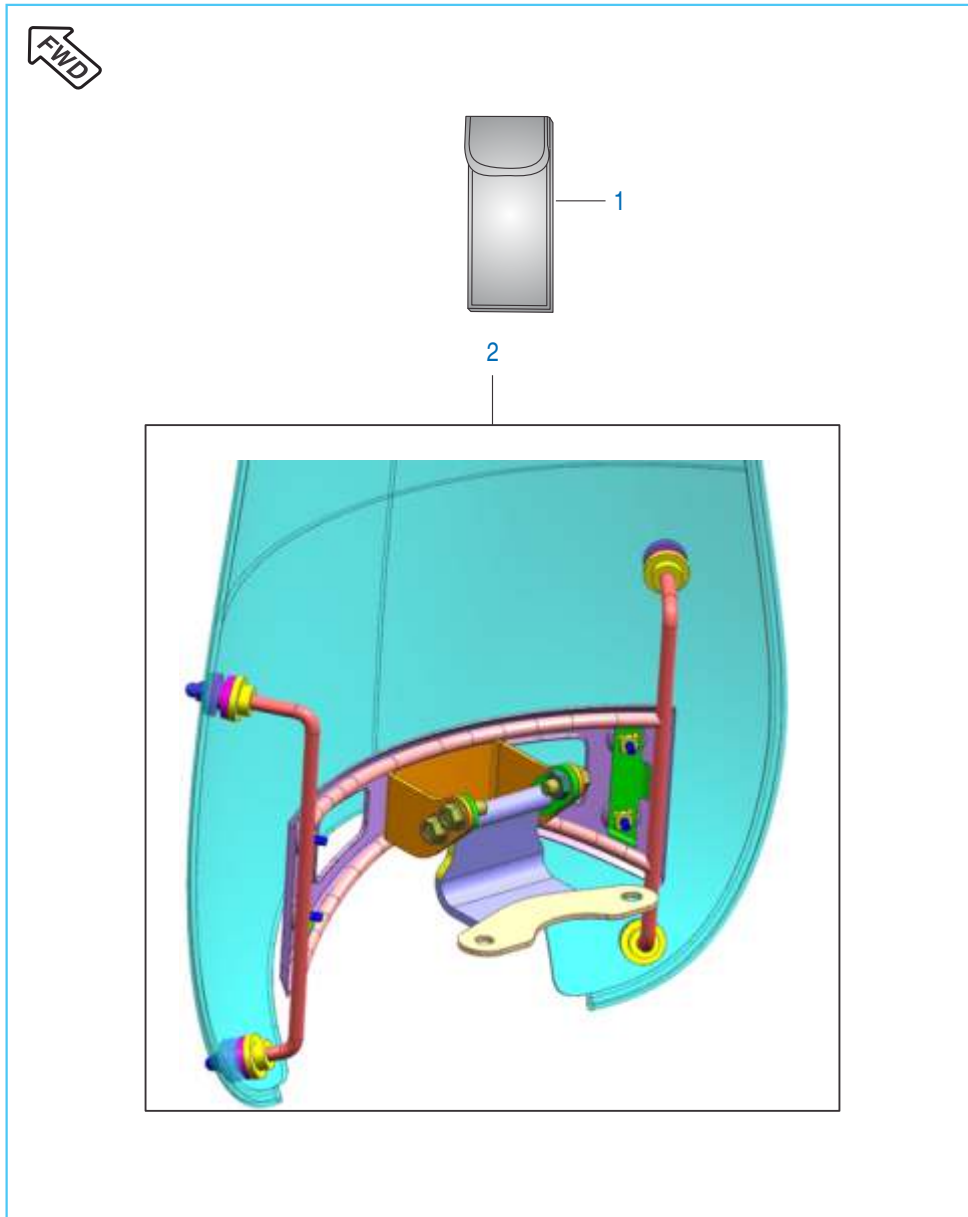
No.	Part No.	Description	Cruise	Street	Remarks
			Qty.	Qty.	
1	PD 4016 02	Horn	1	--	
	PD 4016 01	Horn	--	1	
2	39 1912 04	Bolt Flanged	2	2	
3	30 1910 48	Band	2	2	
4	JM 2010 32	Battery adapter with Drain Tube	1	1	
5	31 2010 21	Clamp wiring harness	1	1	
6	DJ 2011 25	Battery 12 V 9 Ah	1	1	
7	PD 4022 15	Wiring Harness	1	1	BS IV AHO Model
	PD 4022 27	Wiring Harness	1	1	
	PD 4014 09	Wiring Harness	1	1	
8	DV 2010 16	Starter Relay Assly.	1	1	
9	DS 2010 25	Relay Turn Signal	1	1	
10	DV 1610 36	Band Battery Bracket	1	1	
11	DG 2010 27	Mat Battery	1	1	
12	AK 2010 12	Fuse 10A	2	2	
13	DK 2010 99	Fuse assly.	1	1	
14	AP 2010 25	Fuse 15A	2	2	
15	JM 2010 12	Cable Assly. (Motor to St. Rly.)	1	1	
16	DV 2010 06	Cable Assly. (Battery to Earth)	1	1	
17	DG 2010 61	Rear Brake Switch	1	1	
18	JD 4022 17	Band (L 150)	2	2	
19	JM 1910 14	Spring Rear Brake Switch	1	1	
20	DT 4020 06	Light Control Module	1	1	AHO Model

Ignition Switch & Control Switch



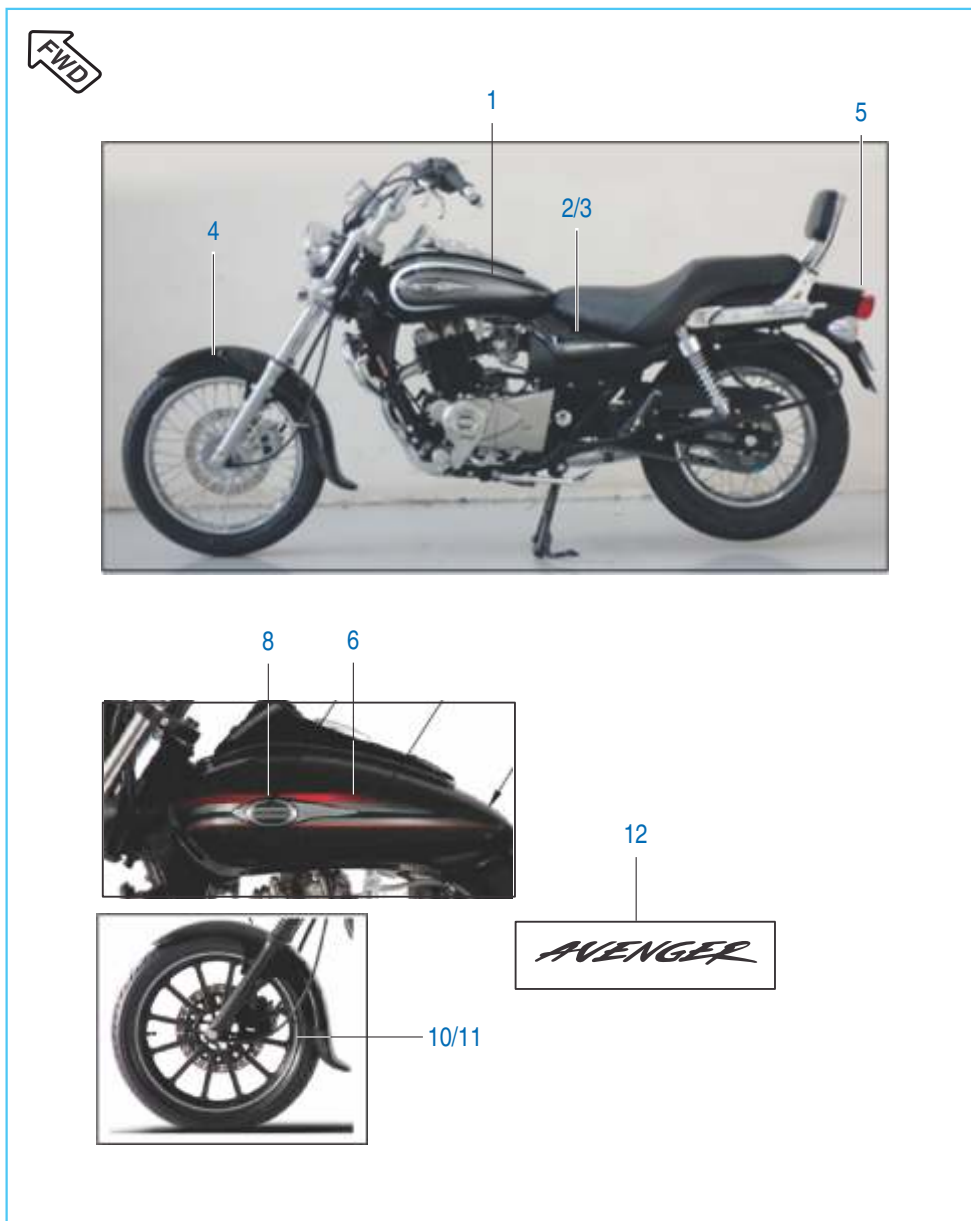
No.	Part No.	Description	Cruise	Street	Remarks
			Qty.	Qty.	
1	DG 1810 55	Cap, Steering Lock	1	1	
2	DG 1410 17	Rotor, Lock, Tank Cap	1	1	
3	PD 4014 00	Switch Assly. Ignition	1	1	
4	PD 2326 03	Lock Assly Steering	1	1	
5	DG 2210 09	Lock Assly Helmet	1	1	
6	DG 1611 68	Lock Assly Side Cover	1	1	
7	PD 2326 02	Lock Set (5 in 1)	1	1	
8	DG 1810 57	Screw	1	1	
9	DG 2210 10	Screw	1	1	
10	DG 2010 23	Plug	1	1	
11	DG 1810 58	Washer Wave	1	1	
12	DG 1810 59	Spring Steering Lock	1	1	
13	39 1975 04	Bolt Socket	1	1	
14	PD 4014 10	Control Switch LH	1	--	
	PD 4014 04	Control Switch LH	--	1	
15	PD 4014 11	Control Switch RH	1	--	
	PD 4014 01	Control Switch RH	--	1	
16	DG 2010 30	Clutch Switch	1	1	
17	DJ 2011 09	Front Brake Switch	1	1	

Tool Kit



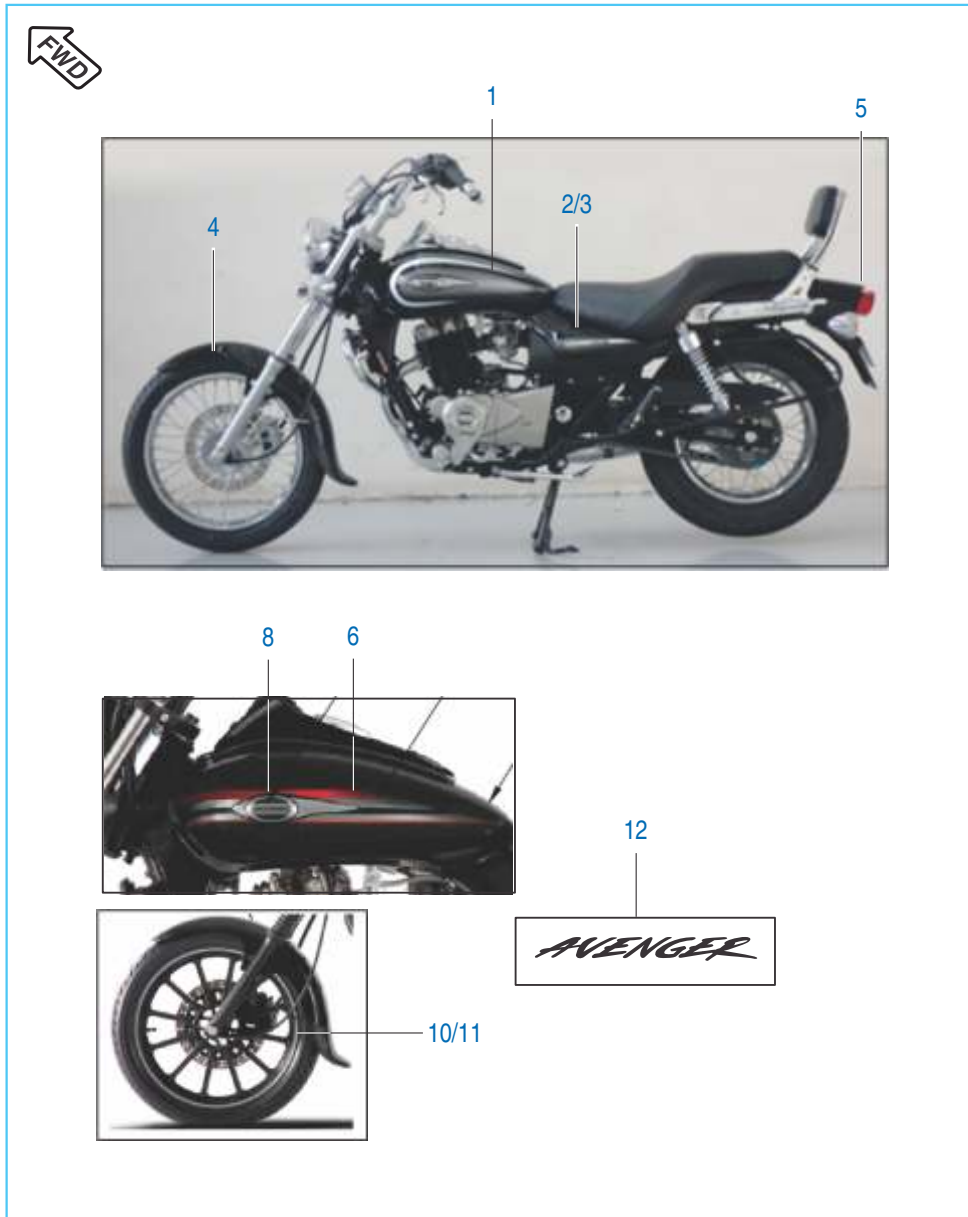
No.	Part No.	Description	Cruise	Street	Remarks
			Qty.	Qty.	
1	JM 2210 03	Tool Kit	1	1	
2	52 JM00 18	Wind Shield Kit	1	1	
3	JM 1810 01	Bolt	4	4	

Painted Parts and Decals



No.	Part No.	Description	Cruise	Street	Remarks
			Qty.	Qty.	
1	52 PD01 44	Tank fuel with decal	1	--	Ebony Black BS IV
	52 PD03 77	EB Fuel Tank With 3D Decal	1	--	
	52 PD02 72	Tank fuel with 3D decal	1	--	
	52 PD03 76	Tank Golden Beige Fuel	1	--	
	52 PD01 60	Tank fuel with decal	--	1	
	52 PD03 78	PD Fuel Tank Matt Olive Green	--	1	
	52 PD03 81	Matt Blk Met Fuel Tank + 3D	--	1	
	52 PD03 82	PD Fuel Tank	--	1	
2	52 PD01 40	Cover side left with decal	1	--	Ebony Black Matt Black
	52 PD01 61	Cover side left with decal	--	1	
	52 PD02 73	Cover side left with decal	1	--	
	52 PD03 29	Cover side left assly. comp.	--	1	
3	52 PD01 41	Cover side right with decal	1	--	Ebony Black Matte Black
	52 Pd01 62	Cover side right with decal	--	1	
	52 PD02 74	Cover side right with decal	1	--	
	52 PD03 30	Cover side left assly. comp.	--	1	
4	52 PD00 88	Fender assly. Front-Black	1	--	Ebony Black Matte Black
	52 PD01 66	Fender assly. Front-Black	--	1	
	52 PD02 66	Fender assly. Front-Gold	1	--	
5	52 PD01 56	EB Black Rear Fender With Decal	1	--	Ebony Black Matte Black
	52 PD01 56	Fender rear	--	1	
	56 PD06 P6	Fender rear	1	--	
6	36 PD00 24	Kit Tank Decal	1	--	Ebony Black Matte Black
	36 PD00 16	Kit Tank Decal	--	1	
	36 PD00 58	Kit Tank Decal	1	--	
	36 PD00 64	Kit Tank Decal	--	1	
7	36 PD00 27	Kit Side Cover Dcl	1	--	Ebony Black Matte Black
	36 PD00 18	Kit Side Cover Dcl	--	1	

Painted Parts and Decals



No.	Part No.	Description	Cruise	Street	Remarks
			Qty.	Qty.	
8	PD 2330 02	3D Decal Tank LH	-	1	
	PD 2330 37	3D Decal Tank LH	1	-	
	PD 2330 03	3D Decal Tank RH	-	1	
	PD 2330 38	3D Decal Tank RH	1	-	
9	PD 2330 22	Decal Rear Fender Center	--	1	N.I.
9A	PD 2330 20	Decal Front Fender Center	--	1	N.I.
10	PD 2330 30	Decal Rim Front	-	1	
11	PD 2330 31	Decal Rim Rear	-	1	
12	PD 2330 01	Avenger Branding Holder Handle	1	1	
13	PD 2330 57	Decal Cover Side LH	-	1	Matte Green
14	PD 2330 58	Decal Cover Side RH	-	1	Matte Green

Consumable Parts



No.	Part No.	Description	Supply Unit	Application
1	36 0010 61 83 0204 11 83 0203 34	Bajaj Genuine Oil 10W50 Bajaj Genuine Oil 10W30 Bajaj Genuine Oil 20W50 (BGO to be ordered to HPCL)	1.5 Ltr. 1 Ltr. 1 Ltr.	Dominar 400 100cc Models 125cc and above models
2	36 0010 58	Bajaj Coolant Koolex	1 Ltr.	Coolant Top-up/Replace
3	36 DH40 61 83 0203 25	Brake Fluid DOT4 Brake Fluid DOT3	100 ml 100 ml	Disc Brake Top-up/Replace Disc Brake Top-up/Replace
4	36 0010 52	Silicon grease	3 gm	Caliper Pin
5	83 0204 73 83 0203 68	Grease Petamo GHY 441 Grease Molycoat	3 gm 200 gm	Water Pump Seals For Starter Clutch Lubrication
6	36 0010 52	HP Lithon RR Grease	10 gm	Steering Race
7	83 0201 73	Multi Purpose Grease (Local Purchase)	--	Lubrication of Clutch Lever, Brake Lever, Brake Pedal & Side Stand
8	36 0010 55	Chain Lubricant HP Make	1 kg	Non - Sealed Chain Lubrication
9	36 0010 62	Liquid gasket L5910	50 ml	Crankcase Joining
10	36 3140 04	Fork oil	160 ml	Front Fork Top-up/Replace\
11	36 DH40 29	Kit Spray Chain Lub	100 ml	Sealed Drive Chain
12	36 DH40 71	Wonderfill Chain Spray	100 ml	Sealed Drive Chain

Consumable Parts

13		14		15	
16		17		18	
19		20		21	
22		23		24	

No.	Part No.	Description	Supply Unit	Application
13	36 DH40 72	Rust Remover Spray Make - Zorric 88 & Wonder fill easiner	100 ml	For Removing Rust from Components
14	76 0109 36	Loctite Thread locker 243	50 ml	For Screws & Bolts
15	76 0109 37	Loctite retaining compound 638	50 ml	For Screws & Bolts
16	37 0043 52	Touch up paint slate grey	440 ml	Touch up of Frame, Swing Arm & Step Holder
17	37 0043 53	Touch up paint Matte Silk black	440 ml	Touch up of Grab Handle, Handle Bar & Handle Holder
18	36 0010 60	Kibatsu touch up paint	400 cc	Touch up of Cylinder head, Block & Alloy Wheels
19	37 2240 18	Paint Bottle Schwartz Black	--	P-200NS Frame Touch-up
20	75 6802 36 NA	Petroleum Jelly (Local Purchase) Distilled Water (Local Purchase)	-- 1 Ltr.	For Battery Terminals For Battery Level Top-up
21	NA	SAE 90 oil (Local Purchase)	-	
22	62 3050 84	WD40 Spray (Local Purchase)	400 ml	Electrical Contact Cleaning Spray
23	36 0010 56	Carburetor Cleaning Spray		For Cleaning Carburetor
24	37 2540 39	Corrosion Protection Spray Proto quick LTP902 (To be ordered on Vendor)	--	For Preventing vehicle parts from rusting



# Kit List



Sr No	Kit Part No.	Kit Description	Consisting of Following Parts		
			Part No.	Description	Qty/Kit
1	36PD0016	Tank DCL-BL Metallic-A101	PD233024	Tank Decal RH (Matte Black Metallic)	1
			PD233023	Tank Decal LH (Matte Black Metallic)	1
			PD233028	Decal Tank Center (Matte Black Metallic)	1
2	36PD0018	S Cover DCL BL Metallic-A101	PD233025	Side Cover Decal LH (Matte Black Metallic)	1
			PD233026	Side Cover Decal RH (Matte Black Metallic)	1
3	52 DK02 03	Kit Assly Magneto Cover	DK101767	COVER MAGNETO MOONLIGHT-SF	1
			DG101418	GAUGE	1
			JE541212	DECAL MAGNETO COVER	1
4	36PD0020	Assly Cl Cover-A101	PD541235	Clutch Cover	1
			DK101738	Decal Cover RH	1
			39199020	Bearing - Needle	1
			39104119	Seal Oil	1
			31101060	Plug	2
5	36PD0021	Chain Sprocket-A101	PD131200	Sprocket (36 T)	1
			DT141005	Chain 110 Link	1
			DV101048	Sprocket (14 T)	1
6	36PD0014	Assly C'case RH-A101	PD541018	Crankcase RH (JC)	1
			59050002	Stud Bolt (M10)	1
			39258320	Bearing Ball6004-SKF	1
			59200027	Bearing NRB HK 1516 (15*21*16)	1
			39260120	Bearing Ball	1
			39215220	Needle Roller Bearing	1
7	36PD0013	Assly C'case LH-A101	PD541017	Crankcase LH	1
			CB101220	Plug	1
			59050002	Stud Bolt (M10)	1
			39260320	Ball Bearing	1
			59200006	BRG Ball 6204Z HN3 (20*47*14)	1
			39218520	Deep Groove Ball Bearing	1
			30101014	Seal-Oil	1
			39219019	Oil Seal	1
			DH101203	Breather Pipe	1
8	36PD0024	Tank DCL E Black-A102	PD233010	Tank Decal 1 LH (Ebony Black)	1
			PD233011	Tank Decal 1 RH (Ebony Black)	1
			PD233012	Tank Decal 2 LH (Ebony Black)	1

# Kit List



Sr No	Kit Part No.	Kit Description	Consisting of Following Parts		
			Part No.	Description	Qty/Kit
9	36PD0027	S Cover DCL E Black-A102	PD233013	Tank Decal 2 RH (Ebony Black)	1
			PD233014	Side Cover Decal LH (Ebony Black)	1
			PD233015	Side Cover Decal RH (Ebony Black)	1
10	PD511053	Cyl Head + Cover-102B	PD511018	Cylinder Head	1
			PD511101	Cover Cylinder Head	1
11	DK101625	Block - Piston	PD521002	CYL Block	1
			DK101092	Assembly Piston	1
12	36DS1001	Cyl. Head O Ring Kit	39239121	O Ring (Cover Tappet)	2
			39128321	O ring	2
13	DK101327	Valve Kit	DK101052	Valve Intake	1
			DK101011	Valve Exhaust	1
14	DK101326	Valve Repair Kit	DK101247	Retainer Valve Spring	2
			DK101108	Spring Valve Inner	2
			DK101110	Spring Valve Outer	2
			DK101246	Seat Valve Spring	2
15	DK101330	Guide Chain Kit	DK101060	Guide Chain (Tight)	1
			DK101059	Guide Chain (slack)	1
16	36DK0007	Kit Centrifugal Oil Filter	39220011	Washer	1
			DH101234	Gasket Centrifugal Oil Filter	1
			39226701	Oval Screw	3
			DH101066	Join Oil Deliver	1
			DH101067	Spring Oil Deliver	1
			39219908	Pin Oil Deliver Joint	1
17	36DV0007	Steering Cone Kit	DG181045	Bearing Cone Upper	1
			DG181046	Bearing race Upper	1
			DG181047	Bearing race Lower	1
			DG181005	Bearing Cone Lower	1
18	DK101328	Ring Set Piston	DK101049	Top Ring	1
			DK101050	Second Piston ring	1
			DK101051	Ring Piston	1
19	36DK0038	Set Primary Drive/Driven	DK101561	Clutch Housing	1

# Kit List

Sr No	Kit Part No.	Kit Description	Consisting of Following Parts		
			Part No.	Description	Qty/Kit
20	36DK0077	KIT for Starter Clutch DK101595	DH101628	Gear Primary Drive	1
			DK101596	Spring Starter Clutch	5
21	36DK0076	KIT Starter Clutch Assly DK101595	DK101595	Body Starter Clutch	1
			DK101596	Spring Starter Clutch	5
			39084914	Washer - Lock :- Toothed	3
22	36DV0005	Kit Holder Step FR. Serviceable	DG161146	Spring - L	1
			DG161147	Spring - R	1
			DG161144	Bolt	2
			39198204	Bolt - Hexagon Socket Head :- M5	4
			39220404	Bolt - Hexagon Head With Flange :- M6	1
			39195404	Bolt - Flanged :- Small	1
			39150611	Washer - Plain	2
			39193717	Circlip	2
			DG161222	Bolt :- Pre-Coated	3
			DG161223	Bolt - Pre-Coated	1
23	36PD0030	Kit Friction Plate	DK101566	DISK A FRICTION CLUTCH	4
			PK551419	DISK C FRICTION CLUTCH	1
			DK101568	DISK B FRICTION CLUTCH	1
24	36PD0012	Kit Assly Clutch	Pd541228	CLUTCH COVER	1
			Dk101738	DECAL COVER Rh	1
			39199020	BEARING - NEEDLE	1
			39104119	SEAL OIL	1
			31101060	PLUG	2
25	52DH0169	OIL PUMP ASSEMBLY	DH121001	PUMP ASSEMBLY - OIL	1
			DH121010	MESH - FILTER :- OIL PUMP	1
			39219421	RING - O	1
			DH121035	CLIP MESH OIL FILTER	1
26	36PD0061	A101 HEAD COVER + COVER	Pd511101	COVER CYLINDER HEAD	1
			Dh101272	PLUG	2
			Pd511068	CYLINDER HEAD SAI	1
			Ds101166	SILENT BUSH	2
			39166005	STUD-M8	2

# Kit List

Sr No	Kit Part No.	Kit Description	Consisting of Following Parts		
			Part No.	Description	Qty/Kit



# Parts Index



Part Number	Figure No.	Page No.	Part Number	Figure No.	Page No.
30 1010 14	11	26	31 1210 06	9	12
30 1012 36	6	48	31 1610 78	6	96
30 1410 15	27	86	31 2010 01	7	102
30 1410 26	14	84	31 2010 01	6	104
30 1410 28	24	86	31 2010 21	5	106
30 1410 31	10	84	33 1410 08	8	6
30 1410 32	25	86	36 3140 04	34	82
30 1410 39	11	84	36 DK00 07	13	14
30 1510 05	7	68	36 DK00 38	9	14
30 1510 09	7	66	36 DK00 38	4	32
30 1510 69	16	66	36 DK00 45	17	46
30 1510 69	16	68	36 DK00 64	1	28
30 1510 76	8	66	36 DK00 65	11	74
30 1510 76	8	68	36 DK00 66	12	74
30 1510 82	12	66	36 DK00 76	1	46
30 1510 82	12	68	36 DK00 77	15	46
30 1511 13	11	62	36 DS10 01	3	2
30 1810 26	16A	80	36 DS10 01	11	4
30 1910 17	16	76	36 DV00 05	10	56
30 1910 24	15	76	36 DV00 07	4	48
30 1910 35	1	94	36 PD00 13	1	26
30 1910 36	7	94	36 PD00 14	2	24
30 1910 48	3	106	36 PD00 16	6	112
30 2010 33	5	100	36 PD00 18	7	112
31 1011 06	11	2	36 PD00 21	10	66
31 1011 06	15	26	36 PD00 21	10	68
31 1011 08	14	22	36 PD00 24	6	112
31 1011 73	4	14	36 PD00 27	7	112

# Parts Index



Part Number	Figure No.	Page No.	Part Number	Figure No.	Page No.
36 PD00 30	6	32	39 0807 08	21	70
36 PD00 31	9	38	39 0849 14	18	46
36 PD00 32	2	38	39 0972 04	10	46
36 PD00 35	2	72	39 0999 06	10	28
36 PD00 36	4	72	39 0999 06	4	30
36 PD00 37	1	72	39 1041 19	3	28
36 PD00 38	17	72	39 1053 15	7	52
36 PD00 41	3	72	39 1069 01	21	68
36 PD00 43	5A	74	39 1075 04	9	2
36 PD00 44	13	74	39 1076 01	4	96
36 PD00 45	14	74	39 1211 11	10	70
36 PD00 58	6	112	39 1211 11	8	94
36 PD00 60	7	56	39 1224 11	12	52
36 PD00 61	1	2	39 1225 15	6	40
36 PD00 61	1	4	39 1225 15	22	70
36 PD00 64	6	112	39 1225 15	5	104
39 0146 08	18	56	39 1507 11	9	36
39 0146 08	11	70	39 1513 15	3	70
39 0146 08	6	94	39 1540 11	20	70
39 0694 15	18	70	39 1620 11	9	16
39 0711 11	21	44	39 1660 05	2	4
39 0752 01	7	26	39 1673 04	13	10
39 0761 01	21	84	39 1674 04	8	4
39 0789 12	19	70	39 1674 04	11	16
39 0789 12	28	78	39 1674 04	19	32
39 0790 12	3	100	39 1674 04	2	34
39 0797 08	7	60	39 1677 04	18	26
39 0805 11	5	70	39 1677 04	3	30

# Parts Index



Part Number	Figure No.	Page No.	Part Number	Figure No.	Page No.
39 1686 06	8	16	39 1993 04	19	78
39 1686 06	4	34	39 1995 01	18	78
39 1829 12	7	54	39 1997 15	11	52
39 1912 04	19	84	39 1998 19	13	22
39 1912 04	2	106	39 2017 19	5	8
39 1913 04	20	84	39 2029 04	16	100
39 1916 04	21	66	39 2044 01	10	42
39 1931 20	6	14	39 2044 01	11	42
39 1937 17	12	56	39 2132 17	5	12
39 1940 04	3	98	39 2152 20	5	16
39 1942 04	3	90	39 2157 04	11	50
39 1943 04	6	58	39 2158 11	2	18
39 1943 04	12	80	39 2160 11	9	18
39 1949 04	4	90	39 2165 11	3	14
39 1950 04	7	104	39 2166 11	11	18
39 19500 4	17	44	39 2179 24	6	84
39 1951 04	15	80	39 2180 06	8	24
39 1951 04	17	90	39 2180 06	22	26
39 1952 04	27	78	39 2181 06	2	12
39 1952 04	16	90	39 2181 06	23	26
39 1953 04	26	78	39 2183 04	2	14
39 1953 04	3	92	39 2185 20	10	26
39 1967 04	5	50	39 2188 19	4	26
39 1970 15	3	50	39 2190 19	12	26
39 1971 15	4	104	39 2194 21	6	34
39 1972 15	11	102	39 2200 11	18	32
39 1975 04	13	108	39 2203 07	8	14
39 1990 20	18	28	39 2204 04	4	56

# Parts Index



Part Number	Figure No.	Page No.	Part Number	Figure No.	Page No.
39 2204 04	20	56	39 2647 15	6	2
39 2228 15	11	22	39 2669 21	1	10
39 2228 15	5	40	39 2754 04	12	40
39 2240 20	22	66	52 DG0 28	11	58
39 2241 20	6	64	52 DH01 69	1	34
39 2241 20	23	66	52 DH01 77	10	16
39 2242 20	13	66	52 DK02 03	1	30
39 2285 01	14	46	52 DK02 04	1	28
39 2305 04	19	26	52 DV 00 24	16	56
39 2310 04	2	36	52 DV00 51	16	22
39 2354 04	17	22	52 DV00 52	4	22
39 2400 11	12	22	52 JM00 18	2	110
39 2423 11	10	60	52 PD00 88	4	112
39 2427 04	23	78	52 PD00 90	5	30
39 2440 11	9	8	52 PD01 09	5	30
39 2443 11	17	28	52 PD01 40	2	112
39 2448 11	20	26	52 PD01 41	3	112
39 2455 04	10	50	52 PD01 44	1	112
39 2492 11	11	40	52 PD01 50	12	62
39 2542 20	3	10	52 PD01 51	13	62
39 2557 17	7	16	52 PD01 56	5	112
39 2583 20	6	24	52 PD01 56	5	112
39 2601 20	7	24	52 PD01 60	1	112
39 2603 20	8	26	52 PD01 61	2	112
39 2606 07	7	20	52 Pd01 62	3	112
39 2608 01	10	4	52 PD01 66	4	112
39 2617 20	4	10	52 PD02 66	4	112
39 2639 04	6	20	52 PD02 72	1	112

# Parts Index



Part Number	Figure No.	Page No.	Part Number	Figure No.	Page No.
52 PD02 73	2	112	AK 2010 12	12	106
52 PD02 74	3	112	AP 1010 43	7	30
52 PD02 86	1	90	AP 1110 12	12	44
52 PD02 87	24	90	AP 2010 25	14	106
52 PD03 29	2	112	CS 1011 28	14	10
52 PD03 30	3	112	DD 1010 62	15	10
52 PD03 76	1	112	DD 1110 12	15	44
52 PD03 77	1	112	DD 1210 07	8	12
52 PD03 78	1	112	DD 1610 22	8	96
52 PD03 81	1	112	DD 1610 71	4	60
52 PD03 82	1	112	DE 1510 15	16	72
56 PD06 P6	5	112	DE 1510 37	8	74
59 0400 05	3	48	DE 1510 43	9	74
59 0400 23	8	2	DE 1510 45	10	74
59 0400 42	1	50	DE 1510 46	6	74
59 0400 43	7	50	DE 1510 47	7	74
59 0500 02	3	24	DE 1510 48	5	74
59 0500 02	2	26	DE 1910 10	5	72
59 2000 06	9	26	DE 1910 27	13	72
59 2000 07	9	46	DE 1910 28	12	72
59 2000 27	9	24	DE 1910 29	11	72
59 2000 28	12	16	DE 1910 30	10	72
59 2100 06	5	26	DE 1910 31	8	72
AA 1014 37	13	18	DE 1910 32	9	72
AA 1014 37	4	24	DE 1910 33	6	72
AA 1018 83	19	28	DE 1910 34	7	72
AA 1410 67	12	6	DE 1910 35	15	72
AA 2012 27	8	102	DE 1910 36	14	72

# Parts Index



Part Number	Figure No.	Page No.	Part Number	Figure No.	Page No.
DE 1910 36	15	72	DG 1410 59	5	84
DG 1010 29	4	8	DG 1510 03	1	64
DG 1011 87	6	22	DG 1510 04	5	64
DG 1012 49	7	40	DG 1510 05	7	64
DG 1012 85	4	40	DG 1510 06	2	64
DG 1013 39	5	22	DG 1510 07	8	64
DG 1014 17	3	40	DG 1510 08	10	64
DG 1014 18	7	28	DG 1510 08	20	66
DG 1014 19	9	40	DG 1510 08	20	68
DG 1210 02	13	42	DG 1510 21	3	62
DG 1210 10	2	42	DG 1510 25	7	62
DG 1210 12	3	42	DG 1510 26	9	62
DG 1210 14	5	42	DG 1510 58	15	66
dg 1210 20	4	42	DG 1510 58	15	68
DG 1210 20	8	42	DG 1510 59	4	66
DG 1210 23	9	42	DG 1510 59	4	68
DG 1210 40	18	88	DG 1510 60	5	66
DG 1410 17	2	108	DG 1510 60	5	68
DG 1410 19	15	84	DG 1510 62	18	66
DG 1410 20	1	84	DG 1510 62	19	66
DG 1410 24	12	84	DG 1510 62	19	68
DG 1410 25	13	84	DG 1510 65	24	66
DG 1410 26	16	84	DG 1510 65	24	68
DG 1410 27	18	84	DG 1510 68	25	66
DG 1410 28	8	84	DG 1510 68	25	68
DG 1410 29	17	84	DG 1510 70	2	62
DG 1410 43	9	84	DG 1510 71	4	62
DG 1410 52	4	84	DG 1510 75	8	62

# Parts Index



Part Number	Figure No.	Page No.	Part Number	Figure No.	Page No.
DG 1510 76	10	62	DG 1611 53	22	56
DG 1510 81	2	66	DG 1611 54	12	50
DG 1510 84	1	66	DG 1611 65	13	50
DG 1510 85	18	68	DG 1611 68	6	108
DG 1510 88	4	74	DG 1611 89	21	56
DG 1510 89	2	74	DG 1612 06	2	58
DG 1510 93	6	62	DG 1612 19	2	60
DG 1510 94	5	62	DG 1612 20	1	96
DG 1510 95	14	66	DG 1612 25	9	96
DG 1510 95	14	68	DG 1612 30	6	60
DG 1510 96	3	66	DG 1612 67	1	58
DG 1510 96	3	68	DG 1612 76	11	60
DG 1510 97	1	62	DG 1710 15	3	52
DG 1511 02	1	74	DG 1710 16	5	52
DG 1611 08	5	58	DG 1710 18	9	52
DG 1611 10	3	58	DG 1710 19	10	52
DG 1611 13	7	58	DG 1710 22	8	52
DG 1611 17	5	96	DG 1710 25	6	54
DG 1611 18	7	96	DG 1710 34	6	52
DG 1611 20	2	96	DG 1710 35	2	54
DG 1611 21	3	96	DG 1710 36	4	54
DG 1611 24	10	40	DG 1710 37	3	54
DG 1611 24	8	60	DG 1710 38	8	54
DG 1611 29	3	60	DG 1710 39	5	54
DG 1611 45	9	56	DG 1810 03	18	80
DG 1611 47	11	56	DG 1810 04	23	82
DG 1611 50	17	56	DG 1810 05	20	82
DG 1611 53	8	56	DG 1810 06	28	82

# Parts Index



Part Number	Figure No.	Page No.	Part Number	Figure No.	Page No.
DG 1810 08	29	82	DG 1810 85	17	80
DG 1810 09	26	82	DG 1810 87	24	78
DG 1810 11	13	80	DG 1810 88	25	82
DG 1810 13	14	80	DG 1810 91	4	76
DG 1810 14	6	80	DG 1810 91	10	80
DG 1810 15	7	80	DG 1810 99	39	82
DG 1810 21	24	82	DG 1910 10	11	76
DG 1810 22	11	80	DG 1910 10	13	76
DG 1810 23	21	82	DG 1910 12	12	76
DG 1810 24	19	80	DG 1910 13	14	76
DG 1810 25	30	82	DG 1910 14	17	76
DG 1810 26	22	82	DG 1910 49	23	70
DG 1810 26	30A	82	DG 1910 50	9	94
DG 1810 28	38	82	DG 1910 51	9	70
DG 1810 34	2	80	DG 1910 51	10	94
DG 1810 36	27	82	DG 1910 64	10	100
DG 1810 40	35	82	DG 1910 64	6	102
DG 1810 41	32	82	DG 2010 12	14	100
DG 1810 48	5	48	DG 2010 15	9	102
DG 1810 54	25	78	DG 2010 23	10	108
DG 1810 55	1	108	DG 2010 27	11	106
DG 1810 57	8	108	DG 2010 30	16	108
DG 1810 58	11	108	DG 2010 30	20	78
DG 1810 59	12	108	30 2010 29	18	100
DG 1810 67	6	76	DG 2010 43	8	100
DG 1810 69	3	76	DG 2010 49	3	102
DG 1810 70	7	76	DG 2010 50	4	102
DG 1810 71	8	76	DG 2010 57	11	100

# Parts Index



Part Number	Figure No.	Page No.	Part Number	Figure No.	Page No.
DG 2010 61	17	106	DH 1011 54	12	28
DG 2010 66	2	100	DH 1011 63	16	46
DG 2010 69	7	100	DH 1011 72	7	46
DG 2010 70	9	100	DH 1011 95	11	14
DG 2010 72	13	100	DH 1011 97	2	28
DG 2010 73	15	100	DH 1011 99	5	44
DG 2010 75	1	102	DH 1012 03	13	26
DG 2010 76	5	102	DH 1012 35	5	18
DG 2010 77	11	104	DH 1012 72	10	2
DG 2010 78	12	104	DH 1012 75	17	32
DG 2110 06	18	90	DH 1012 92	9	30
DG 2210 09	5	108	DH 1012 93	10	30
DG 2210 10	9	108	DH 1012 94	11	30
DG 2210 27	14	90	DH 1012 95	8	8
DG 2210 38	13	40	DH 1013 19	18	18
DG 2210 41	19	90	DH 1013 80	6	44
DH 1010 18	11	28	DH 1013 81	4	44
DH 1010 48	8	10	DH 1013 85	3	16
DH 1010 64	10	14	DH 1013 85	24	26
DH 1010 65	12	14	DH 1013 85	5	46
DH 1010 72	2	16	DH 1013 88	14	30
DH 1010 79	4	18	DH 1013 92	11	10
DH 1010 84	8	18	DH 1013 93	7	22
DH 1011 11	15	18	DH 1013 94	10	22
DH 1011 41	4	28	DH 1014 12	7	10
DH 1011 41	12	32	DH 1014 14	3	12
DH 1011 42	5	28	DH 1014 24	6	16
DH 1011 46	3	20	DH 1014 87	10	24

# Parts Index



Part Number	Figure No.	Page No.	Part Number	Figure No.	Page No.
DH 1014 93	4	20	DJ 1610 12	6	30
DH 1014 96	9	20	DJ 1612 28	6	30
DH 1015 08	4	4	DJ 1810 11	2	76
DH 1015 44	16	28	DJ 2010 21	21	26
DH 1015 81	4	46	DJ 2011 00	14	72
DH 1016 48	14	32	DJ 2011 09	17	108
DH 1016 61	14	26	DJ 2011 25	6	106
DH 1017 14	2	22	DK 1010 03	3	4
DH 1018 96	5	24	DK 1010 63	1	12
DH 1021 74	5	6	DK 1010 64	10	10
DH 1021 80	6	6	DK 1010 65	1	14
DH 1021 89	8	20	DK 1010 94	3	26
DH 1110 12	9	4	DK 1010 97	6	26
DH 1110 13	9	44	DK 1011 02	6	18
DH 1110 16	11	44	DK 1011 03	3	18
DH 1210 10	3	34	DK 1011 05	12	18
DH 1210 11	14	28	DK 1011 26	13	32
DH 1210 12	15	28	DK 1011 44	10	18
DH 1210 35	5	34	DK 1011 59	1	20
DH 1210 38	7	4	DK 1011 60	2	20
DH 1710 19	4	64	DK 1011 76	6	46
DH 1710 19	17	66	DK 1012 37	6	36
DH 1710 19	17	68	DK 1012 45	20	18
DJ 1010 63	23	18	DK 1012 51	6	28
DJ 1011 34	4	16	DK 1012 79	7	36
DJ 1210 59	12	38	DK 1012 84	3	44
DJ 1410 06	26	86	DK 1013 26	6	8
DJ 1410 56	3	84	DK 1013 27	7	8



# Parts Index



Part Number	Figure No.	Page No.	Part Number	Figure No.	Page No.
DK 1013 28	4	12	DK 1017 32	5	20
DK 1013 30	5	10	DK 1017 38	20	28
DK 1013 52	21	18	DK 1017 48	1	8
DK 1013 66	5	36	DK 1017 51	2	8
DK 1013 80	16	26	DK 1017 55	3	8
DK 1013 82	5	20	DK 1017 70	13	46
DK 1013 86	9	10	DK 1110 28	7	44
DK 1014 16	1	16	DK 1510 26	14	62
DK 1014 71	1	18	DK 1610 81	8	36
DK 1014 80	13	28	DK 2010 98	2	94
DK 1015 65	7	32	DK 2010 99	13	106
DK 1015 69	5	32	DP 1611 44	31	82
DK 1015 70	16	32	DP 1611 45	4	58
DK 1015 71	2	32	DS 1010 84	7	2
DK 1015 73	11	32	DS 1010 96	5	2
DK 1015 74	9	32	DS 1011 54	5	14
DK 1015 92	7	12	DS 1011 66	4	2
DK 1016 05	2	46	DS 1012 15	8	28
DK 1016 14	2	10	DS 1013 53	9	28
DK 1016 25	6	12	DS 1013 53	12	46
DK 1016 32	7	18	DS 1210 26	14	42
DK 1016 36	15	32	DS 2010 25	9	106
DK 1016 62	10	32	DT 4020 06	20	106
DK 1017 17	16	18	DV 1010 34	15	22
DK 1017 18	14	18	DV 1010 42	2	30
DK 1017 19	19	18	DV 1010 44	3	22
DK 1017 20	17	18	DV 1010 45	9	22
DK 1017 25	8	22	DV 1010 48	22	18

# Parts Index



Part Number	Figure No.	Page No.	Part Number	Figure No.	Page No.
DV 1510 05	26	66	JD 1138 15	14	6
DV 1510 06	11	66	JD 4022 17	18	106
DV 1510 06	11	68	JE 5412 12	8	30
DV 1610 17	1	60	JE 5810 39	9	6
DV 1610 33	5	60	JG 1710 29	16	88
DV 1610 36	10	106	JG 1710 86	10	88
DV 1610 45	3	56	JG 4010 36	10	102
DV 1610 45	19	56	JH 1710 25	11	88
DV 1610 46	1	56	JH 1710 48	9	88
DV 1610 60	9	60	JK 5110 02	12	42
DV 1710 01	1	54	JL 1220 26	3	52
DV 1810 08	2	92	JL 1312 32	8	68
DV 1810 13	5	80	JL 5810 65	11	6
DV 1910 02	4	94	JL 5810 66	10	6
DV 1910 04	5	94	JM 1000 40	12	30
DV 1910 07	3	72	JM 1000 41	13	30
DV 2010 06	16	106	JM 1010 22	14	40
DV 2010 16	8	106	JM 1010 27	2	40
DZ 1612 65	9	58	JM 1410 02	2	84
GF 2010 12	9	104	JM 1510 05	6	66
GF 2010 50	29	86	JM 1510 05	6	68
JC 1010 34	12	10	JM 1610 02	4	50
JC 1011 14	3	46	JM 1610 03	2	50
JC 1011 15	8	46	JM 1610 17	2	98
JC 1110 07	11	46	JM 1610 20	14	36
JC 1110 28	1	44	JM 1610 23	6	50
JC 1510 20	3	64	JM 1610 37	5	56
JD 1138 14	13	6	JM 1610 37	1	70

# Parts Index



Part Number	Figure No.	Page No.	Part Number	Figure No.	Page No.
JM 1710 03	4	52	KA DU08 55	5	98
JM 1710 04	2	52	KA EA06 10	19	44
JM 1810 01	3	110	KA EG06 14	7	6
JM 1910 10	35	78	KB AA04 10	12	36
JM 1910 11	4	70	KB UA06 12	13	70
JM 1910 12	7	70	KB UA06 16	23	90
JM 1910 13	8	70	KB UF06 14	23	90
JM 1910 13	3	94	KC GA06 06	8	58
JM 1910 14	15	70	KC GF06 06	16	6
JM 1910 14	19	106	KD BA06 13	15	90
JM 1910 15	12	70	KJ AB10 19	17	26
JM 2010 12	15	106	KP BC60 04	22	68
JM 2010 32	4	106	KP BC62 02	9	64
JM 2210 03	1	110	KP BC62 02	13	68
JM 2210 04	31	78	KP BC63 02	23	68
JM 2210 05	32	78	LA A000 26	14	76
JM 2210 06	33	78	LA E000 35	13	36
JY 1138 42	3	88	LB U000 08	14	70
JY 1710 70	17	88	LE C000 01	6	70
JY 1710 90	15	88	PA 4010 18	28	86
JY 1718 25	13	88	PD 1110 36	1	48
KA AC06 30	2	70	PD 1110 41	1	48
KA CF08 30	16	80	PD 1130 00	2	56
KA DD06 22	19	78	PD 1130 01	6	56
KA DD06 30	20	44	PD 1130 02	14	56
KA DG05 20	10	36	PD 1130 03	2A	56
KA DQ06 30	15	6	PD 1130 04	15	56
KA DU08 40	4	98	PD 1134 00	8	50

# Parts Index



Part Number	Figure No.	Page No.	Part Number	Figure No.	Page No.
PD 1134 01	9	50	PD 1312 18	13	62
PD 1134 13	6A	50	PD 1318 03	3	74
PD 1138 02	19	88	PD 1318 08	2	72
PD 1138 03	5	76	PD 1318 10	2	68
PD 1138 07	18	44	PD 1318 13	2	74
PD 1138 14	8	48	PD 1318 15	1	74
PD 1210 00	3	80	PD 1318 16	16	72
PD 1210 01	4	80	PD 1510 00	1	76
PD 1210 06	36	82	PD 1510 01	6	76
PD 1210 07	1	80	PD 1510 03	4	76
PD 1210 09	3	80	PD 1510 03	10	80
PD 1210 10	4	80	PD 1510 04	7	76
PD 1210 11	26	82	PD 1510 05	8	76
PD 1210 12	25	82	PD 1510 06	2	48
PD 1210 14	37	82	PD 1510 07	1	76
PD 1210 15	9	80	PD 1510 09	2	76
PD 1210 16	9	80	PD 1610 01	10	76
PD 1210 17	1	80	PD 1610 04	9	76
PD 1220 00	1	52	PD 1610 05	11	76
PD 1220 03	16	70	PD 1612 03	4	94
PD 1220 04	17	70	PD 1612 04	5	94
PD 1220 05	1	54	PD 1710 03	7	84
PD 1310 04	1	62	PD 1710 08	2	84
PD 1310 07	12	62	PD 1710 23	30	86
PD 1312 01	9	66	PD 1716 01	4	84
PD 1312 11	2	62	PD 1716 02	14	88
PD 1312 12	1	68	PD 1716 03	4	88
PD 1312 12	9	68	PD 1716 04	2	88

# Parts Index



Part Number	Figure No.	Page No.	Part Number	Figure No.	Page No.
PD 1716 05	6	88	PD 2314 04	21	90
PD 1716 06	7	88	PD 2314 07	6	90
PD 1716 07	4	84	PD 2314 08	10	90
PD 1716 09	12	88	PD 2314 09	8	90
PD 1716 11	5	88	PD 2314 10	5	90
PD 1716 12	4	84	PD 2314 11	20	90
PD 1716 16	8	88	PD 2314 12	22	90
PD 1812 04	7	90	PD 2316 02	29	78
PD 1812 05	11	90	PD 2316 03	30	78
PD 1812 12	7	90	PD 2316 04	29	78
PD 1812 13	11	90	PD 2316 05	30	78
PD 1812 14	10	90	PD 2326 02	7	108
PD 1812 15	8	90	PD 2326 03	4	108
PD 1812 16	8	80	PD 2330 01	12	114
PD 1814 01	10	58	PD 2330 02	8	114
PD 1910 00	1	90	PD 2330 03	8	114
PD 1910 01	2	90	PD 2330 20	9A	114
PD 1910 02	1	90	PD 2330 22	9	114
PD 2312 01	1	98	PD 2330 30	10	114
PD 2312 02	2	98	PD 2330 31	11	114
PD 2312 04	13	40	PD 2330 37	8	114
PD 2312 05	19	56	PD 2330 38	8	114
PD 2312 05	12	70	PD 2330 57	13	114
PD 2312 06	3	56	PD 2330 58	14	114
PD 2314 00	9	90	PD 3510 02	2	44
PD 2314 01	9A	90	PD 3512 13	8	44
PD 2314 02	12	90	PD 3512 20	10	44
PD 2314 03	13	90	PD 3512 22	16	44

# Parts Index



Part Number	Figure No.	Page No.	Part Number	Figure No.	Page No.
PD 3512 35	10	44	PD 4020 05	14A	44
PD 3512 37	16	44	PD 4022 15	7	106
PD 4010 01	2	102	PD 4022 27	7	106
PD 4010 04	1	104	PD 4024 01	1	92
PD 4010 05	2	104	PD 4024 05	1	92
PD 4010 06	3	104	PD 4026 04	23	86
PD 4010 07	8	104	PD 4026 06	22	84
PD 4010 08	1	104	PD 4026 07	23	86
PD 4010 09	2	104	PD 4026 09	22	84
PD 4010 10	3	104	PD 5010 12	1	24
PD 4010 11	8	104	PD 5010 14	1	24
PD 4010 14	12	100	PD 5010 21	1	24
PD 4014 00	3	108	PD 5010 25	1	24
PD 4014 01	21	78	PD 5110 25	2	2
PD 4014 01	15	108	PD 5110 53	1	2
PD 4014 04	22	78	PD 5110 53	1	4
PD 4014 04	14	108	PD 5111 29	22	44
PD 4014 09	7	106	PD 5112 29	6	10
PD 4014 09	21A	78	PD 5310 29	7	14
PD 4014 10	22	78	PD 5412 25	1	30
PD 4014 10	14	108	PD 5510 01	1	22
PD 4014 11	21	78	PD 5510 28	1	18
PD 4014 11	15	108	PD 5514 18	1	32
PD 4014 14	21B	78	PD 5514 20	8	32
PD 4016 01	1	106	PD 5514 21	3	32
PD 4016 02	1	106	PD 5712 01	3	36
PD 4020 02	13	44	PD 5712 03	4	36
PD 4020 04	14	44	PD 5712 08	11	36

