

*pulsar*135LS



*pulsar*135LS

Bajaj Auto Limited  
Akurdi Pune 411 035 India  
Tel +91 20 27472851  
Fax +91 20 27407385  
[www.bajajauto.com](http://www.bajajauto.com)

# Spare Parts Catalogue



## Notice

---

All information contained in this manual is based on the latest product information at the time of publication. Bajaj Auto Limited accepts no liability for any inaccuracies or omissions in this publication, although every possible care has been taken to make it as complete and accurate as possible. All procedures and specifications subject to change without prior notice. The right is reserved to make such changes at any time without prior notice and without incurring an obligation to make such changes to product manufactured previously. Contact your authorized Bajaj Dealer for the latest information on product improvements incorporated after this manual was issued.



We have pleasure in presenting the Spare Parts Catalogue for 'Pulsar 135 LS' Motorcycle. This catalogue has been specially designed to assist you in selecting the correct parts for procurement to maintain 100% availability.

The Bajaj spares are subjected to the stringent quality control standards to ensure longer life of the vehicle. It is therefore necessary that only the Genuine Bajaj Spares are used.

In a continual effort to improve Performance and Efficiency of the vehicles, Specifications, Diagrams, Illustrations and Part Numbers can change without notice. Consequently, the description in this Spare Parts Catalogue cannot therefore be final and binding on us.

The modifications / alterations which are carried out after the issue of this catalogue, will be conveyed to you through our Service Circulars. You are requested to make necessary corrections in the Parts Catalogue as per the circulars so as to keep your catalogue up-to-date. This will ensure the appropriate and speedy delivery of the Spare Parts as the order placed will bear the latest part numbers.

In case, if you need any technical assistance contact the concerned Regional Office or write to us on the following address :

**Bajaj Auto Limited****Service Department**

Akurdi, Pune 411 035 India

Phone : 020-27406557

Fax : 020-27407385

- 1. How to Read the Catalogue :** Open the catalogue and from the pictorial index locate the group in which the part you want to find is present. Turn over to the concerned page number (as given by pictorial index). Now find out the figure of the part you wish to order. Write down the part number against that particular figure number from the text.

In case, if you have the part number and you need the other details, the part index can be used. The part index (at the end of the catalogue) will give you the figure and page number of the part you wish to order.

- 2. How to Order Spare Parts :** The part number and the description of the part required should be invariably mentioned in the order as per the catalogue text.

The latest part number as conveyed through our service circulars should only appear on the order. In case of ordering painted components, colour shade of the components should be mentioned.

The quantity shown against the part number is the quantity per vehicle for that group so that particular quantity should be multiplied by the number of sets required.

- 3. Part Number System :** We have used 8 digit system for part numbers. The model or hardware item is indicated by first two digits or alphanumeric, the next two or four digits indicate main group and the last four or two digits indicate serial number in main group or serial number or subgroup of fastener respectively. Thus the part numbers will be indicated by 2-2-4 or 2-4-2 digit system. Understanding this system will enable you to identify the spare parts easily.

- 4. Abbreviations :** The following abbreviations are used in this catalogue.

Assly	Assembly	V	Volts
N.I.	Not illustrated	W	Watts
C'case	Crankcase	Accl.	Accelerator
Cyl	Cylinder	Comp.	Complete
O/s	Over size	Fr.	Front
Rr.	Rear	Std.	Standard
L	Length	A/t.	Alternate
R.H.	Right hand	L.H.	Left hand
Hex.	Hexagonal	AR	As required

Index

Plate No.	Description	Page No.
1	Cover Cylinder Head	2
2	Cylinder Head	4
3	Valve	6
4	Camshaft / Tensioner	8
5	Cylinder and Piston	10
6	Crankshaft	12
7	Transmission	14
8	Change Drum / Shift Fork	16
9	Gear Change Mechanism	18
10	Engine Assly / Crankcase RH	20
11	Crankcase LH	22
12	Cover Clutch	24
13	Cover Magneto	26
14	Clutch Assly	28
15	Kick Starter Mechanism	30
16	Carburettor	32
17	Air Cleaner Complete	34
18	Silencer Assly	36
19	Oil Pump	38
20	Starter Assly	40
21	Magneto, C.D.I. & H.T. Coil	42
22	Seat Assly / Seat Lock	44
23	Engine Mountings	46
24	Frame and Frame Fitting	48
25	Swing Arm / Rear Shock Absorber	50
26	Pillion Foot Rest / Holder	52
27	Mudguard- Front & Rear	54
28	Stand Assembly	56
29	Tyre/ Tube / Rim	58
30	Front Hub	60

Index

Plate No.	Description	Page No.
31	Front Master Cylinder	62
32	Front Disc Brake	64
33	Rear Hub	66, 68
34	Rear Brake Pedal	70
35	Handle Bar Assly	72, 74
36	Front Fork	76, 78
37	Painted Parts & Decals	80,82,84
38	Petrol Tank Spoiler	86
39	Petrol Tank, Cap Tank & Gauge Fuel	88
40	Fittings - Petrol Tank, Side Cover & Cover Seat	90
41	Meter Assly.	92
42	Control Cables	94
43	Chain Case	96
44	Head Lamp & Fairing	98
45	Indicator Light Assly.	100
46	Tail Lamp Assly. / Front No. Plate	102
47	Electrical Equipments	104
48	Tool Kit	106
49	Accessories / Grab Handle	108
	Kits List For Pulsar 135 LS	109, 110
	Amendment Sheet (Parts Added)	
	Amendment Sheet (Parts Deleted)	
	Part Index	113 to 126

Pictorial Index

<p>PLATE NO. : 1 COVER CYLINDER HEAD</p>	<p>PAGE NO. 2</p>	<p>PLATE NO. : 2 CYLINDER HEAD</p>	<p>PAGE NO. 4</p>

<p>PLATE NO. : 3 VALVE</p>	<p>PAGE NO. 6</p>	<p>PLATE NO. : 4 CAMSHAFT / TENSIONER</p>	<p>PAGE NO. 8</p>

Pictorial Index

<p>PLATE NO. : 5 CYLINDER &amp; PISTON</p>	<p>PAGE NO. 10</p>	<p>PLATE NO. : 6 CRANKSHAFT</p>	<p>PAGE NO. 12</p>

<p>PLATE NO. : 7 TRANSMISSION</p>	<p>PAGE NO. 14</p>	<p>PLATE NO. : 8 CHANGE DRUM / SHIFT FORK</p>	<p>PAGE NO. 16</p>

Pictorial Index

PLATE NO. : 9 GEAR CHANGE MECHANISM	PAGE NO. 18
--	----------------

PLATE NO. : 10 ENGINE ASSLY & CRANKCASE RH	PAGE NO. 20
---	----------------

PLATE NO. : 11 CRANKCASE LH	PAGE NO. 22
--------------------------------	----------------

PLATE NO. : 12 COVER RH	PAGE NO. 24
----------------------------	----------------

Pictorial Index

PLATE NO. : 13 COVER MAGNETO	PAGE NO. 26
---------------------------------	----------------

PLATE NO. : 14 CLUTCH ASSEMBLY	PAGE NO. 28
-----------------------------------	----------------

PLATE NO. : 15 KICK STARTER MECHANISM	PAGE NO. 30
--	----------------

PLATE NO. : 16 CARBURETOR	PAGE NO. 32
------------------------------	----------------

Pictorial Index

PLATE NO. : 17  
AIR CLEANER COMPLETE

PAGE NO.  
34

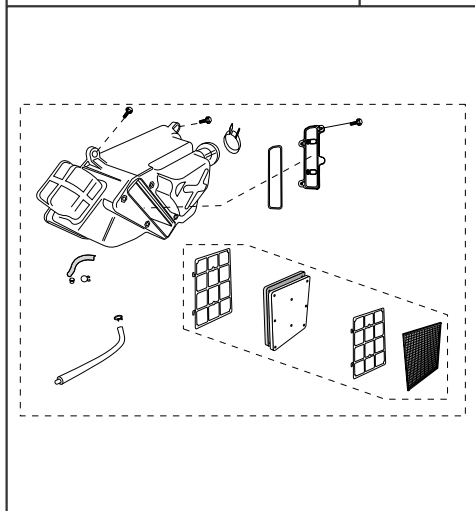


PLATE NO. : 18  
SILENCER ASSLY

PAGE NO.  
36

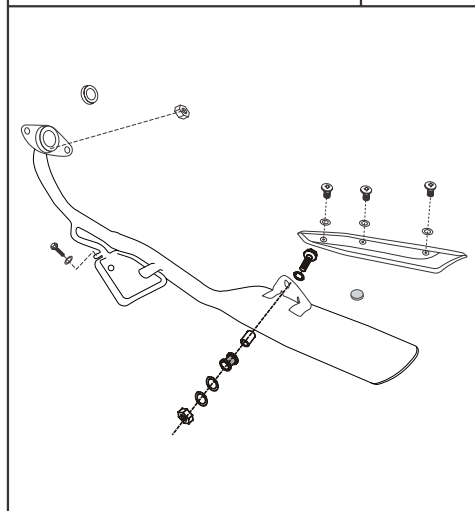


PLATE NO. : 19  
OIL PUMP

PAGE NO.  
38

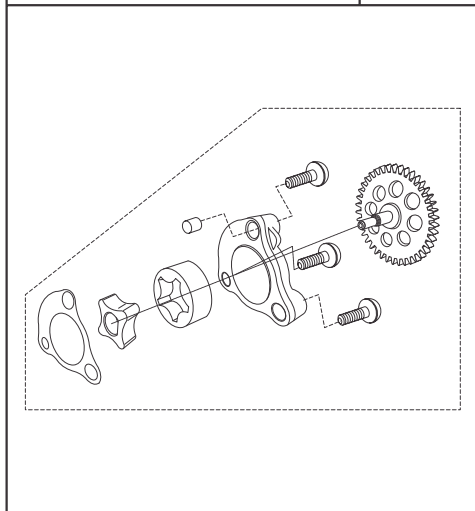
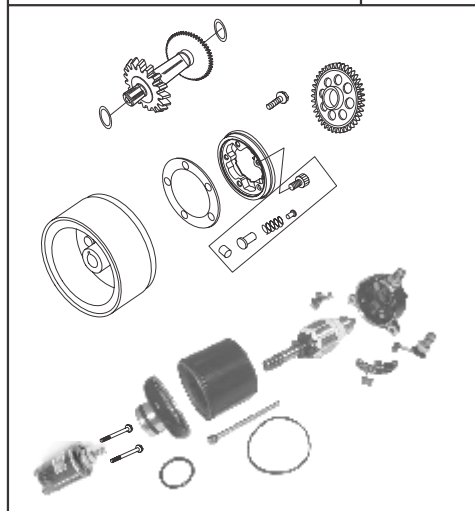


PLATE NO. : 20  
STARTER ASSLY

PAGE NO.  
40



Pictorial Index

PLATE NO. : 21  
MAGNETO / C.D.I. / H.T. COIL

PAGE NO.  
42

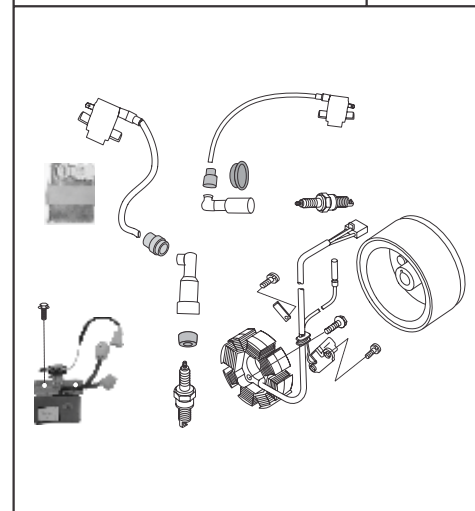


PLATE NO. : 22  
SEAT ASSLY / SEAT LOCK

PAGE NO.  
44

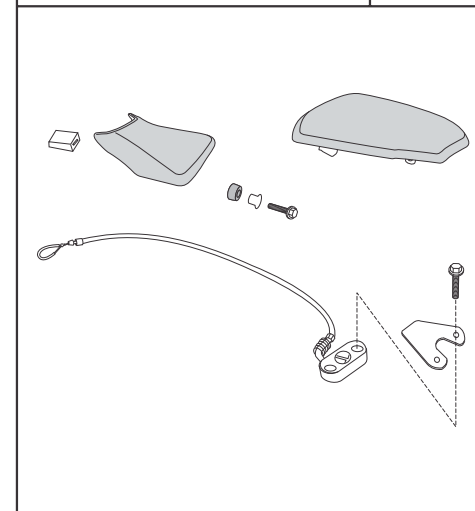


PLATE NO. : 23  
ENGINE MOUNTINGS

PAGE NO.  
46

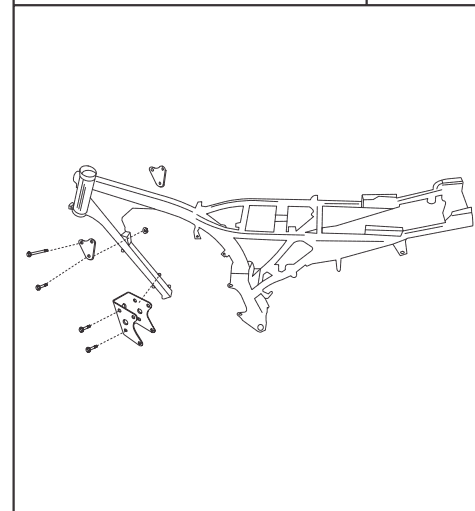
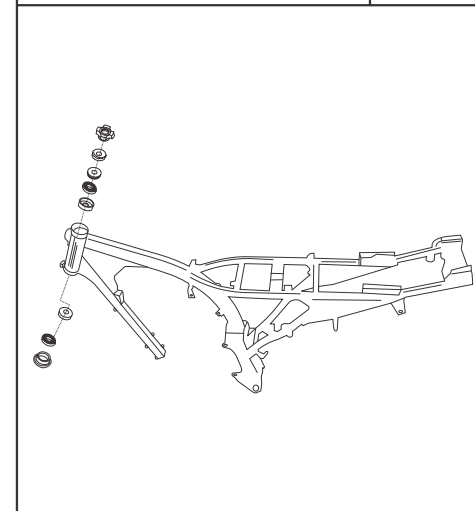


PLATE NO. : 24  
FRAME & FRAME FITTINGS

PAGE NO.  
48





Pictorial Index

PLATE NO. : 25 SWING ARM / RR. SHOCK ABSORBER	PAGE NO. 50

PLATE NO. : 26 PILLION FOOT REST / HOLDER	PAGE NO. 52

PLATE NO. : 27 MUDGUARD FRONT & REAR	PAGE NO. 54

PLATE NO. : 28 STAND ASSEMBLY	PAGE NO. 56

Pictorial Index

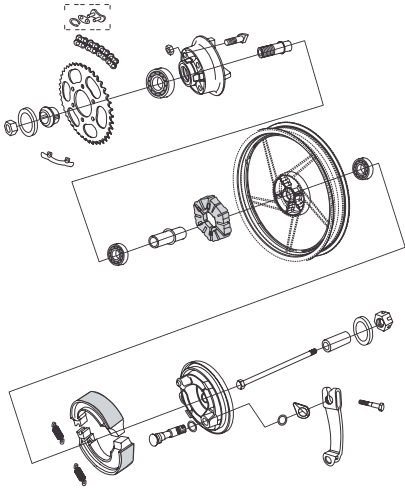
PLATE NO. : 29 TUBE / TYRE / RIM	PAGE NO. 58

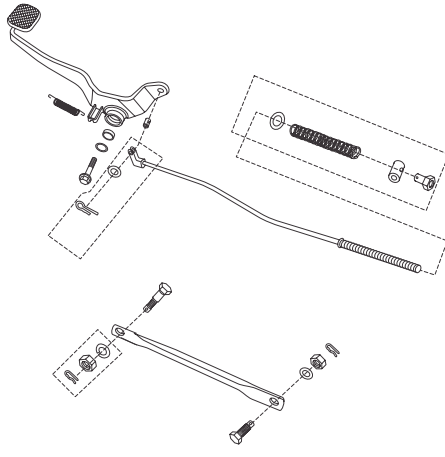
PLATE NO. : 30 FRONT HUB	PAGE NO. 60

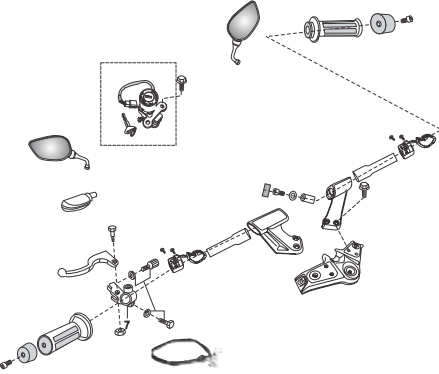
PLATE NO. : 31 FRONT MASTER CYLINDER	PAGE NO. 62

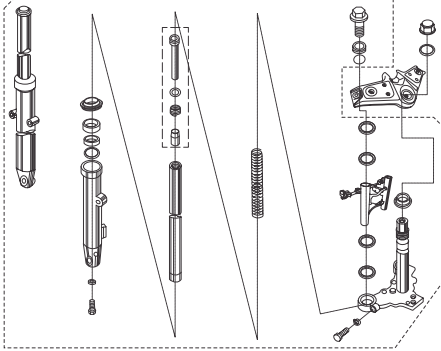
PLATE NO. : 32 FRONT DISC BRAKE	PAGE NO. 64
<ul style="list-style-type: none"> <li> PISTON SEAL</li> <li> DUST SEAL</li> <li> BLEEDER CAP</li> <li> PROTECTION BOOT</li> <li> INSULATOR</li> <li> CALIPER PISTON</li> <li> BLEEDER SCREW</li> <li> PAD SPRING</li> </ul>	

Pictorial Index


<p>PLATE NO. : 33 REAR HUB</p>	<p>PAGE NO. 66, 68</p>
	

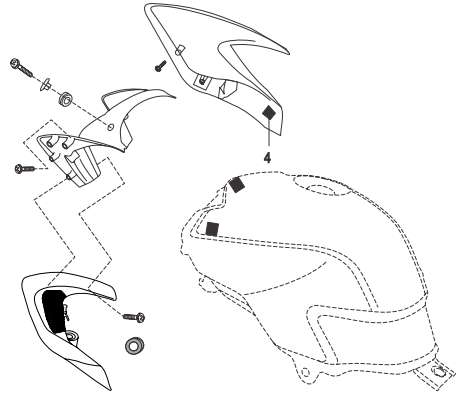
<p>PLATE NO. : 34 REAR BRAKE PEDAL</p>	<p>PAGE NO. 70</p>
	

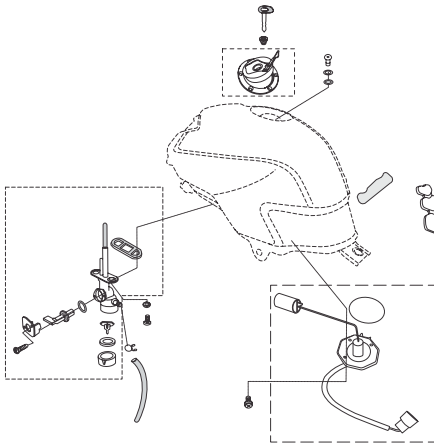
<p>PLATE NO. : 35 HANDLE BAR ASSEMBLY</p>	<p>PAGE NO. 72, 74</p>
	

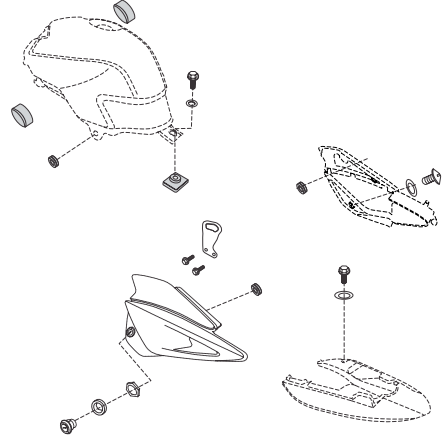
<p>PLATE NO. : 36 FRONT FORK</p>	<p>PAGE NO. 76, 78</p>
	

Pictorial Index

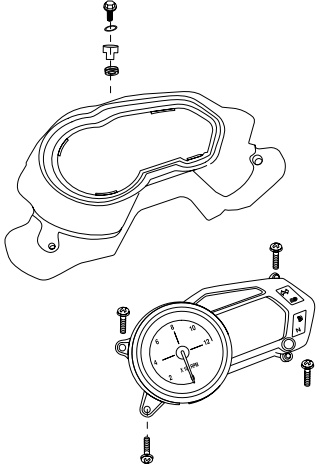
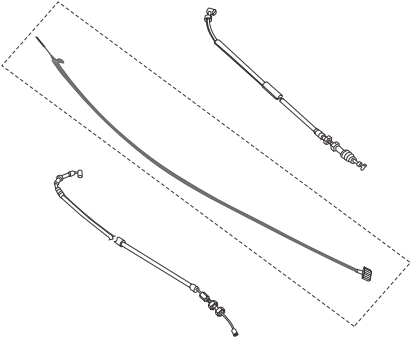
<p>PLATE NO. : 37 PAINTED PARTS &amp; DECALS</p>	<p>PAGE NO. 80,82</p>
	

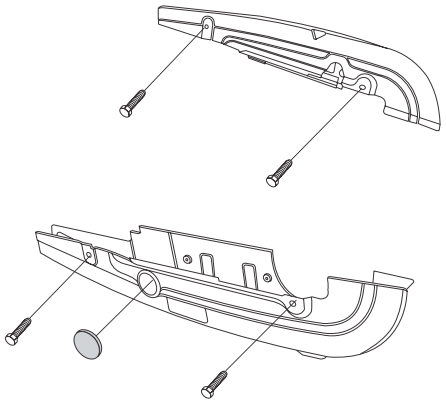
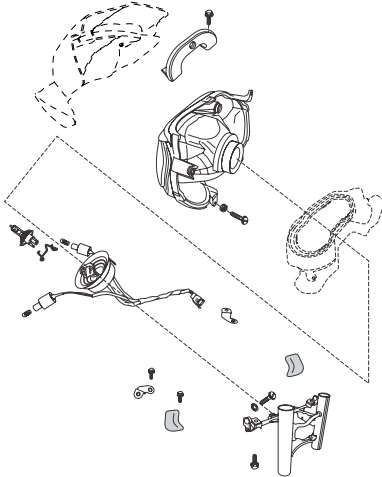
<p>PLATE NO. : 38 PETROL TANK SPOILER</p>	<p>PAGE NO. 84</p>
	

<p>PLATE NO. : 39 PETROL TANK, CAP TANK AND GAUGE FUEL</p>	<p>PAGE NO. 86</p>
	

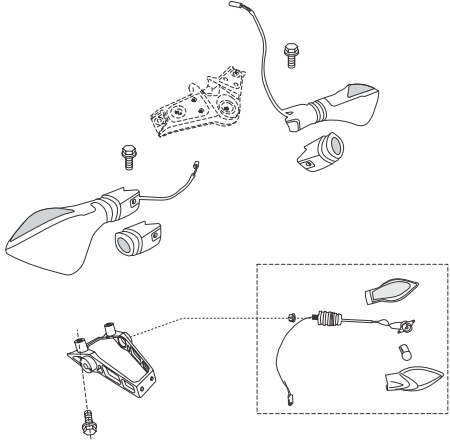
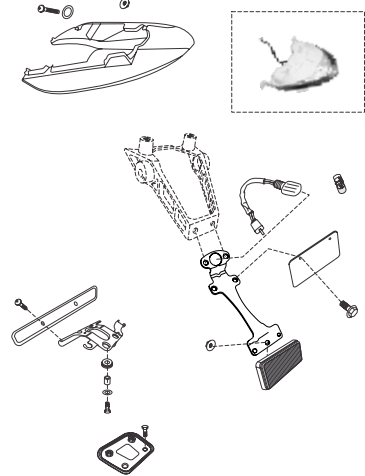
<p>PLATE NO. : 40 FITTINGS - PETROL TANK, SIDE COVERS &amp; COVER SEAT</p>	<p>PAGE NO. 88</p>
	

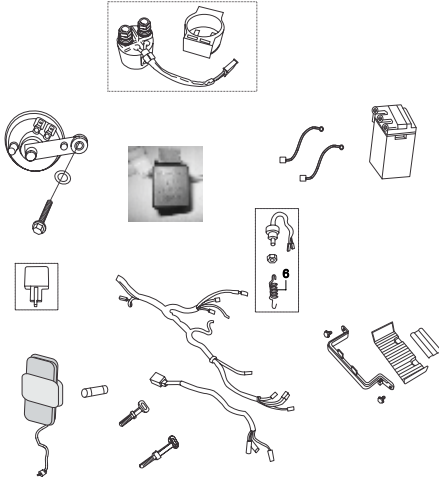
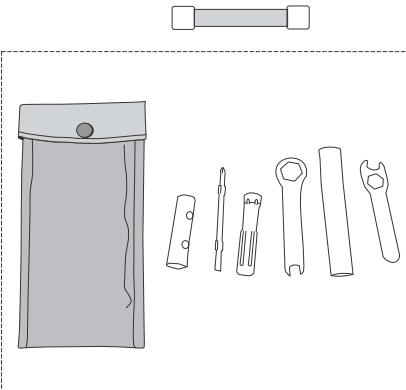
Pictorial Index

<p>PLATE NO. : 41 METER ASSEMBLY</p>	<p>PAGE NO. 90</p>	<p>PLATE NO. : 42 CONTROL CABLES</p>	<p>PAGE NO. 92</p>
			

<p>PLATE NO. : 43 CHAIN CASE</p>	<p>PAGE NO. 94</p>	<p>PLATE NO. : 44 HEAD LAMP ASSEMBLY AND FAIRING</p>	<p>PAGE NO. 96</p>
			

Pictorial Index

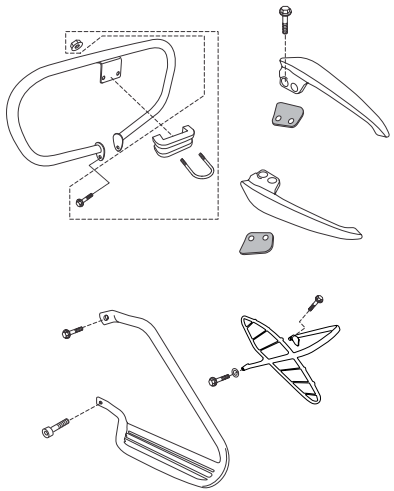
<p>PLATE NO. : 45 INDICATOR LAMP ASSEMBLY</p>	<p>PAGE NO. 98</p>	<p>PLATE NO. : 46 TAIL LAMP ASSEMBLY / FRONT NUMBER PLATE</p>	<p>PAGE NO. 100</p>
			

<p>PLATE NO. : 47 ELECTRICAL EQUIPMENTS</p>	<p>PAGE NO. 102</p>	<p>PLATE NO. : 48 TOOL KIT</p>	<p>PAGE NO. 104</p>
			

Pictorial Index

PLATE NO. : 49  
ACCESSORIES / GRAB HANDLE

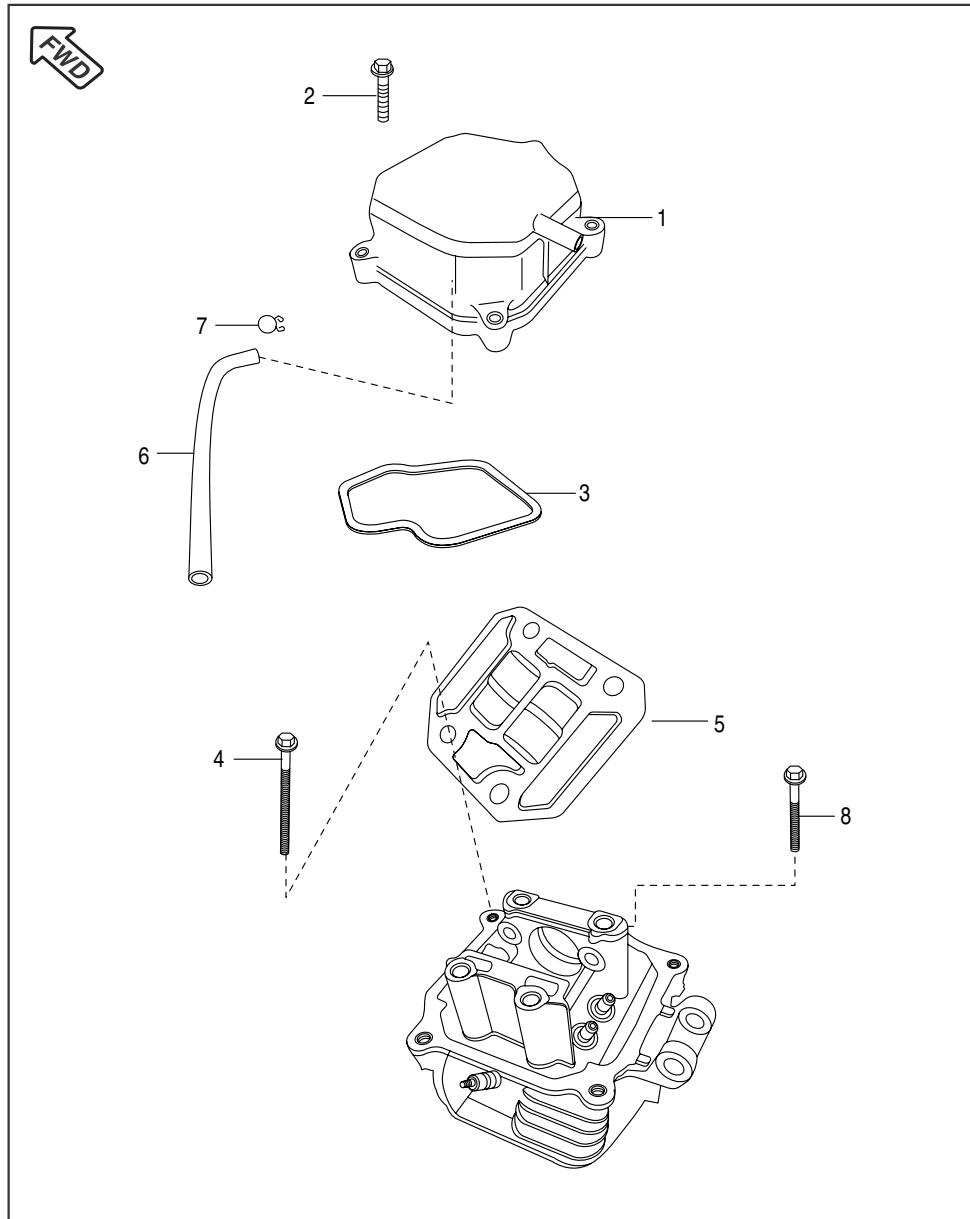
PAGE NO.  
106



Pictorial Index

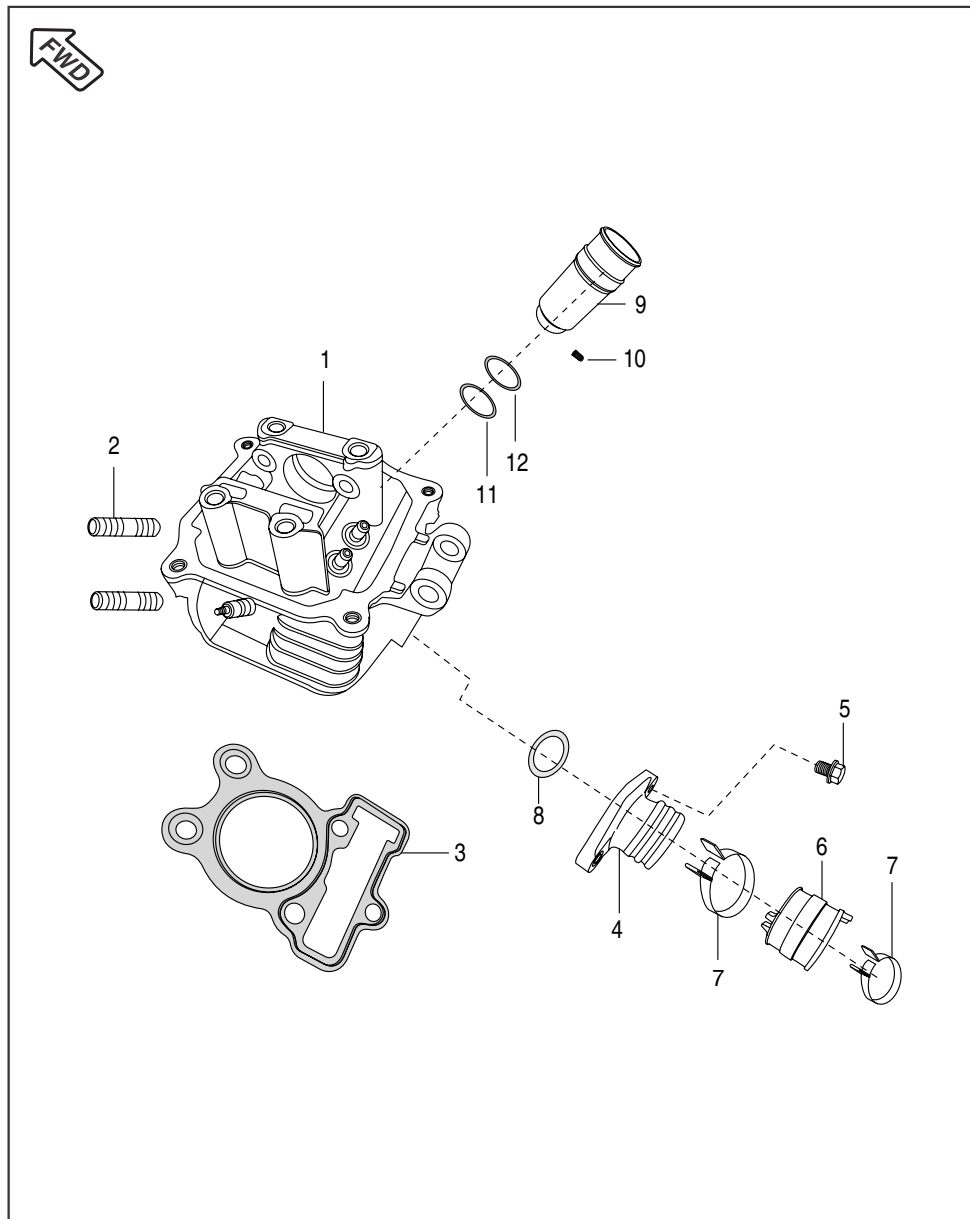


**Cover Cylinder Head**



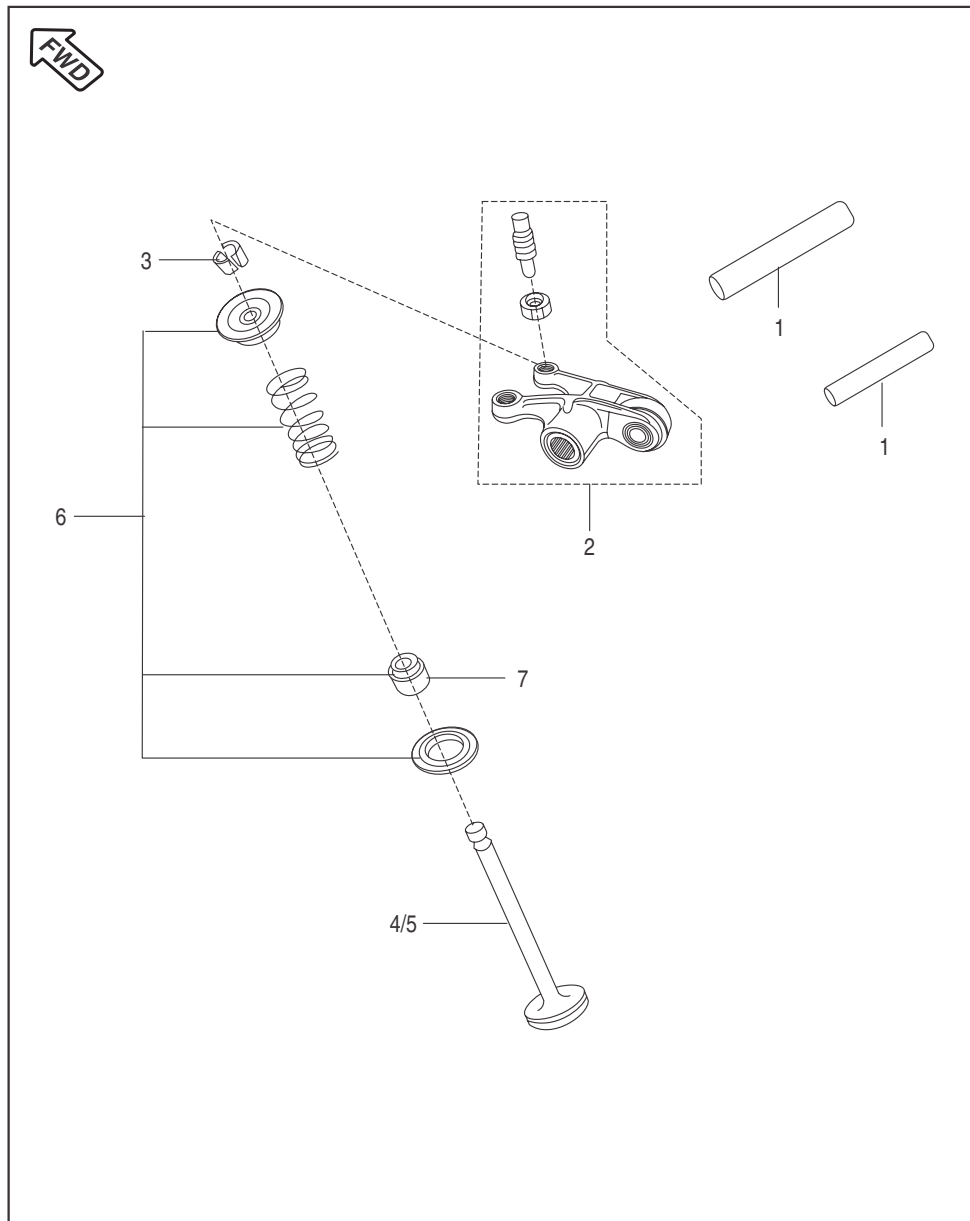
No.	Part No.	Description	Qty.	Remarks
1	JD 5110 06	Cover Cylinder Head	1	
	JZ 5110 21	Cover Cylinder Head	1	From 01.10.2010
2	JV 5410 07	Bolt Flange	4	
3	JD 5110 10	Gasket Head Cover	1	
4	JA 5110 08	Bolt Head Mounting (Long)	4	
5	JB 5110 20	Plate Cylinder Head	1	
	JZ 5110 20	Plate Cylinder Head	1	From 01.10.2010
	PF 5110 27	Plate Cylinder Head	1	From Dec 2011
	PA 5110 39	Plate Cylinder Head	1	F-35 dated 20.05.2013
6	JA 5110 11	Hose Crankcase Breather	1	
7	JA 5110 29	Clamp	2	
8	59 0400 50	Bolt Head Mounting (Short)	1	For Head Mounting

Cylinder Head



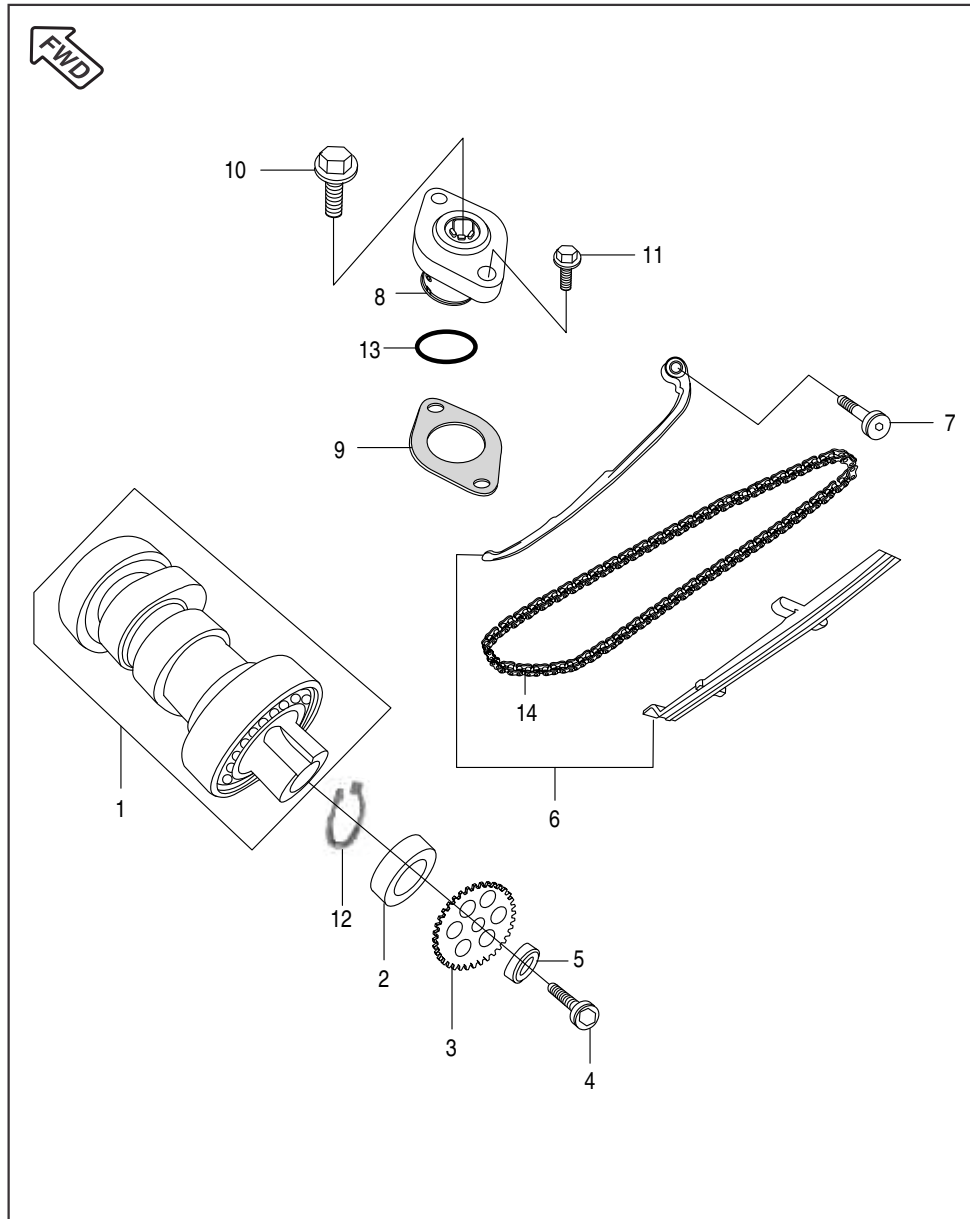
No.	Part No.	Description	Qty.	Remarks
1	52 JE00 14	Head Cylinder Complete	1	With Valve Guide & oil Plug
	36 JE00 13	Head Cylinder Complete-	1	From 18.06.2010
2	JA 5110 28	Stud	2	Silencer Mtg.
3	JD 5110 08	Gasket Cylinder Head	1	
4	JE 5814 00	Intake Manifold	1	
5	39 1674 04	Bolt Flange	2	
6	JE 5814 01	Sleeve (Carburettor - Duct Rubber)	1	
7	DP 1011 98	Clamp (39mm)	2	
8	39 1283 21	'O' Ring (Intake Pipe)	1	
9	JD 5110 04	Sleeve Spark Plug R.H	1	
10	39 2608 01	Grub Screw	1	
11	39 2629 21	'O' Ring Sleeve	1	Top side
12	39 1283 21	'O' Ring Sleeve	1	Bottom side

Valve



No.	Part No.	Description	Qty.	Remarks
1	JD 5112 09	Shaft Rocker Arm	2	
2	JD 5112 07	Rocker Arm with Roller	2	
3	DG 1010 29	Cotter Valve (Collet)	8	
4	JD 5112 01	Valve Intake	2	
5	JD 5112 02	Valve Exhaust	2	
6	36 JE00 01	Valve Repair Kit	2	Refer Page No.105
7	39 2017 19	Seal Valve Stem	4	

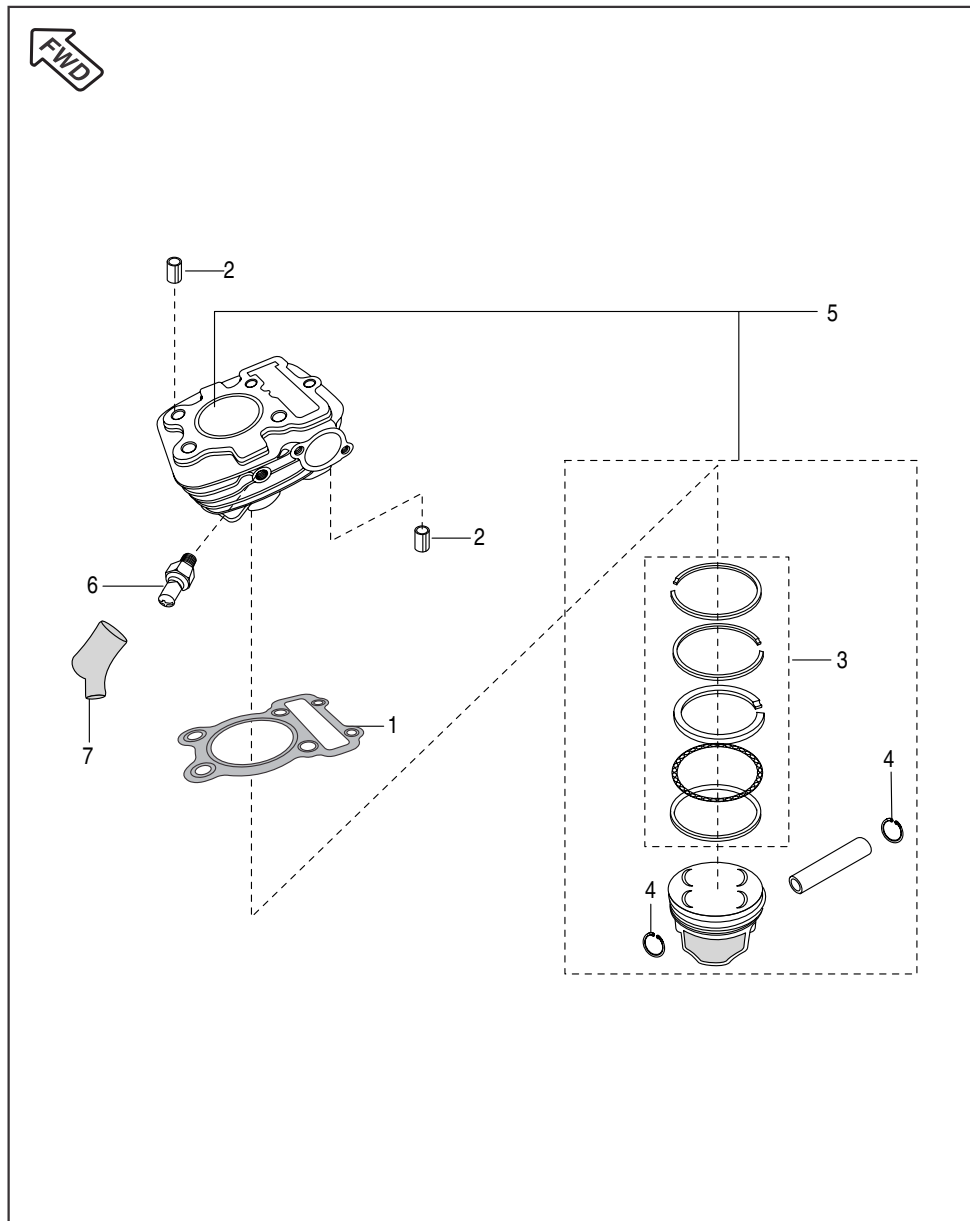
Camshaft / Tensioner



No.	Part No.	Description	Qty.	Remarks
1	JD 5112 11	Camshaft Complete	1	With Bearing
2	JA 5112 16	Spacer Cam Sprocket	1	
3	DS 1012 76	Sprocket Cam Shaft	1	
4	39 2198 04	Socket Head Cap Bolt	1	
5	DH 1010 48	Special Washer ('O' Washer)	1	
6	36 JE00 03	Guide Chain Kit	1	Refer Page No.105
	36 PA01 15	Guide Chain Kit	1	Implemented from 01.08.13
7	DH 1013 92	Bolt Special	1	Mtg. Cam chain guide
8	JV 5210 03	Adjuster Assembly Chain	1	
	JA 5210 17	Adjuster Assembly Chain	1	From 18.06.2010
	JE 5210 16	Adjuster Assembly Chain	1	Implemented from 01.08.13
9	CS 1011 28	Gasket	1	
10	DD 1010 62	Bolt	1	
	JA 5210 18	Bolt	1	From 18.06.2010
11	39 1673 04	Flange Bolt	2	Adjuster Assly Mounting
	JA 5210 19	Flange Bolt	2	From 18.06.2010
12	39 0594 17	Circlip for Camshaft	1	
13	39 2669 21	'O' Ring (Tensioner)	1	
14	DS 1099 05	Cam Chain (94 Link)	1	
	JE 5112 30	Cam Chain (Straight)	1	Implemented from 01.08.13

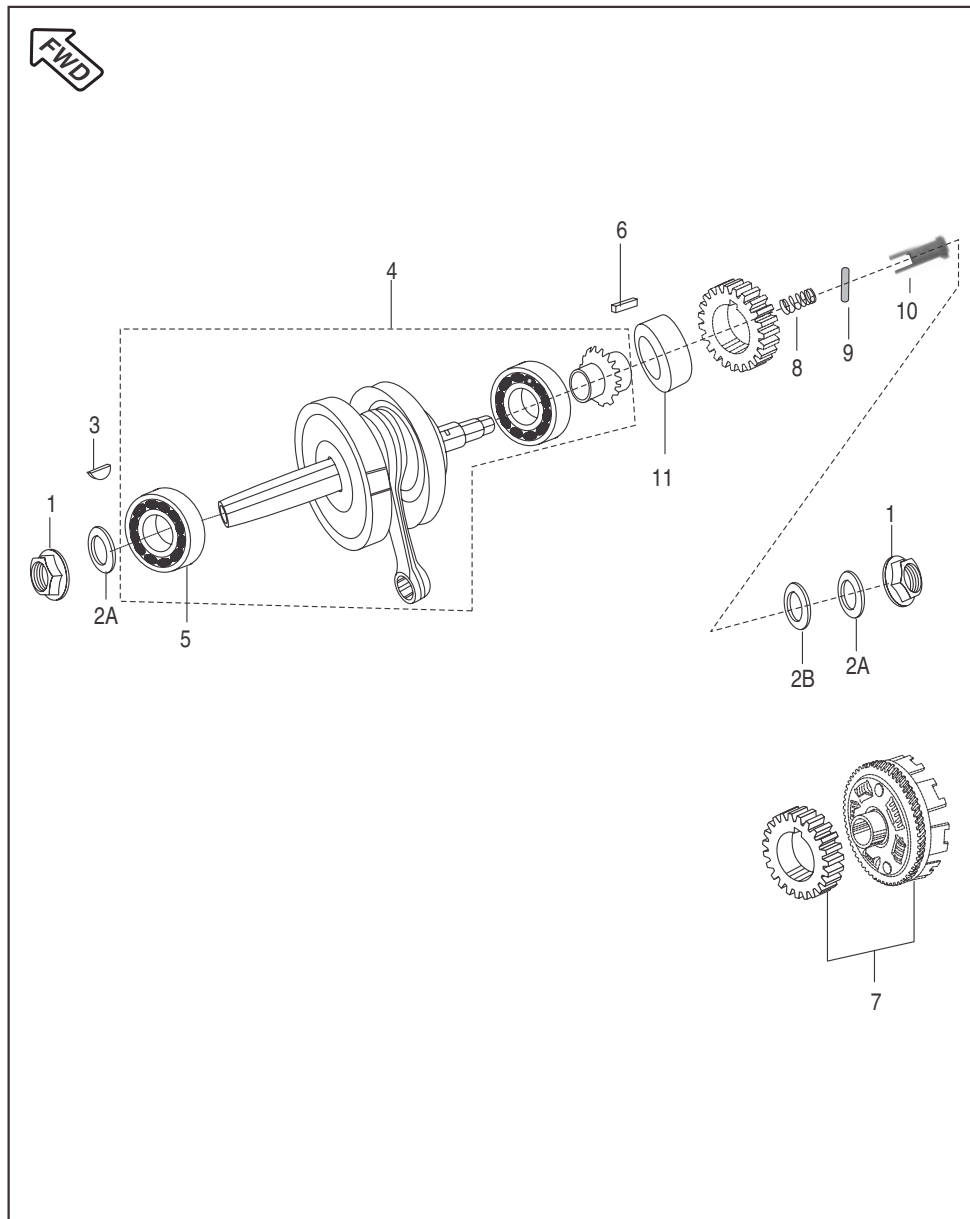


Cylinder and Piston



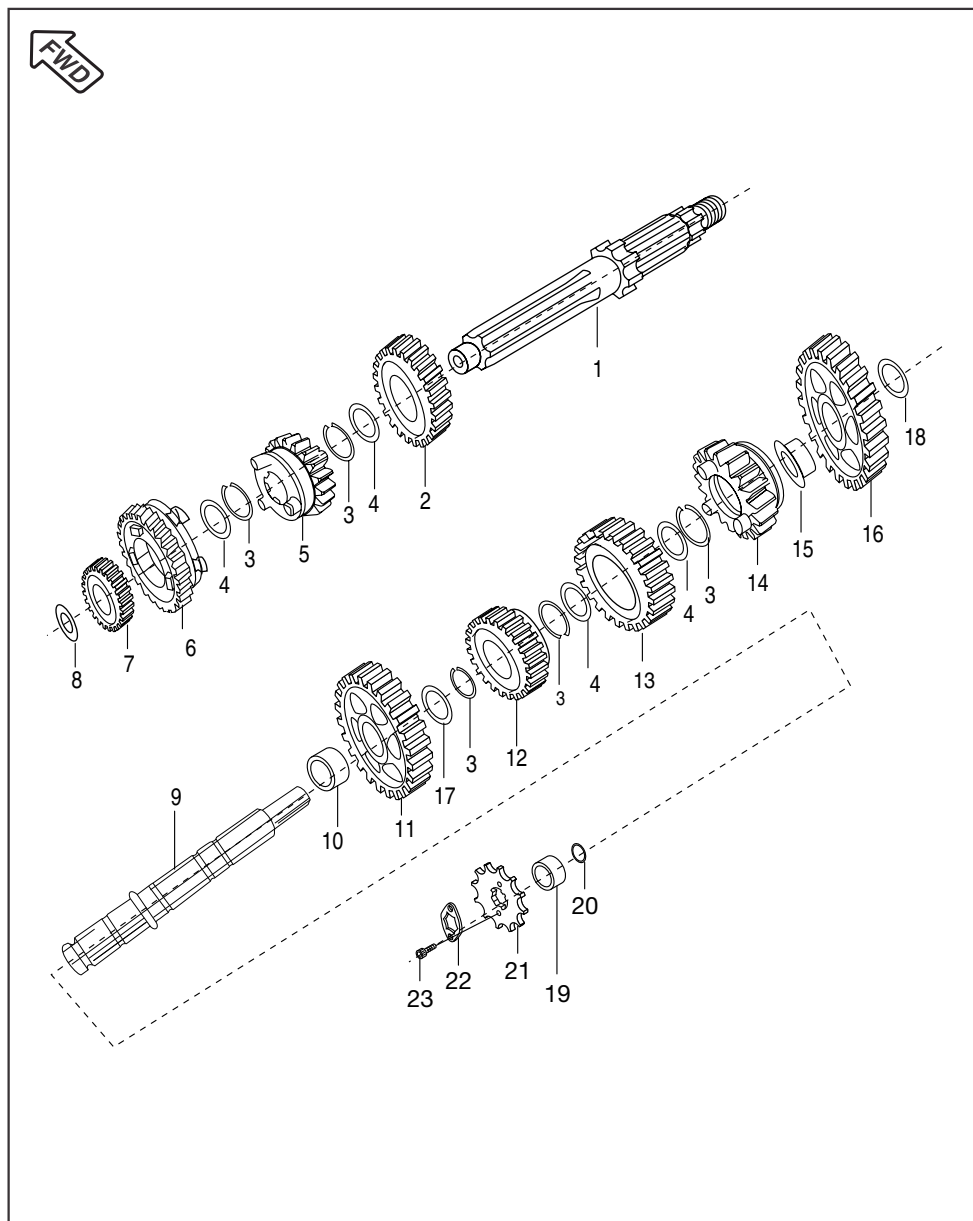
No.	Part No.	Description	Qty.	Remarks
1	JD 5210 02	Gasket Cylinder Block	1	
2	39 1000 06	Dowel Pin	4	
3	36 JE00 02	Piston Ring Set	1	Refer Page No.105
4	DP 1011 65	Wire Circlip	2	
5	52 JE00 16	Cylinder Block & Piston Assembly	1	Molycote Piston
	36 JE00 12	Cylinder Block & Piston Assembly	1	From 18.06.2010
6	JW 3514 00	Thermal Sensor	1	
7	JB 4022 02	Grommet for Thermal Sensor	1	

**Crankshaft**



No.	Part No.	Description	Qty.	Remarks
1	59 1500 14	Flange Nut	2	
2A	59 1200 03	Belleville Washer	2	
2B	59 1100 08	Plain Washer	1	
3	31 1011 73	Woodruff Key	1	
4	JE 5310 00	Crank Shaft Assembly	1	
	JZ 5310 03	Crank Shaft Assembly	1	From 04.02.2011
5	JE 5310 01	Ball Bearing	1	
6	DS 1011 54	Parallel Key	1	
7	36 JE00 04	Set Primary Drive / Driven	1	Refer Page No.105
8	JA 531012	Spring	1	
9	JA 5310 15	Parallel Pin	1	
10	JB 5310 21	Plunger Oil	1	
11	JD 5310 04	Spacer Crankshaft Clutch Side	1	
12	JD 5410 00	Damper Crankshaft	1	N.I.

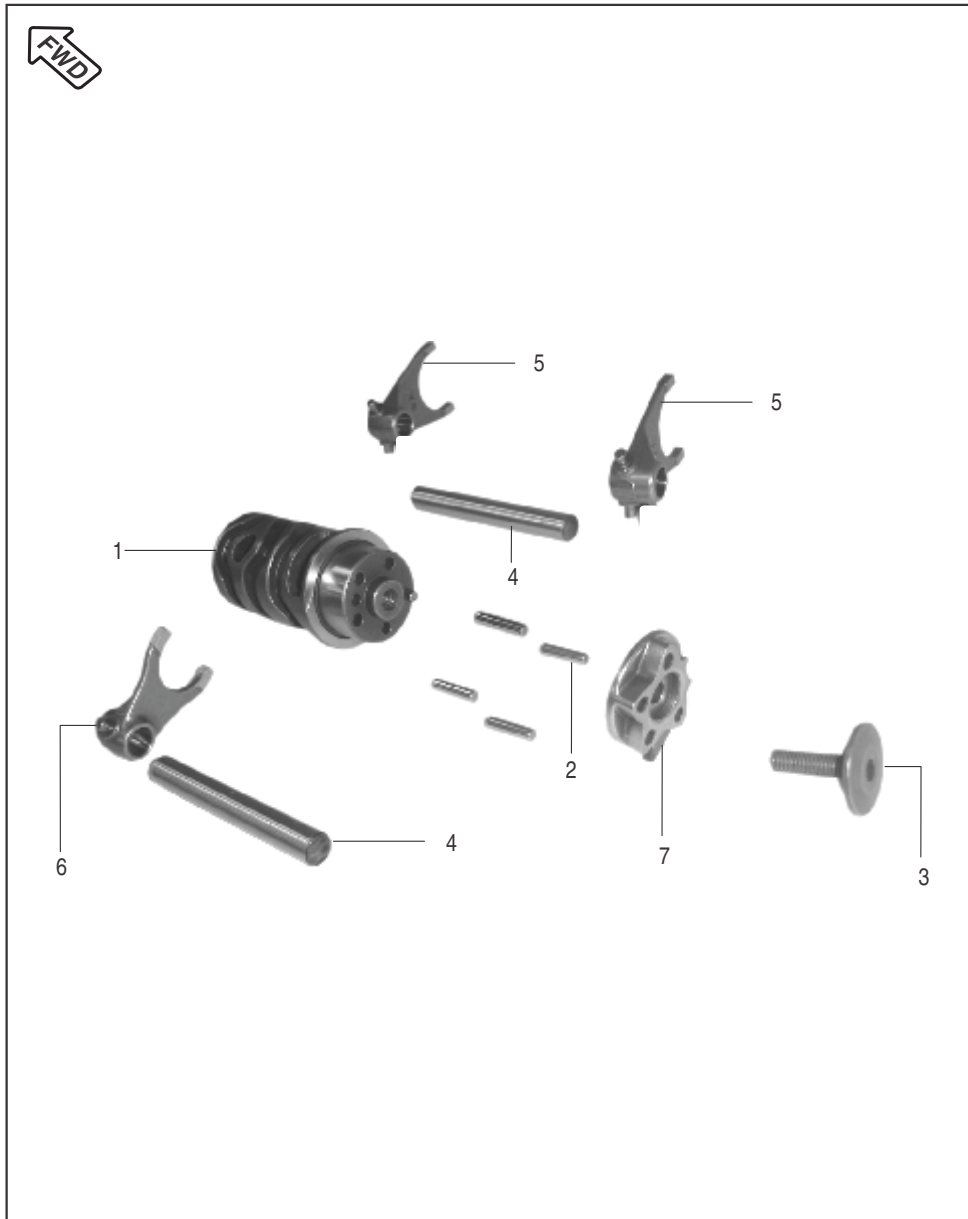
Transmission



No.	Part No.	Description	Qty.	Remarks
1	JD 5510 00	Shaft Input Transmission	1	JZ 5510 06*
2	JD 5512 07	Gear 4th Drive	1	JZ 5512 02*
3	39 0987 17	Ring Snap	5	
4	JA 5510 02	Spline Washer	4	
5	JD 5512 06	Gear 3rd Drive	1	JZ 5512 01*
6	JD 5512 05	Gear 5th Drive	1	JZ 5512 13*
7	JD 5512 01	Gear 2nd Drive	1	JZ 5512 00*
8	JA 5510 04	Washer Thrust 2nd Drive	1	
9	JD 5510 02	Shaft Output Transmission	1	JZ 5510 08*
	JV 5510 02	Shaft Output Transmission	1	From 18.06.2010
10	JD 5512 08	Bush 2nd Driven	1	JZ 5512 10*
11	JD 5512 02	Gear 2nd Driven	1	JZ 5512 06*
12	JD 5512 03	Gear 5th Driven	1	JZ 5512 11*
13	JD 5512 04	Gear 3rd Driven	1	JZ 5512 12*
14	JD 5512 00	Gear 4th Driven	1	JZ 5512 08*
15	JA 5510 07	Bush 1st Driven	1	
	JZ 5512 03	Bush 1st Driven	1	From 05.07.2010
16	JA 5512 06	Gear 1st Driven	1	
	JZ 5512 04	Gear 1st Driven	1	From 05.07.2010
17	JD 5512 09	Spline Washer	1	
18	JA 5510 08	Washer Thrust 1st Driven	1	
19	JA 5510 09	Collar Sprocket Drive	1	
20	59 2100 24	'O' Ring Collar Sprocket	1	
21	JV 5510 00	Sprocket Drive (15 T)	1	
22	DU 1012 13	Plate Lock Sprocket	1	
23	39 1981 04	Socket Head Bolt	2	

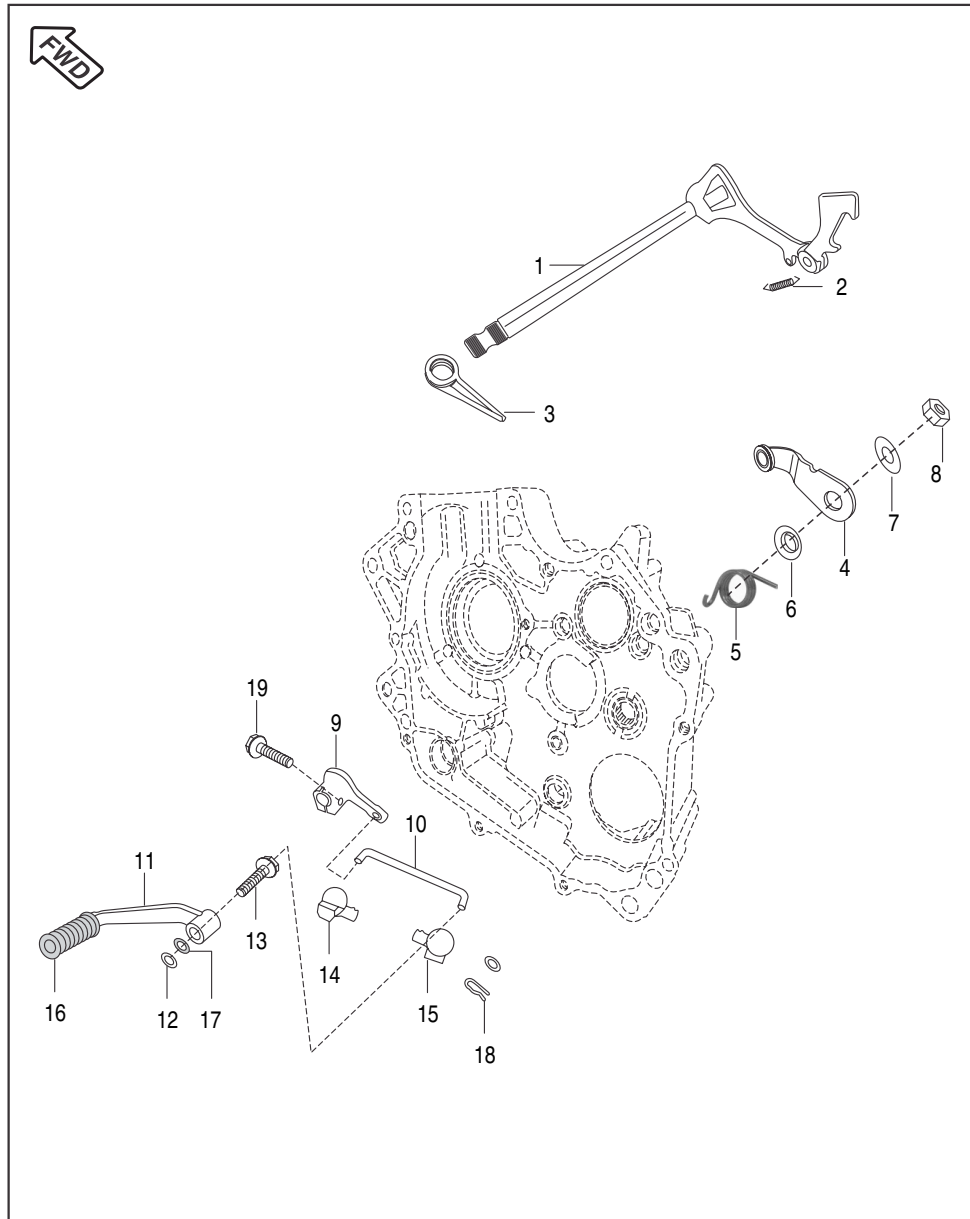
\* Forged route transmission gears & shaft of Discover 150 is commonised from engine no.JEGBTL61775 & part nos are mentioned in remarks.

Change Drum / Shift Fork



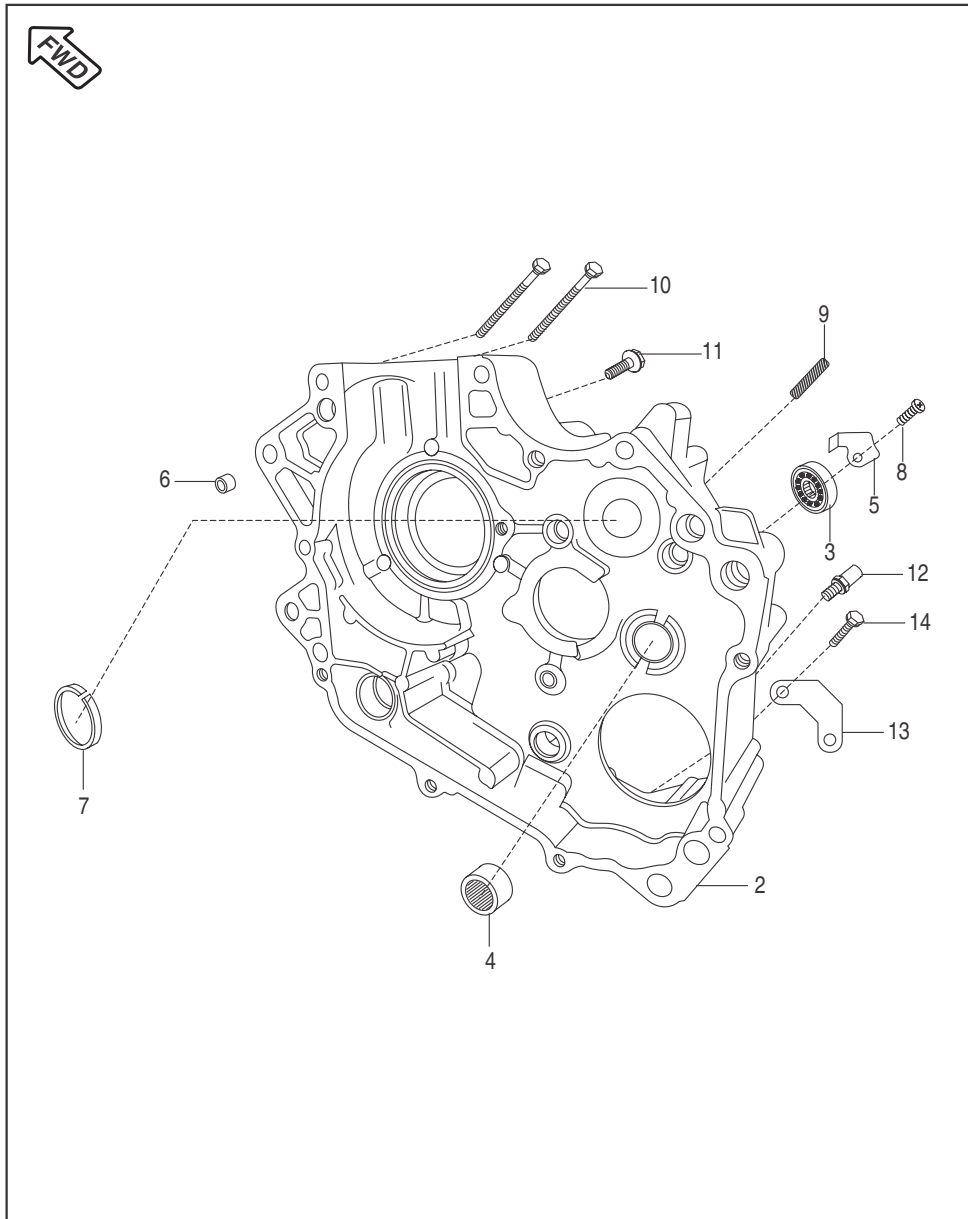
No.	Part No.	Description	Qty.	Remarks
1	JD 5610 01	Drum Complete Gear Shift	1	
	JE 5610 01	Drum Complete Gear Shift	1	From E. N.JEGBTL61775
2	39 0992 06	Dowel (Pin Drum Change)	4	
3	JD 5610 11	Special Bolt	1	
4	JD 5610 06	Shaft Gear Shift Fork	2	
5	JD 5610 04	Fork Gear Shift Output	2	
6	JD 5610 05	Fork Gear Shift Input	1	
	JZ 5610 02	Fork Gear Shift Input	1	From E. N.JEGBTL61775
7	JD 5610 02	Cam Drum Change	1	

Gear Change Mechanism



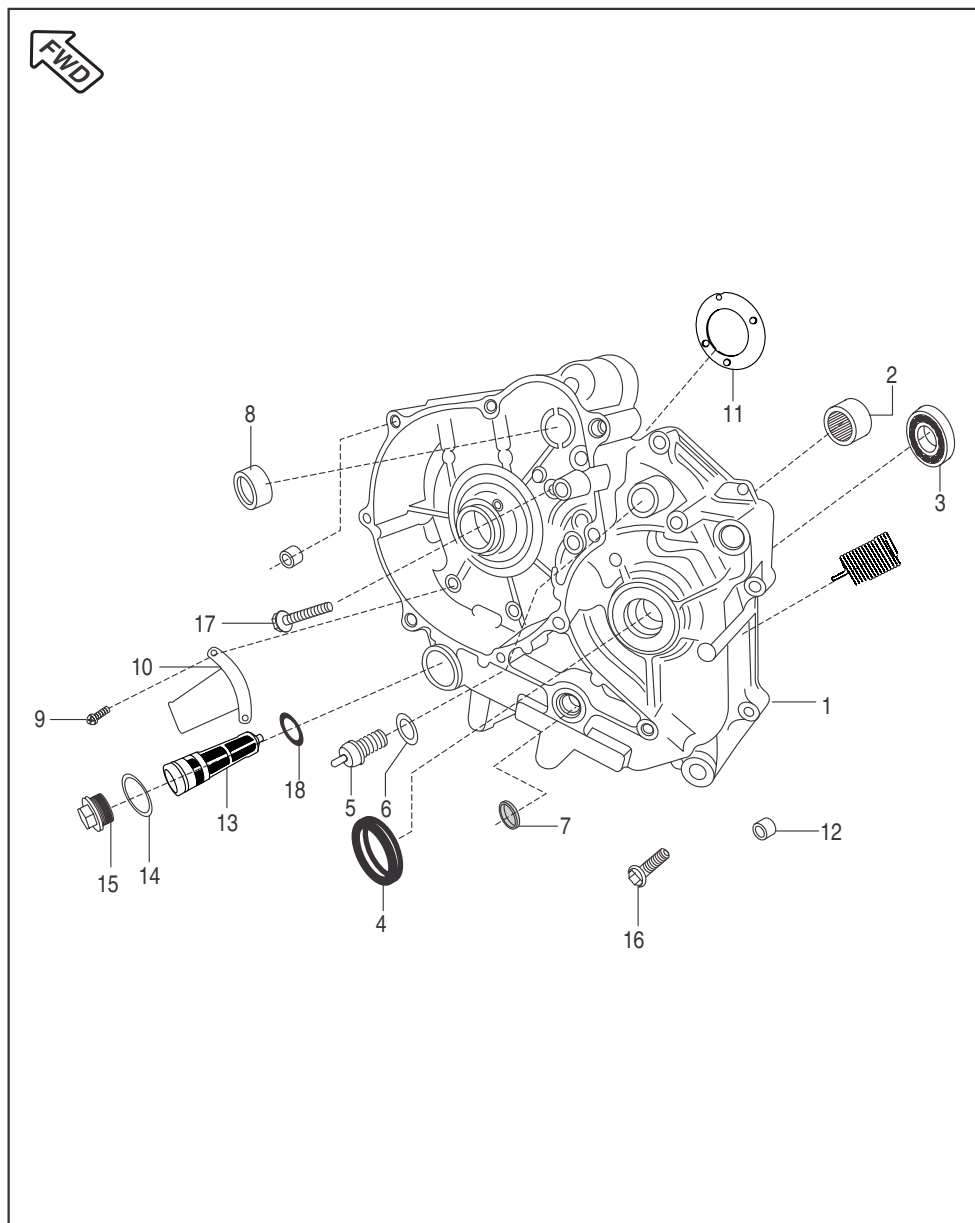
No.	Part No.	Description	Qty.	Remarks
1	JW 5612 05	Lever Complete Gear Shift	1	
2	JW 5612 06	Extension Spring	1	
3	JW 5612 08	Spring Gear Shift Return	1	
4	JD 5612 03	Inhibitor Complete Gear Shift	1	
5	JD 5612 04	Spring Inhibitor	1	
6	JA 5612 09	Step Washer (Collar)	1	
7	39 2704 11	Plain Washer	1	
8	39 0817 15	Nut	1	Alt. 39212415
9	JD 5614 11	Assembly Lever Change Arm	1	
10	JD 5614 13	Tie Rod	1	
11	JD 5614 14	Assembly Lever Complete Change	1	
12	JD 5614 16	Washer - Nylon	2	
13	JC 1910 09	Bolt Step	1	
14	JD 5614 17	Boot - Change Arm	1	
15	JD 5614 18	Boot - Change Lever	1	
16	DH 1015 09	Damper	1	
17	39 1998 19	Seal Oil	2	
18	39 0808 08	Split Pin	2	
19	39 2453 04	Bolt Flange	1	

Engine Assembly / Crankcase RH



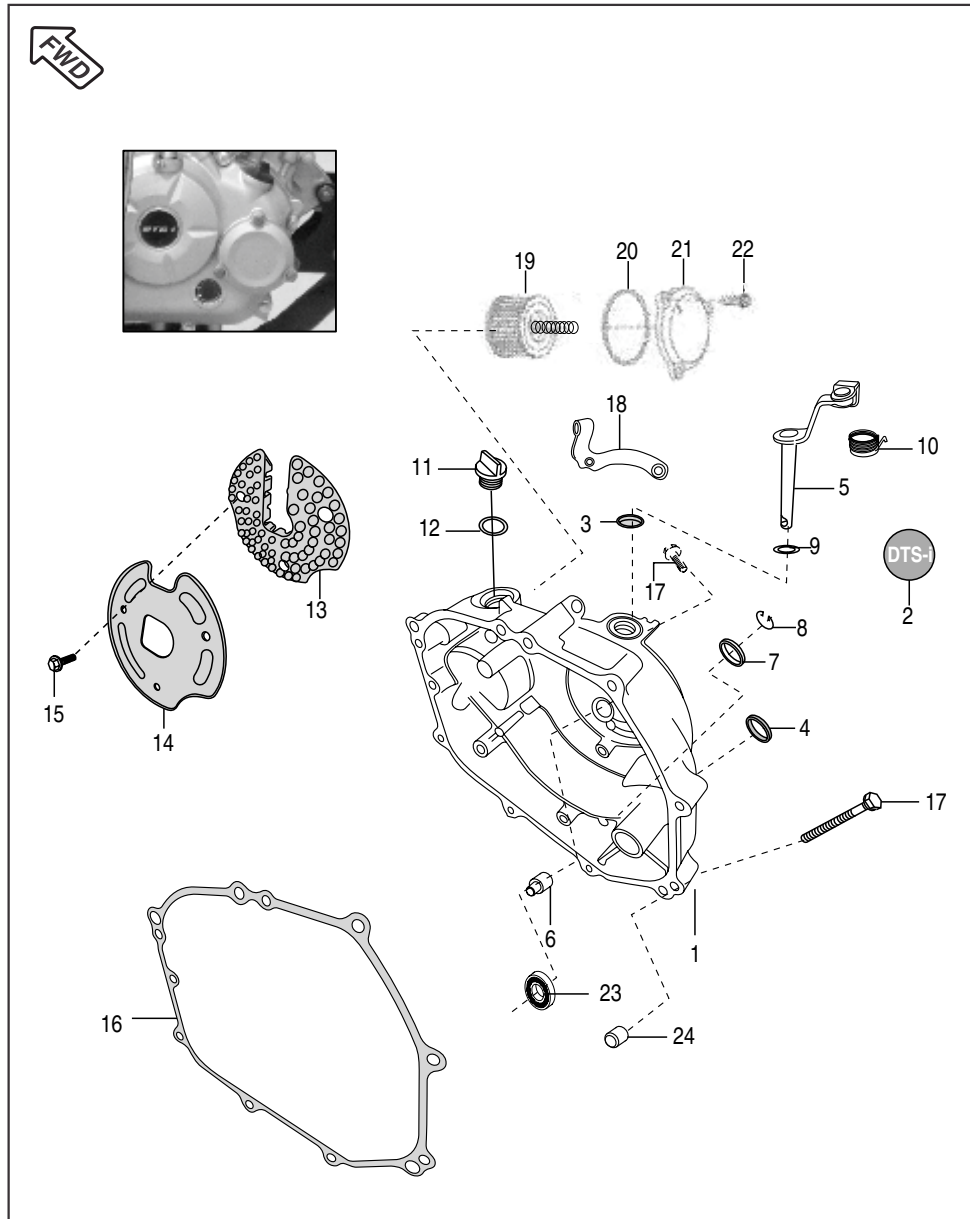
No.	Part No.	Description	Qty.	Remarks
1	JE 5010 00	Engine Assembly	1	N.I. From 18.06.2010
	JE 5010 01	Engine Assembly	1	N.I. Silver Engine
	JE 5010 09	Engine Assembly	1	N.I. From Dec 2011
2	52 JE00 12	Crankcase Clutch Side	1	NRB + Bush + Stud
	36 JZ00 09	Crankcase Clutch Side	1	From 18.06.2010
3	59 2000 36	Bearing Ball	1	For Input Shaft
4	JA 5410 11	Needle Roller Bearing	1	For Output Shaft
5	JA 5410 10	Stopper Plate	1	
6	39 0999 06	Dowel Pin	2	
7	DU 1010 85	Bushing	1	
8	DH 1013 80	Screw	1	
9	52 JA00 27	Stud Inhibitor Mounting	1	
10	39 1740 04	Bolt	2	Crankcase Mtg.
11	JV 5410 07	Bolt Flange	1	Crankcase Mtg.
12	JA 5410 14	Bolt Shift Change	1	
13	JA 5410 12	Guide Kick	1	
14	39 1964 04	Hexagon Bolt	2	Alt. Dj101302

Crankcase LH



No.	Part No.	Description	Qty.	Remarks
1	52 JE00 13	Crankcase Mag. Side	1	NRB + Bush + Nozzle Oil Jet
	36 JZ00 11	Crankcase Mag. Side	1	From 18.06.2010
2	39 2562 20	Needle Roller Bearing	1	
3	59 2000 36	Ball Bearing	1	
4	39 1715 19	Seal Oil	1	Output Shaft
5	31 2010 81	Neutral Switch	1	
6	DH 1017 84	Gasket Neutral Switch	1	
7	39 2190 19	Oil Seal	1	Shifter Shaft
8	JA 5410 05	Bush Starter Clutch	1	Starter Clutch
9	39 0747 01	Pan Head Screw	2	
10	JA 5410 34	Stopper Gear Starter Clutch	1	
11	JA 5410 27	Damper	1	
12	39 0999 06	Hollow Dowel Pin	2	
13	JA 5410 19	Mesh Filter Oil strainer	1	
14	59 2100 23	'O' Ring Cap Strainer	1	
15	JA 5410 21	Cap Strainer	1	
16	JV 5410 07	Bolt Flange	6	Crankcase Mtg.
17	39 1759 04	Bolt	1	Crankcase Mtg.
18	JA 5410 20	'O' Ring Mesh Filter Oil Strainer	1	

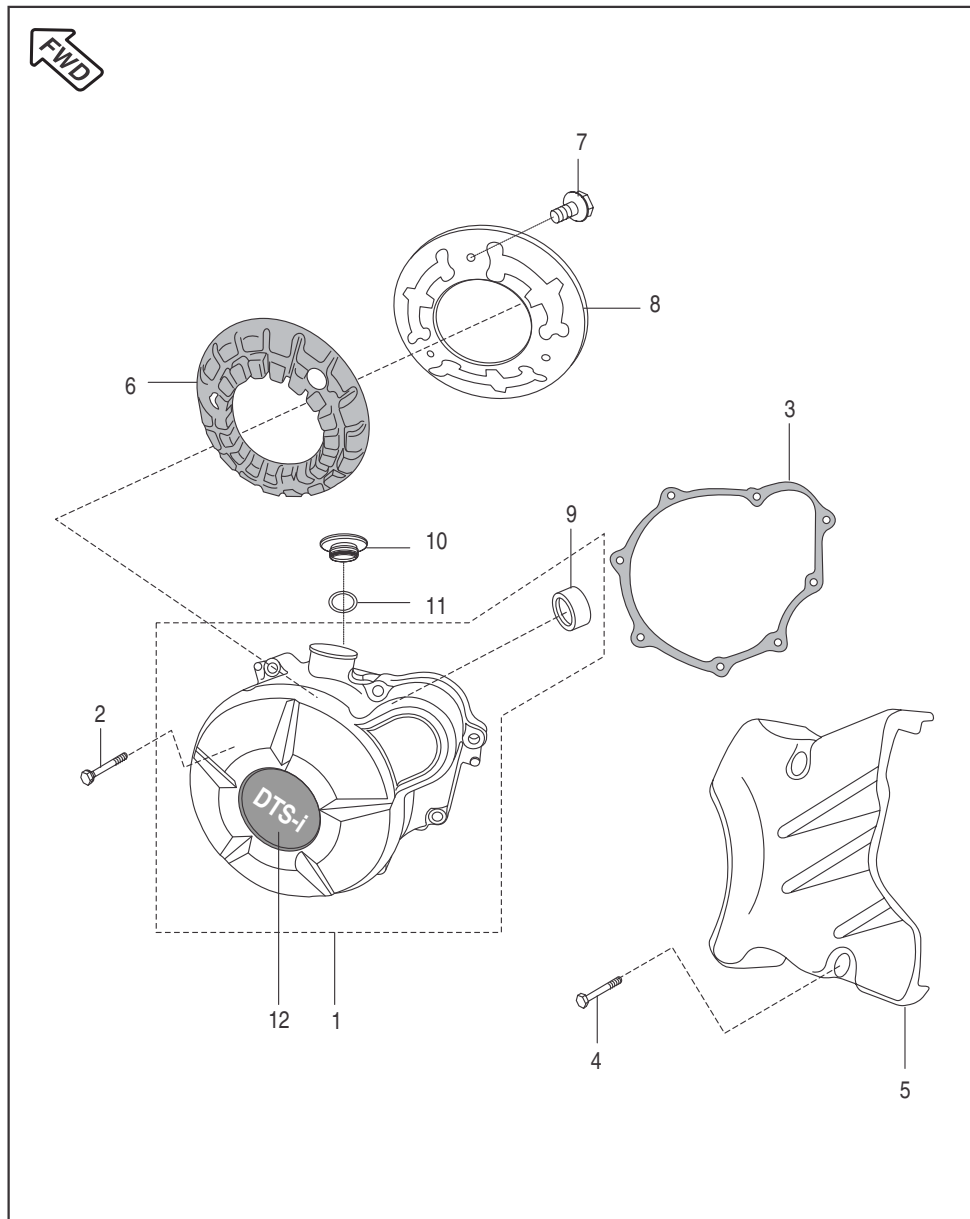
Cover Clutch



No.	Part No.	Description	Qty.	Remarks
1	52 JE00 18	Clutch Cover (Silver)	1	With Dcl + Gauge + Circlip
	36 JZ00 13	Kit Assly Clutch Cover (Black)	1	From 16.06.2010
	36 JD00 10	Kit Assly Clutch Cover (MLS)	1	From Dec 2011
2	JE 5412 11	Decal Clutch Cover	1	
3	39 1041 19	Oil Seal Clutch Lever	1	
4	30 1011 42	Oil Seal (Kick Shaft)	1	
5	JV 5412 08	Shaft Clutch Release	1	
6	JE 5514 01	Rod Push	1	
7	DG 1014 18	Gauge	1	Oil Level Check
8	DS 1012 15	Wire Circlip	1	
9	39 2443 11	Plain Washer	1	
10	DS 1011 23	Spring Torsion Clutch Lever	1	JA541237 From 16.06.2010
11	JA 5412 11	Cap Oil Filler	1	
12	JA 5412 25	'O' Ring Cap Oil Filler	1	
13	JE 5412 09	Damper	1	
14	JA 5412 16	Plate Damper	1	
15	LA D000 18	Bolt Flange	3	
16	JA 5412 12	Gasket Clutch Cover	1	
17	JV 5410 07	Bolt Flange	8	Clutch Cover to
	59 0400 38	Bolt Flange -From 16.06.2010	8	Crankcase Mtg
18	JV 5412 09	Bracket Clutch Cable	1	JW541000 From 16.06.2010
19	DD 1211 81	Oil Filter Element	1	
20	39 1671 21	'O' Ring	1	
21	JE 5412 08	Cap Filter	1	JZ541214 From 16.06.2010
	JE 5412 18	Cap Filter	1	From Dec 2011
22	39 167304	Bolt Flange	3	
23	14 1510 33	Bearing Wheel Clutch Lifter	1	
24	39 0999 06	Pin Hollow Dowel	2	

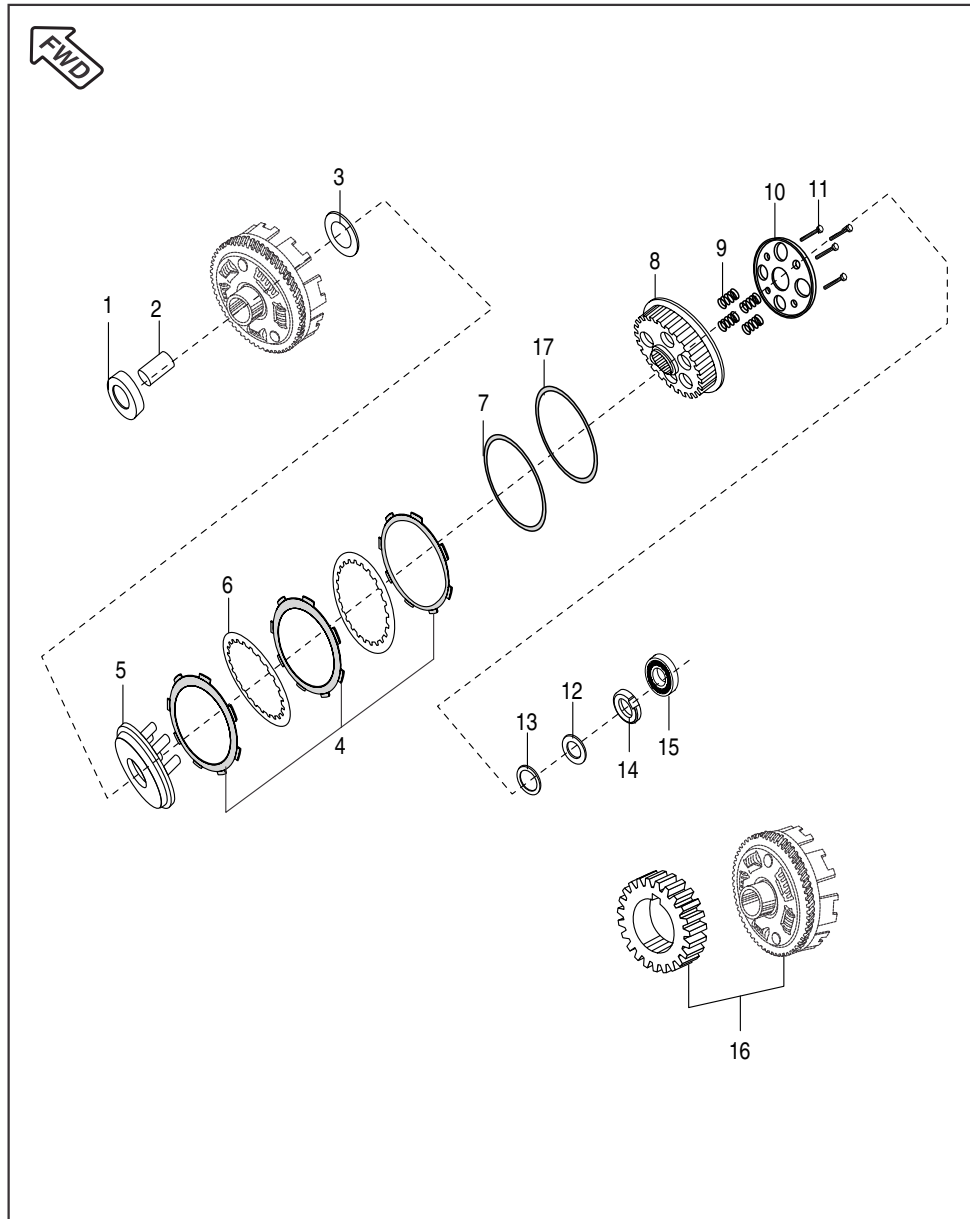


**Cover Magneto**



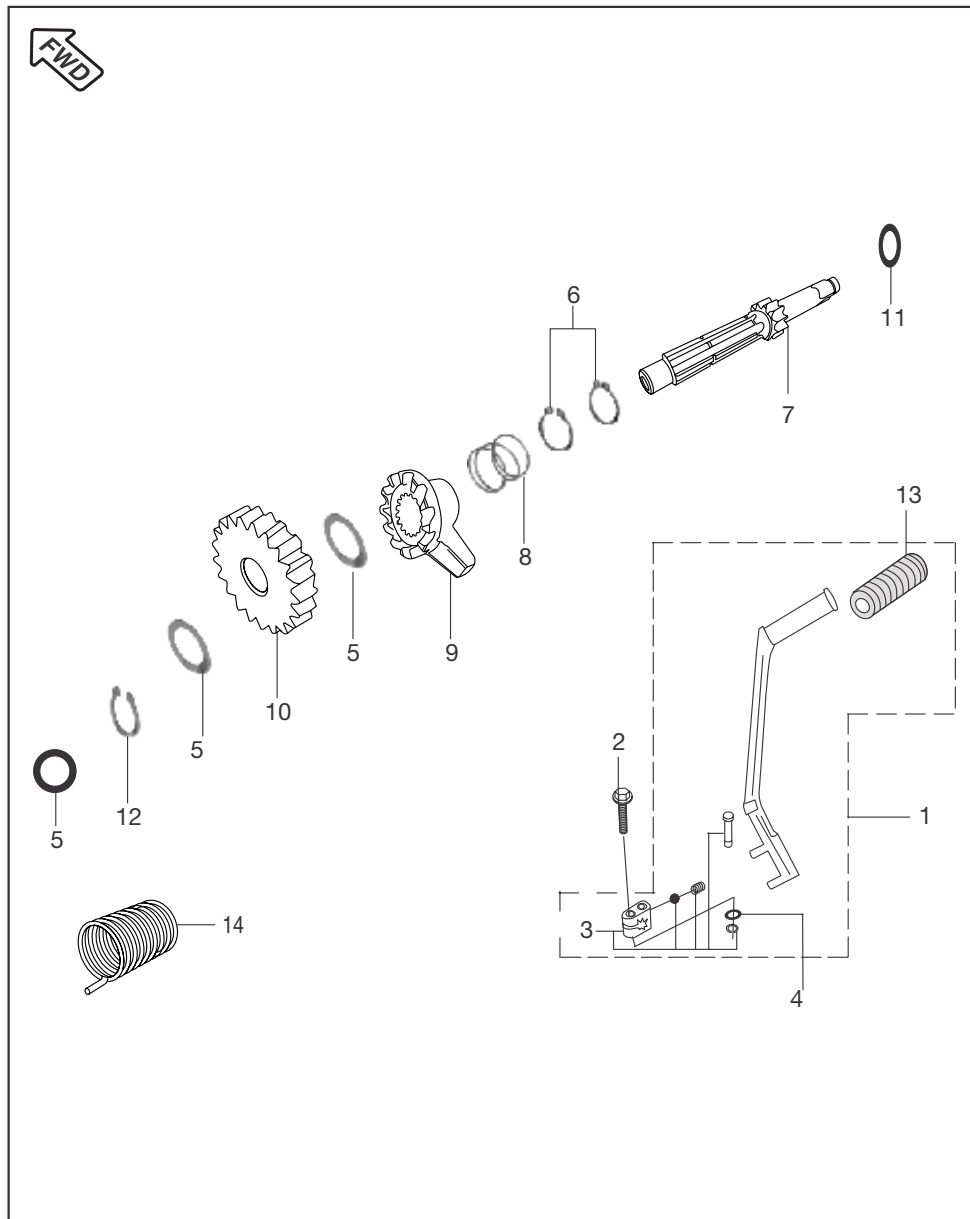
No.	Part No.	Description	Qty.	Remarks
1	52 JE00 17	Cover Magneto	1	With Bush
	36 JZ00 15	Kit Assly Cover Magneto	1	From 18.06.2010
	36 JD00 09	Kit Assly Cover Magneto	1	From Dec 2011
2	39 1065 04	Bolt Flange	8	
3	JA 5412 05	Gasket Magneto Cover	1	
4	JV 5410 07	Bolt	2	
5	JE 5412 07	Cover LH Rear Complete	1	
	52 JE00 49	Cover LH Rear Complete	1	From Dec 2011
6	JE 5412 10	Damper Cover Magneto	1	
7	LA D000 18	Flanged Bolt	3	
8	JA 5412 21	Plate Damper Cover Magneto	1	
9	JA 5410 05	Bush	1	For Drive Gear Assly
10	JV 5412 07	Threaded Cap TDC Finder	1	
	JA 5412 33	Threaded Cap TDC Finder	1	From 18.06.2010
11	30 1011 95	'O' Ring	1	
12	JE 5412 12	Decal Magneto Cover	1	
13	DJ 1610 12	Gear Shift Label	1	From Dec 2011

Clutch Assly



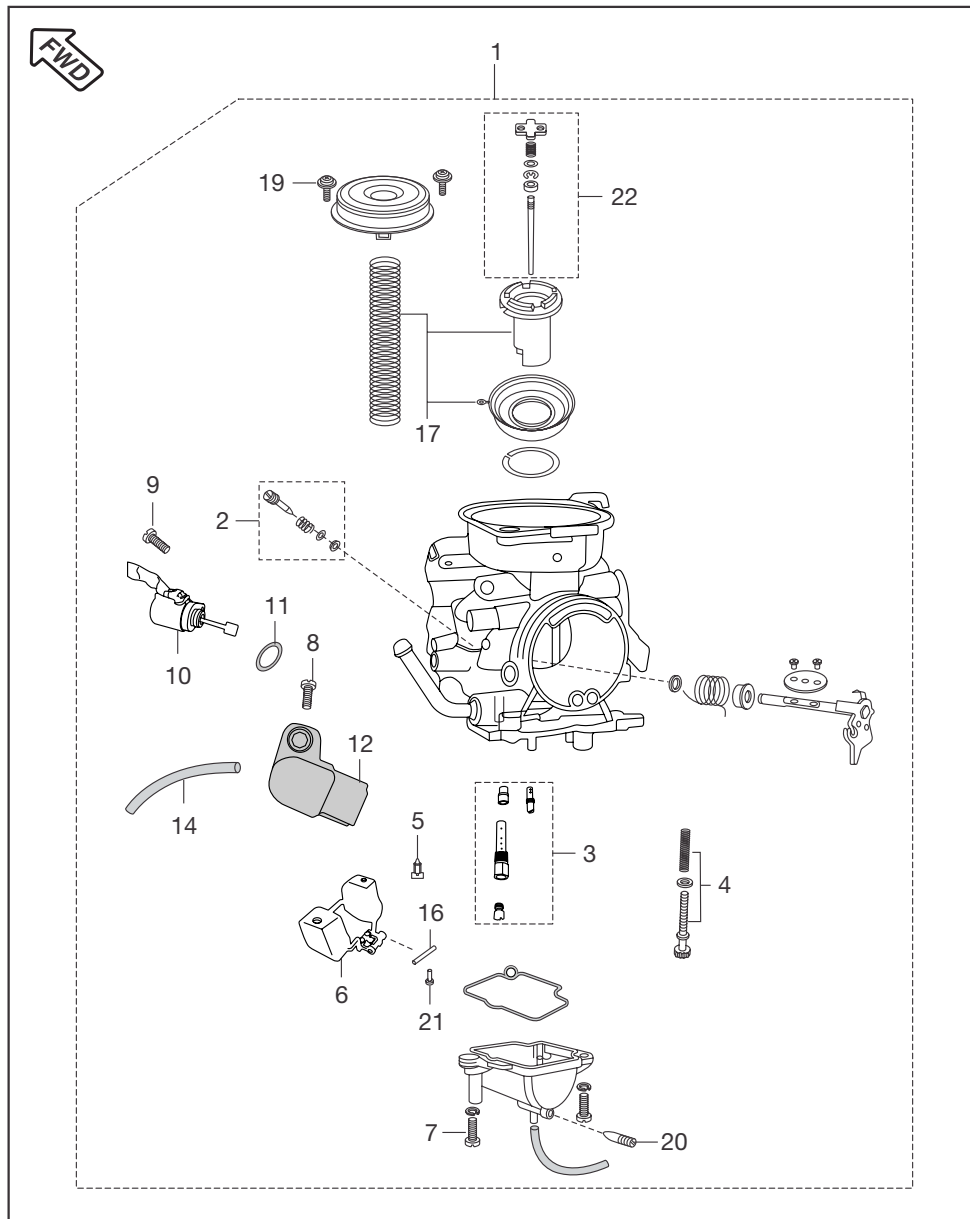
No.	Part No.	Description	Qty.	Remarks
1	JD 5514 00	Spacer Clutch Assely	1	'JD' Mark for I.D.
2	JA 5514 06	Collar Clutch	1	
3	39 2600 11	Washer	1	
4	36 JE00 05	Friction Plate Kit	1	
5	DP 1011 07	Wheel Clutch	1	
6	DP 1011 11	Plate Clutch	4	
	JG 5514 17	Plate Clutch	4	Alternate
7	JA 5514 22	Plate Judder Spring	1	
8	JE 5514 03	Hub Clutch	1	
9	JE 5514 04	Compression Spring	4	
10	JE 5514 05	Holder Clutch	1	
11	DP 1011 16	Bolt Flange	4	
12	39 2200 11	Belleville Washer	1	
13	39 0240 11	Plain Washer	1	
14	DH 1016 48	Nut Special	1	L.H. Threads
15	14 1510 33	Bearing Clutch Lifter	1	
16	36 JE00 04	Set Primary Drive & Driven	1	Refer Page No. 105
17	DP 1011 14	Spring Anti Judder	1	
18	JE 5514 00	Clutch Assly	1	

Kick Starter Mechanism



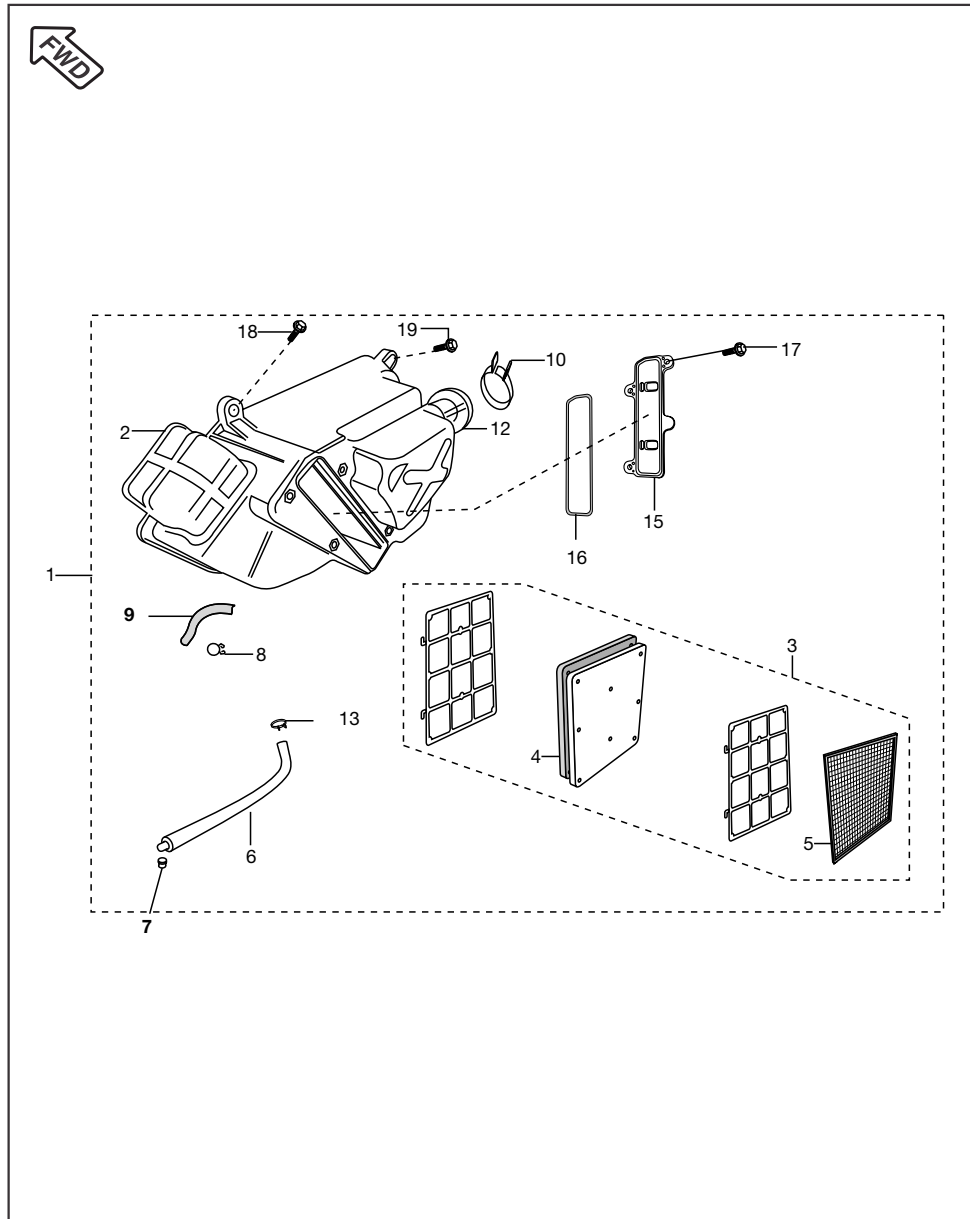
No.	Part No.	Description	Qty.	Remarks
1	JE 6212 00	Lever Assly Kick	1	
2	DP 1510 18	Bolt Special	1	
3	36 DU10 07	Boss Kick Set	1	Refer Page No. 105
4	22 1502 41	Plain Washer	1	
5	39 0993 11	Plain Washer Small	3	
6	39 0738 17	Circlip Shaft	2	
7	JD 6210 01	Shaft Kick	1	
8	DS 1011 17	Spring Kick Starter	1	
9	JA 6210 02	Ratchet	1	
10	JB 6210 03	Gear Spur Kick Starter	1	
	JZ 6210 00	Gear Spur Kick Starter	1	From 05.07.2010
11	JA 6210 06	Washer Thrust	1	
12	39 2408 17	Circlip	1	
13	DD 1010 97	Kick Rubber	1	
14	JE 5410 08	Spring Kick Starter Return	1	

**Carburettor**



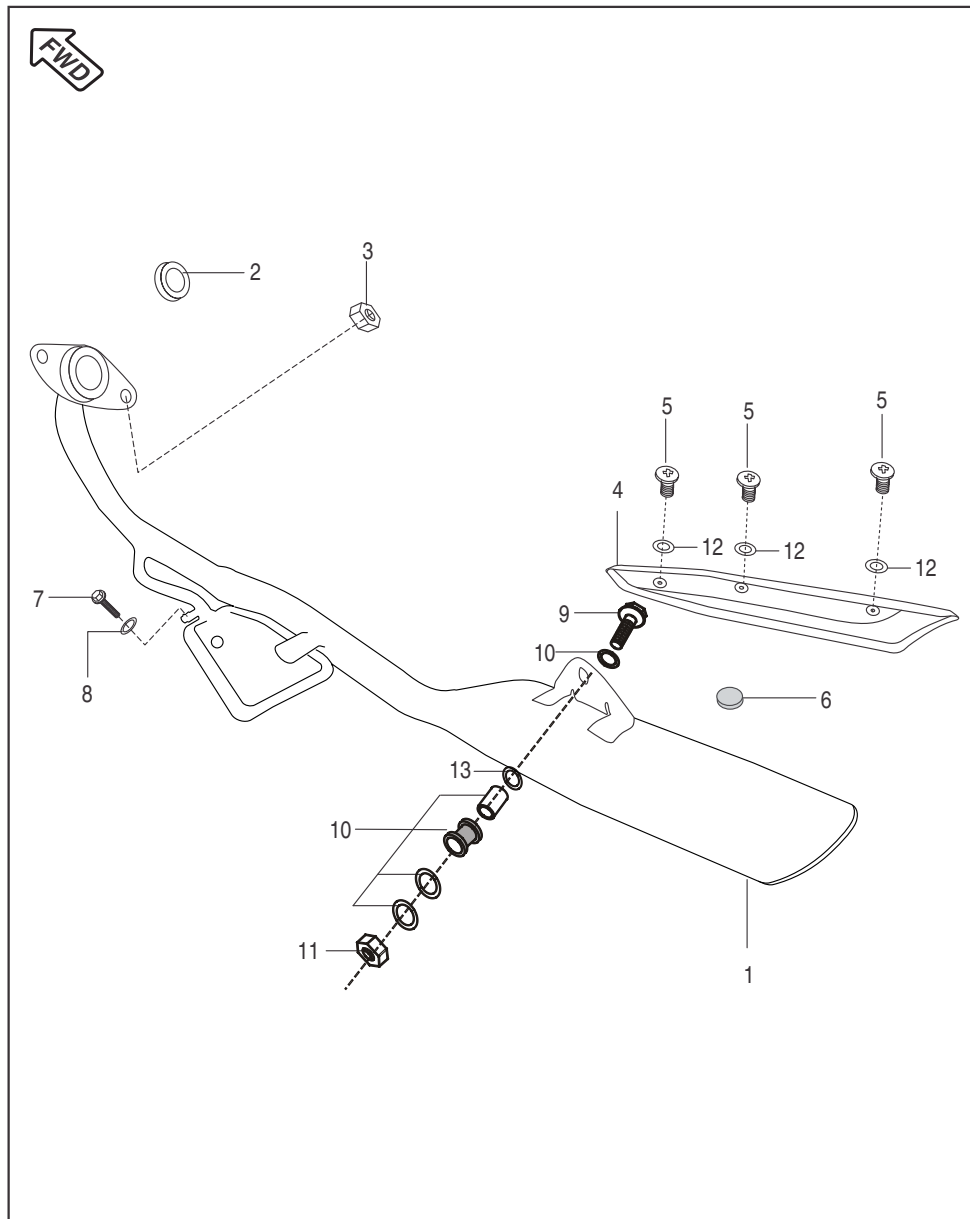
No.	Part No.	Description	Qty.	Remarks
1	JE 5812 00	Carburettor assly.	1	
	JE 5812 30	Carburettor assly.	1	From 20.01.2012
2	36 JD00 02	Air screw Kit	1	Refer Page No. 106
3	36 JD00 01	Jet Kit	1	Refer Page No. 106
4	DK 1210 41	Idling screw kit	1	Refer Page No. 106
5	DH 1210 93	Valve complete float (Float pin)	1	
6	DH 1210 59	Float complete	1	
7	DP 1210 67	Screw Float chamber	3	
8	JE 5812 20	Screw TPS	1	
9	JE 5812 22	Screw Solenoid choke	1	
10	JE 5812 21	Solenoid choke assly	1	
11	JE 5812 15	"O" ring solenoid choke	1	
12	JD 5812 02	Throttle position sensor	1	
	JD 3518 00	Throttle position sensor (Flash make)	1	From 20.01.2012
13	JE 5812 25	"O" Ring (TPS)	1	N.I.
14	JE 5812 23	Tube Over Flow	1	
15	JE 5812 24	Tube Air Vent	1	N.I.
16	DH 1210 63	Float Pin	1	
17	36 JD00 04	Vacuum Piston Kit	1	Refer Page No. 106
18	36 JD00 05	Carburettor Gasket 'O' ring Kit	1	Refer Page No. 106
19	JE 5812 19	Screw for Diaphragm Cover	1	
20	JE 5812 18	Drain Screw	1	
21	DH 1210 64	Screw Needle Shaft	1	

**Air Cleaner Complete**



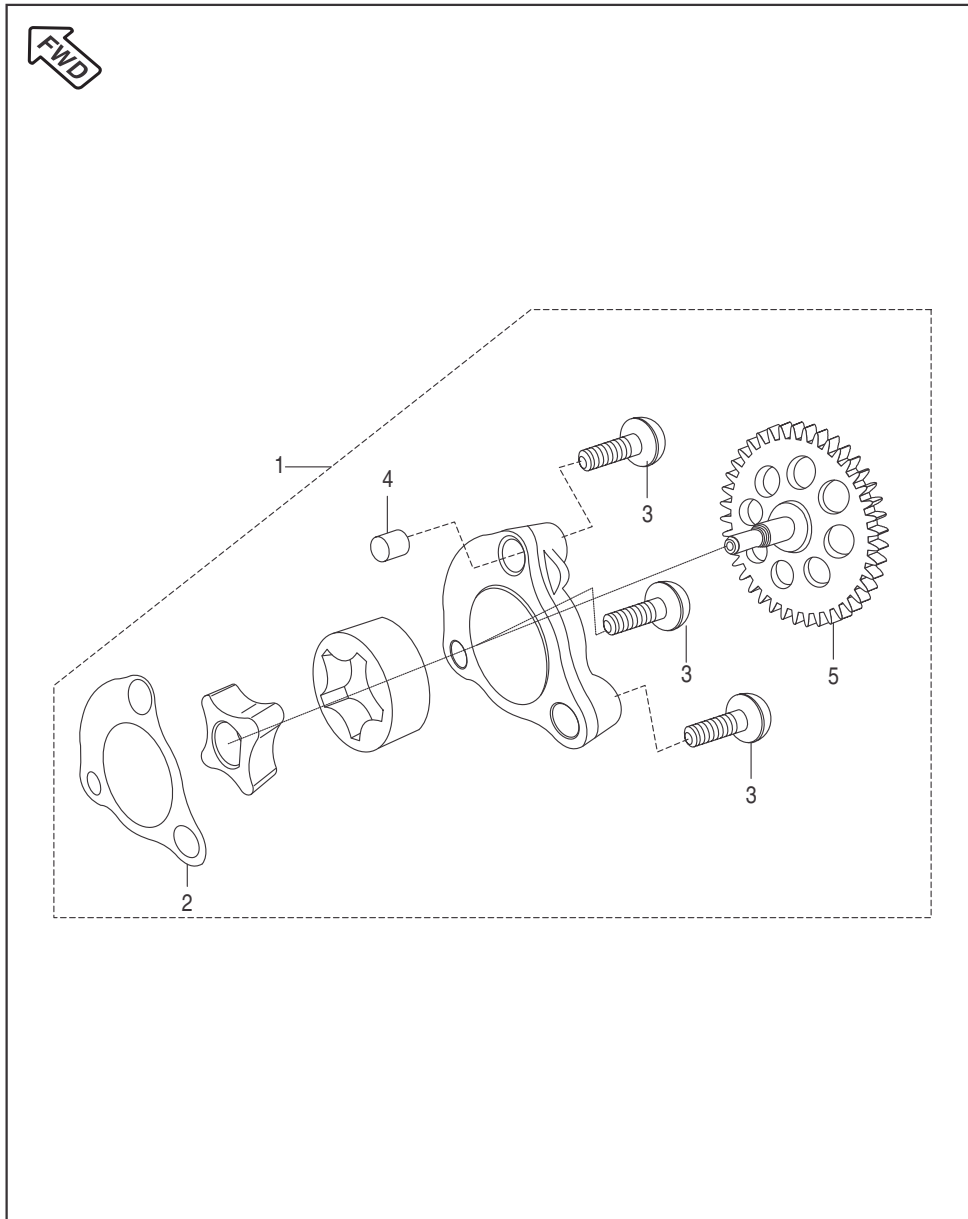
No.	Part No.	Description	Qty.	Remarks
1	JD 5810 05	Air Filter Assly	1	
2	JD 5810 01	Air Filter Duct	1	Intake
3	JA 5810 05	Assly Cartridge Air filter	1	
4	JA 5810 06	Element Air Filter	1	
5	JA 5810 09	Flame Arrester	1	
6	JA 5810 12	Tube Drain	1	
7	DS 1211 26	Plug	1	
8	DG 1210 02	Clamp	1	
9	JA 5110 11	Hose Breather	1	N.I.
10	DH 1210 38	Band Insulator	1	
11	JD 1110 12	Bracket Side Cover Mtg.	1	N.I.
12	JE 5810 00	Connecting Tube	1	
13	39 2754 04	Hex Head Bolt	2	
14	JD 5810 07	Filter Air Cover	1	
15	JA 5810 13	Cove Assembly Cartridge	1	
16	JA 5810 11	'O' Ring Cartridge Cover	1	
17	39 1773 04	Flange Bolt	4	For Cartridge Cover
18	JA 5210 19	Flange Bolt	2	
19	39 1677 04	Flange Bolt	1	

Silencer Assembly



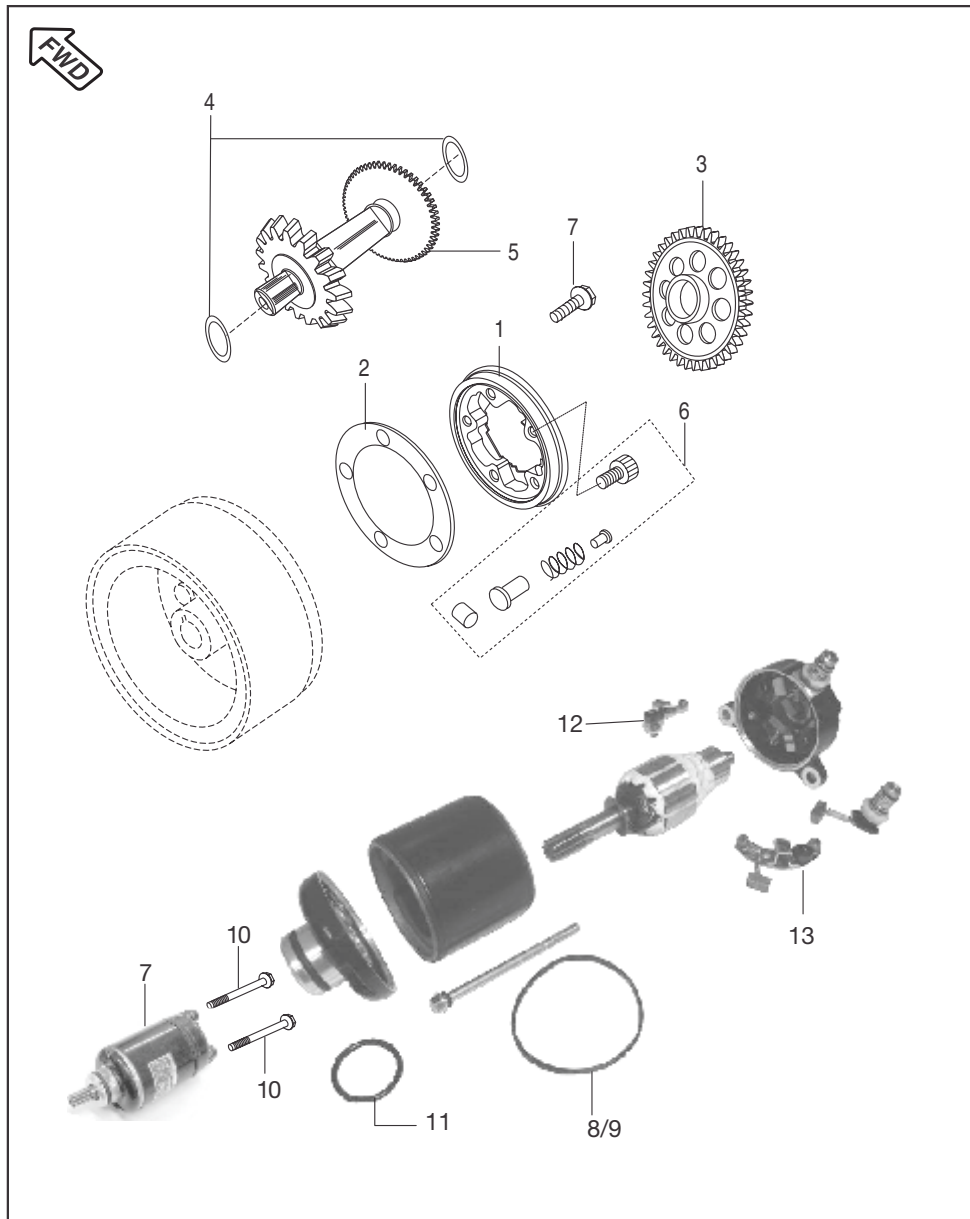
No.	Part No.	Description	Qty.	Remarks
1	JD 5910 56	Silencer Assly Without Shield	1	
2	CB 1011 14	Gasket Exhaust Mounting	1	
3	JA 5910 40	Flange Nut	2	
4	JD 5910 26	Shield Silencer	1	
5	DH 1013 95	Truss Screw	3	
6	JW 5910 30	Grommet Shield	1	
7	39 2754 04	Bolt Hex with Flange M5	1	
8	39 2492 11	Plain Washer	1	
9	DK 1013 14	Bolt M10X 1.25	1	
10	36 DK00 09	Hardware Kit	2	Silencer Mtg.
11	DD 1610 71	U Nut M10X1.25	1	
12	DH 1013 01	Seal Shield Muffler	3	
13	39 2425 11	Plain Washer	1	From 03.09.2010

Oil Pump



No.	Part No.	Description	Qty.	Remarks
1	52 JA00 23	Oil Pump Assly	1	
2	JA 5410 16	Gasket Case Oil Pump	1	
3	FD 1010 78	Pan Head Screw	3	Alt. Dx101068
4	39 0992 06	Dowel	2	
5	JA 5410 18	Gear Driven + Shaft Oil Pump	1	

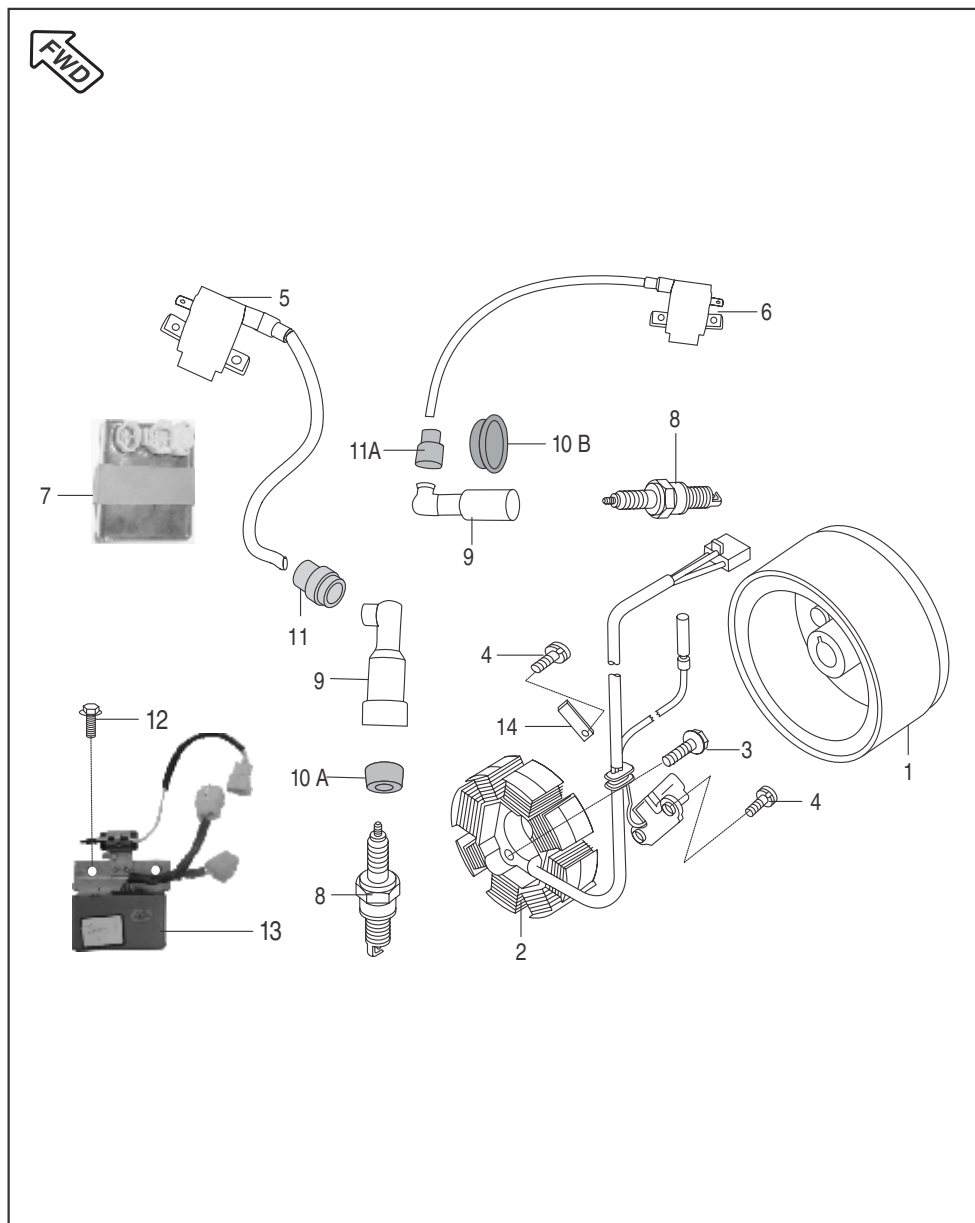
Starter Assembly



No.	Part No.	Description	Qty.	Remarks
1	JA 6214 14	Body Complete Starter Clutch	1	
2	DH 1017 81	Plate Roller Clutch	1	
3	JA 6214 10	Gear Starter Clutch	1	
4	JA 6214 02	Washer	2	
5	JA 6214 06	Drive Assly	1	
6	36 JW00 14	Starter Clutch Repair Kit	1	Refer Page No. 105
7	JA 3516 00	Motor Assly	1	
8	JA 3516 06	Sealing Ring (Flash)	1	
9	JA 3516 26	Sealing Ring (Lucas- TVS)	1	
10	39 1673 04	Flange Bolt	2	Motor Mounting
11	JA 3516 02	'O' Ring For Spigot (Flash)	1	
	JA 3516 27	'O' Ring For Spigot (Lucas- TVS)	1	
12	JA 3516 08	+ve Brush Holder Assly (Flash)	1	
13	JA 3516 09	-ve Brush Holder Assly (Flash)	1	
14	JA 3516 18	Brush and Earth Plate assly	1	N.I. (Lucas- TVS)
15	JA 3516 24	Brush Spring	1	N.I. (Lucas- TVS)
16	JA 3516 19	Terminal assly.	1	N.I. (Lucas- TVS)

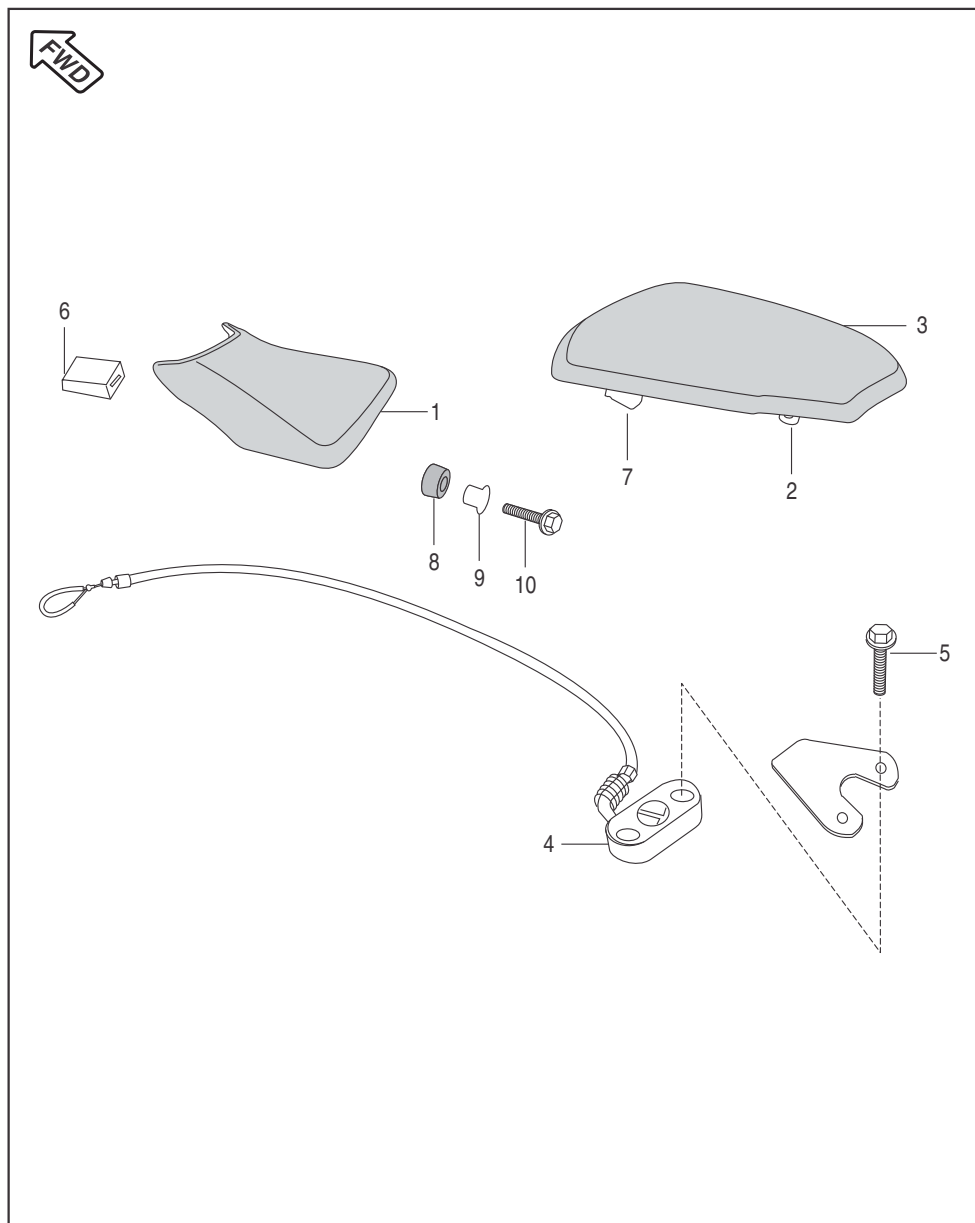


Magneto, CDI & H.T. Coil



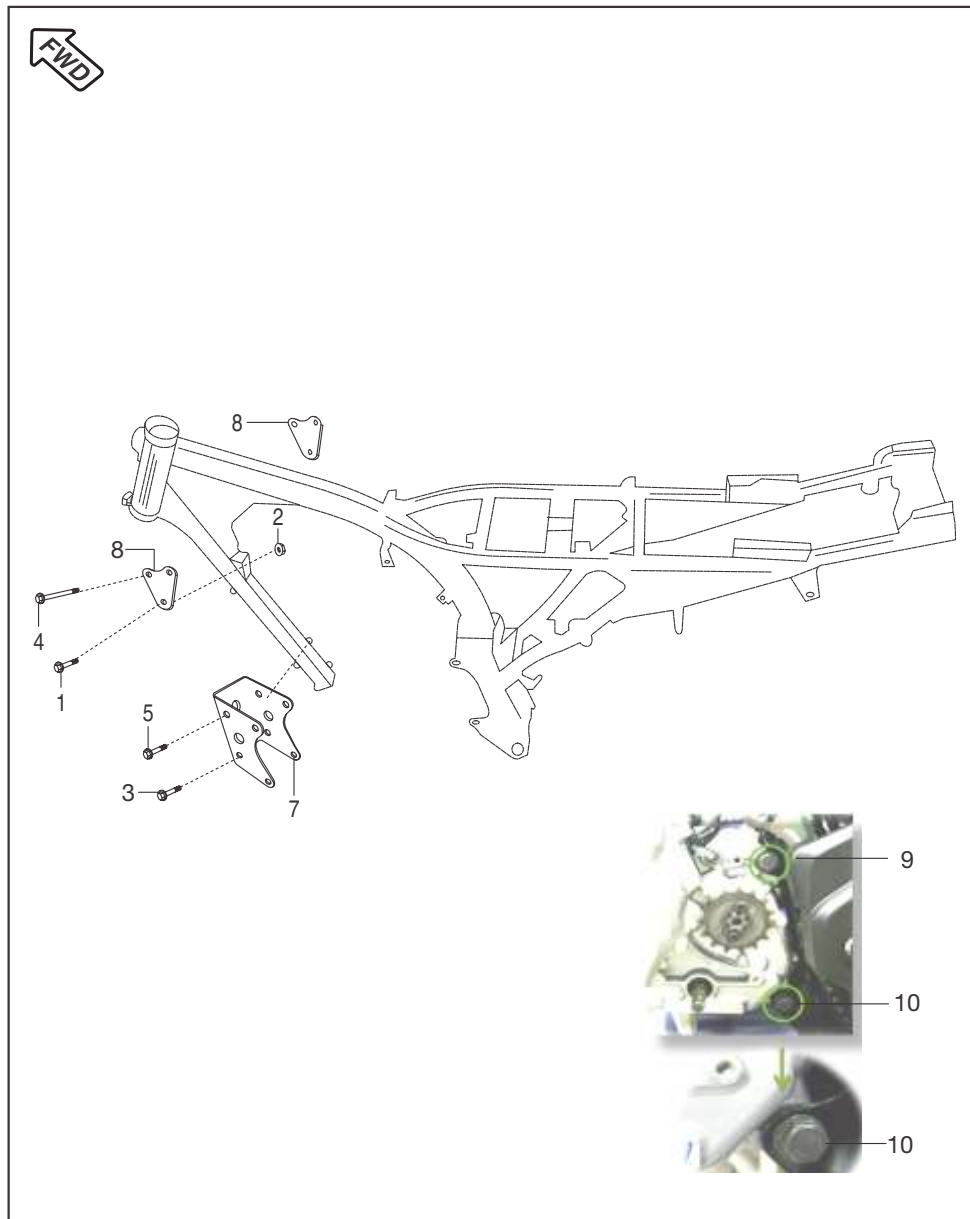
No.	Part No.	Description	Qty.	Remarks
1	JE 3510 02	Rotor Assly (ES)	1	
2	JP 3510 07	Stater Assly Complete	1	
3	39 1675 04	Bolt Flange	2	
4	39 0746 01	Pan Head Screw	3	For lock Plate & Pick Up Coil mtg.
5	JE 3512 03	H. T. Coil LH with Cap	1	
6	JE 3512 04	H T Coil RH with Cap	1	
7	JE 3512 00	C.D.I. Assly	1	
8	DD 1110 18	Spark Plug PRZ9 HC Or	2	
	CF 1110 19	Spark Plug Bosch UR4AC	2	
9	DD 1110 48	Spark Plug Cap LH	2	
	DH 1110 15	Spark Plug Cap RH	1	
10A	DD 1110 11	Grommet Spark Plug Cap LH	1	
10B	JD 3512 06	Grommet Spark - Plug Cap RH	1	
11	DD 1110 12	Grommet for HT Cable LH	1	
11A	DH 1110 13	Grommet for HT Cable RH	1	
12	39 1943 04	Bolt Flange	2	
13	JW 4020 01	DC Regulator with Capacitor	1	
14	JA 5410 28	Lock plate	1	
15	59 0400 14	Bolt Flange (N.I.)	4	For H.T. Coil Mounting

Seat Assembly / Seat Lock



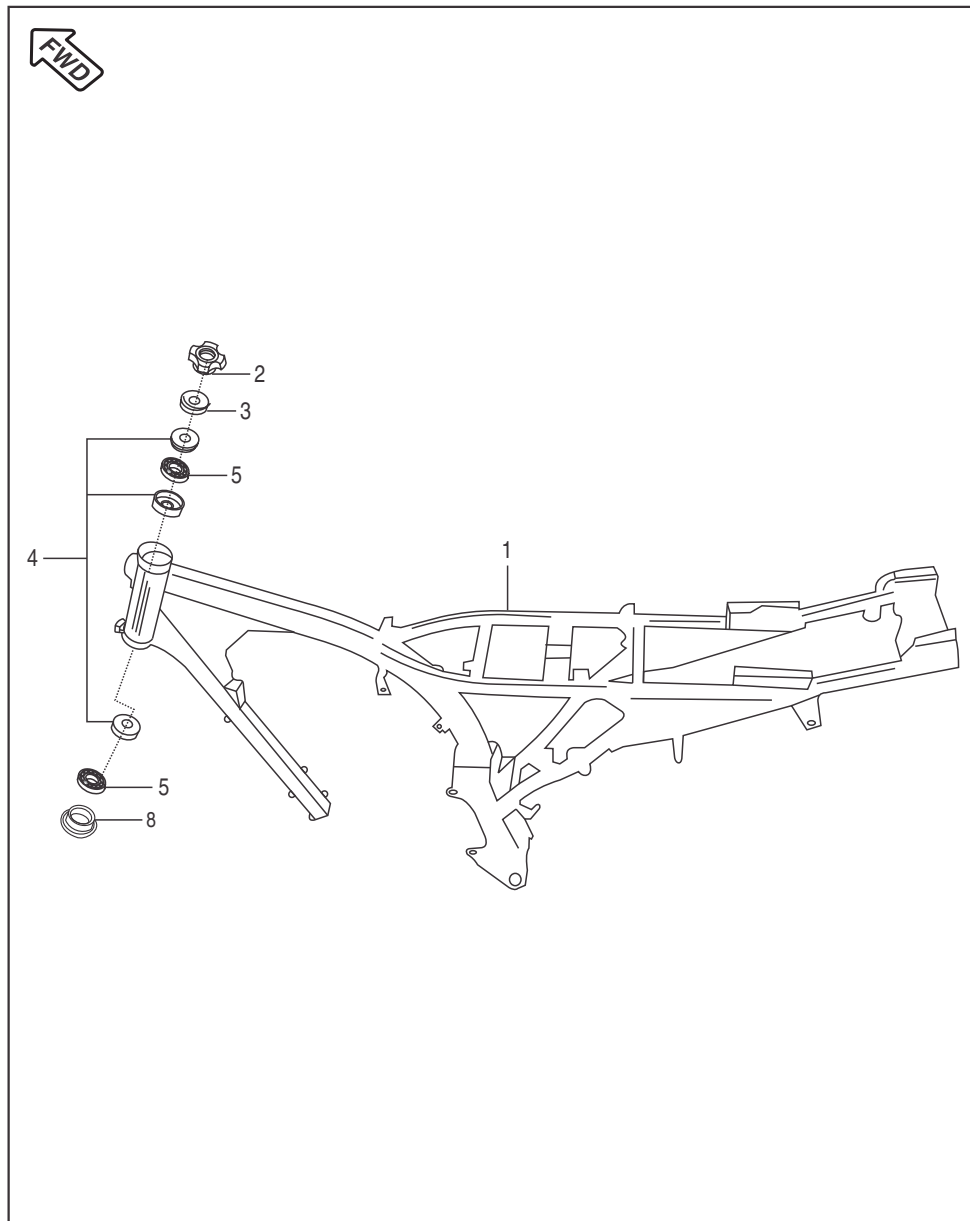
No.	Part No.	Description	Qty.	Remarks
1	JD 1910 00	Seat Assly Complete Front	1	
	JD 1910 12	Seat Assly Complete Front	1	From 07.09.2011
2	DS 2110 05	Damper	6	
3	JD 1910 03	Seat assly Complete Rear	1	
4	DK 2110 08	Lock Assly Seat Rear	1	
5	39 1902 04	Bolt Flange	2	
6	DK 2110 07	Damper Front	1	
7	JD 1910 06	Damper Round	2	
8	JD 1910 07	Grommet Rider Seat Mounting	1	
9	JD 1910 08	Collar Rider Seat Mounting	1	
10	DJ 1810 77	Special Bolt M-6	1	
11	KA DA06 18	Bolt Flange Small	1	From 07.09.2011
12	DJ 1810 64	Grommet	1	From 07.09.2011
13	DJ 1810 29	Collar	1	From 07.09.2011
14	JD 1138 07	Bracket Rider Seat Mounting	1	From 07.09.2011

Engine Mountings



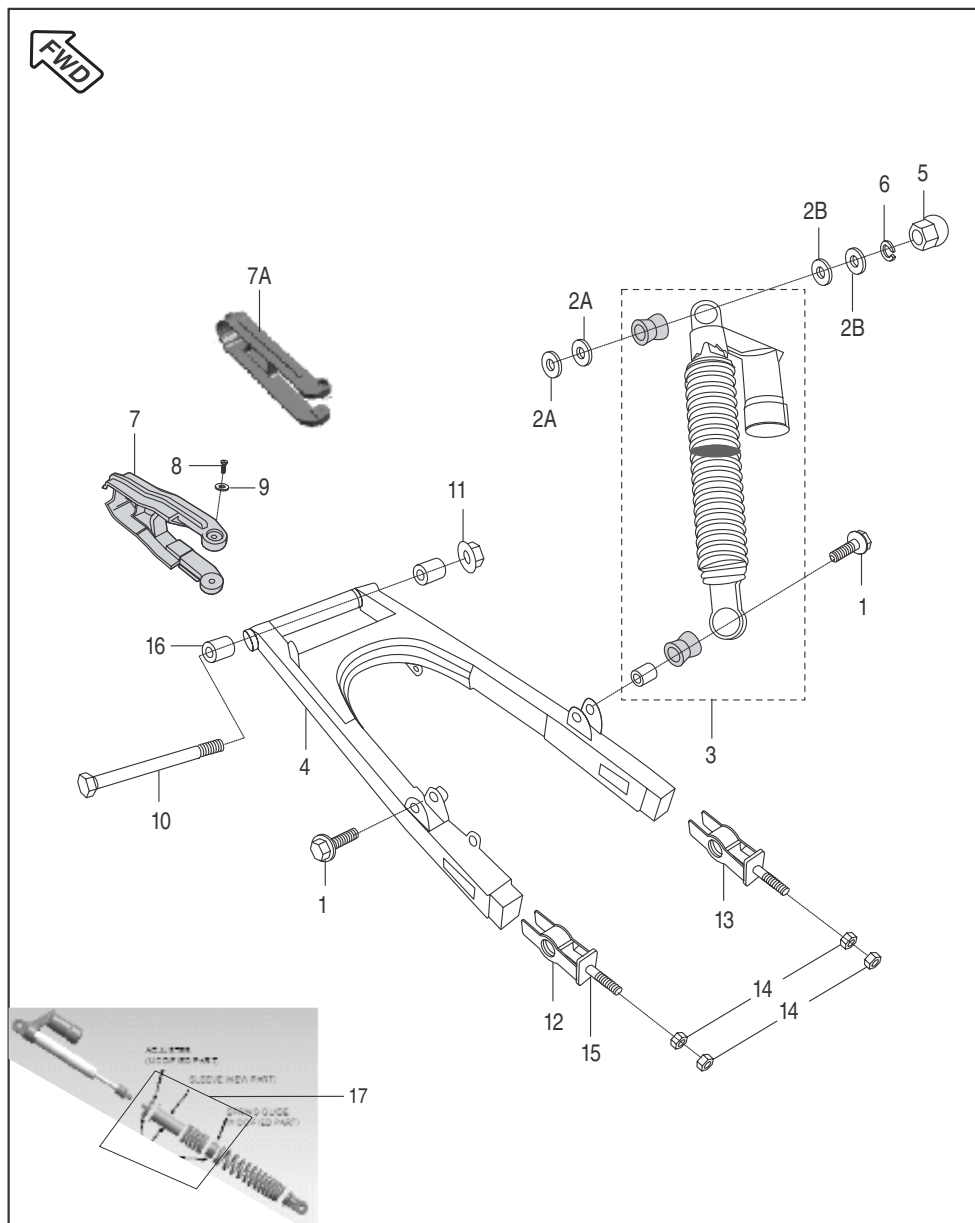
No.	Part No.	Description	Qty.	Remarks
1	JA 1134 03	Flange Bolt M10x10	2	
2	39 1970 15	Nut Flanged	7	
3	39 2312 04	Bolt Flanged	3	
4	39 2498 04	Bolt Flanged	1	
5	JA 1134 04	Bolt Flanged	3	
6	39 2723 15	Flanged Nut	2	
7	JA 1134 02	Bracket Complete Engine Front	1	
8	JD 1134 00	Engine Mounting Bracket Rear Top	2	
9	JA 1134 03	Engine Mounting Rear Bolt Top	1	
10	39 2702 04	Bolt Flanged	1	

Frame and Frame Fittings



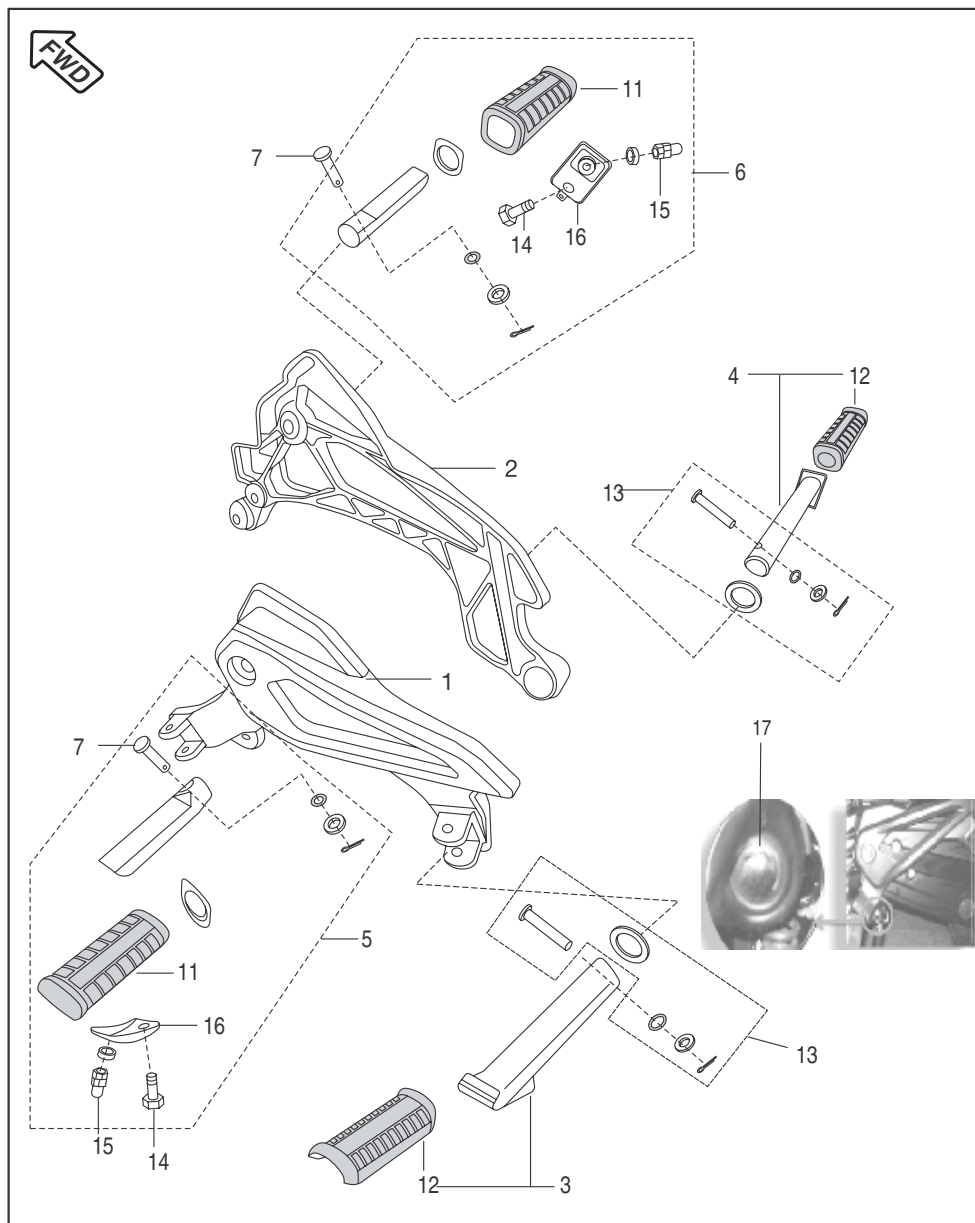
No.	Part No.	Description	Qty.	Remarks
1	JD 1110 01	Frame Assly. Comp.	1	
2	30 1810 11	Nut Fork	1	
3	DH 1810 14	Cup - Steering	1	
4	36 DS18 02	Bearing Cone Kit or	1	Refer Page No.105
	36 3140 01	Bearing Cone Kit	1	
5	36 3140 02	Ball Steel Cage Bearing	2	
6	DP 1710 06	Silent Bush	2	
7	JB 1110 33	Cap Rear Pipe	2	N.I.
8	DH 1810 23	Bearing Cone	1	

Swing Arm / Rear Shock Absorber



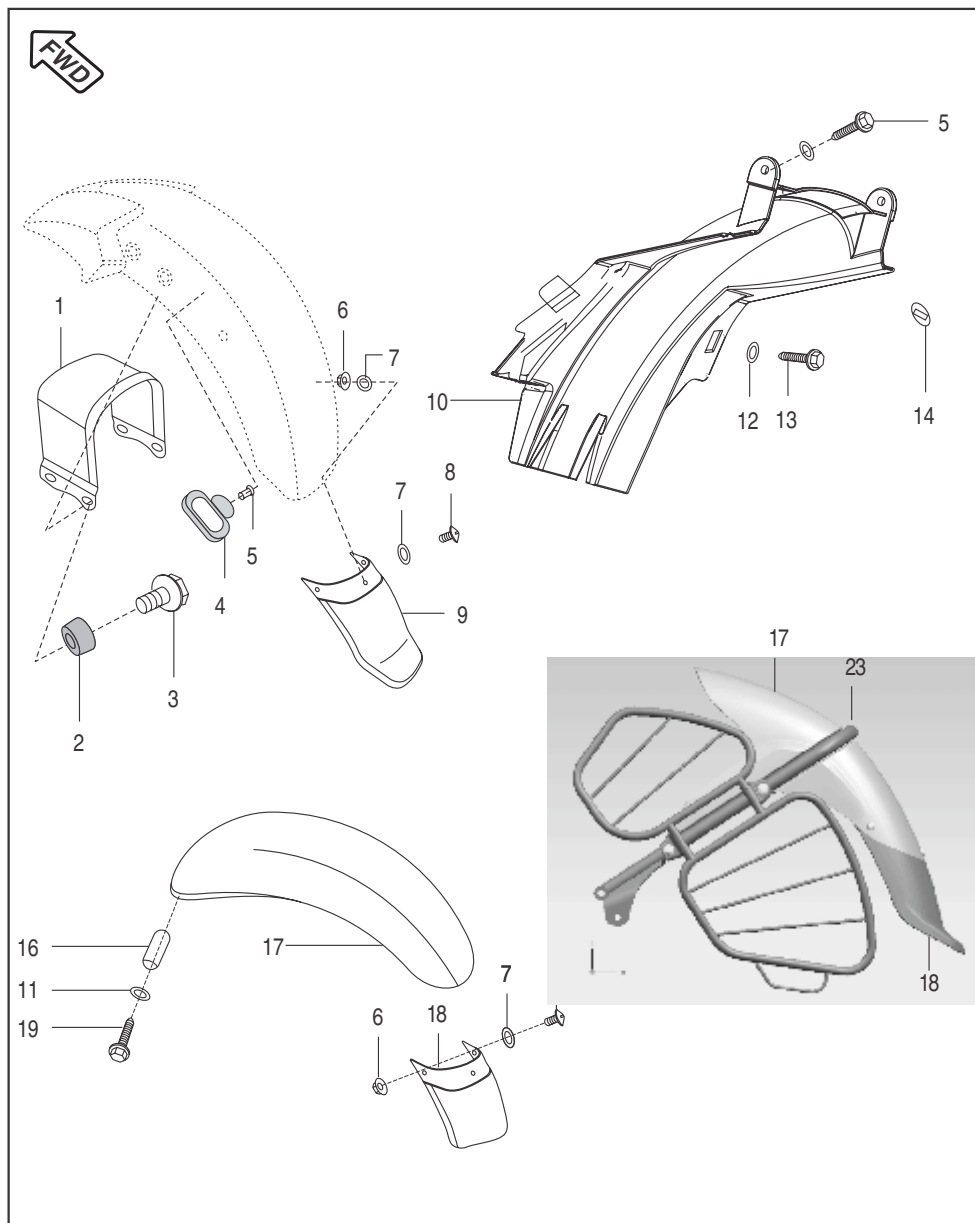
No.	Part No.	Description	Qty.	Remarks
1	JB 1220 16	Hex. Bolt/ Flange - M10	2	For RSA
2A	JB 1220 11	Plain washer	4	For RSA
2B	JB 1220 10	Plain Washer	4	
3	JD 1220 03	Rear Shock Absorber	2	
4	JD 1220 01	Swing Arm Assly.	1	Without Bush
	JD 1220 08	Swing Arm Assly.	1	From 18.06.2010
5	JB 1220 09	Domed Cap Nut	2	
6	39 2726 12	Spring Washer	2	
7	JB 1220 03	Chain Slider	1	
7A	JD 1220 13	Chain Slider	1	From 18.06.2010
8	39 0553 02	Screw	2	For Chain Sider
9	39 0454 11	Plain Washer	2	For Chain Sider
10	JD 1220 02	Shaft Swing Arm	1	
11	JB 1310 19	U Nut M-12	1	
12	DJ 1510 36	Adjuster Chain LH	1	
13	DJ 1510 37	Adjuster Chain RH	1	
14	39 0292 15	Hexagon Nut	4	
15	DJ 1510 47	Plate Chain Adjuster	2	
16	DP 1710 06	Silent Bush	2	
17	36 JD00 07	Kit Adj RSA	2	

Pillion Foot Rest / Holder



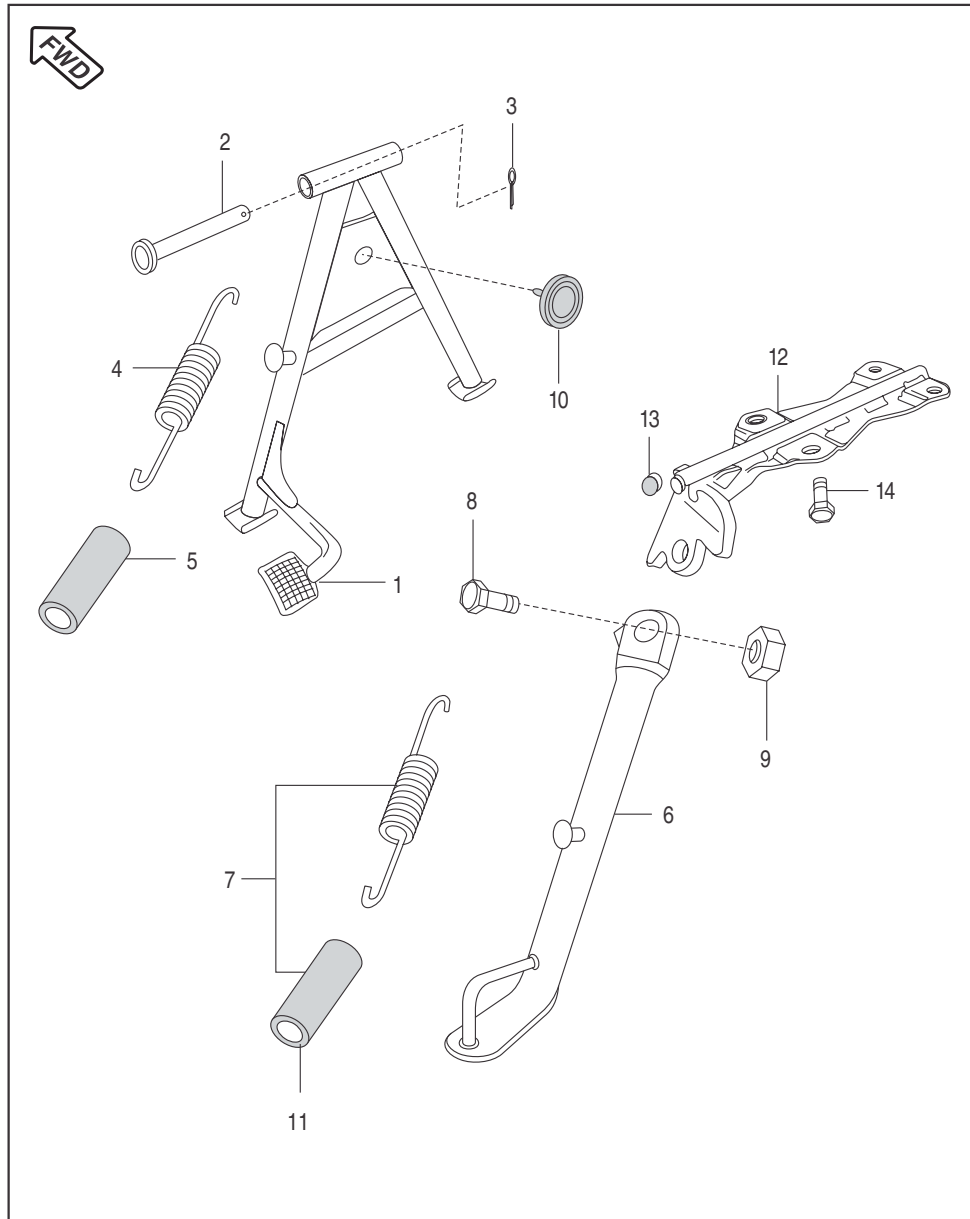
No.	Part No.	Description	Qty.	Remarks	
1	JD 1130 02	Holder LH Step	1	} Up-to 16.01.2010	
2	JD 1130 03	Holder RH Step	1		
3	JD 1130 13	Pillion Footrest LH	1		
4	JD 1130 15	Pillion Footrest RH	1		
5	JD 1130 16	Rider Footrest LH	1		
6	JD 1130 17	Rider Footrest RH	1		
7	JD 1130 19	Pin Footrest	4		
8	JD 1130 24	Lock Plate Footrest	4		N.I.
9	JD 1130 14	Ball & Spring Assembly Footrest	4		N.I.
10	JD 1130 25	Damper Foot Rest	4		N.I.
1	JD 1130 26	Holder LH Step	1	From Dec 2011	
	JD 1130 35	Holder LH Step (Black)	1		
2	JD 1130 27	Holder RH Step	1	From Dec 2011	
	JD 1130 36	Holder RH Step (Black)	1		
3	DJ 1611 28	Pillion Footrest LH	1		
4	DJ 1611 29	Pillion Footrest RH	1		
5	JD 1130 31	Rider Footrest LH	1		
6	JD 1130 32	Rider Footrest RH	1		
7	DH 1611 57	Pin Footrest	4		
11	DH 1610 53	Rubber - Main Step	2		
12	DJ 1611 22	Rubber - Pillion Step	2		
13	36 Dk00 13	Hardware Kit - Pillion Step	2		
14	22 1504 51	Screw	2		
15	39 1282 15	Nut-Domed Cap	2		
16	DH 1610 56	Plate Lower Main Step	2		
17	39 1714 04	Bolt Step Mtg Lower	2		
	LA D000 49	Bolt Step Mtg Lower	2	From 19.02.2010	

Mudguard - Front & Rear



No.	Part No.	Description	Qty.	Remarks
1	JD 1814 01	Brace Fender	1	
2	DJ 1610 91	Grommet Front Fender	4	
3	DG 1810 08	Socket Bolt	4	Fender Front Mounting
4	DS 1611 25	Cable Guide	1	
5	DJ 1610 69	Nail for Cable Guide	1	
6	39 0326 15	Nyloc Nut	6	For Flap Front Fender & Hugger
7	39 0242 11	Washer	6	For Front Rear Fender
8	39 2420 01	Screw	6	Mounting
9	JD 1814 02	Flap Front fender	1	
10	JD 1810 03	Fender Rear Front	1	
11	39 0211 11	Washer Plain	7	Fender Mtg. & Hugger
12	39 1943 04	Flange Bolt	4	Fender Mounting
13	39 1912 04	Bolt M-6	1	
14	DL 1610 15	Grommet	2	For Seat Cowl
15	JD 1318 09	Hose Clamp	1	N.I.
16	JD 1814 05	Sleeve Hugger Mounting	2	
17	JD 1814 04	Hugger	1	
	JD 1814 08	Hugger	1	From 18.06.2010
18	JD 1814 06	Mud Flap Fender Rear	1	
	JD 1814 09	Mud Flap Fender Rear	1	From 18.06.2010
19	39 2060 04	Bolt M-6 Hugger Mounting	2	
20	JD 1810 00	Flap LH	1	N.I.
21	JD 1810 01	Flap RH	1	N.I.
22	JD 1810 02	Foam Strip	1	N.I.
23	JD 1810 06	Tube Hugger Mounting	1	N.I. From 18.06.2010

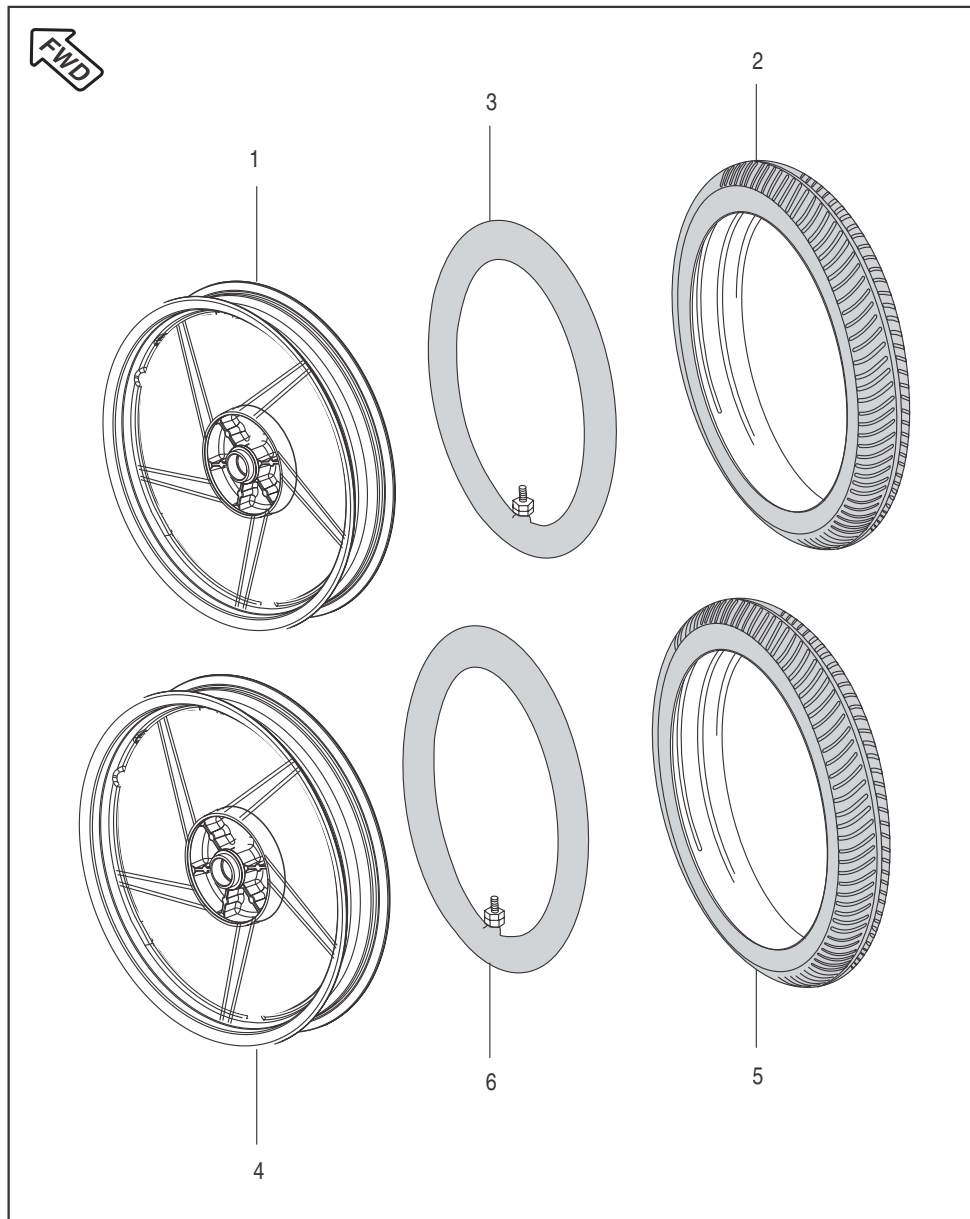
Stand Assembly



No.	Part No.	Description	Qty.	Remarks
1	JW 1132 00	Center Stand	1	
2	JA 1132 01	Shaft Stand	1	
3	39 0797 08	Pin Cotter	1	
4	DH 1612 39	Spring Main Stand	1	
5	DH 1611 45	Cover Spring Main Stand	1	
6	JD 1132 00	Stand Side	1	
7	DH 1612 40	Spring Side Stand with Cover	1	
8	DF 1611 02	Bolt	1	
9	39 0422 15	Nut	1	
10	DG 1611 24	Damper Main Stand	1	
11	DH 1611 46	Cover Side Stand Spring	1	
12	JD 1132 01	Side Stand Mounting Bracket	1	
13	DH 1613 09	Plug Side Stand Mounting Bolt	2	
14	JA 1130 11	Flange Bolt M-8	4	

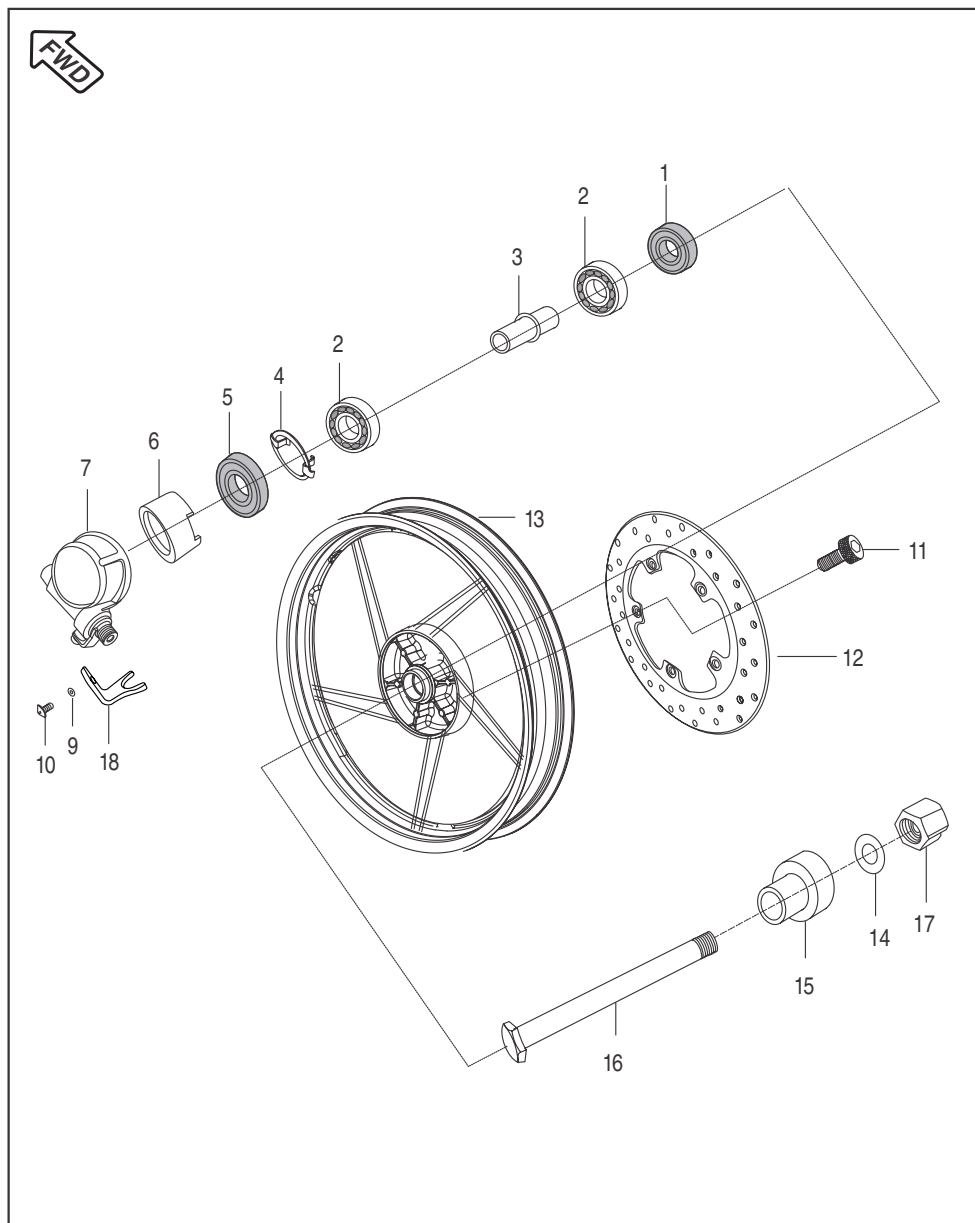


Tube / Tyre / Rim



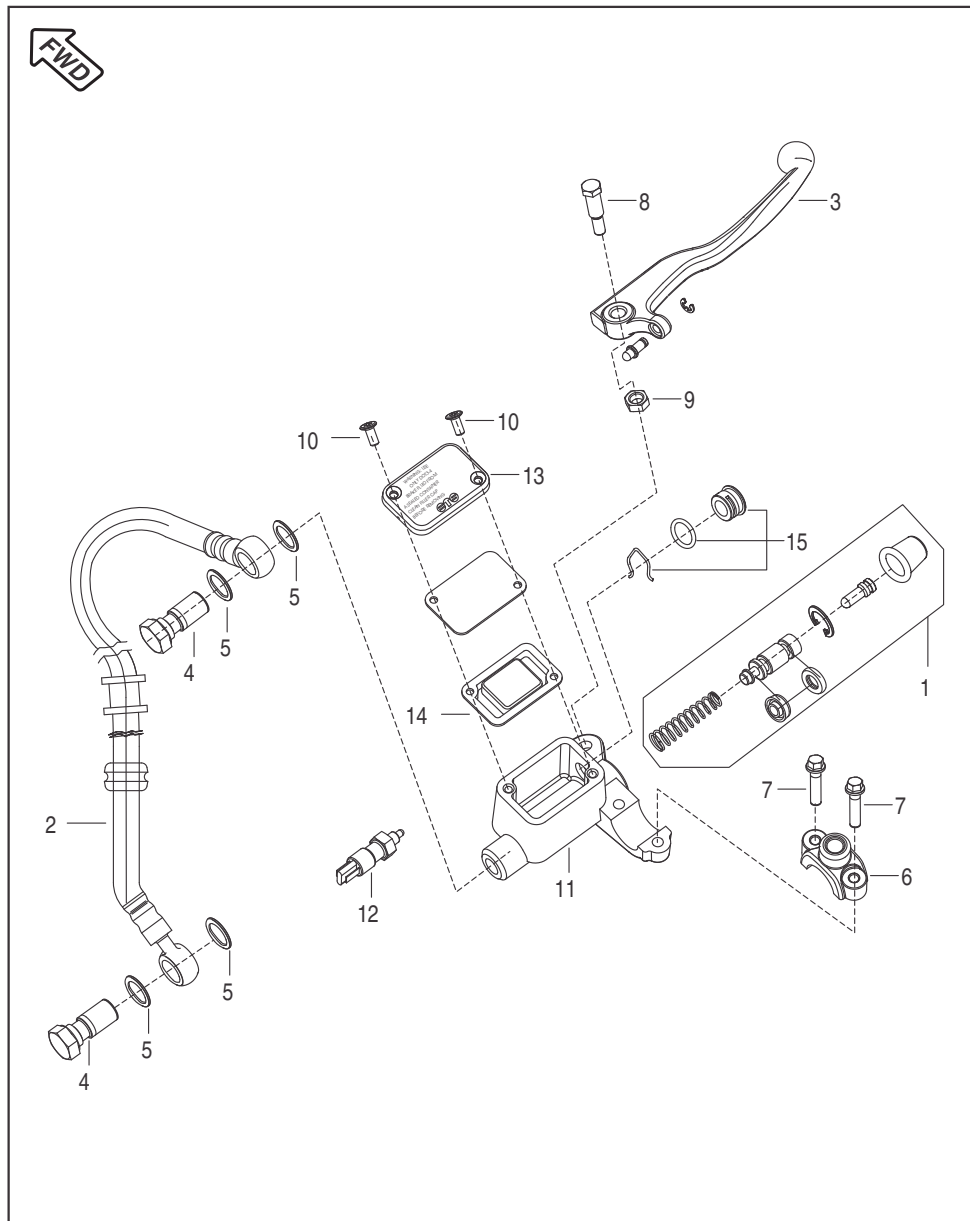
No.	Part No.	Description	Qty.	Remarks
1	JD 1310 02	Wheel Rim Front	1	
	JD 1310 00	Wheel Rim Front	1	
2	DS 1510 48	Tyre Front	1	} Proprietary Items } Not Serviceable
3	DS 1510 49	Tube Front	1	
4	JW 1312 10	Wheel Rim Rear	1	} Proprietary Items } Not Serviceable
5	DS 1510 31	Tyre Rear	1	
6	DS 1510 29	Tube Rear	1	

Front Hub



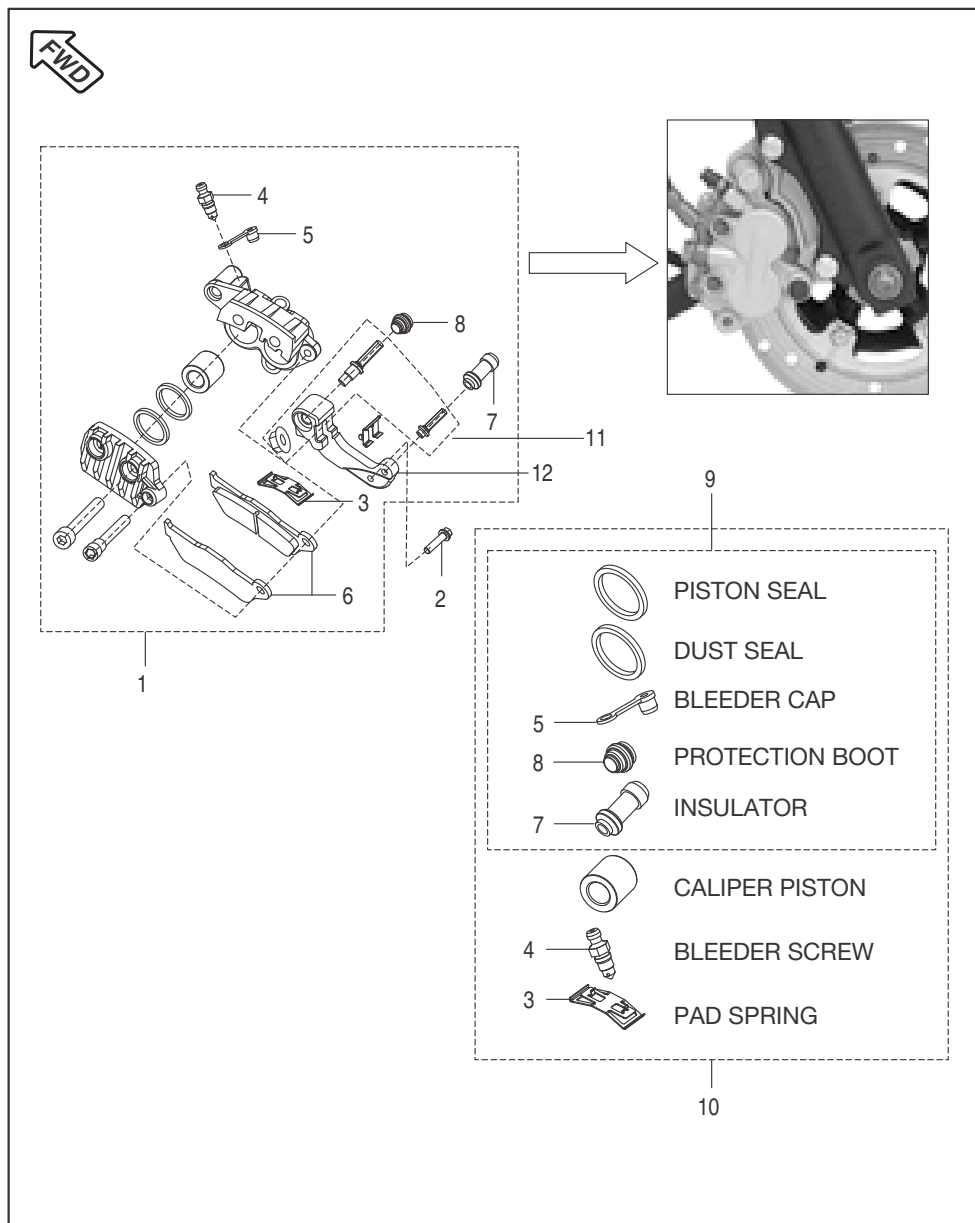
No.	Part No.	Description	Qty.	Remarks
1	30 1510 33	Seal Oil	1	
2	39 2688 20	Bearing Ball	2	
	KP BB63 01	Bearing Ball	2	Alternate
3	DE 1510 06	Spacer Assly.	1	
4	DE 1510 12	Plate Drive	1	
5	DE 1510 08	Seal Oil	1	
6	DJ 1510 94	Rotor Speedo (Disc)	1	
7	JN 1316 03	Case Meter Assly	1	
	DH 2010 81	Case Meter Assly	1	F-36 dated 07.06.2013
8	59 2100 19	'O' Ring	1	For Speed Sensor
9	39 0900 12	Washer Spring	1	
10	39 0840 01	Screw - M4	1	For Bushing Speedo Gear
11	JD 1318 11	Hex. Soc. Head Bolt	5	
12	JD 1318 10	Disc (240 mm Dia)	1	
13	JD 1310 02	Wheel Rim	1	
14	JB 1310 18	Plain Washer	1	
15	JN 1310 03	Spacer	1	
16	JB 1310 17	Axle	1	
17	JB 1310 19	'U' Nut	1	
18	30 1511 18	Stopper for Bushing	1	

Front Master Cylinder



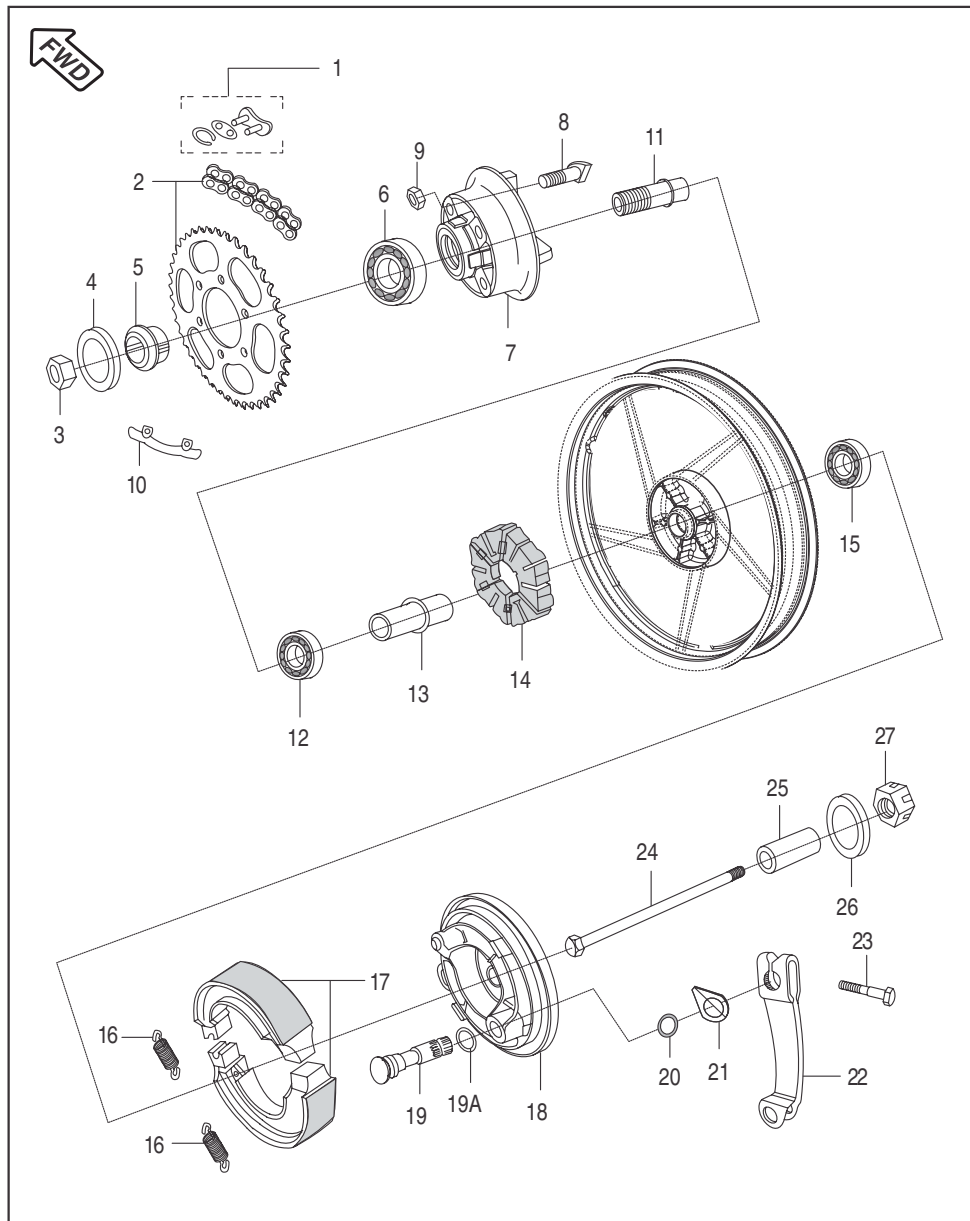
No.	Part No.	Description	Qty.	Remarks
1	DJ 1910 23	Major Kit - Master Cylinder	1	
2	JD 1318 08	Hose Brake Front	1	
3	DJ 1910 57	Lever Grip RH	1	
4	DE 1910 11	Banjo Bolt	2	
5	DE 1910 10	Washer Copper	4	
6	DE 1910 33	Clamp Holder RH	1	
7	39 2121 04	Bolt	2	
8	DJ 1910 29	Bolt Front Brake Lever	1	
9	DJ 1910 30	Nut Flanged	1	
10	DJ 1910 31	Screw	2	
11	DJ 1910 56	Cylinder Master with Lever	1	
12	DJ 2011 09	Front Brake Switch	1	
13	DE 1910 29	Reservoir Cover	1	
14	DE 1910 28	Diaphragm	1	
15	36 DH19 02	'O' Ring Master Cylinder Kit	1	
16	DJ 2011 08	Cable Assly For Switch	1	N.I.

Front Disc Brake



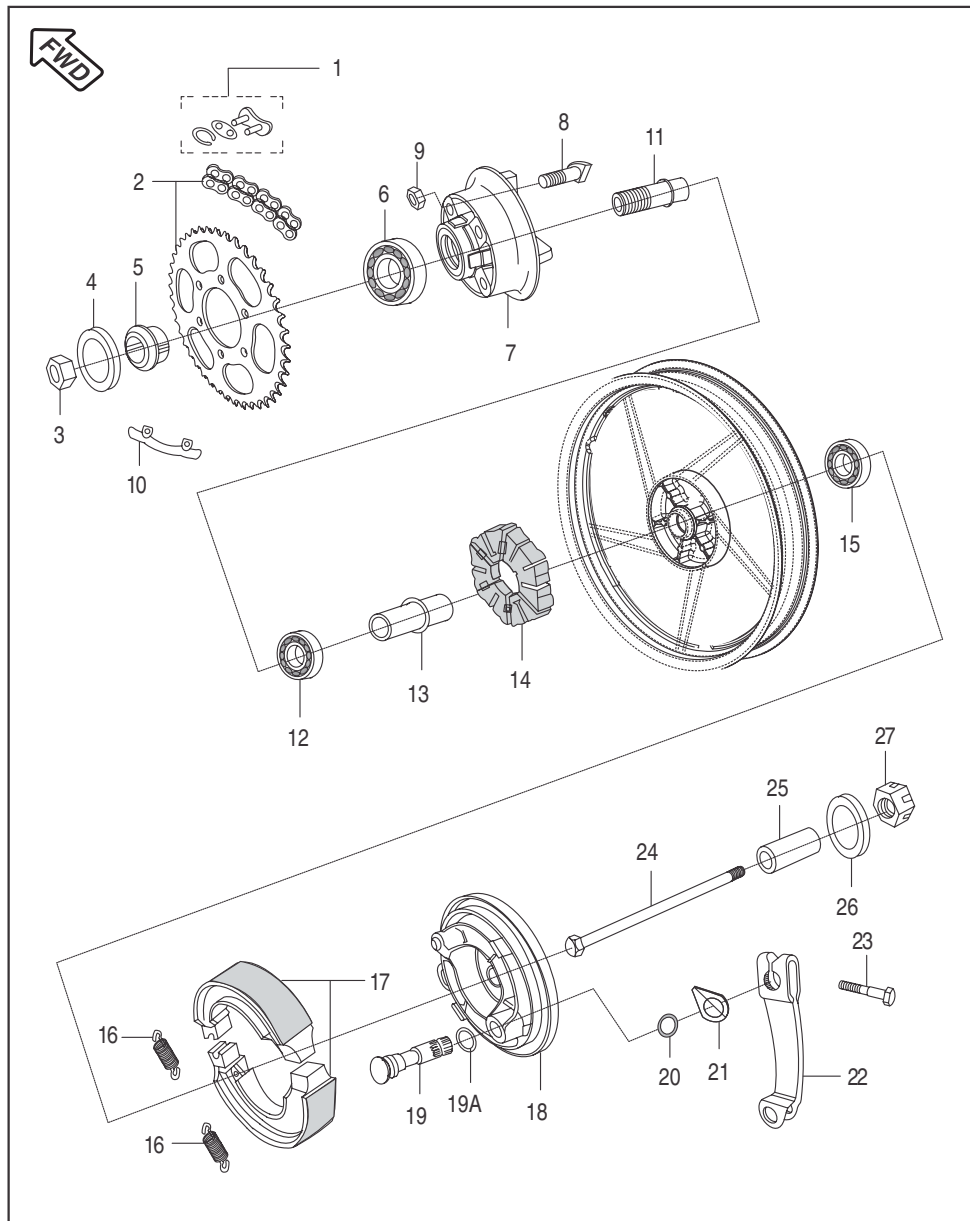
No.	Part No.	Description	Qty.	Remarks
1	JN 1318 06	Caliper Assly. Front	1	
	JD 1318 13	Caliper Assly. Front	1	
2	DP 1510 18	Bolt Flanged Caliper Mounting	2	
3	DE 1510 48	Spring Pad	1	
4	DE 1510 46	Bleeder Screw	1	
5	DE 1510 47	Bleeder Cap	1	
6	JW 1318 07	Disc Pad Set	1	
7	DJ 1510 72	Protection Boot (8 mm Dia)	1	
8	DJ 1510 73	Protection Boot (9 mm Dia)	1	
9	DJ 1510 74	Minor Kit - Caliper	1	
10	DJ 1510 75	Major Kit - Caliper	1	
11	JW 1318 10	Anchor Pin Kit	1	
12	DE 1510 33	Holder Bracket	1	
13	DE 1510 34	Piston for Caliper	1	Not Serviceable
14	DE 1510 35	Piston Seal - KBX	1	Not Serviceable
15	DE 1510 36	Scraper Ring - KBX	1	Not Serviceable

Rear Hub



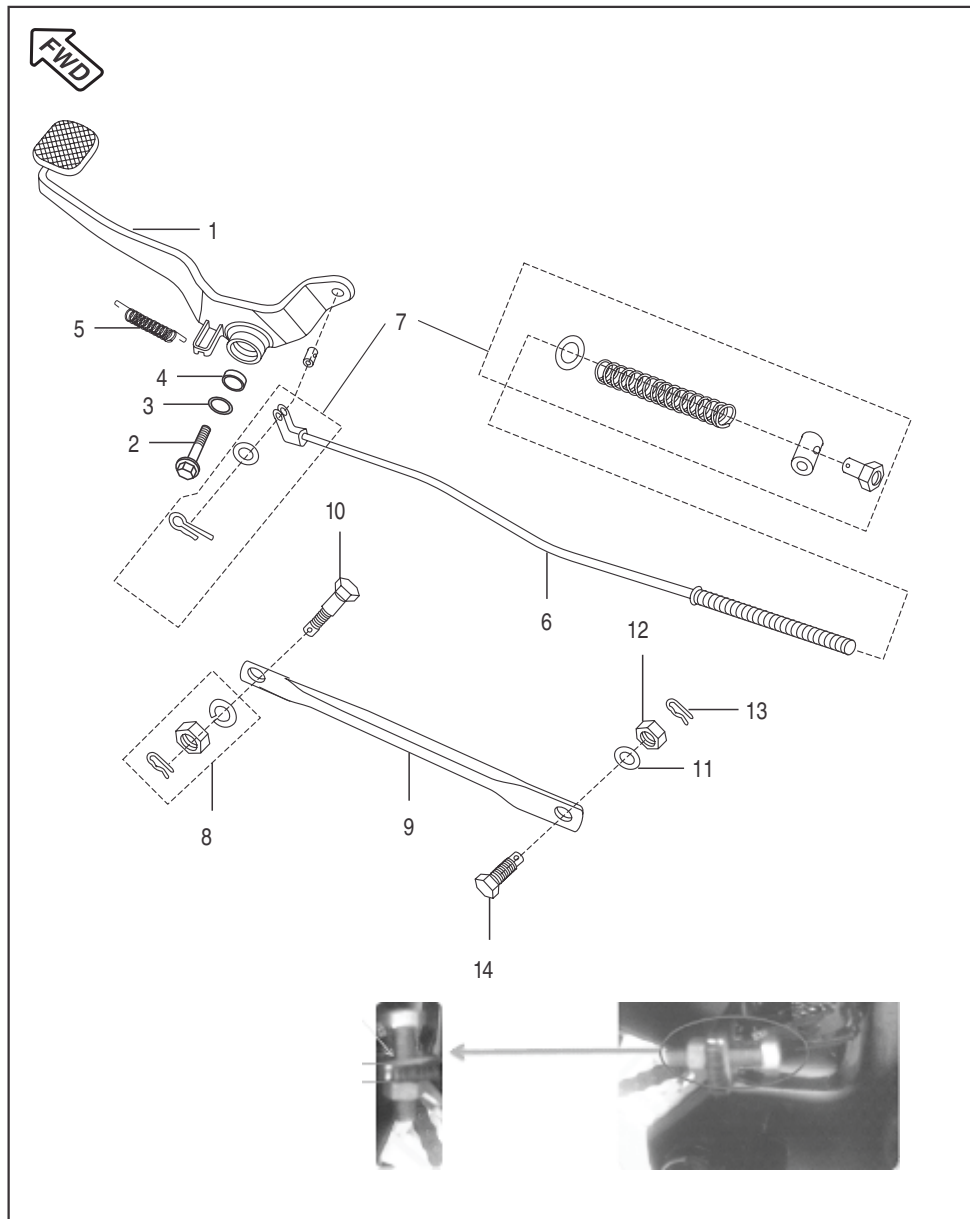
No.	Part No.	Description	Qty.	Remarks
1	DX 1510 81	Drive Chain Lock	1	
	JD 1410 03	Drive Chain Lock	1	From 18.06.2010
2	36 JE00 07	Chain Sprocket kit	1	Refer Page No.105
	36 JE00 14	Chain Sprocket kit	1	From 18.06.2010
3	39 0801 15	Nut	1	
4	LD B000 01	Plain washer	1	
5	DS 1510 61	Collar Assly.	1	JD131210 From 18.06.2010
6	39 2240 20	Bearing ball	1	
7	DS 1510 68	Coupling	1	
	JG 1312 19	Coupling	1	From 15.11.2011
8	DS 1510 73	Stud M-10	4	
9	39 0794 15	Hex. lock nut	4	
10	DS 1510 74	Washer	2	
11	DX 1510 22	Sleeve	1	
12	39 2686 20	Bearing Ball	1	
13	30 1510 75	Collar Bearing	1	
14	DJ 1510 88	Damper	1	
15	39 2687 20	Bearing Ball	1	
16	30 1510 69	Spring	2	
17	30 1511 05	Shoe Brake Assly	2	
18	DJ 1510 92	Panel Rear Brake	1	
19	30 1510 11	Cam Brake	1	
19A	39 0722 11	Plain Washer	1	
20	30 1510 38	Ring 'O'	1	

Rear Hub



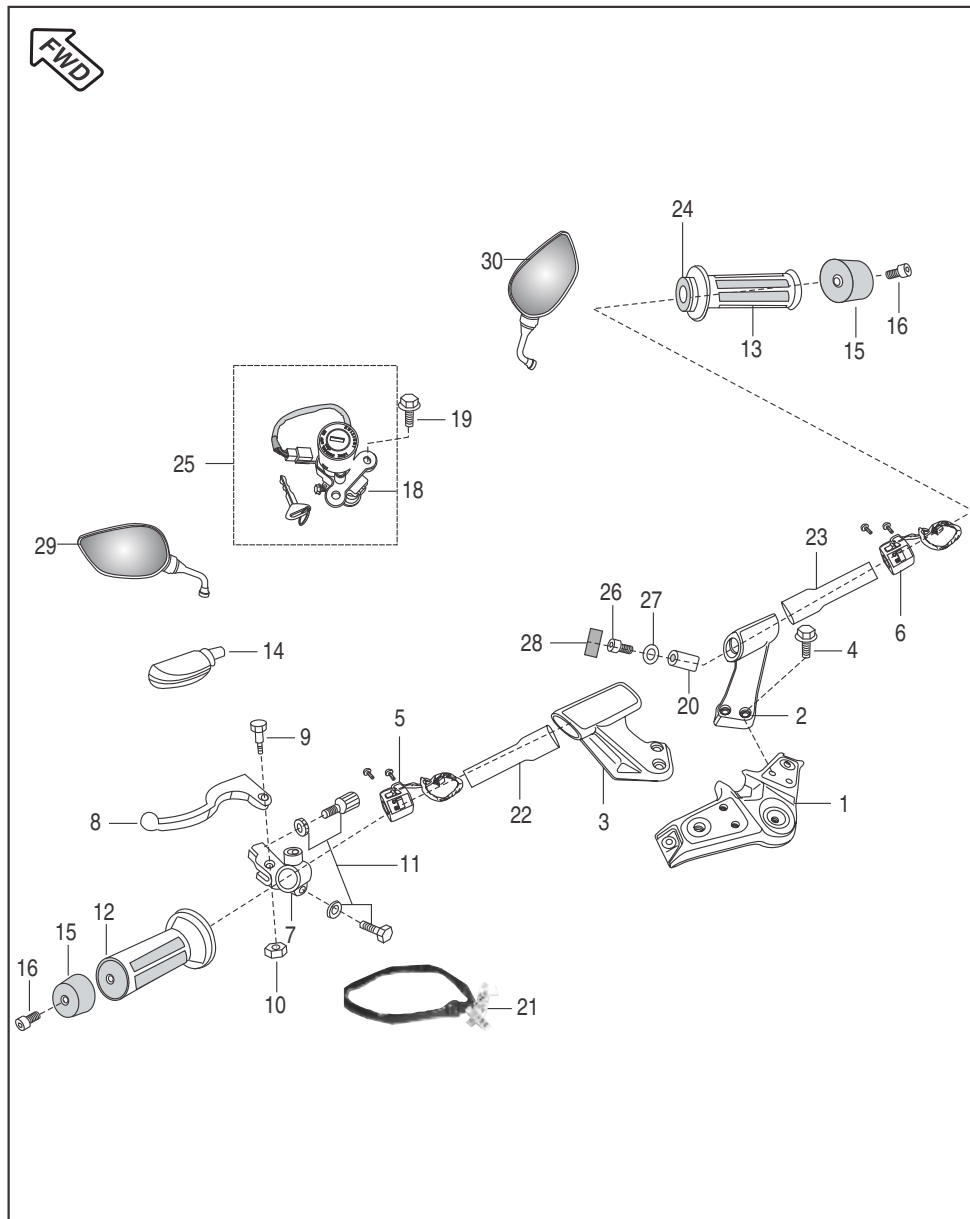
No.	Part No.	Description	Qty.	Remarks
21	30 1510 05	Indicator	1	
22	JD 1316 01	Lever Brake	1	
23	39 2447 04	Bolt	1	
24	JN 1312 11	Axle	1	
25	DJ 1510 33	Collar	1	
	JD 1312 12	Collar	1	From 18.06.2010
26	LD B000 02	Plain washer	1	
27	DJ 1710 33	'U' nut	1	

Rear Brake Pedal



No.	Part No.	Description	Qty.	Remarks
1	JD 1610 01	Brake Pedal	1	
2	JC 1910 09	Hex. Bolt	1	
3	JK 1610 00	Washer	1	
4	39 1998 19	Oil Seal	2	
5	JD 1610 02	Brake Pedal Spring	1	
6	JD 1610 03	Rod Brake	1	
7	36 DK00 17	Brake Adjuster Kit	1	
8	36 DK00 18	Torque Rod Hardware Kit	1	
9	JD 1220 04	Rod Torque	1	
10	DH 1510 29	Step Bolt	1	
11	39 0789 12	Spring Washer	1	
12	39 0694 15	Nut Hex. Lock	1	
13	39 0807 08	Pin Snap	1	
14	30 1510 96	Hex. Bolt	1	
15	39 1919 01	Bolt Brake Pedal Adj	1	
	LA A000 04	Bolt Brake Pedal Adj	1	From 10.01.2010

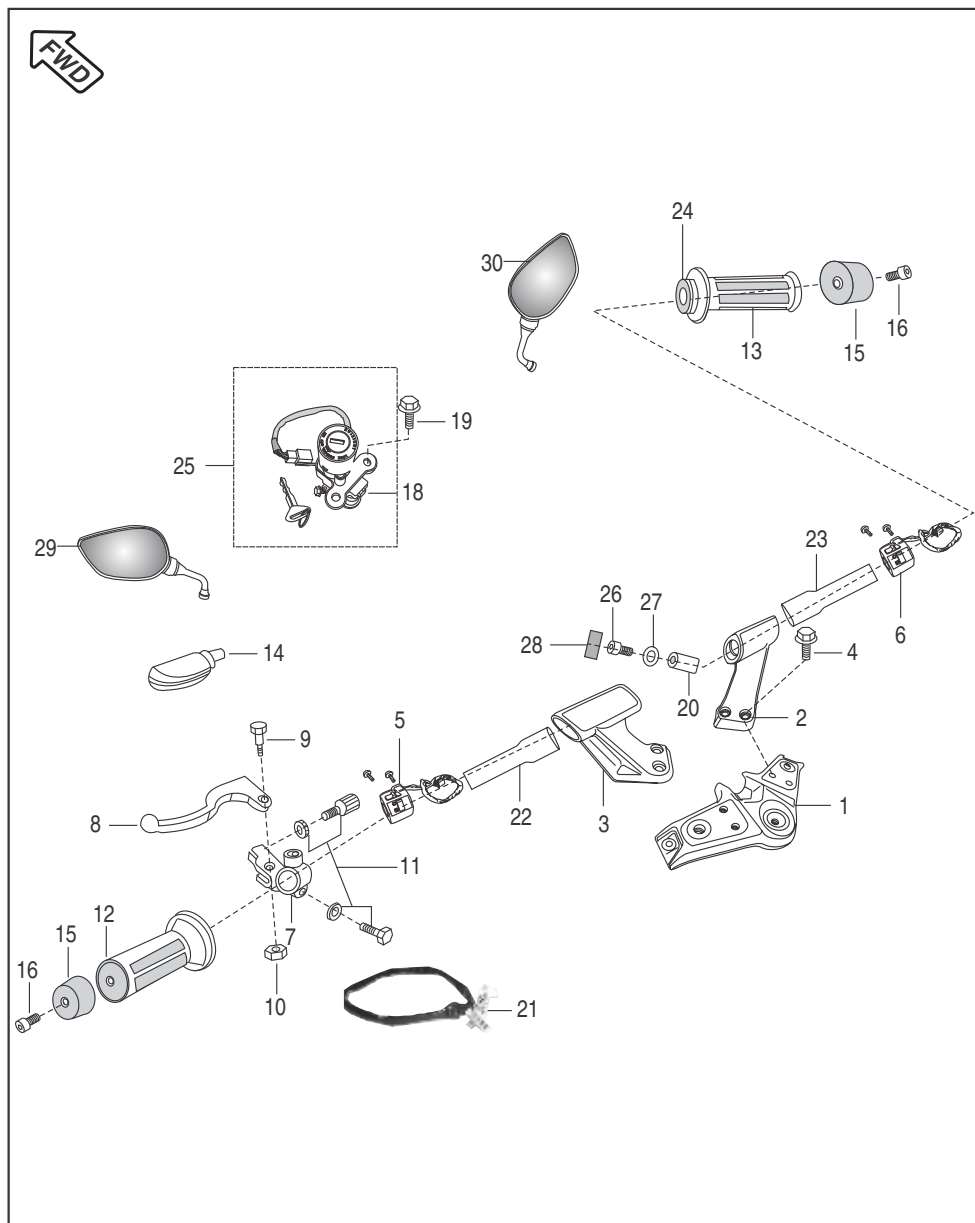
Handle Bar Assly



No.	Part No.	Description	Qty.	Remarks
1	JD 1510 15	Upper Bracket	1	
	JD 1510 54	Upper Bracket (Black)	1	From Dec 2011
2	JD 1510 17	Holder Handle RH	1	
	JD 1510 52	Holder Handle RH (Black)	1	From Dec 2011
3	JD 1510 16	Holder Handle LH	1	
	JD 1510 51	Holder Handle LH (Black)	1	From Dec 2011
4	DG 1810 08	Socket Bolt	4	
5	JF 4014 00	Control Switch LH	1	
6	JF 4014 01	Control Switch RH	1	
7	DJ 1910 54	Holder LH	1	
8	DJ 1910 55	Lever LH	1	
	DJ 1910 83	Lever LH	1	From 26.11.2011
8A	DJ 1910 82	Lever & Holder Assly	1	From 26.11.2011
9	DL 1910 14	Stud Lever Handle	1	
10	30 1910 17	Self Locking Nut	1	
11	DD 1911 47	Adjusting Screw	1	
12	DH 1910 07	Grip LH	1	
13	DH 1910 08	Grip assly. RH	1	
14	DS 1910 52	Boot for lever LH	1	
15	DH 1810 22	Handle bar weight	2	
16	39 2427 04	Hex. Soc. Hd. Cap Screw	2	
17	DS 1910 52	Lever Boot for Clutch Switch	1	N.I.

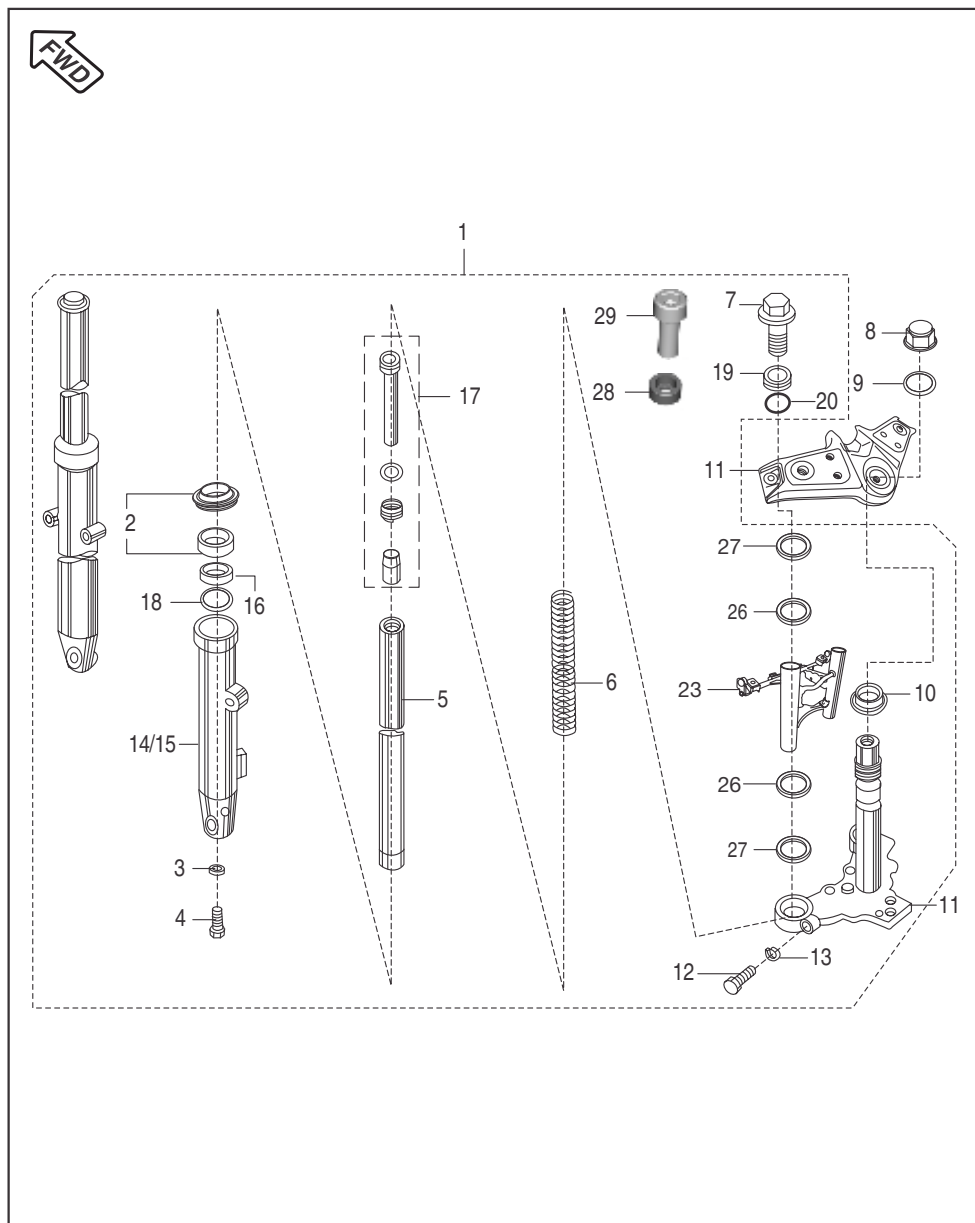


Handle Bar Assly



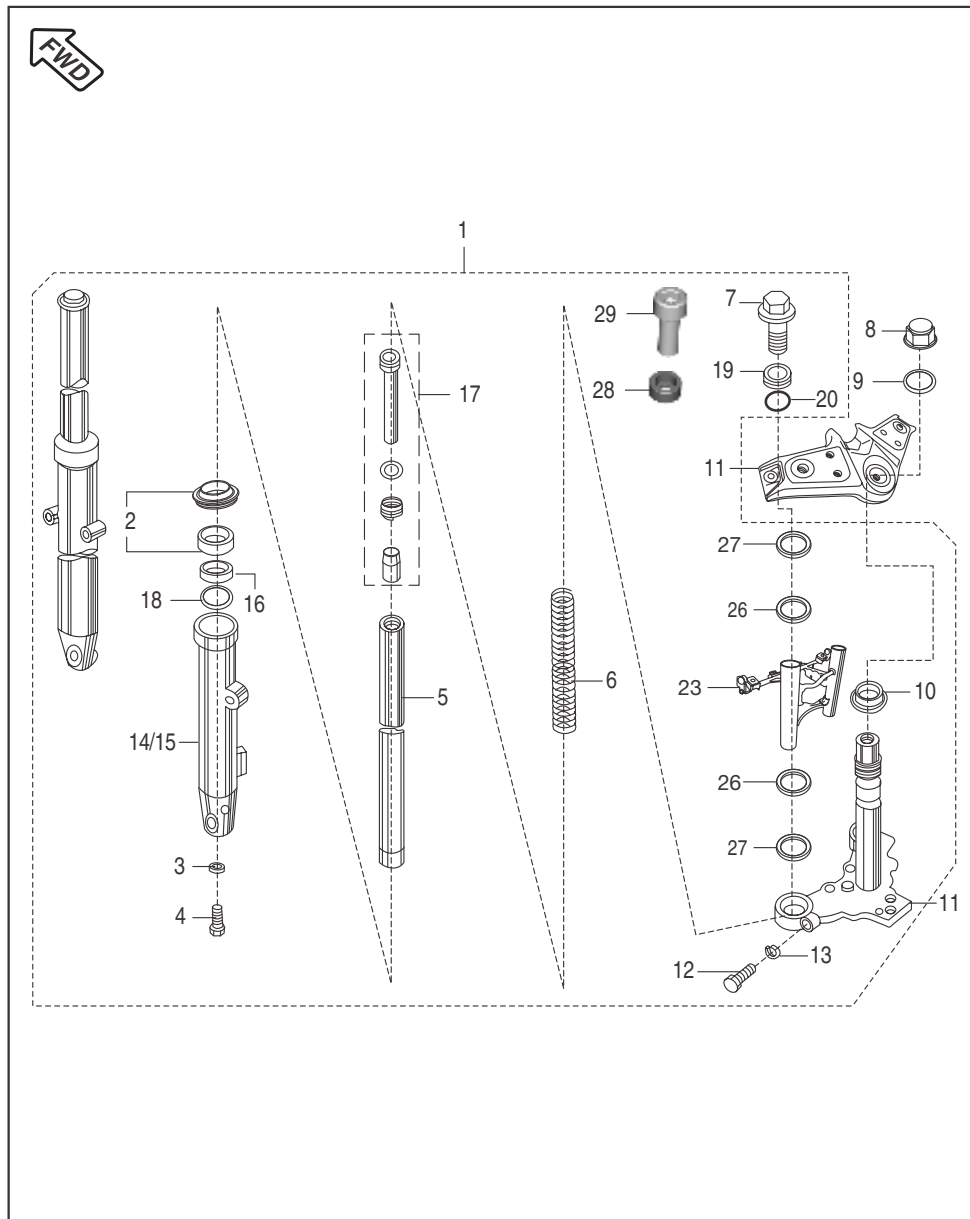
No.	Part No.	Description	Qty.	Remarks
18	JB 4014 02	Switch Assly. Ignition	1	
19	38 1943 04	Flange Bolt	2	
20	DK 1810 31	Bush Silent Handle Bar Tube	2	
21	DJ 2011 95	Clutch Switch	1	
	DJ 2012 46	Clutch Switch (Vertical Base)	1	From 26.11.2012
22	JD 1510 34	Handle bar tube assly. LH	1	
23	JD 1510 35	Handle bar tube assly. RH	1	
24	DH 1910 17	Pipe throttle	1	N.I.
25	JW 2326 01	Lock set 4 in 1	1	
26	DK 1810 58	Bolt	2	
27	39 1180 11	Washer	2	
28	JD 1510 32	Rubber Plug	2	
29	JD 2316 00	Mirror Assly. LH	1	
30	JD 2316 01	Mirror Assly. RH	1	

Front Fork



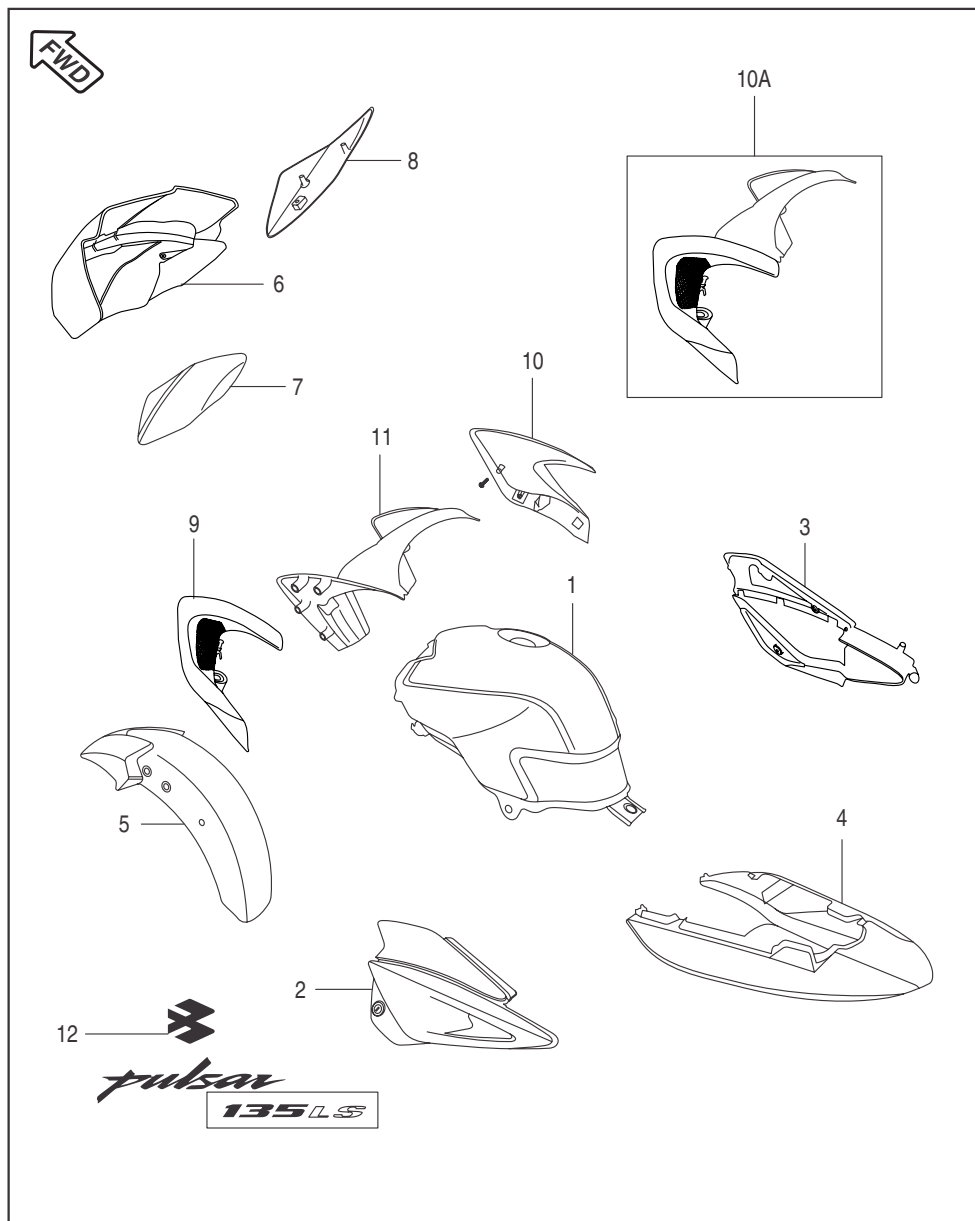
No.	Part No.	Description	Qty.	Remarks
1	JD 1510 00	Fork Front	1	
2	36 DZ00 20	Front Fork Seal Kit	1	
3	30 1810 26	Gasket	2	
4	30 1810 25	Bolt	2	
5	JD 1510 26	Fork Inner Pipe	2	
6	DJ 1811 04	Spring Front Fork	2	
7	59 0400 07	Bolt upper bkt.	2	Hex Bolts With Washer
8	DS 1810 15	Cap Nut Fork	1	
9	DS 1810 16	Plain Washer	1	For Cap Nut
10	36 DS18 02	Bearing Cone Kit	1	
11	JD 1510 29	Under Bracket Fork	1	
	JD 1510 54	Upper Bracket (Black)	1	From Dec 2011
12	39 1181 01	Bolt	2	
13	DM 1810 10	Washer	2	
14	JD 1510 03	Outer Tube LH	1	with Guide Bush
15	JD 1510 04	Outer Tube RH	1	
16	JK 1210 07	Anti Friction Bush	2	
17	JD 1510 39	Cylinder Complete Fork	2	
	JD 1210 02	Cylinder Complete Fork	2	From 13.02.2010
18	JK 1210 09	Washer Anti Friction Bush	2	
19	JD 1510 28	Bolt Fork	2	
20	30 1810 29	'O' Ring	2	

Front Fork



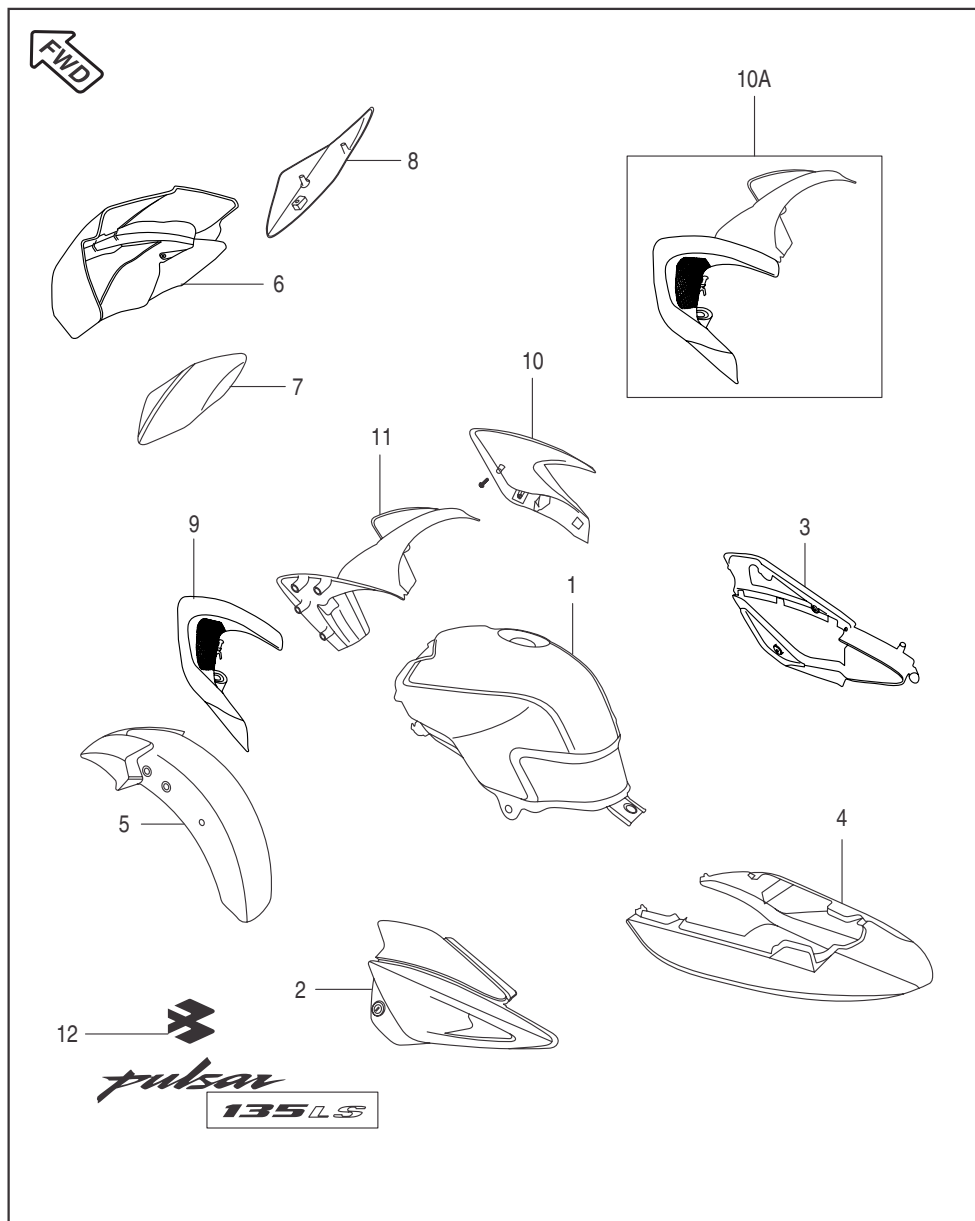
No.	Part No.	Description	Qty.	Remarks
21	JB 1510 22	Speed Sensor Cable Bracket	1	N.I.
22	39 1943 04	Bolt Flanged	1	N.I. for Speedo Sensor Cable Bracket Mounting
23	JD 1510 06	Lamp Shade Assembly	1	
24	DJ 1810 64	Grommet Head Lamp Mounting	1	N.I. Mtg. Lamp Shade
25	DJ 1810 29	Collar Head Lamp Mounting	4	N.I. Mtg. Lamp Shade
26	DJ 1810 52	Cover Trail 'B'	4	
27	DJ 1810 85	Cushion Rubber	4	
28	JD 1510 36	Cup Washer	2	Added
29	LA C000 09	Bolt Socket M10	2	Added

Painted Parts and Decals



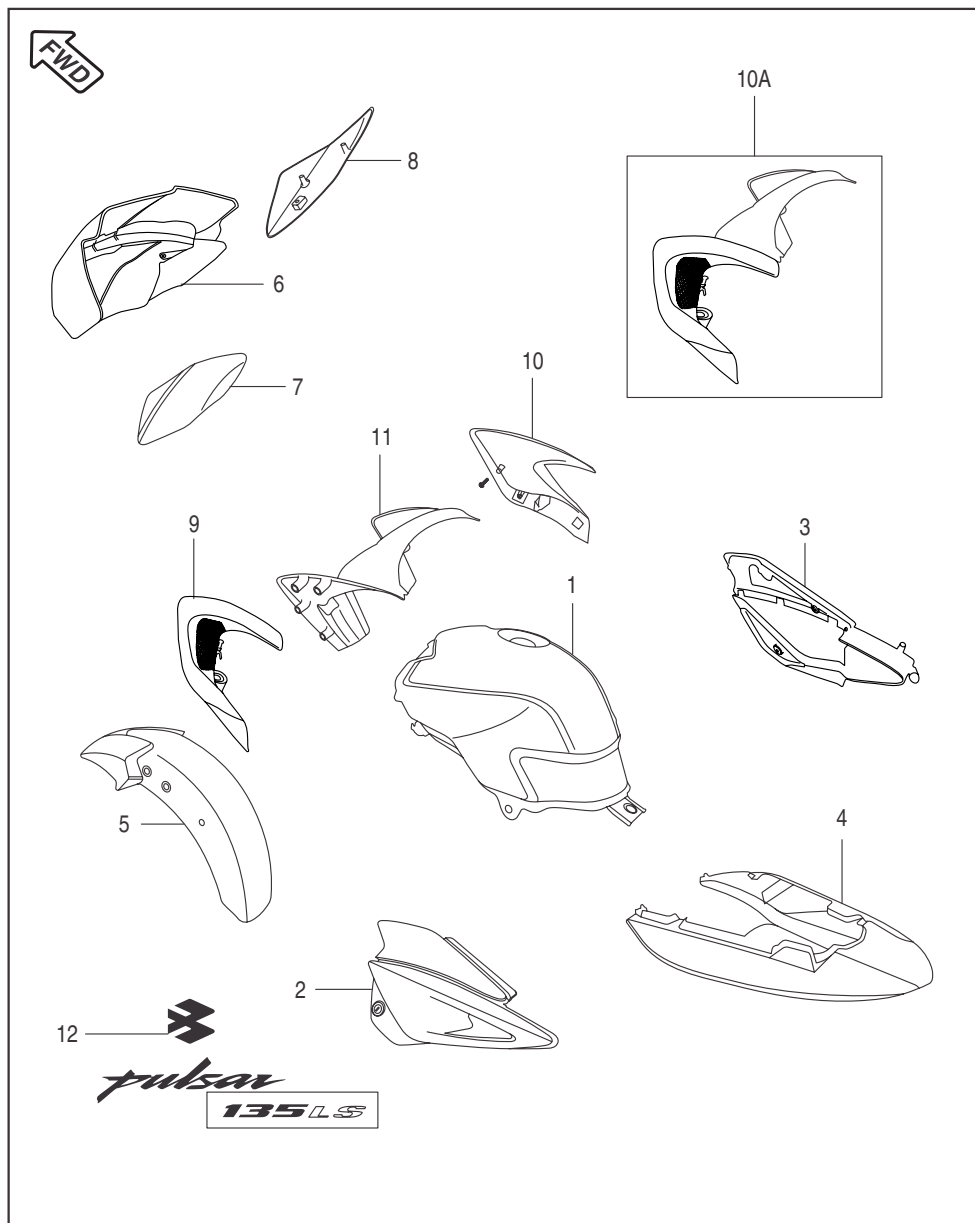
No.	Part No.	Description	Qty.	Remarks
1	JD 7101 4R	Fuel Tank with Decal	1	Passion Red
	JD 7101 4M	Fuel Tank with Decal	1	Mid Black
	JD 7103 4R	Fuel Tank with Decal-Passion Red	1	From 18.06.2010
	JD 7103 4M	Fuel Tank with Decal-Mid Black	1	From 18.06.2010
	JD 7103 5G	Fuel Tank with PI Blue	1	From Dec 2011
	JD 7103 5L	Fuel Tank with Red	1	From Dec 2011
52 JD04	19	Fuel Tank Flame Red WH Red Decal	1	
	20	Fuel Tank Electron Blue WH Blue DCL	1	
2	52 JD00 61	Side Cover LH Assembly	1	Silver Painted
	52 JD02 07	Side Cover LH - PI Blue	1	From Dec 2011
	52 JD02 16	Side Cover LH - Black	1	From Dec 2011
	52 JD01 95	Side Cover LH - Red	1	From Dec 2011
	52 JD03 79	Side Cover LH Assembly FL Red	1	
	52 JD03 80	Side Cover LH Assembly EL BL P135	1	
	52 JD03 78	Side Cover LH Assembly EB BLK P135	1	
	52 JD00 62	Side Cover RH Assembly	1	Silver Painted
52 JD02	08	Side Cover RH - PI Blue	1	From Dec 2011
	15	Side Cover RH - Black	1	From Dec 2011
	96	Side Cover RH - Red	1	From Dec 2011
	76	Side Cover RH S/A FL. Red	1	
	77	Side Cover RH S/A Electron Blue	1	
	75	Side Cover RH S/A Eb. Blk. Pulsar 135	1	
	75	Side Cover RH S/A Eb. Blk. Pulsar 135	1	
4	JD 7601 4R	Seat Cowl Assembly	1	Passion Red
	JD 7601 4M	Seat Cowl Assembly	1	Mid Black
	JD 7601 5G	Seat Cowl Assembly	1	PI Blue-From Dec 2011
	52 JD03 90	Seat Cowl Assembly WH DKL FI Red	1	
	52 JD03 91	Seat Cowl Assembly WH DKL EI Blue	1	
	52 JD03 89	Seat Cowl Assembly WH DKL Eb Blk	1	
5	JD 7202 4R	Fender Front	1	Passion Red
	JD 7202 4M	Fender Front	1	Mid Black
	52 JD03 67	Fender Front S/A Flame Red	1	
	52 JD03 68	Fender Front S/A Electron Blue P135	1	
	52 JD03 66	Fender Front S/A Eb Blk P135	1	
6	52 JD00 67	Windshield with mask	1	Black With Blue Decals

Painted Parts and Decals



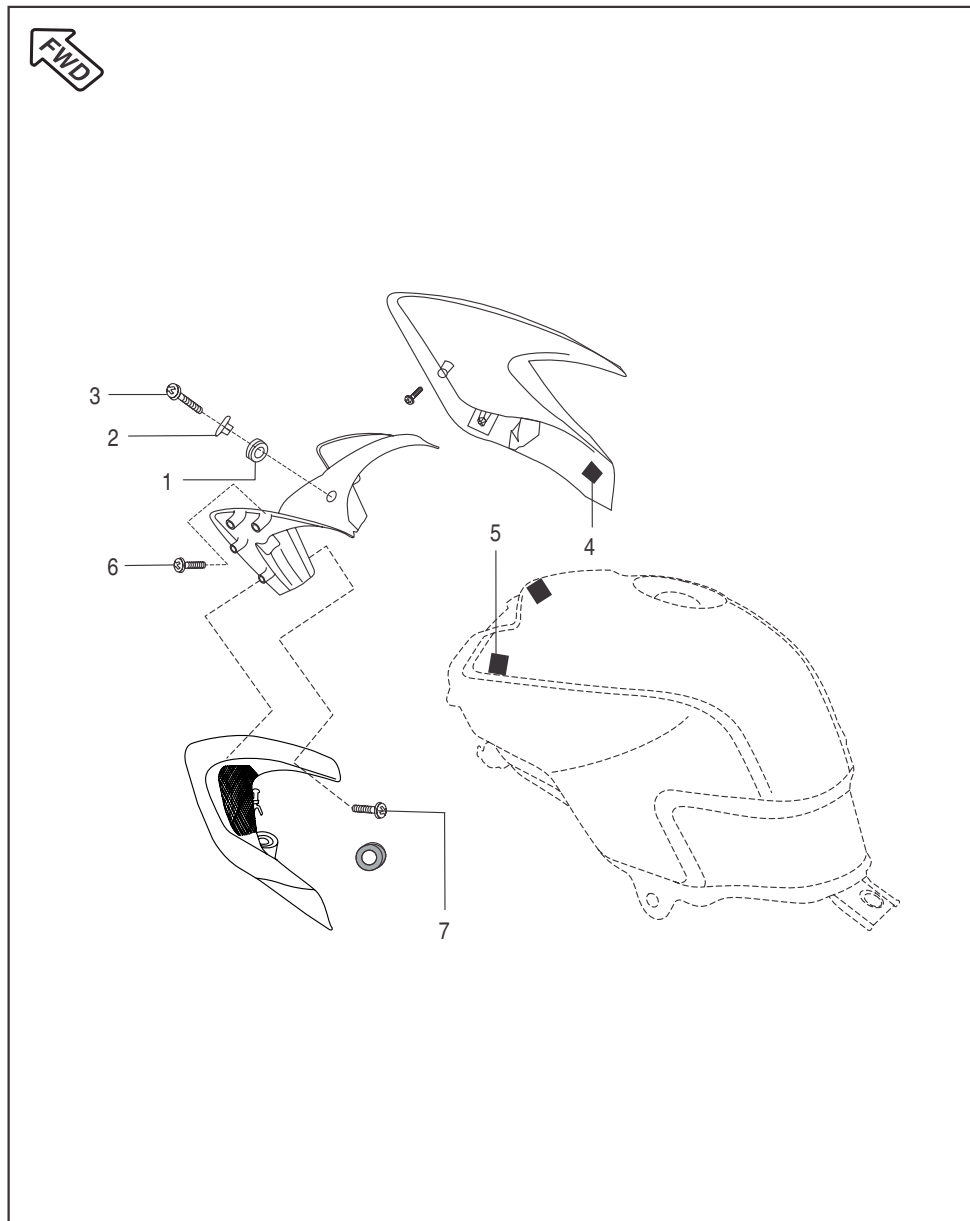
No.	Part No.	Description	Qty.	Remarks
7	JD 7301 4R	Cowling LH	1	Passion Red
	JD 7301 4M	Cowling LH	1	Mid Black
	JD 7301 5G	Cowling LH - PI Blue	1	From Dec 2011
	JD 7301 5L	Cowling LH - Red	1	Red -From Dec 2011
	52 JD04 77	Cowling LH Flame Red WH Decal	1	
	52 JD04 79	Cowling LH Electron Blue WH Decal	1	
8	56 JD2D X3	Painted Part Cowling LH Ebony Black	1	
	JD 7302 4R	Cowling RH	1	Passion Red
	JD 7302 4M	Cowling RH	1	Mid Black
	JD 7302 5G	Cowling RH - PI Blue	1	From Dec 2011
	JD 7302 5L	Cowling RH - Red	1	From Dec 2011
	52 JD04 78	Cowling RH Flame Red WH Decal	1	
9	52 JD04 80	Cowling RH Electron Blue WH Decal	1	
	56 JD2E X3	Painted Part Cowling RH Ebony Black	1	
	JD 7401 4R	Tank Spoiler LH	1	Passion Red
	JD 7401 4M	Tank Spoiler LH	1	Mid Black
	JD 7401 5G	Tank Spoiler LH - PI Blue	1	From Dec 2011
	JD 2330 07	4 Valve Decal RH	2	Red Decals
10	JD 2330 19	4 Valve Decal RH-Red Decals	2	From 18.06.2010
	JD 7402 4R	Tank Spoiler RH	1	Passion Red
	JD 7402 4M	Tank Spoiler RH	1	Mid Black
10A	JD 7402 5G	Tank Spoiler RH - PI Blue	1	From Dec 2011
	52 JD04 74	Spoiler Assembly Flame Red	1	
	52 JD04 76	Spoiler Assembly Electron Blue	1	
11	JD 7403 4R	Central Spoiler-Red	1	
	JD 7403 4M	Central Spoiler-Black	1	
	JD 7403 5G	Central Spoiler-PI Blue	1	From Dec 2011
12	JD 2330 01	Tank Decal Pulsar	2	Red Decals
	JD 2330 13	Tank Decal Pulsar-Red Decals	2	From 18.06.2010
	JD 2330 03	Seat Cowl Decal	2	Red Decals
	JD 2330 15	Seat Cowl Decal-Red Decals	2	From 18.06.2010
	JD 2330 05	4 Valve Decal LH	2	Red Decals
	JD 2330 18	4 Valve Decal LH-Red Decals	2	From 18.06.2010
	JD 2330 07	4 Valve Decal RH	2	Red Decals

Painted Parts and Decals



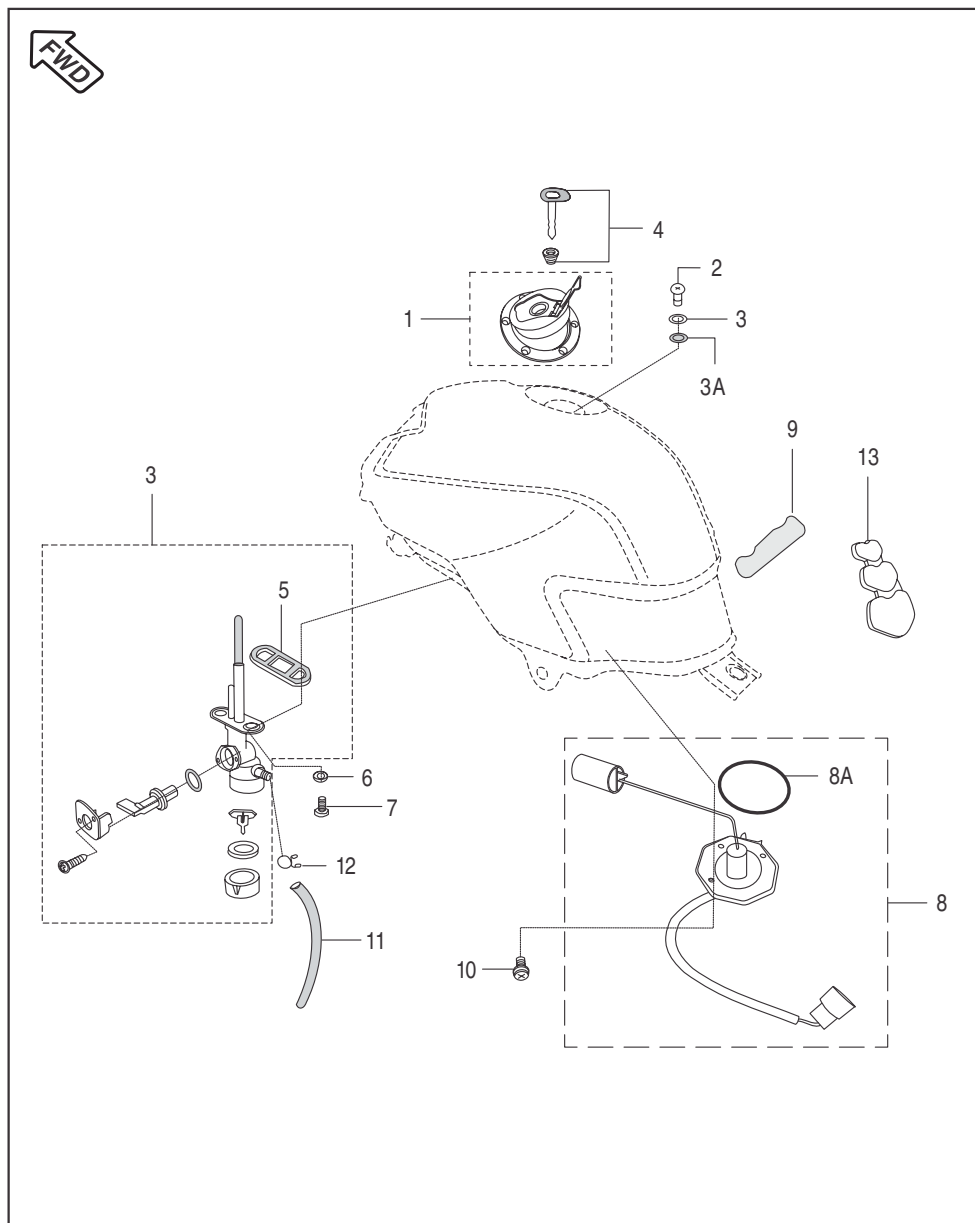
No.	Part No.	Description	Qty.	Remarks
13	JD 2330 00	Tank Decal Pulsar	2	Black Decals
	JD 2330 12	Tank Decal Pulsar-Black Decals	2	From 18.06.2010
	JD 2330 02	Seat Cowl Decal	2	Black Decals
	JD 2330 14	Seat Cowl Decal-Black Decals	2	From 18.06.2010
	JD 2330 04	4 Valve Decal LH	2	Black Decals
	JD 2330 16	4 Valve Decal LH-Black Decals	2	From 18.06.2010
	JD 2330 06	4 Valve Decal RH	2	Black Decals
14	JD 2330 17	4 Valve Decal RH-Black Decals	2	From 18.06.2010
	36 JD00 16	Kit Fairing Decal-PI Blue	1	
	36 JD00 35	Kit New Fairing Decal EI Blue	1	
	36 JD00 17	Kit Spoiler Decal-PI Blue	1	
	36 JD00 36	Kit New Spoiler Decal EI Blue	1	
	36 JD00 18	Kit Seat Cowl Decal-PI Blue	1	
	36 JD00 38	Kit New Seat Cowl EI Blue	1	
15	36 JD00 19	Kit Side Cover Decal-PI Blue	1	
	36 JD00 37	Kit Side Cover Decal EI Blue	1	
	36 JD00 20	Kit Tank Decal-PI Blue	1	
	36 JD00 34	Kit New Tank Decal EI Blue	1	
	36 JD00 11	Kit Fairing Decal-Red	1	
	36 JD00 30	Kit New Fairing Decal FI Red	1	
	36 JD00 12	Kit Spoiler Decal-Red	1	
	36 JD00 31	Kit New Spoiler Decal FI Red	1	
	36 JD00 14	Kit Seat Cowl Decal-Red	1	
	36 JD00 33	Kit New Seat Cowl FI Red	1	
	36 JD00 13	Kit Side Cover Decal-Red	1	
	36 JD00 32	Kit Side Cover Decal FI Red	1	
36 JD00 25	Kit Tank Decal-Red	1		
36 JD00 29	Kit New Tank Decal FI Red	1		

**Petrol Tank Spoiler**



No.	Part No.	Description	Qty.	Remarks
1	JW 1710 14	Grommet Central Spoiler	3	
2	JW 1710 15	Collar Spoiler	3	
3	JD 1710 16	Round Head Screw	1	
4	JW 1710 07	Dual lock Tape 15x20	4	
5	JD 1710 18	Dual Lock Tape 10x20	8	
	JD 1710 47	Dual Lock Tape 10x20	8	From 18.01.2011
6	JW 1710 16	Screw	2	For Fitting Central Spoiler
7	59 0200 01	Screw	8	For Flap LH/RH Fitment on Central Spoiler
8	JC 1410 17	Grommet Tank Cover	2	N.I.
9	JW 1710 06	Clip Nut on Tank Bracket	2	N.I.

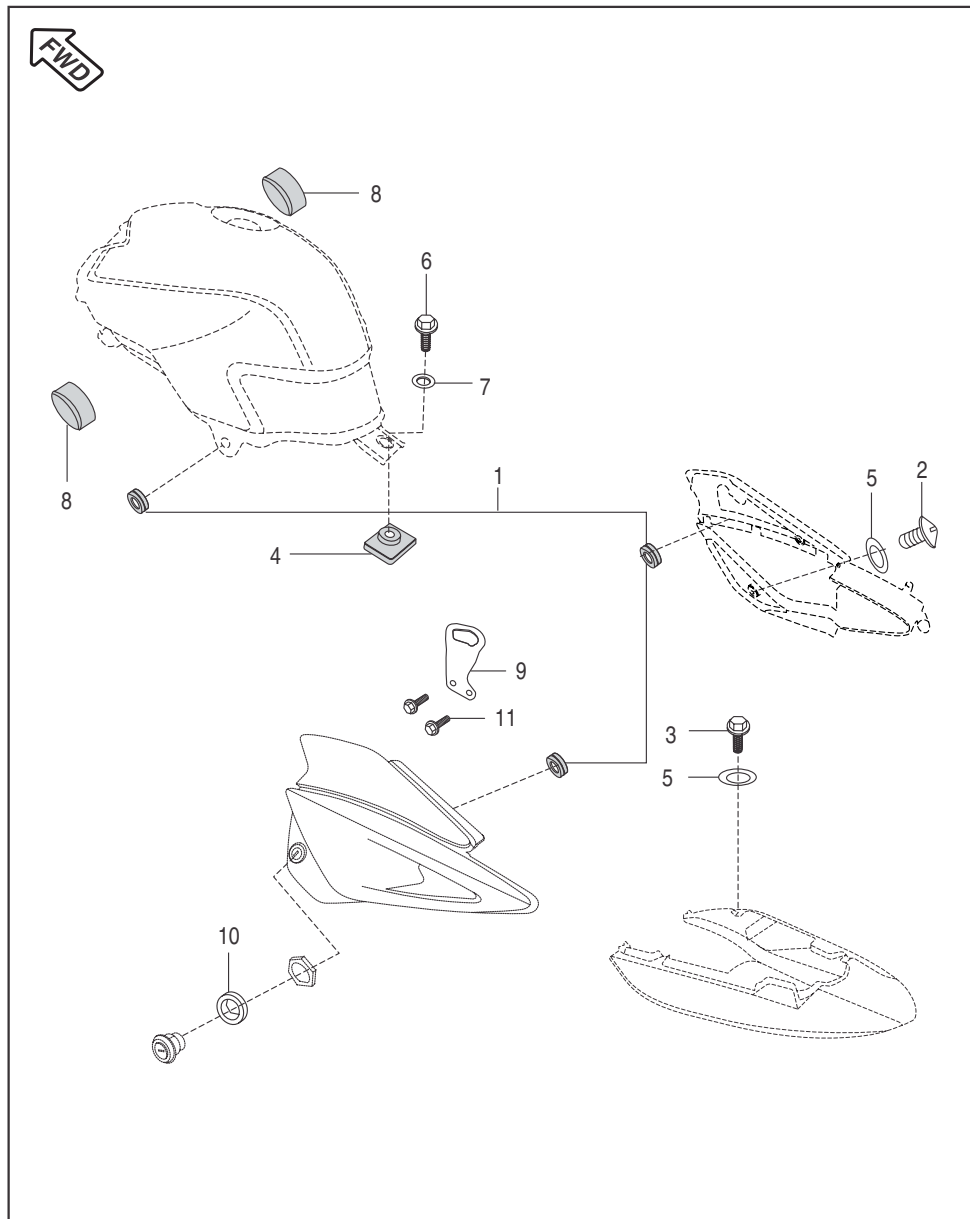
**Petrol Tank, Cap Tank and Gauge Fuel**



No.	Part No.	Description	Qty.	Remarks
1	JD 1716 00	Cap Assly. Tank	1	
2	39 2381 04	Screw Pan Cross	6	
3	JD 1710 30	Fuel Tap Assy	1	
	JD 1716 02	Fuel Tap Assly	1	Refer Cir - F40 29.04.14
4	JW 2326 01	3 In 1 Lock Set with Key	1	
5	30 1410 39	Packing	1	For Petrol Cock
6	DD 1410 22	Bolt Flanged	2	For Petrol Cock
7	39 0740 11	Washer (Non-Metallic)	2	For Petrol Cock
8	JD 4026 01	Fuel Gauge - Tank Unit (TFR)	1	
8A	39 2758 21	'O' Ring	1	For Tank Unit
9	JD 1710 38	Seat Tape	1	Pasted on Tank
10	39 2484 15	Flanged Nut	4	
11	JD 1718 00	Tube Fuel	1	Cock to Carburettor
12	33 1410 08	Pipe Clip	2	
13	DK 1410 15	Tank Pad		
14	JW 1710 26	Drain Pipe	1	N.I.
15	DJ 1410 02	Clamp Drain Pipe	1	N.I.

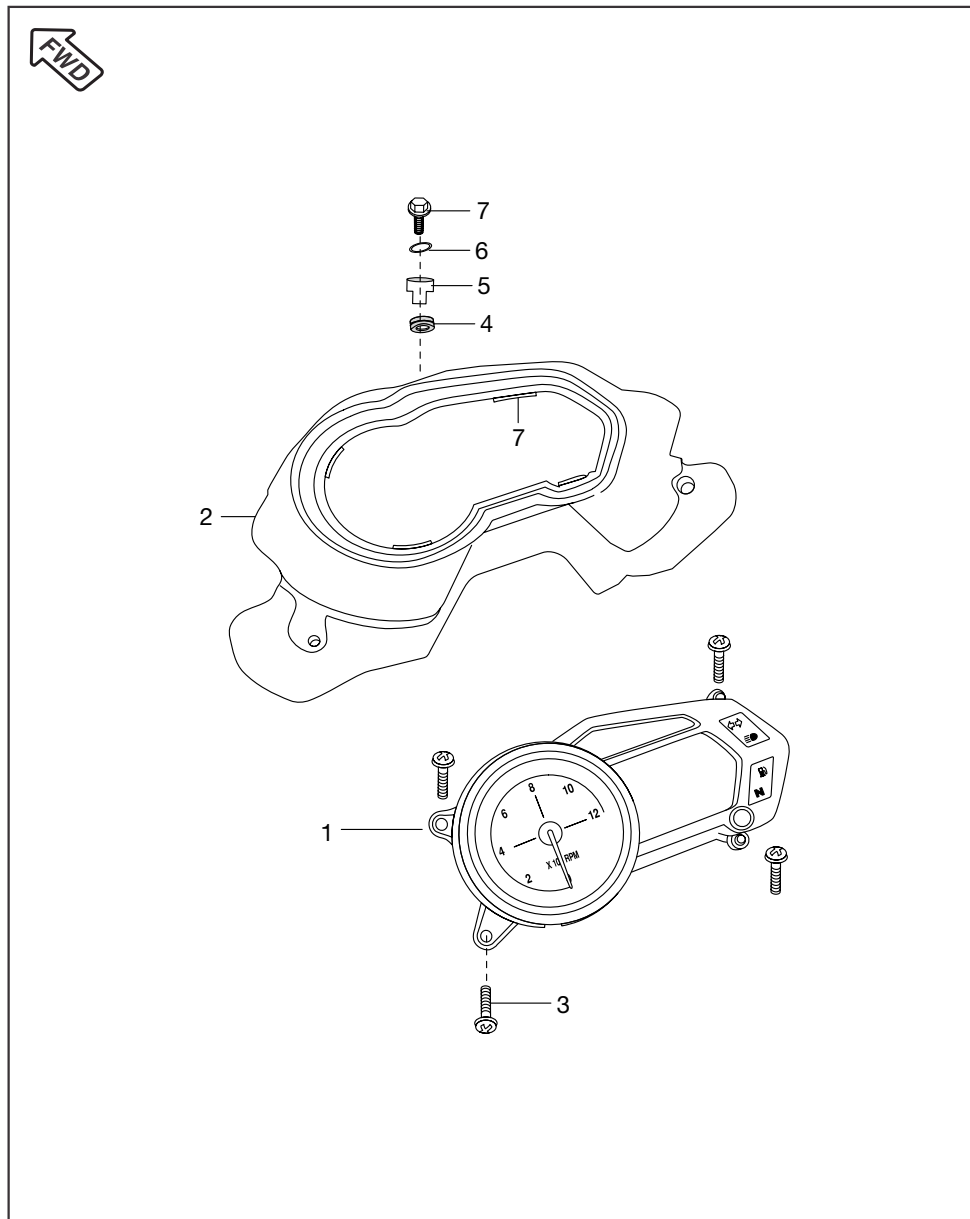


Fittings - Petrol Tank, Side Covers & Cover Seat



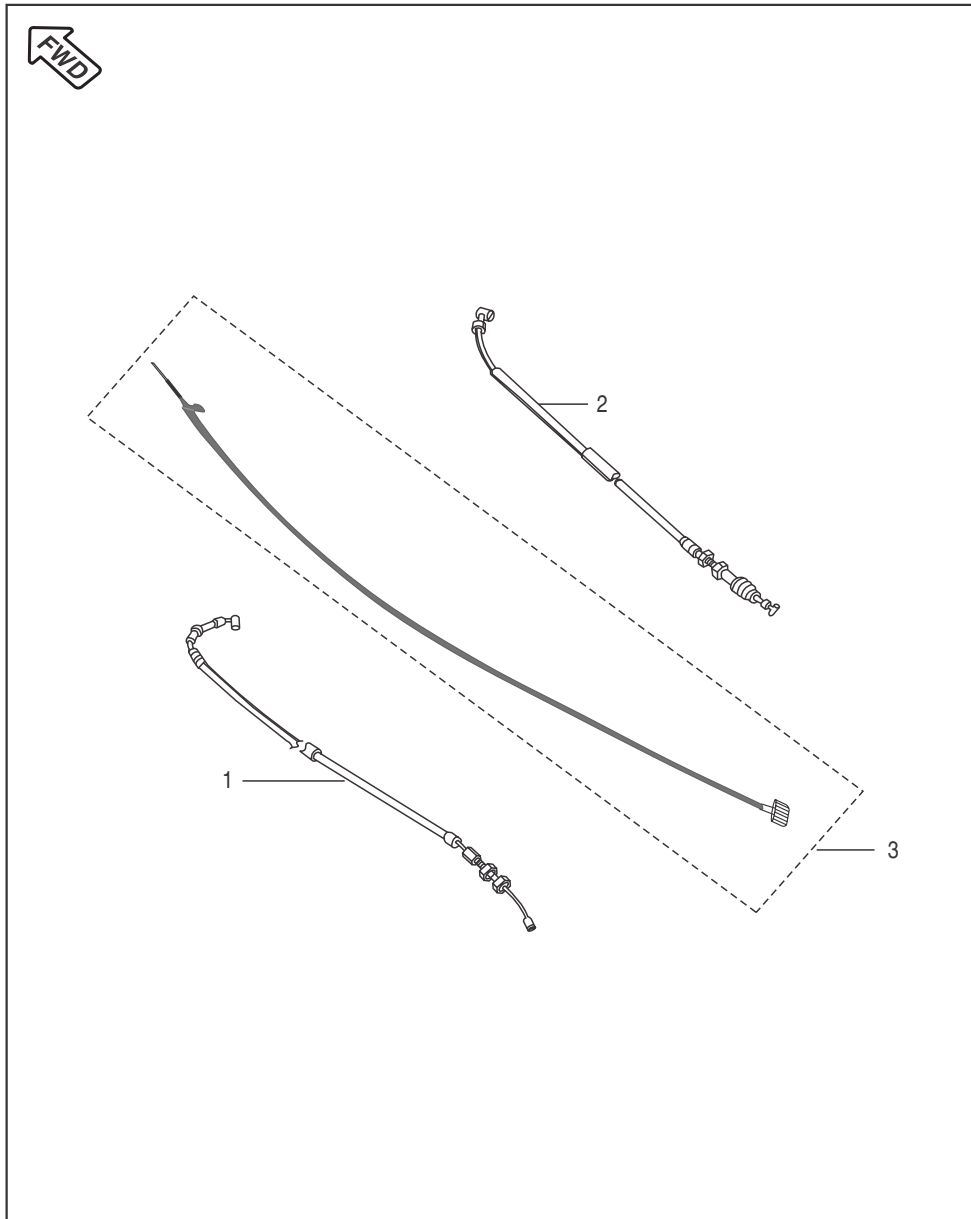
No.	Part No.	Description	Qty.	Remarks
1	36 JE00 09	Grommet Kit for Side Cover	1	Refer Page No.106
2	DG 1611 21	Screw	1	
3	39 1943 04	Flanged Bolt	2	Seat Cowl Mounting
4	JW 1710 17	Damper Rear	1	For Tank
5	39 1789 24	Washer Nylon	3	
6	JW 1110 25	Socket Head Bolt	1	
	39 1956 04	Bolt	1	From 01.11.2010
7	39 1054 11	Plain Washer	1	
	39 2424 11	Plain Washer	1	From 01.11.2010
8	DJ 1410 08	Damper Front	2	For Tank Mounting
9	JD 1110 12	Bracket Side Cover Lock	1	
10	DL 1610 15	Grommet Seat Cowl	2	
11	39 2754 04	Hex Head Bolt	2	For Side Cover Bracket Mounting

Meter Assembly



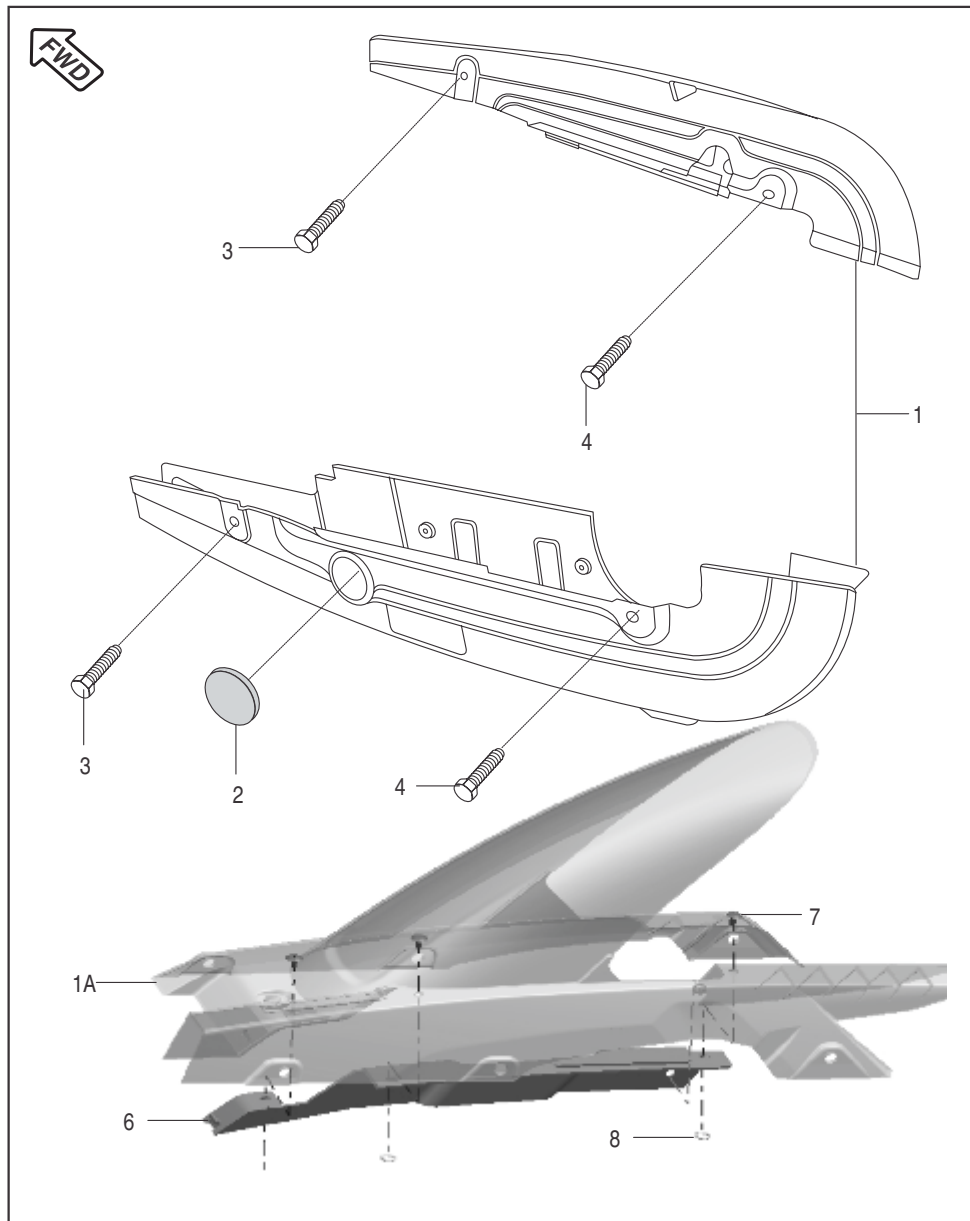
No.	Part No.	Description	Qty.	Remarks
1	JD 4024 00	Speedometer Assembly With Pig Tail	1	Upto-MD2JDJDZZSCJ04313
	JD 4024 01	Speedometer Assembly	1	From-MD2JDJDZZSCJ04314
	JD 4024 04	Speedometer Assembly	1	Alternate
2	JD 1812 11	Flap Cowling	1	
3	39 1778 02	Screw	4	
4	JC 1410 15	Grommet	3	
5	JC 1410 16	Collar	3	
6	39 0711 11	Washer	3	
7	DJ 1810 77	Special Bolt	3	
8	JD 4024 02	Speedometer Top Cover	1	N.I.
9	JN 4024 02	Speedometer Gasket Top Cover	1	N.I.

Control Cables



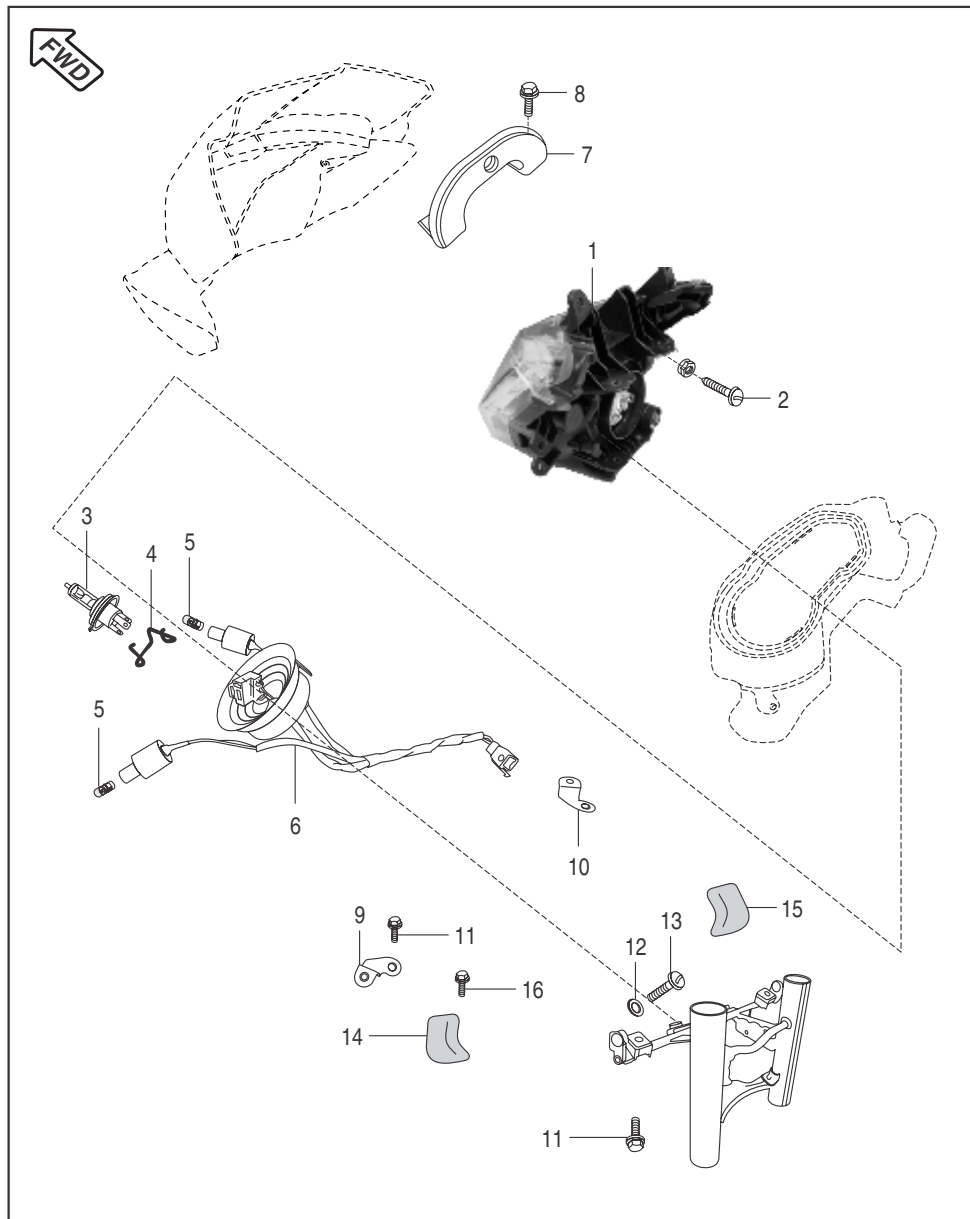
No.	Part No.	Description	Qty.	Remarks
1	JD 1612 00	Cable Accelerator	1	
2	JD 1612 01	Cable Clutch	1	
3	DJ 2011 83	Speedometer Sensor	1	
	DH 2010 80	Speedometer Sensor	1	F-36 dated 07.06.2013

Chain Case



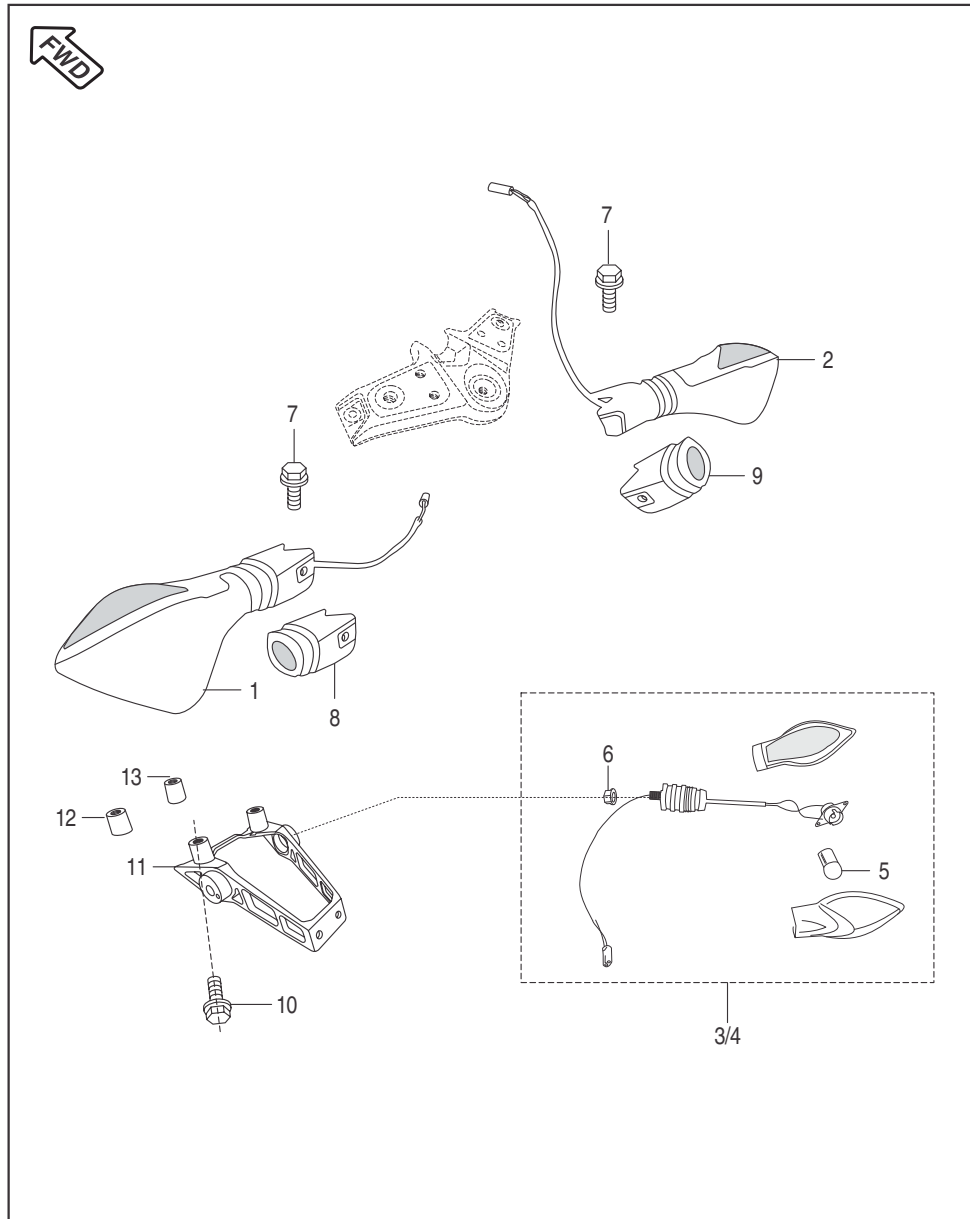
No.	Part No.	Description	Qty.	Remarks
1	52 JD00 25	Chain Case Assembly Kit	1	Refer Page No.106
1A	JD 1812 33	Hall Chain Cover Assly	1	From 18.06.2010
2	15 1610 69	Rubber Cap	1	
3	JB 1812 39	Bolt	2	Front & Rear Side Mtg.
4	JB 1812 20	Flange Bolt 62L	2	
5	JB 1812 21	Flange Bolt 50L	1	
6	JD 1812 32	Chain Case Inner	1	
7	JD 1812 34	Plastic Nail	3	
8	01 1605 08	Lock Washer	3	

Head Lamp & Fairing



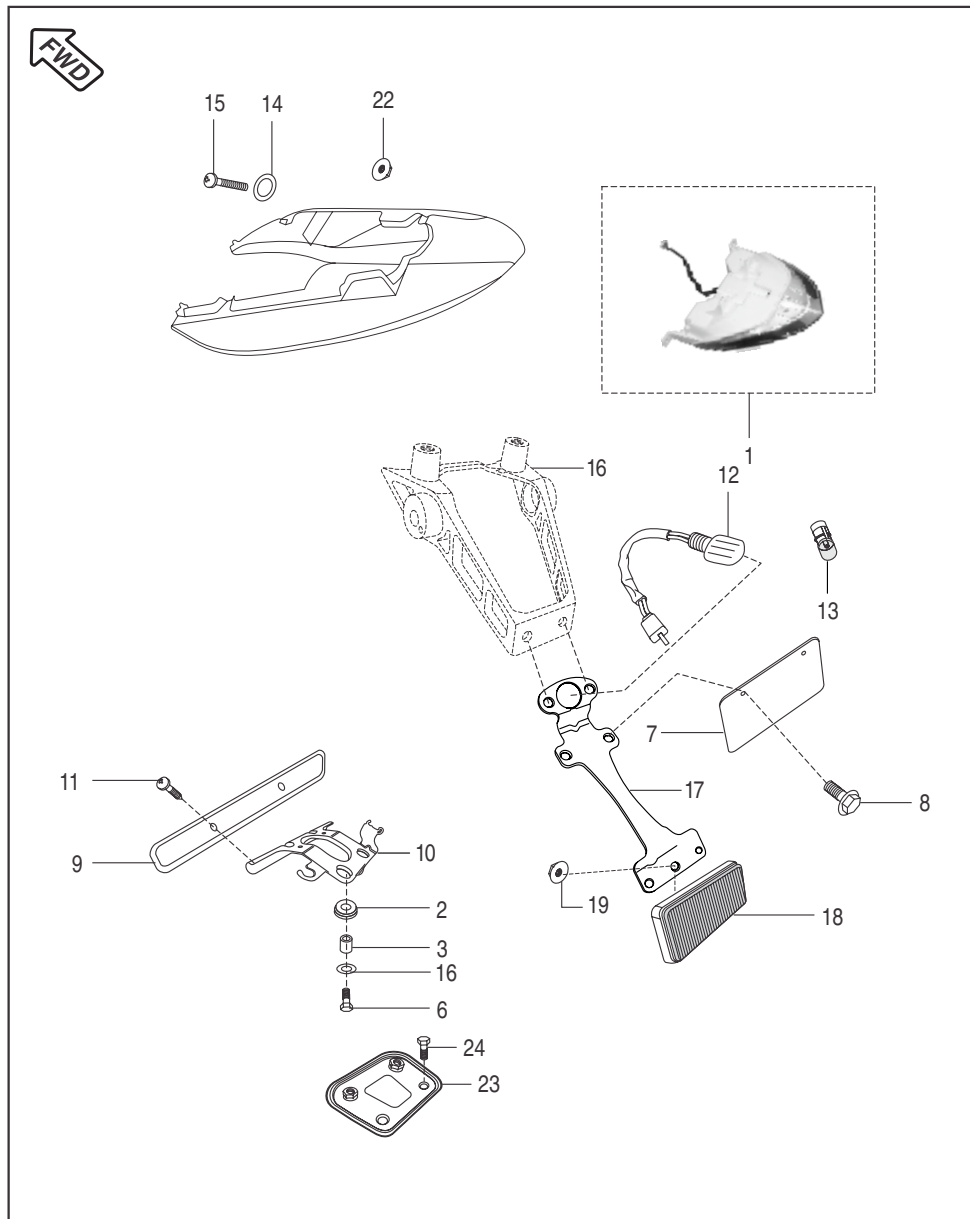
No.	Part No.	Description	Qty.	Remarks
1	JD 4010 24	Head Lamp Assembly	1	Without Bulb
2	39 1778 02	Screw Tapping	6	For Head Lamp
3	CL 2010 23	Lamp 12V 35/35W-HS1	1	
4	DS 2010 36	Head Lamp Bulb Clip	1	
5	DJ 2010 72	Lamp 12V 5W	2	Pilot Lamp
6	JD 4010 25	Head Lamp Harness Branch	1	
7	JD 1812 21	Bracket Speedo Cover Mtg	1	
8	39 2208 04	Bolt Flange Bracket Speedo	2	
9	JD 1510 38	Bracket H/L Mtg Lower RH	1	
10	JD 1510 37	Bracket H/L Mtg Lower LH	1	
11	39 1553 04	Bolt Flange M-6	4	
12	39 1765 11	Washer	2	For Bracket Cowling Mounting
13	39 1844 01	Screw M-5	2	
14	JD 1812 28	Cover Harness LH	1	
15	JD 1812 29	Cover Harness RH	1	
16	39 1943 04	Bolt Flange	2	For Cover Harness Side
17	39 1778 02	Screw	4	For Cowling LH / RH
18	35 1610 60	Nut Clip	2	For Cowling LH / RH
19	01 1605 08	Lock Washer	2	For Wind Shield

Indicator Light Assembly



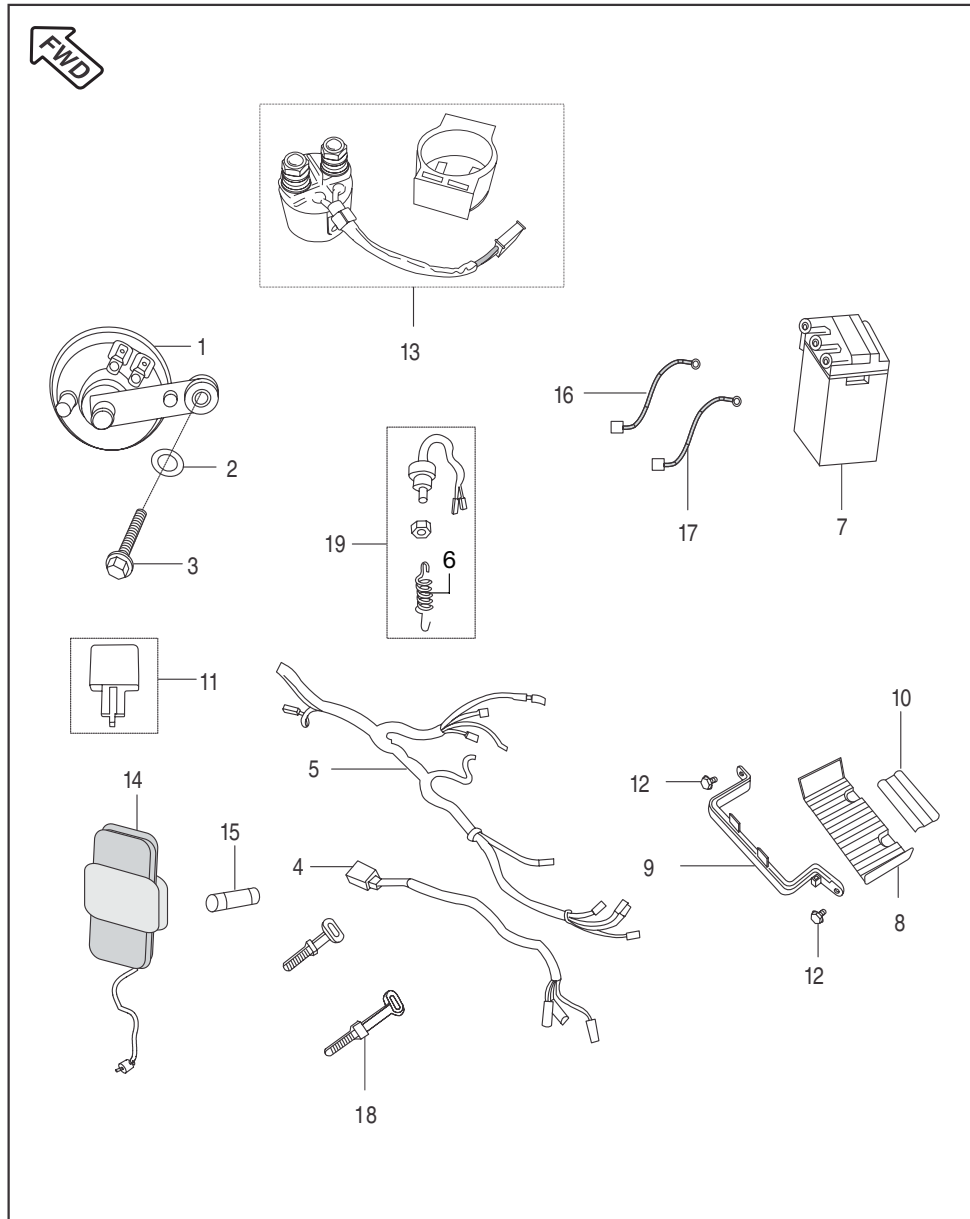
No.	Part No.	Description	Qty.	Remarks
1	JD 4010 05	Indicator Assembly Front LH	1	
2	JD 4010 06	Indicator Assembly Front RH	1	
3	JD 4010 03	Indicator Assembly Rear LH	1	
4	JD 4010 04	Indicator Assembly Rear RH	1	
5	GH 2010 12	Lamp 12 V - 10W	4	N.I.
6	39 1225 15	Hex Nut with Flange	2	For Mounting Blinker
7	39 1913 04	Bolt Flange	2	For Blinker Mounting Bracket
8	JD 1510 23	Bracket Front Blinker Mounting LH	1	
9	JD 1510 24	Bracket Front Blinker Mounting RH	1	
10	DG 1810 58	Socket Head Bolt	2	Bracket Mounting
11	JD 1138 01	Bracket Rear Blinker Mounting	1	
12	JD 2328 04	Rubber Bush -LH	1	
13	JD 2328 05	Rubber Bush -RH	1	

Tail Lamp Assly / Front Number Plate



No.	Part No.	Description	Qty.	Remarks
1	JD 4010 08	LED Tail Lamp	1	
2	DD 2010 11	Damper	2	For Front No. Plate
3	DJ 1810 83	Collar	2	For Front No. Plate
4	39 2124 15	Flange Nut	1	Reflector Mounting
5	JD 1138 00	Bracket Rear No. Plate	1	
6	39 1553 04	Bolt Flange	2	For Front No. Plate
7	DP 1611 45	Number Plate Rear	1	
8	39 2476 04	Hex Flanged Bolt	2	For Rear No. Plate
9	DP 1611 44	Number Plate Front	1	
10	JD 2328 02	Front No. Plate Mounting Bracket	1	
11	39 1783 01	Truss Screw Front No. Plate	2	No. Plate Lamp
12	JD 4010 07	No. Plate Lamp with 2 Point Coupler	1	
13	DJ 2010 72	Bulb 12V/ 5W	1	Rear No. Plate Lamp
14	39 2179 24	Washer (Non Metallic)	4	For LED Tail Lamp
15	39 1523 01	Screw For LED Tail Lamp	4	
16	JD 1138 01	Bracket Rear Blinker Mounting	1	
17	JD 1138 02	Bracket Reflector Mounting	1	N.I.
18	DD 2010 02	Reflector Reflex	1	
19	39 1972 15	Nut for Reflex	1	
20	JW 4010 10	Cap Tail Camp	1	N.I.
22	DJ 1612 29	Clip Nut Tail Lamp	4	
23	JD 2328 01	Bracket Number Plate Mounting	1	
24	39 1943 04	Bolt	2	

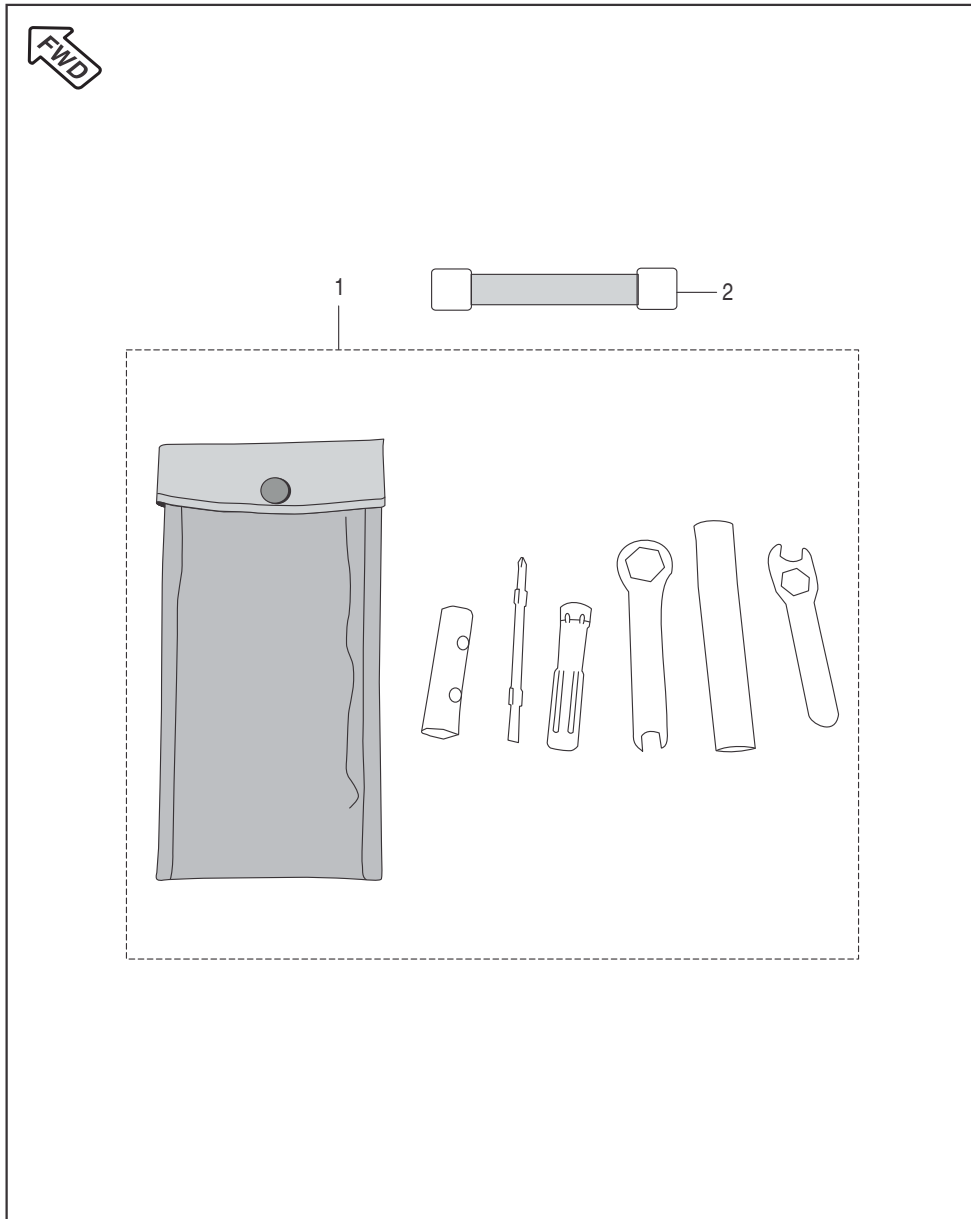
**Electrical Equipments**



No.	Part No.	Description	Qty.	Remarks
1	DK 2010 37	Horn LH with Stay	1	
	DK 2010 38	Horn RH with Stay	1	
2	39 1507 11	Plain Washer	1	
3	39 1956 04	Flange Bolt	1	
4	JD 4022 01	Wiring Harness Front	1	Upto MD2JDJDZSCJ04313
	JD 4022 14	Wiring Harness Front	1	From MD2JDJDZSCJ04314
5	JD 4022 02	Wiring Harness Rear	1	
	JD 4022 31	Wiring Harness Rear	1	From 20.01.2012
6	DH 1910 12	Spring Brake Switch	1	
7	DS 2010 81	Battery 5 AH	1	N.S.
8	JA 4018 00	Base Battery (ES)	1	
9	JA 4018 01	Band Battery (ES)	1	
10	JA 4018 05	Pad II	1	
11	DS 2010 25	Assly DC Flasher	1	
12	DS 1612 24	Bolt Flange	2	
13	JN 3516 04	Starter Relay	1	With Grommet
14	30 2011 04	Fuse Box Assly.	2	For Light Main Fuse
15	30 2010 85	Fuse	2	Light & Main Fuse
16	JA 4022 02	Cable Assly. (Earthing Cable)	1	
17	JW 4022 02	Cable Assly. Starter Relay to Motor	1	
18	30 1910 48	Band (Harness) (123 mm)	5	Length 123 mm
19	31 2010 79	Rear Brake Switch	1	
20	JD 4018 03	Battery Over Flow Pipe	1	From 18.06.2010

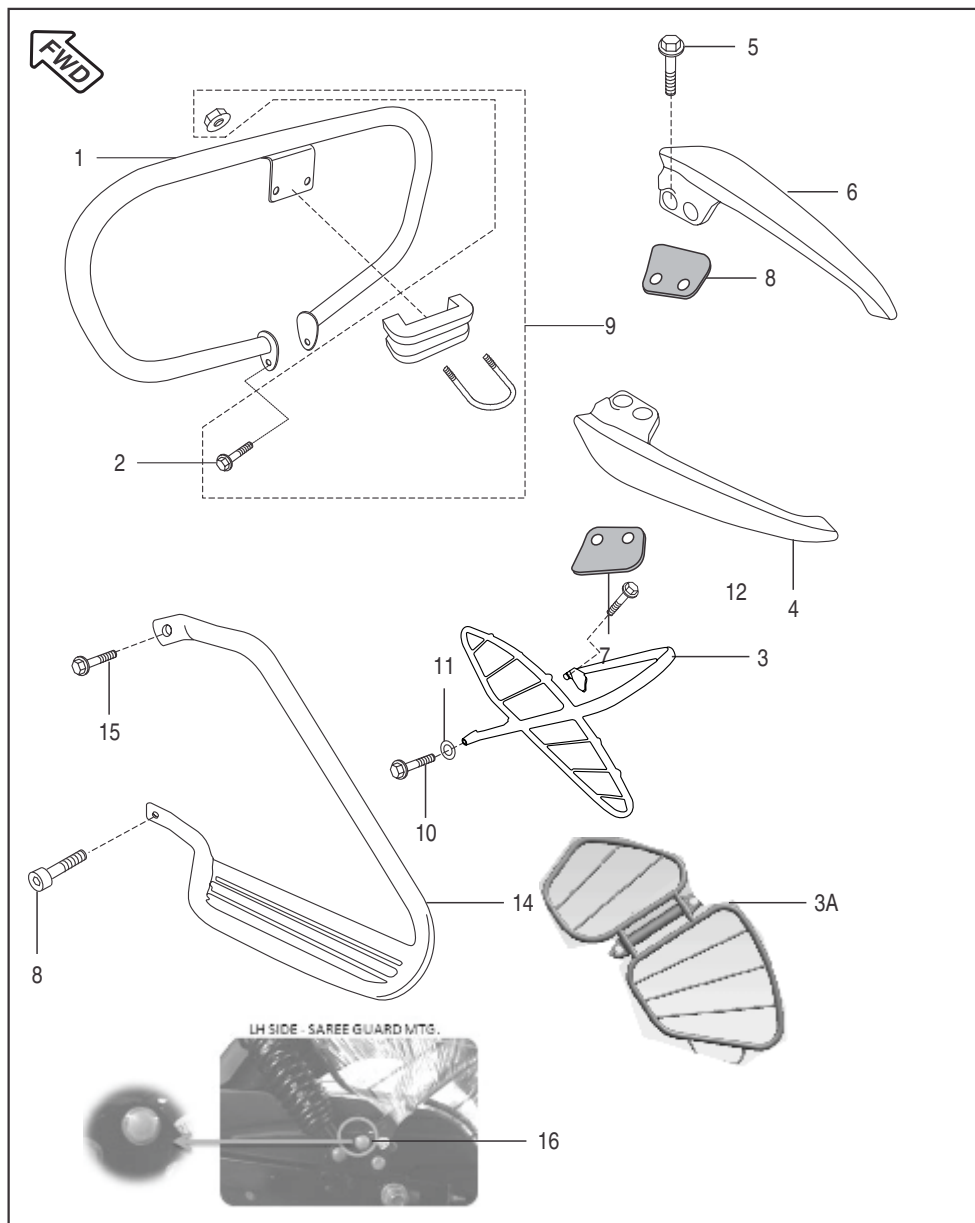


Tool Kit



No.	Part No.	Description	Qty.	Remarks
1	JD 2310 00	Tool Kit	1	For Reference Only

Accessories / Grab Handle



No.	Part No.	Description	Qty.	Remarks
1	JD 2312 01	Leg Guard	1	
2	39 0798 15	Bolt Flange	2	
3	JD 2312 02	Saree Guard	1	
	JD 2312 04	Saree Guard	1	From 18.06.2010
4	JD 2314 02	Grab Handle with Foam LH	1	
	JD 2314 08	Grab Handle LH (Black)	1	From Dec 2011
5	39 1946 04	Flange Bolt	4	For Mounting Grab Handle
6	JD 2314 03	Grab Handle Foam RH	1	
	JD 2314 09	Grab Handle RH (Black)	1	From Dec 2011
7	DJ 1610 79	Foam LH	1	} Saree Gaurd Mtg.
8	DJ 1610 80	Foam RH	1	
9	36 JW00 13	Kit Leg Guard	2	
10	39 1518 04	Hexagon Head Bolt	2	
11	39 1540 11	Plain Washer	2	
12	39 1912 04	Bolt Flange	1	
13	39 2711 15	Nut Flange M-6	2	
14	JD 2312 03	Ladies Foot Rest	1	
15	39 1849 04	Flange Bolt M-10	1	For ladies foot rest.
16	JN 2312 03	Flange Bolt M-8	2	
	LA D000 51	Flange Bolt M-8	2	From 02.03.2010

Kit List

Sr No	Kit Part No.	Kit Description	Consisting of Following Parts		
			Part No.	Description	Qty/Kit
1	36JE0001	Valve Repair Kit	39201719	Seat Valve Stem	2
			DG101029	Cotter Valve	2
			JD511205	Retainer Valve Spring	2
			JD511203	Seat Valve Spring	2
			JA511202	Spring Valve	2
2	36JE0003	Kit Guide Camchain	JW541012	Guide Camchain (Slack Side)	1
			JA521002	Guide Camchain (Tight Side)	1
3	36JE0002	Piston Ring Set	JE521202	Ring Piston Top	1
			JE521203	Ring Piston Second	1
			JE521204	Ring Piston Oil	1
4	36DU1007	Boss Kick Set	30101233	Boss Kit	1
			30101234	Spring	1
			30101236	Ball Steel	1
			30101235	Pin	1
			39085517	E - Type Clip	1
5	36JE0007	Chain Sprocket Kit	DJ151086	Sprocket Hub (42T)	1
			JV551000	Sprocket Drive (14T)	1
			JD141000	Chain 118 Link - 420 Series	1
6	36JW0014	Starter Clutch Repair Kit	JA621411	Bush Spring Starter Clutch	5
			DH101163	Roller Clutch	5
			JA621412	Spring	5
			DJ101109	Bush For Spring Starter Clutch	5
7	36JE0004	Set Primary Drive & Driven	JE551402	Housing Compl Clutch	1
			JA531010	Gear Primary Drive	1
8	36DS1802	Bearing Cone Kit	DH181025	Bearing cone	1
			DH181026	Bearing race	1
			DH181024	Upper bearing race	1

Kit List

Sr No	Kit Part No.	Kit Description	Consisting of Following Parts		
			Part No.	Description	Qty/Kit
9	36JE0009	Grommet Kit - Side Cover	DS141012	Grommet Side Cover Front	2
			DS161082	Grommet Side Cover Rear	2
10	52JD0025	Case Chain Kit	JD181213	Case Chain Upper Assly.	1
			JD181216	Case Chain Lower Assly.	1
			15161069	Cap Rubber	1
11	36JD0006	Jet Needle Hardware Kit	DP121056	Holder for Jet Needle	1
			JE581217	E - Type Clip	1
			PP121052	Washer - Jet Needle	1
			JE581216	Spring Jet Needle	1
12	36JD0005	Carb. Gasket- 'O' Ring Kit	DP121059	Gasket Float Chamber	1
			DH121018	Top Gasket	1
			JE581209	'O' - Ring	3
			JE581207	'O' - Ring 24x26 (eng Side)	1
			JE581215	'O' Ring Auto Chock	1
13	Dk121041	Idling Screw Kit	JE581210	Screw Idling Adjuster	1
			JE581211	Spring	1
	36JD0004	Vaccum Piston Kit	Je581212	Vaccum Piston Complete	1
			JE581213	Diaphram	1
			JE581214	Spring	1
14	36JD0001	Jet Kit	JE581201	Jet Needle	1
			JE581202	Needle Jet	1
			JE581203	Holder Needle Jet	1
			JE581204	Jet Main	1
			JE581201	Jet Pilot	1
15	36JD0002	VC Screw Kit	JE581206	Screw Adjuster VC	1
			JE581207	'O' - Ring Head	1
			JE581206	Spring Screw VC	1
			24121063	Plain Washer	1
			JE581209	'O' - Ring (at tip)	1



Parts Index

Part Number	Figure No.	Page No.	Part Number	Figure No.	Page No.
01 1605 08	19	94	31 2010 81	5	22
14 1510 33	15	28	33 1410 08	12	84
14 1510 33	23	24	35 1610 60	18	94
15 1610 69	2	92	36 DH19 02	15	62
22 1502 41	4	30	36 Dk00 09	10	36
30 1011 42	4	24	36 DK00 17	7	70
30 1011 95	11	26	36 DK00 18	8	70
30 1410 31	9	52	36 DU10 07	3	30
30 1410 39	5	84	36 DZ00 20	2	76
30 1510 05	21	68	36 JD00 01	3	32
30 1510 11	19	66	36 JD00 02	2	32
30 1510 33	1	60	36 JD00 03	4	32
30 1510 38	20	66	36 JD00 04	17	32
30 1511 05	17	66	36 JD00 05	18	32
30 1510 69	16	66	36 JD00 06	22	32
30 1510 75	13	66	36 JE00 01	6	6
30 1510 96	14	70	36 JE00 02	3	10
30 1511 18	18	60	36 JE00 03	6	8
36 3140 02	5	48	36 JE00 04	7	12
30 1810 11	2	48	36 JE00 04	16	28
30 1810 25	4	76	36 JE00 05	4	28
30 1810 26	3	76	36 JE00 07	2	66
30 1810 29	20	76	36 JE00 09	1	86
30 1910 17	10	72	36 JE00 12	5	10
30 1910 48	19	100	36 JE00 13	1	4
30 2010 85	16	100	36 Jz00 09	2	20
30 2011 04	15	100	36 Jz00 11	1	22
31 1011 73	3	12	36 Jz00 13	1	24

Parts Index

Part Number	Figure No.	Page No.	Part Number	Figure No.	Page No.
36 Jz00 15	1	26	39 0808 08	18	18
36 Ds18 02	4	48	39 0817 15	8	18
36 Ds18 02	10	76	39 0840 01	10	60
36 JW00 14	6	40	39 0900 12	9	60
38 1943 04	19	72	39 0987 17	3	14
39 0211 11	11	54	39 0992 06	2	16
39 0240 11	13	28	39 0992 06	4	38
39 0242 11	7	54	39 0993 11	5	30
39 0292 15	14	50	39 0999 06	6	20
39 0326 15	6	54	39 0999 06	12	22
39 0422 15	9	56	39 0999 06	24	24
39 0454 11	9	50	39 1000 06	2	10
39 0553 02	8	50	39 1040 11	6	52
39 0594 17	12	8	39 1040 11	8	52
39 0694 15	12	70	39 1041 19	3	24
39 0711 11	6	88	39 1054 11	7	86
39 0722 11	19A	66	39 1065 04	2	26
39 0738 17	6	30	39 1180 11	27	74
39 0740 11	7	84	39 1181 01	12	76
39 0746 01	4	42	39 1225 15	6	96
39 0747 01	9	22	39 1283 21	8	4
39 0784 08	7	52	39 1283 21	12	4
39 0789 12	11	70	39 1506 11	15	52
39 0794 15	9	66	39 1507 11	2	100
39 0797 08	3	56	39 1518 04	10	104
39 0798 15	2	104	39 1523 01	15	98
39 0801 15	3	66	39 1540 11	11	104
39 0807 08	13	70	39 1553 04	6	98

Parts Index

Part Number	Figure No.	Page No.	Part Number	Figure No.	Page No.
39 1553 04	11	94	39 1943 04	22	78
39 1671 21	20	24	39 1943 04	24	98
39 1673 04	10	40	39 1946 04	5	104
39 1673 04	11	8	39 1956 04	3	100
39 167304	22	24	39 1964 04	14	20
39 1674 04	5	4	39 1970 15	2	46
39 1675 04	3	42	39 1972 15	19	98
39 1677 04	19	34	39 1981 04	23	14
39 1715 19	4	22	39 1998 19	4	70
39 1740 04	10	20	39 1998 19	17	18
39 1759 04	17	22	39 2017 19	7	6
39 1765 11	12	94	39 2060 04	19	54
39 1773 04	17	34	39 2121 04	7	62
39 1778 02	2	94	39 2124 15	4	98
39 1778 02	3	88	39 2179 24	14	98
39 1778 02	17	94	39 2190 19	7	22
39 1783 01	11	98	39 2492 11	8	36
39 1789 24	5	86	39 2198 04	4	8
39 1844 01	13	94	39 2200 11	12	28
39 1849 04	15	104	39 2208 04	8	94
39 1902 04	5	44	39 2240 20	6	66
39 1912 04	12	104	39 2312 04	3	46
39 1912 04	13	54	39 2381 04	2	84
39 1913 04	7	96	39 2408 17	12	30
39 1943 04	3	86	39 2420 01	8	54
39 1943 04	12	42	39 2427 04	16	72
39 1943 04	12	54	39 2443 11	9	24
39 1943 04	16	94	39 2447 04	23	68

Parts Index

Part Number	Figure No.	Page No.	Part Number	Figure No.	Page No.
39 2453 04	19	18	52 JE00 14	1	4
39 2476 04	8	98	52 JE00 16	5	10
39 2484 15	10	84	52 JE00 17	1	26
39 2498 04	4	46	52 JE00 18	1	24
39 2562 20	2	22	59 0200 01	7	82
39 2600 11	3	28	59 0400 14	15	42
39 2608 01	10	4	59 0400 50	8	2
39 2629 21	11	4	59 1100 08	2B	12
39 2669 21	13	8	59 1200 03	2A	12
39 2686 20	12	66	59 1500 14	1	12
39 2687 20	15	66	59 2000 36	3	20
39 2688 20	2	60	59 2000 36	3	22
39 2704 11	7	18	59 2100 19	8	60
39 2711 15	13	104	59 2100 23	14	22
39 2723 15	6	46	59 2100 24	20	14
39 2726 12	6	50	CB 1011 14	2	36
39 2754 04	7	36	CF 1110 19	8	42
39 2754 04	11	86	CL 2010 23	3	94
39 2754 04	13	34	CS 1011 28	9	8
39 2758 21	8A	84	DD 1010 62	10	8
36 JW00 13	9	104	DD 1010 97	13	30
52 JA00 23	1	38	DD 1110 11	10A	42
52 JD00 25	1	92	DD 1110 12	11	42
52 JD00 61	2	80	DD 1110 18	8	42
52 JD00 62	3	80	DD 1110 48	9	42
52 JD00 67	6	80	DD 1211 81	19	24
52 JE00 12	2	20	DD 1410 22	6	84
52 JE00 13	1	22	DD 1610 71	11	36

Parts Index

Part Number	Figure No.	Page No.	Part Number	Figure No.	Page No.
DD 1911 47	11	72	DH 1010 48	5	8
DD 2010 02	18	98	DH 1017 84	6	22
DD 2010 11	2	98	DH 1013 01	12	36
DE 1510 06	3	60	DH 1013 80	8	20
DE 1510 08	5	60	DH 1013 92	7	8
DE 1510 12	4	60	DH 1013 95	5	36
DE 1510 33	12	64	DH 1015 09	16	18
DE 1510 34	13	64	DH 1016 48	14	28
DE 1510 35	14	64	DH 1017 81	2	40
DE 1510 36	15	64	JD 3512 05	10B	42
DE 1510 46	4	64	DH 1110 15	9	42
DE 1510 47	5	64	DH 1210 38	10	34
DE 1510 48	3	64	DH 1210 59	6	32
DE 1910 10	5	62	DH 1210 63	5	32
DE 1910 11	4	62	DH 1210 63	16	32
DE 1910 28	14	62	DH 1210 64	21	32
DE 1910 29	13	62	DH 1510 29	10	70
DE 1910 33	6	62	DH 1611 45	5	56
DF 1611 02	8	56	DH 1611 46	11	56
DG 1010 29	3	6	DH 1612 39	4	56
DG 1014 18	7	24	DH 1612 40	7	56
DG 1210 02	8	34	DH 1613 09	13	56
DG 1611 21	2	86	DH 1810 08	3	48
DG 1611 24	10	56	DH 1810 22	15	72
DG 1611 44	14	52	DH 1910 07	12	72
DG 1810 08	3	54	DH 1910 12	6	100
DG 1810 08	4	72	DH 1910 14	13	72
DG 1810 58	10	96	DH 1910 17	24	74

Parts Index

Part Number	Figure No.	Page No.	Part Number	Figure No.	Page No.
DJ 1410 02	15	84	DJ 1811 04	6	76
DJ 1410 08	8	86	DJ 1910 23	1	62
DJ 1510 31	7	76	DJ 1910 29	8	62
DJ 1510 33	25	68	DJ 1910 30	9	62
DJ 1510 36	12	50	DJ 1910 31	10	62
DJ 1510 37	13	50	DJ 1910 54	7	72
DJ 1510 47	16	50	DJ 1910 55	8	72
DJ 1510 72	7	64	DJ 1910 56	11	62
DJ 1510 73	8	64	DJ 1910 57	3	62
DJ 1510 74	9	64	DJ 2010 72	5	94
DJ 1510 75	10	64	DJ 2010 72	13	98
DJ 1510 88	14	66	DJ 2011 08	16	62
DJ 1510 92	18	66	DJ 2011 09	12	62
DJ 1510 94	6	60	DJ 2011 09	20	100
DJ 1610 69	5	54	DJ 2011 83	3	90
DJ 1610 79	7	104	DJ 2011 95	21	74
DJ 1610 80	8	104	DK 1013 14	9	36
DJ 1610 91	2	54	DK 1410 15	13	84
DJ 1612 29	22	98	DK 1810 31	20	72
DJ 1612 80	2	64	DK 1810 58	26	74
DJ 1710 33	27	68	DK 2010 37	1	100
DJ 1810 29	25	78	DK 2010 38	1	100
DJ 1810 52	26	78	DK 2110 07	6	44
DJ 1810 64	24	78	DK 2110 08	4	44
DJ 1810 77	7	88	DL 1610 15	10	86
DJ 1810 77	10	44	DL 1610 15	14	54
DJ 1810 83	3	98	DL 1910 14	9	72
DJ 1810 85	27	78	DM 1810 10	13	76

Parts Index

Part Number	Figure No.	Page No.	Part Number	Figure No.	Page No.
DP 1011 07	5	28	DS 1611 25	4	54
DP 1011 11	6	28	DS 1612 24	13	100
JE 5514 05	10	28	DS 1810 15	8	76
DP 1011 14	17	28	DS 1810 16	9	76
DP 1011 16	11	28	DS 1910 52	14	72
DP 1011 65	4	10	DS 1910 52	17	72
DP 1011 98	7	4	DS 2010 25	12	100
DP 1210 67	7	32	DS 2010 36	4	94
DP 1510 18	2	30	DS 2010 81	8	100
DP 1611 44	9	98	DS 2110 05	2	44
DP 1611 45	7	98	DU 1010 85	7	20
DP 1710 06	6	48	DU 1012 13	22	14
DP 1710 06	17	50	DX 1510 22	11	66
DS 1011 17	8	30	DX 1510 81	1	66
DS 1011 23	10	24	FD 1010 78	3	38
DS 1011 54	6	12	GH 2010 12	5	96
DS 1012 15	8	24	JA 1130 11	14	56
DS 1012 76	3	8	JA 1132 01	2	56
DS 1099 05	14	8	JA 1134 02	7	46
DS 1211 26	7	34	JA 1134 03	1	46
DS 1510 29	6	58	JA 1134 04	5	46
DS 1510 31	5	58	JA 3516 00	7	40
DS 1510 48	2	58	JA 3516 02	11	40
DS 1510 49	3	58	JA 3516 04	8	40
DS 1510 61	5	66	JA 3516 06	9	40
DS 1510 68	7	66	JA 3516 08	12	40
DS 1510 73	8	66	JA 3516 09	13	40
DS 1510 74	10	66	JA 3516 18	14	40

Parts Index

Part Number	Figure No.	Page No.	Part Number	Figure No.	Page No.
JA 3516 19	16	40	JA 5410 19	13	22
JA 3516 24	15	40	JA 5410 20	18	22
JA 3516 26	9	40	JA 5410 21	15	22
JA 3516 27	11	40	JA 5410 27	11	22
JA 4018 00	9	100	JA 5410 28	14	42
JA 4018 01	10	100	JA 5410 34	10	22
JA 4018 05	11	100	JA 5412 05	3	26
JA 4022 02	17	100	JA 5412 11	11	24
JA 5110 08	4	2	JA 5412 12	16	24
JA 5110 11	6	2	JA 5412 16	14	24
JA 5110 11	9	34	JA 5412 21	8	26
JA 5110 28	2	4	JA 5412 25	12	24
JA 5110 29	7	2	JA 5510 02	4	14
JA 5112 16	2	8	JA 5510 04	8	14
JA 5210 17	8	8	JA 5510 07	15	14
JA 5210 18	10	8	JA 5510 08	18	14
JA 5210 19	18	34	JA 5510 09	19	14
JA 5310 15	9	12	JA 5512 06	16	14
JA 531012	8	12	JA 5412 37	10	24
JA 5410 05	8	22	JA 5514 06	2	28
JA 5410 05	9	26	JA 5514 22	7	28
JA 5410 10	5	20	JA 5612 09	6	18
JA 5410 11	4	20	JA 5810 05	3	34
52 Ja00 27	13	20	JA 5810 06	4	34
JA 5410 14	12	20	JA 5810 09	5	34
JA 5410 15	9	20	JA 5810 11	16	34
JA 5410 16	2	38	JA 5810 12	6	34
JA 5410 18	5	38	JA 5810 13	15	34



Parts Index

Part Number	Figure No.	Page No.	Part Number	Figure No.	Page No.
JA 5910 40	3	36	JC 1410 17	8	82
JA 6210 02	9	30	JC 1910 09	2	70
JA 6210 06	11	30	JC 1910 09	13	18
JA 6214 02	4	40	JD 1110 01	1	48
JA 6214 06	5	40	JD 1110 12	9	86
JA 6214 10	3	40	JD 1110 12	11	34
JA 6214 14	1	40	JD 1130 02	1	52
JB 1110 33	7	48	JD 1130 03	2	52
JB 1220 03	7	50	JD 1130 13	3	52
JB 1220 09	5	50	JD 1130 14	13	52
JB 1220 10	2B	50	JD 1130 15	4	52
JB 1220 11	2A	50	JD 1130 16	10	52
JB 1220 16	1	50	JD 1130 17	11	52
JB 1310 17	16	60	JD 1130 19	5	52
JB 1310 18	14	60	JD 1130 24	12	52
JB 1310 19	11	50	JD 1130 25	16	52
JB 1310 19	17	60	JD 1132 00	6	56
JB 1510 22	21	78	JD 1132 01	12	56
JB 1812 20	4	92	JD 1134 00	8	46
JB 1812 21	5	92	JD 1138 00	5	98
JB 1812 39	3	92	JD 1138 01	11	96
JB 4014 02	18	72	JD 1138 01	16	98
JB 4022 02	7	10	JD 1138 02	17	98
JB 5110 20	5	2	JD 1220 01	4	50
JB 5310 21	10	12	JD 1220 02	10	50
JB 6210 03	10	30	JD 1220 03	3	50
JC 1410 15	4	88	JD 1220 04	9	70
JC 1410 16	5	88	JD 1310 02	1	58

Parts Index

Part Number	Figure No.	Page No.	Part Number	Figure No.	Page No.
JD 1310 02	13	60	JD 1612 01	2	90
JD 1316 01	22	68	JD 1710 16	3	82
JD 1318 08	2	62	JD 1710 18	5	82
JD 1318 09	15	54	JD 1710 30	3	84
JD 1318 10	12	60	JD 1710 38	9	84
JD 1318 11	11	60	JD 1716 00	1	84
JD 1510 00	1	76	JD 1718 00	11	84
JD 1510 03	14	76	JD 1810 00	20	54
JD 1510 04	15	76	JD 1810 01	21	54
JD 1510 06	23	78	JD 1810 02	22	54
JD 1510 15	1	72	JD 1810 03	10	54
JD 1510 16	3	72	JD 1812 11	2	88
JD 1510 17	2	72	JD 1812 21	7	94
JD 1510 23	8	96	JD 1812 28	14	94
JD 1510 24	9	96	JD 1812 29	15	94
JD 1510 26	5	76	JD 1814 01	1	54
JD 1510 28	19	76	JD 1814 02	9	54
JD 1510 29	11	76	JD 1814 04	17	54
JD 1510 32	28	74	JD 1814 05	16	54
JD 1510 34	22	74	JD 1814 06	18	54
JD 1510 35	23	74	JD 1910 00	1	44
JD 1510 37	10	94	JD 1910 03	3	44
JD 1510 38	9	94	JD 1910 06	7	44
JD 1510 39	17	76	JD 1910 07	8	44
JD 1610 01	1	70	JD 1910 08	9	44
JD 1610 02	5	70	JD 2310 00	1	102
JD 1610 03	6	70	JD 2312 01	1	104
JD 1612 00	1	90	JD 2312 02	3	104

Parts Index

Part Number	Figure No.	Page No.	Part Number	Figure No.	Page No.
JD 2312 03	14	104	JD 4026 01	8	84
JD 2314 02	4	104	JD 5110 04	9	4
JD 2314 03	6	104	JD 5110 06	1	2
JD 2316 00	29	74	JD 5110 08	3	4
JD 2316 01	30	74	JD 5110 10	3	2
JD 2328 01	23	98	JD 5112 01	4	6
JD 2328 02	10	98	JD 5112 02	5	6
JD 2330 00	13	80	JD 5112 07	2	6
JD 2330 01	12	80	JD 5112 09	1	6
JD 2330 02	13	80	JD 5112 11	1	8
JD 2330 03	12	80	JD 5210 02	1	10
JD 2330 04	13	80	JD 5310 04	11	12
JD 2330 05	12	80	JD 5410 00	12	12
JD 2330 06	13	80	JD 5510 00	1	14
JD 2330 07	12	80	JD 5510 02	9	14
JD 4010 03	3	96	JD 5512 00	14	14
JD 4010 04	4	96	JD 5512 01	7	14
JD 4010 05	1	96	JD 5512 02	11	14
JD 4010 06	2	96	JD 5512 03	12	14
JD 4010 07	12	98	JD 5512 04	13	14
JD 4010 08	1	98	JD 5512 05	6	14
JD 4010 24	1	94	JD 5512 06	5	14
JD 4010 25	6	94	JD 5512 07	2	14
JD 4022 01	4	100	JD 5512 08	10	14
JD 4022 02	5	100	JD 5512 09	17	14
JD 4022 14	4	100	JD 5514 00	1	28
JD 4024 00	1	88	JD 5610 01	1	16
JD 4024 01	10A	88	JD 5610 02	7	16

Parts Index

Part Number	Figure No.	Page No.	Part Number	Figure No.	Page No.
JD 5610 04	5	16	JD 7401 4R	9	80
JD 5610 05	6	16	JD 7402 4M	10A	80
JD 5610 06	4	16	JD 7402 4R	10	80
JD 5610 11	3	16	JD 7403 4M	11	80
JD 5612 03	4	18	JD 7403 4R	11	80
JD 5612 04	5	18	JD 7601 4M	4	80
JD 5614 11	9	18	JD 7601 4R	4	80
JD 5614 13	10	18	JE 3510 02	1	42
JD 5614 14	11	18	JE 3512 00	7	42
JD 5614 16	12	18	JE 3512 03	5	42
JD 5614 17	14	18	JE 3512 04	6	42
JD 5614 18	15	18	JE 5010 00	1	20
JD 5810 01	2	34	JE 5010 01	1	20
JD 5810 05	1	34	JE 5310 00	4	12
JD 5810 07	14	34	JE 5310 01	5	12
JD 5812 02	12	32	JE 5410 08	14	30
JD 5910 26	4	36	JE 5412 07	5	26
JD 5910 56	1	36	JE 5412 08	21	24
JD 6210 01	7	30	JE 5412 09	13	24
JD 7101 4M	1	80	JE 5412 10	6	26
JD 7101 4R	1	80	JE 5412 11	2	24
JD 7202 4M	5	80	JE 5412 12	12	26
JD 7202 4R	5	80	JE 5514 03	8	28
JD 7301 4M	7	80	JE 5514 04	9	28
JD 7301 4R	7	80	JE 5514 00	18	28
JD 7302 4M	8	80	JE 5514 01	6	24
JD 7302 4R	8	80	JE 5810 00	12	34
JD 7401 4M	9	80	JE 5812 00	1	32

Parts Index

Part Number	Figure No.	Page No.	Part Number	Figure No.	Page No.
JE 5812 15	11	32	JV 5410 07	17	24
JE 5812 18	20	32	JV 5412 07	10	26
JE 5812 19	19	32	JV 5412 08	5	24
JE 5812 20	8	32	JV 5412 09	18	24
JE 5812 21	10	32	JV 5510 00	21	14
JE 5812 22	9	32	JV 5510 02	9	14
JE 5812 23	14	32	JW 1110 25	6	86
JE 5812 24	15	32	JW 1132 00	1	56
JE 5812 25	13	32	JW 1312 10	4	58
JE 5814 00	4	4	JW 1318 07	6	64
JE 5814 01	6	4	JW 1318 10	11	64
JE 6212 00	1	30	JW 1710 06	9	82
JF 4014 00	5	72	JW 1710 07	4	82
JF 4014 01	6	72	JW 1710 14	1	82
JK 1210 07	16	76	JW 1710 15	2	82
JK 1210 09	18	76	JW 1710 16	6	82
JK 1610 00	3	70	JW 1710 17	4	86
JN 1310 03	15	60	JW 1710 26	14	84
JN 1312 11	24	68	JW 2326 01	4	84
JN 1316 03	7	60	JW 2326 01	25	74
JN 1318 06	1	64	JW 3514 00	6	10
JN 3516 04	14	100	JW 4010 10	20	98
JP 3510 07	2	42	JW 4020 01	13	42
JV 5210 03	8	8	JW 4022 02	18	100
JV 5410 07	2	2	JW 5510 00	18	24
JV 5410 07	4	26	JW 5612 05	1	18
JV 5410 07	11	20	JW 5612 06	2	18
JV 5410 07	16	22	JW 5612 08	3	18

Parts Index

Part Number	Figure No.	Page No.	Part Number	Figure No.	Page No.
JW 5910 30	6	36			
JZ 4010 13	7	100			
JZ 5110 20	5	2			
JZ 5110 21	1	2			
JZ 5310 03	4	12			
JZ 5512 03	15	14			
JZ 5512 04	16	14			
LA D000 18	7	26			
LA D000 18	15	24			
LD B000 01	4	66			
LD B000 02	26	68			