

BAJAJ
pulsar DTS-i
180
UG, BS IV



BAJAJ
pulsar DTS-i
180
UG, BS IV

Bajaj Auto Limited
Akurdi, Pune - 411 035. India.
Tel : +91 20 27472851
Fax : +91 20 27407385
Toll Free : 1800 233 2453
Website : www.bajajauto.com
CIN L65993PN2007PLC130076

Spare Parts Catalogue



Notice

All information contained in this manual is based on the latest product information at the time of publication. Bajaj Auto Limited accepts no liability for any inaccuracies or omissions in this publication, although every possible care has been taken to make it as complete and accurate as possible. All procedures and specifications subject to change without prior notice. The right is reserved to make such changes at any time without prior notice and without incurring an obligation to make such changes to product manufactured previously. Contact your authorized Bajaj Dealer for the latest information on product improvements incorporated after this manual was issued.

DOC. NO. : 71112583

REV. 08, AUG 17

Copy rights : All rights reserved. No part of this publicatin may be reproduced, stored in a retrival system, Or transmitted in any form or by any means, electronic mechanical photocopying, recording or otherwise, without the prior written permission of Bajaj Auto LTD.

We have pleasure in presenting the Spare Parts Catalogue for 'Pulsar 180 UG, (BS IV)' Motorcycle. This catalogue has been specially designed to assist you in selecting the correct parts for procurement to maintain 100% availability.

The Bajaj spares are subjected to the stringent quality control standards to ensure longer life of the vehicle. It is therefore necessary that only the Genuine Bajaj Spares are used.

In a continual effort to improve Performance and Efficiency of the vehicles, Specifications, Diagrams, Illustrations and Part Numbers can change without notice. Consequently, the description in this Spare Parts Catalogue cannot therefore be final and binding on us.

The modifications / alterations which are carried out after the issue of this catalogue, will be conveyed to you through our Service Circulars. You are requested to make necessary corrections in the Parts Catalogue as per the circulars so as to keep your catalogue up-to-date. This will ensure the appropriate and speedy delivery of the Spare Parts as the order placed will bear the latest part numbers.

In case, if you need any technical assistance contact the concerned Regional Office or write to us on the following address :

Bajaj Auto Limited
Service Department
Akurdi, Pune 411 035 India

1. How to Read the Catalogue : Open the catalogue and from the pictorial index locate the group in which the part you want to find is present. Turn over to the concerned page number (as given by pictorial index). Now find out the figure of the part you wish to order. Write down the part number against that particular figure number from the text.

In case, if you have the part number and you need the other details, the part index can be used. The part index (at the end of the catalogue) will give you the figure and page number of the part you wish to order.

2. How to Order Spare Parts : The part number and the description of the part required should be invariably mentioned in the order as per the catalogue text.

The latest part number as conveyed through our service circulars should only appear on the order. In case of ordering painted components, colour shade of the components should be mentioned.

The quantity shown against the part number is the quantity per vehicle for that group so that particular quantity should be multiplied by the number of sets required.

3. Part Number System : We have used 8 digit system for part numbers. The model or hardware item is indicated by first two digits or alphanumeric, the next two or four digits indicate main group and the last four or two digits indicate serial number in main group or serial number or subgroup of fastener respectively. Thus the part numbers will be indicated by 2-2-4 or 2-4-2 digit system. Understanding this system will enable you to identify the spare parts easily.

4. Abbreviations : The following abbreviations are used in this catalogue.

Assly	Assembly	V	Volts
N.I.	Not illustrated	W	Watts
C'case	Crankcase	Accl.	Accelerator
Cyl	Cylinder	Comp.	Complete
O/s	Over size	Fr.	Front
Rr.	Rear	Std.	Standard
L	Length	A/t.	Alternate
R.H.	Right hand	L.H.	Left hand
Hex.	Hexagonal	AR	As required

Plate No.	Description	Page No.
1	Cover Cylinder Head	2
2	SAI System	4
3	Cylinder Head	6
4	Valve	8
5	Camshaft & Tensioner	10
6	Cylinder & Piston	12
7	Crankshaft	14
8	Transmission	16
9	Balancer & Balancer Idler Gear	18
10	Change Drum & Shaft Fork	20
11	Gear Change Mechanism	22
12	Engine Assembly & Crankcase RH	24
13	Crankcase LH	26
14	Cover Clutch	28
15	Cover Magneto	30
16	Clutch Assembly	32
17	Oil Pump Assembly	34
18	Carburettor Assembly	36
19	Silencer Assembly	38
20	Air Cleaner Assembly	40
21	EVAP Mechanism	42
22	Magneto, CDI & H.T. Coil	44
23	Starter Assembly	46
24	Frame and Frame Fittings	48
25	Engine Mountings	50
26	Swing Arm & Rear Shock Absorber	52
27	Rider, Pillion Foot Rest & Step Holder	54
28	Mudguard - Front & Rear	56
29	Center & Side Stand Assembly	58

Plate No.	Description	Page No.
30	Tube / Tyre / Rim	60
31	Front Wheel Assembly	62
32	Front Master Cylinder Assembly	64
33	Front Brake - Caliper & Disc	66
34	Rear Wheel Assembly	68
35	Rear Disc Brake System	70
36	Rear Dist Brake - Master Cylinder & Caliper	72
37	Rear Brake Pedal	74
38	Handle Bar	76 - 78
39	Front Fork	80
40	Fuel Tank, Fuel Cock, Cap Tank & Fuel Gauge	82
41	Fittings Petrol Tank Spoiler, Side Cover & Cover Seat	84
42	Seat Assembly & Seat Lock	86
43	Speedometer Assembly	88
44	Cables	90
45	Leg Guards, Saree Guard & Grab Handle	92
46	Chain Case	94
47	Head Lamp & Fairing	96
48	Indicator Light Assembly	98
49	Tail Lamp Assembly & Front / Rear Number Plate	100
50	Electrical Equipments	102
51	Tool Kit	104
52	Painted Parts & Decals	106 - 108
53	Consumable Parts	111 - 114
	Kit List	115 - 118
	Amended Sheet (Part Added)	119
	Amended Sheet (Part Deleted)	120
	Part Index	121 - 132

Pictorial Index

PLATE NO. : 1
COVER CYLINDER HEAD

PAGE NO.
1

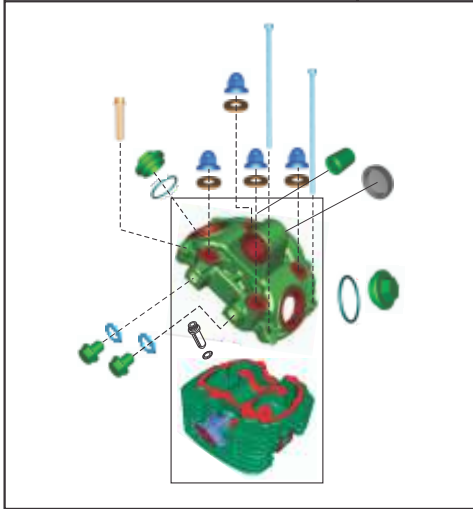


PLATE NO. : 2
SAI SYSTEM

PAGE NO.
3

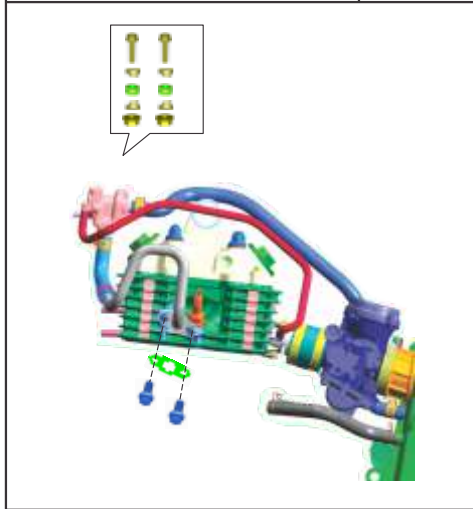


PLATE NO. : 3
CYLINDER HEAD

PAGE NO.
5

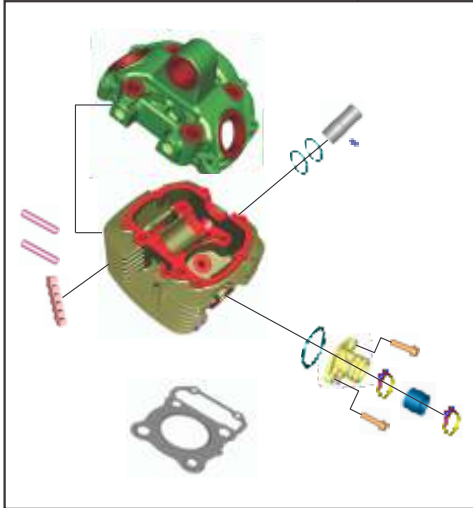
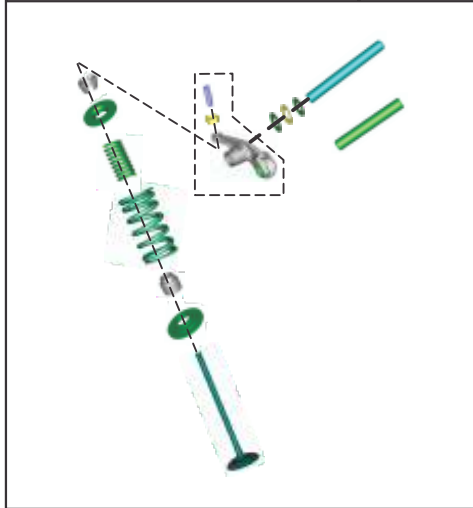


PLATE NO. : 4
VALVE

PAGE NO.
7



Pictorial Index

PLATE NO. : 5
CAMSHAFT TENSIONER

PAGE NO.
9

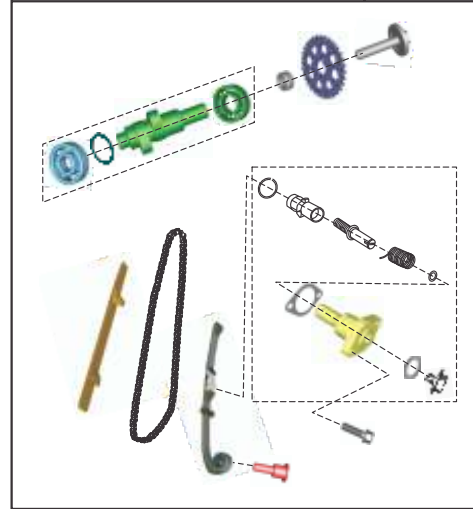


PLATE NO. : 6
CYLINDER & PISTON

PAGE NO.
11

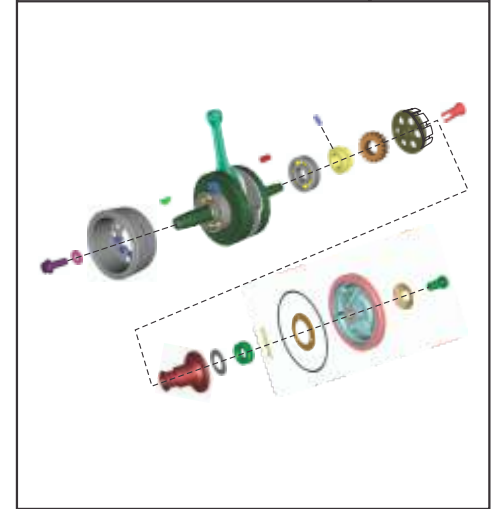


PLATE NO. : 7
CRANKSHAFT

PAGE NO.
13

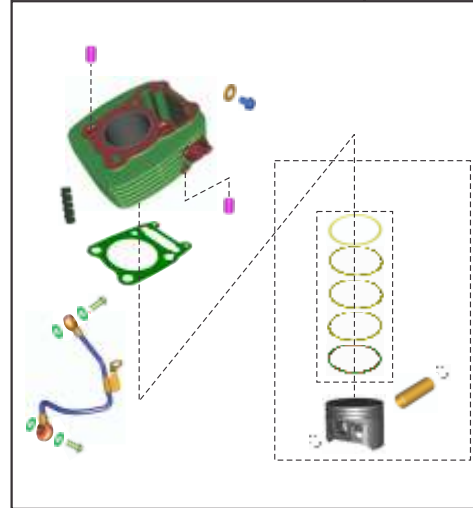
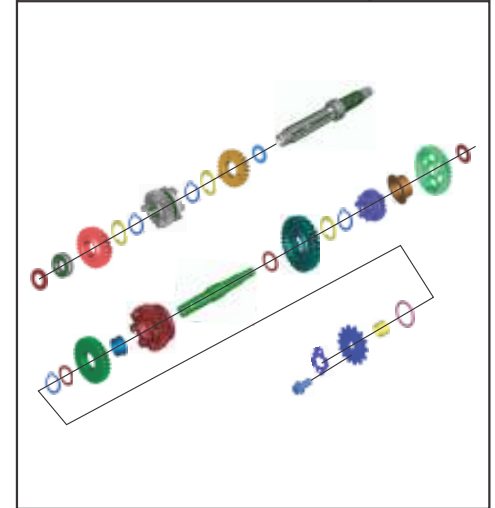


PLATE NO. : 8
TRANSMISSION

PAGE NO.
15



Pictorial Index

PLATE NO. : 9
BALANCER & BALANCER IDLER GEAR

PAGE NO.
17

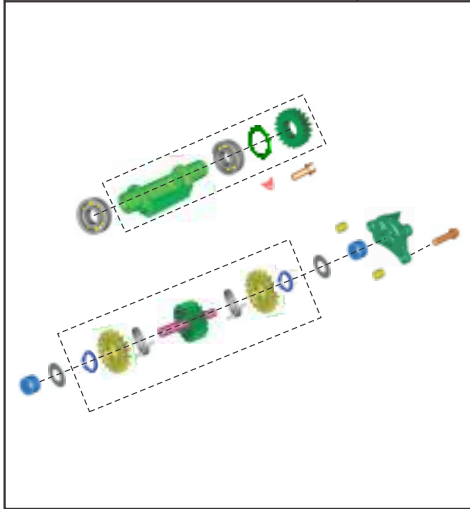


PLATE NO. : 10
CHANGE DRUM & SHAFT FORK

PAGE NO.
19

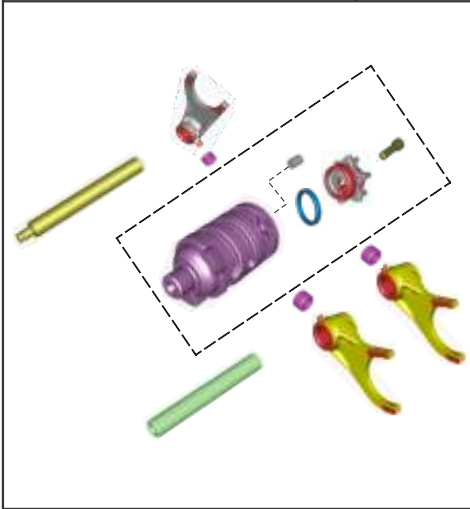


PLATE NO. : 11
GEAR CHANGE MECANISM

PAGE NO.
21

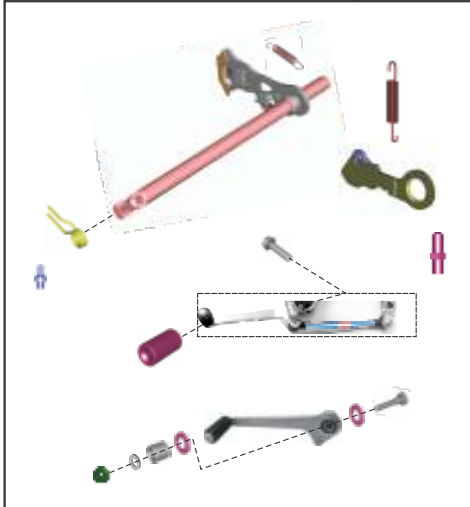
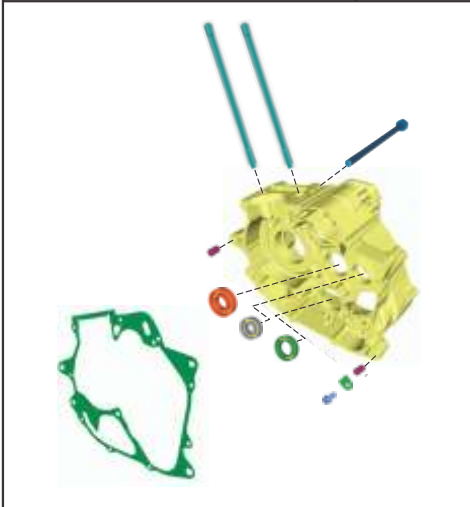


PLATE NO. : 12
ENGINE ASSEMBLY & CRANKCASE RH

PAGE NO.
23



Pictorial Index

PLATE NO. : 13
CRANKCASE LH

PAGE NO.
25

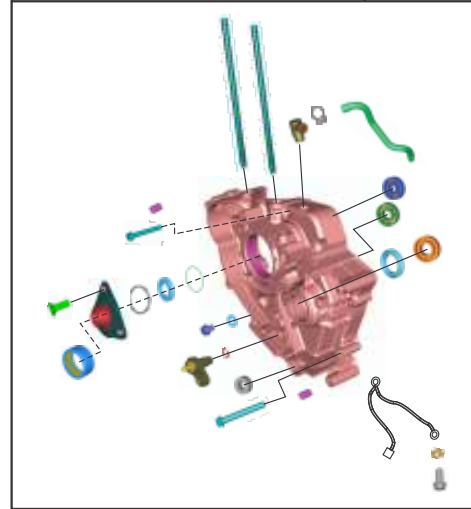


PLATE NO. : 14
COVER CLUTCH

PAGE NO.
27

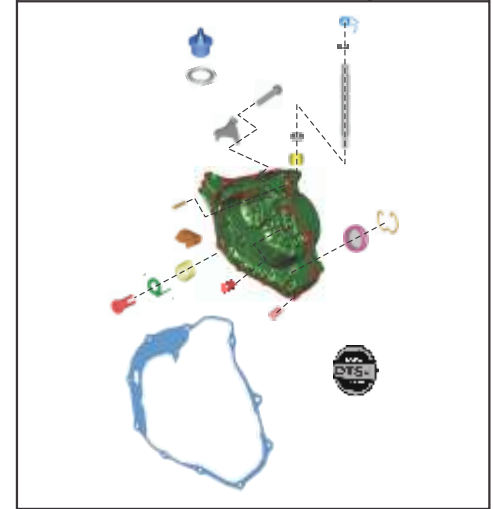


PLATE NO. : 15
COVER MAGNETO

PAGE NO.
29

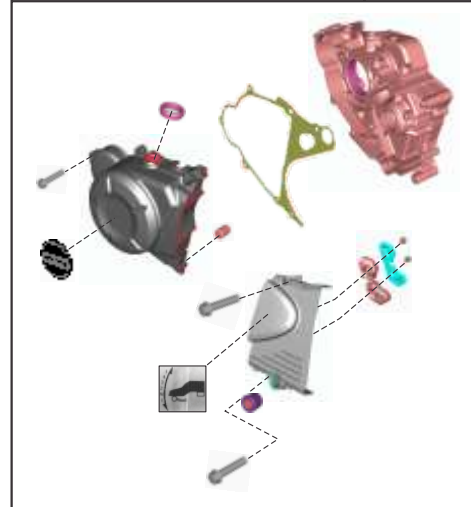
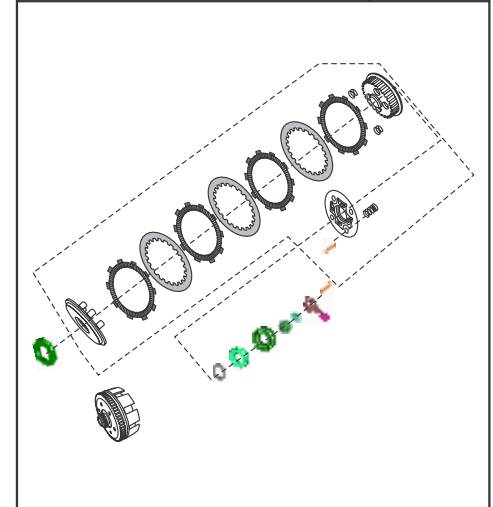


PLATE NO. : 16
CLUTCH ASSEMBLY

PAGE NO.
31



Pictorial Index

PLATE NO. : 17
OIL PUMP ASSEMBLY

PAGE NO.
33

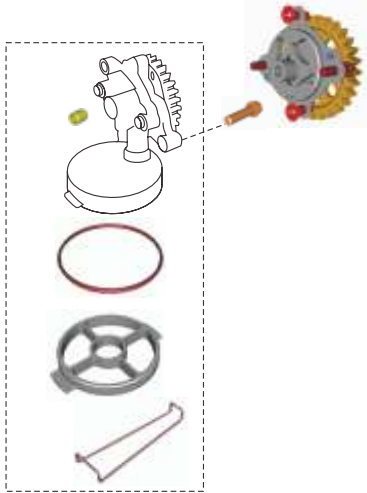


PLATE NO. : 18
CARBURETTOR ASSEMBLY

PAGE NO.
35

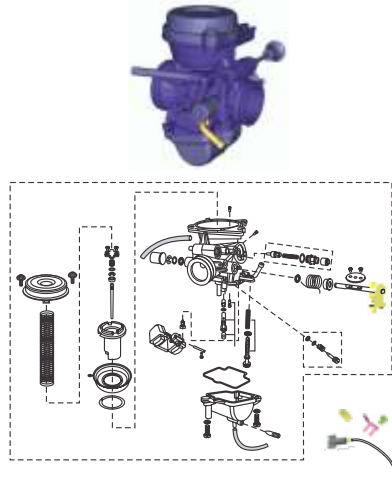


PLATE NO. : 19
SILENCER ASSEMBLY

PAGE NO.
37

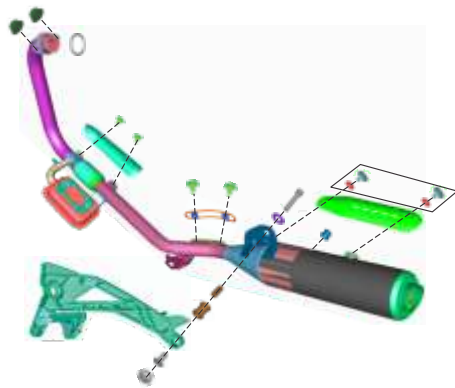
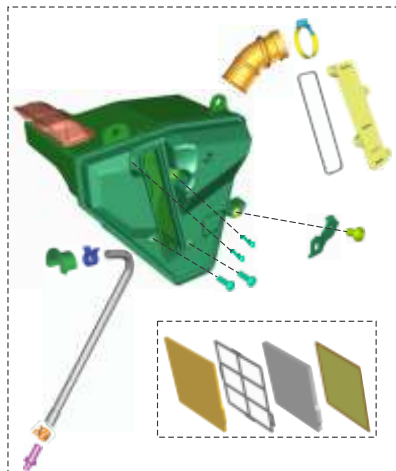


PLATE NO. : 20
AIR CLEANER COMPLETE

PAGE NO.
39



Pictorial Index

PLATE NO. : 21
EVAP MECHANISM

PAGE NO.
41

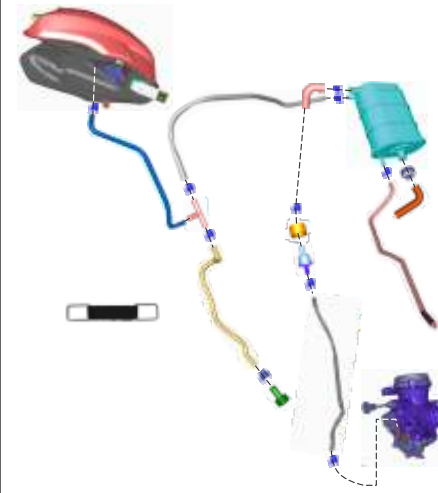


PLATE NO. : 22
MAGNETO, CDI & H.T. COIL

PAGE NO.
43

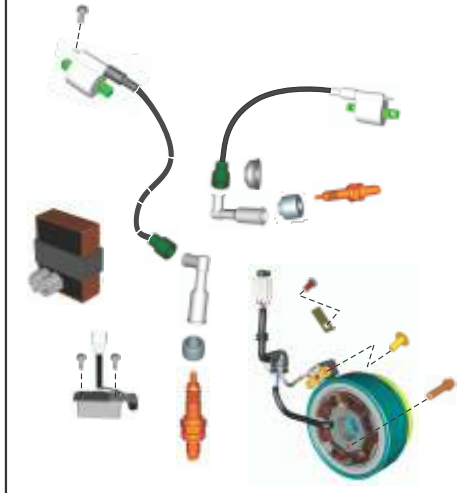


PLATE NO. : 23
STARTER ASSEMBLY

PAGE NO.
45

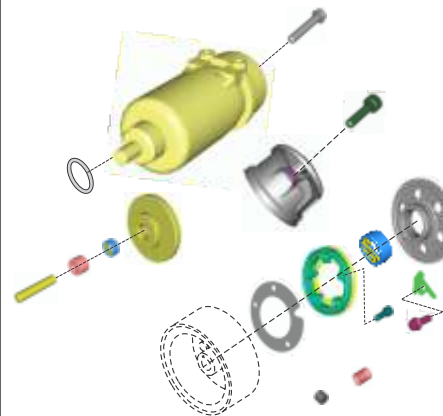
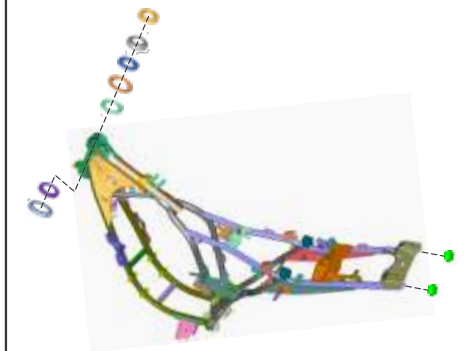


PLATE NO. : 24
FRAME AND FRAME FITTINGS

PAGE NO.
47



Pictorial Index

PLATE NO. : 25
ENGINE MOUNTINGS

PAGE NO.
49

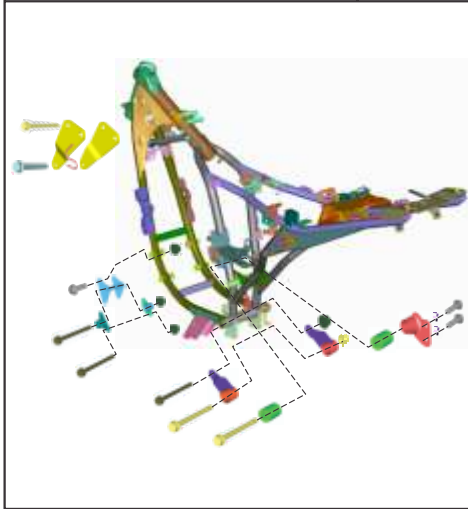


PLATE NO. : 26
SWING ARM &
REAR SHOCK ABSORBER

PAGE NO.
51

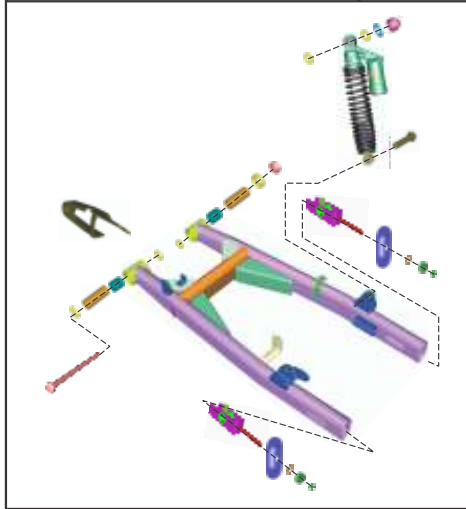


PLATE NO. : 27
RIDER, PILLION FOOT REST &
STEP HOLDER

PAGE NO.
53

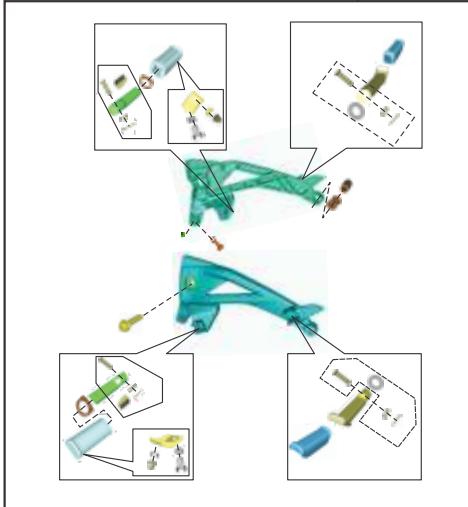
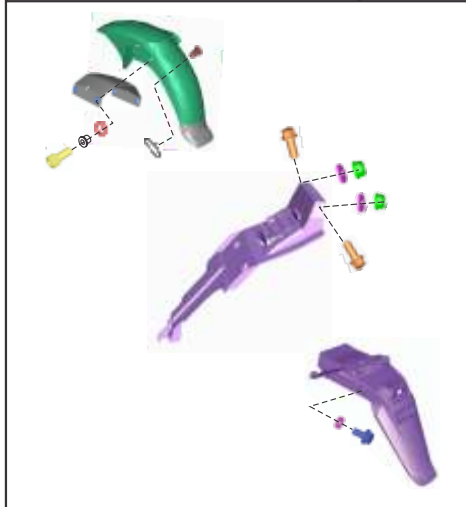


PLATE NO. : 28
MUDGUARD - FRONT & REAR

PAGE NO.
55



Pictorial Index

PLATE NO. : 29
CENTER & SIDE STAND ASSEMBLY

PAGE NO.
57



PLATE NO. : 30
TUBE / TYRE / RIM

PAGE NO.
59



PLATE NO. : 31
FRONT WHEEL ASSEMBLY

PAGE NO.
61

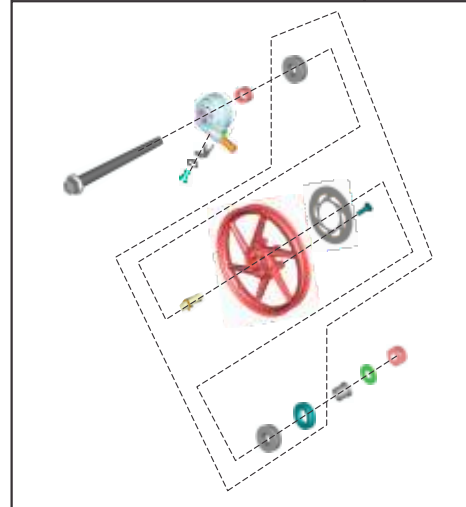
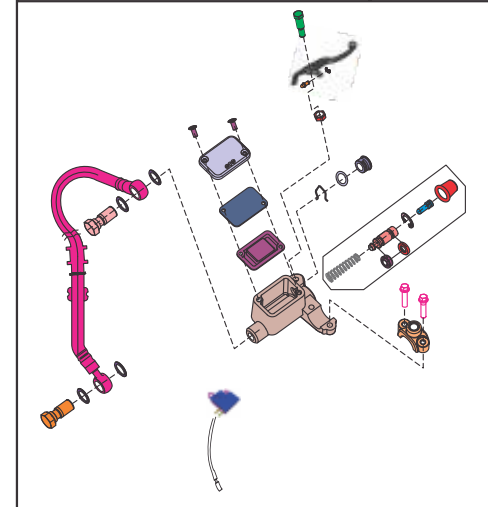


PLATE NO. : 32
FRONT MASTER CYLINDER ASSEMBLY

PAGE NO.
63



Pictorial Index

PLATE NO. : 33
FRONT BRAKE - CALIPER & DISC

PAGE NO.
65

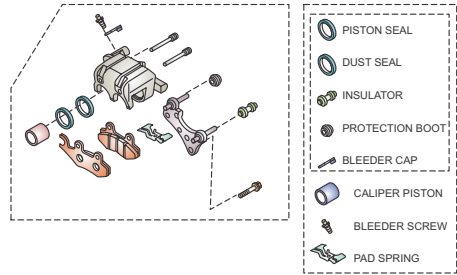


PLATE NO. : 34
REAR WHEEL ASSEMBLY

PAGE NO.
67

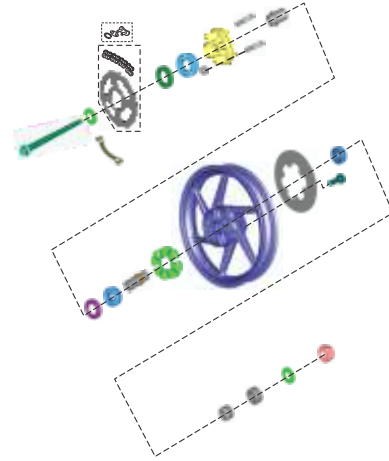


PLATE NO. : 35
REAR DISC BRAKE SYSTEM

PAGE NO.
69

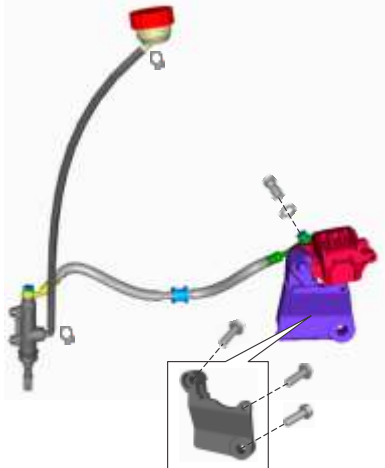
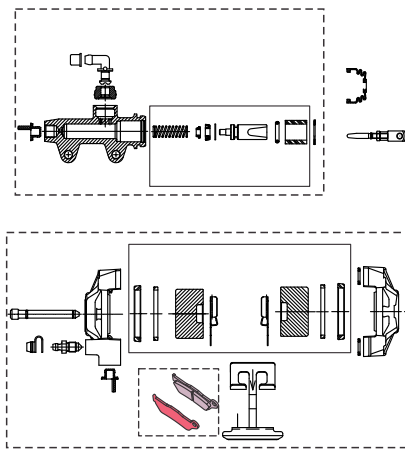


PLATE NO. : 36
REAR DIST BRAKE -
MASTER CYLINDER & CALIPER

PAGE NO.
71



Pictorial Index

PLATE NO. : 37
REAR BRAKE PEDAL

PAGE NO.
73

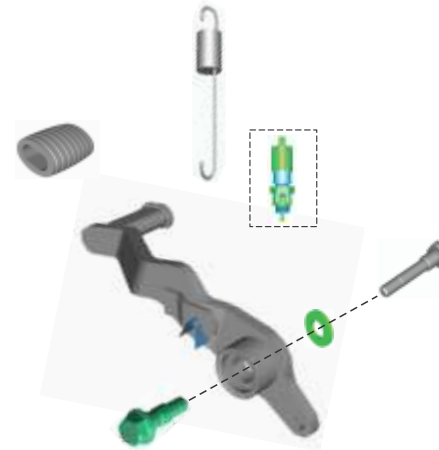


PLATE NO. : 38
HANDLE BAR

PAGE NO.
75 - 77

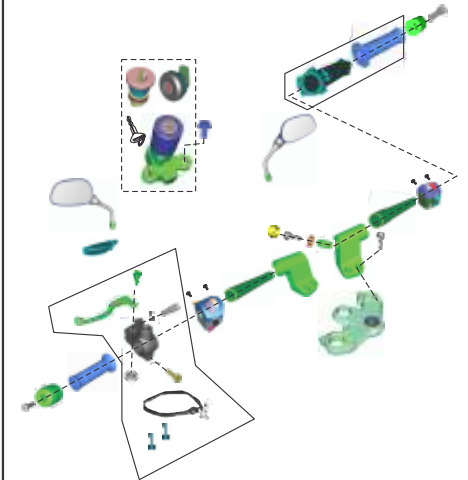


PLATE NO. : 39
FRONT FORK

PAGE NO.
79

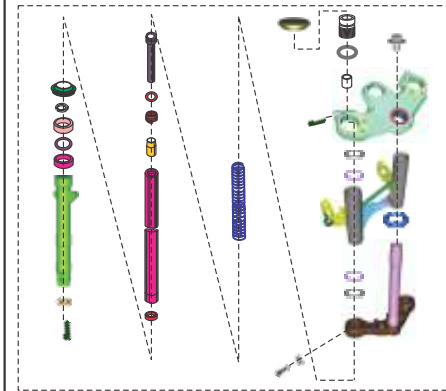
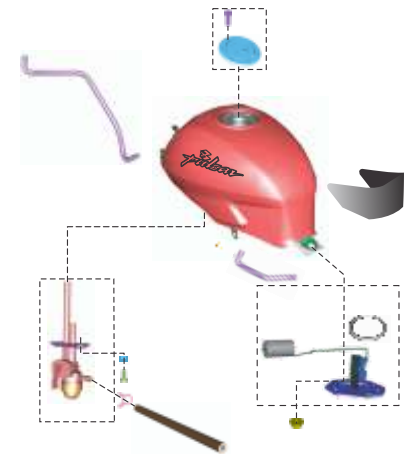


PLATE NO. : 40
FUEL TANK, FUEL COCK, CAP TANK &
FUEL GAUGE

PAGE NO.
81



Pictorial Index

PLATE NO. : 41
FITTINGS PETROL TANK SPOILER,
SIDE COVER & COVER SEAT

PAGE NO.
83

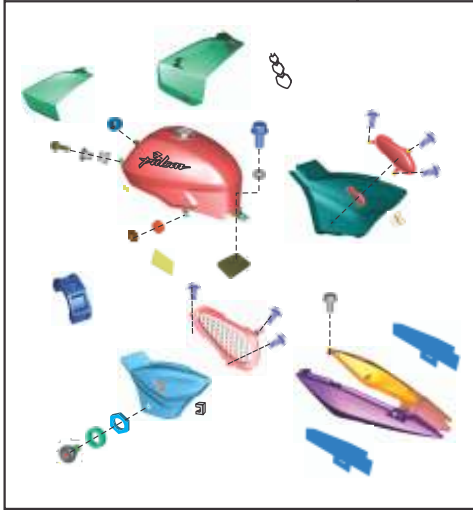


PLATE NO. : 42
SEAT ASSEMBLY & SEAT LOCK

PAGE NO.
85

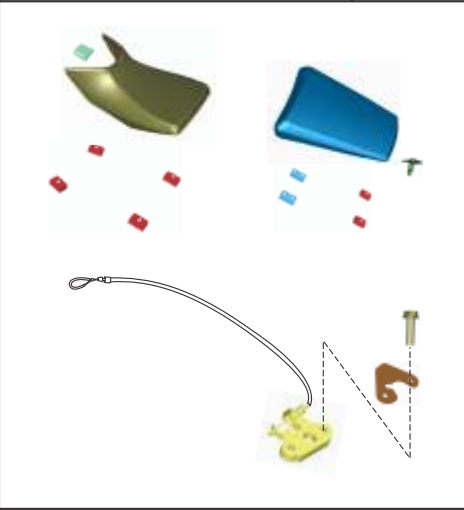


PLATE NO. : 43
SPEEDOMETER ASSEMBLY

PAGE NO.
87



PLATE NO. : 44
CABLES

PAGE NO.
89



Pictorial Index

PLATE NO. : 45
LEG GUARDS, SAREE GUARD &
GRAB HANDLE

PAGE NO.
91

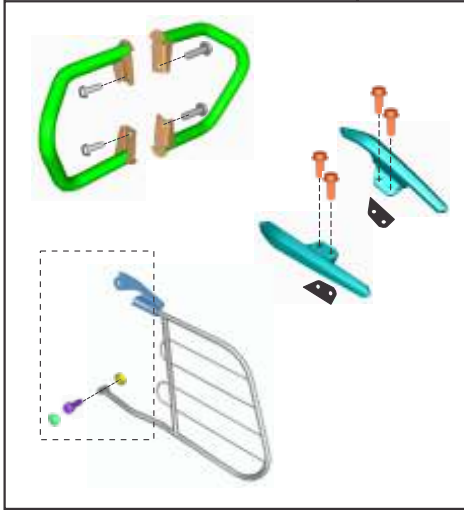


PLATE NO. : 46
CHAIN CASE

PAGE NO.
93

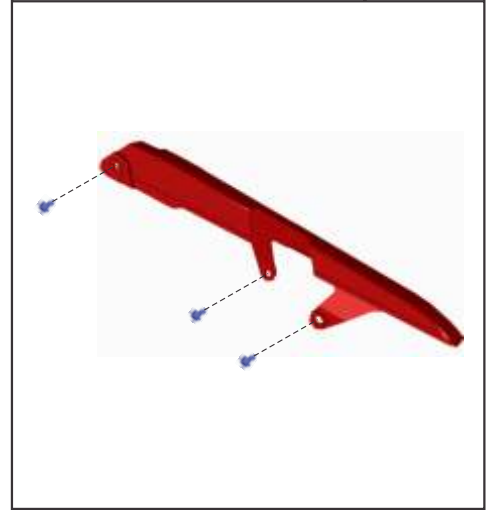


PLATE NO. : 47
HEAD LAMP & FAIRING

PAGE NO.
95

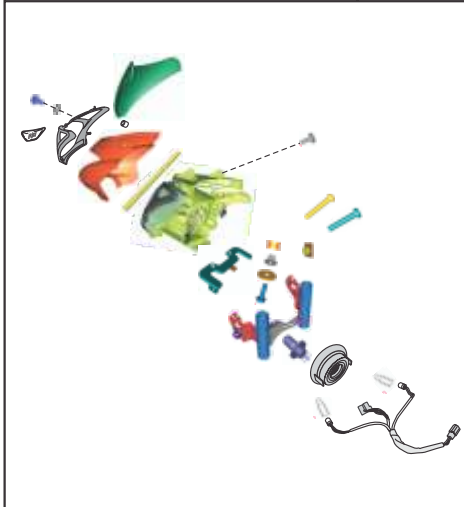
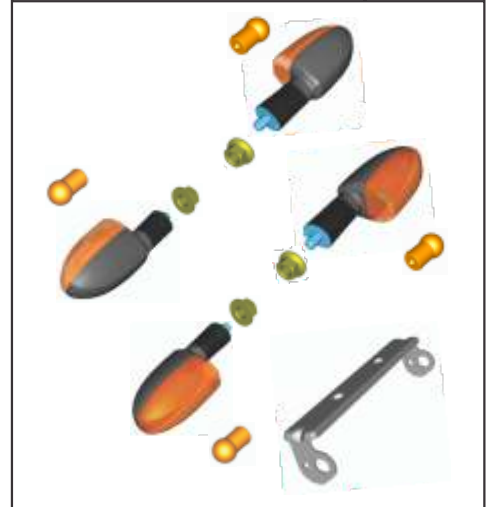


PLATE NO. : 48
INDICATOR LIGHT ASSEMBLY

PAGE NO.
97



Pictorial Index

PLATE NO. : 49
TAIL LAMP ASSEMBLY & FRONT /
REAR NUMBER PLATE

PAGE NO.
99

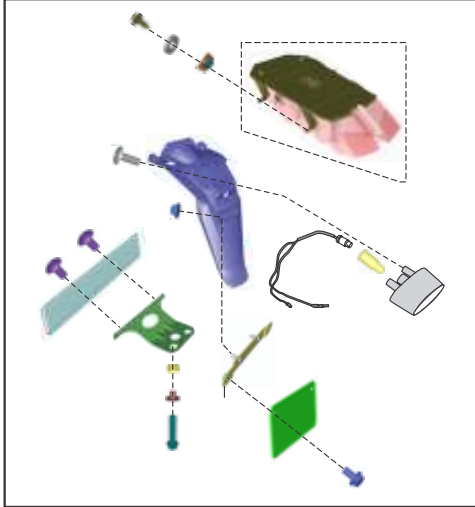


PLATE NO. : 50
ELECTRICAL EQUIPMENTS

PAGE NO.
101

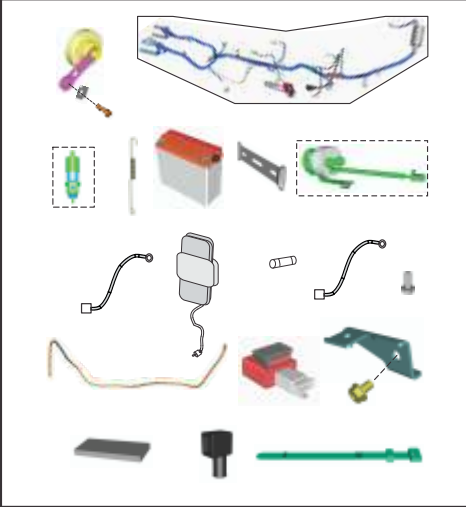


PLATE NO. : 51
TOOL KIT

PAGE NO.
103



PLATE NO. : 52
PAINTED PARTS & DECALS

PAGE NO.
105 - 107



Pictorial Index

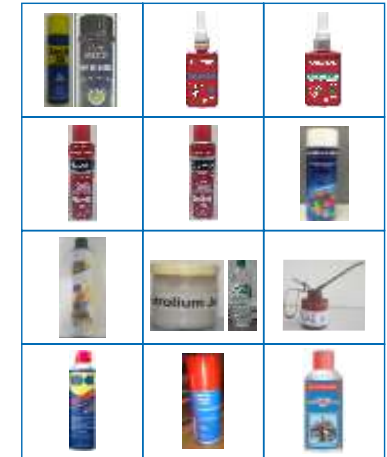
PLATE NO. : 53
CONSUMABLE PARTS

PAGE NO.
111

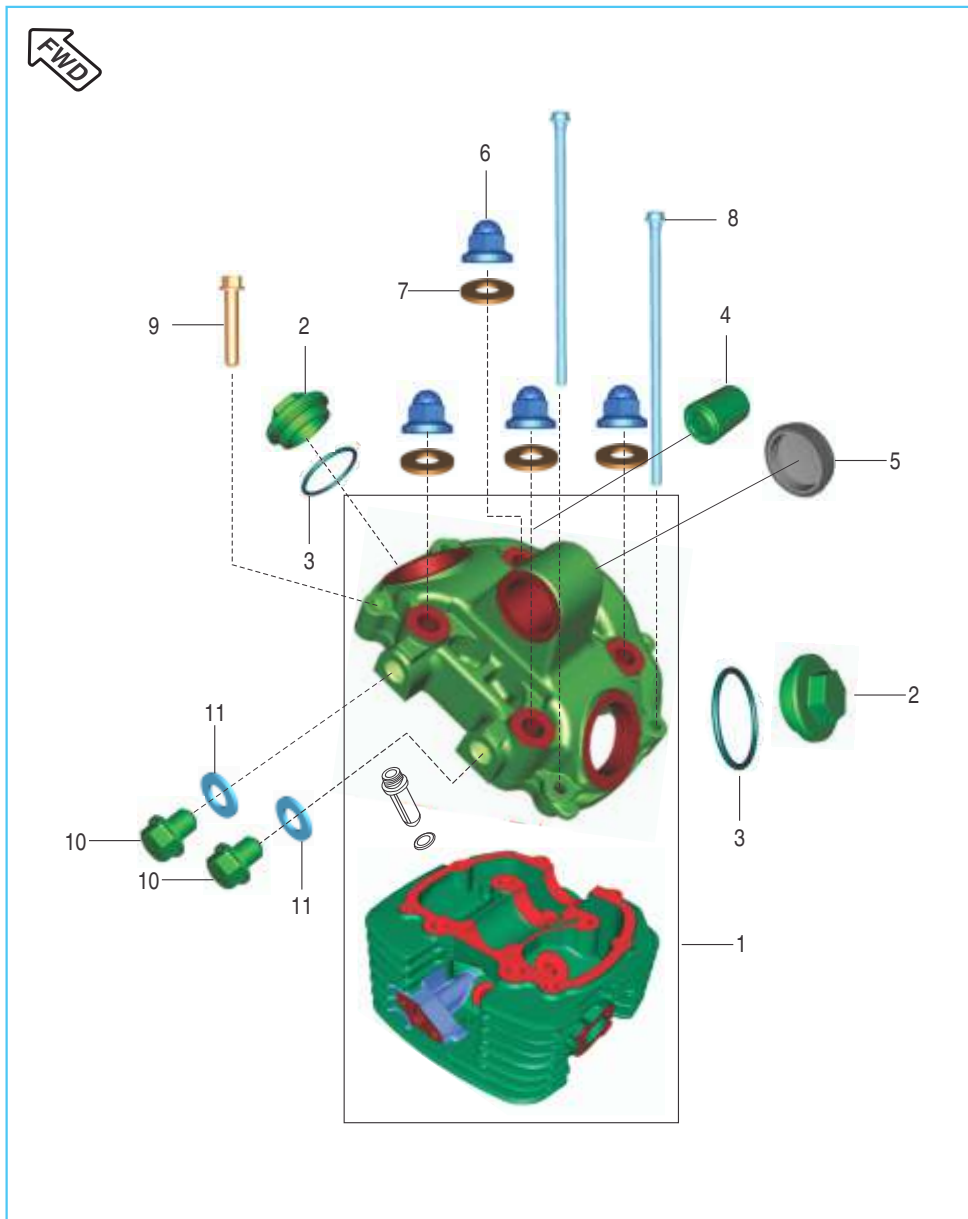


PLATE NO. : 53
CONSUMABLE PARTS

PAGE NO.
113

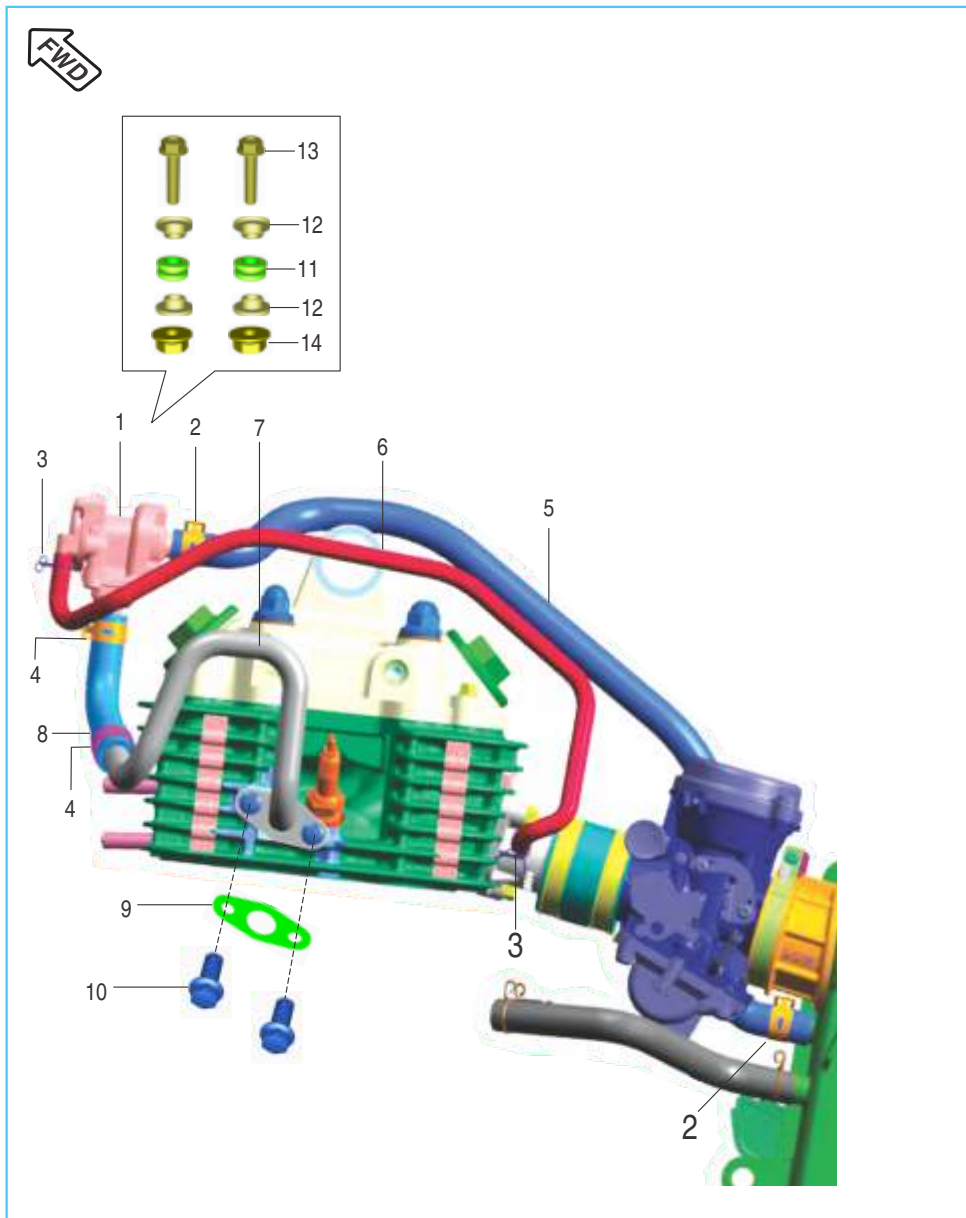


Cover Cylinder Head



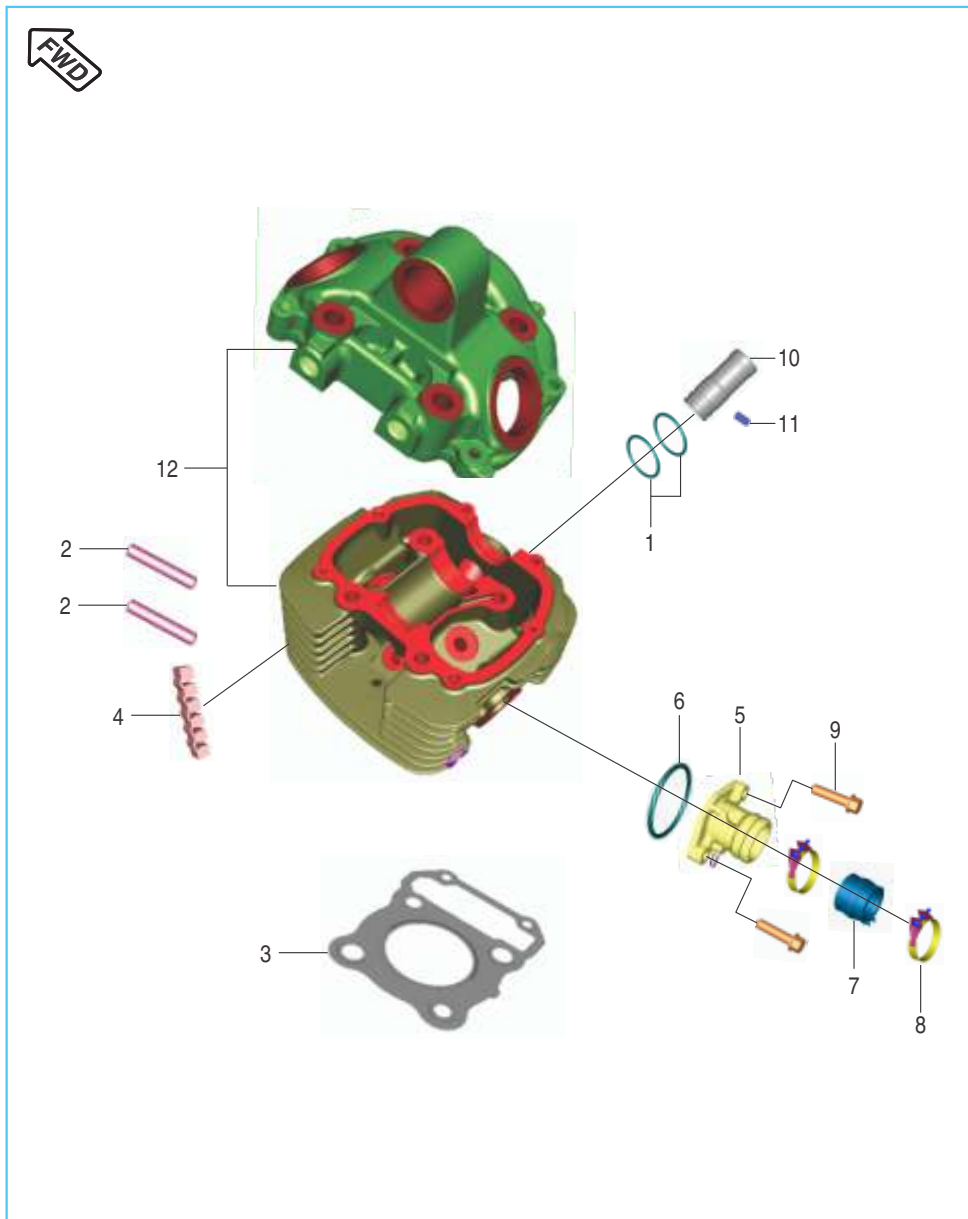
No.	Part No.	Description	Qty.	Remarks
1	DJ 1017 11	Assembly Head Mach. With Cover	1	
2	DJ 1012 17	Cover Tappet	2	
3	39 2391 21	'O' Ring	2	
4	DS 1011 66	Silent Bush	1	
5	DH 1022 01	Camshaft Cap	1	
6	39 2647 15	Domed Cap Nut	4	
7	DS 1010 84	Copper Washer	4	
8	39 2532 04	Hex. Bolt with Flange	2	
9	39 1075 04	Hex. Bolt / Flange	4	
10	DH 1012 72	Plug	2	
11	DG 1014 98	Gasket	2	

SAI System



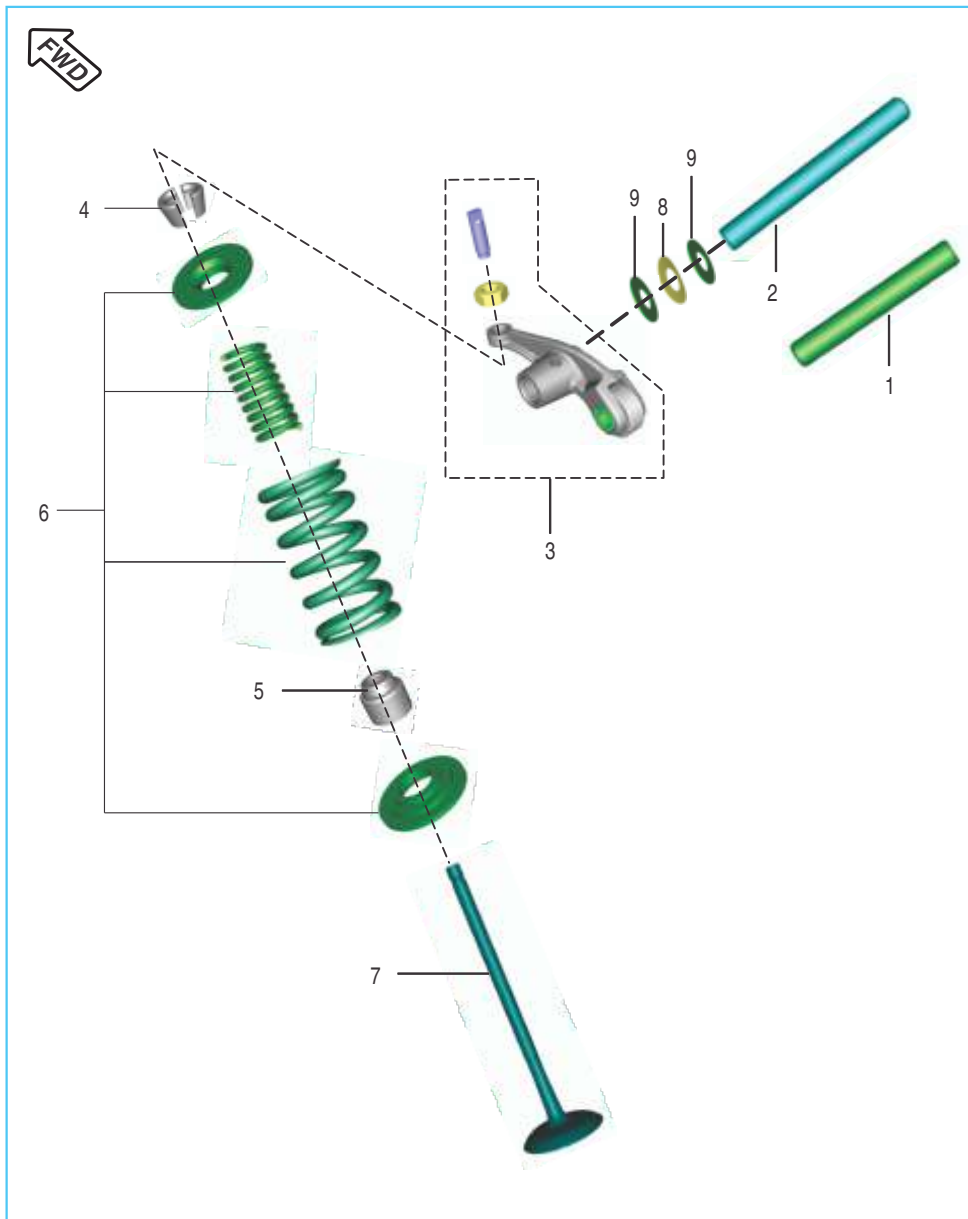
No.	Part No.	Description	Qty.	Remarks
1	PD 5822 00	SAI Unit	1	
2	JL 5810 66	Clamp SAI Pipe	2	
3	33 1410 08	Clamp	2	
4	JL 5810 65	Clamp Hose SAI	2	
5	DJ 1210 89	Tube SAI Air Filter	1	
6	DK 1210 91	Hose SAI Unit To Manifold	1	
7	DH 1021 74	Metal Pipe With Flange SAI	1	
8	DH 1021 75	Hose SAI Unit To SAI Pipe	1	
9	DH 1021 80	Gasket Metal Pipe With Flange SAI	1	
10	KA EG06 14	Flanged Bolt	2	
11	JD 1138 14	Grommet SAI Unit	2	
12	JD 1138 15	Sleeve SAI Unit	4	
13	KA DF06 30	Bolt Flanged	2	
14	KC GF06 06	Nut Hex Flanged - M6 x 1 x CL 8 x Green	2	

Cylinder Head



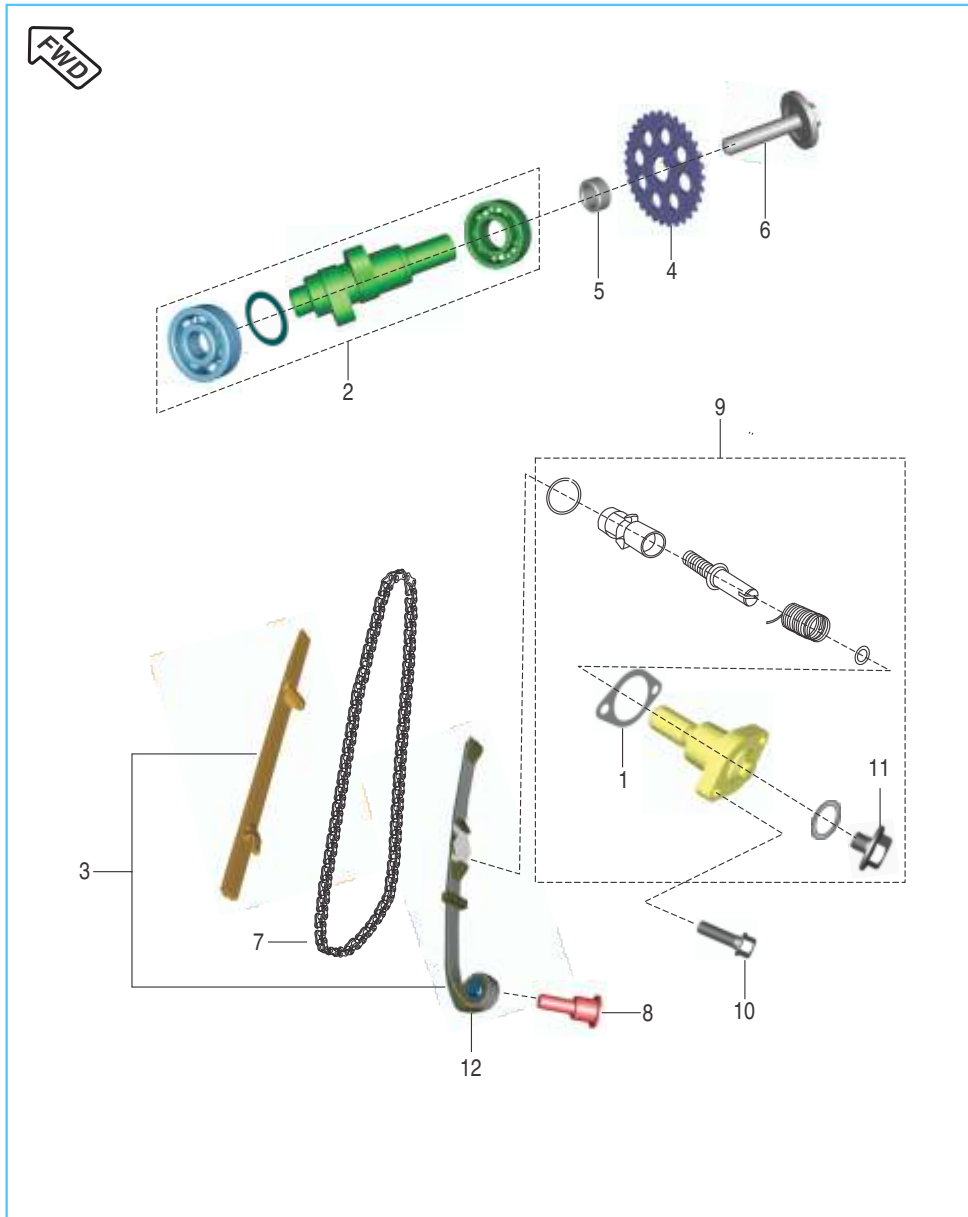
No.	Part No.	Description	Qty.	Remarks
1	36 DS10 01	'O' Ring Kit for Cover Cyl. Head	1	Refer Kit List
2	39 1660 05	Stud (Exhaust)	2	
3	DJ 1010 12	Gasket Cylinder Head	1	
4	DH 1015 08	Damper Cylinder Head	5	
5	DJ 1210 90	Assembly Manifold With Nipple	1	
6	39 2539 21	'O' Ring (Intake Pipe)	1	
7	DJ 1210 22	Carburettor Insulator	1	
8	DH 1210 38	Clamp for Insulator	2	
9	39 1674 04	Hex. Bolt / Flange	2	
10	DH 1110 12	Sleeve - Spark Plug	1	
11	39 2608 01	Grub Screw	1	
12	DJ 1017 11	Assembly Head Mach. With Cover	1	

Valve



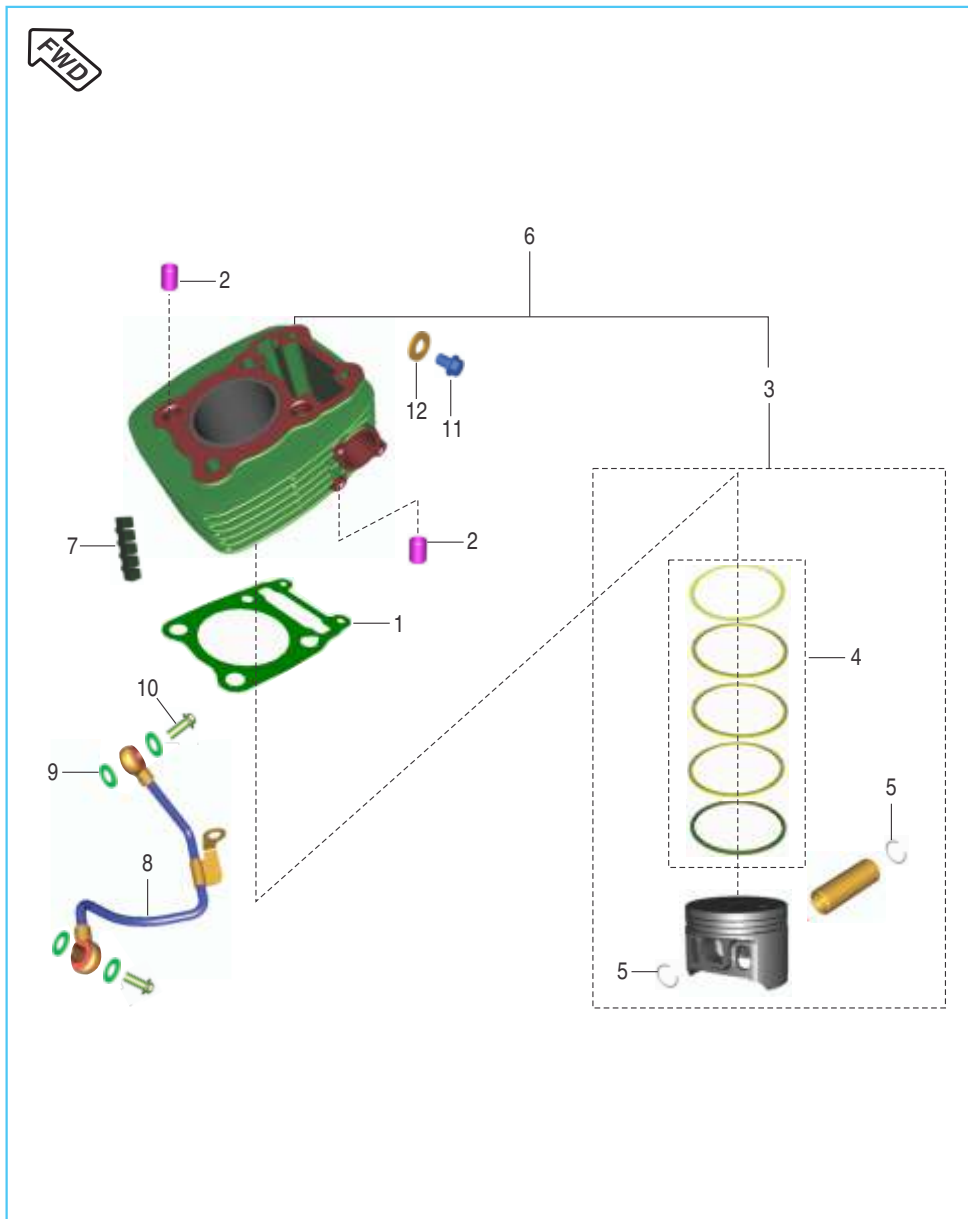
No.	Part No.	Description	Qty.	Remarks
1	DK 1017 48	Rocker Arm Shaft - Intake	1	
2	DK 1017 51	Rocker Arm Shaft - Exhaust	1	
3	DK 1017 55	Rocker Arm without roller	2	
4	DG 1010 29	Cotter valve	4	
5	39 2017 19	Seal valve stem	2	
6	DK 1013 26	Valve Repair Kit	1	Refer Kit List
7	36 DJ10 04	Valve Kit	1	Refer Kit List
8	DH 1012 95	Wave washer	2	
9	39 2440 11	Plain washer	4	

Camshaft & Tensioner



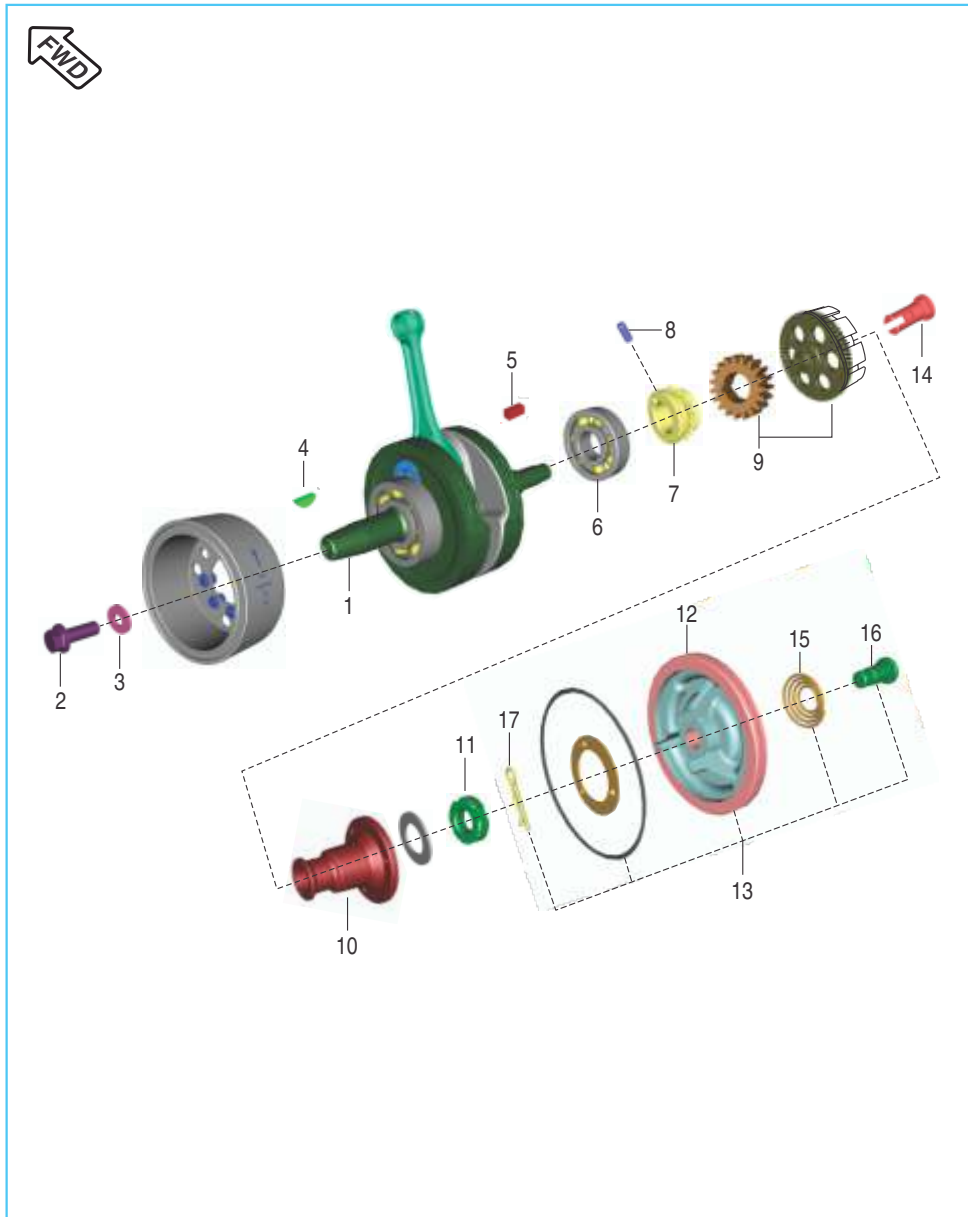
No.	Part No.	Description	Qty.	Remarks
1	CS 1011 28	Gasket Tensioner Assembly	1	
2	DJ 1013 73	Camshaft Assembly With Bearings	1	
3	36 DH40 30	Guide Chain Kit	1	
4	PD 5112 29	Sprocket Cam Driver	1	
5	DH 1014 12	Collar Cam Sprocket	1	
6	DH 1021 25	Bolt Special Camshaft	1	
7	JC 1010 35	Cam Chain	1	
8	DH 1013 92	Cam Chain Tensioner Pivot Bolt	1	
9	JC 1010 34	Tensioner Assembly	1	
10	39 1673 04	Hex Bolt / Flange	2	
11	DD 1010 62	Bolt	1	
12	DK 1010 59	Guide Chain (Slack)	1	

Cylinder and Piston



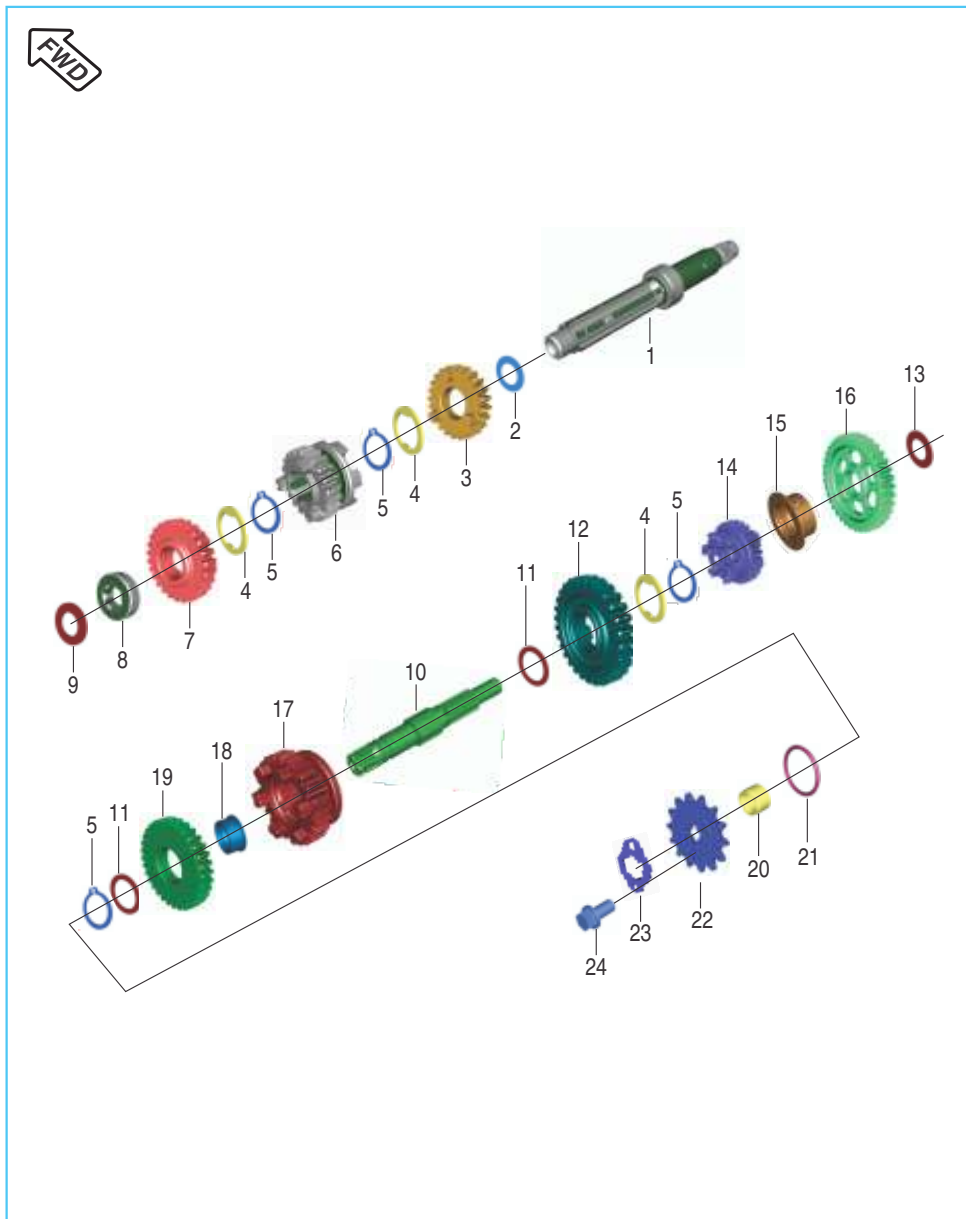
No.	Part No.	Description	Qty.	Remarks
1	DJ 1010 04	Gasket Cylinder	1	
2	39 2181 06	Pin Dowel	4	
3	DJ 1011 58	Piston Assembly Std.	1	
4	DK 1810 12	Ring Set Piston	1	
5	39 2132 17	Ring Snap	2	
6	DJ 1013 71	Cylinder Block & Piston	1	
7	DH 1014 14	Damper Cylinder Block	4	
8	DK 1015 92	Assembly Oil Pipe	1	
9	31 1210 06	Gasket	4	
10	DD 1210 07	Bolt	2	
11	39 1689 04	Bolt (dummy for Temp sensor)	1	
12	39 2448 11	Washer (dummy for Temp sensor)	1	

Crankshaft



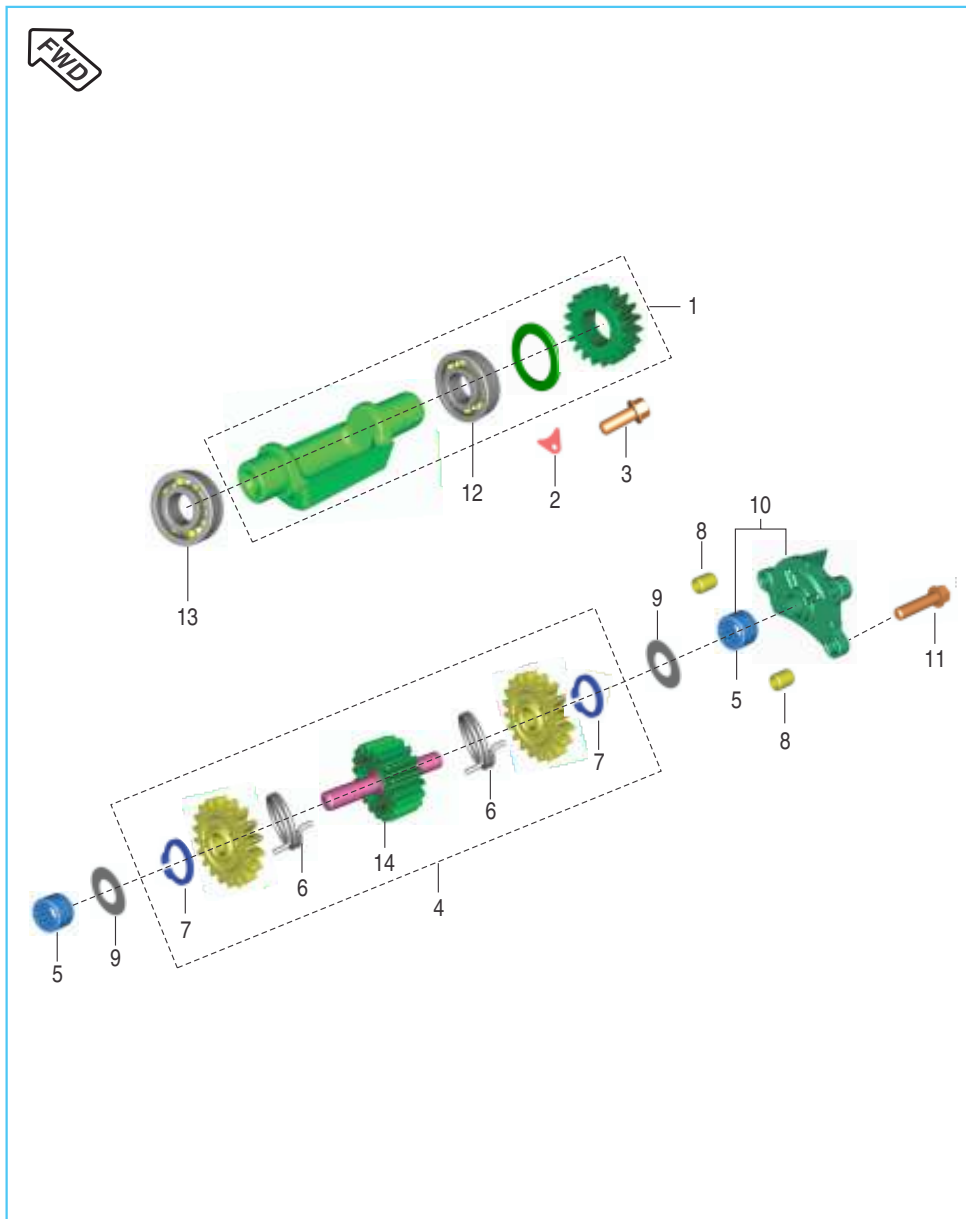
No.	Part No.	Description	Qty.	Remarks
1	JC 1010 01	Crankshaft Assembly Complete	1	
2	DH 1013 96	Bolt	1	
3	39 2165 11	Plain Washer	1	
4	31 1011 73	Key Woodruff	1	
5	DS 1011 54	Square Key	1	
6	39 1931 20	Bearing Ball	1	
7	PD 5310 29	Sprocket Crankshaft	1	
8	39 2203 07	Parallel Pin	1	
9	36 DK00 38	Set Primary Driver & Driven	1	Refer Kit List
10	DH 1021 51	Body Centrifugal Oil Filter	1	
11	DH 1011 95	Nut	1	7mm. (Height) Z
12	DH 1021 53	Cover Centrifugal Oil Filter	1	
13	36 DH40 19	Kit Centrifugal Oil Filter	1	Refer Kit List
14	DK 1014 80	Oil plunger	1	
15	DH 1010 67	Spring Oil Delivery B	1	
16	DH 1010 66	Joint Oil Delivery B	1	
17	39 2199 08	Pin Snap	1	

Transmission



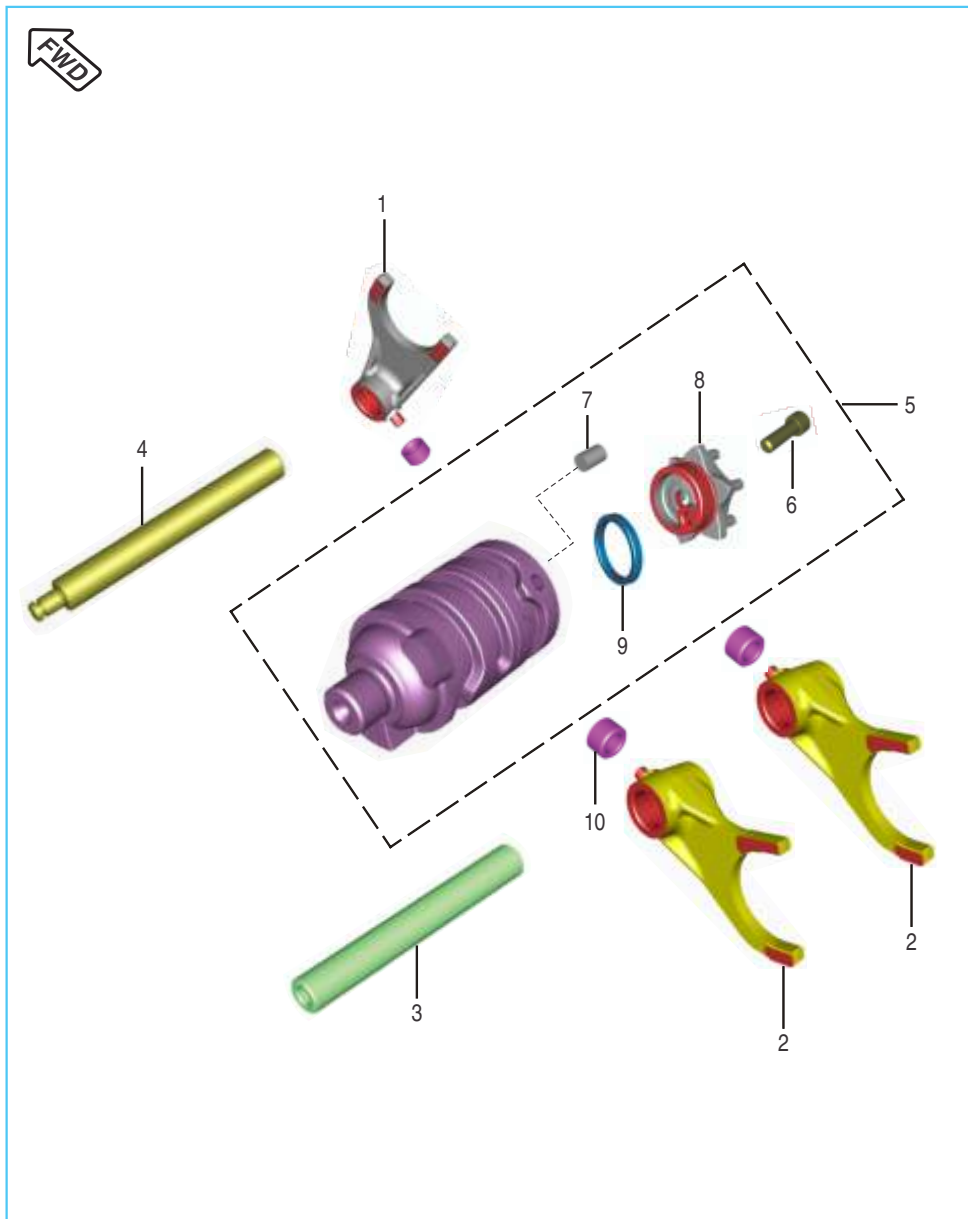
No.	Part No.	Description	Qty.	Remarks
1	DK 1014 71	Shaft Input Transmission	1	
2	39 2158 11	Plain Washer	1	
3	DK 1011 03	Gear 4th Drive	1	
4	DH 1010 79	Washer Spline	3	
5	DH 1012 35	External Circlip	4	
6	DK 1011 02	Gear 3rd Drive	1	
7	DK 1011 04	Gear 5th drive	1	
8	DH 1010 84	Gear 2nd Drive	1	
9	39 2160 11	Plain Washer	1	
10	DK 1011 44	Shaft Output Transmission	1	
11	39 2166 11	Washer Plain	2	
12	DK 1011 05	Gear 3rd Driven	1	
13	39 2159 11	Plain Washer	1	
14	DK 1017 18	Gear 4th Driven	1	
15	DH 1011 11	Bush 1st Driven	1	
16	DK 1011 18	Gear 1st driven	1	
17	DK 1016 61	Gear 5th Driven	1	
18	DH 1013 19	Bush 2nd Driven	1	
19	DK 1016 60	Gear 2nd Driven	1	
20	DK 1012 45	Collar Sprocket	1	
21	DK 1013 52	'O' Ring Sprocket Coller	1	
22	DV 1010 48	Sprocket Drive	1	
23	DJ 1010 63	Plate Drive Sproket	1	
24	AA 1014 37	Screw Pre - Coated	2	

Balancer & Balancer Idler Gear



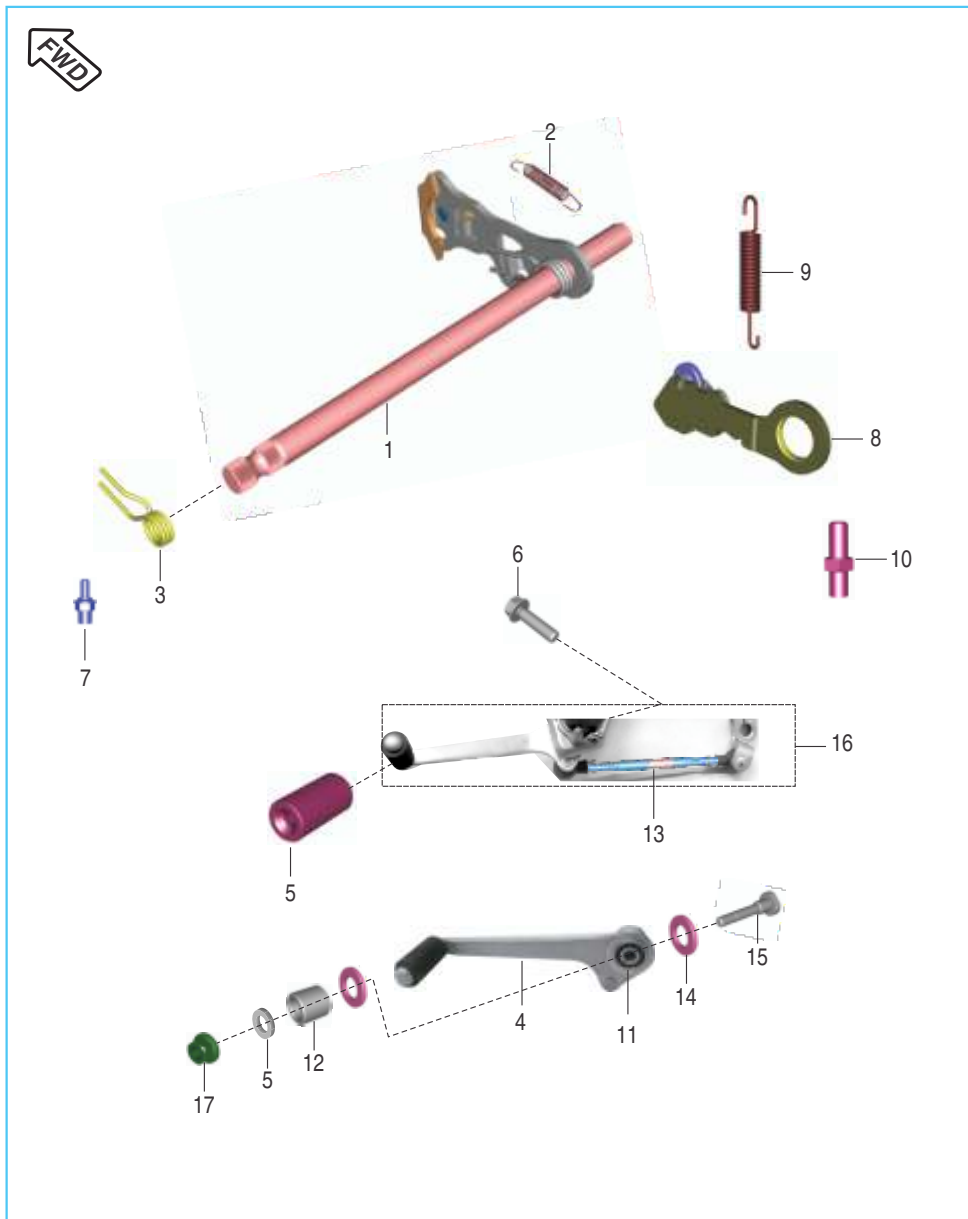
No.	Part No.	Description	Qty.	Remarks
1	DJ 9025 03	Body Balancer Assembly	1	
2	DH 1010 72	Bearing Stopper	1	
3	39 1672 04	Bolt	1	
4	DH 1020 52	Assembly Balancer Idler Gear Complete	1	
5	39 2152 20	Needle Roller Bearing	2	
6	DH 1014 24	Spring Torsion Balancer	2	
7	39 2557 17	Circlip Ext.	2	
8	39 1686 06	Dowel Pin	2	
9	39 1620 11	Thrust Washer	2	
10	52 DH01 77	Balancer Idler Holder	1	
11	39 1674 04	Bolt	3	
12	59 2000 29	Bearing Ball Balancer LH 20*47*14 (6204)	1	
13	59 2000 28	Bearing Ball Balancer RH	1	
14	DH 1020 52	Assembly Balancer Idler Gear	1	

Change Drum & Shaft Fork



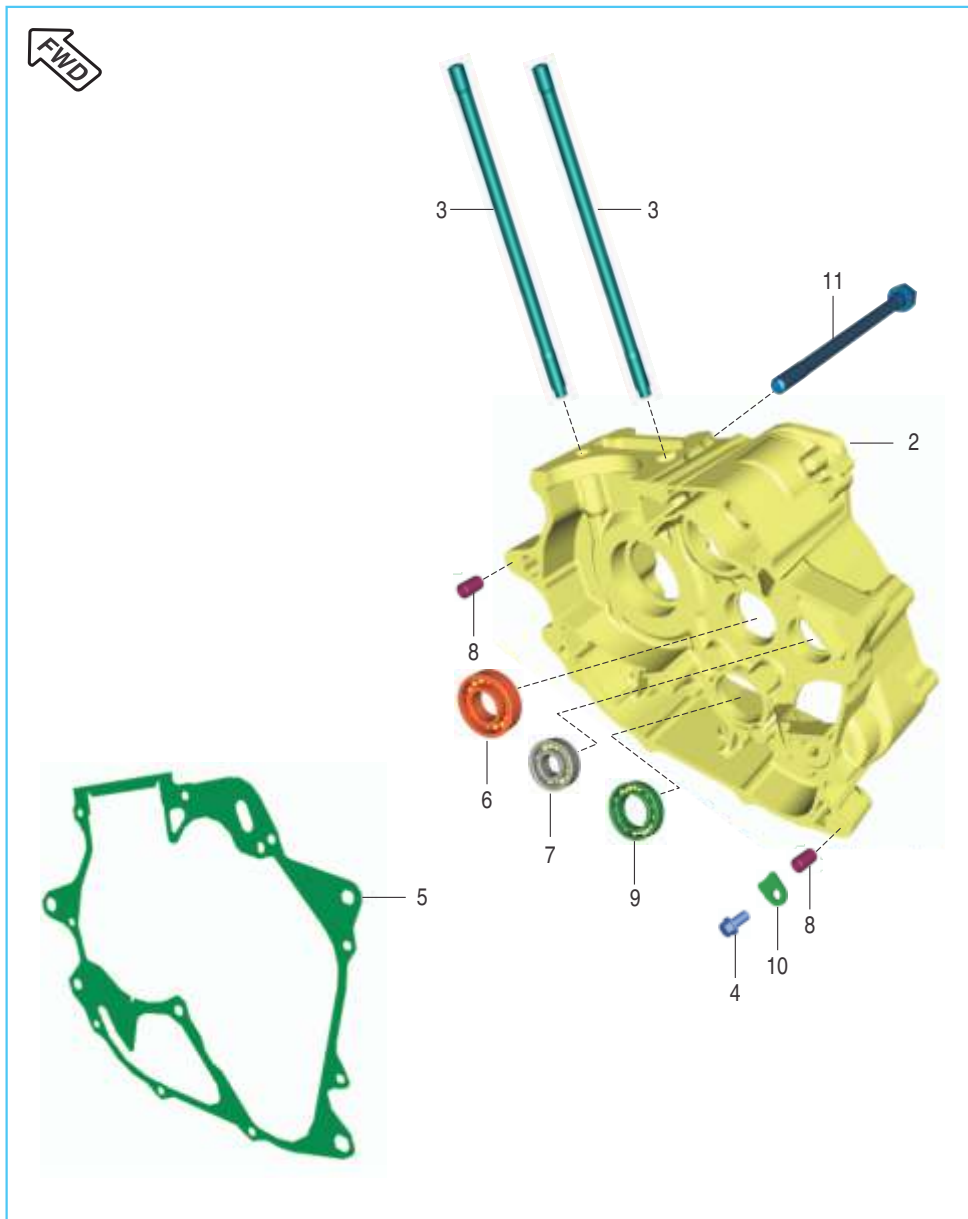
No.	Part No.	Description	Qty.	Remarks
1	DK 1011 59	Fork Gear Shift Input	1	
2	DK 1011 60	Fork Gear Shift output	2	
3	DH 1011 46	Shaft Gear Shift Fork	1	
4	DH 1014 93	Shaft Gear Shift Fork	1	
5	DK 1017 32	Drum Complete Gear Shift	1	
6	39 2639 04	Bolt Socket	1	
7	39 2606 07	Parallel Pin	1	
8	DH 1021 89	Guide Gear Shifter	1	
9	DH 1014 96	Spacer	1	
10	DK 1011 35	Bush Fork Gear Shift	3	

Gear Change Mechanism



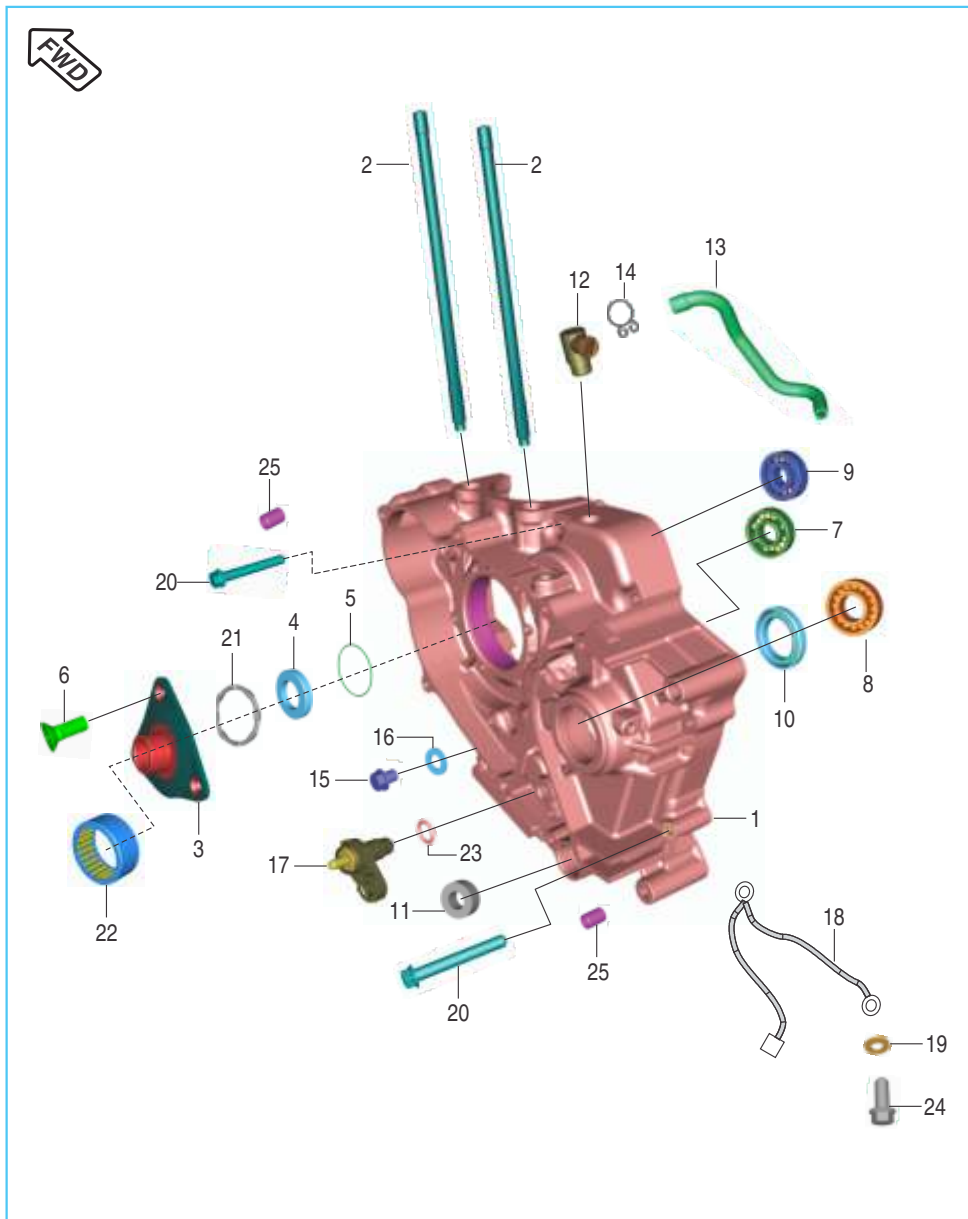
No.	Part No.	Description	Qty.	Remarks
1	DK 1017 22	Lever comp. Gear Shifter	1	
2	DH 1017 14	Spring Slider Arm Reset	1	
3	DK 1017 22	Spring Gear Shifter Return	1	
4	DK 1011 82	Lever gear shift	1	
5	DH 1015 09	Damper	1	
6	39 2453 04	Flanged Bolt	1	
7	DH 1013 93	Bolt Gear Shift drum Stopper	1	
8	DK 1017 25	Stopper Drum	1	
9	DK 1012 53	Spring Gear Shifter Drum Stopper	1	
10	DH 1013 94	Bolt Shift Change	1	
11	39 1998 19	Oil seal	2	
12	DK 1011 87	Collar	1	
13	DK 1011 80	Assembly tie rod	1	
14	DK 1011 85	Washer pivot	1	
15	DK 1011 86	Pivot bolt	1	
16	DK 1011 83	Assembly lever change arm	1	
17	39 2383 15	Flange Nut	1	

Engine Assembly & Crankcase RH



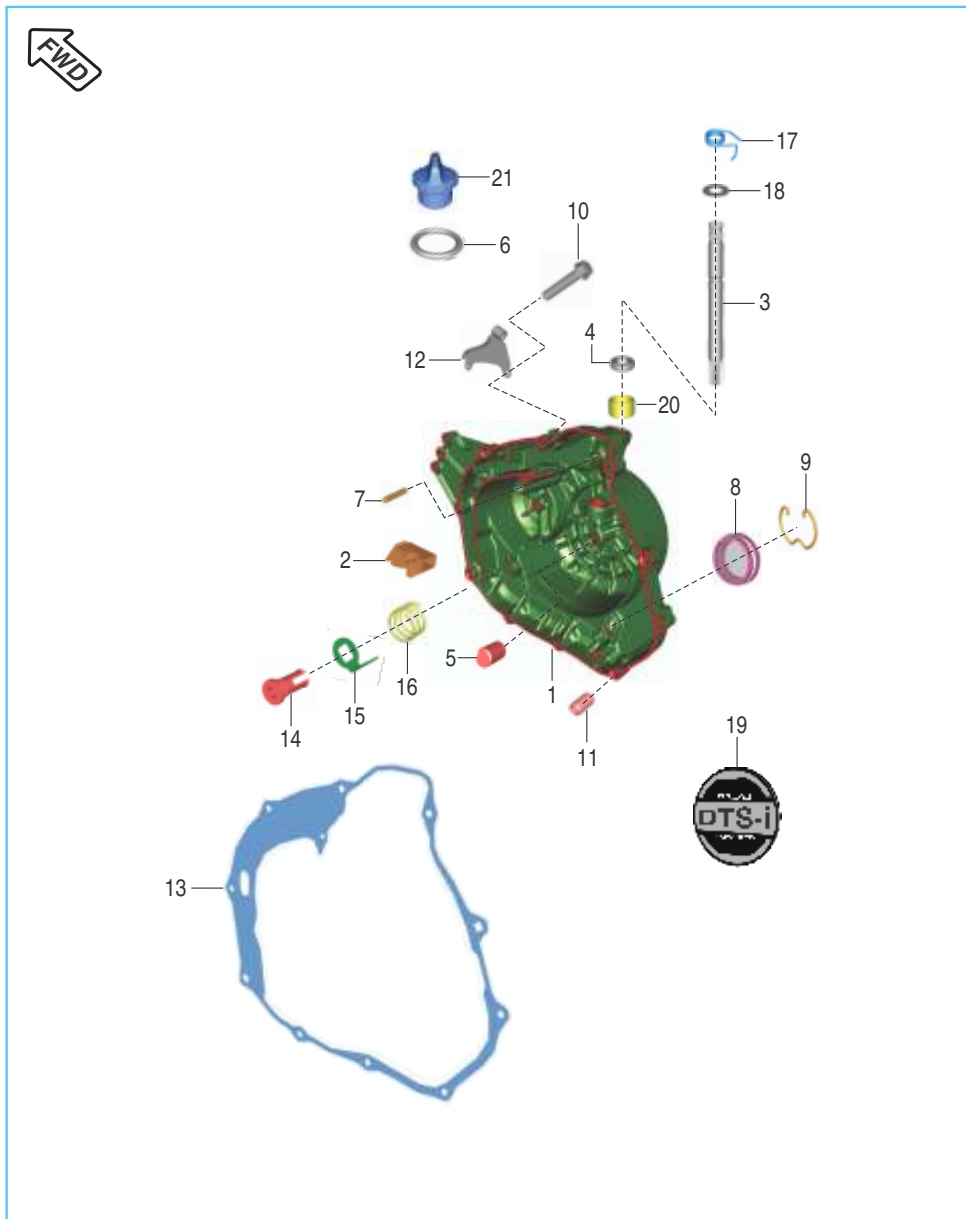
No.	Part No.	Description	Qty.	Remarks
1	DJ 1017 12	Engine Assly Complete	1	N.I.
2	JC 1010 29	Crankcase RH	1	
3	59 0500 08	Stud	2	
4	AA 1014 37	Screw Pre - Coated	1	
5	DH 1018 96	Gasket Crankcase (K1UG5)	1	
6	39 2583 20	Bearing Ball (For Input Shaft)	1	
7	59 2000 27	Bearing Ball (For Output shaft)	1	
8	39 2180 06	Dowel Pin	2	
9	39 2601 20	Ball Bearing	1	
10	DH 1014 87	Plate Stopper	1	
11	39 1845 04	Flange Bolt	1	

Crankcase LH



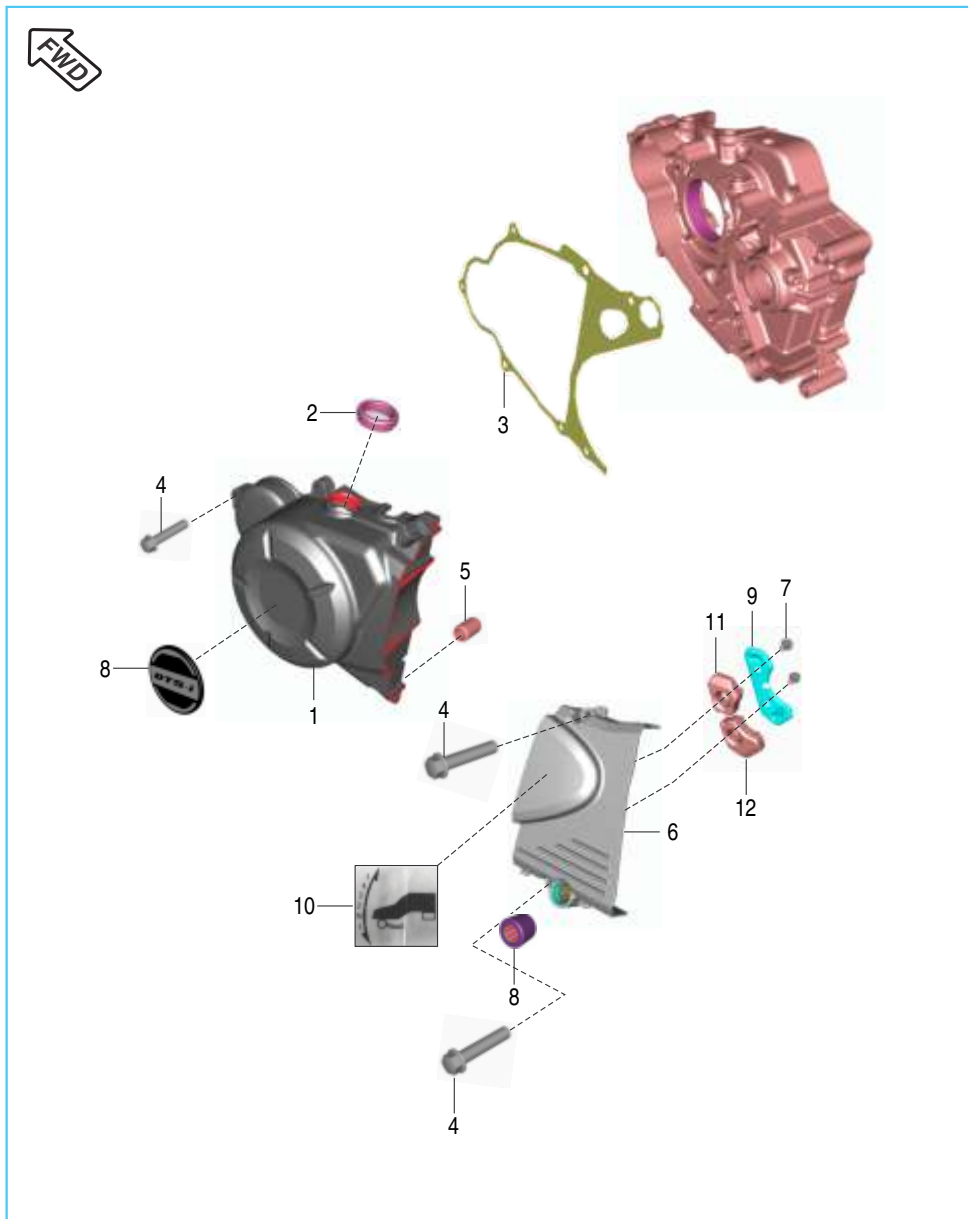
No.	Part No.	Description	Qty.	Remarks
1	JC 1010 45	Crankcase LH	1	
2	59 0500 08	Stud	2	
3	DK 1010 94	Guide Starter Assembly	1	
4	39 2188 19	Oil Seal	1	
5	59 2100 06	O' Ring	1	
6	39 0752 01	C' Sunk Head Screw	3	
7	39 2603 20	Bearing Ball (for Input Shaft)	1	
8	59 2000 06	Bearing Ball (for Output Shaft)	1	
9	59 2000 28	Balancer LH Bearing	1	
10	DG 1014 56	Oil Seal (For Output Shaft)	1	
11	39 2190 19	Oil Seal (For Shift Lever)	1	
12	DH 1012 03	Breather Pipe	1	
13	DH 1017 18	Rubber Tube	1	
14	DS 1012 34	Spring Clip	1	
15	DH 1016 61	Plug Drain Bolt	1	
16	31 1011 06	Gasket (For Drain Bolt)	1	
17	DK 1013 80	Neutral Switch Complete	1	
18	DJ 2011 40	Cable Assembly (Battery To Earth)	1	
19	39 1940 04	Plain Washer	1	
20	39 1677 04	Bolt	8	
21	DK 1010 97	Damper	1	
22	59 2000 07	Needle Roller Bearing (30*37*16)	1	
23	KJ AB10 19	O Ring	1	
24	39 2181 06	Hollow Dowel Pin	2	

Cover Clutch



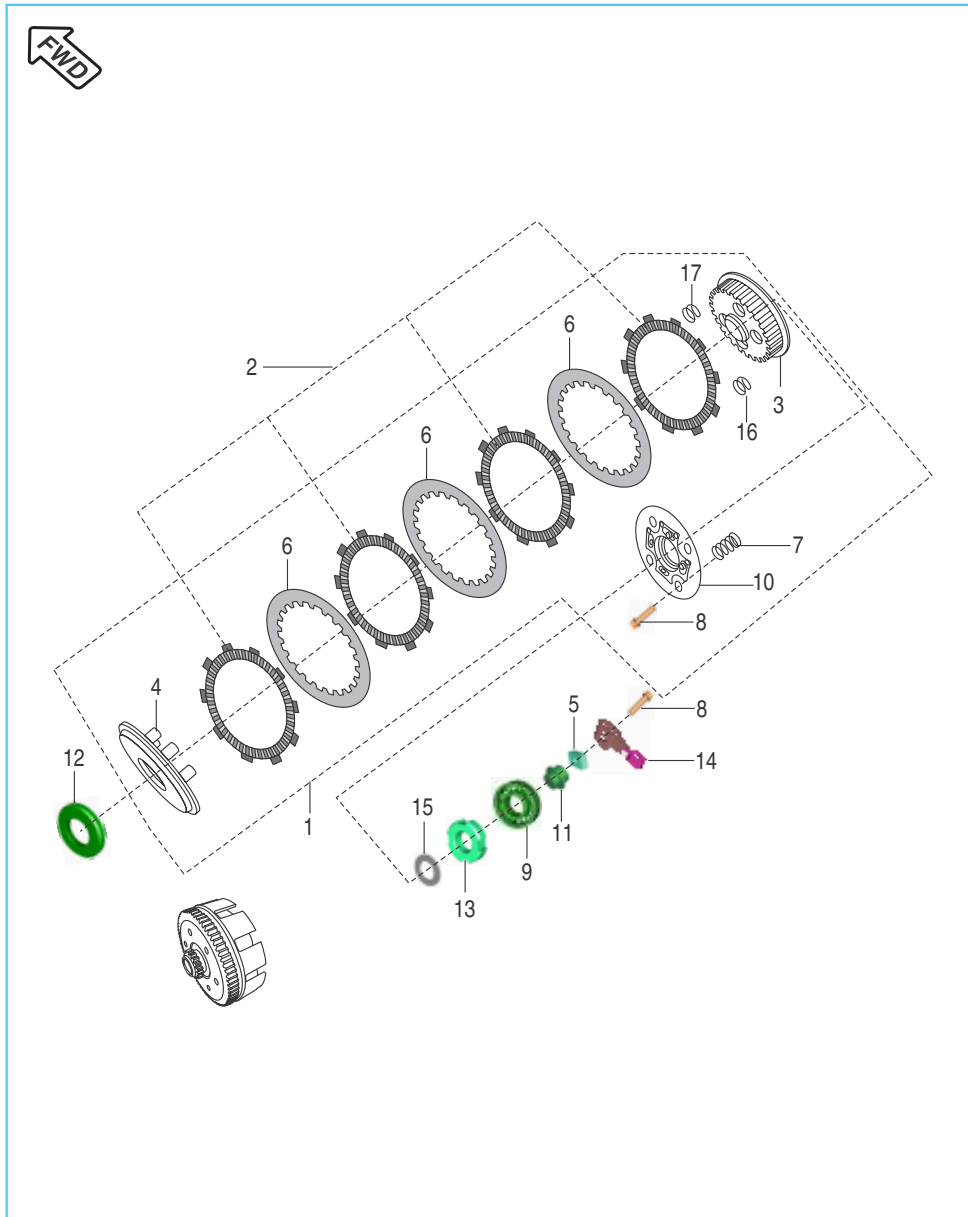
No.	Part No.	Description	Qty.	Remarks
1	36 DJ40 82	Kit Assembly Cyl. Cover Slate Gray	1	
2	DH 1011 97	Grommet Breather	1	
3	DH 1011 42	Shaft Clutch Release	1	
4	39 1041 19	Seal Clutch Lever	1	
5	DH 1011 41	Rack	1	
6	DH 1011 52	'O' Ring	1	
7	DK 1012 51	Parallel Pin	1	
8	DG 1014 18	Gauge	1	
9	DS 1012 15	Clip Wire	1	
10	DS 1013 53	Bolt	10	
11	39 0999 06	Pin Dowel	2	
12	DH 1010 18	Bracket Clutch Cable	1	
13	DH 1011 54	Gasket Cover RH	1	
14	DK 1014 80	Plunger Oil	1	
15	DH 1210 11	Plate Plunger Oil	1	
16	DH 1210 12	Spring Joint 'A'	1	
17	DH 1015 44	Spring Torsion Clutch Lever	1	
18	39 2443 11	Washer	1	
19	DK 1017 38	Decal DTS-I	1	
20	39 1990 20	Bearing Needle	1	
21	DS 1010 71	Cap Oil Filler	1	

Cover Magneto



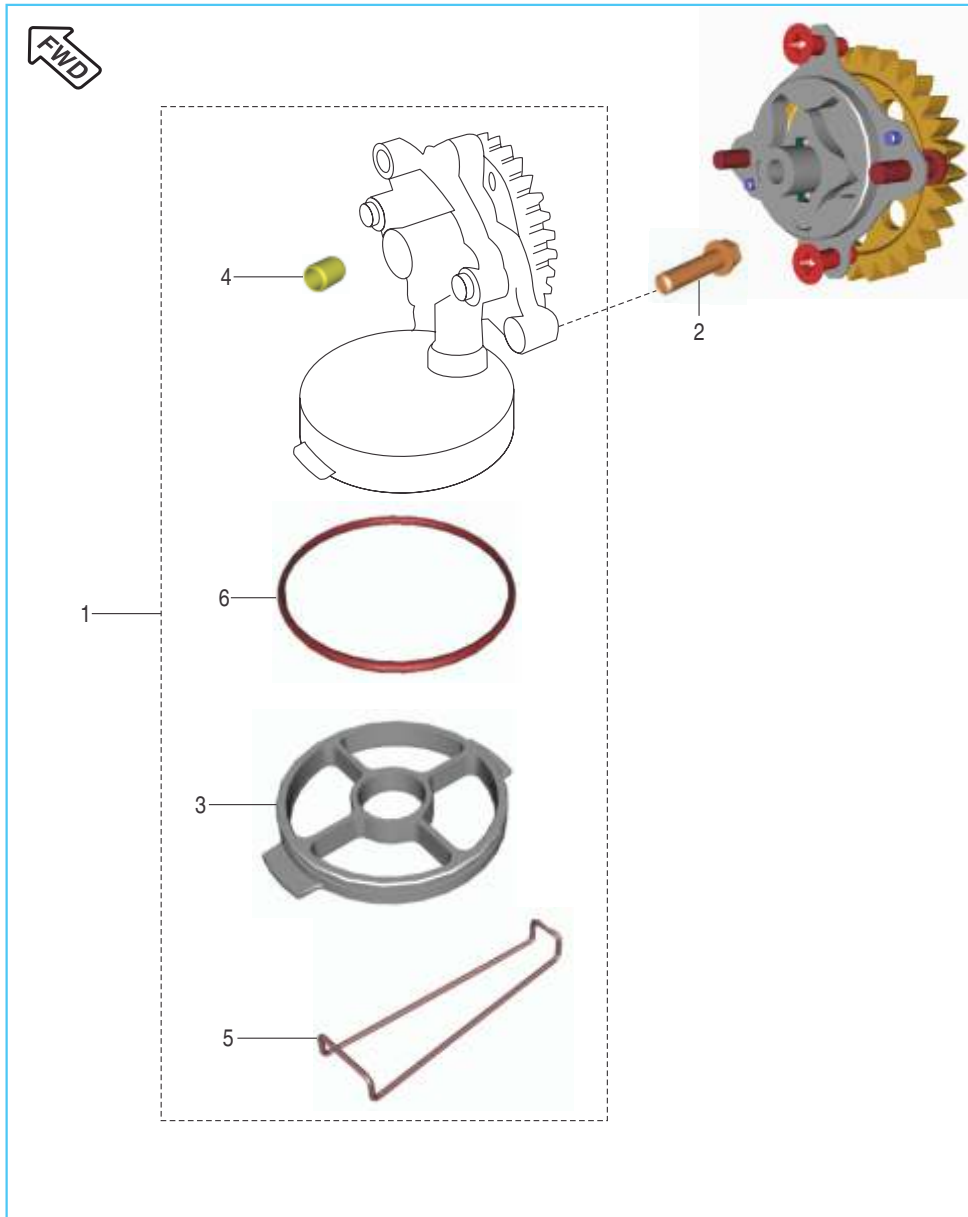
No.	Part No.	Description	Qty.	Remarks
1	52 DH13 17	Cover LH (Magneto) Slate Gray	1	
2	DG 1014 18	Gauge	1	
3	DV 1010 42	Gasket Magneto Cover	1	
4	DS 1013 53	Bolt	7	
5	39 0999 06	Pin Dowel	2	
6	56 DJ3Z 1Y	Cover LH RR	1	
7	DH 1013 88	Flanged Bolt	2	
8	JE 5412 12	Decal DTS-I	1	
9	DH 1012 93	Plate Damper Cover LH RR	1	
10	DJ 1612 28	Gear Shift Label (Sticker)	1	
11	DH 1012 92	Damper A Cover LH RR	1	
12	DH 1012 94	Damper B Cover LH RR	1	
13	AP 1010 43	Bearing Needle Bendix	1	

Clutch Assembly



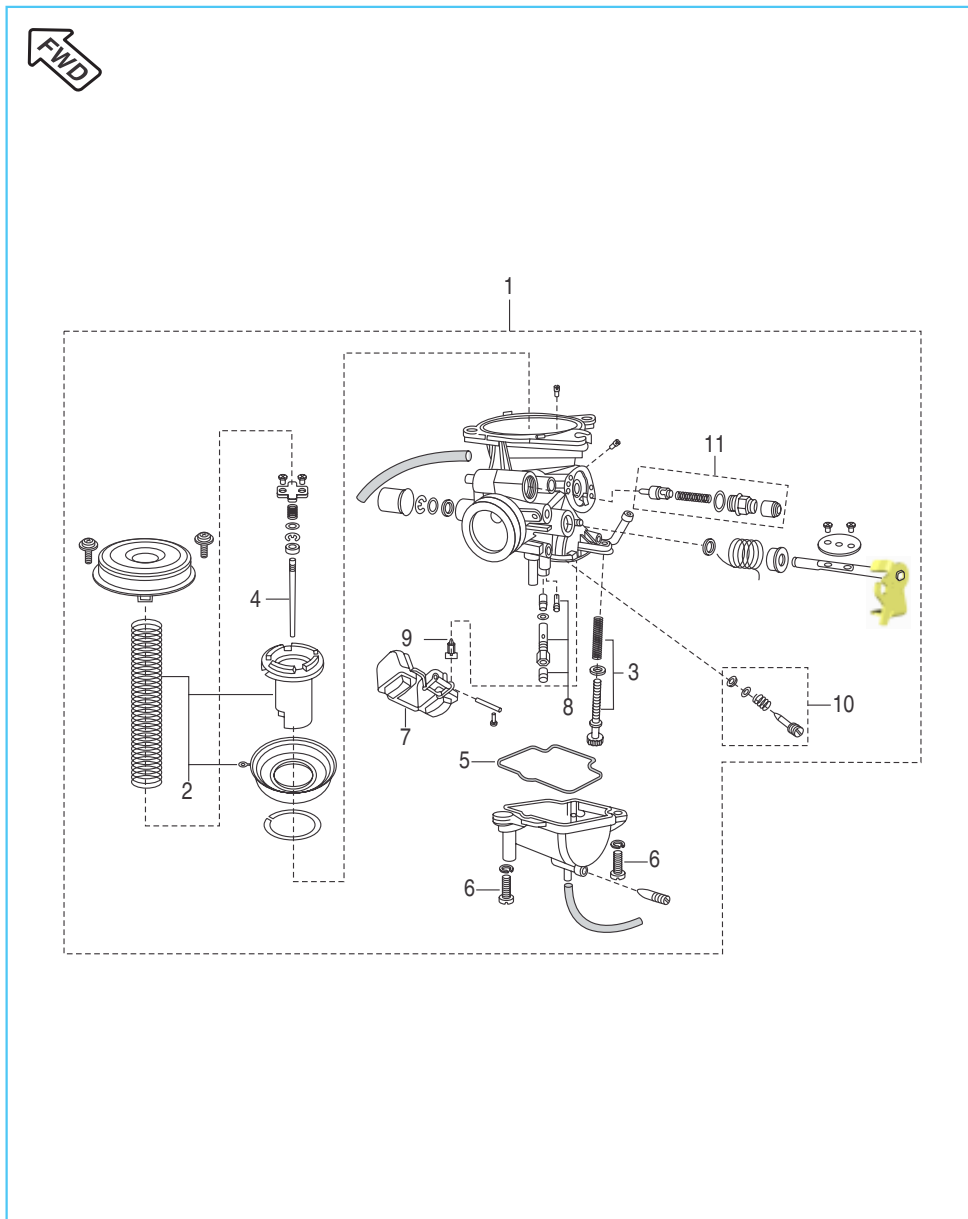
No.	Part No.	Description	Qty.	Remarks
1	DJ 1013 50	Clutch Assembly Complete	1	
2	36 PD00 30	Friction Plate Kit	1	
3	DK 1015 64	Clutch Center	1	
4	DK 1015 69	Plate Clutch Pressure	1	
5	DH 1012 75	Special Nut	1	
6	DK 1015 65	Plate Clutch	4	
7	PD 5514 27	Spring Clutch	5	
8	DK 1015 74	Bolt	5	
9	39 2617 20	Bearing Clutch Lifter Thrust	1	
10	DK 1015 73	Holder Clutch	1	
11	DK 1010 72	Rod Clutch Lifter	1	
12	DK 1011 26	Spacer Clutch	1	
13	DH 1016 48	Nut Primary Drive Lock	1	LH Thread
14	DK 1016 36	Lever Assembly Clutch	1	
15	39 2200 11	Washer Primary Drive Gear	1	
16	DK 1015 70	Seat Judder Spring	1	
17	DK 1015 71	Spring Judder	1	

Oil Pump Assembly



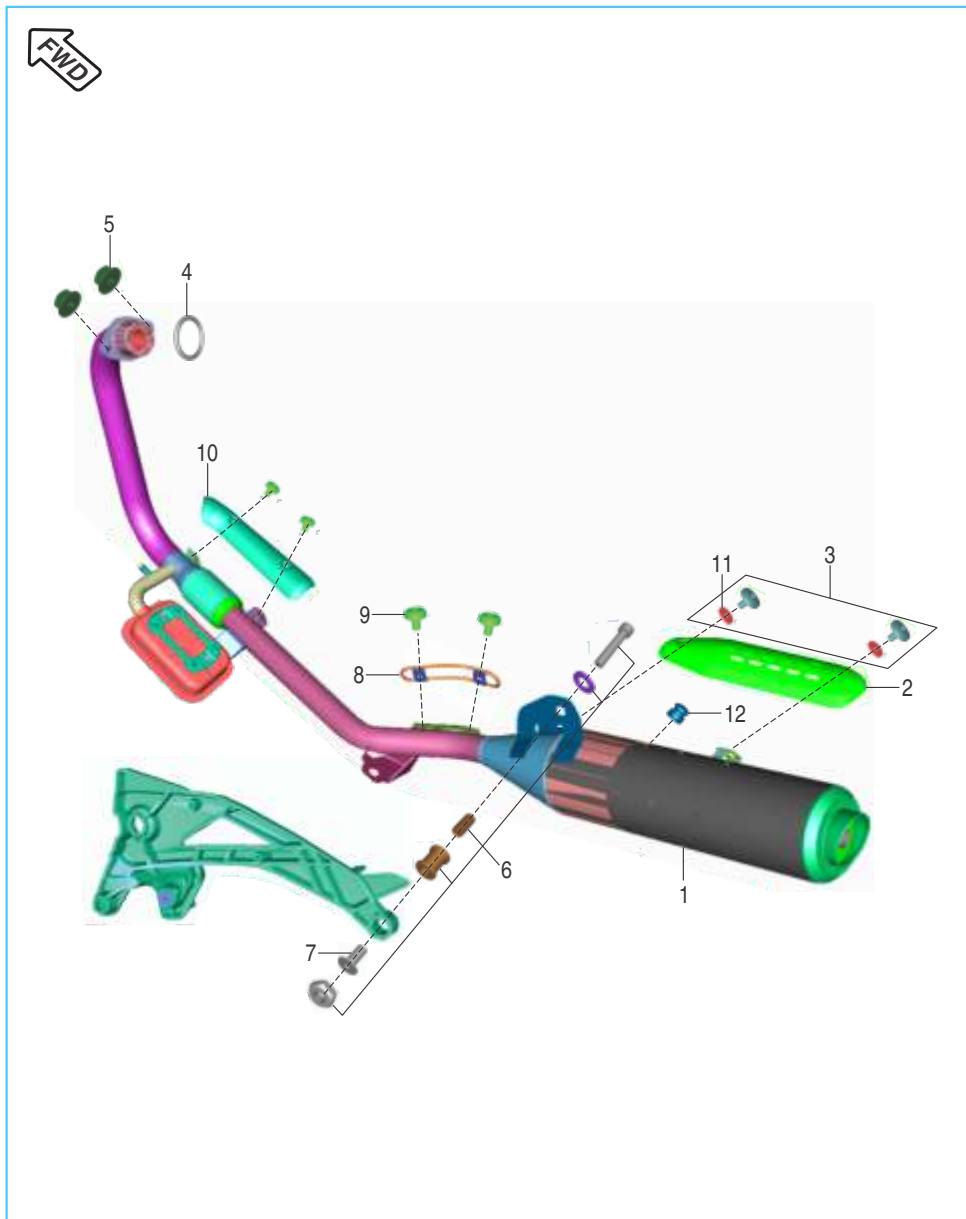
No.	Part No.	Description	Qty.	Remarks
1	52 DH01 69	Oil Pump Assembly	1	
2	39 1674 04	Hex. Bolt With Flange	3	
3	DH 1210 10	Mesh Filter Oil Pump	1	
4	39 1686 06	Hollow Dowel Pin	1	
5	DH 1210 35	Clip Mesh Oil Filter	1	
6	39 2194 21	'O' Ring	1	

Carburettor Assembly



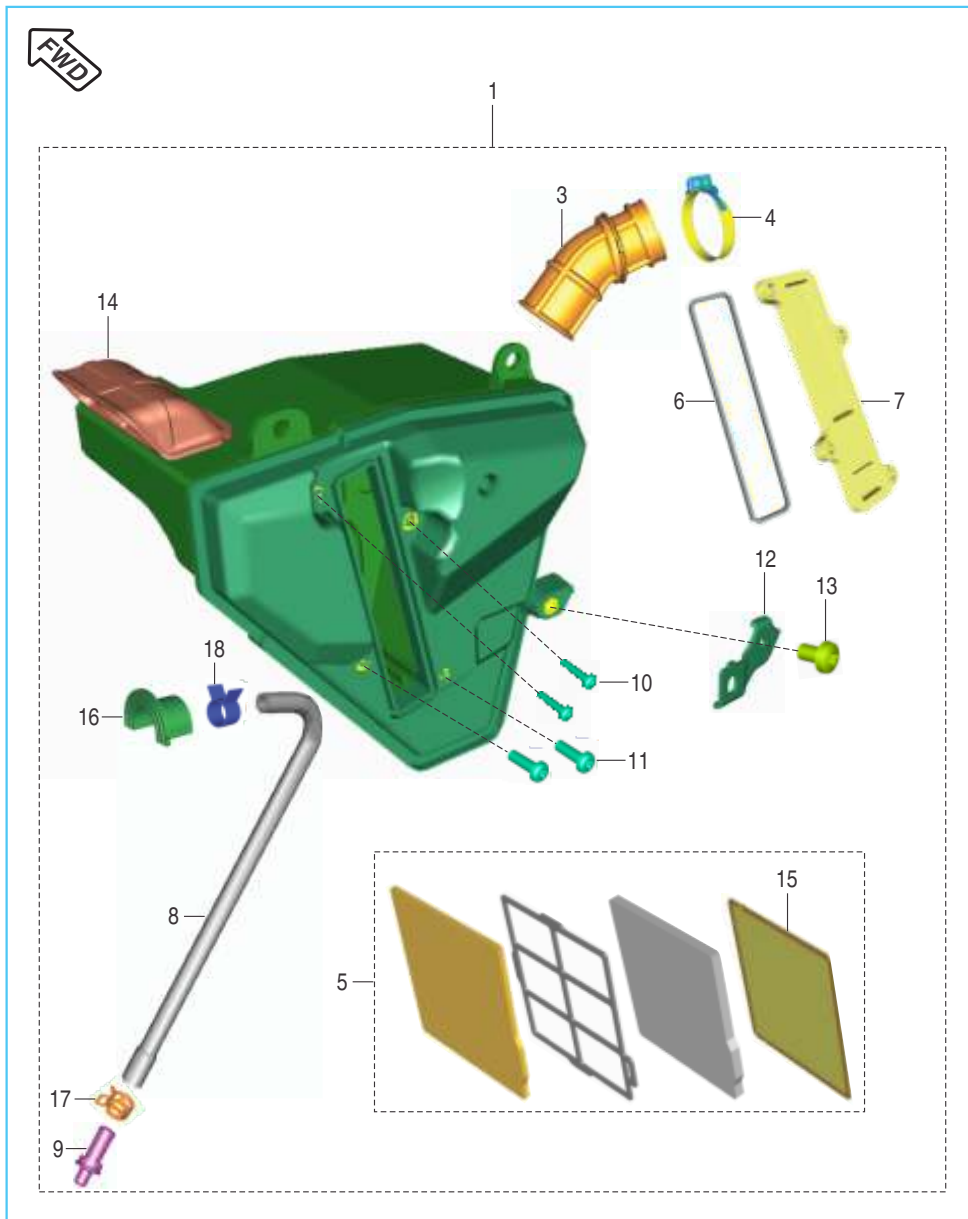
No.	Part No.	Description	Qty.	Remarks
1	DJ 1210 91	Carburettor Assembly	1	
2	DH 1211 71	Vacuum Piston Kit	1	
3	DH 1211 68	Idling Screw Kit	1	
4	DJ 1210 44	Jet Needle (JN)	1	
5	DJ 1210 53	"O" Ring	1	
6	DJ 1210 54	Screw	2	
7	DJ 1210 55	Float Assembly	1	
8	DJ 1210 56	Jet Holder Kit	1	
9	DJ 1210 57	Needle Assembly	1	
10	DH 1211 69	Set Adjuster (PS)	1	
11	DJ 1210 59	Set Plunger Assembly	1	

Silencer Assembly



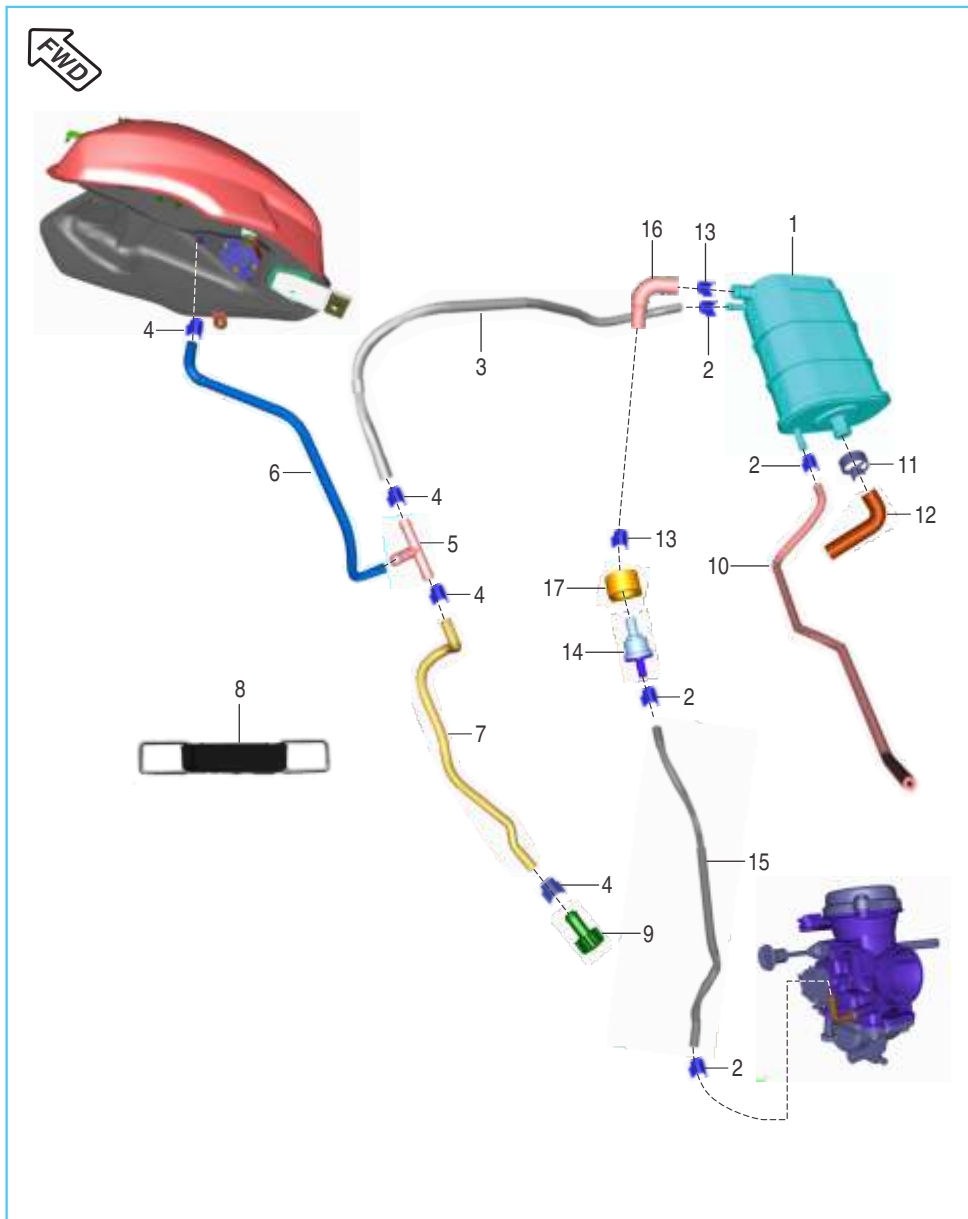
No.	Part No.	Description	Qty.	Remarks
1	YD J080 01	Kit Assembly Silencer W/O Shield	1	
2	DH 1022 72	Shield Silencer	1	
3	36 DH40 11	Kit Hardware Shield	1	Ref Kit List
4	DJ 1010 64	Gasket Exhaust	1	
5	39 1970 15	Hex Nut / Flange M8	2	
6	36 DK00 09	Kit Hardware Silencer	1	Ref Kit List
7	DJ 1612 78	Tube Silencer With Washer	1	
8	DH 1022 63	Wire Shield Assembly	1	
9	DH 1016 07	Truss Screw	4	
10	DH 1016 08	Silencer front (Cat) Shield	2	
11	JB 5910 68	Washer Nylon Shield Silencer	2	
12	JB 5910 59	Damper Shield Muffler Disco - M	1	

Air Cleaner Assembly



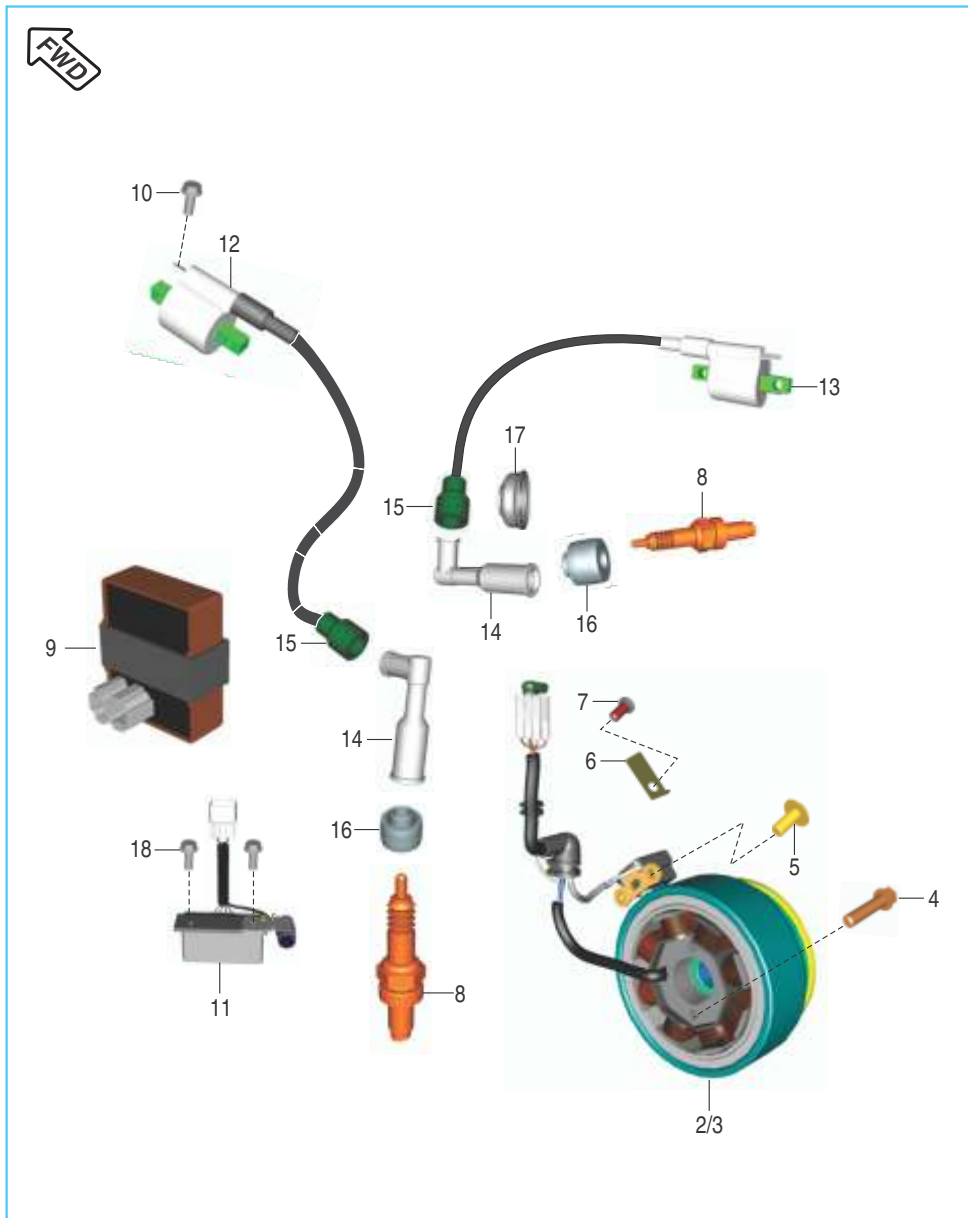
No.	Part No.	Description	Qty.	Remarks
1	DJ 1210 87	Air Cleaner Complete	1	
2	36 DH40 10	Kit Hardware Air Cleaner	1	Ref Page No. 101
3	DJ 1210 81	Connecting Tube	1	
4	DH 1211 90	Clamp	1	
5	DK 1210 09	Assembly Element Filter	1	
6	DK 1210 15	'O' ring Air Filter Cover	1	
7	DK 1210 07	Filter Air Element Cover	1	
8	DS 1211 17	Drain Tube	1	
9	DS 1211 26	Plug	1	
10	KB BA05 25	Screw Pan Cross	2	
11	KB BA05 16	Screw Pan Cross	2	
12	DH 1614 16	Bracket Lock	1	
13	39 1780 01	Screw Pan - M5	1	
14	DS 1211 16	Duct	1	
15	DH 1022 74	Flame Arrester Complete	1	
16	DK 1210 11	Cap Breather Pipe	1	
17	DG 1210 02	Clamp (Hose C'case Breather)	1	
18	AA 1410 48	Spring Band Clip 10 MM	1	

EVAP Mechanism



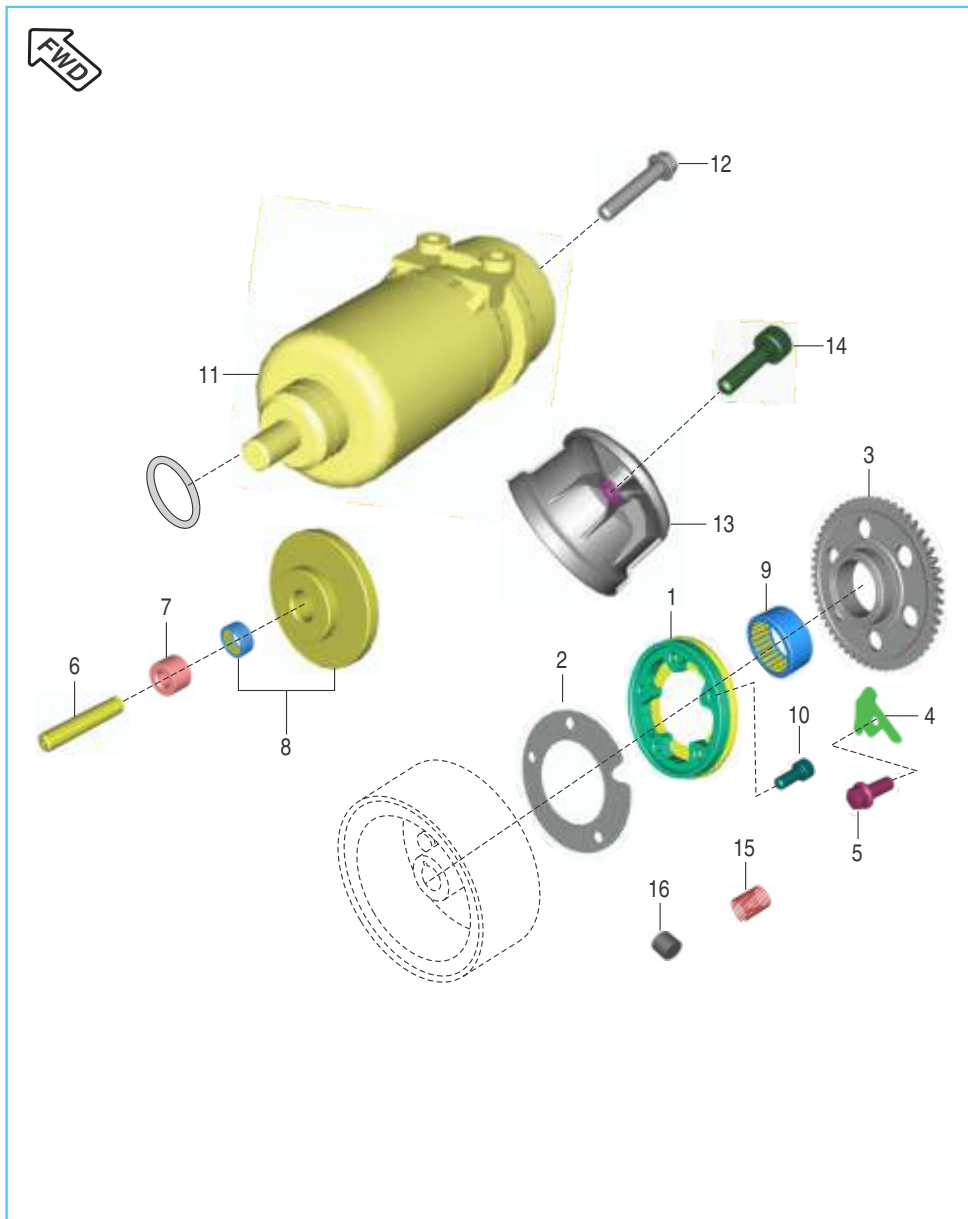
No.	Part No.	Description	Qty.	Remarks
1	JY 1710 77	Canister	1	
2	JY 1710 70	Spring Band Clamp 9 x 8.4	5	
3	DJ 1410 73	Tube T Connector To Canister	1	
4	JG 1710 29	Spring Band Clamp 11.5 X 8.4	5	
5	GL 1710 36	Connector For Breather And Vapor Tube	1	
6	DJ 1410 72	Tube Tank To T Connector	1	
7	DJ 1410 74	Tube Condensate Fuel Drain	1	
8	DH 1614 29	Strap Canister	1	
9	JY 1718 25	Plug Fuel Drain	1	
10	DH 1410 73	Tube Canister Drain	1	
11	JH 1716 02	Clamp - Canister Breather	1	
12	DH 1410 74	Tube Canister Breather	1	
13	JY 1710 69	Spring Band Clamp 15 x 10	1	
14	PD 1716 16	Valve Purge	1	
15	DJ 1410 71	Tube Purge Valve To Carburetor	1	
16	DJ 1410 77	Tube Connector To Purge Valve	1	
17	JH 1710 48	Grommet Purge Valve	1	

Magneto, CDI & H.T. Coil



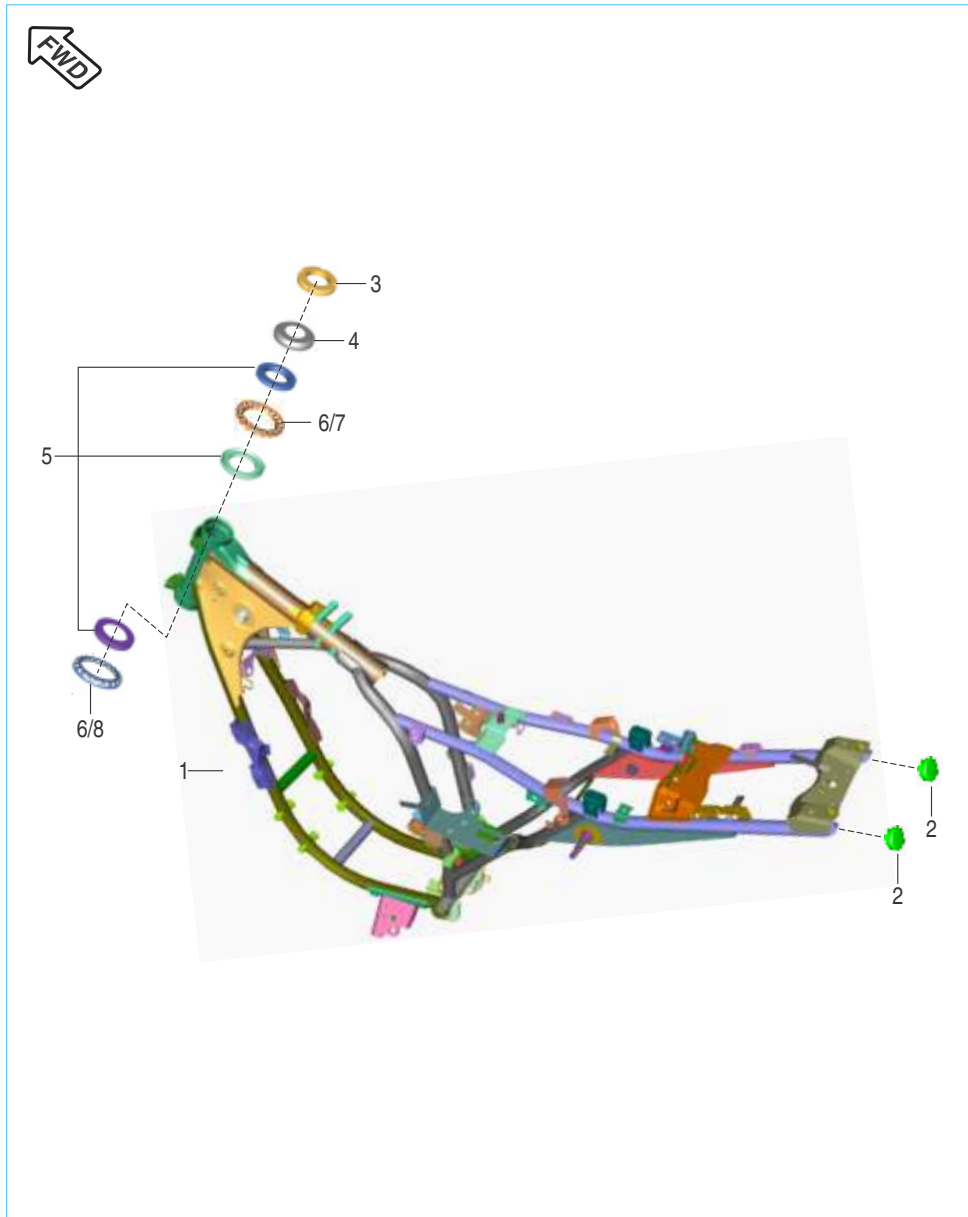
No.	Part No.	Description	Qty.	Remarks
1	59 1000 02	Spring Dowel Sleeve	1	N.I.
2	DH 1110 80	Stator Assembly Complete	1	
3	DH 1110 82	Rotor Assembly	1	
4	DH 1013 86	Hex. Bolt With Flange	2	
5	DH 1013 81	Pan Head Screw	2	
6	DH 1011 99	Stopper Plate (Wiring Harness)	1	
7	DH 1013 80	Screw Pan Head	1	
8	DG 1110 08	Spark Plug	2	
9	DJ 1110 98	CDI Non TPS Assembly K2	1	
10	39 1944 04	Flange Bolt	4	
11	DJ 2012 02	Regulator	1	
12	JC 1110 22	H.T. Coil LH With Cable	1	
13	JC 1110 23	H.T. Coil RH With Cable	1	
14	DH 1110 15	Cap Spark Plug	2	
15	DD 1110 12	Grommet H.T. Cable	2	
16	DH 1110 13	Grommet Spark Plug	2	
17	DH 1110 16	Grommet Sleeve Spark Plug	1	
18	39 1944 04	Flange Bolt	2	

Starter Assembly



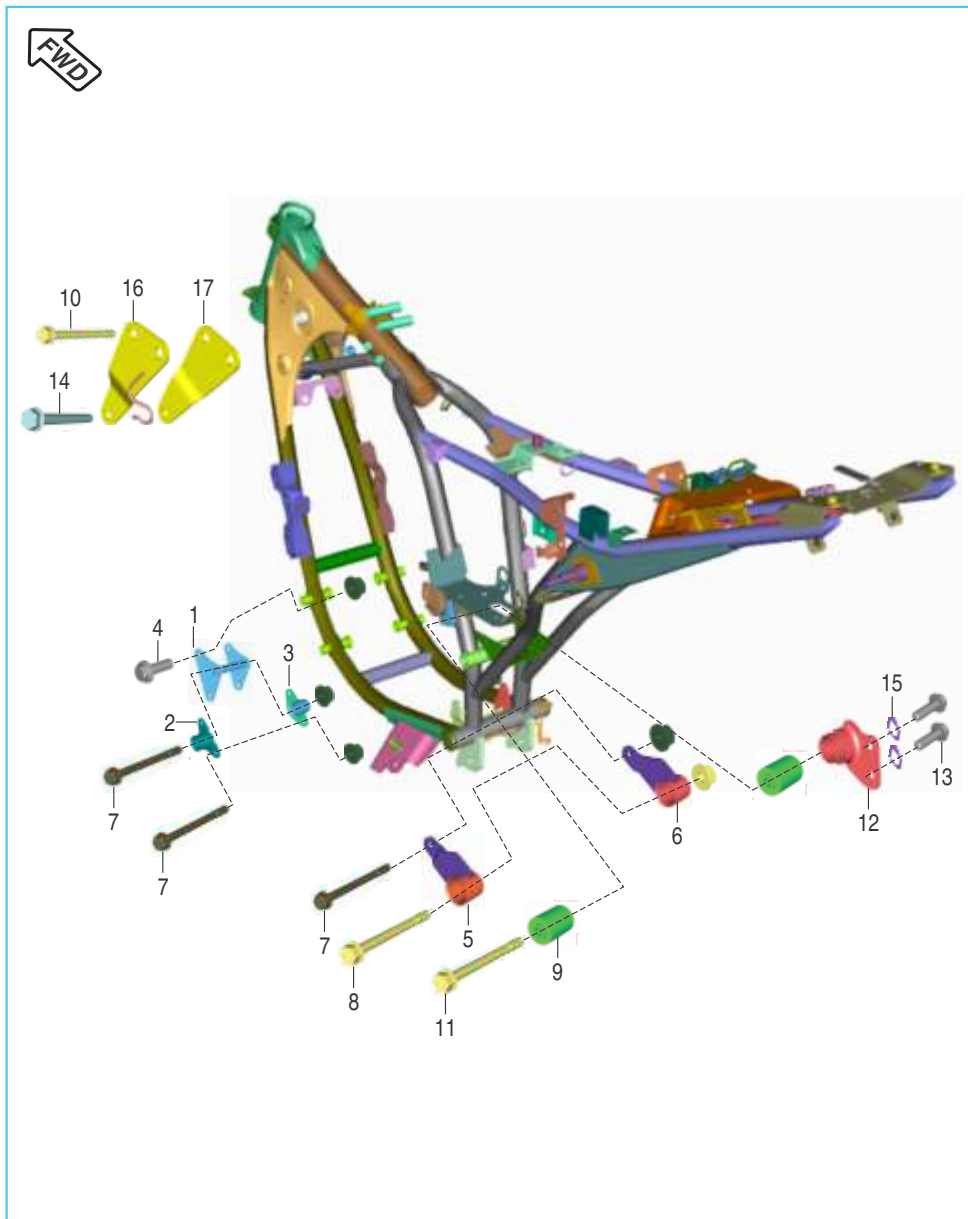
No.	Part No.	Description	Qty.	Remarks
1	DK 1015 95	Body Complete Starter Clutch	1	
2	DK 1016 05	Plate Roller Clutch	1	
3	JC 1011 12	Gear Starter Clutch (55T)	1	
4	DH 1015 81	Plate Starter Clutch Gear Return	1	
5	DH 1013 85	Bolt	1	For Stopper Plate
6	DK 1011 76	Shaft Starter Counter	1	
7	DH 1011 72	Collar Starter Counter	1	
8	JC 1011 15	Gear Complete Starter Counter Assembly	1	
9	59 2000 07	Needle Roller Bearing	1	
10	39 0972 04	Bolt Socket M6	3	
11	DH 1110 84	Motor Assembly Starter Clutch	1	
	DH 1111 15	Starter Motor Assembly - 325 W	1	
12	DS 1013 53	Bolt	2	
13	56 DJ4E 1Y	Cover Starter Motor	1	
14	DH 1013 89	Slotted C' Sunk Screw	1	
15	DK 1015 96	Spring	5	
16	DH 1011 63	Roller	5	

Frame and Frame Fittings



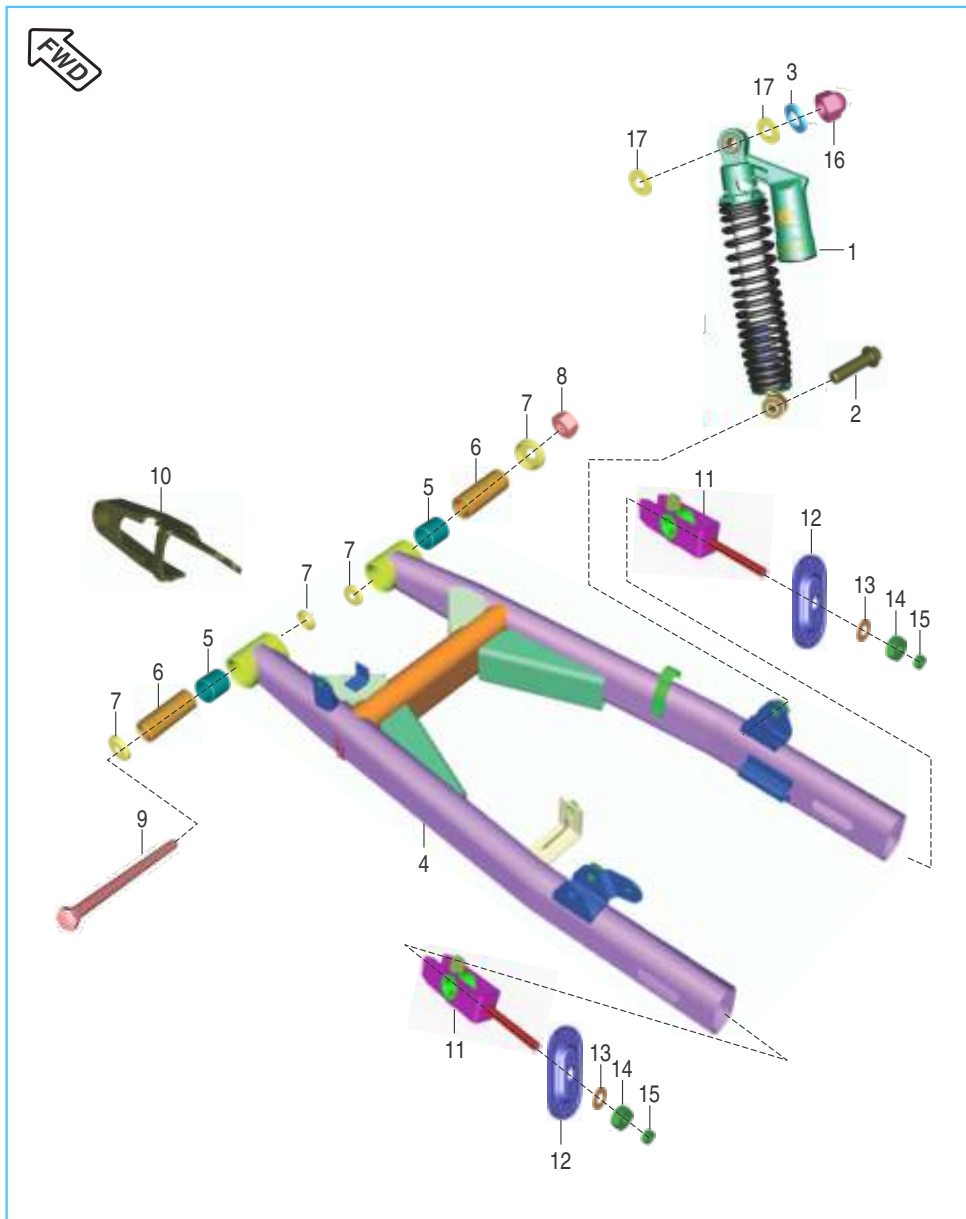
No.	Part No.	Description	Qty.	Remarks
1	DJ 1614 00	Frame Assembly Complete	1	
2	DH 1611 12	Cup Rear	2	
3	DK 1810 75	Nut	1	
4	PD 1510 06	Cap Steering	1	
5	36 JG00 11	Bearing Cone Kit	1	Refer Kit List
6	KM AA08 00	Ball Steel	39	
7	DK 1810 50	Cage steering bearing top	1	
8	DK 1810 51	Cage steering bearing bottom	1	

Engine Mountings

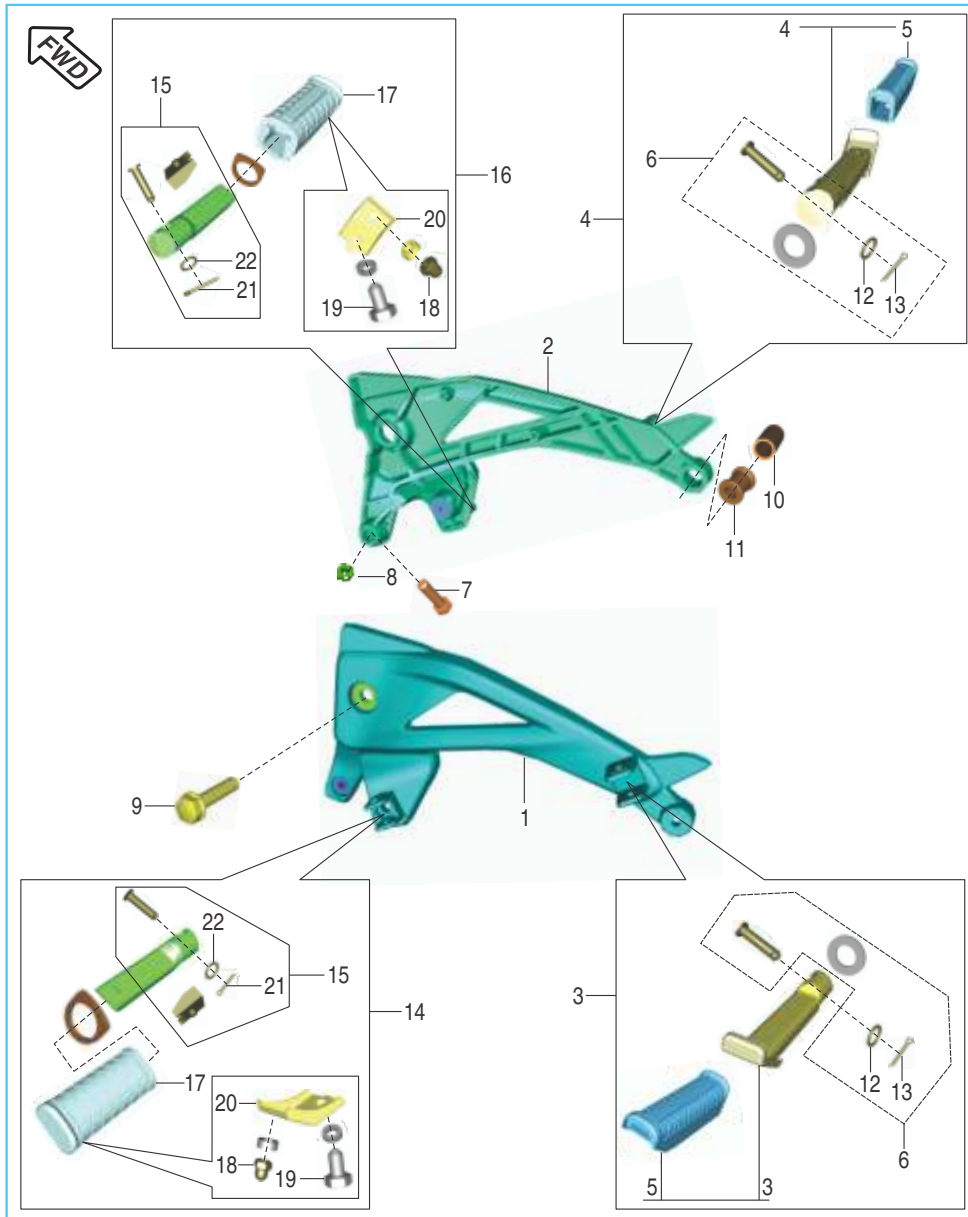


No.	Part No.	Description	Qty.	Remarks
1	DK 1610 96	Bracket Assembly Engine Mounting Front	2	
2	DH 1611 89	Bracket Complete LH Engine Mounting Frt.	1	
3	DH 1611 90	Bracket Complete RH Engine Mounting Frt.	1	
4	39 2312 04	Hex Hd Bolt / Flange - M8	4	
5	DJ 1611 14	Bracket Complete LH Engine Mtg. Lower	1	
6	DJ 1611 15	Bracket Complete RH Engine Mtg. Lower	1	
7	39 2157 04	Bolt Flanged	3	
8	39 2412 04	Bolt Flanged	1	Alt. 39 2311 04
9	DH 1611 61	Bush In Frame	1	
10	39 1967 04	Bolt	2	
11	59 0400 41	Hex Hd Bolt / Flange - M8 x 180L	1	
12	DK 1611 61	Bracket Complete RH Engine Rear	1	
13	39 2310 04	Flanged Bolt	2	
14	59 0400 17	Hex Hd Bolt Flanged - M8	1	
15	39 1040 11	Washer	1	
16	DK 1614 15	Assembly Engine Mounting Bracket Top LH	1	
17	DK 1614 16	Assembly Engine Mounting Bracket Top RH	1	
18	DJ 1612 90	Chassis No. Protection Tape	1	

Swing Arm & Rear Shock Absorber



No.	Part No.	Description	Qty.	Remarks
1	DK 1710 14	Rear Shock Absorber	2	
2	DG 1710 38	Bolt Pre-coated	2	
3	39 1829 12	Spring Washer	2	
4	DK 1710 11	Swing Arm Assembly	1	
5	DG 1710 18	Swing Arm Bearing	2	
6	DK 1710 06	Collar Swing Arm	2	
7	DG 1710 19	Oil Seal Swing Arm	4	
8	DH 1710 19	'U' Nut Swing Arm	1	
9	DK 1710 03	Shaft Swing Arm	1	
10	DG 1710 34	Chain Slider	1	
11	DJ 1710 44	Adjuster Chain	2	
12	JM 1710 04	Plate Chain Adjuster	2	
13	39 1224 11	Plain Washer	2	
14	39 1997 15	Hexagon Nut	2	
15	DG 1710 22	Small nut	2	
16	39 2366 15	Domed Cap Nut - M12	2	
17	39 0714 11	Washer Plain	4	



FWD Front Wheel Direction

Rider, Pillion Foot Rest & Step Holder

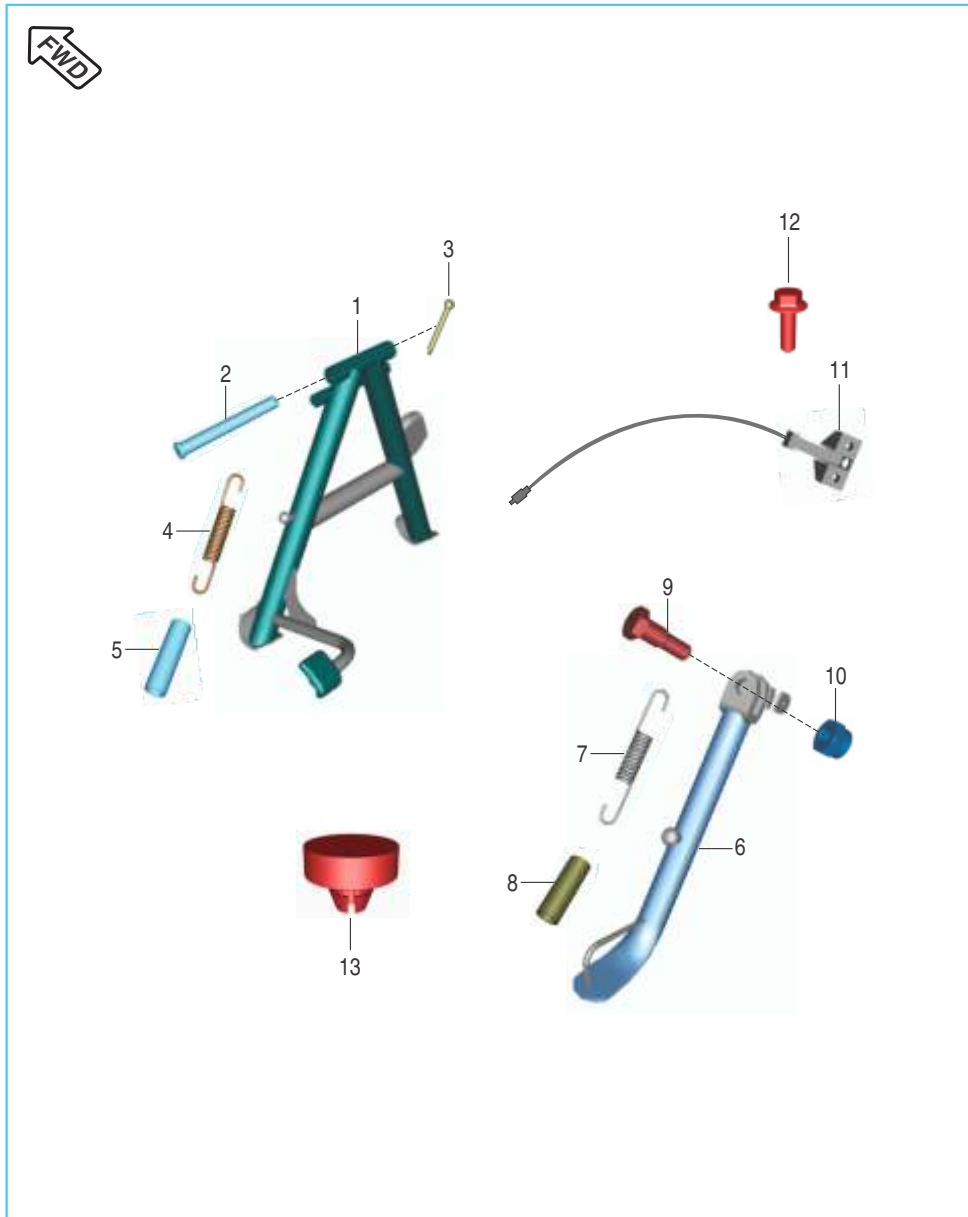
No.	Part No.	Description	Qty.	Remarks
1	56 DJ3X 1Y	Holder LH Step	1	
2	56 DJ3Y 1Y	Holder RH Step	1	
3	DJ 1611 28	Pillion Step Assembly Complete LH	1	
4	DJ 1611 29	Pillion Step Assembly Complete RH	1	
5	DJ 1611 22	Rubber Pillion Step	2	
6	36 DK00 13	Kit Hardware Pillion	2	
7	39 1069 01	Hexagon Head Screw	2	
8	39 0292 15	Nut	2	
9	39 1714 04	Flanged Bolt	2	
10	DH 1611 57	Tube Silencer Mounting	1	
11	DH 1611 55	Damper Silencer Mounting	1	
12	30 1410 31	Ring O	2	
13	KH AA32 25	Pin Cotter	2	
14	DJ 1611 26	Main Step LH Assembly	1	
15	36 DK00 13	Kit Hardware Main Step	2	
16	DJ 1611 27	Main Step RH Assembly	1	
17	DH 1610 53	Rubber Main Step	2	
18	39 0963 15	Domed Cap Nut M-8	2	
19	22 1504 51	Bolt Hexagon Head	2	
20	DH 1610 56	Plate Complete Low Main step	2	
21	39 0784 08	Pin Split	2	
22	30 1410 31	O Ring	2	

Mudguard - Front & Rear



No.	Part No.	Description	Qty.	Remarks
1	DJ 1610 69	Nail For Cable Guide	1	
2	DK 1610 98	Brace Fender Front	1	
3	59 0400 40	Step Bolt	4	
4	DS 1611 25	Cable Guide	1	For Cables
5	DK 1613 38	Fender Rear Front	1	
6	39 1672 04	Flange Bolt M6	2	
7	39 0711 11	Plain Washer	4	
8	39 0798 15	Nut Hexagon With Flange M6	2	
9	DK 1610 85	Fender Rear	1	
10	39 1680 04	Flange Bolt	2	

Center & Side Stand Assembly



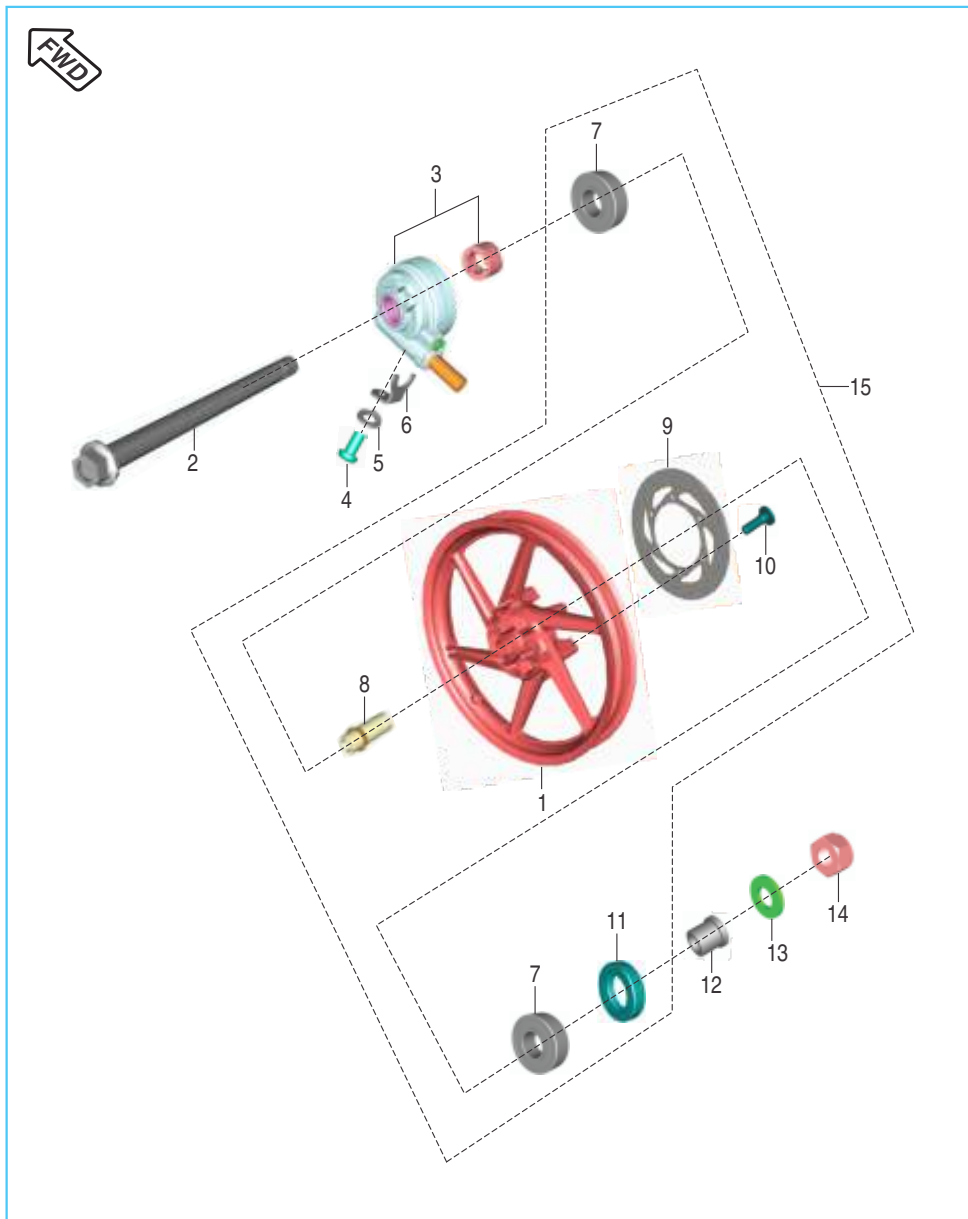
No.	Part No.	Description	Qty.	Remarks
1	DK 1611 22	Stand Center	1	
2	30 1611 57	Shaft Stand	1	
3	39 0787 08	Pin Cotter	1	
4	DH 1611 21	Spring Main Stand	1	
5	DH 1612 39	Cover Spring Center Stand	1	
6	JC 1610 17	Stand Side	1	
7	DH 1610 66	Spring Side Stand	1	
8	DH 1612 40	Cover Spring Side Stand	1	
9	DF 1611 02	Bolt	1	
10	39 0422 15	Nut Nyloc M10	1	
11	JC 2010 39	Side Stand Switch	1	
12	39 2060 04	Flanged Bolt M5	2	
13	DH 2010 65	Magnet Assembly	1	

Tube / Tyre / Rim



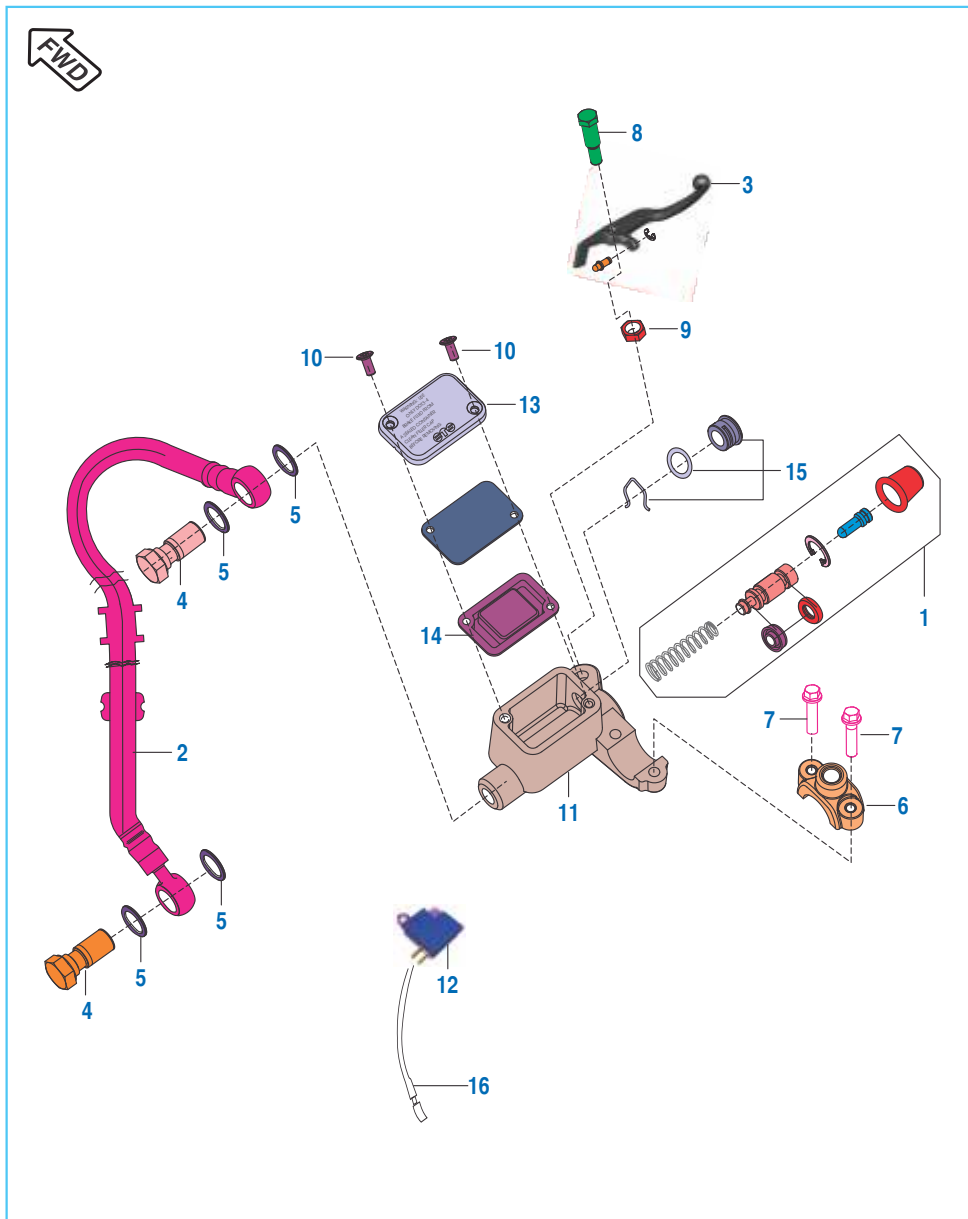
No.	Part No.	Description	Qty.	Remarks
1	JC 1510 13	Wheel Rim Front 1.85 x 17	1	
2	DK 1510 39	Tyre Front Tubeless	1	Not Serviceable
3	DK 1510 50	Wheel Rim Rear 2.5 x 17	1	
4	DK 1510 40	Tyre Rear Tubeless	1	Not Serviceable
5	DK 1510 26	Valve Tubeless Tyre	2	

Front Wheel Assembly



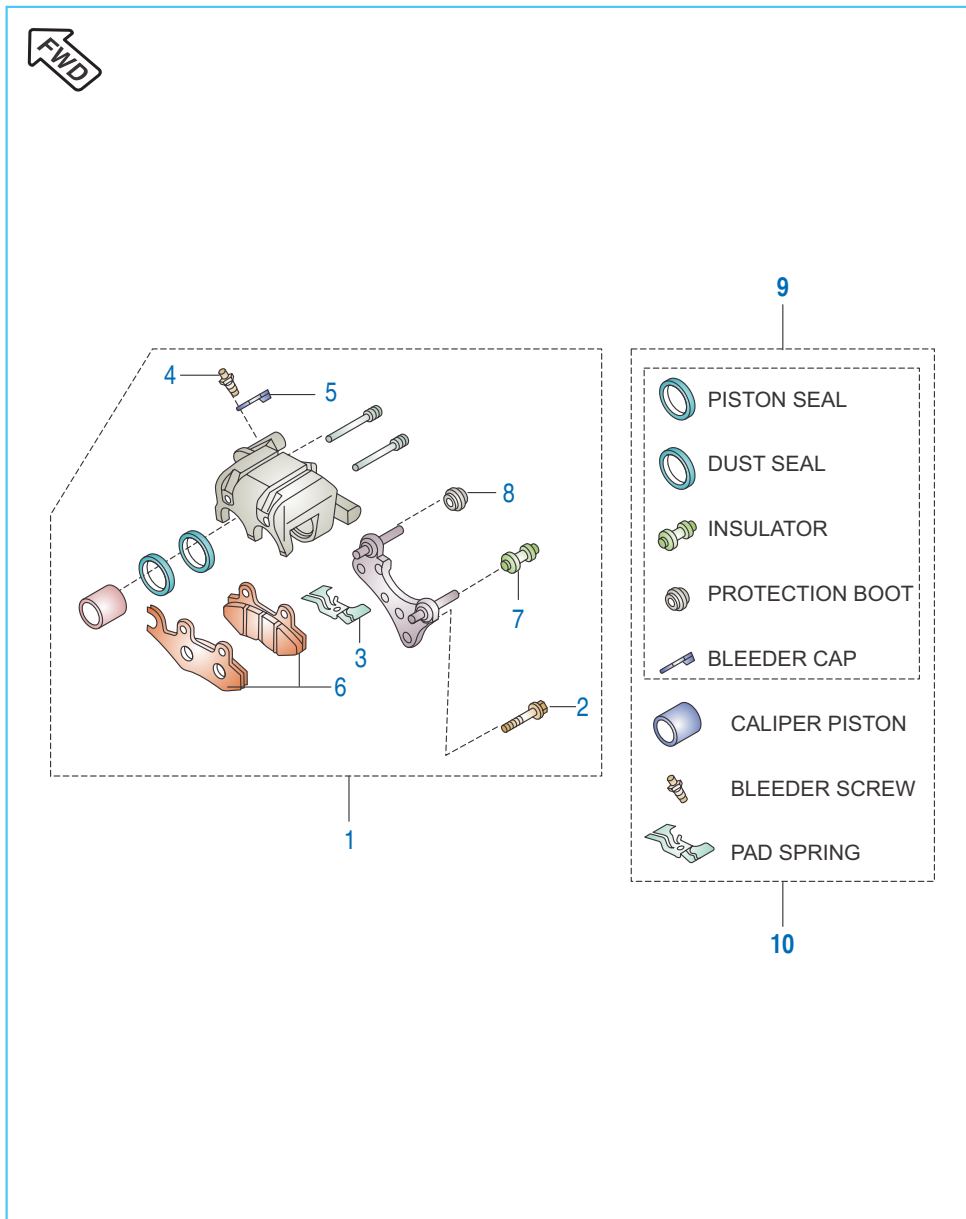
No.	Part No.	Description	Qty.	Remarks
1	JC 1510 13	Wheel Rim Front 1.85 x 17	1	
2	DK 1510 95	Front Axle	1	
3	JC 1510 19	Vehicle Speed Sensor Assembly	1	
4	KB BA04 08	Screw Pan Cross	1	
5	KD DB04 08	Washer Spring Thin	1	
6	JC 2010 46	Stopper plate	1	
7	KP BC62 02	Bearing Ball	2	
8	DK 1510 28	Spacer Assembly	1	
9	DK 1510 27	Disc	1	
10	PD 1318 03	Disc Mounting Bolt	6	
11	DG 1510 05	Seal Oil	1	
12	DG 1510 07	Collar	1	
13	DG 1510 08	Plain Washer	1	
14	DH 1710 19	U Nut	1	
15	JC 1510 17	Front Wheel Assembly	1	

Front Master Cylinder Assembly



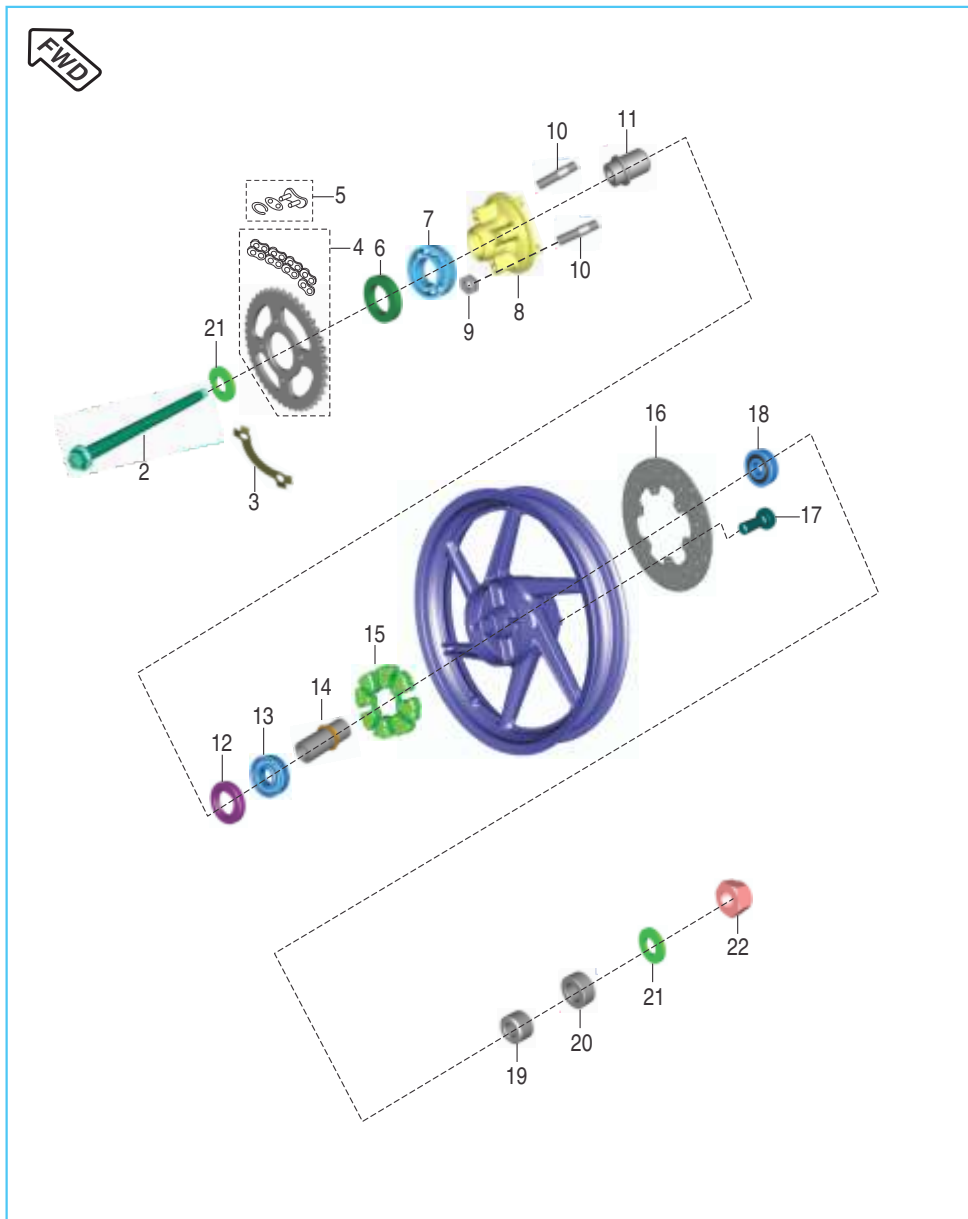
No.	Part No.	Description	Qty.	Remarks
1	36 DJ40 31	Major Kit - Master Cylinder	1	Endurance Make
	36 DH40 48	Major Kit - Master Cylinder	1	Brembo Make
2	DJ 1511 14	Hose Assembly	1	
3	DK 1910 12	Brake Lever RH	1	
4	DK 1510 69	Banjo Bolt	2	
5	DE 1910 10	Washer Copper	4	
6	DJ 1910 27	Clamp Holder RH	1	Endurance Make
	DE 1910 33	Clamp Holder RH	1	Brembo Make
7	DJ 1910 28	Bolt	2	
8	DJ 1910 29	Bolt Front Brake Lever	1	
9	DJ 1910 30	Nut Flanged	1	
10	DJ 1910 31	Screw	2	
11	DJ 1910 56	Master Cylinder Assembly With Lever	1	
12	DJ 2011 09	Front Brake Switch (Minda)	1	
13	DJ 1910 34	Reservoir Cover	1	
14	DJ 1910 35	Diaphragm	1	Endurance Make
	DE 1910 28	Diaphragm	1	Brembo Make
15	36 DH19 02	Oil Window Kit	1	Endurance Make
	DE 1910 36	Oil Window	1	Brembo Make
16	DJ 2011 08	Cable Assembly for switch	1	

Front Brake - Caliper & Disc



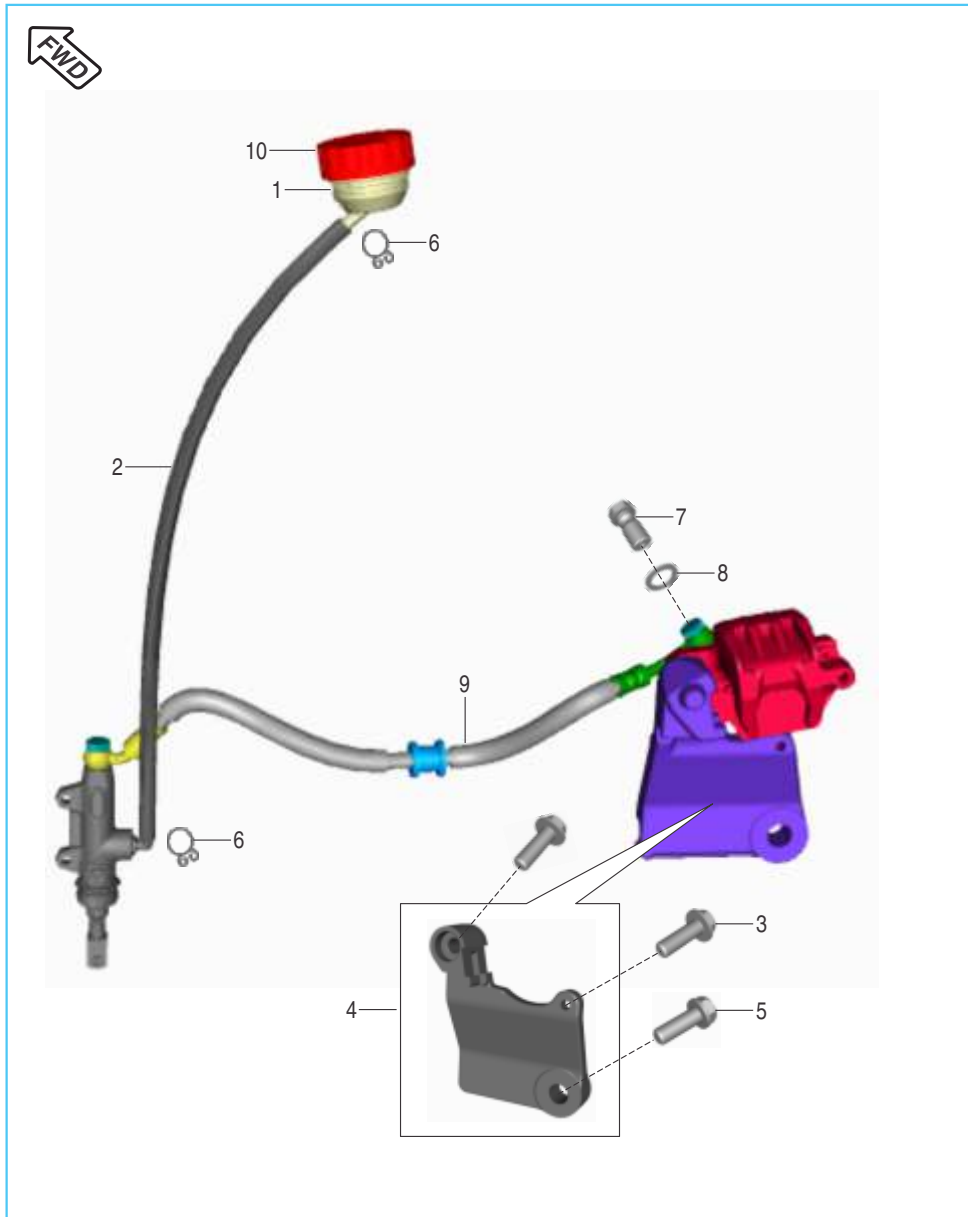
No.	Part No.	Description	Qty.	Remarks
1	JF 1318 06	Caliper Assembly Front	1	
2	39 2121 04	Bolt Flanged	2	
3	DE 1510 48	Spring Pad	1	
4	DE 1510 46	Bleeder Screw	1	
5	DE 1510 47	Bleeder Cap	1	
6	JW 1318 07	Disc Pad Set	1	Endurance Make
	DE 1510 37	Disc Pad Set	1	Brembo Make
7	DE 1510 43	Insulator	1	
8	DE 1510 45	Protection Boot	1	
9	36 DJ40 32	Minor Kit - Caliper	1	Endurance Make
	36 DK00 65	Minor Kit - Caliper	1	Brembo Make
10	36 DJ40 33	Major Kit - Caliper	1	Endurance Make
	36 DK00 66	Major Kit - Caliper	1	Brembo Make
11	JW 1318 09	Caliper Mini Kit	1	Endurance Make
12	JW 1318 10	Anchor Pin Kit	1	Endurance Make

Rear Wheel Assembly



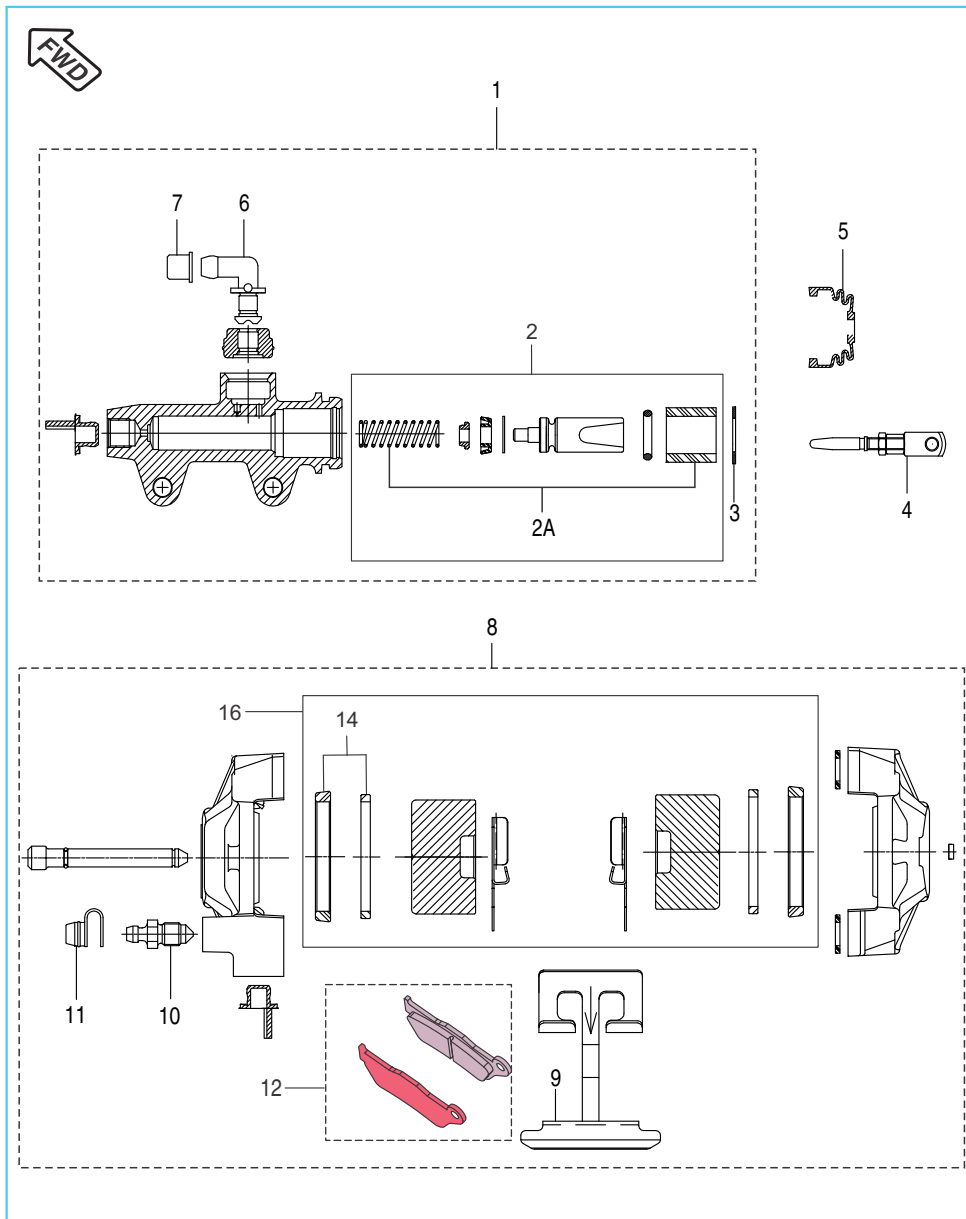
No.	Part No.	Description	Qty.	Remarks
1	DK 1510 50	Wheel Rim Rear 2.5 x 17	1	
2	DK 1510 09	Axel rear	1	
3	DS 1510 74	Washer lock	2	
4	36 DK00 36	Chain sprocket Kit	1	
5	DK 1510 36	Drive chain lock	1	
6	DK 1510 12	Oil Seal	1	
7	KP AC60 05	Ball Bearing	1	
8	JC 1510 16	Coupling	1	
9	39 1997 15	Nut hex small	4	
10	DS 1510 73	Stud	4	
11	DK 1510 15	Sleeve	1	
12	30 1510 82	Seal oil	1	
13	KP BC62 02	Ball bearing	1	
14	DK 1510 22	Collar bearing Assembly	1	
15	JG 1312 19	Coupling rubber	1	
16	DK 1510 24	Rear disc	1	
17	39 2038 04	Hexagon Socket Head Bolt - M6	6	
18	KP BC63 02	Ball bearing	1	
19	DK 1510 81	Spacer I	1	
20	DK 1510 82	Spacer II	1	
21	DG 1510 08	Washer	2	
22	DH 1710 19	"U" nut	1	

Rear Disc Brake System



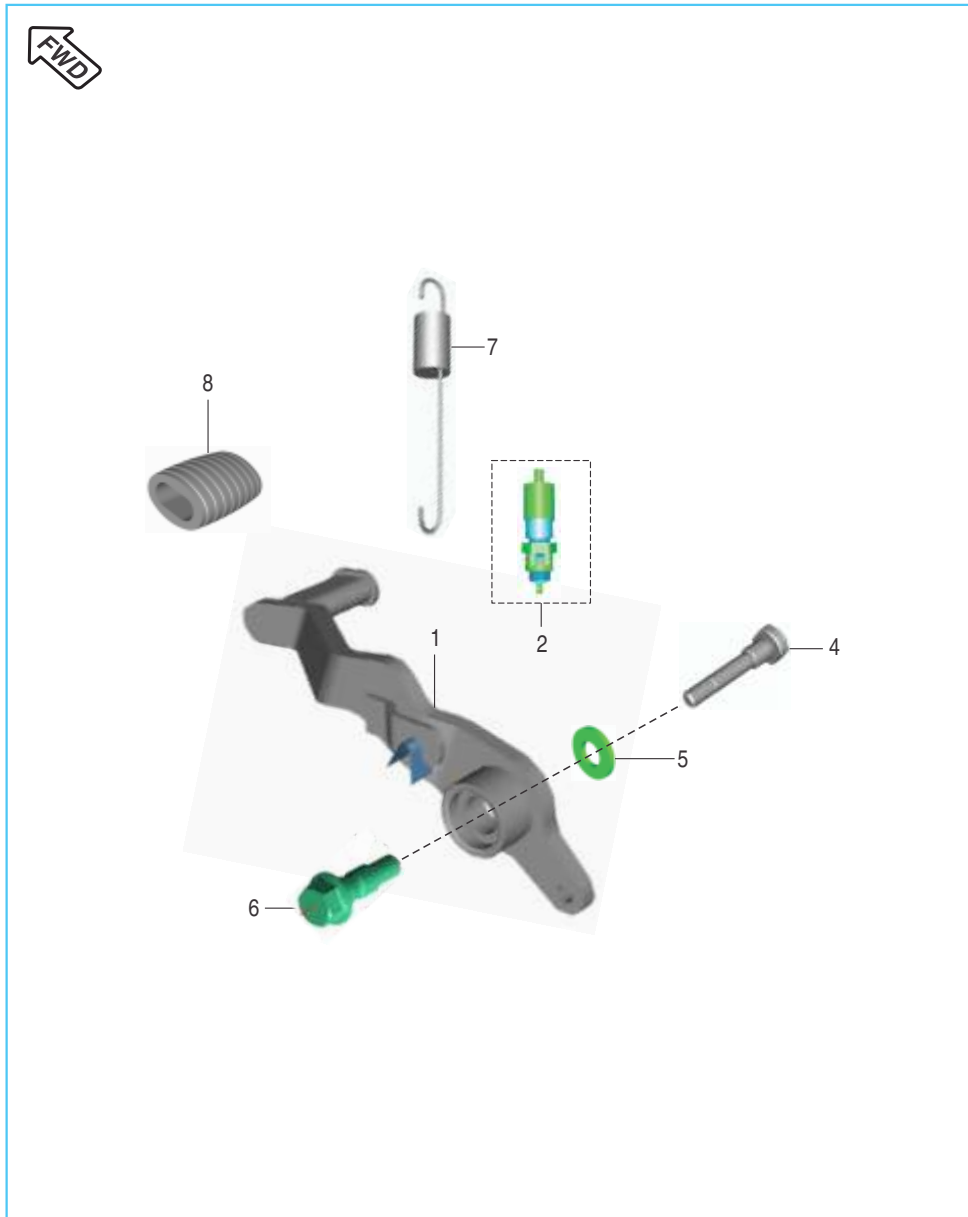
No.	Part No.	Description	Qty.	Remarks
1	DK 1510 33	Reservoir Rear Disc Brake	1	
2	DK 1510 34	Reservoir Tube Rear Disc	1	
3	39 2310 04	Flange Bolt	2	
4	DK 1510 86	Caliper Bracket	1	
5	39 2481 04	Bolt Hexagon Head With Flange M8	1	
6	DK 1510 63	Clip For Reservoir Tube	2	
7	DK 1510 69	Banjo Bolt	1	
8	DE 1910 10	Copper Washer	1	
9	DK 1510 84	Hose Brake Rear	1	
10	DK 1510 45	Reservoir Cap	1	

Rear Disc Brake - Master Cylinder & Caliper



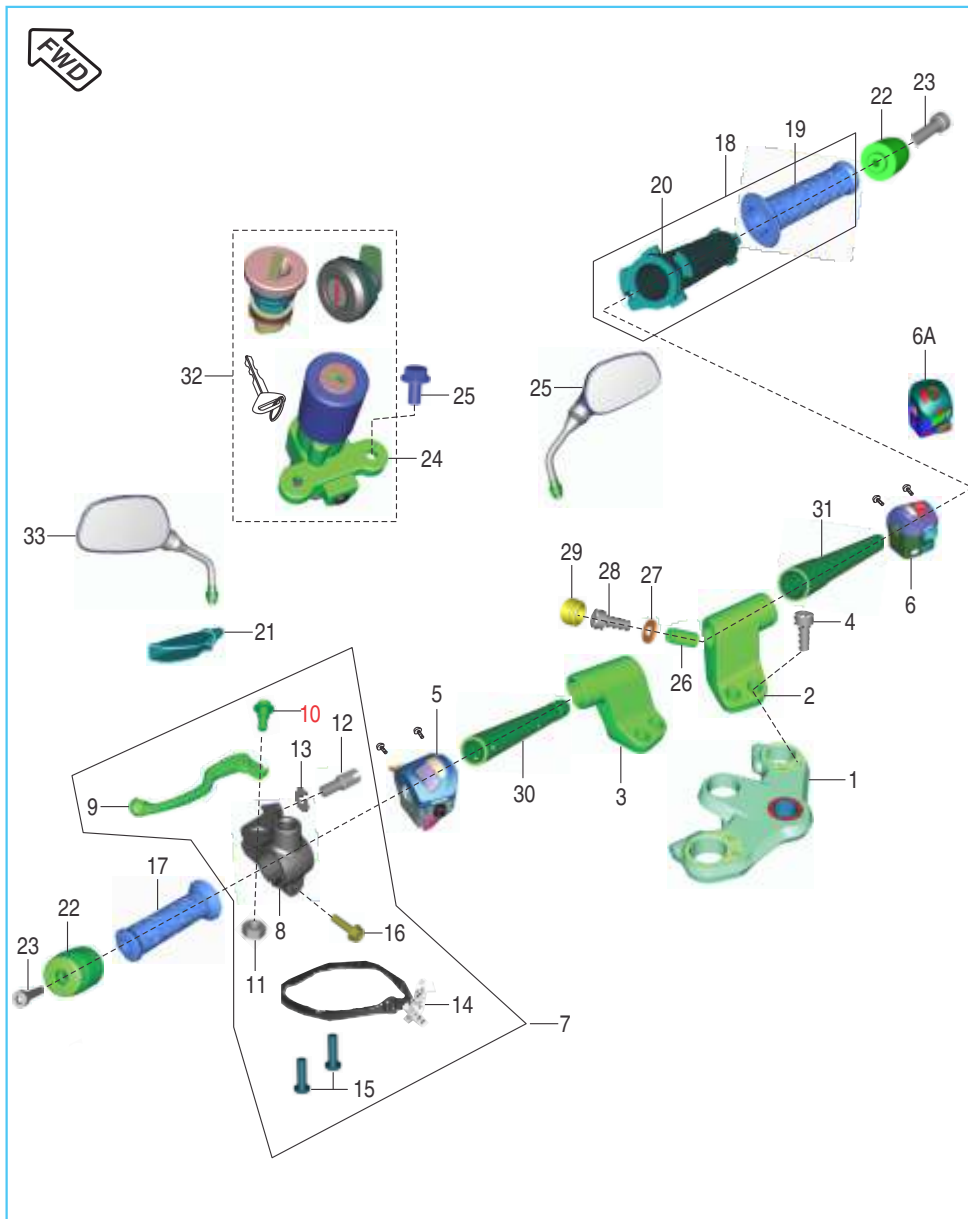
No.	Part No.	Description	Qty.	Remarks
1	DK 1510 31	Master Cylinder	1	
2	36 DK00 69	Major kit caliper	1	
2A	36 DK00 70	Minor kit caliper	1	
3	DK 1510 78	Circlip	1	
4	36 DK00 71	Push Rod	1	
5	DK 1510 42	Boot	1	
6	DK 1510 76	Connector	1	
7	DK 1510 77	Cap	1	
8	DK 1510 83	Caliper Assembly. Rear	1	
9	DK 1510 41	Spring Pad	1	
10	DE 1510 46	Bleeder Screw	1	
11	DE 1510 47	Bleeder cap	1	
12	DK 1510 85	Disc Pad Set	1	
13	DK 1510 88	Piston Kit (major kit) floating caliper	1	
14	DK 1510 89	Kit Piston Seal (Minor Kit)	1	
15	36 DK00 67	Kit Caliper Minor with Grease	1	F-31- 03.12.2012
15	DK 1510 90	Insulator Kit floating caliper	1	
16	36 DK00 68	Kit Caliper Major with Grease	1	F-31- 03.12.2012

Rear Brake Pedal



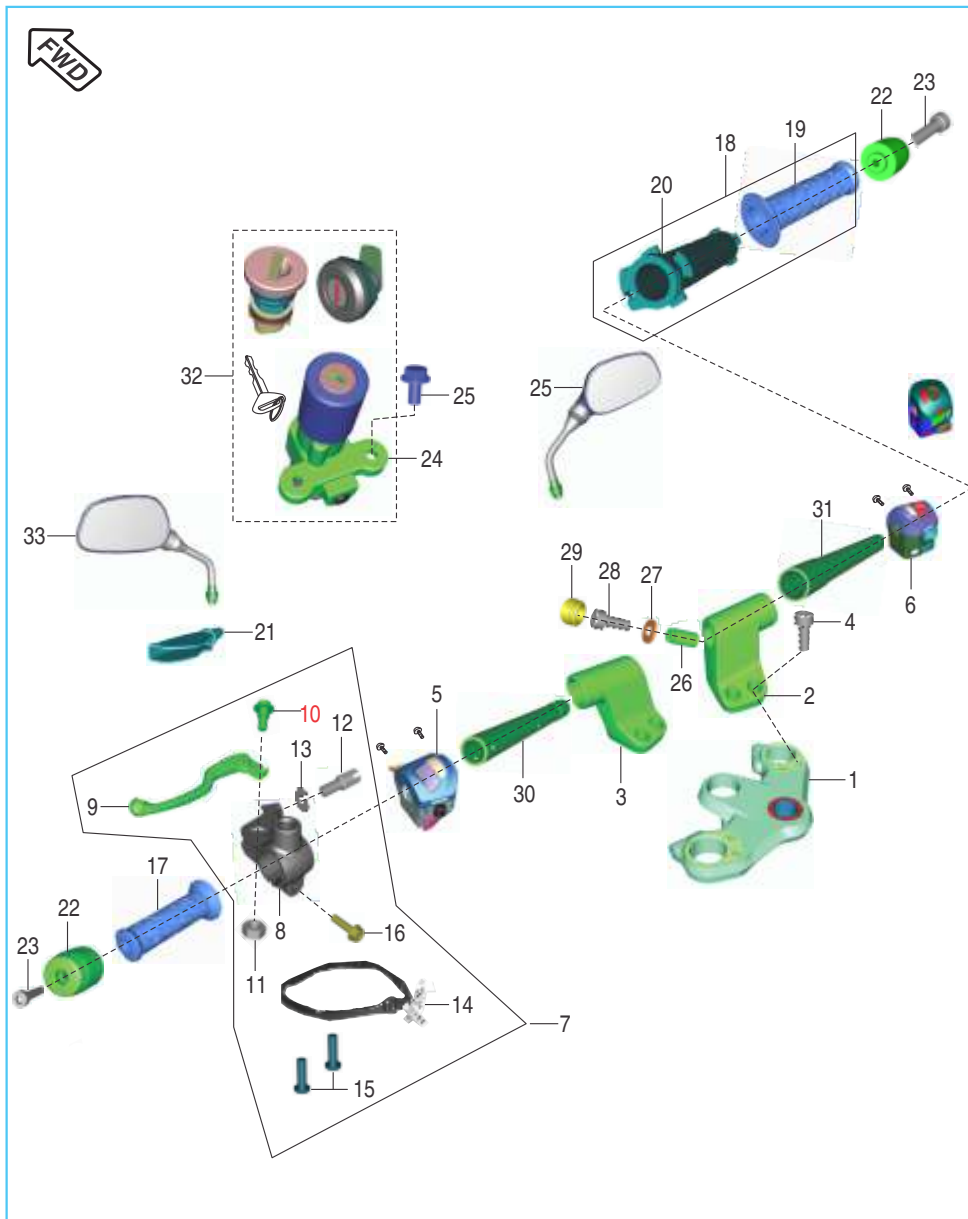
No.	Part No.	Description	Qty.	Remarks
1	DK 1910 12	Lever Brake Pedal	1	
2	31 2010 79	Brake Switch Rear	1	
3	DG 1013 39	Damper	1	
4	DK 1011 86	Bolt Pivot Lever Change	1	
5	DK 1011 85	Washer Pivot Bolt	1	
6	DK 1011 87	Collar Pivot Bolt	1	
7	DK 1910 13	Spring Brake Pedal	1	

Handle Bar



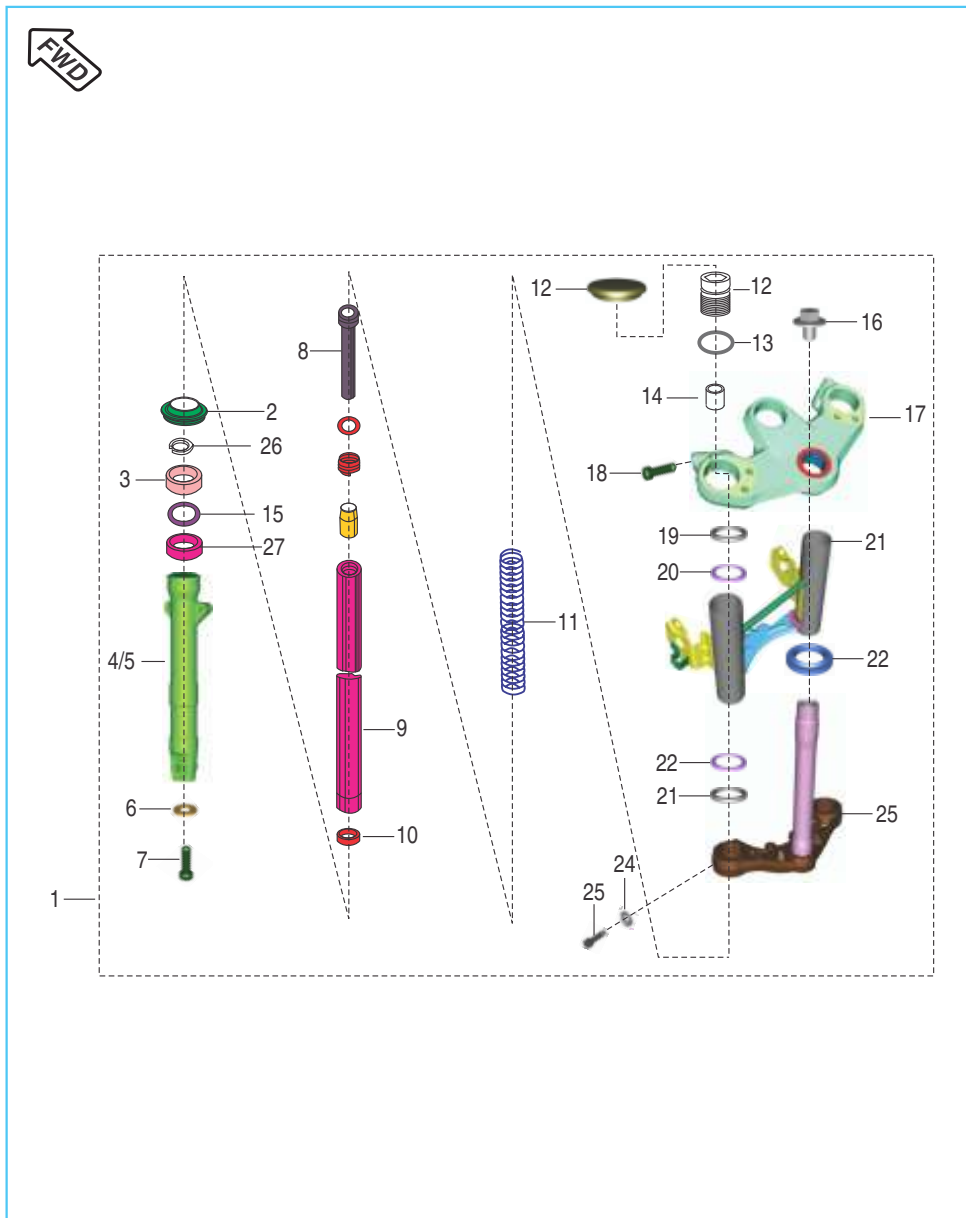
No.	Part No.	Description	Qty.	Remarks
1	56 DK33 Y9	Upper Bracket	1	
2	56 DK31 Y9	Holder handle RH Black	1	
3	56 DK32 Y9	Holder handle LH Black	1	
4	DG 1810 08	Socket Bolt	4	
5	JF 4014 00	Control Switch LH	1	
6	JF 4014 01	Control Switch RH	1	
6A	JD 4014 00	Control Switch RH	1	AHO Model
7	DJ 1910 82	Lever & Support Holder Assembly	1	
8	DJ 1910 81	Holder LH	1	
9	DJ 1910 83	Lever LH	1	
10	DL 1910 14	Stud Lever Handle	1	
11	39 1184 15	Nyloc Nut - M5 x 0.8	1	
12	36 DU19 01	Cable Adjust Kit	1	
13	30 1910 17	Check Nut	1	
14	DJ 2012 46	Clutch Switch	1	
15	LB U000 12	Screw For Clutch Switch	2	
16	KA DD06 25	Bolt Flanged	1	
17	DH 1910 67	Grip LH	1	
18	DH 1910 69	Grip Assembly RH	1	
19	DH 1910 68	Grip RH	1	
20	DH 1910 17	Pipe throttle	1	

Handle Bar



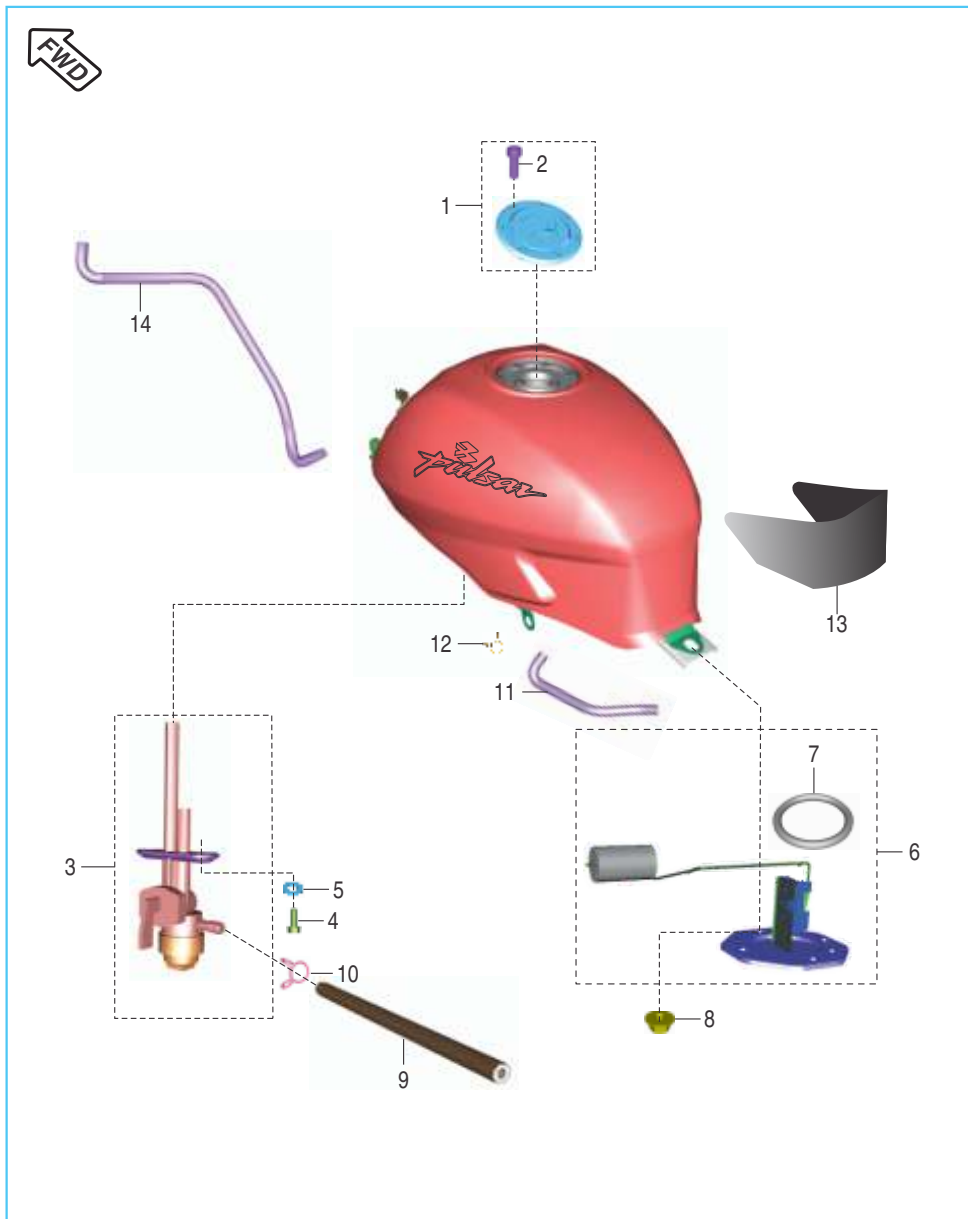
No.	Part No.	Description	Qty.	Remarks
21	DS 1910 52	Lever Boot LH	1	
22	DK 1810 43	Handle bar weight	2	
23	39 2427 04	Hex. Socket HD Cap Screw	2	
24	JB 4014 02	Ignition Switch Assembly	1	
25	39 1680 04	Flange Bolt	2	
26	DK 1810 31	Bush Silent Handle Bar Tube	2	
27	39 1180 11	Washer	2	
28	DK 1810 79	Bolt	2	
29	DK 1810 36	Plug Handle Holder	2	
30	DK 1810 46	Handle Bar Tube Assembly LH	1	
31	DK 1810 47	Handle Bar Tube Assembly RH	1	
32	DH 1811 30	Lock Set	1	
33	DJ 2210 03	Mirror Assly. LH	1	
34	DJ 2210 04	Mirror Assly. RH	1	

Front Fork



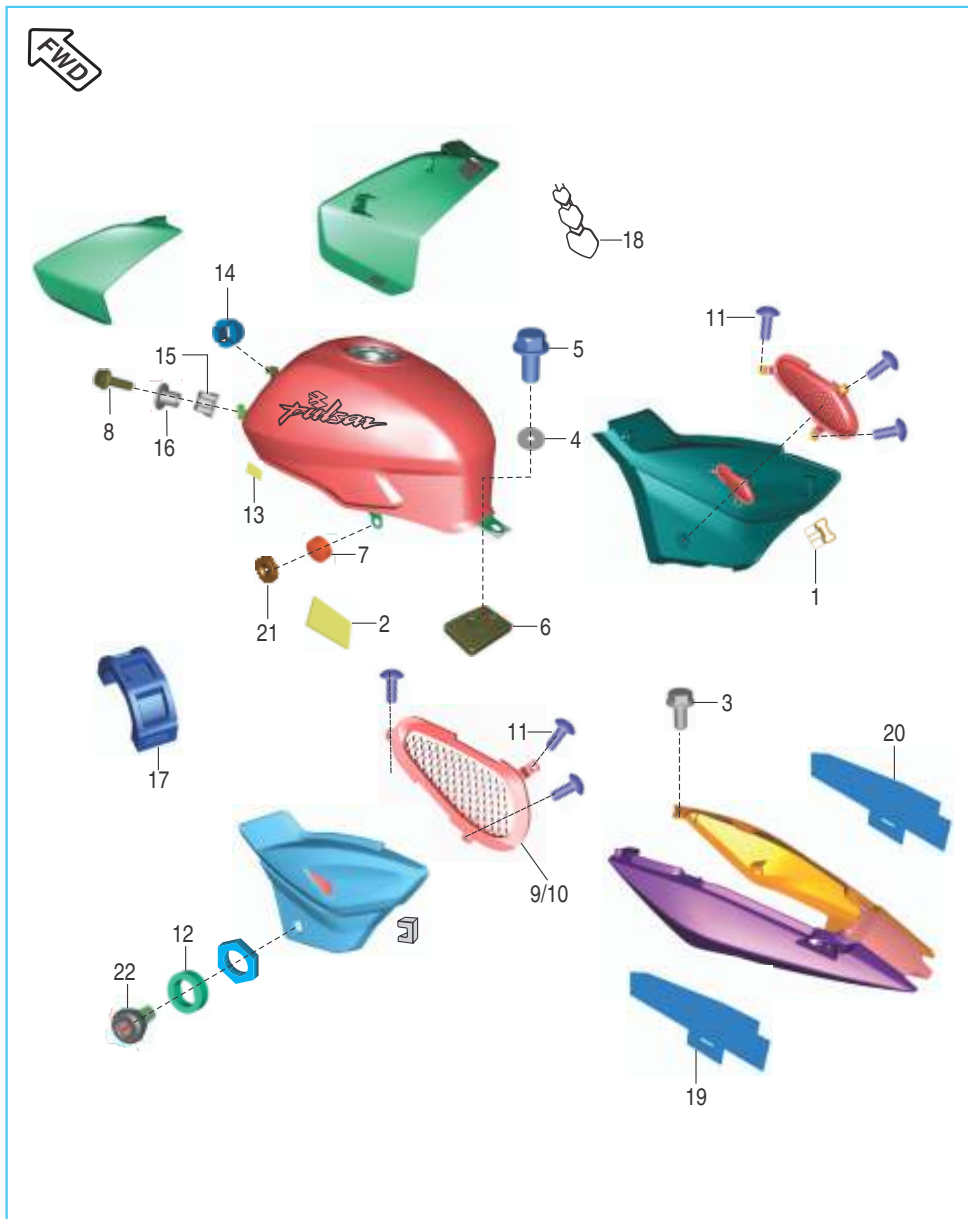
No.	Part No.	Description	Qty.	Remarks
1	DK 1810 87	Fork Assembly Front	1	
2	DK 1810 21	Inner Dust Seal	2	
3	DK 1810 19	Oil seal	2	
4	DK 1810 90	Outer Tube LH	1	
5	DK 1810 91	Outer Tube RH	1	
6	DK 1810 07	Copper Washer	2	
7	DK 1810 08	Bolt	2	
8	DK 1810 10	Seat Pipe	2	
9	DK 1810 92	Fork Pipe Spinning	2	
10	DK 1810 11	Slide Bush	2	
11	DK 1810 73	Spring Main Spring	2	
12	DK 1810 22	Bolt fork	2	
13	DK 1810 23	'O' ring	2	
14	DK 1810 93	Spacer Tube	2	
15	DK 1810 18	Washer Seal	2	
16	59 0400 05	Bolt	1	
17	56 DK33 Y9	Upper Bracket	1	
18	DG 1810 08	Socket Bolt	2	
19	JC 1810 23	Cushion Rubber	2	
20	JC 1810 22	Cover Trail B	4	
21	JC 1810 24	Lamp Shade asly.	1	
22	DG 1810 45	Bearing cone Upper	1	
23	DK 1810 24	Under Bracket Sub Assembly	1	
24	DK 1810 25	Spring washer	2	
25	DK 1810 28	Bolt	2	
26	DK 1810 20	Oil Seal Stopper	2	
27	DK 1810 17	Guide Bush	2	

Fuel Tank, Fuel Cock, Cap Tank & Fuel Gauge



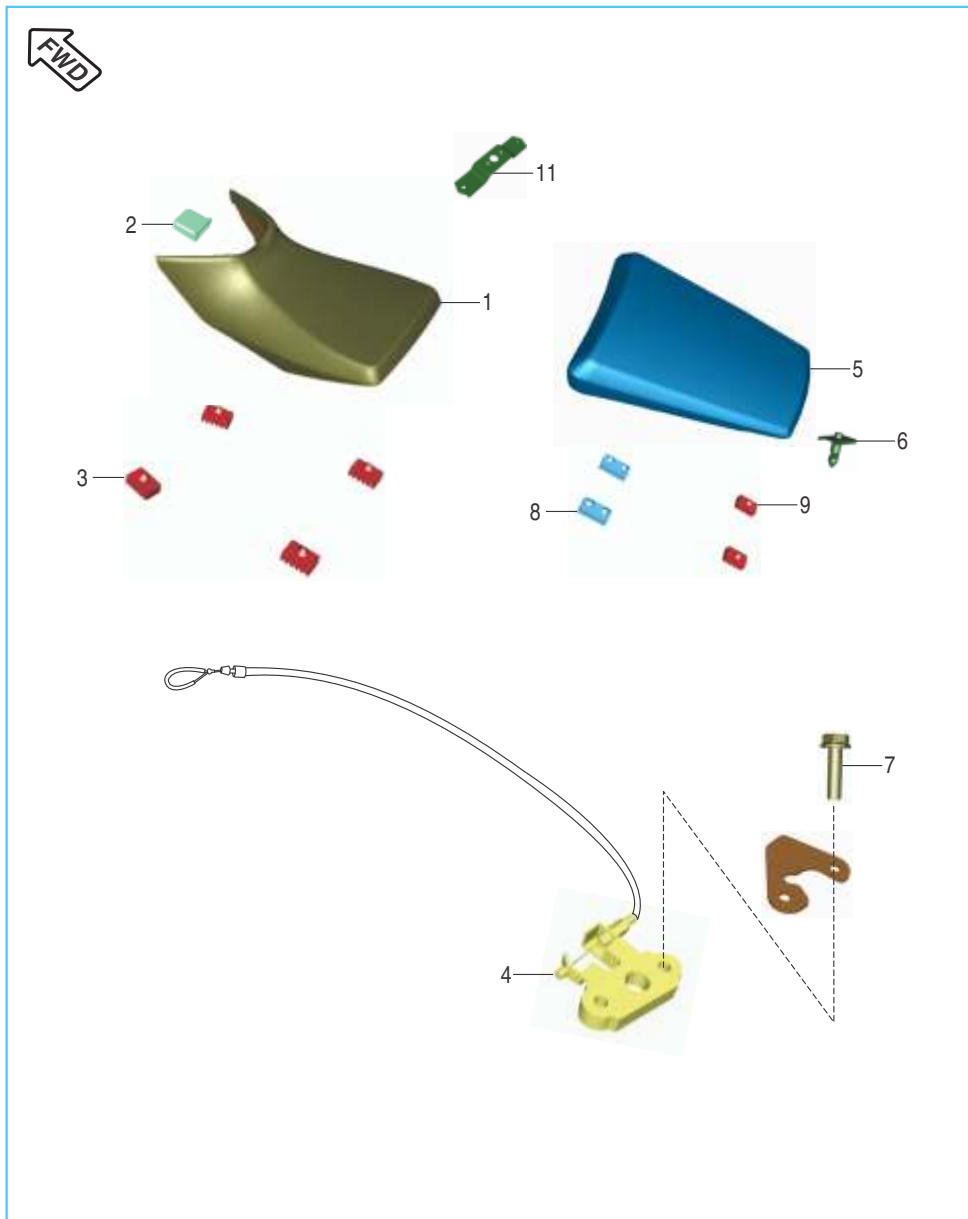
No.	Part No.	Description	Qty.	Remarks
1	DH 1811 30	Lock Set EVAP Single	1	
2	KA CA05 16	Hex. Socket HD Cap Bolt	7	
3	DJ 1410 56	Fuel Cock (Export Market)	1	
4	DD 1412 27	Bolt Flanged	2	
5	39 0740 11	Plain Washer	2	
6	DK 2010 65	Tank Unit	1	
7	39 2758 21	Gasket Fuel Gauge	1	
8	KC GA05 05	Nut Hex Flanged	4	
9	JC 1410 28	Tube Fuel	1	
10	BA 1220 03	Pipe Clip	1	
11	DH 1410 24	Drain Tube	1	
12	DK 1810 48	Clamp	1	
13	DH 1410 20	Seat Tape	1	
14	DJ 1410 72	Tube Tank To T Connector	1	

Fittings Petrol Tank Spoiler, Side Cover & Cover Seat



No.	Part No.	Description	Qty.	Remarks
1	DH 1611 33	Grommet Kit For Side Cover	2	
2	JW 1710 07	Dual Lock Tape 3M - SIZE 15 x 20	2	
3	39 1943 04	Bolt Flanged M6	2	
4	39 2424 11	Plain Washer	1	
5	39 1556 04	Flange Bolt	1	
6	DH 1410 23	Damper Rear	1	
7	DJ 1410 08	Damper Front	2	
8	39 1943 04	Flanged Bolt M6	2	
9	DK 1611 23	Cover Side Mesh LH	1	
10	DK 1611 24	Cover Side Mesh RH	1	
11	59 0200 01	Self Tap Screw	6	
12	31 1610 18	Damper	2	
13	JW 1710 07	Dual Lock Tape 3M - SIZE 15 x 20	2	
14	JC 1410 15	Grommet Tank Cover	2	
15	JC 1410 17	Grommet II Tank Cover	2	
16	JC 1410 16	Collar Tank Cover	2	
17	DK 1410 17	Damper Tank Middle	1	
18	DK 1410 15	Tank Pad	1	
19	DK 1611 71	Rubber Flap For Seat Cowl LH	1	
20	DK 1611 72	Rubber Flap For Seat Cowl RH	1	
21	DH 1611 58	Grommet Side Cover RR	4	
22	DH 1612 31	Lock Side Cover	1	

Seat Assembly & Seat Lock



No.	Part No.	Description	Qty.	Remarks
1	DK 2110 12	Seat Assembly Complete front	1	
2	DK 2110 07	Damper Seat Front	1	
3	DK 2110 09	Damper For Seat	4	
4	DH 1610 46	Lock Assembly Seat front	1	
5	DK 2110 14	Seat Assembly Comp rear	1	
6	DD 2110 03	Bracket Lock	1	
7	39 1955 04	Bolt flange	2	
8	DK 2110 04	Damper Rear Seat I	2	
9	DS 2110 09	Damper Rear Seat II	2	
10	DH 1612 33	Reinf. Seat Lock	1	
11	DK 1614 22	Bracket Seat Lock - Front Loose	1	

Speedometer Assembly



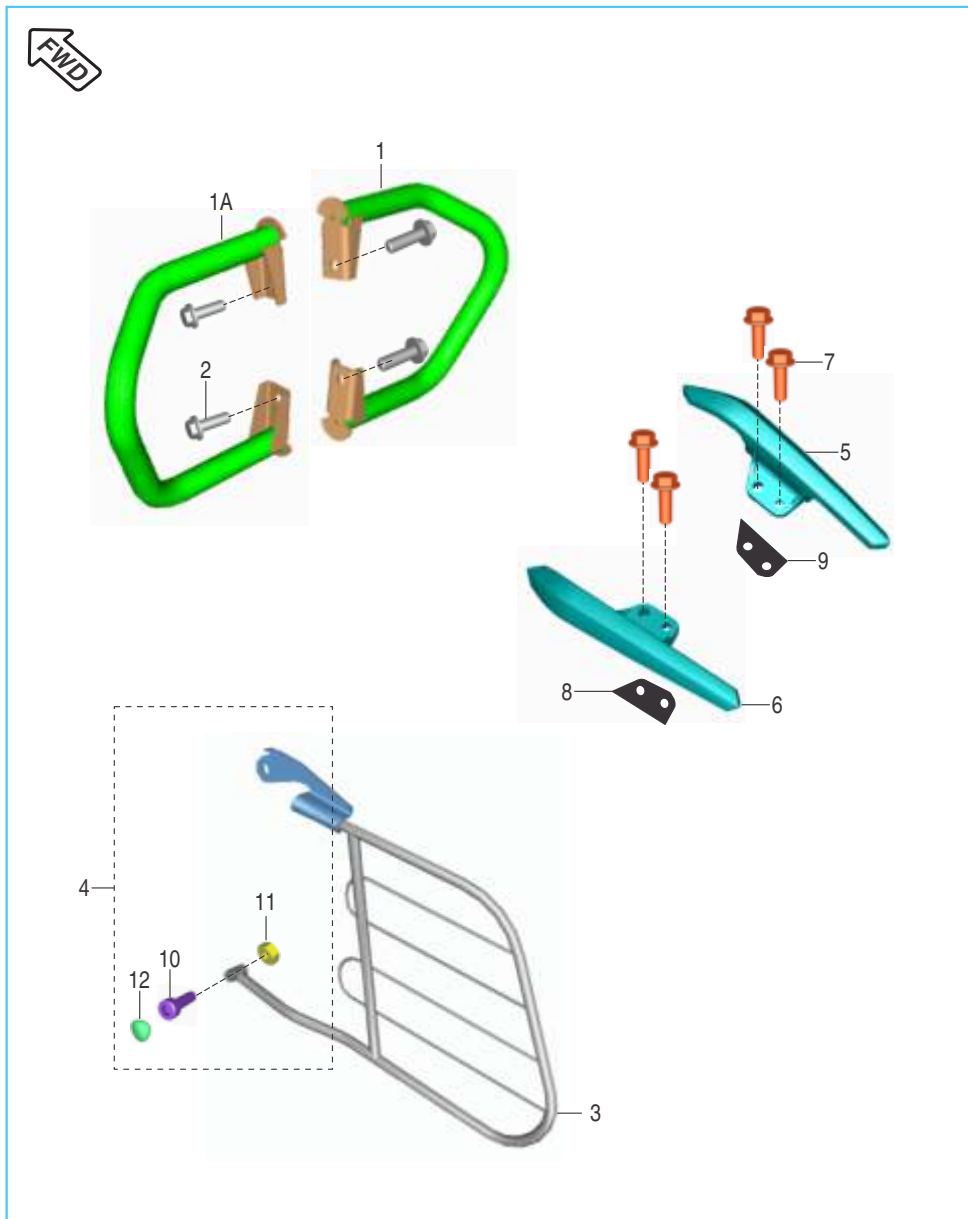
No.	Part No.	Description	Qty.	Remarks
1	DJ 1910 85	Speedometer Assembly	1	
2	39 1778 02	Self Tapping Screw	4	
3	DJ 1811 19	Speedo Meter Cover	1	
4	DJ 2011 74	Trip Meter Knob	1	
5	DK 1612 09	Tape I	4	
6	YD H190 02	Top Cover With Sealing Ring	1	
7	DJ 2011 37	Dust Cover - Speedo Harness Coupler	1	N.I.

Cables



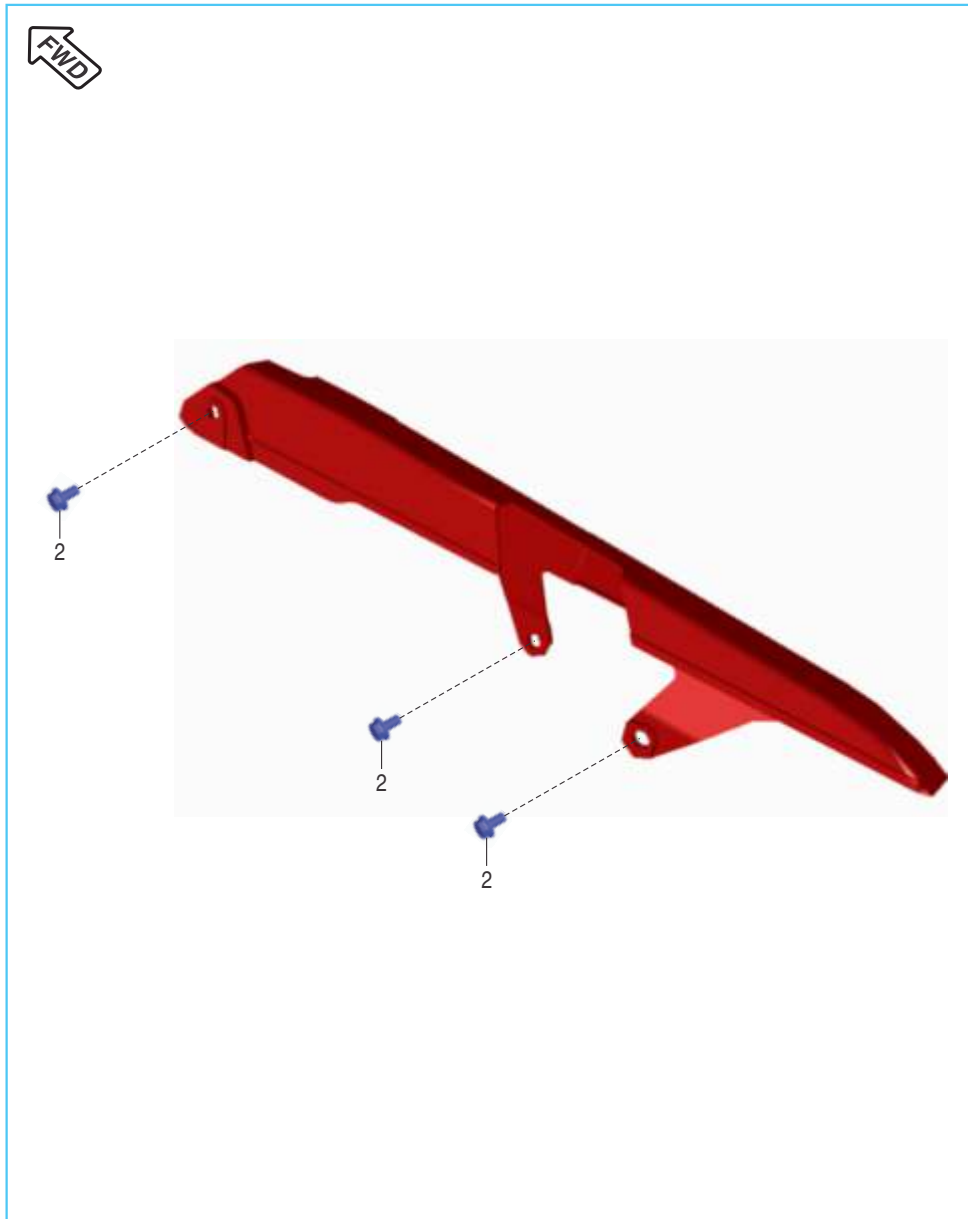
No.	Part No.	Description	Qty.	Remarks
1	DJ 1910 61	Cable Accelerator	1	
2	DJ 2012 18	Assembly Speedo Sensor With 'O' Ring	1	
	JC 2010 43	Assembly Speedo Sensor	1	
3	JC 1910 04	Cable Clutch	1	
4	59 2100 19	'O' Ring	1	

Leg Guards, Saree Guard & Grab Handle



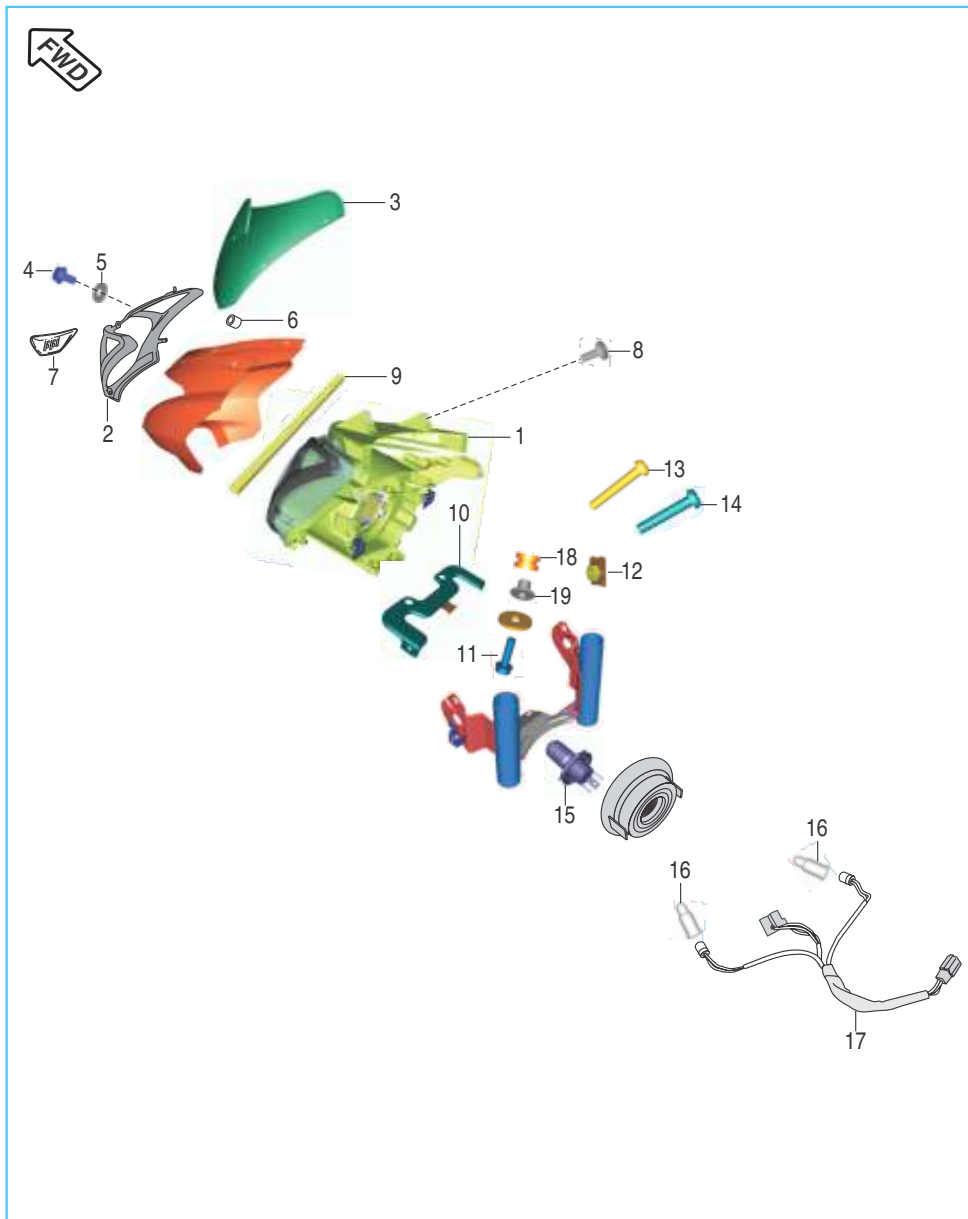
No.	Part No.	Description	Qty.	Remarks
1	DJ 2210 21	Leg Gaurd RH	1	
1A	DJ 2210 20	Leg Gaurd LH	1	
2	39 2310 04	Flange bolt	4	
3	DK 1611 76	Sari Guard Assly.	1	
4	36 DK00 23	Kit hardware saree guard	1	
5	DK 1612 17	Grab handle LH	1	
6	DK 1612 18	Grab handle RH	1	
7	39 1681 04	Bolt Flange	4	
8	DJ 1610 79	Foam LH For grab	1	
9	DJ 1610 80	Foam RH For grab	1	
10	39 1608 04	Hex Socket Hd Bolt - M10	1	
11	39 0296 15	Hexagon Nut - M10	1	
12	DD 2210 03	Plug	1	

Chain Case



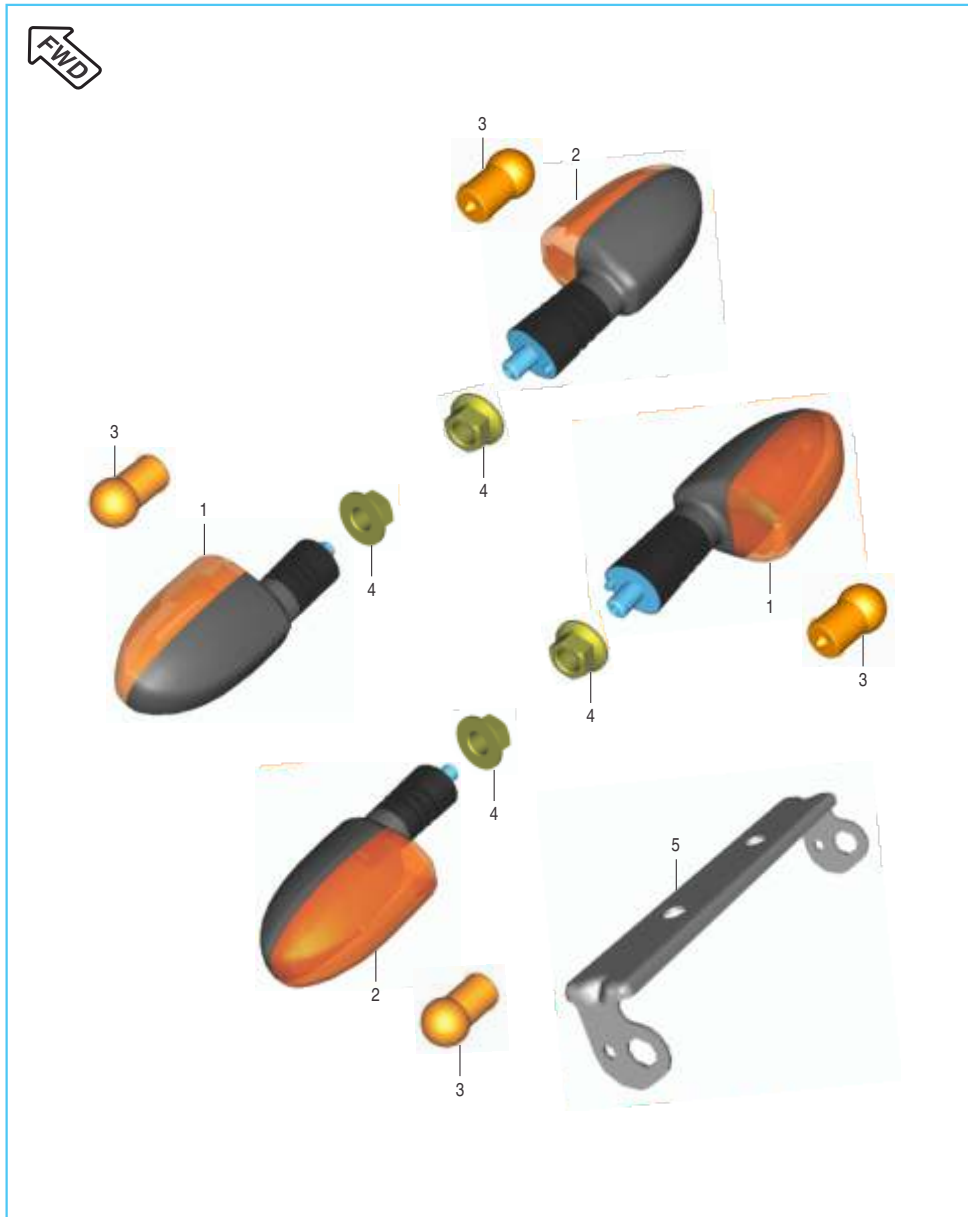
No.	Part No.	Description	Qty.	Remarks
1	DK 1612 50	Cover Chain Assembly	1	
2	39 1680 04	Bolt (Small)	3	

Head Lamp & Fairing



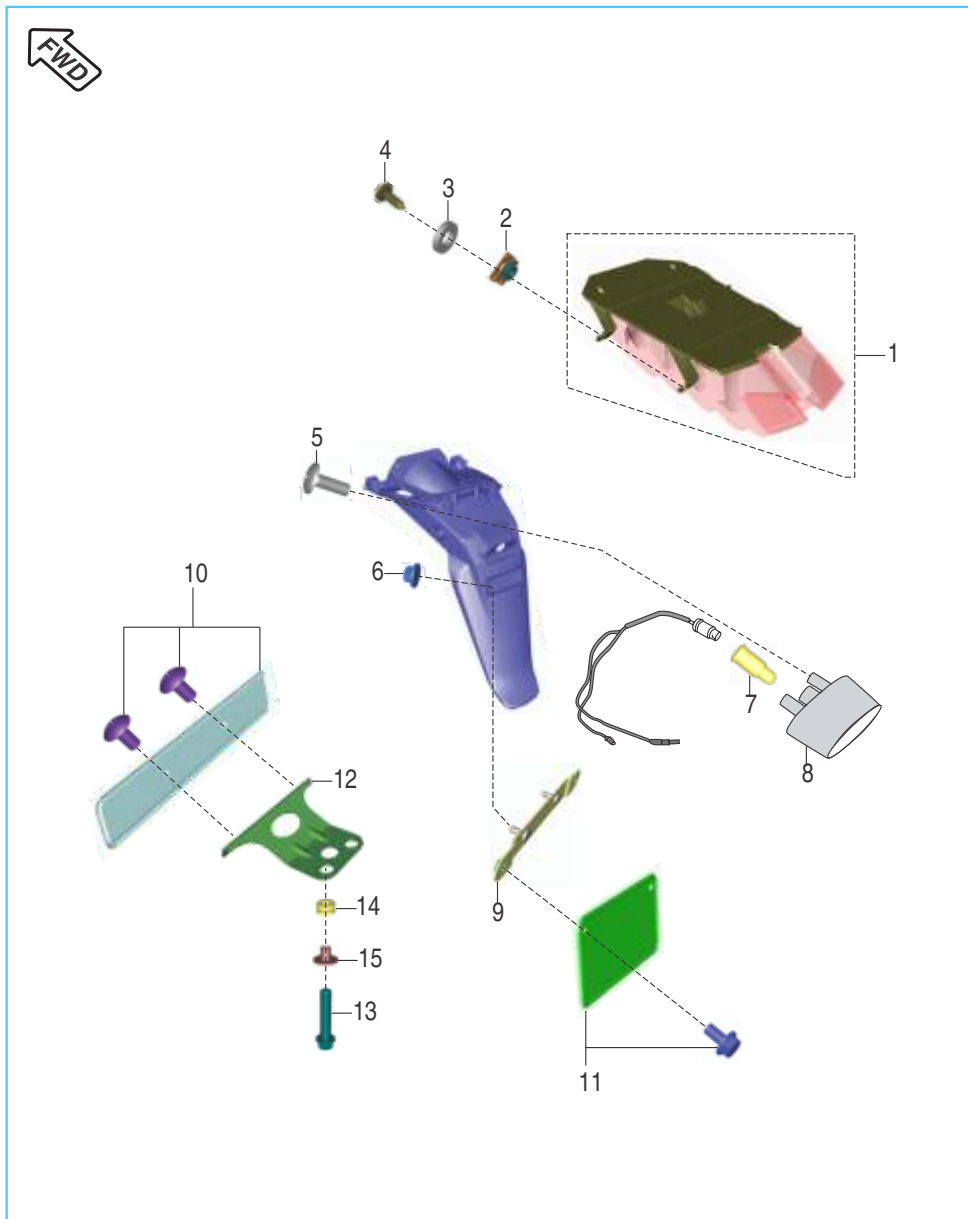
No.	Part No.	Description	Qty.	Remarks
1	DJ 2011 76	Head Lamp Without Bulb	1	
	YD H190 01	Head Lamp Without Bulb	1	
2	DJ 1811 20	Head Lamp Mask	1	
3	DJ 1810 33	Wind Shield	1	
4	DF 1810 98	Bolt	4	
5	39 2141 24	Washer Nylon	4	
6	DL 1810 10	Well Nut	4	
7	DJ 1810 37	Decal Wind Shield	1	
8	39 1907 01	Mushroom Head Screw	2	
9	DJ 1810 69	Packing Fairing	1	
10	DH 1810 52	Fairing Mounting Upper Bracket	1	
11	KA DD06 25	Bolt Flanged	2	
12	DJ 1810 65	Clip Nut	4	
13	DJ 1811 30	Screw Pan Cross	2	
14	39 1524 01	Screw Pan Cross	2	
15	CL 2010 23	Lamp 12V 35/35W-HS1	1	
16	DJ 2010 72	Lamp - Position 12V / 5W	2	
17	DJ 2012 30	Head Lamp Bulb Wiring Harness	1	
18	DJ 1810 64	Grommet Fairing Mounting	2	
19	30 2110 05	Collar Fairing Mounting	2	

Indicator Light Assembly



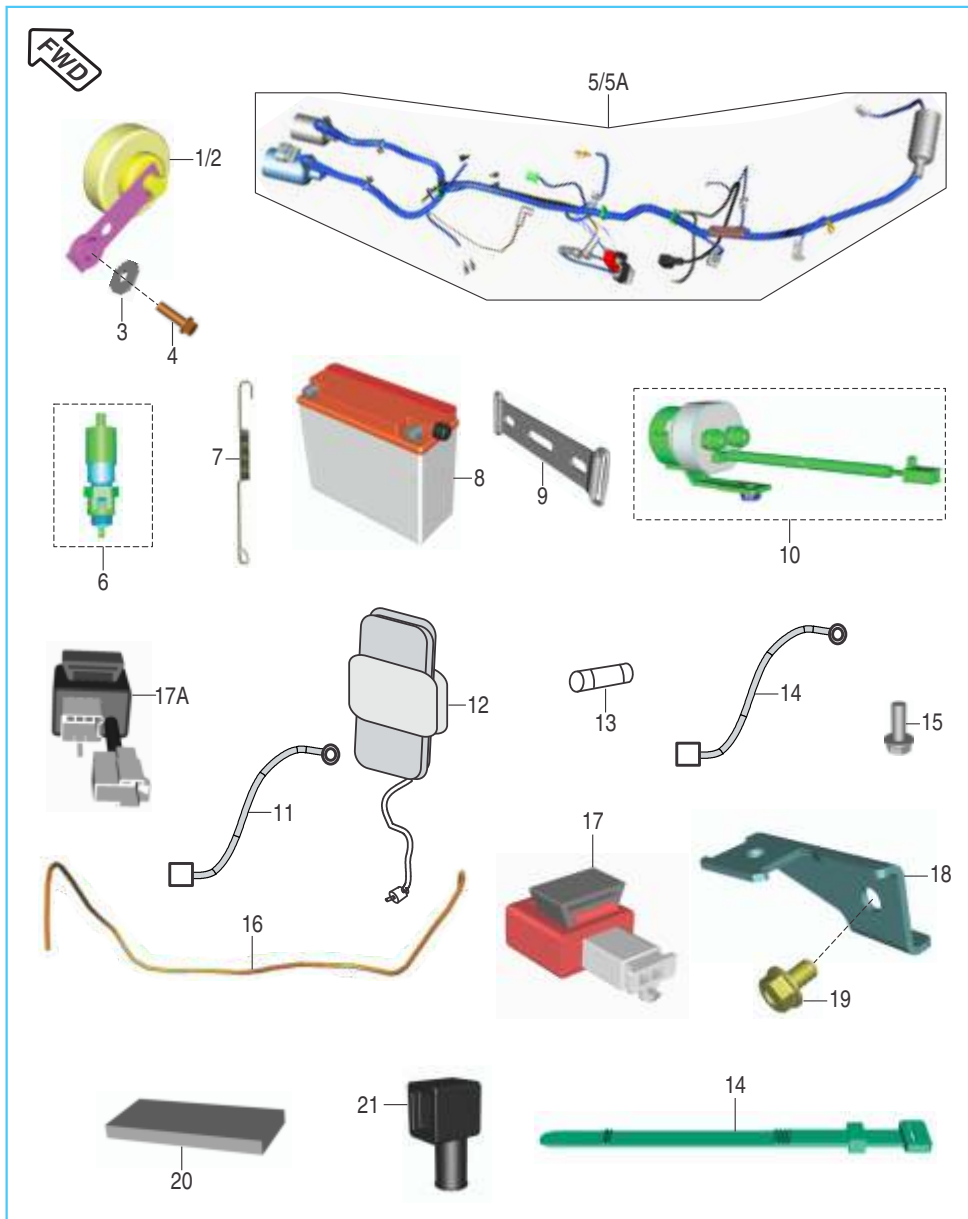
No.	Part No.	Description	Qty.	Remarks
1	DJ 2012 07	Blinker RR RH With 2P Coupler	2	
2	DJ 2012 06	Blinker RR LH With 2P Coupler	2	
3	GH 2010 12	Lamp 12V / 10W	4	
4	39 1225 15	Hex Nut Flange	4	
5	DK 1611 64	Indicator Mounting Bracket Rear	1	

Tail Lamp Assembly & Front / Rear Number Plate



No.	Part No.	Description	Qty.	Remarks
1	DK 2010 03	LED Tail Lamp Assembly	1	
2	DK 1611 53	Clip Nut	4	
3	39 2451 11	Plain Washer	4	
4	59 0100 13	Screw Pan Cross	4	
5	39 1907 01	Truss Screw	2	
6	39 1972 15	Nut Flange	2	
7	DJ 2010 72	Lamp 12V-5W	1	
8	JW 4010 11	Number Plate Illumination	1	
9	DJ 1610 72	Rear Number Plate Bracket	1	
10	36 DH40 96	Kit Front Number Plate	1	
11	36 PD00 56	Kit Rear Number Plate	1	
12	JC 1810 26	Number Plate Mounting Bracket	1	
13	KA DD06 25	Bolt Flange	2	
14	DH 1612 93	Grommet For Number Plate Mounting	2	
15	30 2110 05	Collar	2	

Electrical Equipments



No.	Part No.	Description	Qty.	Remarks
1	DK 2010 37	Horn With LH Stay	1	
2	DK 2010 38	Horn with RH stay	1	
3	39 1507 11	Plain Washer	1	
4	39 1956 04	Flange Bolt	1	
5	DJ 2012 60	Wiring Harness UG	1	
5A	DJ 2012 61	Wiring Harness UG	1	AHO Model
6	31 2010 79	Rear Brake Switch	1	
7	DK 1910 14	Spring Rear Brake Switch	1	
8	DJ 2011 25	Battery (12V-9A) MF WET	1	
9	DJ 1612 47	Band Battery	1	
10	DK 2010 78	Starter Relay With Nut	1	
11	DJ 2011 40	Cable Assembly (Battery To Earth)	1	
12	GF 2010 36	Fuse Box Assembly	1	
13	30 2010 85	Fuse 15A	2	
14	30 1910 48	Band	5	
15	39 1680 04	Flange bolt	1	
16	JC 2010 27	Cable Assembly St. Motor to St. Relay	1	
17	DS 2010 25	Assembly DC Flasher	1	
17A	JL 4020 04	Light Control Module	1	AHO Model
18	DJ 1613 27	Bracket LCM Unit (Vehicle without BCU)	1	
19	KA DF06 10	Flange Bolt (Vehicle without BCU)	1	
20	JG 4018 08	Foam Battery Bracket 35 x 15 x 3	3	
21	AB 2010 17	Cap (Battery)	1	



Tool Kit

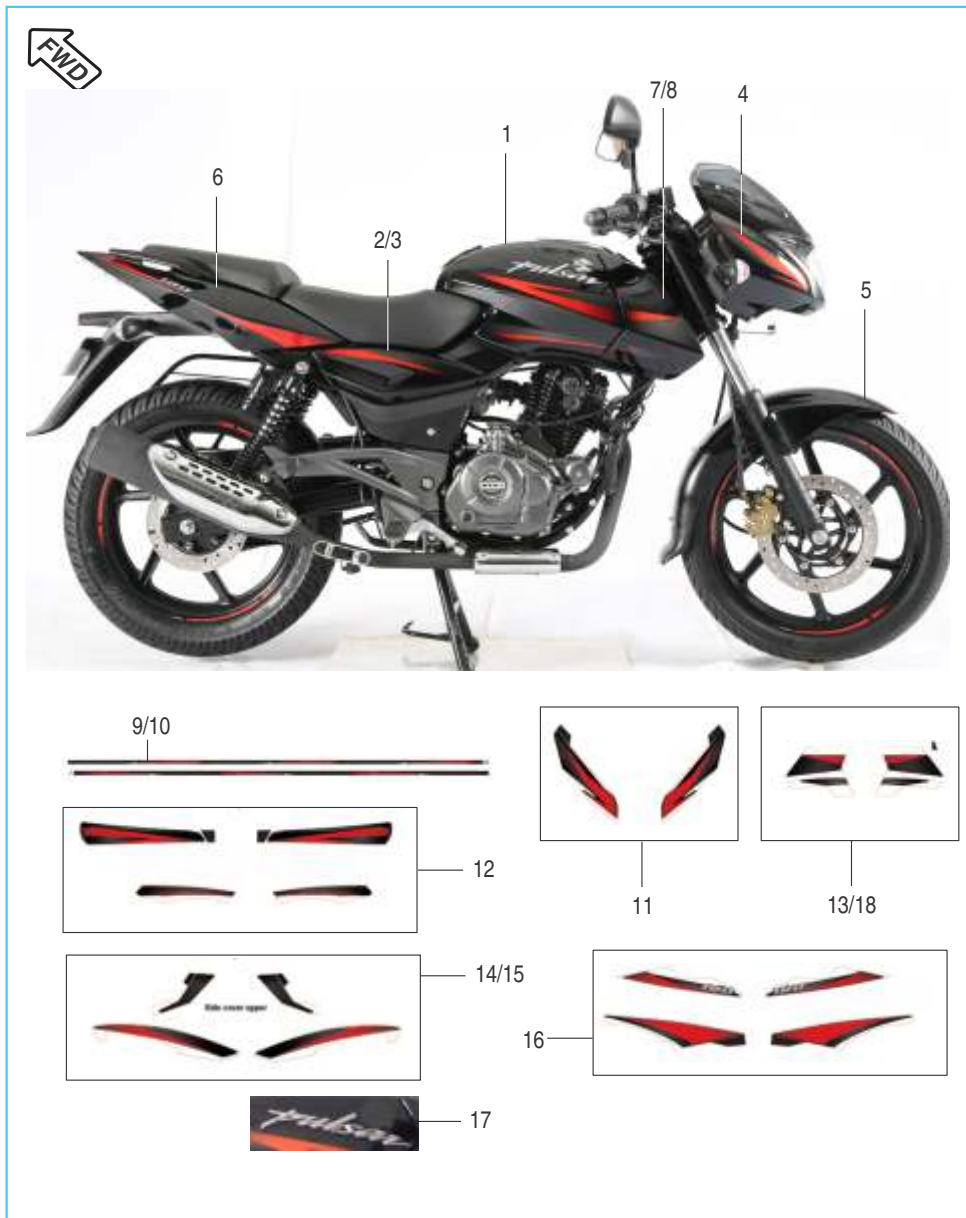
No.	Part No.	Description	Qty.	Remarks
1	DJ 2210 19	Tool Kit	1	
2	DK 2210 24	Band Tool Kit	2	

Painted Parts & Decals



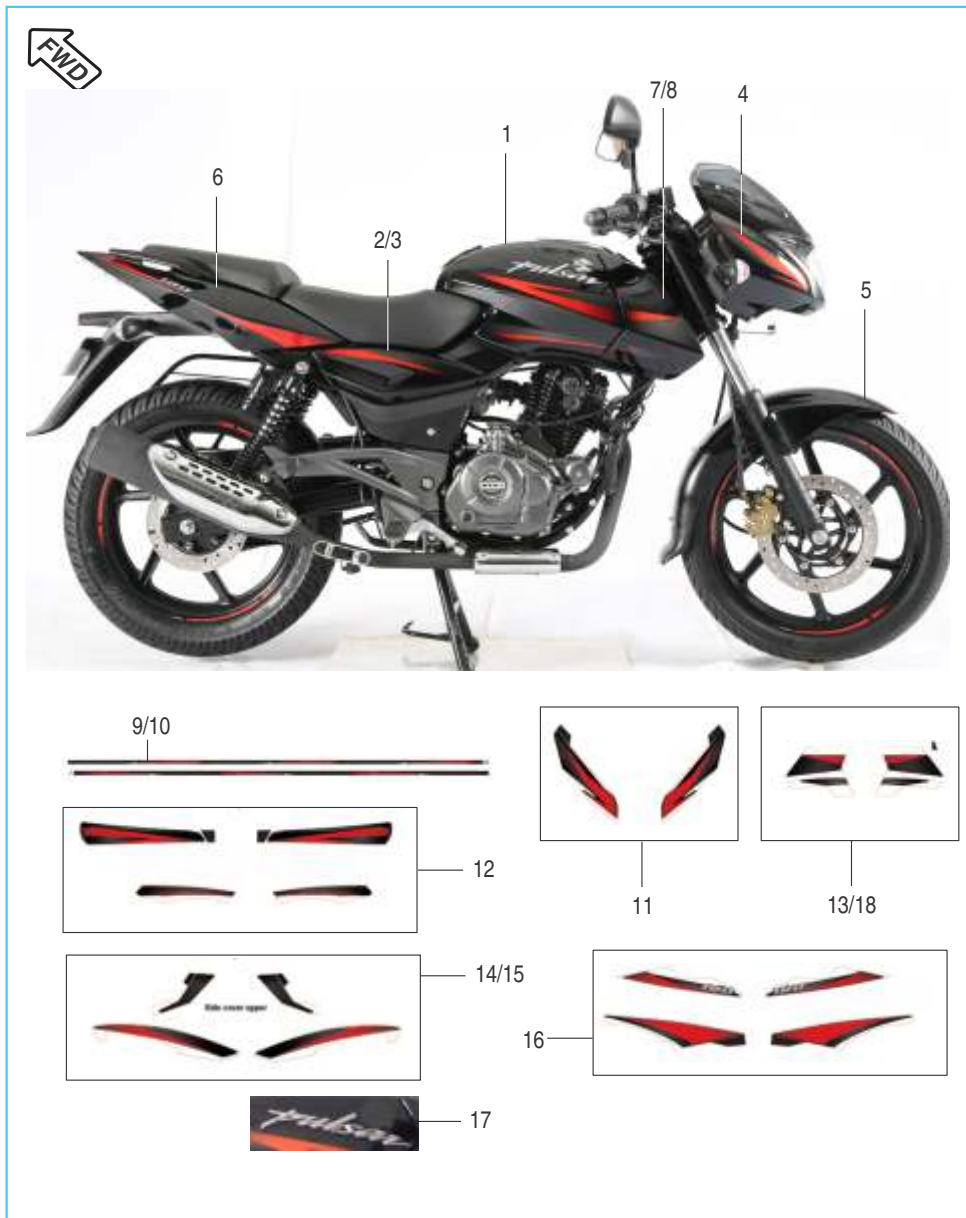
No.	Part No.	Description	Qty.	Remarks
1	52 DJ09 10	Fuel Tank Eb Blk + Dcl	1	
	52 DJ10 39	Fuel Tank BS IV Royal Blue + Decal + L	1	
	52 DJ10 95	Fuel Tank BS IV Eb Blk + New Decal	1	From April 17
	52 DJ11 19	Fuel Tank Passion Red With Decal	1	From April 17
	52 DJ10 96	Fuel Tank Royal Blue + New Decal	1	From April 17
2	52 DJ09 51	Assly Cover Side LH Eb Blk	1	
	52 DJ09 56	Assly Cover Side LH Royal Blue	1	
	52 DH15 27	Side Cover LH Asly Dcl Kh. Eb. Bl	1	From April 17
	52 DH15 99	Side Cover LH Assy Passion Red	1	From April 17
	52 DH15 28	Side Cover LH Assembly Decal Royal Blue	1	From April 17
3	52 DJ09 52	Assembly Cover Side RH Eb Blk	1	
	52 DJ09 57	Assembly Cover Side RH Royal Blue	1	
	52 DH15 29	Side Cover RH Wh Decal Khi Eb. Blk	1	From April 17
	52 DH16 00	Side Cover RH Assembly Passion Red	1	From April 17
	52 DH15 30	Side Cover RH With Decal Royal Blue	1	From April 17
4	52 DJ09 04	Fairing Ebony Black With Dcl	1	
	52 DJ09 42	Fairing Royal Blue + Dcl	1	
	52 DH15 31	Fairing With Khi Eb. Blk Dcl	1	From April 17
	52 DH16 01	Fairing With Decal Passion Red	1	From April 17
	52 DH15 32	Fairing With Royal Blue Decal	1	From April 17
5	52 DJ05 65	Front Fender Assly Ebony Black	1	
	56 DK05 7Q	Front Fender Royal Blue	1	
	56 DK05 4R	Painted Fender Front - Passion Red	1	From April 17
6	52 DJ09 09	Seat Cowl Ebony Black With Dcl	1	
	52 DJ09 45	Seat Cowl Royal Blue + Dcl	1	
	52 DJ10 74	Seat Cowl Ebony Black + New Dcal	1	From April 17
	52 DJ11 15	Seat Cowl Painted With Decal	1	From April 17
	52 DJ10 72	Seat Cowl Royal Blue + New Decal	1	From April 17

Painted Parts & Decals



No.	Part No.	Description	Qty.	Remarks
7	52 DJ09 05	Flap LH Ebony Black With Decal	1	
	52 DJ09 42	Fairing Royal Blue	1	
	52 DJ10 85	Flap LH Ebony Black + New Dcal	1	From April 17
	52 DJ11 17	Tank Flap LH + Decal - Passion Red	1	From April 17
	52 DJ10 89	Flap LH Royal Blue + New Decal	1	From April 17
	52 DJ09 43	Flap LH Royal Blue + Dcl	1	
	DH 0101 85	Decal Tank Spoiler LH Blk - Silver	1	From April 17
	DH 0102 19	Decal Spoiler Tank LH Red - Silver	1	From April 17
	DH 0102 01	Decal Tank Spoiler LH Blue - Silver	1	From April 17
8	52 DJ09 06	Flap RH Ebony Black With Decal	1	
	52 DJ10 87	Flap RH Ebony Black + New Dcal	1	From April 17
	52 DJ11 18	Tank Flap RH + Decal - Passion Red	1	From April 17
	52 DJ10 91	Flap RH Royal Blue + New Decal	1	From April 17
	DH 0101 86	Decal Tank Spoiler RH Blk - Silver	1	From April 17
	DH 0102 20	Decal Tank Spoiler RH Red - Silver	1	From April 17
9	DH 0101 20	Decal Wheel LH-Red	2	
	DH 0101 42	Decal Wheel LH-Blue	2	
	DH 0102 09	Decal Wheel LH Silver	2	From April 17
10	DH 0101 21	Decal Wheel RH-Red	2	
	DH 0101 43	Decal Wheel RH-Blue	2	
	DH 0102 10	Decal Wheel RH Silver	2	From April 17
11	36 DJ40 63	Kit Fairing Decal Red	1	
	36 DJ40 69	Kit Fairing Decal Royal Blue	1	
	36 DJ40 75	Kit Decal Fairing Ebony Black	1	From April 17
	36 DH41 25	Kit Decal Fairing Passion Red	1	From April 17
	36 DJ40 78	Kit Decal Fairing Royal Blue	1	From April 17

Painted Parts & Decals



No.	Part No.	Description	Qty.	Remarks
12	36 DJ40 64	Kit Tank Decal Red	1	
	36 DJ40 68	Kit Tank Decal Royal Blue	1	
	36 DJ40 76	Kit Decal Tank Ebony Black	1	From April 17
	36 DH41 26	Kit Decal Tank Passion Red	1	From April 17
	36 DJ40 79	Kit Decal Tank Royal Blue	1	From April 17
13	36 DJ40 70	Kit Tank Flap RH Royal Blue	1	
	36 DJ40 71	Kit Tank Flap LH Royal Blue	1	
	DH 0101 08	Decal Tank Flap Upper Red LH	1	
	DH 0101 09	Decal Tank Flap Upper Red RH	1	
14	36 DJ40 65	Kit LH Side Cover Decal Red	1	
	36 DK01 25	Kit LH Side Cover Decal Royal Blue	1	
	36 DK01 37	Kit Decal Side Cover LH Ebony Black	1	From April 17
	36 DH41 28	Kit Decal Side Cover LH Passion Red	1	From April 17
	36 DK01 39	Kit Decal Side Cover LH Royal Blue	1	From April 17
15	36 DJ40 66	Kit RH Side Cover Decal Red	1	
	36 DK01 26	Kit RH Side Cover Decal Royal Blue	1	
	36 DK01 38	Kit Decal Side Cover RH Ebony Black	1	From April 17
	36 DH41 29	Kit Decal Side Cover RH Passion Red	1	From April 17
	36 DK01 40	Kit Decal Side Cover RH Royal Blue	1	From April 17
16	36 DJ40 67	Kit Seat Cowl Decal Red	1	
	36 DJ40 72	Kit Seat Cowl Royal Blue	1	
	36 DJ40 77	Kit Decal Seat Cowl Ebony Black	1	From April 17
	36 DJ40 83	Kit Decal Seat Cowl Passion Red	1	From April 17
	36 DJ40 81	Kit Decal Seat Cowl Royal Blue	1	From April 17
17	DJ 1614 16	Tank Decal 'Pulsar'	2	
18	DH 0102 00	Decal Tank Lower RH Blue Silver	1	From April 17

Consumable Parts



No.	Part No.	Description	Supply Unit	Application
1	36 0010 61 83 0204 11 83 0203 34	Bajaj Genuine Oil 10W50 Bajaj Genuine Oil 10W30 Bajaj Genuine Oil 20W50 (BGO to be ordered to HPCL)	1.5 Ltr. 1 Ltr. 1 Ltr.	Dominar 400 100cc Models 125cc and above models
2	36 0010 58	Bajaj Coolant Koolex	1 Ltr.	Coolant Top-up/Replace
3	36 DH40 61 83 0203 25	Brake Fluid DOT4 Brake Fluid DOT3	100 ml 100 ml	Disc Brake Top-up/Replace Disc Brake Top-up/Replace
4	36 0010 52	Silicon grease	3 gm	Caliper Pin
5	83 0204 73 83 0203 68	Grease Petamo GHY 441 Grease Molycoat	3 gm 200 gm	Water Pump Seals For Starter Clutch Lubrication
6	36 0010 52	HP Lithon RR Grease	10 gm	Steering Race
7	83 0201 73	Multi Purpose Grease (Local Purchase)	--	Lubrication of Clutch Lever, Brake Lever, Brake Pedal & Side Stand
8	36 0010 55	Chain Lubricant HP Make	1 kg	Non - Sealed Chain Lubrication
9	36 0010 62	Liquid gasket L5910	50 ml	Crankcase Joining
10	36 3140 04	Fork oil	160 ml	Front Fork Top-up/Replace\
11	36 DH40 29	Kit Spray Chain Lub	100 ml	Sealed Drive Chain
12	36 DH40 71	Wonderfill Chain Spray	100 ml	Sealed Drive Chain

Consumable Parts

13		14		15	
16		17		18	
19		20		21	
22		23		24	

No.	Part No.	Description	Supply Unit	Application
13	36 DH40 72	Rust Remover Spray Make - Zorric 88 & Wonder fill easiner	100 ml	For Removing Rust from Components
14	76 0109 36	Loctite Thread locker 243	50 ml	For Screws & Bolts
15	76 0109 37	Loctite retaining compound 638	50 ml	For Screws & Bolts
16	37 0043 52	Touch up paint slate grey	440 ml	Touch up of Frame, Swing Arm & Step Holder
17	37 0043 53	Touch up paint Matte Silk black	440 ml	Touch up of Grab Handle, Handle Bar & Handle Holder
18	36 0010 60	Kibatsu touch up paint	400 cc	Touch up of Cylinder head, Block & Alloy Wheels
19	37 2240 18	Paint Bottle Schwartz Black	--	P-200NS Frame Touch-up
20	75 6802 36 NA	Petroleum Jelly (Local Purchase) Distilled Water (Local Purchase)	-- 1 Ltr.	For Battery Terminals For Battery Level Top-up
21	NA	SAE 90 oil (Local Purchase)	-	
22	62 3050 84	WD40 Spray (Local Purchase)	400 ml	Electrical Contact Cleaning Spray
23	36 0010 56	Carburetor Cleaning Spray		For Cleaning Carburetor
24	37 2540 39	Corrosion Protection Spray Proto quick LTP902 (To be ordered on Vendor)	--	For Preventing vehicle parts from rusting

Kit List

Sr No	Kit Part No.	Kit Description	Consisting of Following Parts		
			Part No.	Description	Qty/Kit
1	36DS1001	Cyl.Head O Ring Kit	39239121	O Ring (Cover tappet)	2
			39128321	O ring	2
2	36DJ1004	Valve Kit	DJ101124	Valve Intake	1
			DJ101125	Valve Exhaust	1
3	DK101326	Valve Repair Kit	DK101247	Retainer valve spring	2
			DK101108	Spring valve inner	2
			DK101110	Spring valve outer	2
			DK101246	Seat valve spring	2
4	36DK0039	Guide Chain Kit	DH101017	Guide chain (Tight)	1
			DK101059	Guide Chain (slack)	1
5	36DK0038	Set primary drive & driven	DH101628	Gear primary drive	1
			DK101561	Clutch Housing	1
6	36DH4019	Kit centrifugal oil filter	39220011	Washer	1
			DH101234	Gasket centrifugal oil filter	1
			DH101640	Oval screw	1
			Dh101066	Join oil dealivery	1
			DH101067	Spring oil delivery	1
			39219908	Pin oil delivery joint	1
10	36DH1007	Set of Plate	DH101283	Plate Damper	1
			DH101293	Plate Damper Cover LH RR	1
11	36DH4010	Kit hardware air cleaner	DH121020	Bracket lock	1
			01110609	Plain washer	1
			39178001	Screw pan cross	1
			39177304	Bolt flange	4
			31121043	Coller	3
			39071111	Plain washer	3
12	36DK0015	Kit element air filter	DK121002	Element air filter fine	1
			DK121003	Element air filter coarse	1
13	36DH4011	Kit hardware shield	DH101301	Seal shield muflar	2
			DH101395	Trust screw	2
			DH101481	Grommet shield	1
14	36DK0009	Kit hardware silencer	39185004	Flange bolt	1
			39242511	Plain washer	1
			DD161071	U nut	1

Kit List

Sr No	Kit Part No.	Kit Description	Consisting of Following Parts		
			Part No.	Description	Qty/Kit
15	36DK0011	Kit hardware engine mounting	DH161155	Damper silencer	1
			DH161157	Tube silencer mounting	1
			39231204	Bolt flange	4
			39197015	Nut flange	8
			39241304	Bolt flange	1
18	36DK0013	Kit hardware pillion	DH161245	U Nut	3
			DJ161186	Plait side pillion stape	2
			DH161061	Pin pillion set	2
19	36JC0007	Kit lever brake	30141031	"O" ring	2
			39104011	Plain washer	2
			39078408	Split pin	2
			01170122	"O" ring	1
			JC151006	Indicator	1
			JC151007	Lever brake	1
20	36DK0036	Chain sprocket kit	39244704	Hex. head bold	1
			39079815	Nut	1
			DJ151110	Sprocket (36 teeth)	1
			DK151010	Chain	1
23	36JC0006	Kit hardware rod bracket	DV101048	Sprocket Drive	1
			30191038	Pin	1
			39019811	Plain washer	1
			39080808	Split pin	1
			JC191008	Spring	1
24	36DK0018	Kit hardware rod torque	JC191006	Pin	1
			JC191007	Brake adjustment nut	1
			39078912	Spring washer	2
			39069415	Nut lock	2
			39080708	Pin snap	2
25	36DK0019	Kit hardware holder LH	39154011	Plain washer	1
			30191024	Screw	1
			30191017	Nut	1
			39021911	Plain washer	1
			39072504	Hex bold	1
26	36DH1601	Grommet kit for side cover	DH161158	Grommet side cover	4

Kit List

Sr No	Kit Part No.	Kit Description	Consisting of Following Parts		
			Part No.	Description	Qty/Kit
27	36DH4020	Kit hardware mounting bracket	DH161133	Grommet side cover rear	2
			DJ181029	Collar faring mounting	6
			DJ181064	Grommet fearing mounting	6
			39021111	Plain washer	4
			39155204	Flange bolt	4
36DJ4068	KIT TANK DCL R BLUE K2		DH010126	DECAL TANK UPPER LH BLUE	1
			DH010128	DECAL TANK LOWER LH BLUE	1
			DH010127	DECAL TANK UPPER RH BLUE	1
			DH010129	DECAL TANK LOWER RH BLUE	1
36DJ4069	KIT FAIRING DCL R BLUE K2		DH010124	DECAL FAIRING LH BLUE	1
			DH010125	DECAL FAIRING RH BLUE	1
36PD0030	KIT FRICTION PLATE-A101		DK101566	CLUTCH FRICTION DISK (CFD)	4
			PD551419	DISK C FRICTION CLUTCH	1
			DK101568	CLUTCH FRICTION DISK-B	1
36JG0011	KIT STEERING HEAD BEARING		DK181050	CAGE BEARING STEERING TOP	1
			DG181045	BEARING CONE :- UPPER	1
			DG181005	BEARING CONE	1
			DG181003	WASHER	1
			DG181004	SEAL - OIL	1
			DK181051	CAGE BEARING STEERING BOTTOM	1
			DG181047	BEARING RACE - LOWER	1
			DG181046	BEARING RACE - UPPER	1
36DJ4070	KIT TANK FLAP RH R BLUE K2		DH010131	DECAL FLAP TANK UPPER RH BLUE	1
			DH010133	DECAL FLAP TANK LOWER RH BLUE	1
36DJ4071	KIT TANK FLAP LH R BLUE K2		DH010132	DECAL FLAP TANK LOWER LH BLUE	1
			DH010130	DECAL FLAP TANK UPPER LH BLUE	1

Kit List

Sr No	Kit Part No.	Kit Description	Consisting of Following Parts		
			Part No.	Description	Qty/Kit
36DJ4072	KIT S COWL R BLUE K2		DJ010104	DECAL SEAT COWL UPPER LH BLUE	1
			DJ010105	DECAL SEAT COWL UPPER RH BLUE	1
			DH010139	DECAL SEAT COWL LOWER RH BLUE	1
			DH010138	DECAL SEAT COWL LOWER LH BLUE	1
36DJ4063	FAIRING DCL RED		DH010102	DECAL FAIRING BLACK LH	1
			DH010103	DECAL FAIRING BLACK RH	1
36DJ4064	TANK DCL RED		DH010104	DECAL TANK UPPER BLACK LH	1
			DH010105	DECAL TANK UPPER BLACK RH	1
			DH010106	DECAL TANK LOWER BLACK LH	1
			DH010107	DECAL TANK LOWER BLACK RH	1
36DJ4065	LH SIDE C DCL RED		DH010112	DECAL COVER SIDE UPPER BLACK LH	1
			DH010114	DECAL COVER SIDE LOWER BLACK LH	1
36DJ4066	RH SIDE C DCL RED		DH010115	DECAL COVER SIDE LOWER BLACK RH	1
			DH010113	DECAL COVER SIDE UPPER BLACK RH	1
36DJ4067	S COWL DCL RED		DH010116	DECAL COWL SEAT LOWER BLACK LH	1
			DH010117	DECAL COWL SEAT LOWER BLACK RH	1
			DJ010102	DECAL COWL SEAT UPPER BLACK LH	1
			DJ010103	DECAL COWL SEAT UPPER BLACK RH	1
36DJ4062	CYL HEAD WITH COVER SAI-K2		DJ101367	COVER COMPLETE CYLINDER HEAD	1
			DJ101708	CYLINDER HEAD COMP _SAI	1

AMENDMENT SHEET (PARTS ADDED)					
SR. NO.	PART NUMBER	DESCRIPTION	QTY.	PAGE NO.	FIGURE NO.

AMENDMENT SHEET (PARTS DELETED)					
SR. NO.	PART NUMBER	DESCRIPTION	QTY.	PAGE NO.	FIGURE NO.

Parts Index

Part Number	Figure No.	Page No.
22 1504 51	19	54
30 1410 31	12	54
30 1410 31	22	54
30 1510 82	12	68
30 1611 57	2	58
30 1910 17	13	76
30 1910 48	14	102
30 2010 85	13	102
30 2110 05	19	96
30 2110 05	15	100
31 1011 06	16	26
31 1011 73	4	14
31 1210 06	9	12
31 1610 18	12	84
31 2010 79	2	74
31 2010 79	6	102
33 1410 08	3	4
36 DH19 02	15	64
36 DH40 10	2	40
36 DH40 11	3	38
36 DH40 19	13	14
36 DH40 30	3	10
36 DH40 48	1	64
36 DH40 96	10	100
36 DH41 25	11	108
36 DH41 26	12	110
36 DH41 28	14	110
36 DH41 29	15	110
36 DJ10 04	7	8
36 DJ40 82	1	28

Part Number	Figure No.	Page No.
36 DJ40 31	1	64
36 DJ40 32	9	66
36 DJ40 33	10	66
36 DJ40 63	11	108
36 DJ40 64	12	110
36 DJ40 65	14	110
36 DJ40 66	15	110
36 DJ40 67	16	110
36 DJ40 68	12	110
36 DJ40 69	11	108
36 DJ40 70	13	110
36 DJ40 71	13	110
36 DJ40 72	16	110
36 DJ40 75	11	108
36 DJ40 76	12	110
36 DJ40 77	16	110
36 DJ40 78	11	108
36 DJ40 79	12	110
36 DJ40 81	16	110
36 DJ40 83	16	110
36 DK00 09	6	38
36 DK00 13	6	54
36 DK00 13	15	54
36 DK00 23	4	92
36 DK00 36	4	68
36 DK00 38	9	14
36 DK00 65	9	66
36 DK00 66	10	66
36 DK00 67	14	72
36 DK00 68	16	72

Parts Index

Part Number	Figure No.	Page No.
36 DK00 69	2	72
36 DK00 70	2A	72
36 DK00 71	4	72
36 DK01 25	14	110
36 DK01 26	15	110
36 DK01 37	14	110
36 DK01 38	15	110
36 DK01 39	14	110
36 DK01 40	15	110
36 DS10 01	1	6
36 DU19 01	12	76
36 JG00 11	5	48
36 PD00 30	2	32
36 PD00 56	11	100
39 0292 15	8	54
39 0296 15	11	92
39 0422 15	10	58
39 0711 11	7	56
39 0714 11	17	52
39 0740 11	5	82
39 0752 01	6	26
39 0784 08	21	54
39 0787 08	3	58
39 0798 15	8	56
39 0963 15	18	54
39 0972 04	10	46
39 0999 06	11	28
39 0999 06	5	30
39 1040 11	15	50
39 1041 19	4	28

Part Number	Figure No.	Page No.
39 1069 01	7	54
39 1075 04	9	2
39 1180 11	27	78
39 1184 15	11	76
39 1224 11	13	52
39 1225 15	4	98
39 1507 11	3	102
39 1524 01	14	96
39 1556 04	5	84
39 1608 04	10	92
39 1620 11	9	18
39 1660 05	2	6
39 1672 04	3	18
39 1672 04	6	56
39 1673 04	10	10
39 1674 04	9	6
39 1674 04	11	18
39 1674 04	2	34
39 1677 04	20	26
39 1680 04	10	56
39 1680 04	25	78
39 1680 04	2	94
39 1680 04	15	102
39 1681 04	7	92
39 1686 06	8	18
39 1686 06	4	34
39 1689 04	11	12
39 1714 04	9	54
39 1778 02	2	88
39 1780 01	13	40

Parts Index

Part Number	Figure No.	Page No.
39 1829 12	3	52
39 1845 04	11	24
39 1907 01	8	96
39 1907 01	5	100
39 1931 20	6	14
39 1940 04	19	26
39 1943 04	3	84
39 1943 04	8	84
39 1944 04	10	44
39 1944 04	18	44
39 1955 04	7	86
39 1956 04	4	102
39 1967 04	10	50
39 1970 15	5	38
39 1972 15	6	100
39 1990 20	20	28
39 1997 15	14	52
39 1997 15	9	68
39 1998 19	11	22
39 2017 19	5	8
39 2038 04	17	68
39 2060 04	12	58
39 2121 04	2	66
39 2132 17	5	12
39 2141 24	5	96
39 2152 20	5	18
39 2157 04	7	50
39 2158 11	2	16
39 2159 11	13	16
39 2160 11	9	16

Part Number	Figure No.	Page No.
39 2165 11	3	14
39 2166 11	11	16
39 2180 06	8	24
39 2181 06	2	12
39 2181 06	24	26
39 2188 19	4	26
39 2190 19	11	26
39 2194 21	6	34
39 2199 08	17	14
39 2200 11	15	32
39 2203 07	8	14
39 2310 04	13	50
39 2310 04	3	70
39 2310 04	2	92
39 2312 04	4	50
39 2366 15	16	52
39 2383 15	17	22
39 2391 21	3	2
39 2412 04	8	50
39 2424 11	4	84
39 2427 04	23	78
39 2440 11	9	8
39 2443 11	18	28
39 2448 11	12	12
39 2451 11	3	100
39 2453 04	6	22
39 2481 04	5	70
39 2532 04	8	2
39 2539 21	6	6
39 2557 17	7	18

Parts Index

Part Number	Figure No.	Page No.
39 2583 20	6	24
39 2601 20	9	24
39 2603 20	7	26
39 2606 07	7	20
39 2608 01	11	6
39 2617 20	9	32
39 2639 04	6	20
39 2647 15	6	2
39 2758 21	7	82
52 DH01 69	1	34
52 DH01 77	10	18
52 DH13 17	1	30
52 DH15 27	2	106
52 DH15 28	2	106
52 DH15 29	3	106
52 DH15 30	3	106
52 DH15 31	4	106
52 DH15 32	4	106
52 DH15 99	2	106
52 DH16 00	3	106
52 DH16 01	4	106
52 DJ05 65	5	106
52 DJ09 04	4	106
52 DJ09 05	7	108
52 DJ09 06	8	108
52 DJ09 09	6	106
52 DJ09 10	1	106
52 DJ09 42	4	106
52 DJ09 42	7	108
52 DJ09 43	8	108

Part Number	Figure No.	Page No.
52 DJ09 45	6	106
52 DJ09 51	2	106
52 DJ09 52	3	106
52 DJ09 56	2	106
52 DJ09 57	3	106
52 DJ10 39	1	106
52 DJ10 72	6	106
52 DJ10 74	6	106
52 DJ10 85	7	108
52 DJ10 87	8	108
52 DJ10 89	7	108
52 DJ10 91	8	108
52 DJ10 95	1	106
52 DJ10 96	1	106
52 DJ11 15	6	106
52 DJ11 17	7	108
52 DJ11 18	8	108
52 DJ11 19	1	106
56 DJ3X 1Y	1	54
56 DJ3Y 1Y	2	54
56 DK05 4R	5	106
56 DK05 7Q	5	106
59 0100 13	4	100
59 0200 01	11	84
59 0400 05	16	80
59 0400 17	14	50
59 0400 40	3	56
59 0400 41	11	50
59 0500 08	3	24
59 0500 08	2	26

Parts Index

Part Number	Figure No.	Page No.
59 1000 02	1	44
59 2000 06	8	26
59 2000 07	22	26
59 2000 07	9	46
59 2000 27	7	24
59 2000 28	13	18
59 2000 28	9	26
59 2000 29	12	18
59 2100 06	5	26
59 2100 19	4	90
AA 1014 37	24	16
AA 1014 37	4	24
AA 1410 48	18	40
AB 2010 17	21	102
AP 1010 43	13	30
BA 1220 03	10	82
CL 2010 23	15	96
CS 1011 28	1	10
DD 1010 62	11	10
DD 1110 12	15	44
DD 1210 07	10	12
DD 1412 27	4	82
DD 2110 03	6	86
DD 2210 03	12	92
DE 1510 37	6	66
DE 1510 43	7	66
DE 1510 45	8	66
DE 1510 46	4	66
DE 1510 46	10	72
DE 1510 47	5	66

Part Number	Figure No.	Page No.
DE 1510 47	11	72
DE 1510 48	3	66
DE 1910 10	5	64
DE 1910 10	8	70
DE 1910 28	14	64
DE 1910 33	6	64
DE 1910 36	15	64
DF 1611 02	9	58
DF 1810 98	4	96
DG 1010 29	4	8
DG 1013 39	3	74
DG 1014 18	8	28
DG 1014 18	2	30
DG 1014 56	10	26
DG 1014 98	11	2
DG 1110 08	8	44
DG 1210 02	17	40
DG 1510 05	11	62
DG 1510 07	12	62
DG 1510 08	13	62
DG 1510 08	21	68
DG 1710 18	5	52
DG 1710 19	7	52
DG 1710 22	15	52
DG 1710 34	10	52
DG 1710 38	2	52
DG 1810 08	4	76
DG 1810 08	18	80
DG 1810 45	22	80
DH 0101 08	13	110

Parts Index

Part Number	Figure No.	Page No.
DH 0101 09	13	110
DH 0101 20	9	108
DH 0101 21	10	108
DH 0101 42	9	108
DH 0101 43	10	108
DH 0101 85	7	108
DH 0101 86	8	108
DH 0102 00	18	110
DH 0102 01	7	108
DH 0102 09	9	108
DH 0102 10	10	108
DH 0102 19	7	108
DH 0102 20	8	108
DH 1010 18	12	28
DH 1010 66	16	14
DH 1010 67	15	14
DH 1010 72	2	18
DH 1010 79	4	16
DH 1010 84	8	16
DH 1011 11	15	16
DH 1011 41	5	28
DH 1011 42	3	28
DH 1011 46	3	20
DH 1011 52	6	28
DH 1011 54	13	28
DH 1011 63	16	46
DH 1011 72	7	46
DH 1011 95	11	14
DH 1011 97	2	28
DH 1011 99	6	44

Part Number	Figure No.	Page No.
DH 1012 03	12	26
DH 1012 35	5	16
DH 1012 72	10	2
DH 1012 75	5	32
DH 1012 92	11	30
DH 1012 93	9	30
DH 1012 94	12	30
DH 1012 95	8	8
DH 1013 19	18	16
DH 1013 80	7	44
DH 1013 81	5	44
DH 1013 85	5	46
DH 1013 86	4	44
DH 1013 88	7	30
DH 1013 89	14	46
DH 1013 92	8	10
DH 1013 93	7	22
DH 1013 94	10	22
DH 1013 96	2	14
DH 1014 12	5	10
DH 1014 14	7	12
DH 1014 24	6	18
DH 1014 87	10	24
DH 1014 93	4	20
DH 1014 96	9	20
DH 1015 08	4	6
DH 1015 09	5	22
DH 1015 44	17	28
DH 1015 81	4	46
DH 1016 07	9	38

Parts Index

Part Number	Figure No.	Page No.
DH 1016 08	10	38
DH 1016 48	13	32
DH 1016 61	15	26
DH 1017 14	2	22
DH 1017 18	13	26
DH 1018 96	5	24
DH 1020 52	4	18
DH 1020 52	14	18
DH 1021 25	6	10
DH 1021 51	10	14
DH 1021 53	12	14
DH 1021 74	7	4
DH 1021 75	8	4
DH 1021 80	9	4
DH 1021 89	8	20
DH 1022 01	5	2
DH 1022 63	8	38
DH 1022 72	2	38
DH 1022 74	15	40
DH 1110 12	10	6
DH 1110 13	16	44
DH 1110 15	14	44
DH 1110 16	17	44
DH 1110 80	2	44
DH 1110 82	3	44
DH 1110 84	11	46
DH 1111 15	11	46
DH 1210 10	3	34
DH 1210 11	15	28
DH 1210 12	16	28

Part Number	Figure No.	Page No.
DH 1210 35	5	34
DH 1210 38	8	6
DH 1211 68	3	36
DH 1211 69	10	36
DH 1211 71	2	36
DH 1211 90	4	40
DH 1410 20	13	82
DH 1410 23	6	84
DH 1410 24	11	82
DH 1410 73	10	42
DH 1410 74	12	42
DH 1610 46	4	86
DH 1610 53	17	54
DH 1610 56	20	54
DH 1610 66	7	58
DH 1611 12	2	48
DH 1611 21	4	58
DH 1611 33	1	84
DH 1611 55	11	54
DH 1611 57	10	54
DH 1611 58	21	84
DH 1611 61	9	50
DH 1611 89	2	50
DH 1611 90	3	50
DH 1612 31	22	84
DH 1612 33	10	86
DH 1612 39	5	58
DH 1612 40	8	58
DH 1612 93	14	100
DH 1614 16	12	40

Parts Index

Part Number	Figure No.	Page No.
DH 1614 29	8	42
DH 1710 19	8	52
DH 1710 19	14	62
DH 1710 19	22	68
DH 1810 52	10	96
DH 1811 30	32	78
DH 1811 30	1	82
DH 1910 17	20	76
DH 1910 67	17	76
DH 1910 68	19	76
DH 1910 69	18	76
DH 2010 65	13	58
DJ 1010 04	1	12
DJ 1010 12	3	6
DJ 1010 63	23	16
DJ 1010 64	4	38
DJ 1011 58	3	12
DJ 1012 17	2	2
DJ 1013 50	1	32
DJ 1013 71	6	12
DJ 1013 73	2	10
DJ 1017 11	1	2
DJ 1017 11	12	6
DJ 1017 12	1	24
DJ 1110 98	9	44
DJ 1210 22	7	6
DJ 1210 44	4	36
DJ 1210 53	5	36
DJ 1210 54	6	36
DJ 1210 55	7	36

Part Number	Figure No.	Page No.
DJ 1210 56	8	36
DJ 1210 57	9	36
DJ 1210 59	11	36
DJ 1210 81	3	40
DJ 1210 87	1	40
DJ 1210 89	5	4
DJ 1210 90	5	6
DJ 1210 91	1	36
DJ 1410 08	7	84
DJ 1410 56	3	82
DJ 1410 71	15	42
DJ 1410 72	6	42
DJ 1410 72	14	82
DJ 1410 73	3	42
DJ 1410 74	7	42
DJ 1410 77	16	42
DJ 1511 14	2	64
DJ 1610 69	1	56
DJ 1610 72	9	100
DJ 1610 79	8	92
DJ 1610 80	9	92
DJ 1611 14	5	50
DJ 1611 15	6	50
DJ 1611 22	5	54
DJ 1611 26	14	54
DJ 1611 27	16	54
DJ 1611 28	3	54
DJ 1611 29	4	54
DJ 1612 28	10	30
DJ 1612 47	9	102

Parts Index

Part Number	Figure No.	Page No.
DJ 1612 78	7	38
DJ 1612 90	18	50
DJ 1613 27	18	102
DJ 1614 00	1	48
DJ 1614 16	17	110
DJ 1710 44	11	52
DJ 1810 33	3	96
DJ 1810 37	7	96
DJ 1810 64	18	96
DJ 1810 65	12	96
DJ 1810 69	9	96
DJ 1811 19	3	88
DJ 1811 20	2	96
DJ 1811 30	13	96
DJ 1910 27	6	64
DJ 1910 28	7	64
DJ 1910 29	8	64
DJ 1910 30	9	64
DJ 1910 31	10	64
DJ 1910 34	13	64
DJ 1910 35	14	64
DJ 1910 56	11	64
DJ 1910 61	1	90
DJ 1910 81	8	76
DJ 1910 82	7	76
DJ 1910 83	9	76
DJ 1910 85	1	88
DJ 2010 72	16	96
DJ 2010 72	7	100
DJ 2011 08	16	64

Part Number	Figure No.	Page No.
DJ 2011 09	12	64
DJ 2011 25	8	102
DJ 2011 37	7	88
DJ 2011 40	18	26
DJ 2011 40	11	102
DJ 2011 74	4	88
DJ 2011 76	1	96
DJ 2012 02	11	44
DJ 2012 06	2	98
DJ 2012 07	1	98
DJ 2012 18	2	90
DJ 2012 30	17	96
DJ 2012 46	14	76
DJ 2012 60	5	102
DJ 2012 61	5A	102
DJ 2210 03	33	78
DJ 2210 04	34	78
DJ 2210 19	1	104
DJ 2210 20	1A	92
DJ 2210 21	1	92
DJ 9025 03	1	18
DK 1010 59	12	10
DK 1010 72	11	32
DK 1010 94	3	26
DK 1010 97	21	26
DK 1011 02	6	16
DK 1011 03	3	16
DK 1011 04	7	16
DK 1011 05	12	16
DK 1011 18	16	16

Parts Index

Part Number	Figure No.	Page No.
DK 1011 26	12	32
DK 1011 35	10	20
DK 1011 44	10	16
DK 1011 59	1	20
DK 1011 60	2	20
DK 1011 76	6	46
DK 1011 80	13	22
DK 1011 82	4	22
DK 1011 83	16	22
DK 1011 85	14	22
DK 1011 85	5	74
DK 1011 86	15	22
DK 1011 86	4	74
DK 1011 87	12	22
DK 1011 87	6	74
DK 1012 45	20	16
DK 1012 51	7	28
DK 1012 53	9	22
DK 1013 26	6	8
DK 1013 52	21	16
DK 1013 80	17	26
DK 1014 71	1	16
DK 1014 80	14	14
DK 1014 80	14	28
DK 1015 64	3	32
DK 1015 65	6	32
DK 1015 69	4	32
DK 1015 70	16	32
DK 1015 71	17	32
DK 1015 73	10	32

Part Number	Figure No.	Page No.
DK 1015 74	8	32
DK 1015 92	8	12
DK 1015 95	1	46
DK 1015 96	15	46
DK 1016 05	2	46
DK 1016 36	14	32
DK 1016 60	19	16
DK 1016 61	17	16
DK 1017 18	14	16
DK 1017 22	1	22
DK 1017 22	3	22
DK 1017 25	8	22
DK 1017 32	5	20
DK 1017 38	19	28
DK 1017 48	1	8
DK 1017 51	2	8
DK 1017 55	3	8
56 DJ3Z 1Y	6	30
56 DJ4E 1Y	13	46
DK 1210 07	7	40
DK 1210 09	5	40
DK 1210 11	16	40
DK 1210 15	6	40
DK 1210 91	6	4
DK 1410 15	18	84
DK 1410 17	17	84
DK 1510 09	2	68
DK 1510 12	6	68
DK 1510 15	11	68
DK 1510 22	14	68

Parts Index

Part Number	Figure No.	Page No.
DK 1510 24	16	68
DK 1510 26	5	60
DK 1510 27	9	62
DK 1510 28	8	62
DK 1510 31	1	72
DK 1510 33	1	70
DK 1510 34	2	70
DK 1510 36	5	68
DK 1510 39	2	60
DK 1510 40	4	60
DK 1510 41	9	72
DK 1510 42	5	72
DK 1510 45	10	70
DK 1510 50	3	60
DK 1510 50	1	68
DK 1510 63	6	70
DK 1510 69	4	64
DK 1510 69	7	70
DK 1510 76	6	72
DK 1510 77	7	72
DK 1510 78	3	72
DK 1510 81	19	68
DK 1510 82	20	68
DK 1510 83	8	72
DK 1510 84	9	70
DK 1510 85	12	72
DK 1510 86	4	70
DK 1510 88	13	72
DK 1510 89	14	72
DK 1510 90	15	72

Part Number	Figure No.	Page No.
DK 1510 95	2	62
DK 1610 85	9	56
DK 1610 96	1	50
DK 1610 98	2	56
DK 1611 22	1	58
DK 1611 23	9	84
DK 1611 24	10	84
DK 1611 53	2	100
DK 1611 61	12	50
DK 1611 64	5	98
DK 1611 71	19	84
DK 1611 72	20	84
DK 1611 76	3	92
DK 1612 09	5	88
DK 1612 17	5	92
DK 1612 18	6	92
DK 1612 50	1	94
DK 1613 38	5	56
DK 1614 15	16	50
DK 1614 16	17	50
DK 1614 22	11	86
DK 1710 03	9	52
DK 1710 06	6	52
DK 1710 11	4	52
DK 1710 14	1	52
DK 1810 07	6	80
DK 1810 08	7	80
DK 1810 10	8	80
DK 1810 11	10	80
DK 1810 12	4	12

Parts Index

Part Number	Figure No.	Page No.
DK 1810 17	27	80
DK 1810 18	15	80
DK 1810 19	3	80
DK 1810 20	26	80
DK 1810 21	2	80
DK 1810 22	12	80
DK 1810 23	13	80
DK 1810 24	23	80
DK 1810 25	24	80
DK 1810 28	25	80
DK 1810 31	26	78
DK 1810 36	29	78
DK 1810 43	22	78
DK 1810 46	30	78
DK 1810 47	31	78
DK 1810 48	12	82
DK 1810 50	7	48
DK 1810 51	8	48
56 DK32 Y9	3	76
56 DK31 Y9	2	76
56 DK33 Y9	1	76
56 DK33 Y9	17	80
DK 1810 73	11	80
DK 1810 75	3	48
DK 1810 79	28	78
DK 1810 87	1	80
DK 1810 90	4	80
DK 1810 91	5	80
DK 1810 92	9	80
DK 1810 93	14	80

Part Number	Figure No.	Page No.
DK 1910 12	3	64
DK 1910 12	1	74
DK 1910 13	7	74
DK 1910 14	7	102
DK 2010 03	1	100
DK 2010 37	1	102
DK 2010 38	2	102
DK 2010 65	6	82
DK 2010 78	10	102
DK 2110 04	8	86
DK 2110 07	2	86
DK 2110 09	3	86
DK 2110 12	1	86
DK 2110 14	5	86
DK 2210 24	2	104
DL 1810 10	6	96
DL 1910 14	10	76
DS 1010 71	21	28
DS 1010 84	7	2
DS 1011 54	5	14
DS 1011 66	4	2
DS 1012 15	9	28
DS 1012 34	14	26
DS 1013 53	10	28
DS 1013 53	4	30
DS 1013 53	12	46
DS 1211 16	14	40
DS 1211 17	8	40
DS 1211 26	9	40
DS 1510 73	10	68

Parts Index

Part Number	Figure No.	Page No.
DS 1510 74	3	68
DS 1611 25	4	56
DS 1910 52	21	78
DS 2010 25	17	102
DS 2110 09	9	86
DV 1010 42	3	30
DV 1010 48	22	16
GF 2010 36	12	102
GH 2010 12	3	98
GL 1710 36	5	42
JB 4014 02	24	78
JB 5910 59	12	38
JB 5910 68	11	38
JC 1010 01	1	14
JC 1010 29	2	24
JC 1010 34	9	10
JC 1010 35	7	10
JC 1010 45	1	26
JC 1011 12	3	46
JC 1011 15	8	46
JC 1110 22	12	44
JC 1110 23	13	44
JC 1410 15	14	84
JC 1410 16	16	84
JC 1410 17	15	84
JC 1410 28	9	82
JC 1510 13	1	60
JC 1510 13	1	62
JC 1510 16	8	68
JC 1510 17	15	62

Part Number	Figure No.	Page No.
JC 1510 19	3	62
JC 1610 17	6	58
JC 1810 22	20	80
JC 1810 23	19	80
JC 1810 24	21	80
JC 1810 26	12	100
JC 1910 04	3	90
JC 2010 27	16	102
JC 2010 39	11	58
JC 2010 43	2	90
JC 2010 46	6	62
JD 1138 14	11	4
JD 1138 15	12	4
JD 4014 00	6A	76
JE 5412 12	8	30
JF 1318 06	1	66
JF 4014 00	5	76
JF 4014 01	6	76
JG 1312 19	15	68
JG 1710 29	4	42
JG 4018 08	20	102
JH 1710 48	17	42
JH 1716 02	11	42
JL 4020 04	17A	102
JL 5810 65	4	4
JL 5810 66	2	4
JM 1710 04	12	52
JW 1318 07	6	66
JW 1318 09	11	66
JW 1318 10	12	66

Parts Index

Part Number	Figure No.	Page No.
JW 1710 07	2	84
JW 1710 07	13	84
JW 4010 11	8	100
JY 1710 69	13	42
JY 1710 70	2	42
JY 1710 77	1	42
JY 1718 25	9	42
KA CA05 16	2	82
KA DD06 25	16	76
KA DD06 25	11	96
KA DD06 25	13	100
KA DF06 10	19	102
KA DF06 30	13	4
KA EG06 14	10	4
KB BA04 08	4	62
KB BA05 16	11	40
KB BA05 25	10	40
KC GA05 05	8	82
KC GF06 06	14	4
KD DB04 08	5	62
KH AA32 25	13	54
KJ AB10 19	23	26
KM AA08 00	6	48
KP AC60 05	7	68
KP BC62 02	7	62
KP BC62 02	13	68
KP BC63 02	18	68
LB U000 12	15	76
PD 1318 03	10	62
PD 1510 06	4	48

Part Number	Figure No.	Page No.
PD 1716 16	14	42
PD 5112 29	4	10
PD 5310 29	7	14
PD 5514 27	7	32
PD 5822 00	1	4
YD H190 01	1	96
YD H190 02	6	88
YD J080 01	1	38