

## Notice

---



All information contained in this manual is based on the latest product information at the time of publication. Bajaj Auto Limited accepts no liability for any inaccuracies or omissions in this publication, although every possible care has been taken to make it as complete and accurate as possible. All procedures and specifications subject to change without prior notice. The right is reserved to make such changes at any time without prior notice and without incurring an obligation to make such changes to product manufactured previously. Contact your authorized Bajaj Dealer for the latest information on product improvements incorporated after this manual was issued.

**DOC. NO.: 71110778**

**REV. 13 NOV 16**

---

## Revision No. & Change Details



REV. NO.	PART NUMBER	SHORT DESCRIPTION	QTY.	PAGE NO.	SR. NO.	A: Add D: Delete C: Change	REFERENCE
03 APR 13	36 DH40 50	Kit Asly Cyl Head & Cover	1	2	1	C	C-40 dated 22/03/2012
	36 DH40 50	Kit Asly Cyl Head & Cover	1	4	1	C	C-40 dated 22/03/2012
	DK 1017 48	Rocker Arm Shaft-Intake	1	6	1	A	C-40 dated 22/03/2012
	DK 1017 51	Rocker Arm Shaft-Exhaust	1	6	2	A	C-40 dated 22/03/2012
	DK 1017 55	Rocker Arm With Roller	2	6	3	A	C-40 dated 22/03/2012
	DK 1013 26	Valve Repair Kit	1	6	6	A	C-40 dated 22/03/2012
	DH 1012 95	Wave Washer	2	6	8	A	C-40 dated 22/03/2012
	39 2440 11	Plain Washer	4	6	9	A	C-40 dated 22/03/2012
	DH 2010 85	Wiring Harness	1	102	5	A	C-41 dated 10/08/2012
	60 1114 15	Cable Tie Lock	1	102	23	A	C-41 dated 10/08/2012
	DH 1021 04	Assly. Balancer Idler Gear	1	14	4	A	F-29 dated 31/10/2012
	59 2000 28	Bearing	1	14	12	A	F-29 dated 31/10/2012
	36 DJ40 32	Kit Minor Cal & Grease	1	68	9	A	F-31 dated 03/12/2013
	36 DK00 65	Kit Minor Caliper+Grease	1	68	9	A	F-31 dated 03/12/2013
	36 DJ40 33	Kit Mijor Cal & Grease	1	68	10	A	F-31 dated 03/12/2013
	36 DK00 66	Kit Minor Caliper+Grease	1	68	10	A	F-31 dated 03/12/2013
	DK 1017 32	Drum Comp. Gear Shift	1	18	5	A	C-42 dated 17/12/2012
	DK 1017 33	Lever Comp. Gear Shifter	1	20	1	A	C-42 dated 17/12/2012
	DK 1017 22	Spring Gear Shifter Return	1	20	3	A	C-42 dated 17/12/2012
	DH 1013 97	Lever Comp. Change	1	20	4	A	C-42 dated 17/12/2012
	DK 1017 25	Stopper Gear Shifter Drum	1	20	8	A	C-42 dated 17/12/2012
	30 1511 05	Shoe Brake Assly	1	70	6	C	Alternate for 30151068
4 SEPT 13	JC 2010 16	Body Control Unit	1	102	13	D	C-43 dated 17/08/2013
	DJ 2011 81	Magnet assly	1	98	8	D	C-43 dated 17/08/2013
	36 DH40 47	Kill Hall Sensor	1	98	8	D	C-43 dated 17/08/2013
	AL 2010 12	Kill Switch Relay	1	102	15	D	C-43 dated 17/08/2013
	DJ 2010 28	Kill Switch Relay	1	102	15	D	C-43 dated 17/08/2013

## Revision No. & Change Details



REV. NO.	PART NUMBER	SHORT DESCRIPTION	QTY.	PAGE NO.	SR. NO.	A: Add D: Delete C: Change	REFERENCE
	JF 4014 00	Control Switch LH	1	76 5	C	C	C-43 dated 17/08/2013
	JF 4014 01	Control Switch RH	1	76	6	A	C-43 dated 17/08/2013
	DH 1910 65	Speedometer	1	90	1	C	C-43 dated 17/08/2013
	DH 2010 86	Wiring Harness	1	102	5	C	C-43 dated 17/08/2013
	DJ 2012 01	Wiring Harness	1	102	5	C	Old
	DJ 2011 25	Battery 9 (Ah)	1	102	9	D	Old
	DJ 1612 47	Battery Band	1	102	10	D	Old
	DH 2010 73	Horn	1	102	1	D	Old
	DH 2010 74	Horn RH	1	102	2	D	Old
	DJ 1610 06	Pad I	2	102	20	D	Old
	52 DH07 67	Kit Leg Guard	1	106	1	C	C-44 dated 23/08/2013
	DH 1614 16	Side cover lock bracket	1	36	9	A	F-37 dated 17/08/2013
	DH 2010 81	Cable speedometer	1	92	2	C	F-36 dated 07/06/2013
	DH 2010 81	Case meter assly.	1	91	5	A	F-36 dated 07/06/2013
	DH 2010 79	Case meter assly with cable	1	92	6	A	F-36 dated 07/06/2013
05 JAN 14	DH 1021 04	Assly. Balancer Idler Gear	1	14	4	D	Wrong Illustration
	DH 1021 04	Body Balancer Assly.	1	14	1	A	
06 MAY 14	52 DH08 43	P Tank M PI Silver Dcl	1	86	1	A	F-41 Dated 29-04-2014
	52 DJ05 46	P Tank M S Blue Dcl	1	86	1	A	F-41 Dated 29-04-2014
	52 DJ05 45	P Tank M W Red Dcl	1	86	1	A	F-41 Dated 29-04-2014
	52 DH08 10	Fairing K1 +Dcl PI Silver	1	86	2	A	F-41 Dated 29-04-2014
	52 DJ05 17	Fairing Black+Saf Blue Dcl	1	86	2	A	F-41 Dated 29-04-2014
	52 DJ05 19	Fairing Black+W Red Dcl	1	86	2	A	F-41 Dated 29-04-2014
	52 DH08 13	Flap LH PI Silver Dcl	1	86	3	A	F-41 Dated 29-04-2014
	52 DH08 11	Flap LH S Blue Dcl	1	86	3	A	F-41 Dated 29-04-2014
	52 DH08 15	Flap LH W Red Dcl	1	86	3	A	F-41 Dated 29-04-2014
	52 DH08 14	Flap RH PI Silver Dcl	1	86	4	A	F-41 Dated 29-04-2014
	52 DH08 12	Flap RH S Blue Dcl	1	86	4	A	F-41 Dated 29-04-2014

# Revision No. & Change Details



REV. NO.	PART NUMBER	SHORT DESCRIPTION	QTY.	PAGE NO.	SR. NO.	A: Add D: Delete C: Change	REFERENCE
	52 DH08 16	Flap RH W Red Dcl	1	86	4	A	F-41 Dated 29-04-2014
	52 DH08 21	K1 Front Fender Pl Silver	1	86	5	A	F-41 Dated 29-04-2014
	52 DJ05 20	Fr. Fender Assly S Blue	1	86	5	A	F-41 Dated 29-04-2014
	52 DJ05 22	Fr. Fender Assly W Red	1	86	5	A	F-41 Dated 29-04-2014
	52 DH08 23	S Cover LH+Dcl Pl Silver	1	86	6	A	F-41 Dated 29-04-2014
	52 DH08 20	Cover Side LH S Blue	1	86	6	A	F-41 Dated 29-04-2014
	52 DH08 22	Cover Side LH Wine Red	1	86	6	A	F-41 Dated 29-04-2014
	52 DH08 24	S Cover RH+Dcl Pl Silver	1	86	7	A	F-41 Dated 29-04-2014
	52 DJ05 33	Cover Side RH S Blue	1	86	7	A	F-41 Dated 29-04-2014
	52 DJ05 37	Cover Side RH W Red	1	86	7	A	F-41 Dated 29-04-2014
	56 DH45 6E	Seat Cowl Pl Silver	1	86	8	A	F-41 Dated 29-04-2014
	56 DK45 5N	Seat Cowl Saffire Blue	1	86	8	A	F-41 Dated 29-04-2014
	56 DK45 27	Seat Cowl Wine Red	1	86	8	A	F-41 Dated 29-04-2014
	36 DH40 69	Kit Tank Dcl Pl Silver	1	86	9	A	F-41 Dated 29-04-2014
	36 DJ40 46	Kit Tank Dcl W Red	1	86	9	A	F-41 Dated 29-04-2014
	36 DJ40 48	Kit Tank Dcl S Blue	1	86	9	A	F-41 Dated 29-04-2014
	36 DH40 64	Kit Tank Spoiler Dcl Silver	1	88	10	A	F-41 Dated 29-04-2014
	36 DH40 63	Kit Tank Spoiler Dcl Red	1	88	10	A	F-41 Dated 29-04-2014
	36 DH40 62	Kit Tank Spoiler Dcl Blue	1	88	10	A	F-41 Dated 29-04-2014
	36 DH40 70	Kit S Cover Dcl Pl Silver	1	88	11	A	F-41 Dated 29-04-2014
	36 DJ40 45	Kit S Cover Dcl S Blue	1	88	11	A	F-41 Dated 29-04-2014
	36 DJ40 43	Kit S Cover Dcl W Red	1	88	11	A	F-41 Dated 29-04-2014
	36 DH40 67	Kit S Cowl Dcl Pl Silver	1	88	12	A	F-41 Dated 29-04-2014
	36 DH40 65	Kit S Cowl Dcl S Blue	1	88	12	A	F-41 Dated 29-04-2014
	36 DH40 66	Kit S Cowl Dcl W Red	1	88	12	A	F-41 Dated 29-04-2014
	36 DH40 68	Kit Fairing Dcl Pl Silver	1	88	13	A	F-41 Dated 29-04-2014
	36 DJ40 39	Kit Fairing Dcl S Blue	1	88	13	A	F-41 Dated 29-04-2014

# Revision No. & Change Details



REV. NO.	PART NUMBER	SHORT DESCRIPTION	QTY.	PAGE NO.	SR. NO.	A: Add D: Delete C: Change	REFERENCE
	36 DJ40 37	Kit Fairing Dcl W Red	1	88	13	A	F-41 Dated 29-04-2014
	36 DK01 05	Kit Pulsar Dcl Satin LH	1	88	14	A	F-41 Dated 29-04-2014
	36 DK01 06	Kit Pulsar Dcl Satin RH	1	88	14	A	F-41 Dated 29-04-2014
07 SEP 14	52 DJ05 69	P Tank K1/K2 E Black	1	86	1	A	F-42 Dated 30-06-2014
	52 DJ05 57	P Tank K1/K2 M White	1	86	1	A	F-42 Dated 30-06-2014
	56 DH04 X3	Fairing E Black	2	86	1	A	F-42 Dated 30-06-2014
	52 DJ05 78	Fairing M White	2	86	1	A	F-42 Dated 30-06-2014
	56 DH07 X3	K1 Flap LH E Black	3	86	1	A	F-42 Dated 30-06-2014
	52 DH08 86	K1 Flap LH M White	3	86	1	A	F-42 Dated 30-06-2014
	56 DH08 X3	K1 Flap RH E Black	4	86	1	A	F-42 Dated 30-06-2014
	52 DH08 87	K1 Flap RH M White	4	86	1	A	F-42 Dated 30-06-2014
	52 DH08 46	Front Fender Assly E Black	5	86	1	A	F-42 Dated 30-06-2014
	52 DH08 85	Front Fender Assly M White	5	86	1	A	F-42 Dated 30-06-2014
	52 DJ05 62	Cover Side LH E Black	6	86	1	A	F-42 Dated 30-06-2014
	52 DJ05 34	Cover Side LH M White	6	86	1	A	F-42 Dated 30-06-2014
	52 DJ05 35	Cover Side RH M White	7	88	1	A	F-42 Dated 30-06-2014
	52 DJ05 63	Cover Side RH E Blac	7	88	1	A	F-42 Dated 30-06-2014
	56 DK45 X3	Seat Cowl E Black	8	88	1	A	F-42 Dated 30-06-2014
	56 DK45 5Y	Seat Cowl M White	8	88	1	A	F-42 Dated 30-06-2014
	36 DJ40 47	Kit Tank Dcl M White	9	88	1	A	F-42 Dated 30-06-2014
	36 DH40 74	Kit T Spoiler Dcl E Black	10	88	1	A	F-42 Dated 30-06-2014
	36 DH40 74	Kit T Spoiler Dcl E Black	10	88	1	A	F-42 Dated 30-06-2014
	36 DH40 75	Kit S Cowl Dcl E Black	12	88	1	A	F-42 Dated 30-06-2014
	36 DJ40 44	Kit S Cowl Dcl M White	12	88	1	A	F-42 Dated 30-06-2014
	36 DH40 73	Kit Fairing Dcl E Black	13	88	1	A	F-42 Dated 30-06-2014
	36 DH40 79	Kit Fairing Dcl M White	13	88	1	A	F-42 Dated 30-06-2014
	DH 1211 88	Carburettor assly	1	34	1	C	C-46 dated 31-03-2014



## Foreword

---



We have pleasure in presenting the Spare Parts Catalogue for 'Pulsar 150' Motorcycle (UG IV). This catalogue has been specially designed to assist you in selecting the correct parts for procurement to maintain 100% availability.

The Bajaj spares are subjected to the stringent quality control standards to ensure longer life of the vehicle. It is therefore necessary that only the Genuine Bajaj Spares are used.

In a continual effort to improve Performance and Efficiency of the vehicles, Specifications, Diagrams, Illustrations and Part Numbers can change without notice. Consequently, the description in this Spare Parts Catalogue cannot therefore be final and binding on us.

The modifications / alterations which are carried out after the issue of this catalogue, will be conveyed to you through our Service Circulars. You are requested to make necessary corrections in the Parts Catalogue as per the circulars so as to keep your catalogue up-to-date. This will ensure the appropriate and speedy delivery of the Spare Parts as the order placed will bear the latest part numbers.

In case, if you need any technical assistance contact the concerned Regional Office or write to us on the following address :

**Bajaj Auto Limited**  
**Service Department**  
Akurdi, Pune 411 035 India

Fax : 020-27407385  
E-mail : service@bajajauto.co.in

## Instructions

---



**1. How to Read the Catalogue :** Open the catalogue and from the pictorial index locate the group in which the part you want to find is present. Turn over to the concerned page number (as given by pictorial index). Now find out the figure of the part you wish to order. Write down the part number against that particular figure number from the text.

In case, if you have the part number and you need the other details, the part index can be used. The part index (at the end of the catalogue) will give you the figure and page number of the part you wish to order.

**2. How to Order Spare Parts :** The part number and the description of the part required should be invariably mentioned in the order as per the catalogue text.

The latest part number as conveyed through our service circulars should only appear on the order. In case of ordering painted components, colour shade of the components should be mentioned.

The quantity shown against the part number is the quantity per vehicle for that group so that particular quantity should be multiplied by the number of sets required.

**3. Part Number System :** We have used 8 digit system for part numbers. The model or hardware item is indicated by first two digits or alphanumeric, the next two or four digits indicate main group and the last four or two digits indicate serial number in main group or serial number or subgroup of fastener respectively. Thus the part numbers will be indicated by 2-2-4 or 2-4-2 digit system. Understanding this system will enable you to identify the spare parts easily.

**4. Abbreviations :** The following abbreviations are used in this catalogue.

Assly	Assembly	V	Volts
N.I.	Not illustrated	W	Watts
C'case	Crankcase	Accl.	Accelerator
Cyl	Cylinder	Comp.	Complete
O/s	Over size	Fr.	Front
Rr.	Rear	Std.	Standard
L	Length	A/t.	Alternate
R.H.	Right hand	L.H.	Left hand
Hex.	Hexagonal	AR	As required

Plate No.	Description	Page No.
1	Cover Cylinder Head	2
2	Cylinder Head	4
3	Valve	6
4	Camshaft / Tensioner	8
5	Cylinder & Piston	10
6	Crankshaft	12
7	Balancer & Balancer Idler Gear	14
8	Transmissaion	16
9	Change Drum / Shaft Fork	18
10	Gear Change Mechanism	20
11	Engine Assly. & Crankcase RH	22
12	Crankcase LH	24
13	Cover RH	26
14	Cover Magneto	28
15	Clutch	30
16	Kick Starter Mechanism	32
17	Carburettor	34
18	Air Cleaner Complete	36
19	Silencer Assembly	38
20	Seat Assembly / Seat Lock	40
21	Oil Pump	42
22	Magneto, CDI & H.T. Coil	44
23	Starter Assembly (For Self Start)	46
24	Engine Mountings	48
25	Frame and Frame Fittings	50
26	Swing Arm / Rear Shock Absorber	52
27	Rider Foot Rest	54
28	Pillion Foot Rest / Holder	56
29	Mudguard - Front & Rear	58
30	Stand Assembly	60

Plate No.	Description	Page No.
31	Tube / Tyre / Rim	62
32	Front Hub	64
33	FR. Master Cylinder (For Disc Brake)	66
34	Front Disc Brake	68
35	Rear Hub	70
36	Rear Brake Padal	72
37	Handle Bar ( Single Tube Type )	74
	Handle Bar ( Split Type )	76, 78
38	Front Fork	80
39	Painted Parts & Decals	82, 84
40	Cap Tank & Gauge Fuel	86
41	Fittings P. Tank, Side Cover & Cover Seat	88
42	Meter Assembly	90
43	Control Cables	92
44	Chain Case	94
45	Head Lamp & Fairing	96
46	Indicator Light Assembly	98
47	Tail Lamp Assly / FR & RR No. Plate	100
48	Electrical Equipments	102
49	Tool Kit	104
50	Accessories / Grab Handle	106

# Pictorial Index

PLATE NO. : 1  
COVER CYLINDER HEAD

PAGE NO.  
1 & 2

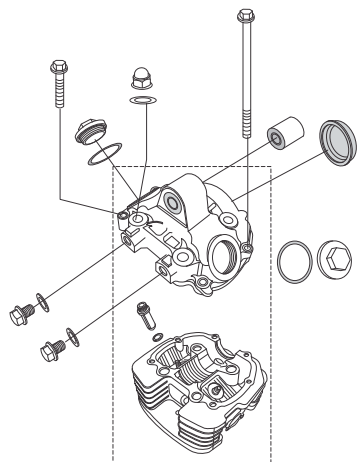


PLATE NO. : 2  
CYLINDER HEAD

PAGE NO.  
3 & 4

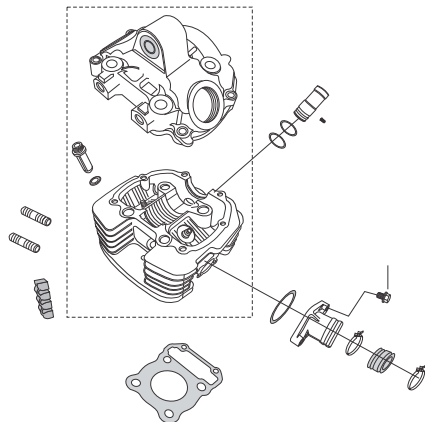


PLATE NO. : 3  
VALVE

PAGE NO.  
5 & 6

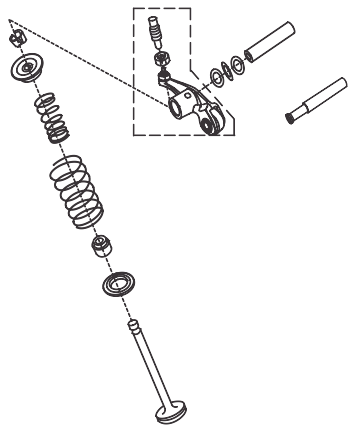
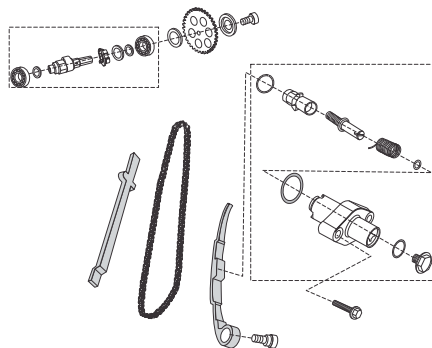


PLATE NO. : 4  
CAMSHAFT / TENSIONER

PAGE NO.  
7 & 8



# Pictorial Index

PLATE NO. : 5  
CYLINDER & PISTON

PAGE NO.  
9 & 10

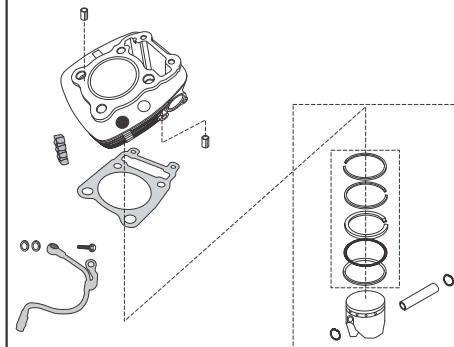


PLATE NO. : 6  
CRANKSHAFT

PAGE NO.  
11 & 12

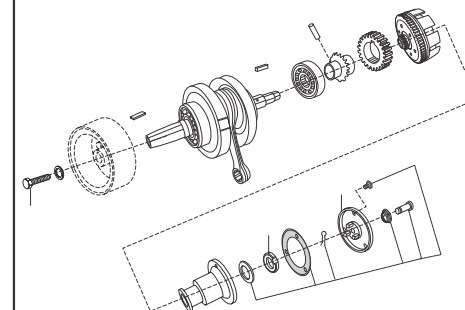


PLATE NO. : 7  
Balancer & Balancer Idler Gear

PAGE NO.  
13 & 14

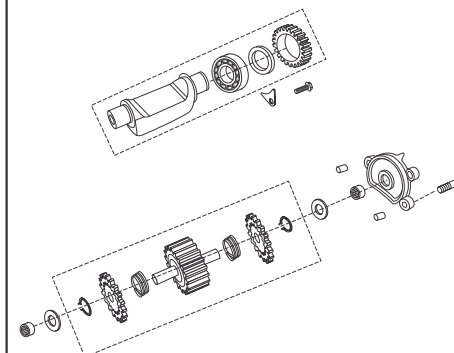
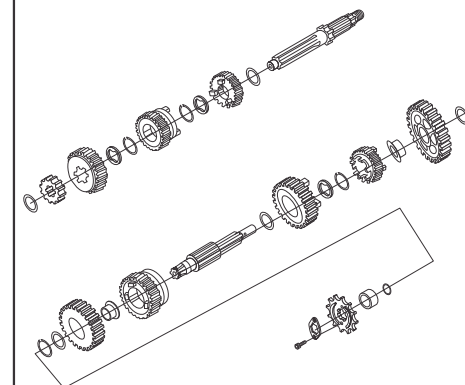


PLATE NO. : 8  
Transmission

PAGE NO.  
15 & 16



# Pictorial Index

PLATE NO. : 9  
Change Drum / Shaft Fork

PAGE NO.  
17 & 18

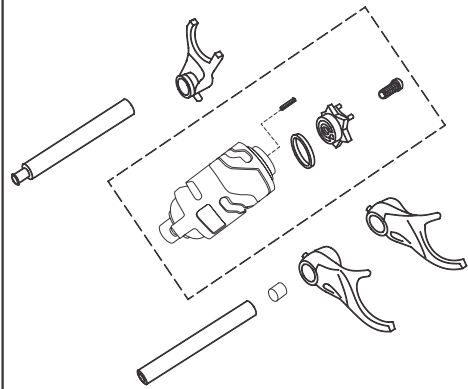


PLATE NO. : 10  
Gear Change Mechanism

PAGE NO.  
19 & 20

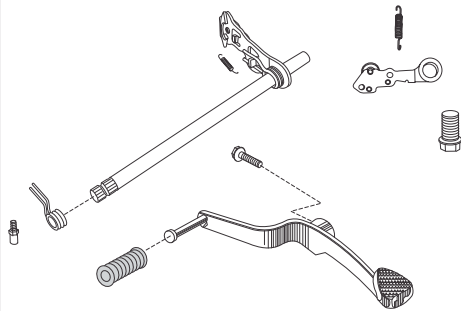


PLATE NO. : 11  
Engine Assly. & Crankcase RH

PAGE NO.  
21 & 22

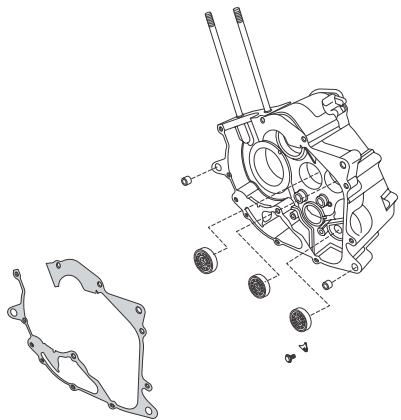
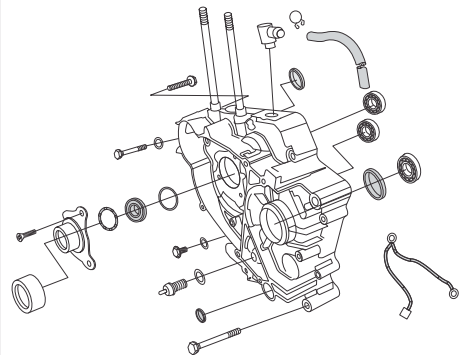


PLATE NO. : 12  
Crankcase LH

PAGE NO.  
23 & 24



# Pictorial Index

PLATE NO. : 13  
Cover RH

PAGE NO.  
25 & 26

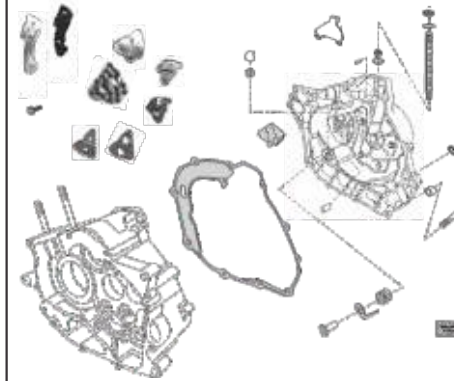


PLATE NO. : 14  
Cover Magneto

PAGE NO.  
27 & 28

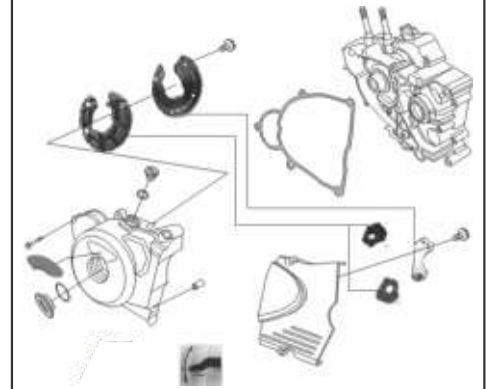


PLATE NO. : 15  
Clutch

PAGE NO.  
29 & 30

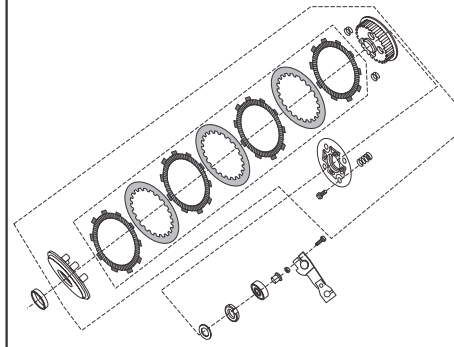
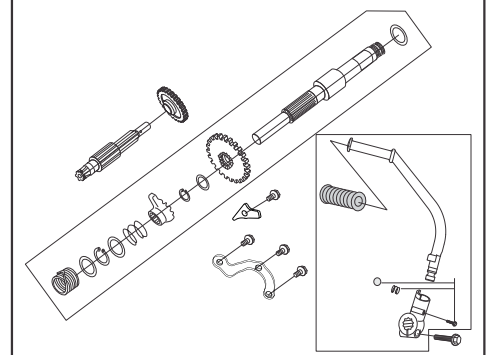


PLATE NO. : 16  
Kick Starter Mechanism

PAGE NO.  
31 & 32





# Pictorial Index

PLATE NO. : 17  
Carburettor

PAGE NO.  
33 & 34

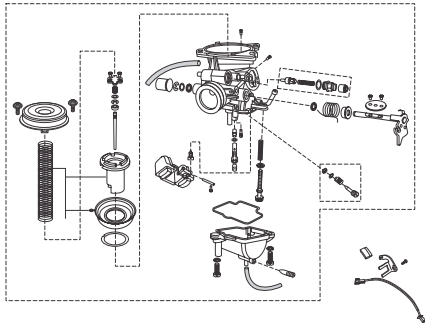


PLATE NO. : 18  
Air Cleaner Complete

PAGE NO.  
35 & 36

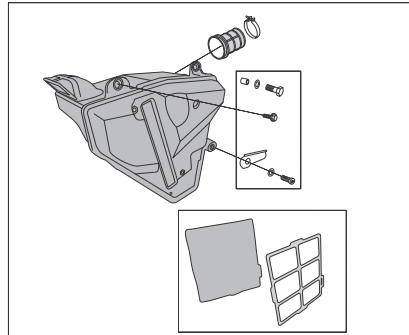


PLATE NO. : 19  
Silencer Assembly

PAGE NO.  
37 & 38

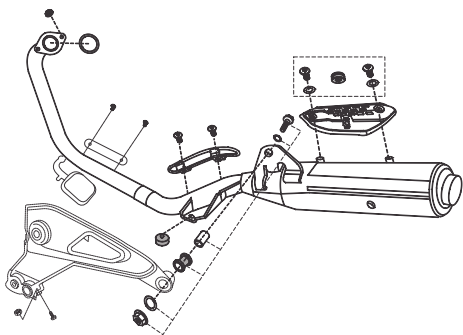
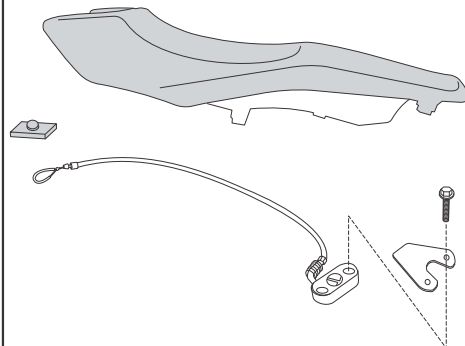


PLATE NO. : 20  
Seat Assembly / Seat Lock

PAGE NO.  
39 & 40



# Pictorial Index

PLATE NO. : 21  
Oil Pump

PAGE NO.  
41 & 42

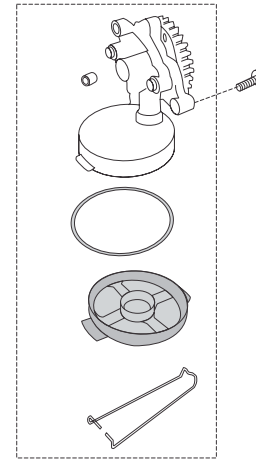


PLATE NO. : 22  
Magneto, CDI & H.T. Coil

PAGE NO.  
43 & 44

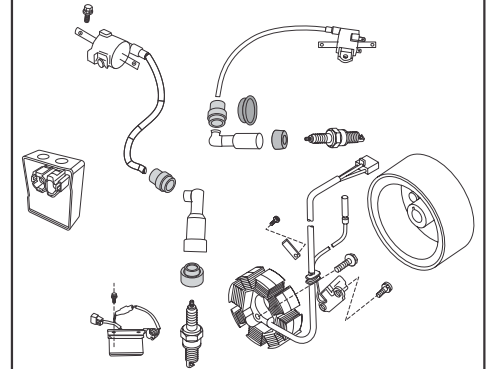


PLATE NO. : 23  
Starter Assembly (For Self Start)

PAGE NO.  
45 & 46

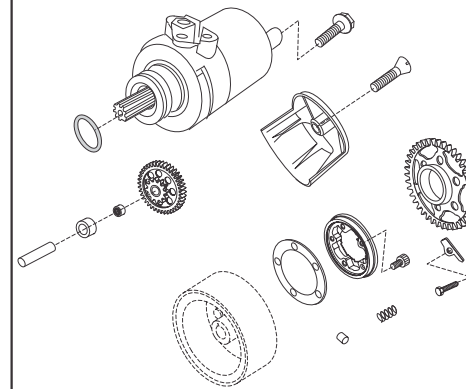
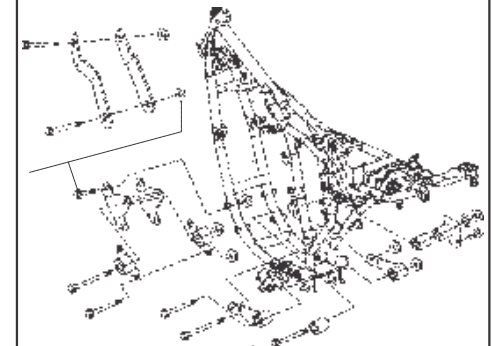


PLATE NO. : 24  
Engine Mountings

PAGE NO.  
47 & 48



# Pictorial Index

PLATE NO. : 25  
Frame and Frame Fittings

PAGE NO.  
49 & 50

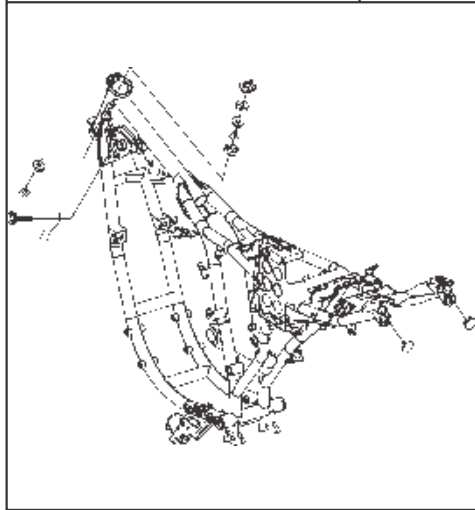


PLATE NO. : 26  
Swing Arm / Rear Shock Absorber

PAGE NO.  
51 & 52

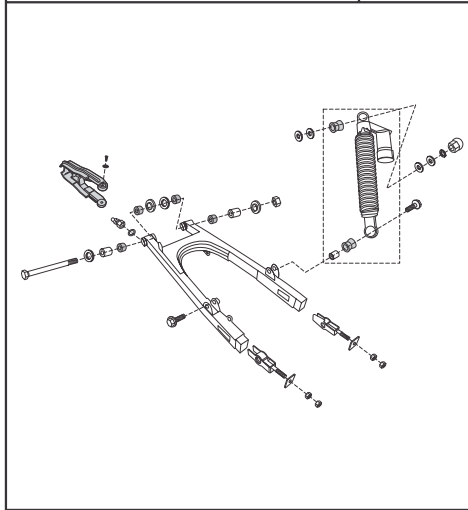


PLATE NO. : 27  
Rider Foot Rest

PAGE NO.  
53 & 54

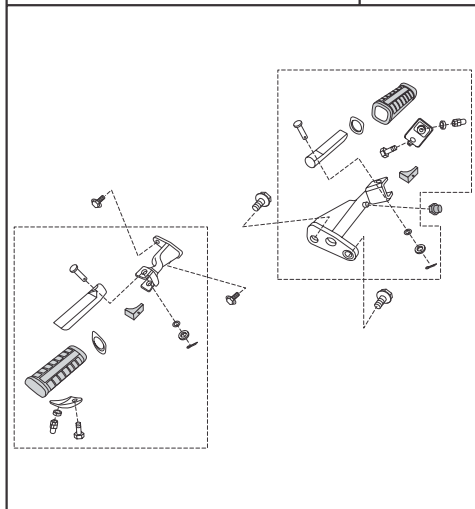
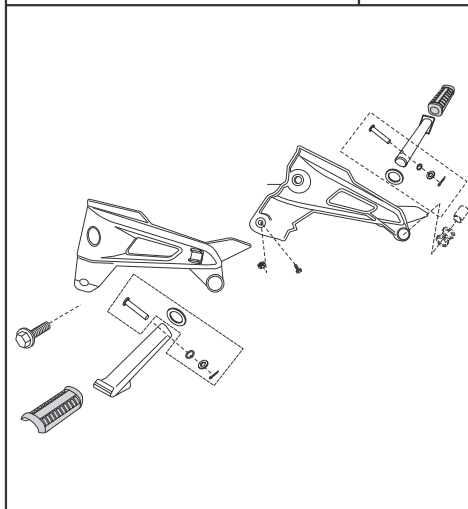


PLATE NO. : 28  
Pillion Foot Rest / Holder

PAGE NO.  
55 & 56



# Pictorial Index

PLATE NO. : 29  
MUDGUARD FRONT & REAR

PAGE NO.  
57 & 58

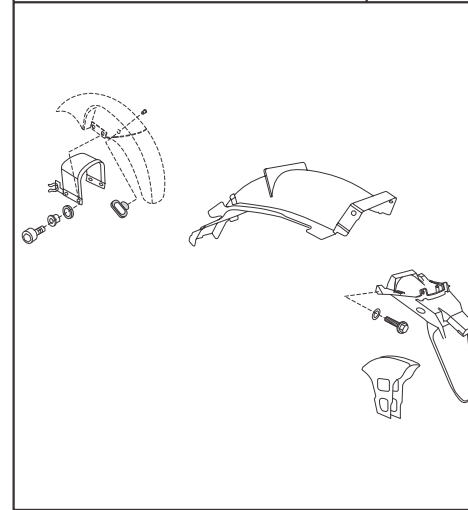


PLATE NO. : 30  
Stand Assembly

PAGE NO.  
59 & 60

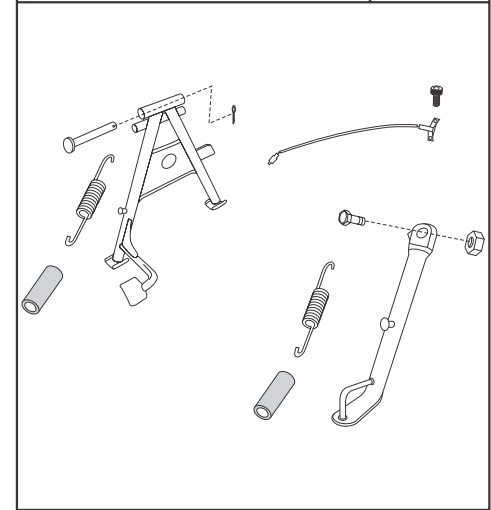


PLATE NO. : 31  
Tube / Tyre / Rim

PAGE NO.  
61 & 62

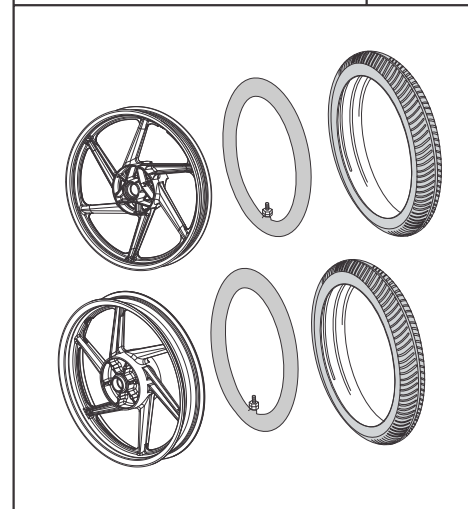
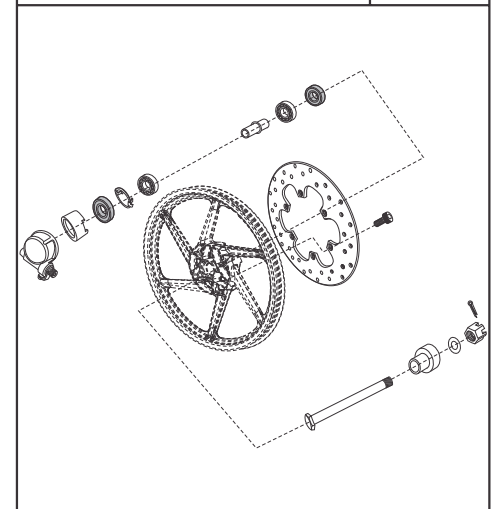


PLATE NO. : 32  
FRONT HUB (FOR DRUM BRAKE)

PAGE NO.  
63 & 64



# Pictorial Index

PLATE NO. : 33  
FR. Master Cylinder (For Disc Brake)

PAGE NO.  
65 & 66

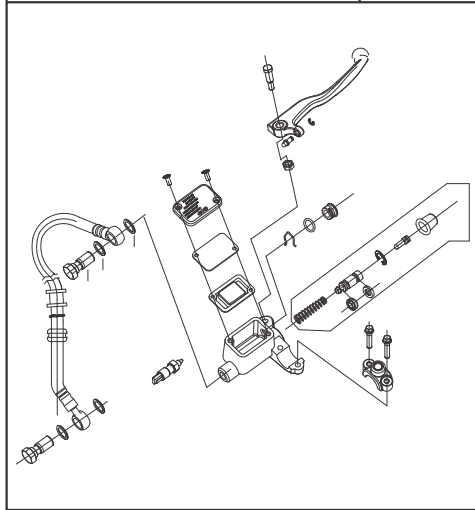


PLATE NO. : 34  
Front Master Cylinder

PAGE NO.  
67 & 68

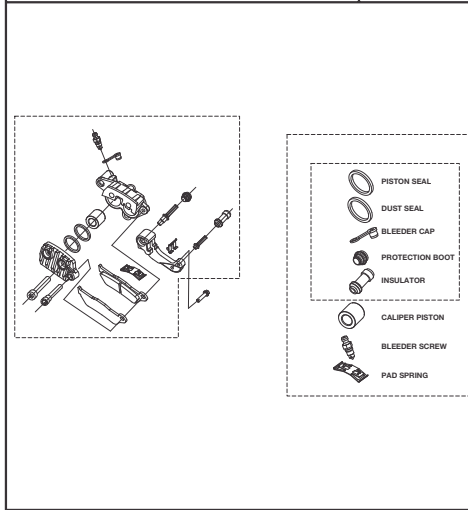


PLATE NO. : 35  
Rear Hub

PAGE NO.  
69 & 70

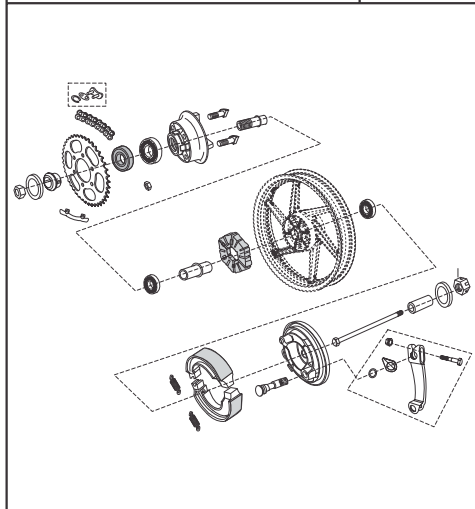
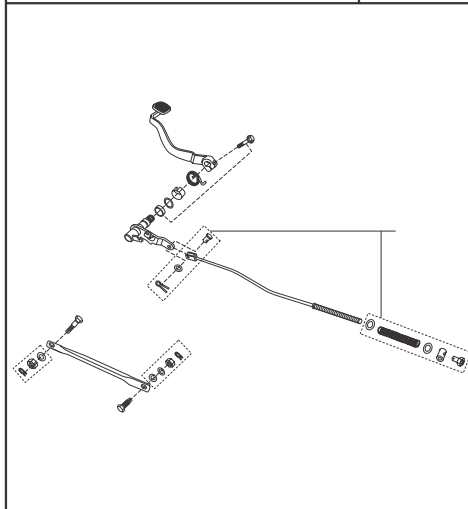


PLATE NO. : 36  
Rear Hub

PAGE NO.  
71 & 72



# Pictorial Index

PLATE NO. : 37  
Handle Bar

PAGE NO.  
73 & 74

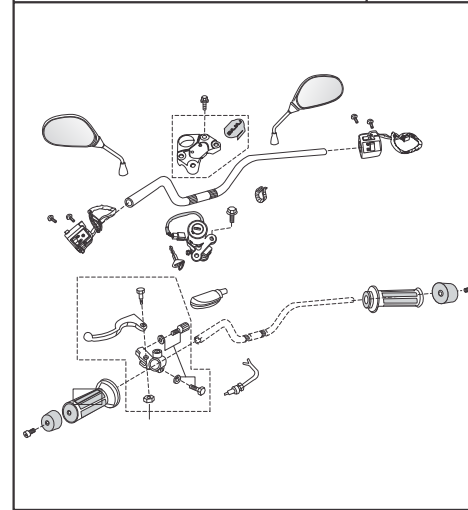


PLATE NO. : 37  
Handle Bar

PAGE NO.  
75/76/77/78

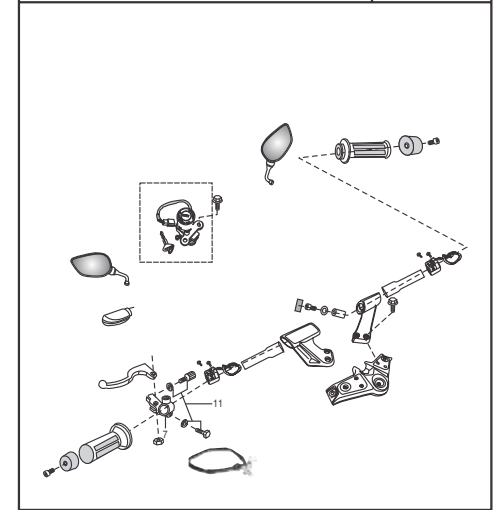


PLATE NO. : 38  
Handler Bar

PAGE NO.  
79 & 80

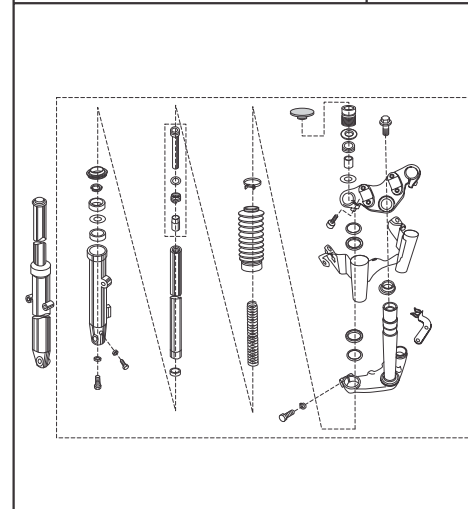
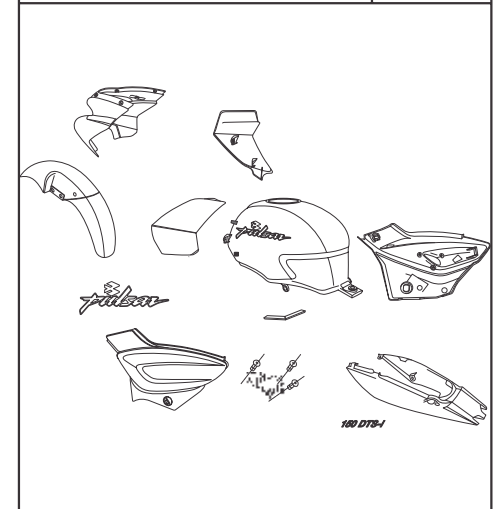


PLATE NO. : 39  
Painted Parts & Decals

PAGE NO.  
81/82/83/84



# Pictorial Index

PLATE NO. : 40 Cap Tank & Gauge Fuel	PAGE NO. 85 & 86

PLATE NO. : 41 Fittings P. Tank, Side Cover & Cover Seat	PAGE NO. 87 & 88

PLATE NO. : 42 Meter Assembly	PAGE NO. 89 & 90

PLATE NO. : 43 Control Cables	PAGE NO. 91 & 92

# Pictorial Index

PLATE NO. : 44 Chain Case	PAGE NO. 93 & 94

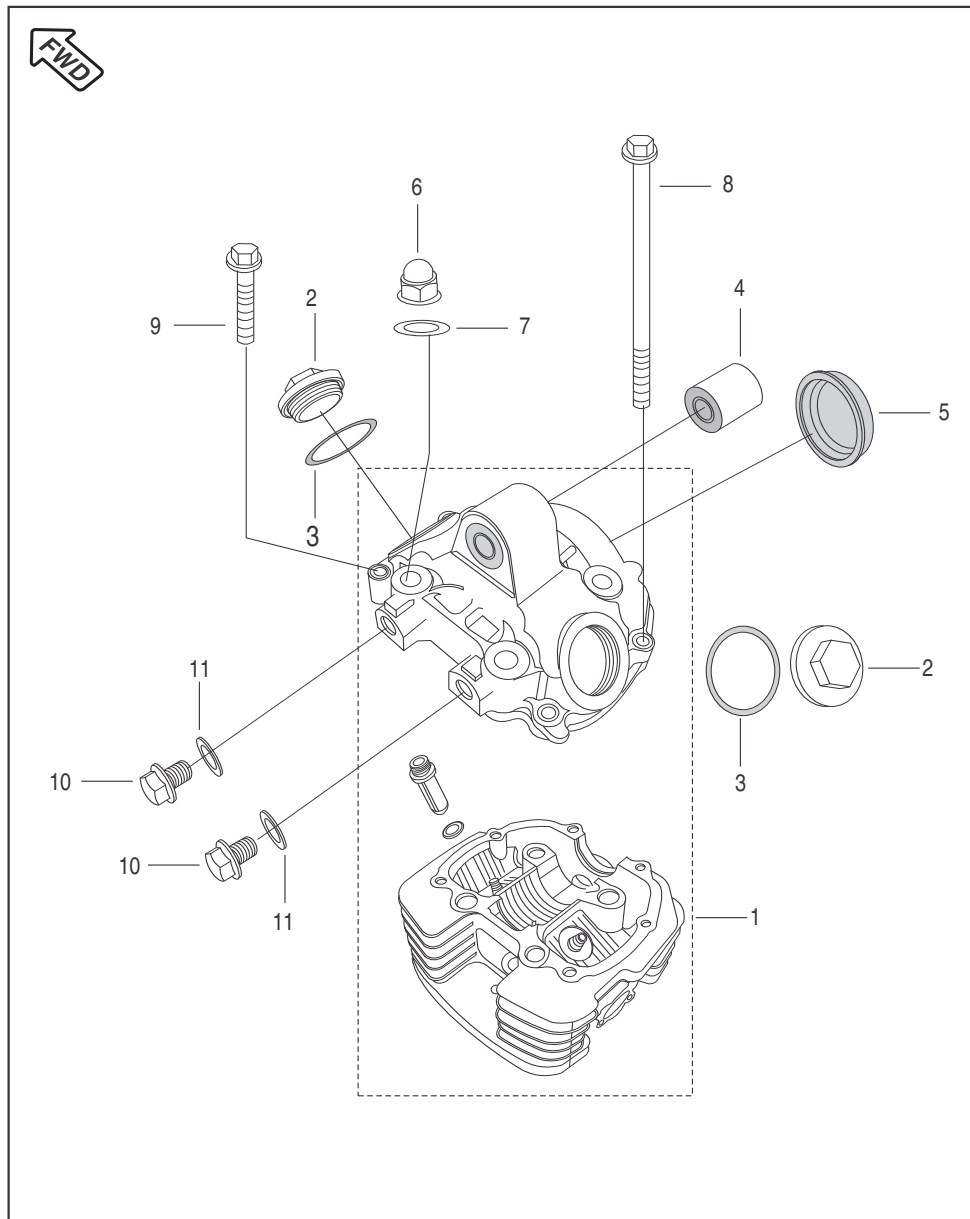
PLATE NO. : 45 Head Lamp & Fairing	PAGE NO. 95 & 96

PLATE NO. : 46 Indicator Light Assembly	PAGE NO. 97 & 98

PLATE NO. : 47 Tail Lamp Assly / FR & RR No. Plate	PAGE NO. 100 & 101

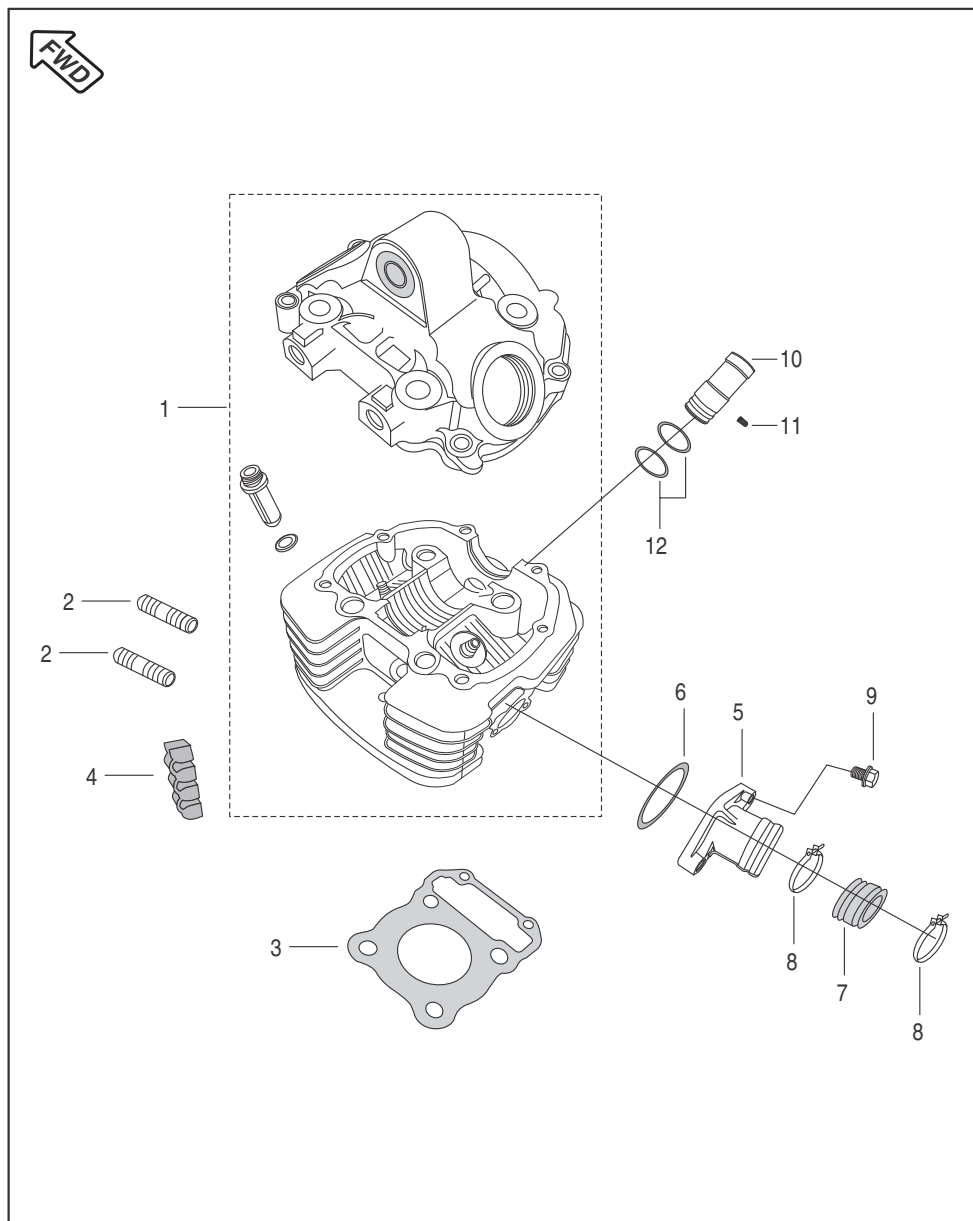


Cover Cylinder Head



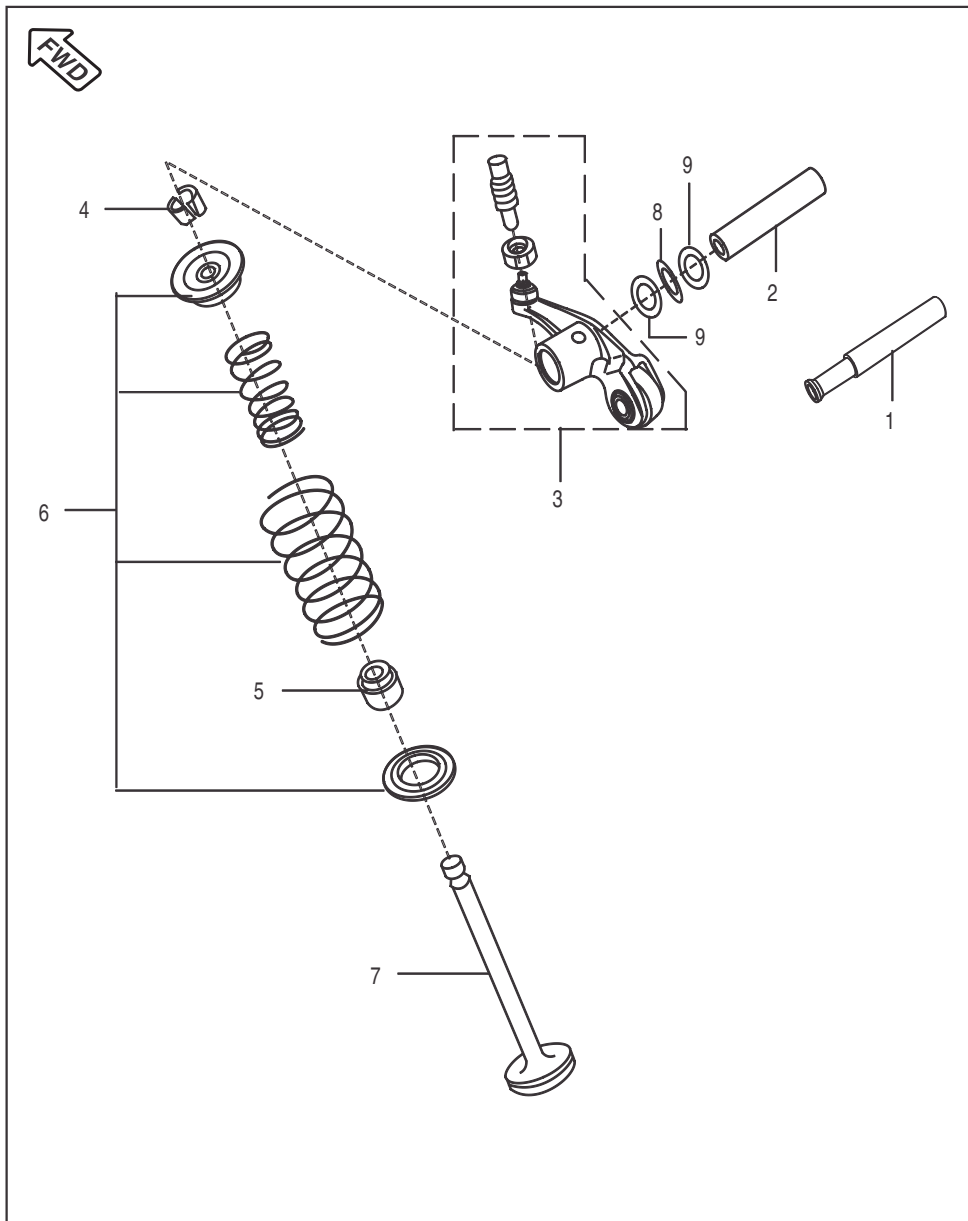
No.	Part No.	Description	Qty/Veh.	Remarks
1	DH 1018 63	Head Cylinder With Cover	1	C-40 dated 22/03/2012
	36 DH40 50	Kit Asly Cyl Head With Cover	1	
2	DJ 1012 17	Cover Tappet	2	
	52 JN01 35	Cover Tappet with 'O' ring	2	
3	36 DS10 01	'O' Ring Kit For Cover Cyl. Head	1	
4	DS 1011 66	Silent Bush (V)	1	
5	DS 1010 96	Camshaft Cap	1	
6	39 2647 15	Domed Cap Nut	4	
7	DS 1010 84	Copper Gasket	4	
8	39 2532 04	Hex. Bolt With Flange	2	
9	39 1075 04	Hex. Bolt / Flange	4	
10	DH 1012 72	Plug	2	
11	31 1011 06	Gasket	2	

Cylinder Head



No.	Part No.	Description	Qty/Veh.	Remarks
1	DH 1018 63	Head Cylinder With Cover	1	
	36 DH40 50	Kit Asly Cyl Head With Cover	1	C-40 dated 22/03/2012
2	39 1660 05	Stud (exhaust)	2	
3	DH 1016 80	Gasket Cylinder Head	1	
4	DH 1015 08	Damper Cylinder Head	5	
5	DH 1211 53	Intake Manifold	1	
	DH 1018 98	Intake Manifold	1	C-21 dated 29/01/2010
6	39 1283 21	'O' Ring (intake Pipe)	1	
7	DH 1211 06	Carburettor Insulator	1	
	DJ 1210 22	Carburettor Insulator	1	C-21 dated 29/01/2010
8	DH 1210 38	Clamp For Insulator	2	
9	39 1674 04	Hex. Bolt / Flange	2	
10	DH 1110 12	Sleeve - Spark Plug	1	
11	39 2608 01	Grub Screw	1	
12	36 DS10 01	'O' Ring Kit For Cover Cyl. Head	1	Tappet & Spark Plug Sleeve 'O' rings

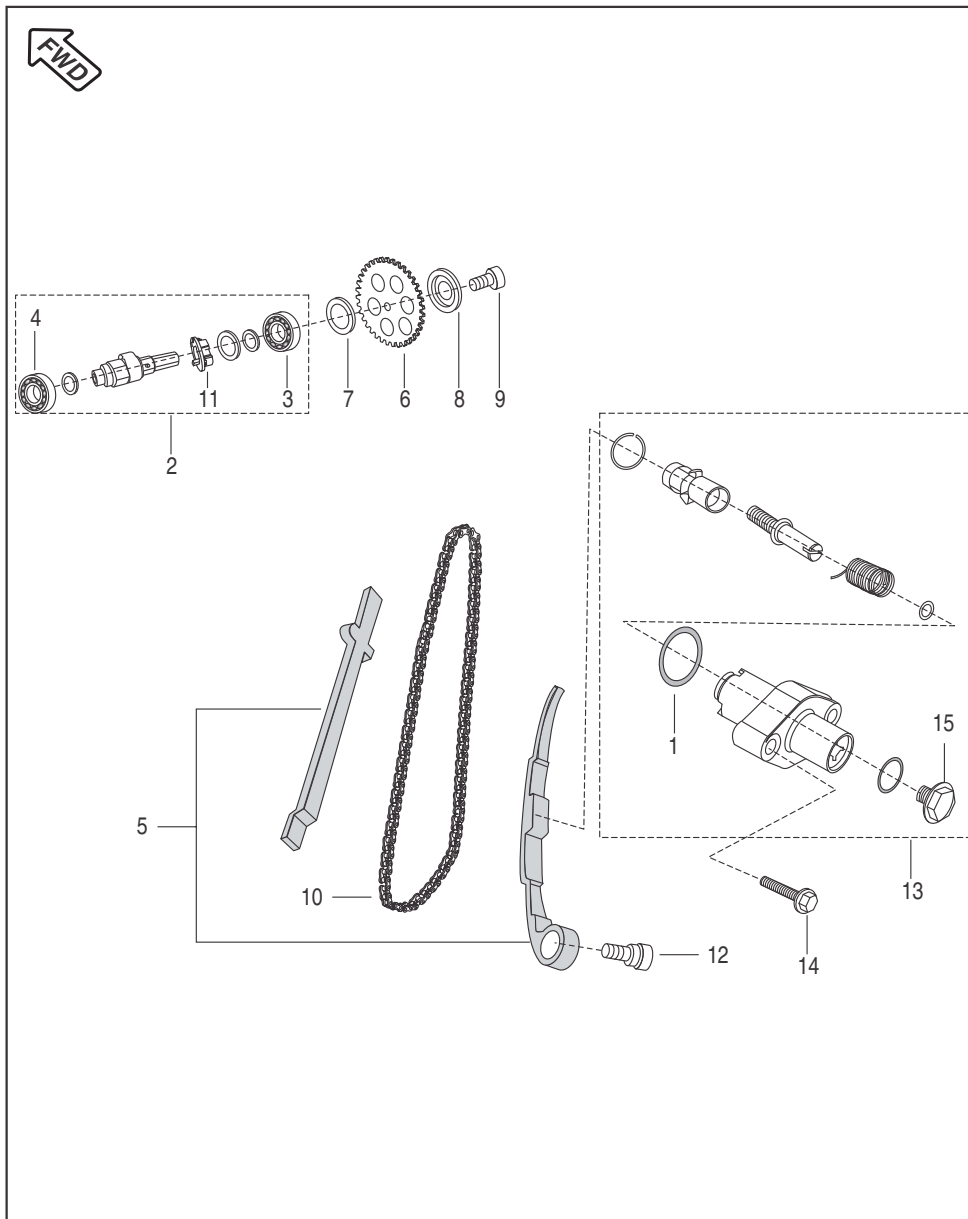
Valve



No.	Part No.	Description	Qty/Veh.	Remarks
1	DS 1013 35	Rocker Arm Shaft - Intake	1	
	DK 1017 48	Rocker Arm Shaft - Intake	1	C-40 dated 22/03/2012
2	DS 1013 36	Rocker Arm Shaft - Exhaust	1	
	DK 1017 51	Rocker Arm Shaft - Exhaust	1	C-40 dated 22/03/2012
3	DS 1013 33	Rocker Arm With Roller	2	
	DK 1017 55	Rocker Arm With Roller	2	C-40 dated 22/03/2012
4	DG 1010 29	Cotter Valve	4	
5	39 2017 19	Seal Valve Stem	2	
6	36 DK00 05	Valve Repair Kit	1	Refer Kit Details
	DK 1013 26	Valve Repair Kit	1	C-21 dated 29/01/2010
7	36 DS10 02	Valve Kit	1	Refer Kit Details
8	DS 1013 66	Wave Washer	2	
	DH 1012 95	Wave Washer	2	C-40 dated 22/03/2012
9	59 1100 02	Plain Washer	4	
	39 2440 11	Plain Washer	4	C-40 dated 22/03/2012

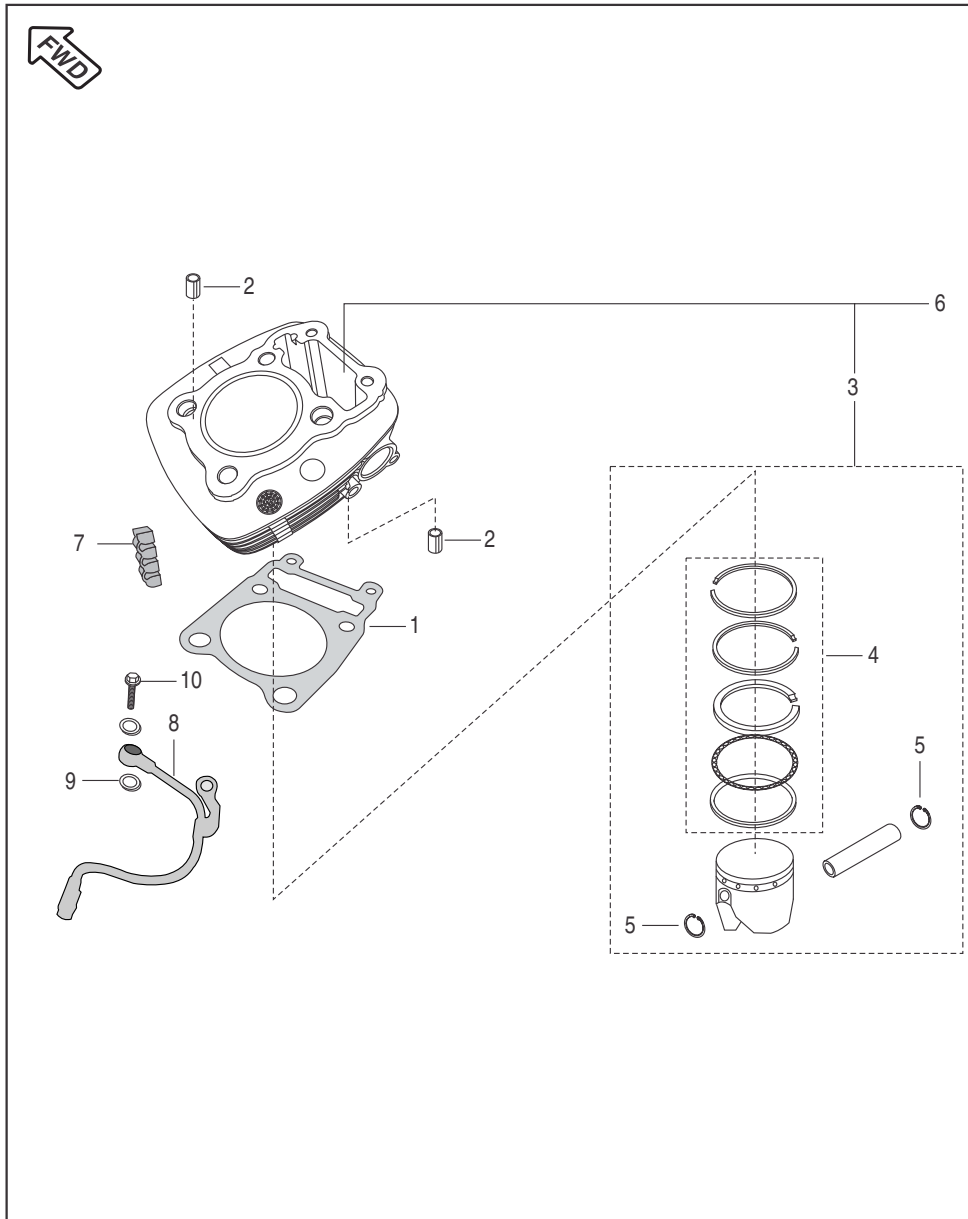


Camshaft / Tensioner



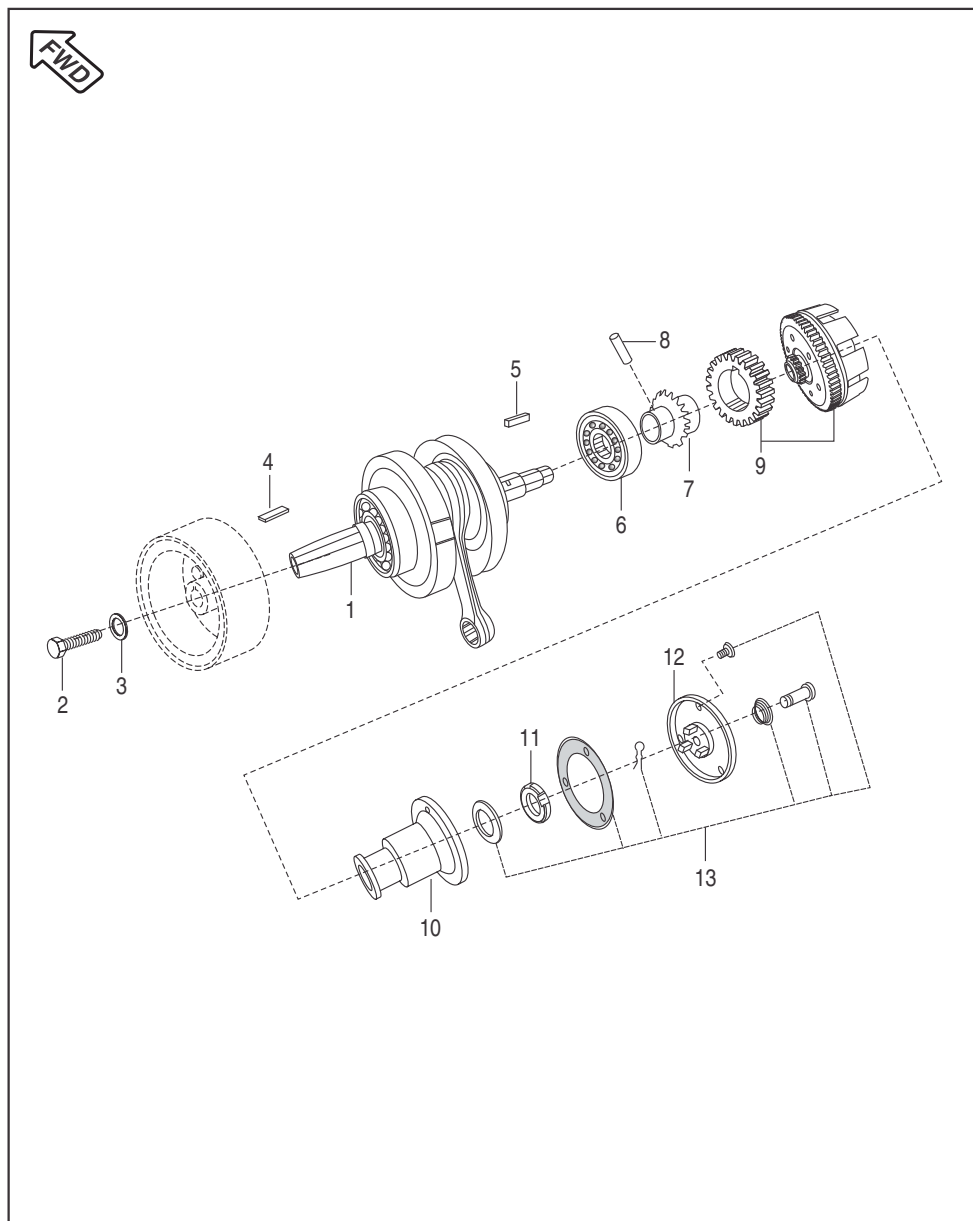
No.	Part No.	Description	Qty/Veh.	Remarks
1	CS 1011 28	Gasket Tensioner Assly	1	
2	DH 1017 03	Camshaft Assly	1	
	DH 1019 03	Camshaft Assly W/O De-Comp Unit	1	From Engine No. DHGBSD96696
	DK 1016 14	Camshaft Assly W/O De-Comp	1	C-21 dated 29/01/2010
3	39 2542 20	Bearing Cam RH Side	1	6302 - Rs1/c3
4	39 2617 20	Bearing Cam LH Side	1	6002 - C3
5	36 DK00 39	Guide Chain Kit	1	Refer Kit Details
	36 DH40 30	Guide Chain Kit	1	From 22.08.2010
6	DS 1012 76	Sprocket Cam Driver	1	
7	DH 1014 12	Collar Cam Sprocket	1	
8	DH 1010 48	Special Camshaft Washer	1	
9	DH 1013 87	Hex. Soc. Head Cap Bolt	1	
10	DH 1010 50	Cam Chain	1	
	JC 1010 35	Cam Chain	1	C-21 dated 29/01/2010
11	DJ 1011 37	De-comp Assly.	1	
12	DH 1013 92	Cam Chain Tensioner Pivot Bolt	1	
13	JC 1010 34	Tensioner Assly	1	
14	39 1674 04	Hex Bolt / Flange	2	
15	DD 1010 62	Bolt	1	

Cylinder and Piston



No.	Part No.	Description	Qty/Veh.	Remarks
1	DH 1010 16	Gasket Cylinder	1	NS
2	39 2181 06	Pin Dowel	4	
3	DH 1016 65	Piston Assly. Std.	1	
4	36 DJ40 08	Ring Set Piston	1	
5	DH 1016 71	Ring Snap	2	
6	DH 1018 64	Cylinder Block / Piston Assly	1	
7	DH 1014 14	Damper Cylinder Block	4	
8	DK 1015 92	Assembly Oil Pipe	1	
9	31 1210 06	Gasket	4	
10	DD 1210 07	Bolt	2	

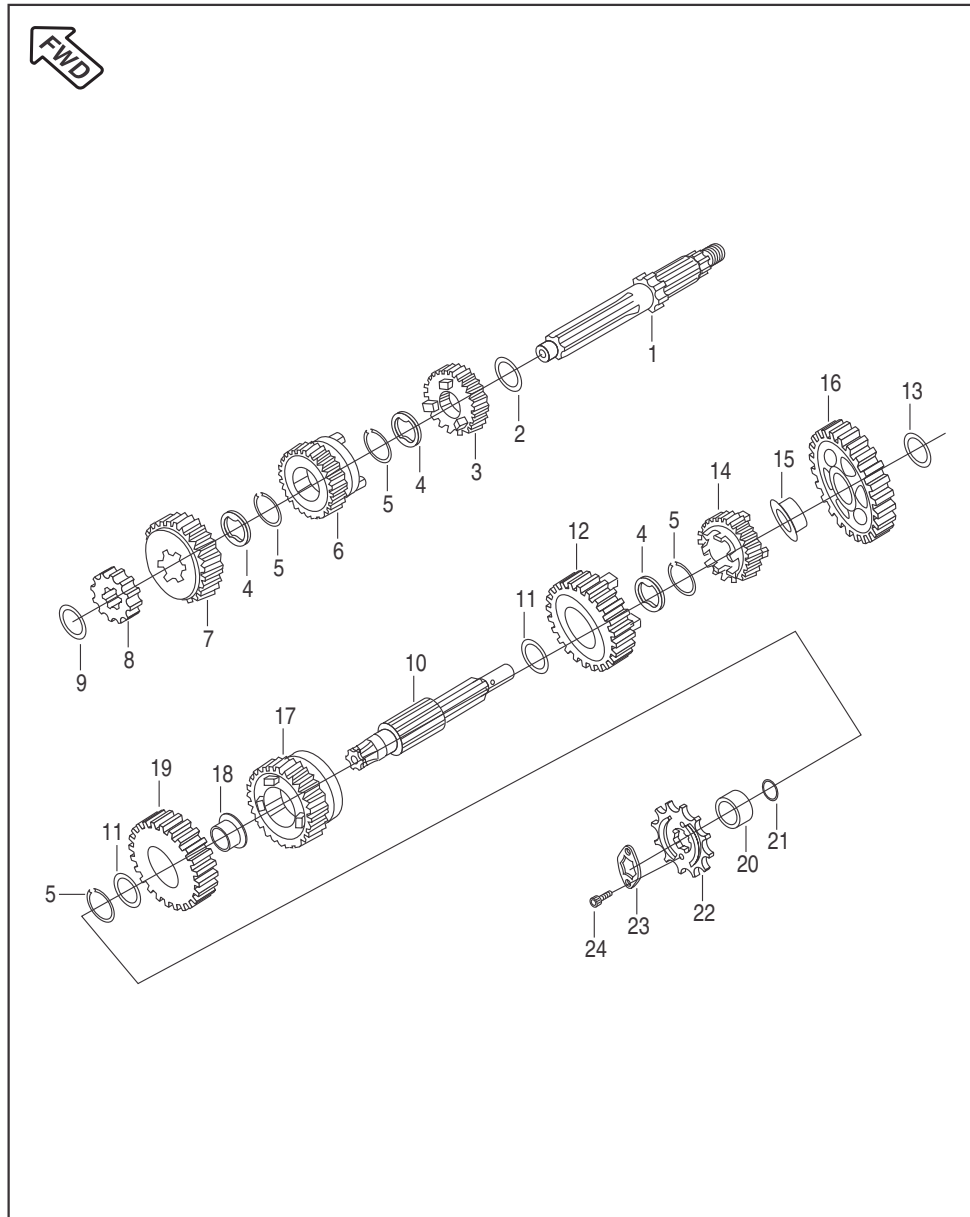
Crank shaft



No.	Part No.	Description	Qty/Veh.	Remarks
1	DH 1016 72	Crankshaft Assly. Comp.	1	
2	39 2183 04	Bolt	1	
3	39 2165 11	Plain Washer	1	
4	31 1011 73	Key Woodruff	1	
5	DS 1011 54	Square Key	1	
6	39 2561 20	Bearing Ball	1	
7	DS 1012 75	Sprocket Cam Drive	1	
8	39 2203 07	Parallel Pin	1	
9	36 DH40 09	Set Primary Driver & Driven	1	Refer Kit Details
10	DH 1010 64	Body Centrifugal Oil Filter	1	
11	DH 1011 95	Nut	1	7mm. (height)
12	DH 1010 65	Cover Centrifugal Oil Filter	1	
13	36 DH40 19	Kit Centrifugal Oil Filter	1	Refer Kit Details

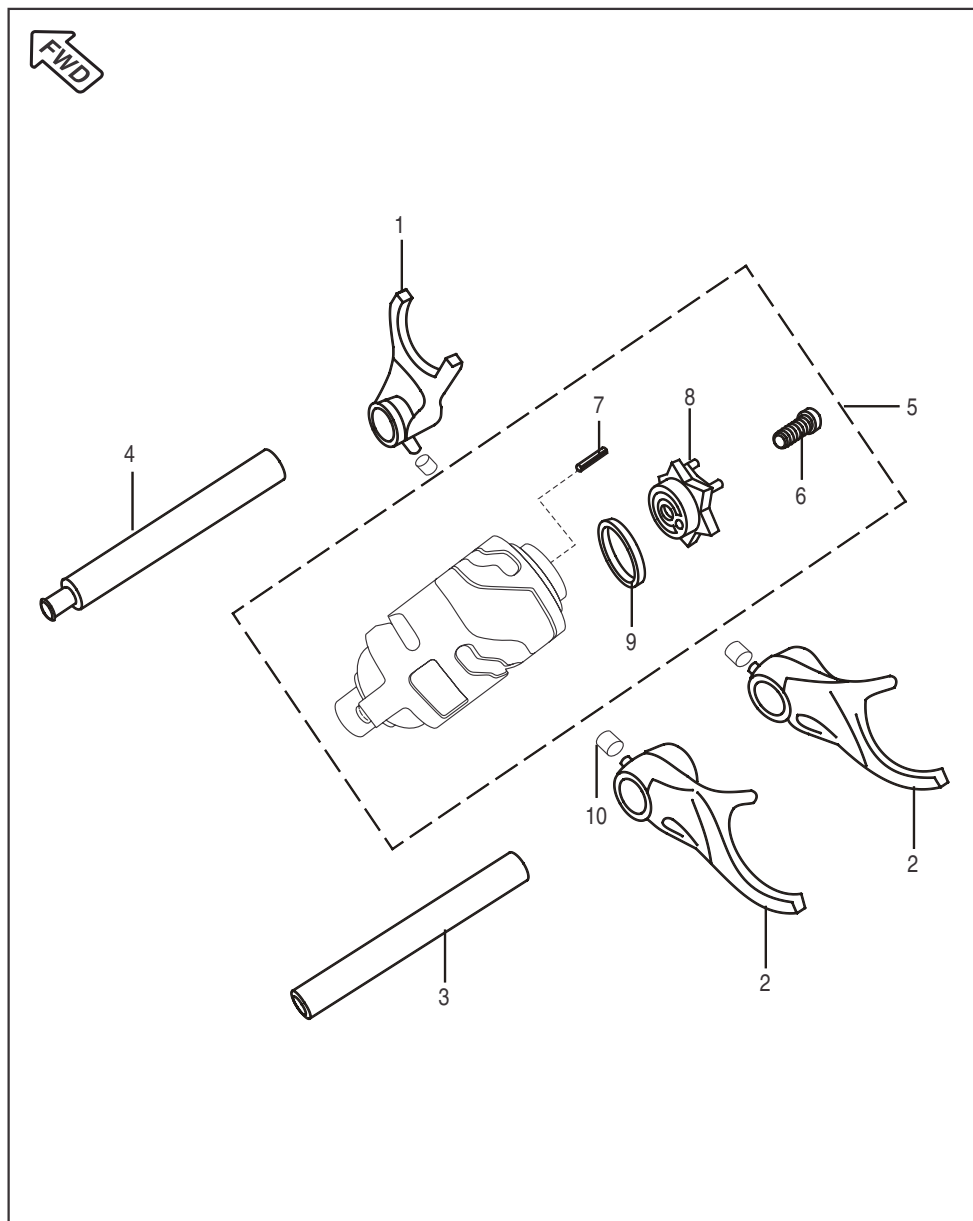


Transmission



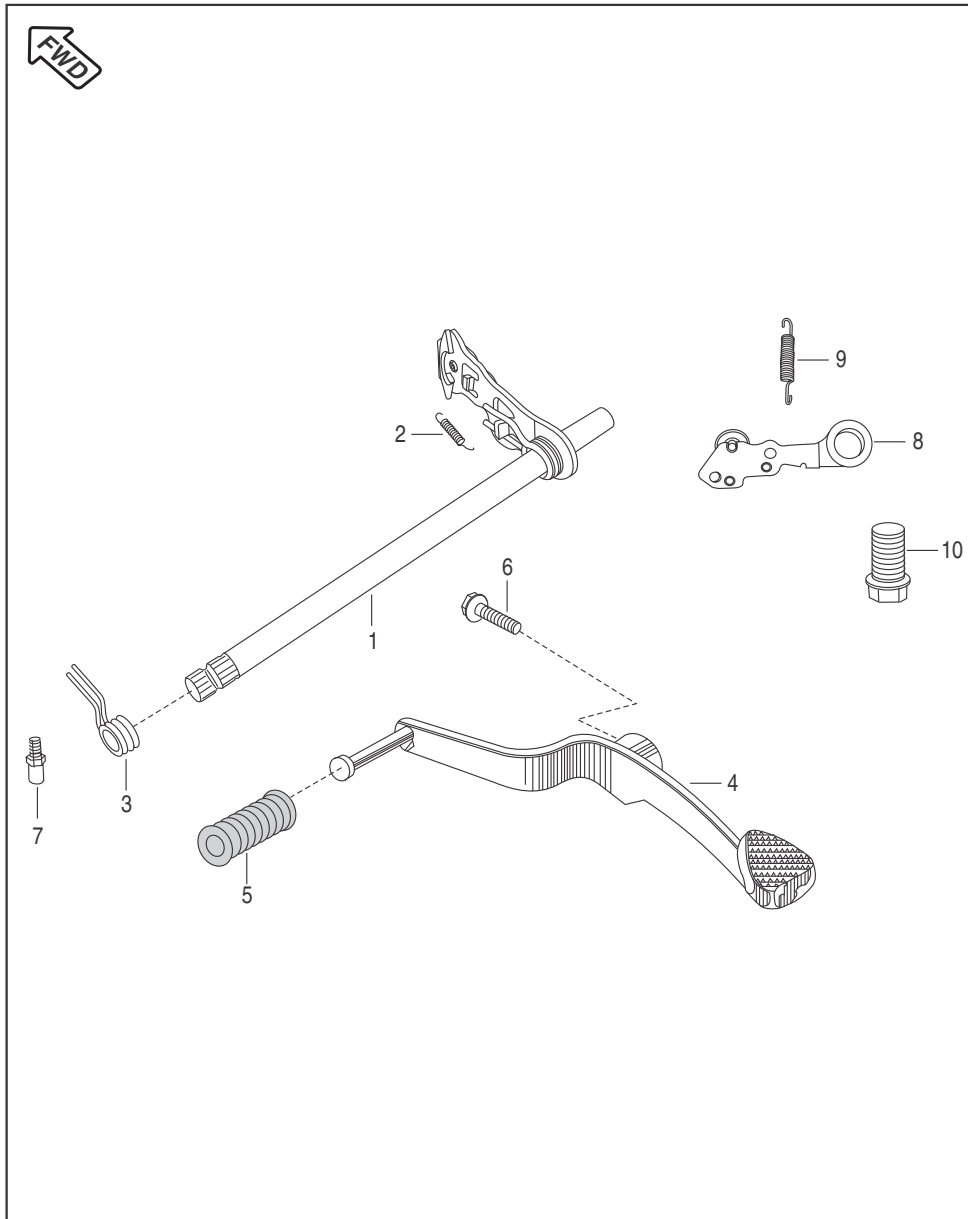
No.	Part No.	Description	Qty/Veh.	Remarks
1	DK 1014 71	Shaft Input Transmission	1	
2	39 2158 11	Plain Washer	1	
3	DH 1010 78	Gear 4th Drive	1	
4	DH 1010 79	Washer Spline	3	
5	DH 1012 35	External Circlip	4	
6	DH 1010 80	Gear 3rd Drive	1	
7	DH 1010 82	Gear 5th Drive	1	
8	DH 1010 84	Gear 2nd Drive	1	
9	39 2160 11	Plain Washer	1	
10	DH 1014 16	Shaft Output Transmission	1	
11	DH 1013 36	Washer Thrust	2	
12	DH 1011 08	Gear 3rd Driven	1	
13	39 2159 11	Plain Washer	1	
14	DH 1011 10	Gear 4th Driven	1	
15	DH 1011 11	Bush 1st Driven	1	
16	DJ 1011 10	Gear 1st Driven	1	
17	DH 1011 13	Gear 5th Driven	1	
18	DH 1013 19	Bush 2nd Driven	1	
19	DH 1013 33	Gear 2nd Driven	1	
20	DH 1013 34	Collar Sprocket	1	
21	30 1010 61	'O' Ring Sprocket Coller	1	
22	DH 1011 17	Sprocket Drive	1	
23	DJ 1010 63	Plate Drive Sproket	1	
24	39 1062 04	Bolt Drive Sprocket	2	

Change Drum / Shaft Fork



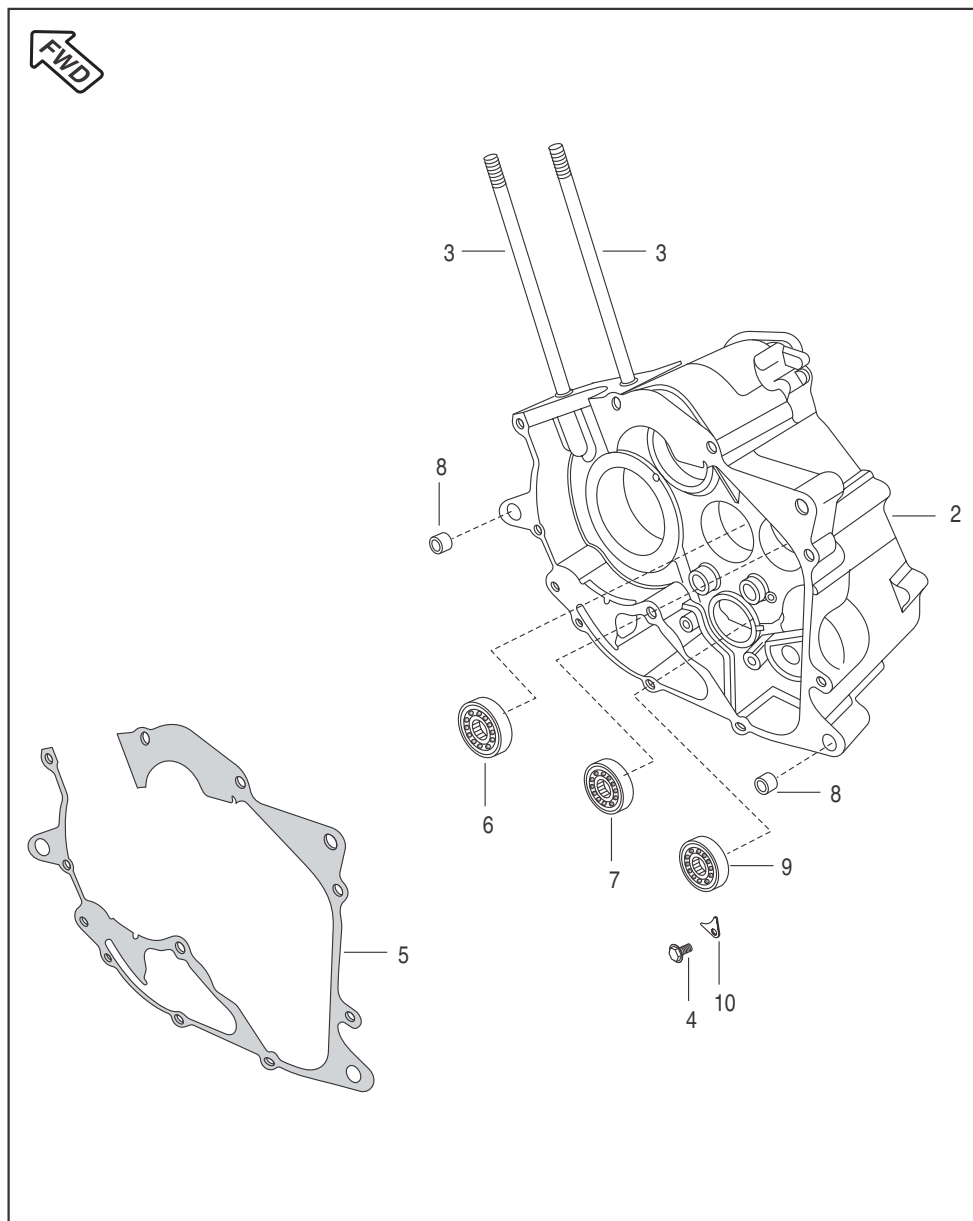
No.	Part No.	Description	Qty/Veh.	Remarks
1	DK 1011 59	Fork Gear Shift Input	1	
2	DK 1011 60	Fork Gear Shift Output	2	
3	DH 1011 46	Shaft Gear Shift Fork	1	
4	DH 1014 93	Shaft Gear Shift Fork	1	
5	DK 1013 82	Drum Comp. Gear Shift	1	
	DK 1017 32	Drum Comp. Gear Shift	1	C-42 dated 17/12/2012
6	39 2639 04	Bolt Socket	1	
7	39 2606 07	Parallel Pin	1	
8	DK 1013 61	Guide Gear Shifter	1	
	DH 1021 89	Guide Gear Shifter	1	Ser Bulletin_2016_33
9	DH 1014 96	Spacer	1	
10	DK 1011 35	Bush Fork Gear Shift	3	

Gear Change Mechanism



No.	Part No.	Description	Qty/Veh.	Remarks
1	DH 1017 05	Lever Comp. Gear Shifter	1	
	DK 1017 33	Lever Comp. Gear Shifter	1	C-42 dated 17/12/2012
2	DH 1011 43	Spring Slider Arm Reset	1	
3	DH 1011 44	Spring Gear Shifter Return	1	
	DK 1017 22	Spring Gear Shifter Return	1	C-42 dated 17/12/2012
4	DH 1013 97	Lever Comp. Change	1	
5	DH 1015 09	Damper	1	
6	39 2453 04	Flanged Bolt	1	
7	DH 1013 93	Bolt Gear Shift Drum Stopper	1	
8	DH 1015 03	Stopper Gear Shifter Drum	1	
	DK 1017 25	Stopper Gear Shifter Drum	1	C-42 dated 17/12/2012
9	DH 1015 02	Spring Gear Shifter Drum Stopper	1	
10	DH 1013 94	Bolt Shift Change	1	

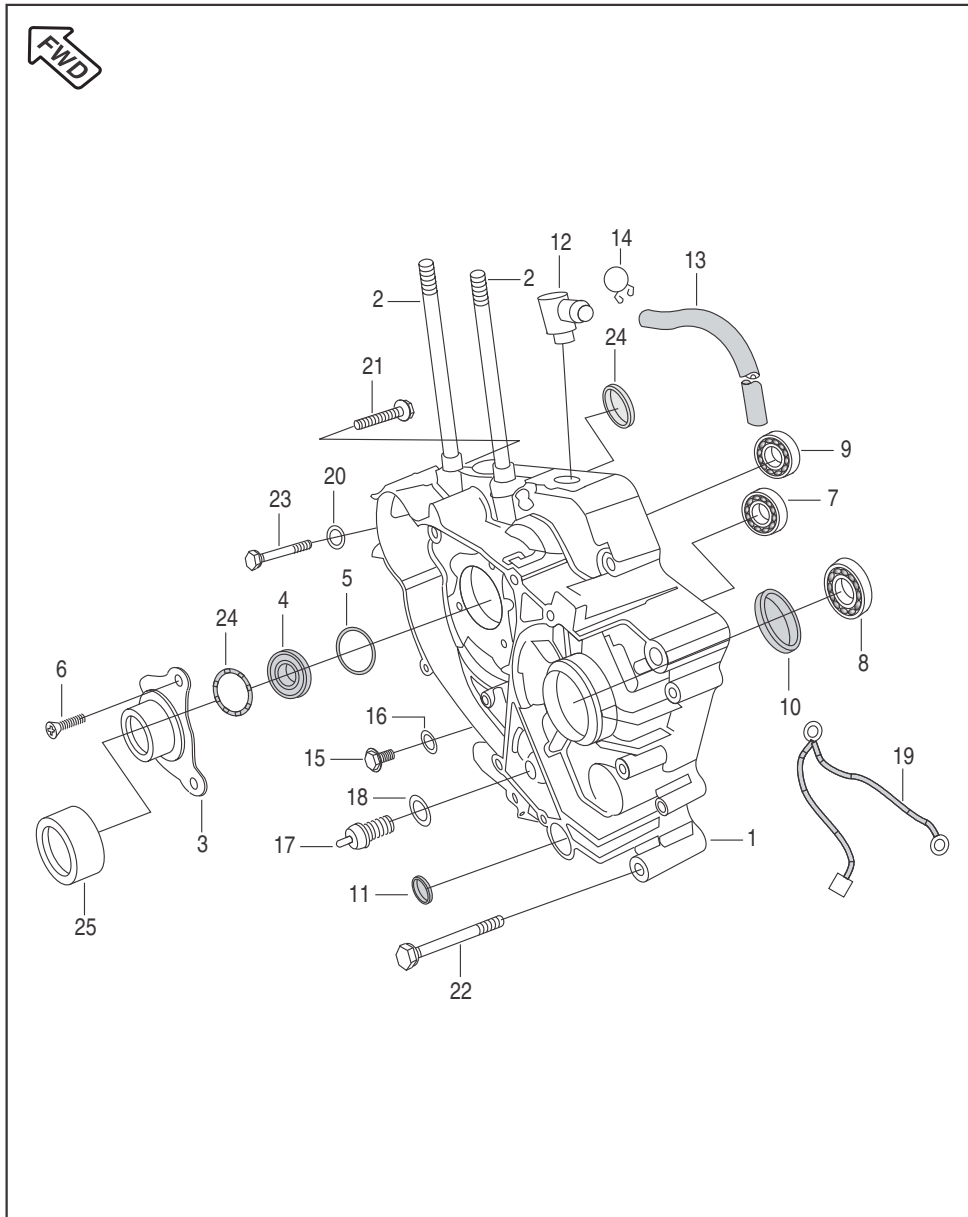
Engine Assly. & Crankcase RH



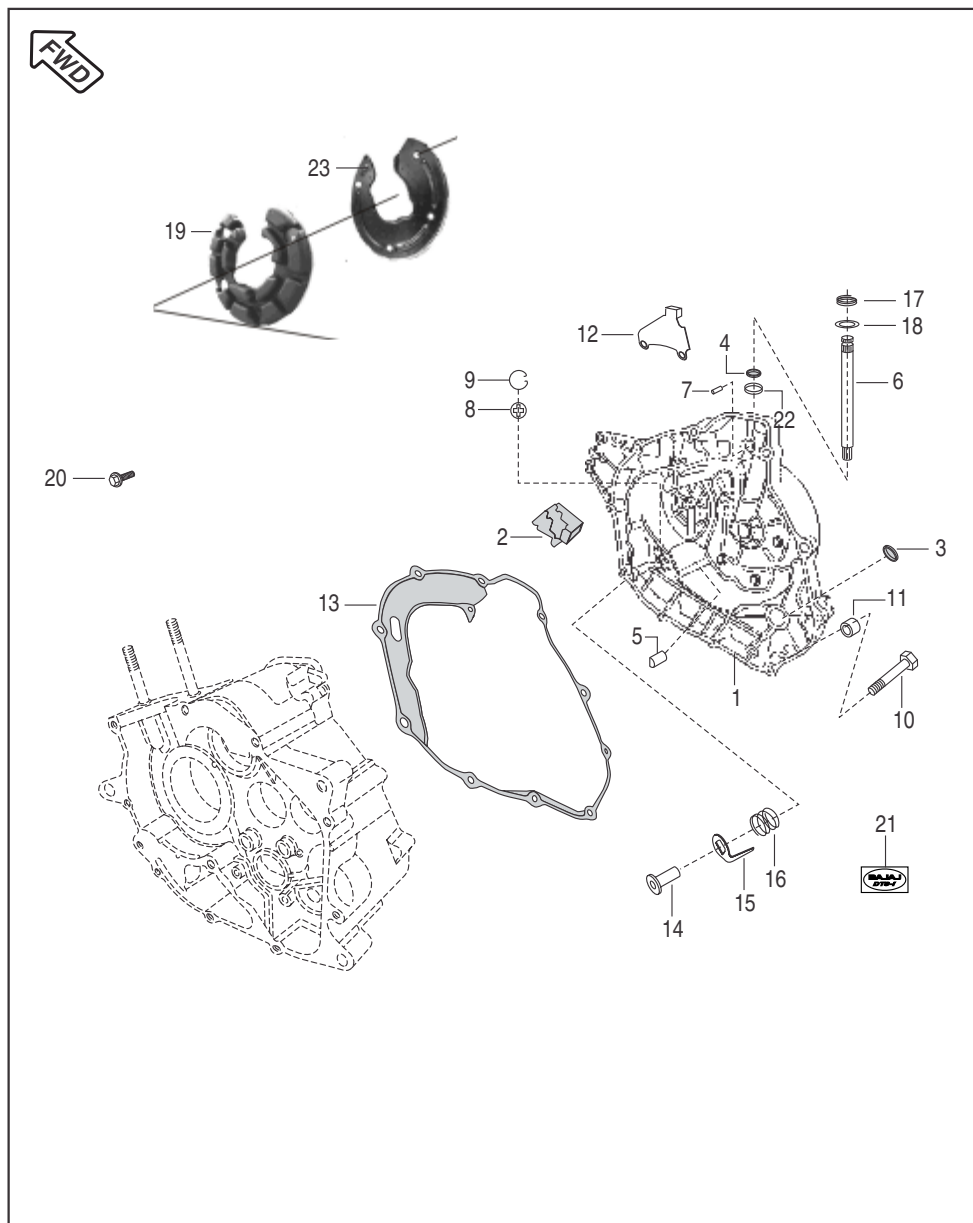
No.	Part No.	Description	Qty/Veh.	Remarks
1	DH 1018 69	Engine Assly. With Starter Motor	1	C-21 dated 29/01/2010 From 03.09.2011
	DH 1019 19	Engine Assly. With Starter Motor	1	
	DH 1020 56	Engine Assly. With Starter Motor	1	
2	DJ 1012 13	Crankcase RH	1	
3	39 2531 05	Stud	2	
4	39 1062 04	Bolt Flanged	1	
5	DH 1010 06	Gasket Crankcase	1	
6	39 2583 20	Bearing Ball (For Input Shaft)	1	
7	39 2602 20	Bearing Ball (For Output Shaft)	1	
8	39 2180 06	Dowel Pin	2	
9	39 2601 20	Ball Bearing	1	(For Dr. Comp. Gear Shift)
10	DH 1014 87	Plate Stopper	1	



Crankcase LH



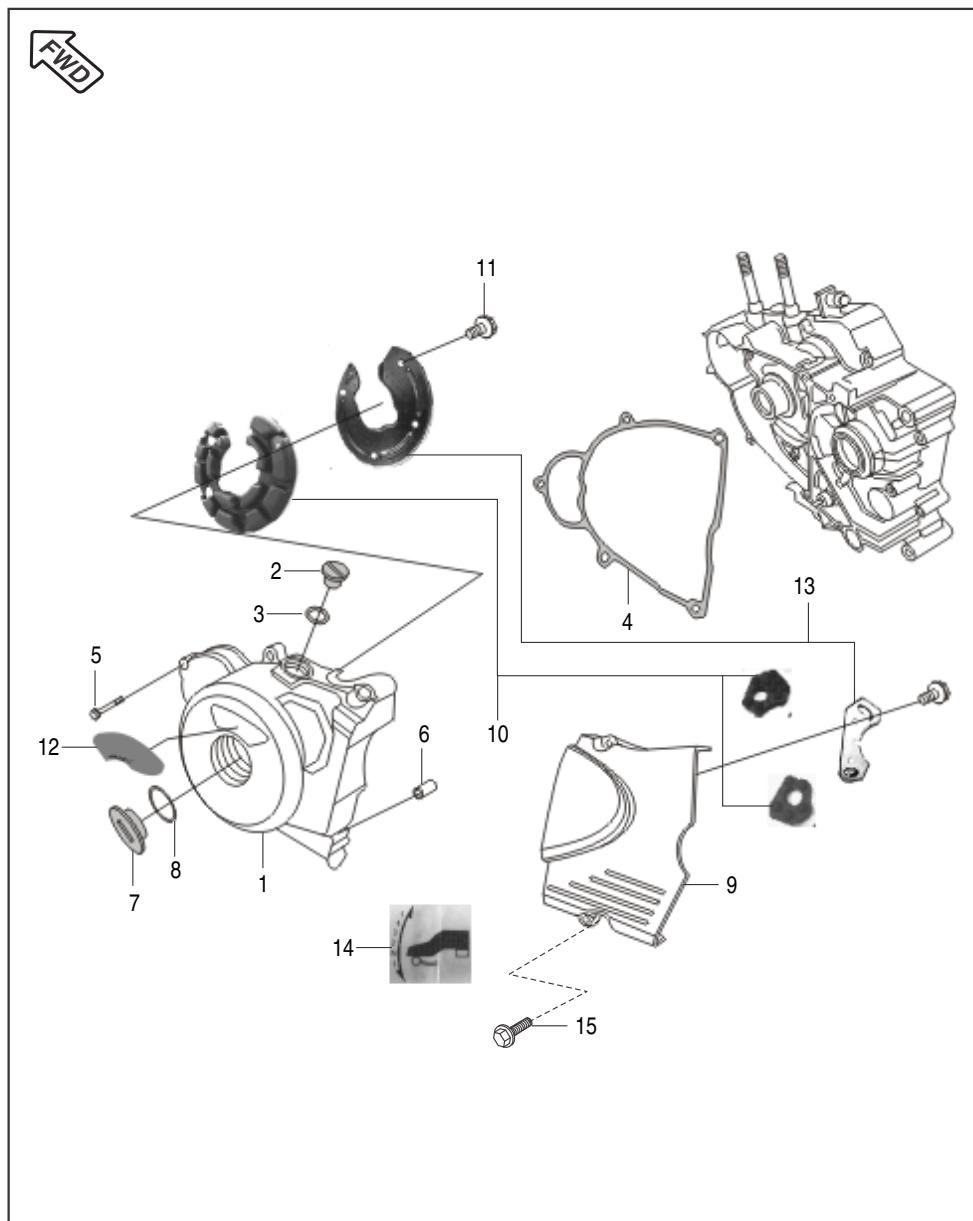
No.	Part No.	Description	Qty/Veh.	Remarks
1	DJ 1013 44	Crankcase LH	1	
2	39 2531 05	Stud	2	
3	DH 1016 54	Guide Starter Assly	1	
4	39 1715 19	Oil Seal	1	
5	DH 1014 23	O' Ring	1	
6	39 0752 01	C' Sunk Head Screw	3	
7	39 2603 20	Bearing Ball (for Input Shaft)	1	
8	39 2583 20	Bearing Ball (for Output Shaft)	1	
9	39 2185 20	Balancer LH Bearing	1	
	59 20002 9	Balancer LH Bearing	1	Changed from JAN 16
10	39 2189 19	Oil Seal (For Output Shaft)	1	
11	39 2190 19	Oil Seal (For Shift Lever)	1	
12	DH 1012 03	Breather Pipe	1	
13	DH 1012 46	Rubber Tube	1	
14	28 1011 74	Spring Clip	1	
15	DH1016 61	Plug (Drain Bolt)	1	
16	31 1011 06	Gasket (For Drain Bolt)	1	
17	DK 1013 80	Switch Comp.(Neutral)	1	
18	DH 1017 84	Gasket Neutral Switch	1	
19	DJ 2010 21	Cable Assly. (Battery To Earth)	1	
20	39 2448 11	Plain Washer	1	
21	39 1845 04	Flanged Bolt	1	
22	39 1677 04	Bolt	8	
23	39 2305 04	Bolt	1	
24	DH 1014 22	Damper	1	
25	DH 1011 69	Bush Starter Gear Inner	1	
26	39 1013 21	O Ring Neutral Switch	1	
	KJ AB10 19	O Ring Neutral Switch	1	Changed from JAN 16



Cover RH

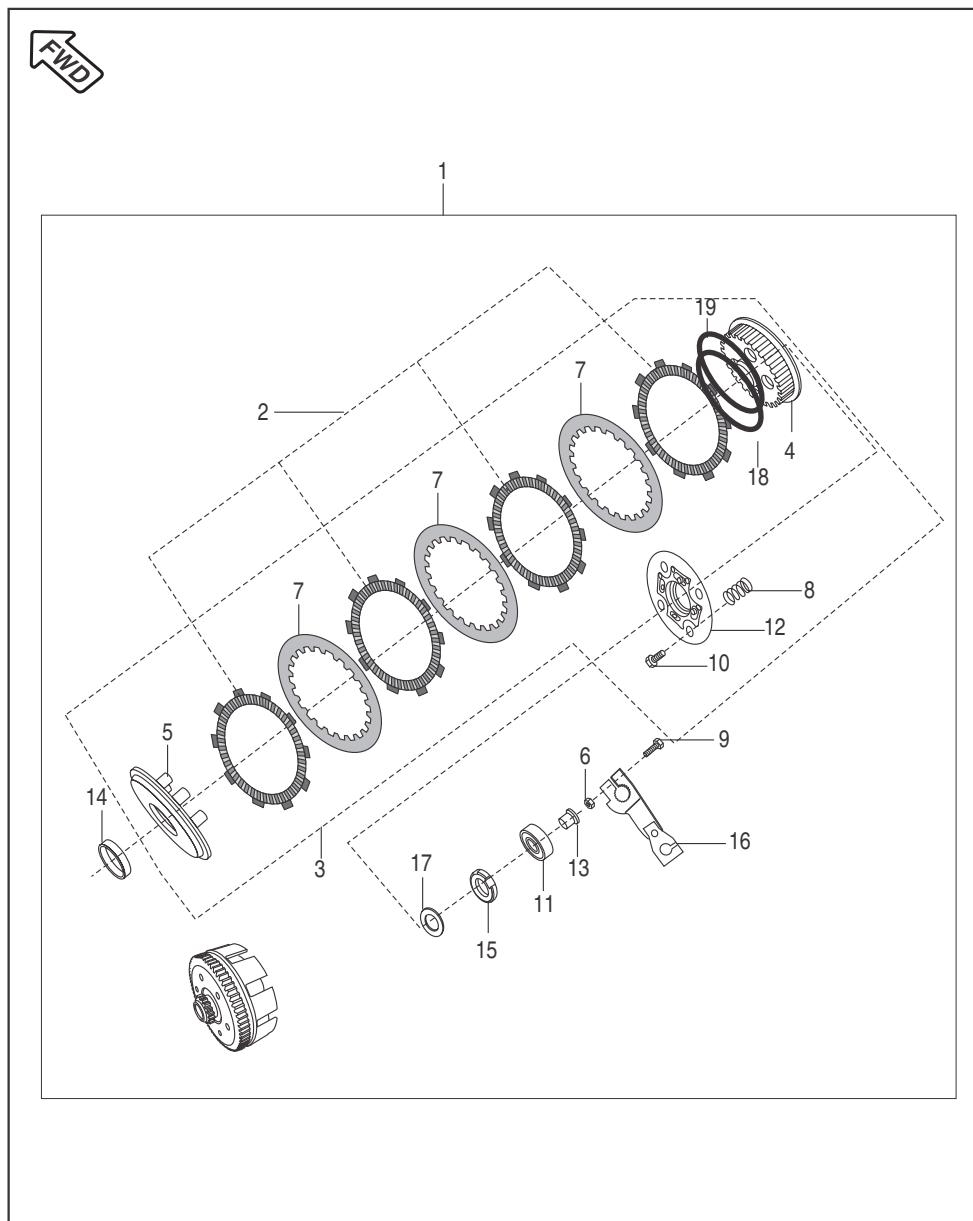
No.	Part No.	Description	Qty/Veh.	Remarks
1	52 DJ 01 96	Cover Comp RH	1	
	36 DH40 31	Kit Cover Comp RH-Flower Type	1	From 01.12.2010
	36 DH40 44	Kit Asly CI Cover Slv	1	From 03.09.2011
2	DH 1011 97	Grommet Breather	1	
3	30 1011 42	Seal Kick Shaft	1	
4	39 1041 19	Seal Clutch Lever	1	
5	DH 1011 41	Rack	1	
6	DH 1011 42	Shaft Clutch Release	1	
7	39 2202 07	Parallel Pin	1	
8	DG 1014 18	Gauge	1	
9	DS 1012 15	Wire Circlip	1	
10	DS 1013 53	Bolt	10	
11	39 0999 06	Pin Dowel	2	
12	DH 1010 18	Bracket Clutch Cable	1	
13	DH 1011 54	Gasket Cover RH	1	
14	DK 1014 80	Plunger Oil	1	
15	DH 1210 11	Plate Plunger Oil	1	
16	DH 1210 12	Spring Joint 'A'	1	
17	DH 1015 44	Spring Torsion Clutch Lever	1	
18	39 2443 11	Washer	1	
19	DH 1015 10	Damper Clutch Cover	1	
20	39 2208 04	Flanged Bolt	8	
21	DS 1012 52	'BAJAJ' Decal	1	Fitted On Cover Comp. RH
	DK 1017 38	Decal DTS-i	1	From 01.12.2010
22	DS 1012 01	Bushing	1	
23	DH 1014 82	Plate Damper	1	

Cover Magneto



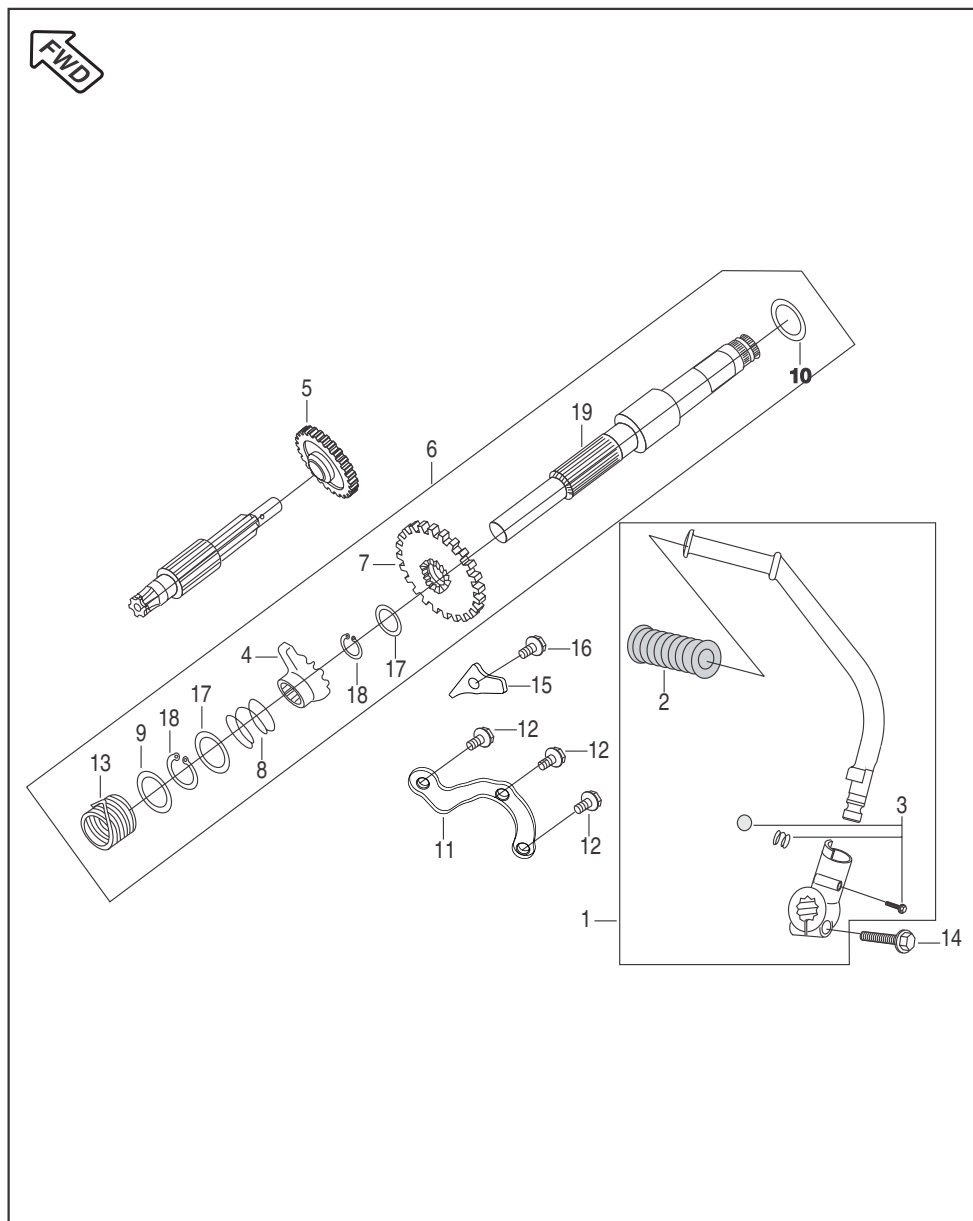
No.	Part No.	Description	Qty/Veh.	Remarks
1	DJ 1012 71	Cover Magneto	1	
	52 DH06 24	Cover Magneto-Flower Type	1	From 01.12.2010
	52 DH06 86	Cover LH Asly Silver	1	From 03.09.2011
2	DH 1011 57	Cap Timing Hole	1	
3	39 1283 21	'O' Ring	1	
4	DV 1010 42	Gasket Magneto Cover	1	
5	DS 1013 53	Bolt	5	
6	39 0999 06	Pin Dowel	2	
7	DH 1011 57	Cap Crank Center	1	
8	39 1283 21	'O' Ring	1	Alt To 39 2452 21
9	DJ 1012 68	Cover LH RR	1	
	52 DH06 95	Cover LH RR	1	From 03.09.2011
10	36 DH10 06	Set Damper	1	Refer Kit Details
11	39 2208 04	Flanged Bolt	4	
12	DH 1013 23	'BAJAJ' Decal	1	Fitted On Cover Magneto
	JE 5412 12	Decal DTS-i	1	From 01.12.2010
13	36 DH10 07	Set Of Plate	1	Refer Kit Details
14	DJ 1610 12	Gear Shift Label	1	
15	DS 1013 53	Bolt	2	
16	DH 1021 66	Dust Seal	1	Ser Bulletin_2016_22

Clutch



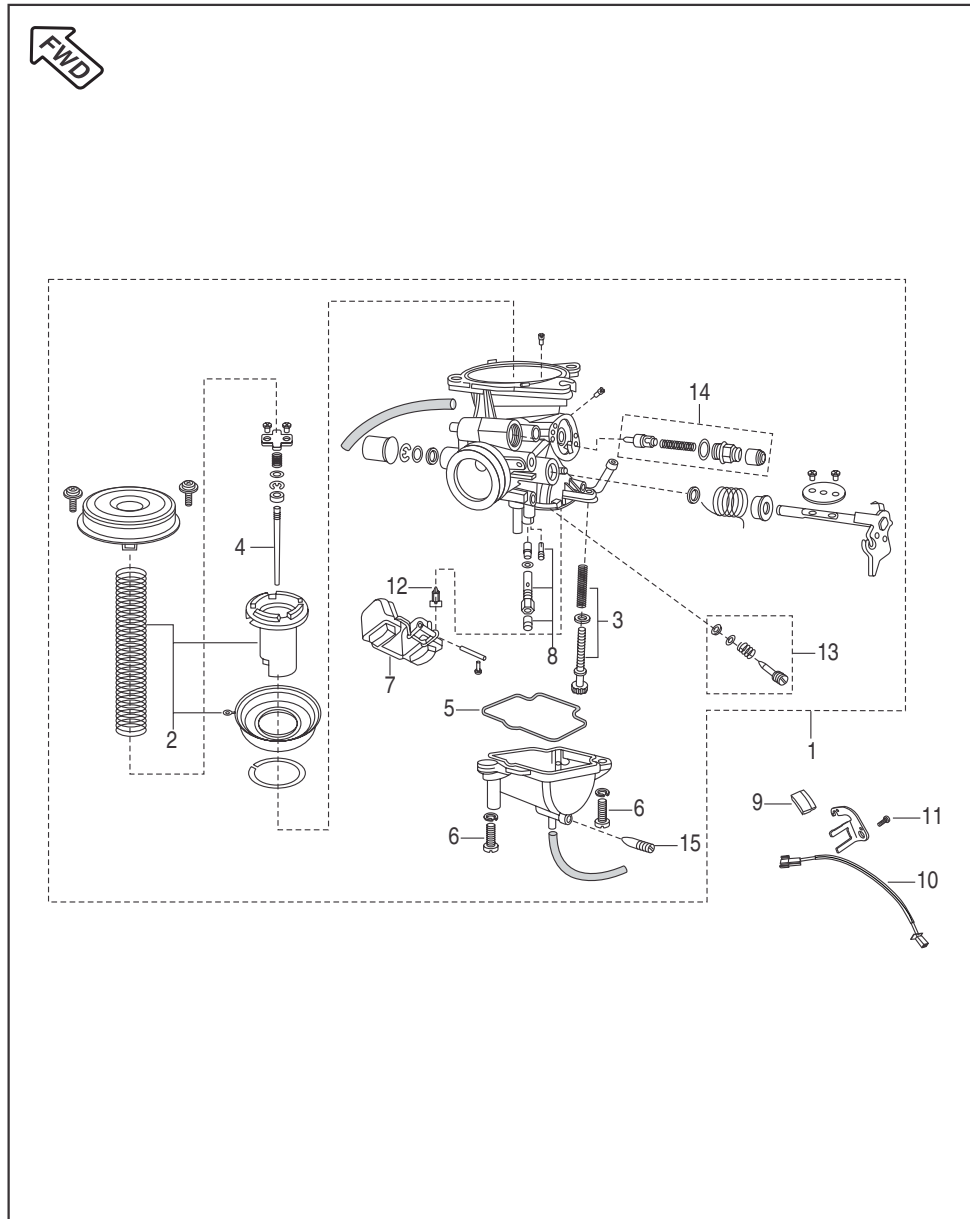
No.	Part No.	Description	Qty/Veh.	Remarks
1	DH 1018 53	Clutch Assly. Complete	1	
	DH 1020 87	Clutch Assly. Complete HTTS	1	Ser Bulletin 2015-46
2	DH 1018 77	Friction Clutch Plate Kit	1	
	36 DH40 95	Friction Clutch Plate Kit HTTS	1	Ser Bulletin 2015-46
3	DH 1018 60	Clutch Plate Assly.	1	
	DH 1020 89	Clutch Plate Assly. HTTS	1	Ser Bulletin 2015-46
4	DH 1018 62	Clutch Center	1	
	DH 1020 92	Clutch Center HTTS	1	Ser Bulletin 2015-46
5	DK 1015 69	Plate Clutch Pressure	1	
	DH 1020 93	Plate Clutch Pressure HTTS	1	Ser Bulletin 2015-46
6	DH 1012 75	Special Nut	1	
7	DK 1015 65	Plate Clutch	4	
	36 Dh40 94	Kit Plate Clutch HTTS	1	Ser Bulletin 2015-46
8	DH 1018 61	Spring Clutch Capacity	5	
	DH 1020 96	Spring Clutch Capacity HTTS	1	Ser Bulletin 2015-46
9	39 1674 04	Bolt	1	
10	Dk 1015 74	Bolt	1	
11	39 2617 20	Bearing Clutch Lifter Thrust	1	
	DH 1017 95	Bearing Clutch Lifter Thrust HTTS	1	Ser Bulletin 2015-46
12	DK 1015 73	Holder Clutch	1	
	DH 1020 94	Holder Clutch HTTS	1	Ser Bulletin 2015-46
13	DH 1014 85	Rod Clutch Lifter	1	
14	DK 1011 26	Spacer Clutch	1	
15	DH 1016 48	Nut Primary Drive Lock	1	LH Thread
16	DH 1011 80	Lever Assly. Clutch	1	
	DK 1016 36	Lever Assly. Clutch	1	From Engine No. DHGBSA16533
17	39 2200 11	Washer Primary Drive Gear	1	
18	DK 1015 70	Seat Judder Spring	1	
	DH 1020 98	Seat Judder Spring HTTS	1	Ser Bulletin 2015-46
19	DK 1015 71	Spring Judder	1	
	DH 1020 97	Spring Judder HTTS	1	Ser Bulletin 2015-46

Kick Starter Mechanism



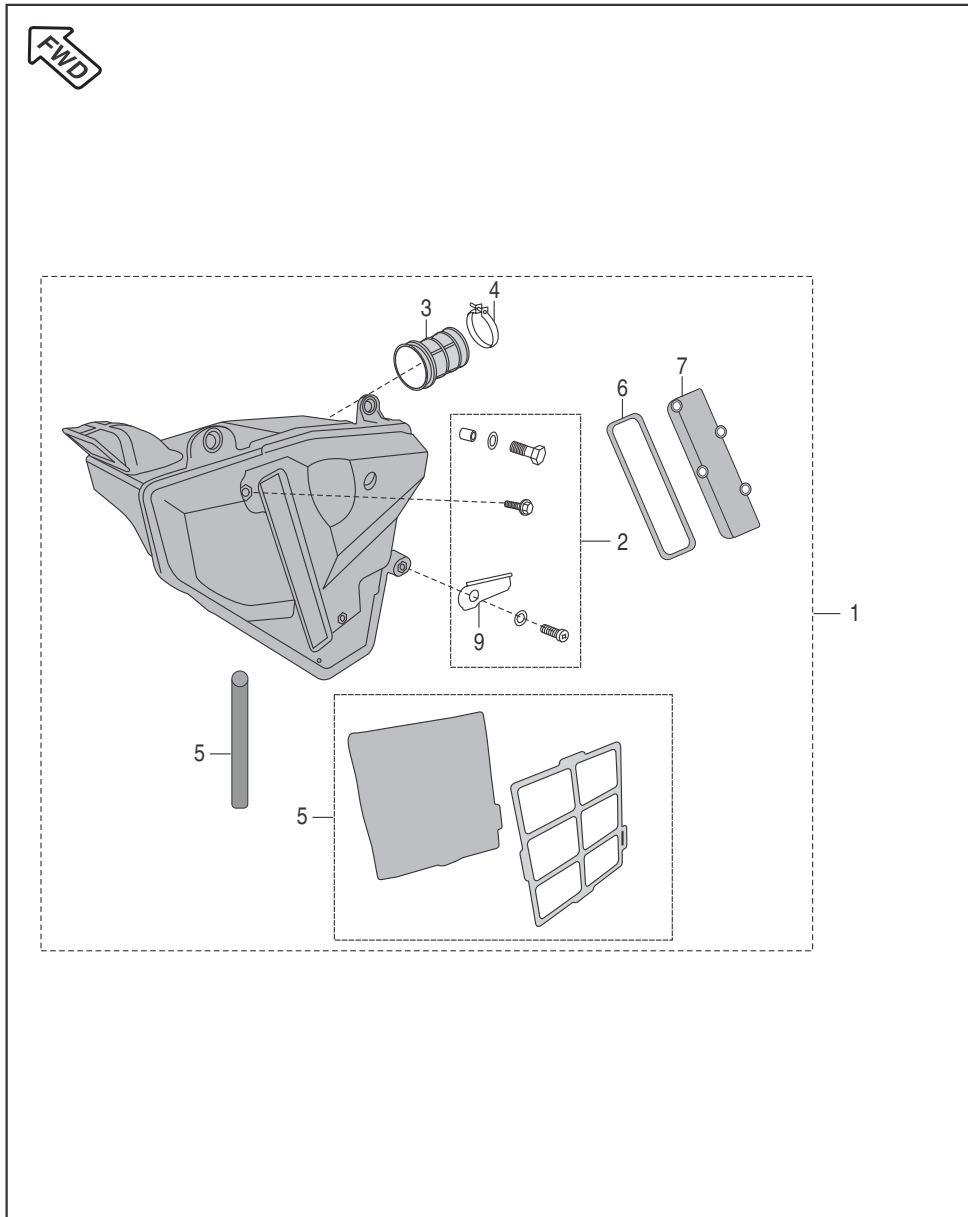
No.	Part No.	Description	Qty/Veh.	Remarks
1	DH 1015 45	Lever Kick Starter Complete	1	Refer Kit Details
2	DD 1010 97	Damper	1	
3	36 DH10 08	Boss Kick Set	1	
4	DH 1015 37	Ratchet Kick Starter	1	
5	DH 1015 31	Gear Kick Idler	1	
6	DH 1015 40	Spindle Kick Starter Assly	1	
7	DH 1013 53	Pinion Kick Starter	1	
8	DH 1011 21	Spring For Kick Starter Ratchet	1	
9	39 0993 11	Washer Thrust	1	
10	39 2344 11	Plain Washer	1	
11	DH 1015 36	Guide Kick	1	
12	DH 1016 47	Bolt Flanged	3	
13	DH 1011 25	Spring Kick Starter Return	1	
14	DH 1013 21	Bolt Flange	1	
15	DH 1015 38	Stopper	1	
16	DH 1013 85	Bolt Flanged	1	
17	39 2276 11	Washer	2	
18	39 0738 17	Circlip	2	
19	DH 1015 39	Spindle Kick Shaft	1	

Carburettor



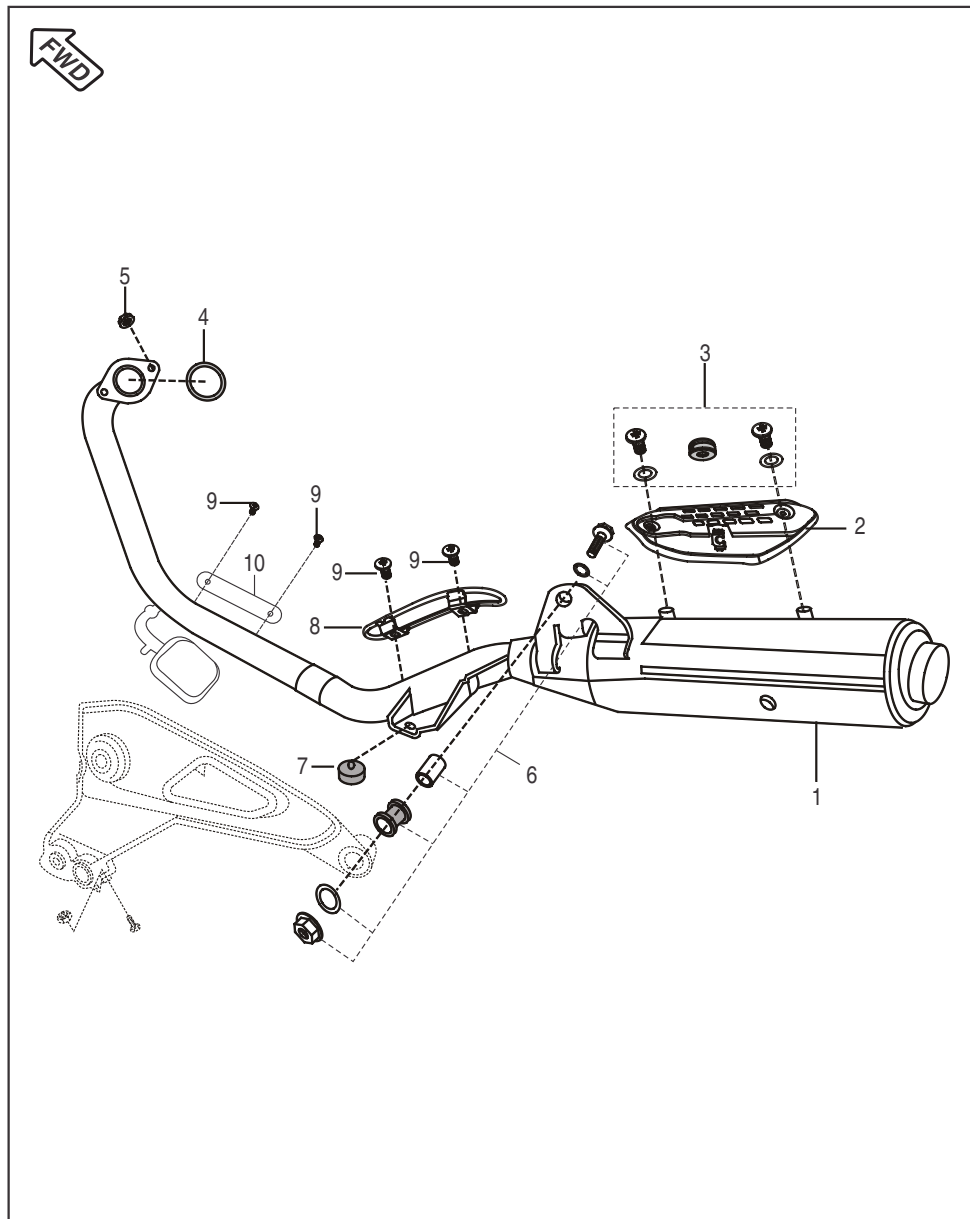
No.	Part No.	Description	Qty/Veh.	Remarks
1	DH 1211 38	Carburettor Assly.	1	
	DH 1211 54	Carburettor Assly.	1	C-21 dated 29/01/2010
	DH 1211 88	Carburettor Assly.	1	C-46 dated 31/03/2014
2	DH 1211 48	Vacuum Piston Kit	1	
	DH 1211 71	Vacuum Piston Kit	1	C-21 dated 29/01/2010
3	DH 1211 49	Idling Screw Kit	1	
	DH 1211 68	Idling Screw Kit	1	C-21 dated 29/01/2010
4	DH 1211 41	Jet Needle(jin)	1	
	DH 1211 73	Jet Needle(jin)	1	C-21 dated 29/01/2010
5	DJ 1210 53	"O" Ring	1	
6	DJ 1210 54	Screw	2	
	DH 1211 61	Screw	2	C-21 dated 29/01/2010
7	DJ 1210 55	Float Assly.	1	
	DH 1211 62	Float Assly.	1	C-21 dated 29/01/2010
8	36 DH12 03	Jet Kit	1	
	DH 1211 66	Jet Kit	1	C-21 dated 29/01/2010
9	DH 1211 01	Magnet Assly.	1	TPS Assly.
10	DJ 1210 70	Reed Switch Assly.	1	Parts
11	39 1780 01	Pan Head Screw	2	
12	DH 1210 93	Needle Assly.	1	
13	DH 1211 50	Set Adjuster	1	
14	DJ 1210 49	Set Plunger Assly.	1	Alt. Dj121059
15	DH 1211 77	Drain Screw	1	

Air Cleaner Complete



No.	Part No.	Description	Qty/Veh.	Remarks
1	DH 1211 35	Air Cleaner Comp	1	
	DJ 1210 40	Air Cleaner Comp	1	C-21 dated 29/01/2010
	DH 1211 78	Air Cleaner Comp	1	From- 24.04.2011
	DH 1211 89	Air Cleaner Comp	1	C-46 dated 31/03/2014
2	36 DH40 10	Kit Hardware Air Cleaner	1	Refer Kit Details
3	DH 1211 32	Connecting Tube	1	
	DJ 1210 39	Connecting Tube	1	C-21 dated 29/01/2010
4	AA 1210 45	Clamp	1	
	DH 1211 90	Clamp	1	C-46 dated 31/03/2014
5	36 DK00 15	Kit Element Air Filter	1	(Fine & Coarse) Refer Kit Details
6	DK 1210 15	'O' ring Air Filter Cover	1	
7	DK 1210 08	Filter Air Element Cover	1	
8	DS 1211 17	Drain Tube	1	
9	DH 1614 16	Side Cover Lock Bracket	1	F-37 dated 17/08/2013

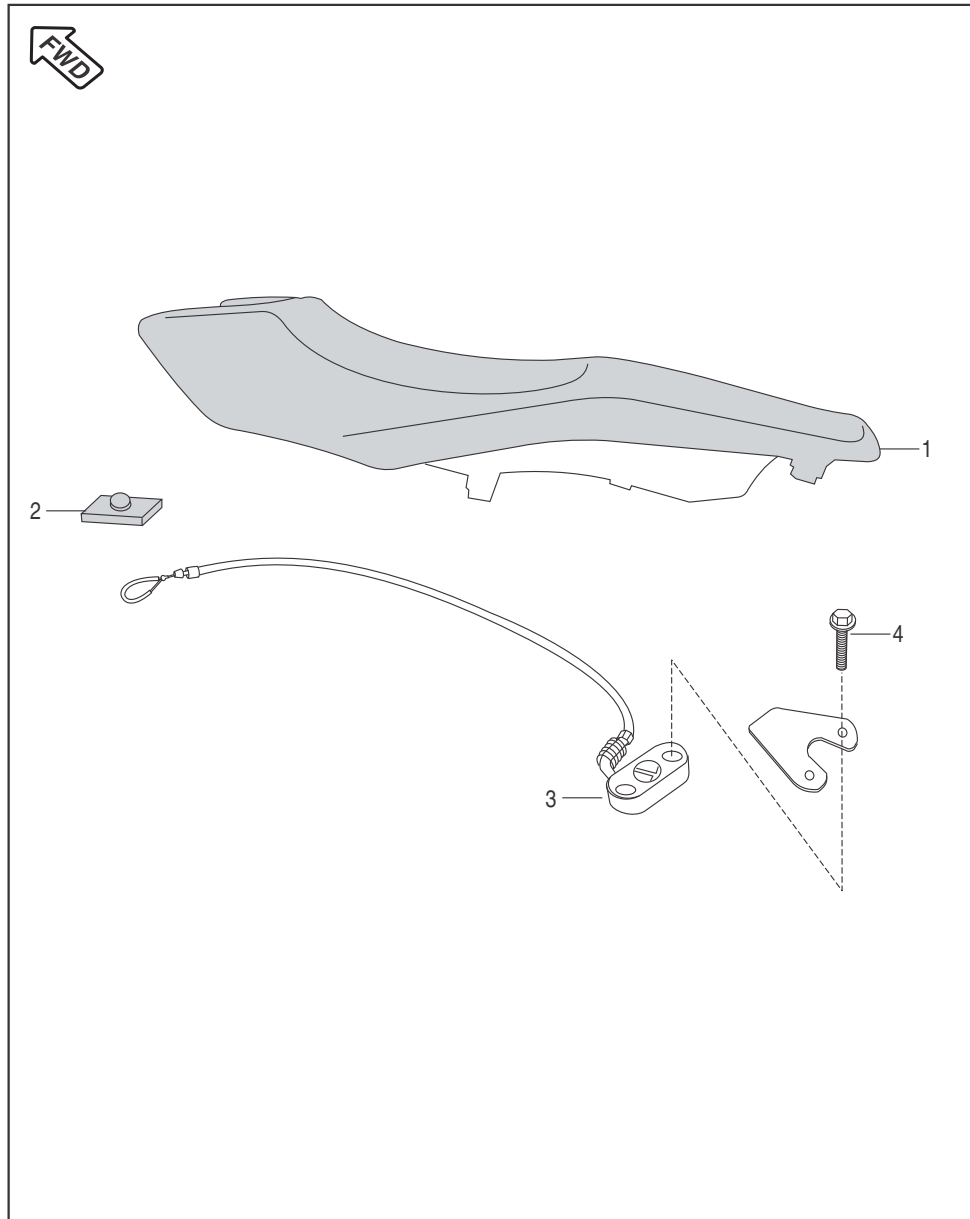
Silencer Assembly



No.	Part No.	Description	Qty/Veh.	Remarks
1	DJ 1013 36	Silencer W/O Shield With Cat	1	
	DH 1019 26	Silencer W/O Shield With Cat	1	C-21 dated 29/01/2010
2	DH 1014 68	Shield Muffler	1	
3	36 DH40 11	Kit Hardware Shield	1	Refer Kit Details
4	DJ 1010 64	Gasket Exhaust	1	
5	39 1970 15	Flanged Nut	2	
6	36 DK00 09	Kit Hardware Silencer	1	Refer Kit Details
7	DG 1611 24	Damper (main Stand)	1	
8	DH 1015 21	Wire Shield Assly.	1	
9	DH 1016 07	Truss Screw	4	
10	DH 1017 59	Shield Tube	1	

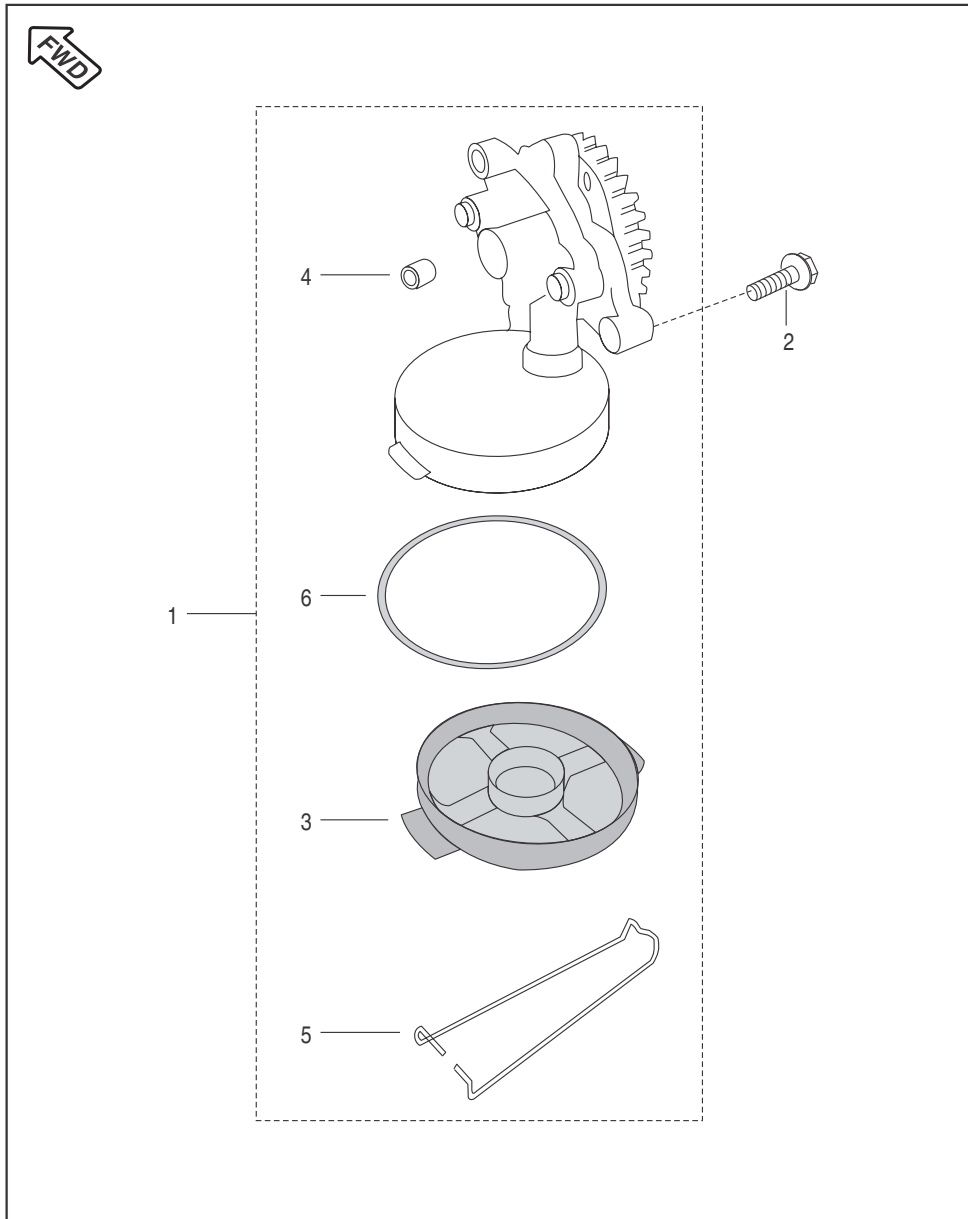


Seat Assembly / Seat Lock



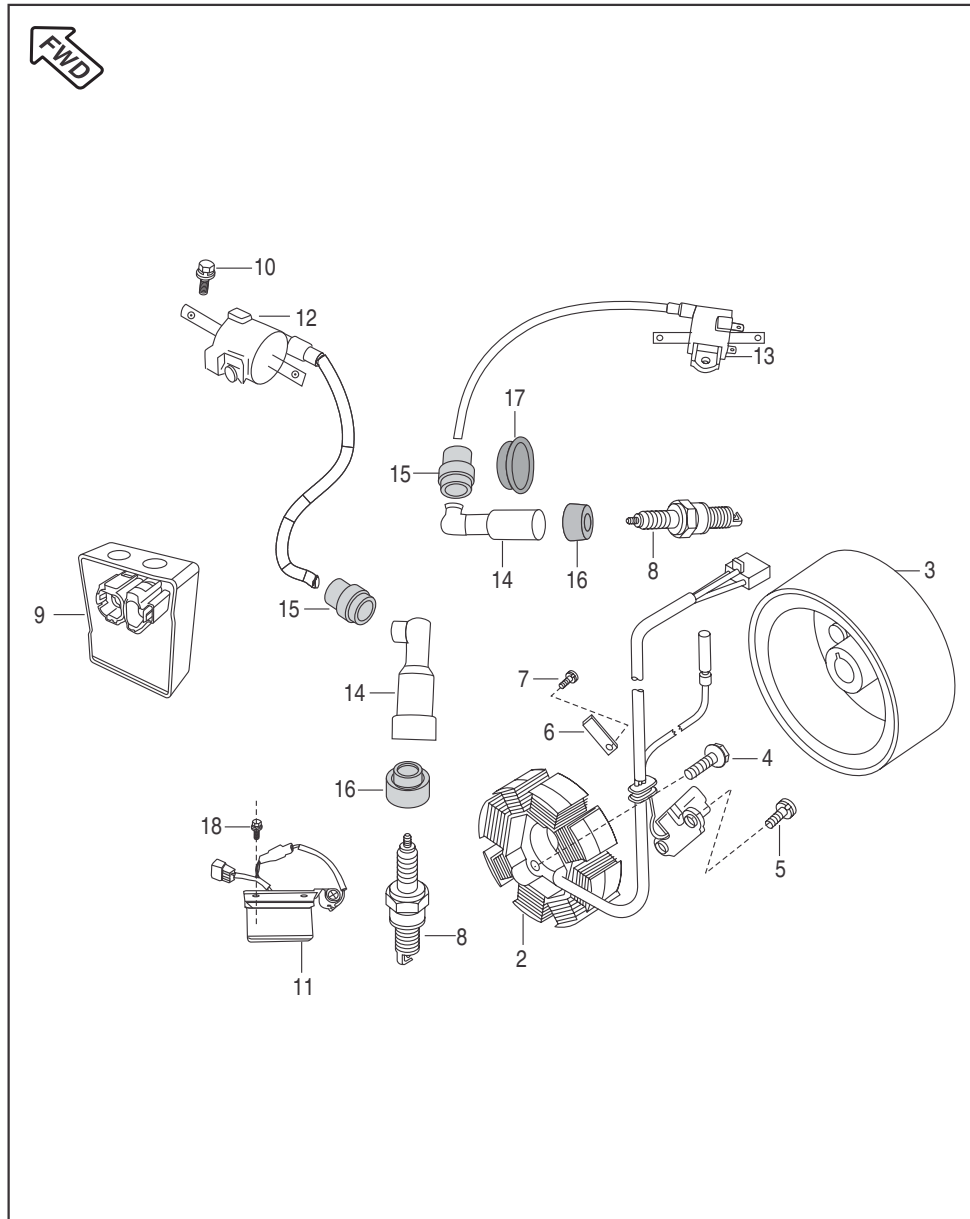
No.	Part No.	Description	Qty/Veh.	Remarks
1	DJ 2110 03	Seat Assly Comp	1	
2	DK 2110 07	Damper Kit	1	
3	DJ 2110 06	Lock Assly Seat	1	
4	39 1902 04	Flanged Bolt	2	

Oil Pump



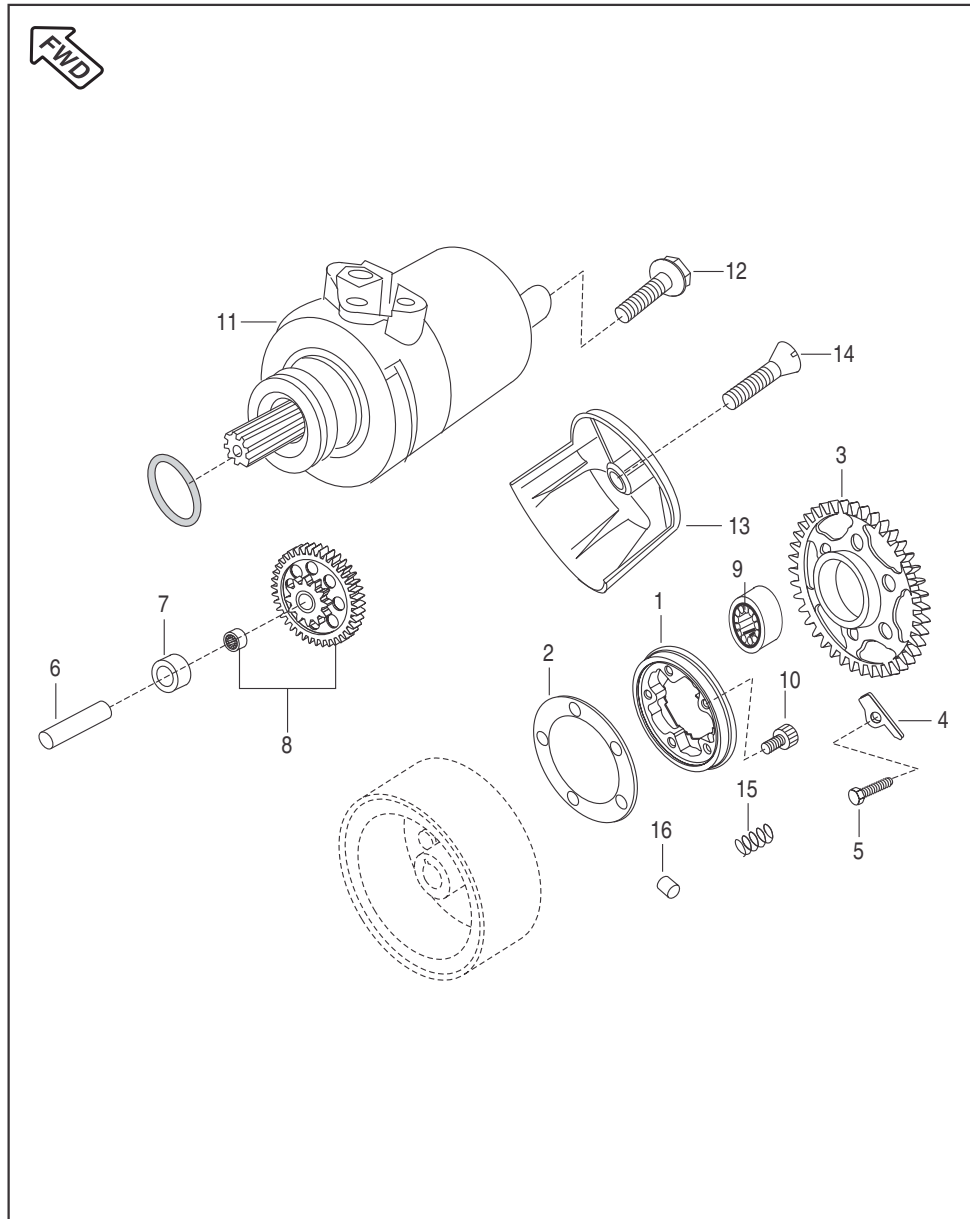
No.	Part No.	Description	Qty/Veh.	Remarks
1	DH 1210 01	Oil Pump Assly	1	
2	39 1674 04	Hex. Bolt With Flange	3	
3	DH 1210 10	Mesh Filter Oil Pump	1	
4	39 1686 06	Hollow Dowel Pin	1	
5	DH 1210 35	Clip Mesh Oil Filter	1	
6	39 2194 21	'O' Ring	1	

Magneto, CDI & H.T. Coil



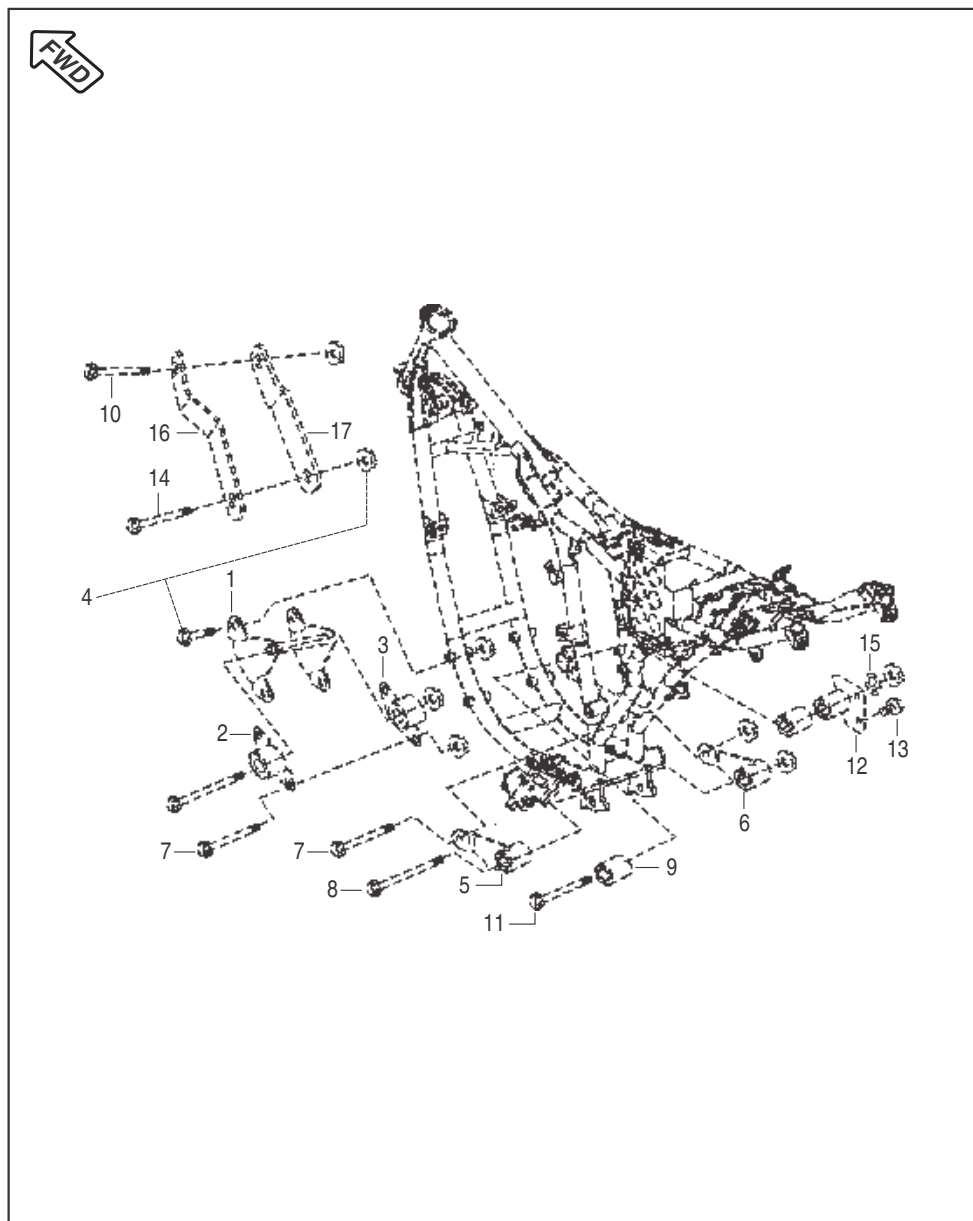
No.	Part No.	Description	Qty/Veh.	Remarks
1	59 1000 02	Spring Dowel Sleeve	1	N.I.
2	DH 1110 81	Stator Assly. Comp	1	
3	DH 1110 83	Rotor Assly.	1	
4	DH 1013 86	Hex. Bolt With Flange	2	
5	DH 1013 81	Pan Head Screw	2	
6	DH 1011 99	Stopper Plate (wiring Harness)	1	
7	DH 1013 80	Screw Pan Head	1	
8	DG 1110 08	Spark Plug	2	
9	DH 1110 72	C.D.I. Assly.	1	
10	39 1944 04	Flange Bolt	4	
11	DJ 2012 02	DC Regulator With Capacitor	1	With Aluminum Bracket
12	DH 1110 77	H.T. Coil LH With Cable	1	
13	DH 1110 78	H.T. Coil RH With Cable	1	
14	DH 1110 15	Cap Spark Plug	2	
15	DD 1110 12	Grommet H.T. Cable	2	
16	DH 1110 13	Grommet Spark Plug Cape	2	
17	DH 1110 16	Grommet Sleeve Spark Plug	1	
18	DD 2010 24	Flange Bolt	2	

Starter Assembly (For Self Start)



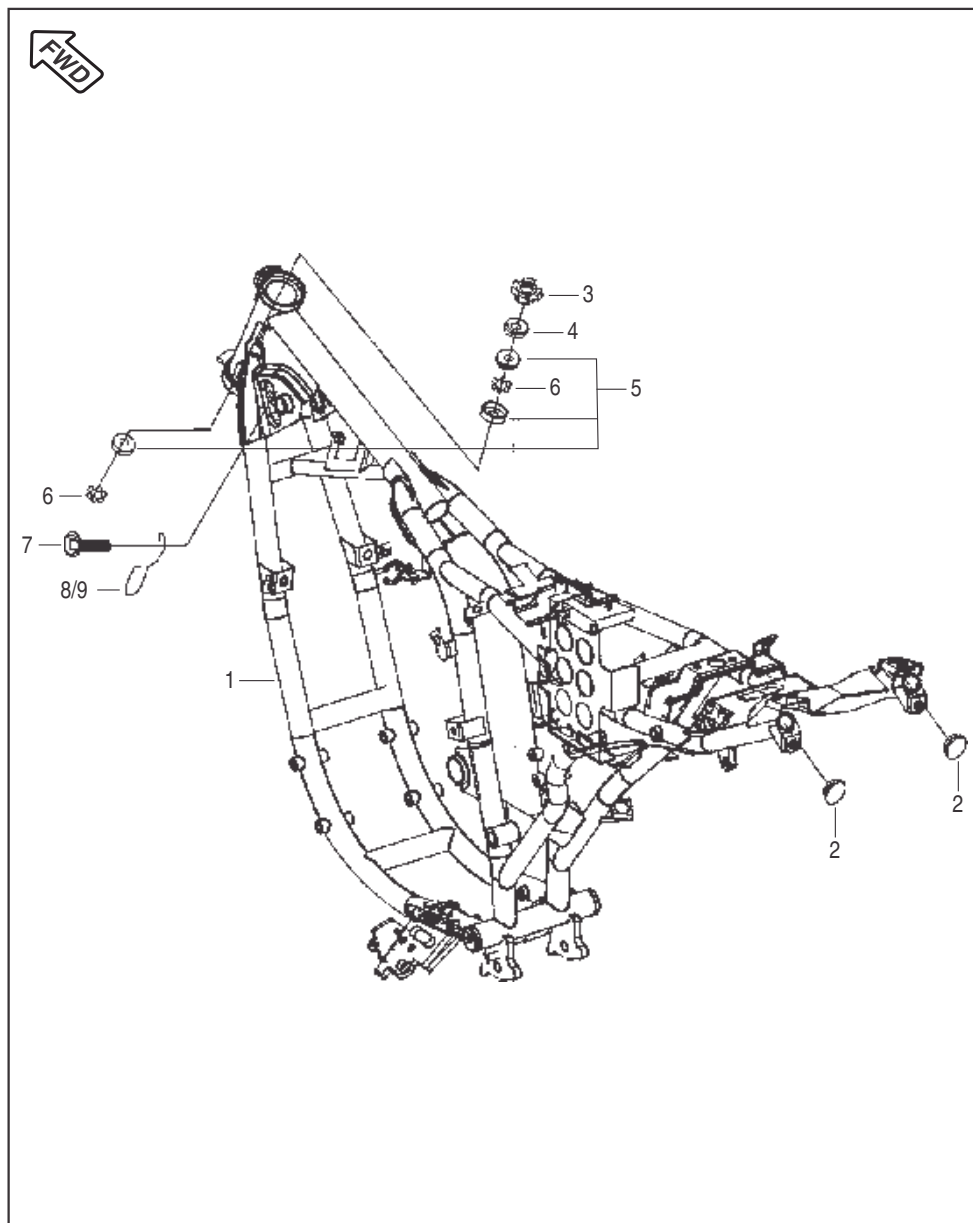
No.	Part No.	Description	Qty/Veh.	Remarks
1	DK 1015 95	Body Comp. Starter Clutch	1	
2	DK 1016 05	Plate Roller Clutch	1	
3	JC 1011 14	Gear Starter Clutch	1	
4	DK 1016 05	Plate Starter Clutch Gear Return	1	
5	DH 1013 85	Bolt	1	For Stopper Plate
6	DK 1011 76	Shaft Starter Counter	1	
7	DH 1011 72	Collar Starter Counter	1	
8	JC 1011 15	Gear Comp. Starter Counter Assly.	1	
9	59 2000 07	Needle Roller Bearing	1	
10	DH 1013 82	Bolt Socket	3	N.I.
11	DH 1110 84	Motor Assly. Starter	1	
12	DS 1013 53	Bolt	2	
13	52 DH01 53	Cover Starter Motor	1	
	DK 1017 70	Cover Starter Motor	1	From 03.09.2011
14	DH 1013 89	Slotted C'sunk Screw	1	
15	DK 1015 96	Spring	5	
16	DH 1011 63	Roller	5	
17	59 1000 02	Spring dowl	1	N.I.
18	39 0849 14	Washer Lock-Toothed	3	N.I.

Engine Mountings



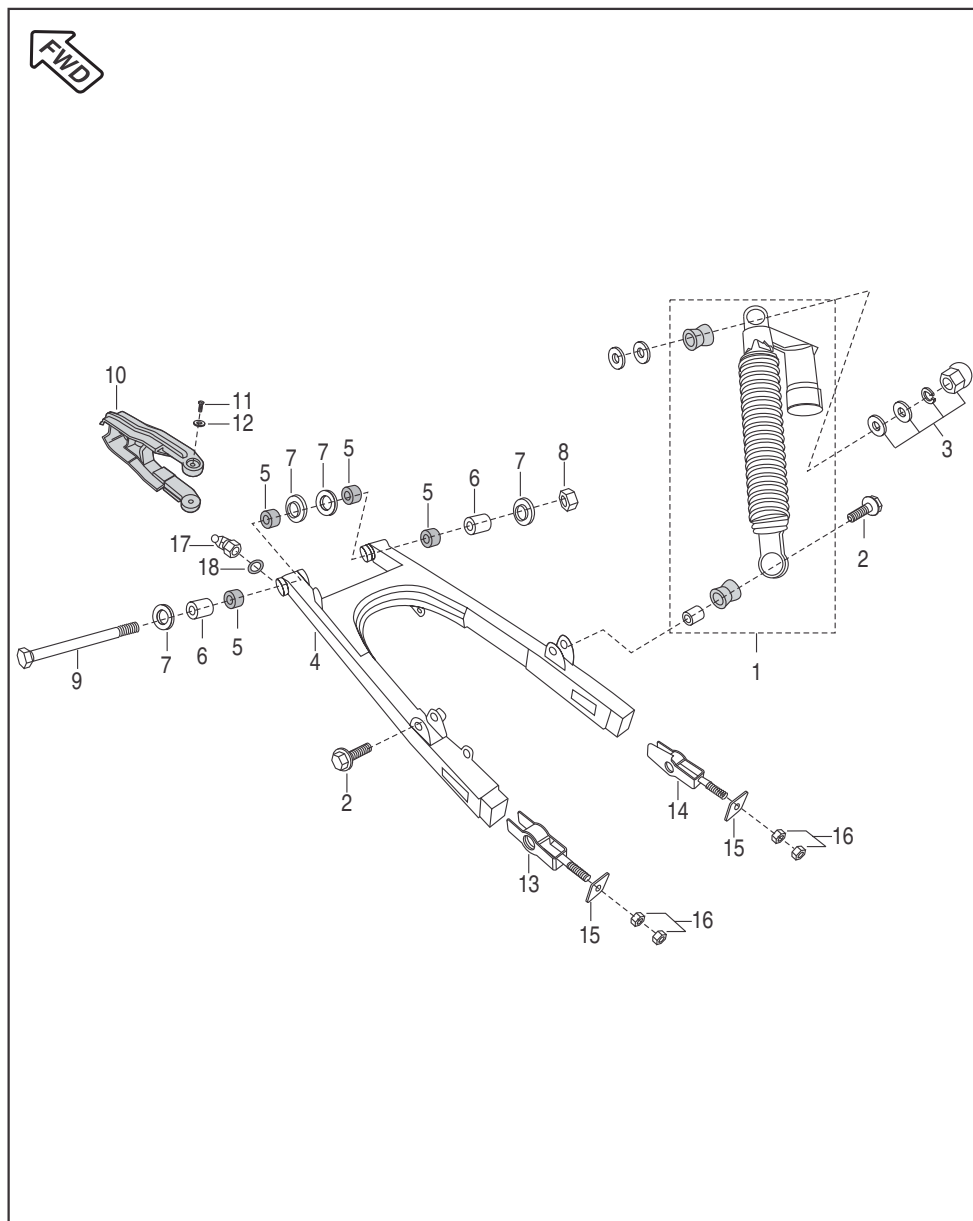
No.	Part No.	Description	Qty/Veh.	Remarks
1	DH 1611 70	Bkt. Assly.eng.mtg.front	1	
2	DH 1612 68	Bkt. Comp.LH Eng.mtg.front	1	
3	DH 1612 69	Bkt. Comp.RH Eng.mtg.front	1	
4	36 DK00 11	Kit Hardware Eng. Mounting	1	
5	DJ 1611 14	Bkt. Comp. LH Eng.mtg. Lower	1	
6	DJ 1611 15	Bkt. Comp. RH Eng.mtg. Lower	1	
7	39 2157 04	Bolt Flanged	3	
8	39 2412 04	Bolt Flanged	1	Alt. 39 2311 04
9	DH 1612 73	Bush In Frame	1	
10	39 1967 04	Bolt	1	
11	39 2414 04	Hex.soc.HD.cap Bolt	1	
12	DH 1613 01	Bkt.comp.RH Eng.rear	1	
13	39 2310 04	Flanged Bolt	2	
14	39 2311 04	Bolt	1	
15	39 2457 11	Washer	1	
16	DJ 1610 88	Bracket LH Engine Hanger	1	
17	DJ 1610 89	Bracket RH Engine Hanger	1	

Frame and Frame Fittings



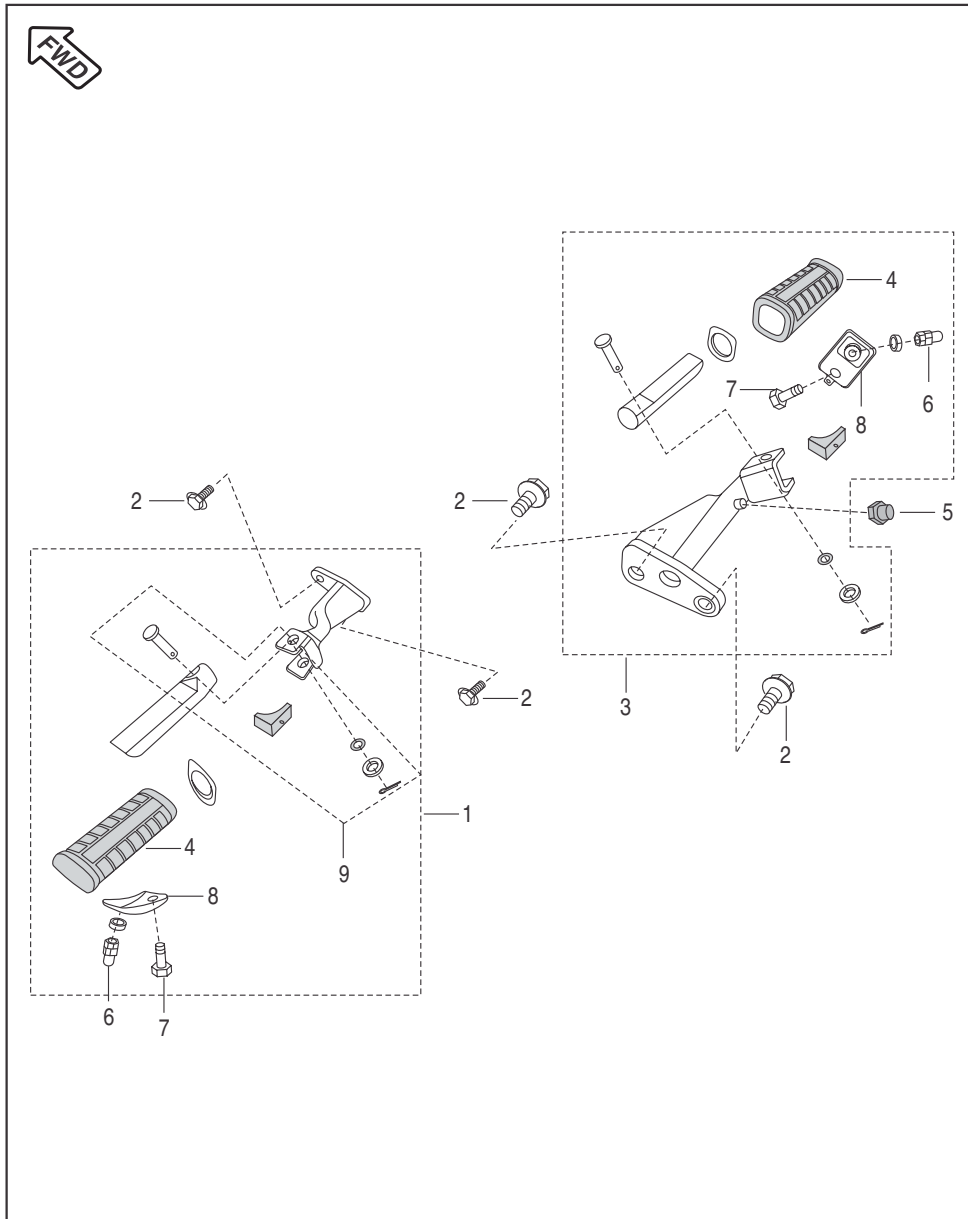
No.	Part No.	Description	Qty/Veh.	Remarks
1	DH 1613 21	Frame Assly. Comp.	1	From 24.04.2011
	DH 1613 86	Frame Assly. Comp.	1	
2	DH 1611 12	Cup Rear	2	
3	30 1810 11	Nut	1	
4	DH 1810 14	Cup - Steering	1	
5	36 DS18 02	Bearing Cone Kit	1	
	36 DS40 27	Kit St Cone with RR3 Grease	1	
6	DJ 1811 15	Ball Steel With Cage	2	
7	39 1680 04	Flanged Bolt	2	
8	DJ 1611 32	Cable Hook LH	1	
9	DJ 1611 33	Cable Hook RH	1	
10	DJ 1410 08	Damper Front	2	Fuel Tank Mtg.
11	DD 1910 15	Rubber Clutch Cable Clamp	1	
12	36 0010 52	Grease Lithon RR3	1	

Swing Arm / Rear Shock Absorber



No.	Part No.	Description	Qty/Veh.	Remarks
1	DH 1710 23	Rear Shock Absorber	2	
2	DG 1710 38	Bolt Pre-coated	2	
3	36 DK00 12	Kit Bush Rear Shock	1	
4	DJ 1710 32	Swing Arm Assly.	1	
5	DH 1710 14	Bush Swing Arm	4	
6	DH 1710 13	Collar Swing Arm	2	
7	DH 1710 15	Dust Seal Swing Arm	4	
8	DH 1710 19	'U' Nut Swing Arm	1	
9	DH 1710 12	Shaft Swing Arm	1	
10	DJ 1710 08	Chain Slider	1	
11	39 0553 02	Screw	2	
12	39 0454 11	Plain Washer	2	
13	DJ 1510 36	Adjuster Chain LH	1	
14	DJ 1510 37	Adjuster Chain RH	1	
15	DJ 1510 47	Plate Chain Adjuster	2	
16	39 0292 15	Hexagon Nut	4	
17	35 1710 33	Grease Nipple	2	
18	39 0740 11	Plain Washer (nylon)	2	

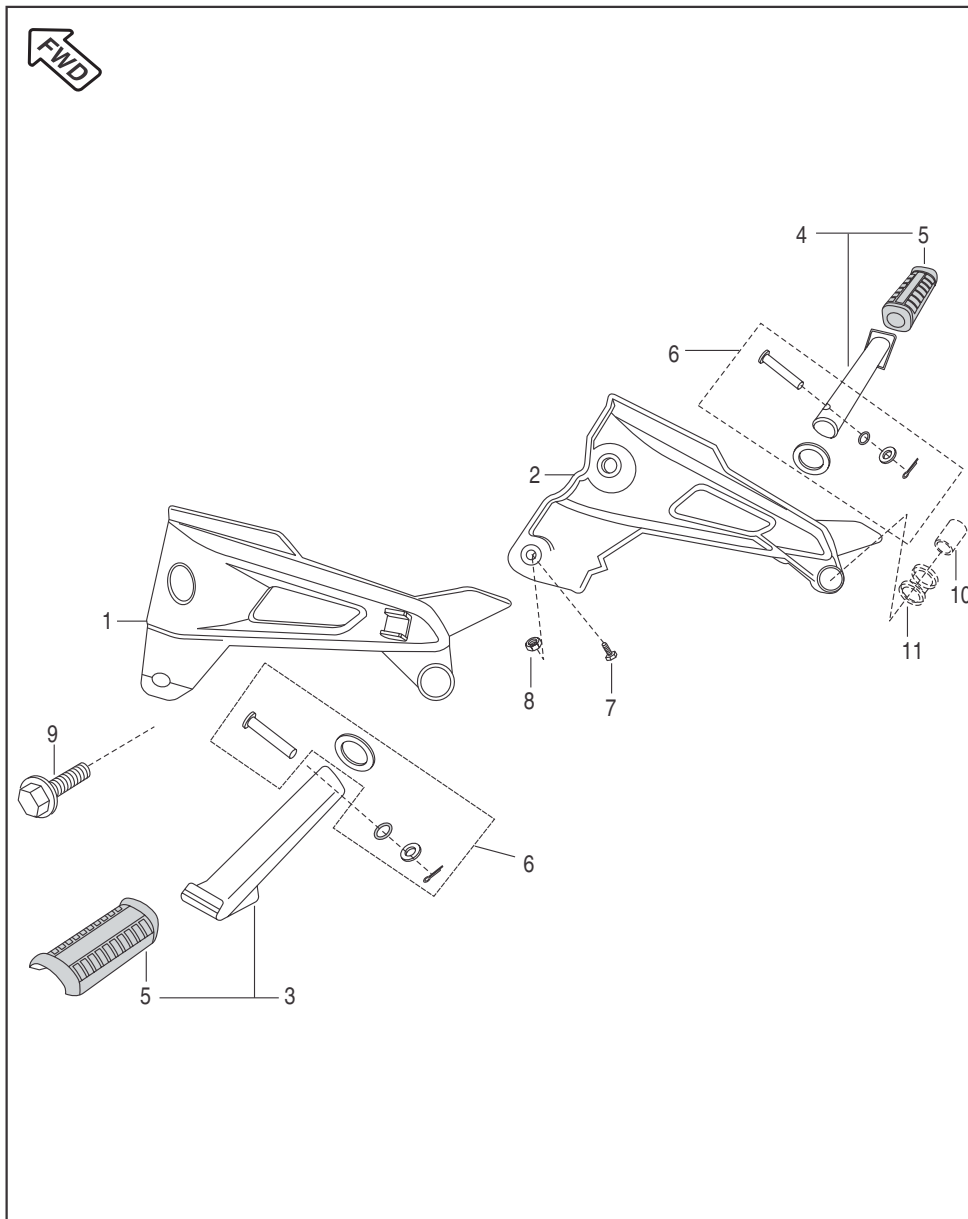
Rider Foot Rest



No.	Part No.	Description	Qty/Veh.	Remarks
1	DJ 1611 30	Main Step LH Assly. Comp.	1	
2	39 2310 04	Flange Bolt	4	
3	DJ 1611 31	Main Step RH Assly. Comp.	1	
4	DH 1610 53	Rubber Main Step	2	
5	DH 1611 94	Kick Stopper	1	
6	39 1282 15	Domed Cap Nut	2	
7	22 1504 51	Bolt Hexagon Head	2	
8	DH 1610 56	Plate Coml. Low Main step	2	
9	36 DK00 13	Kit Hardware Main Step	2	

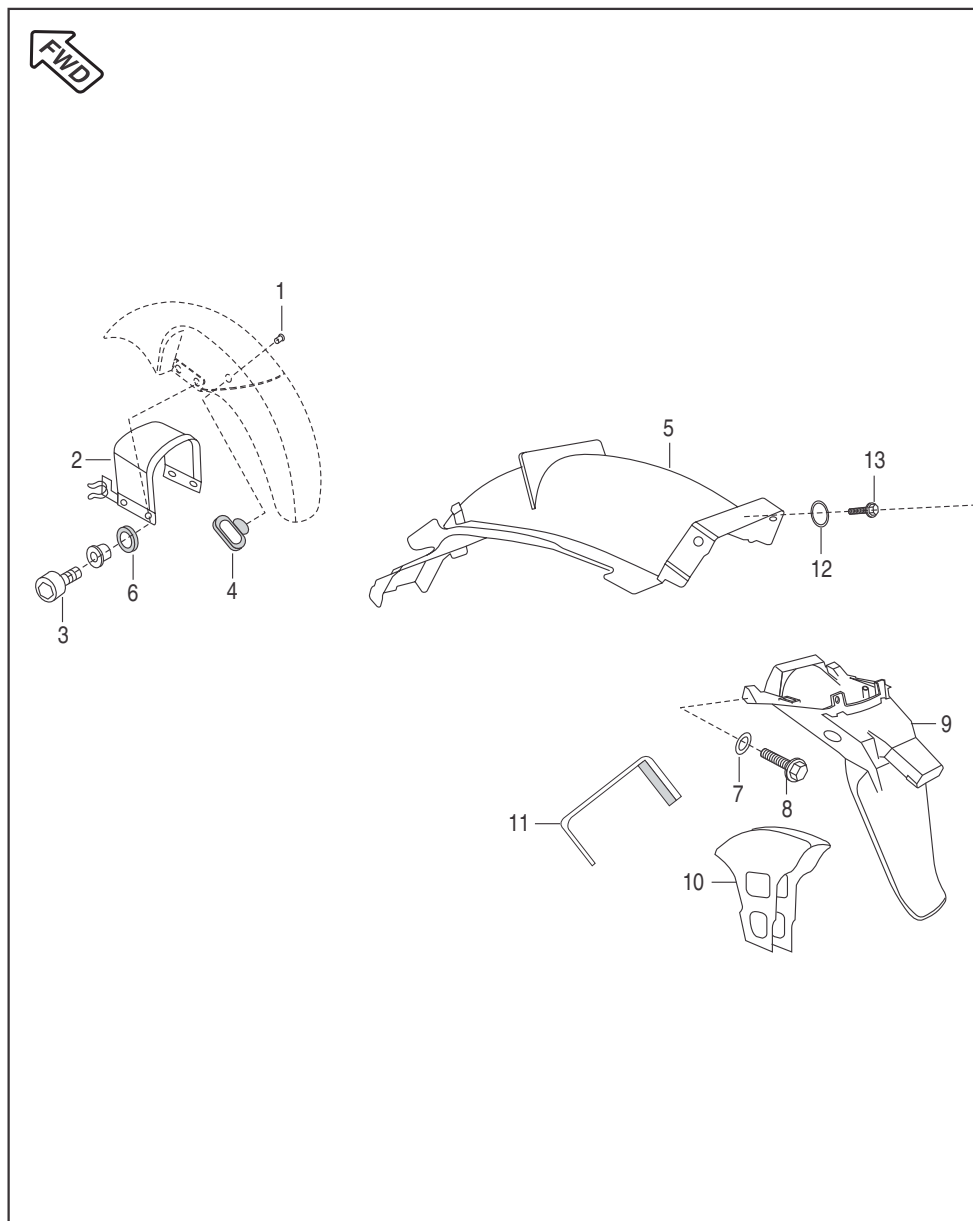


Pillion Foot Rest / Holder



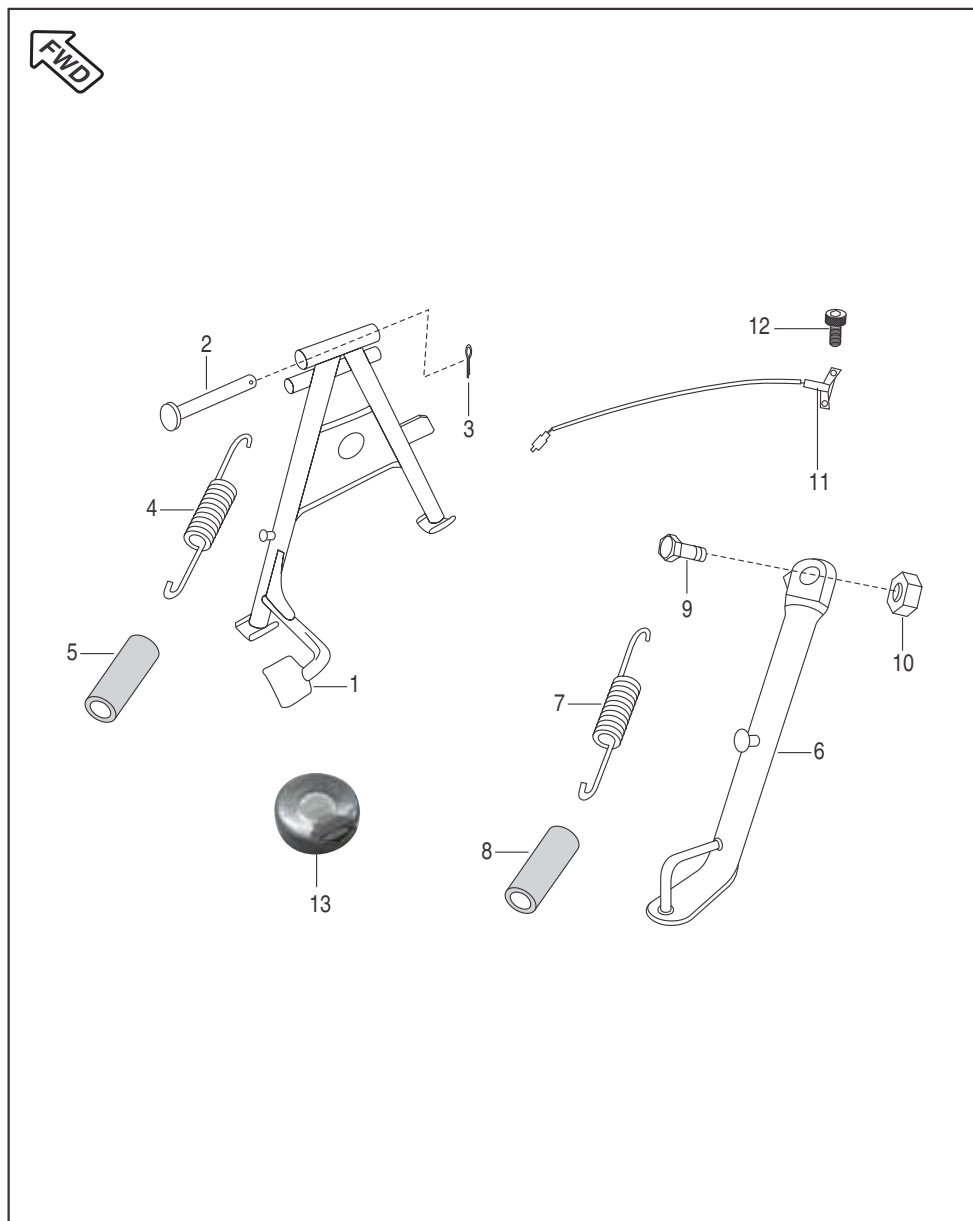
No.	Part No.	Description	Qty/Veh.	Remarks
1	DJ 1612 56	Holder LH Step	1	
	DH 1614 04	Holder LH Step	1	From 03.09.2011
2	DJ 1612 57	Holder RH Step	1	
	DH 1614 05	Holder RH Step	1	From 03.09.2011
3	DJ 1611 28	Pillion Step Assly. Comp. LH	1	
4	DJ 1611 29	Pillion Step Assly. Comp. RH	1	
5	DJ 1611 22	Rubber Pillion Step	2	
6	36 DK00 13	Kit Hardware Pillion	2	Ref Page No.108
7	39 1069 01	Hexagonal Head Screw	2	
8	39 0292 15	Nut	1	
9	39 1714 04	Flanged Bolt	2	Bott.mtg.LH & RH Holder Step
10	DH 1611 57	Tube Silencer Mtg.	1	
11	DH 1611 55	Damper Silencer Mtg.	1	
12	39 1850 04	Flange Bolt M10	1	Silencer Mtg.
13	39 0201 11	Wahser Plain	1	
14	DD 1610 71	U Nut M10	1	
15	36 DH40 22	Grease Nipple Kit	1	From 03.03.2010

Mudguard - Front & Rear



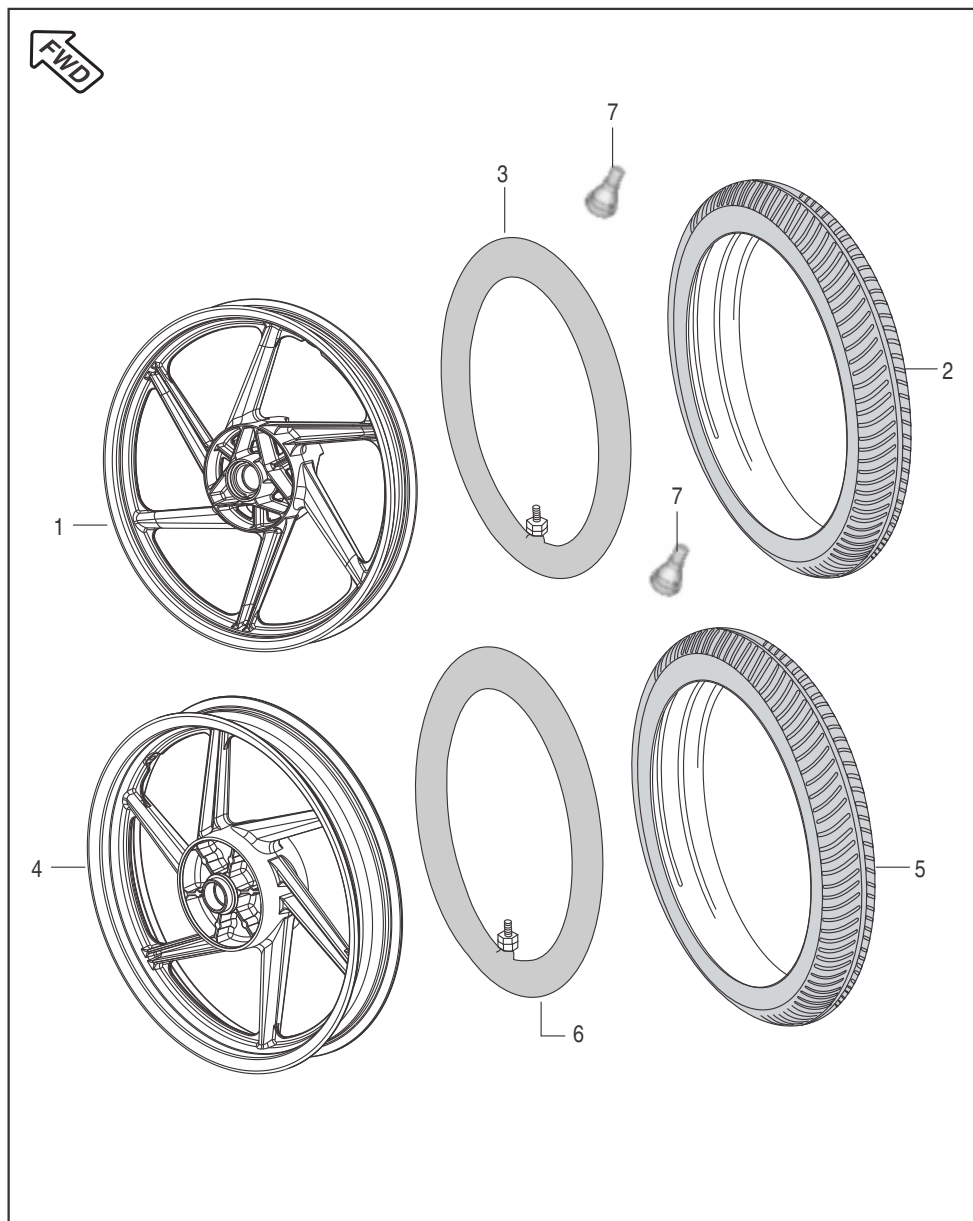
No.	Part No.	Description	Qty/Veh.	Remarks
1	DJ 1610 69	Nail For Cable Guide	1	
2	DH 1612 58	Brace Fender	1	
3	DG 1810 08	Socket Bolt	4	Fender Front
4	DS 1611 25	Clamp	1	For Cables
5	DJ 1612 55	Fender Rear Front	1	
6	DJ 1610 91	Grommet Front Fender	4	
7	39 0711 11	Plain Washer	4	
8	39 1680 04	Flange Bolt	2	
9	DJ 1612 54	Fender Rear	1	
10	DJ 1612 21	Cover Mud Rear	1	
11	DJ 1612 72	Support Assly For Rear Fender	1	Alt. Dh161297
12	39 0211 11	Plain Washer	2	
13	39 1672 04	Flange Bolt	2	

Stand Assembly



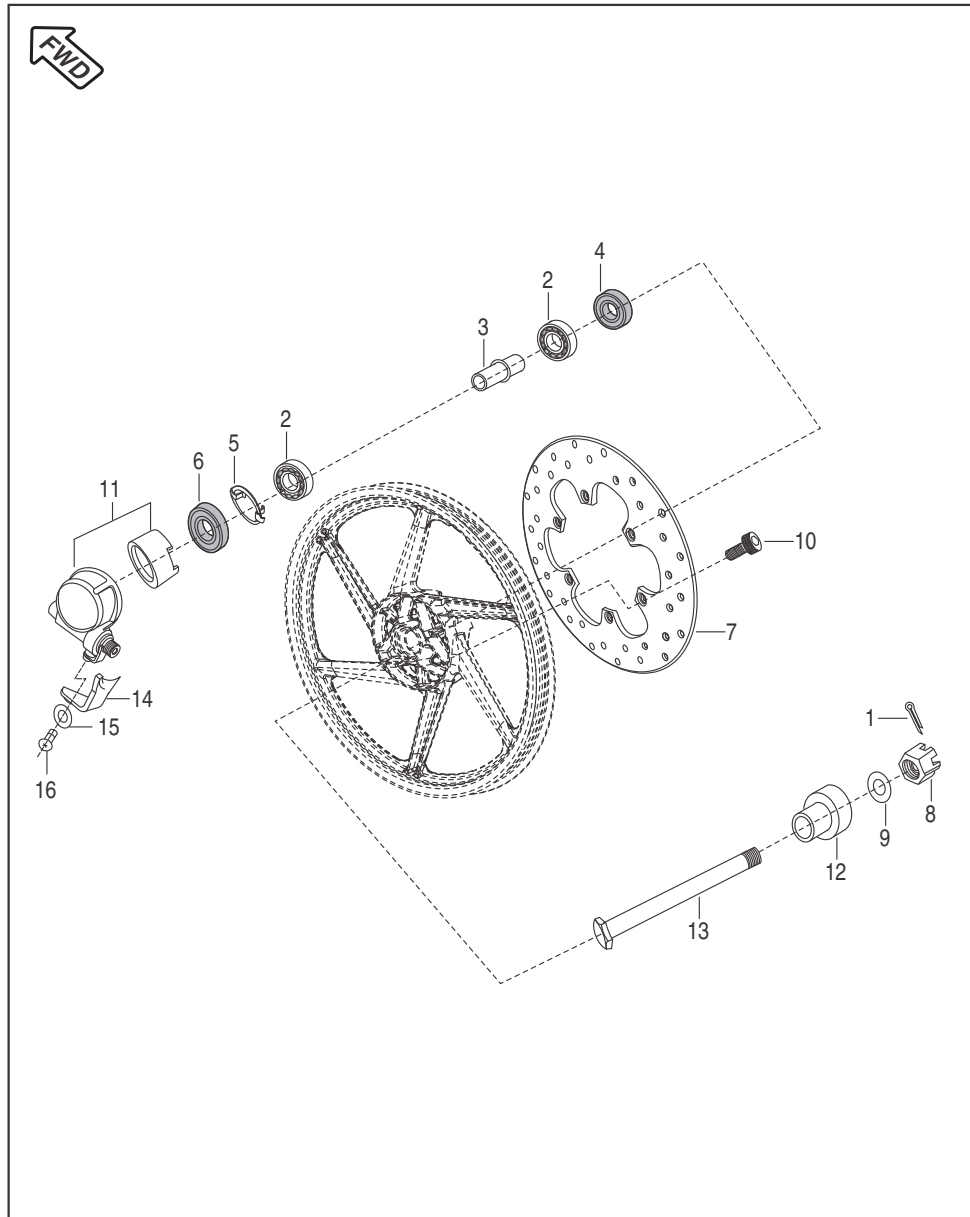
No.	Part No.	Description	Qty/Veh.	Remarks
1	DJ 1612 14	Stand Main	1	
2	30 1611 57	Shaft Stand	1	
3	39 0787 08	Pin Cotter	1	
4	DH 1611 21	Spring Main Stand	1	
5	DH 1611 45	Cover Spring Main Stand	1	
6	DJ 1612 18	Stand Side	1	
7	DH 1610 66	Spring Side Stand	1	
8	DH 1611 46	Cover Spring Side Stand	1	
9	DF 1611 02	Bolt	1	
10	39 0422 15	Nut	1	
11	JC 2010 39	Side Stand Switch	1	
12	39 2060 04	Bolt	1	
13	DJ 2011 06	Magnet Assly.	1	
14	DH 1613 02	Bracket Side Stand Switch	1	N.I.

Tube / Tyre / Rim



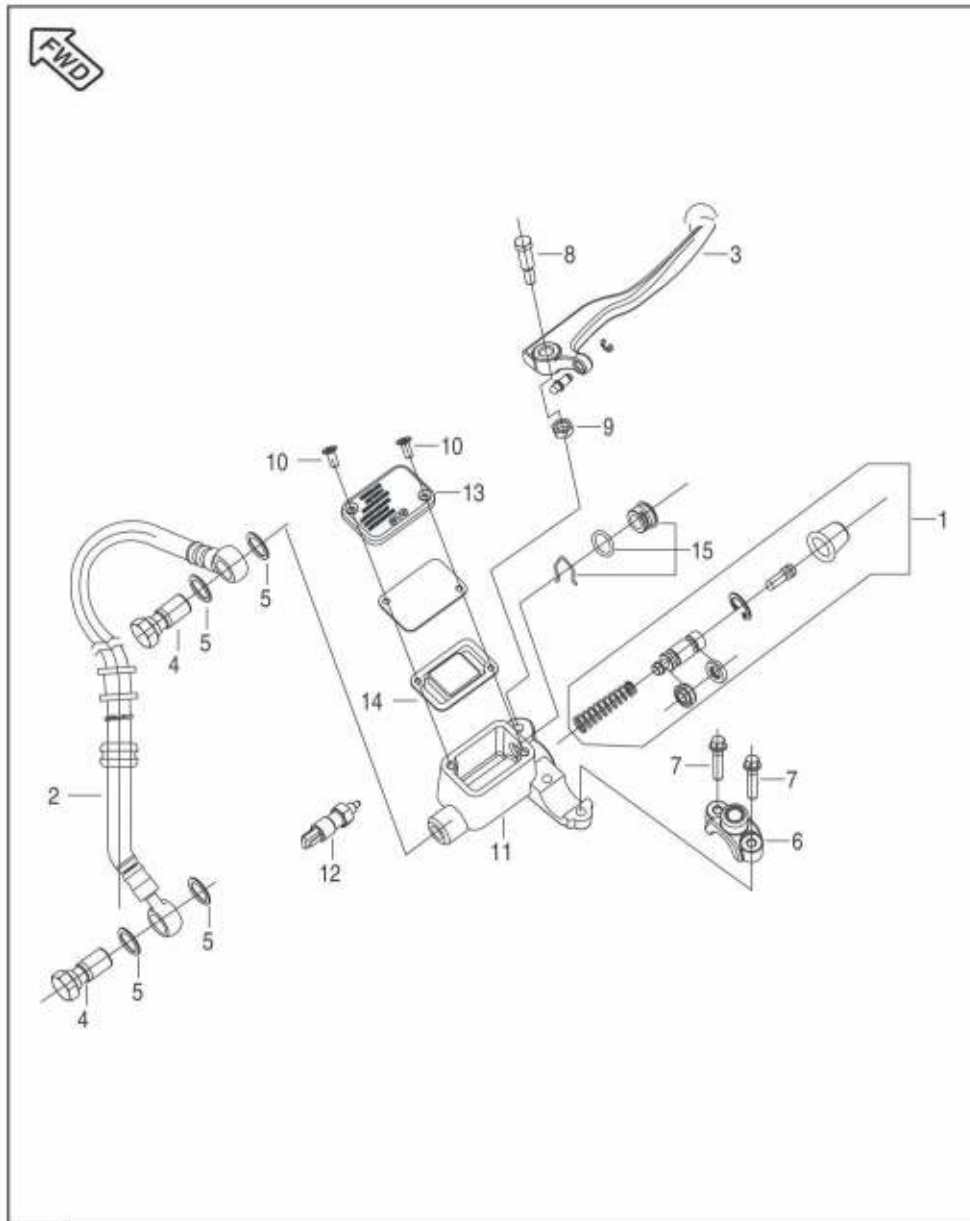
No.	Part No.	Description	Qty/Veh.	Remarks
1	DJ 1510 77	Wheel Rim Front (16 X 17 DC)	1	
	DH 1510 77	Wheel Rim Front Tubeless	1	Ser Bulletin 2015-44
2	DS 1510 48	Tyre Front	1	Not Serviceable
	JF 1310 10	Tyre Front Tubeless	1	Ser Bulletin 2015-44
3	DS 1510 49	Tube Front	1	
4	DJ 1510 87	Wheel Rim Rear	1	
	DH 1510 79	Wheel Rim Rear Tubeless	1	Ser Bulletin 2015-44
5	DS 1510 31	Tyre Rear	1	Not Serviceable
	JF 1312 11	Tyre Rear Tubeless	1	Ser Bulletin 2015-44
6	DS 1510 29	Tube Rear	1	
7	DK 1510 26	Valve Tubeless Tyre	1	Ser Bulletin 2015-44

Front Hub



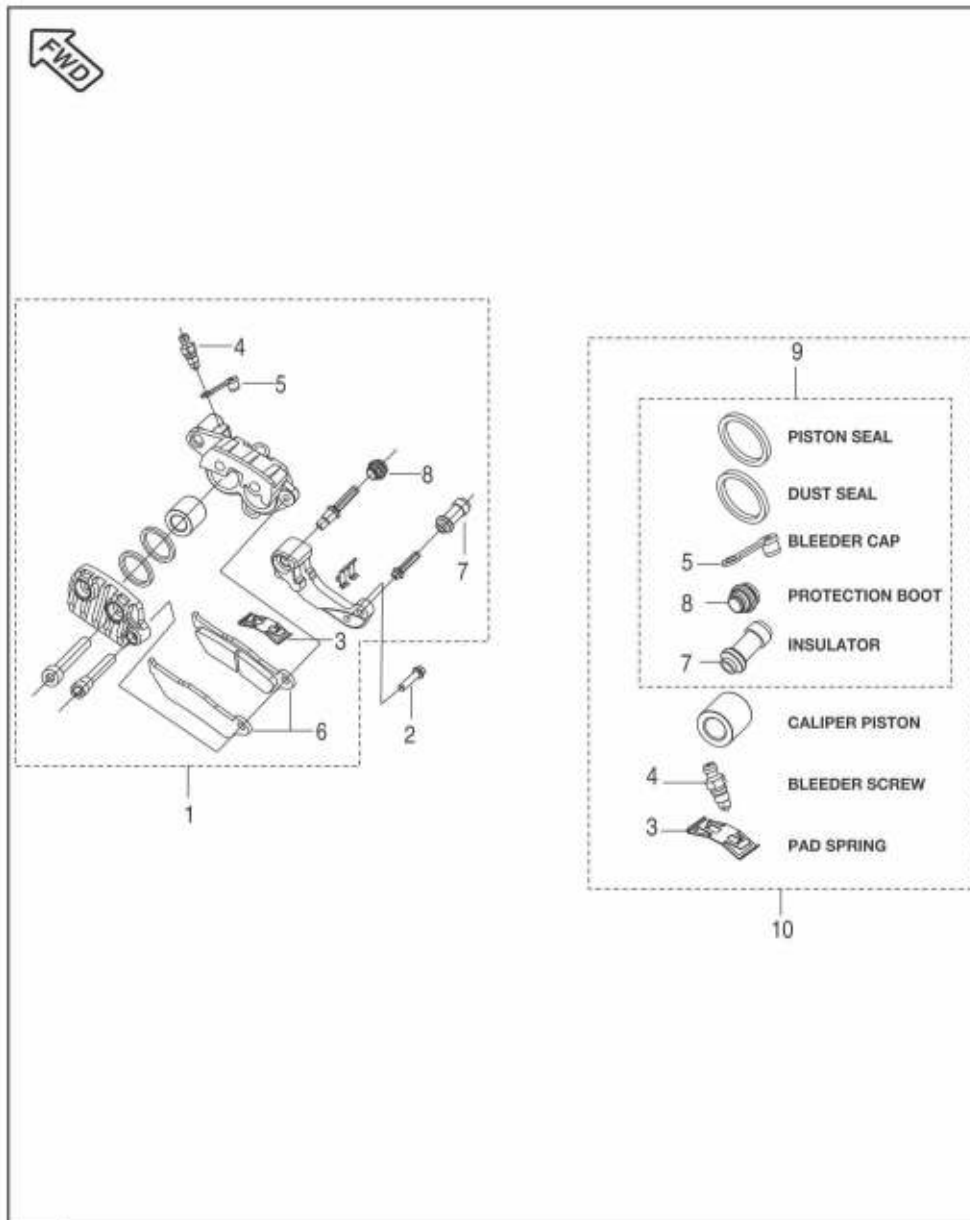
No.	Part No.	Description	Qty/Veh.	Remarks
1	39 0787 08	Pin Cotter	1	
2	39 2362 20	Bearing Ball	2	
3	DE 1510 06	Spacer Assly.	1	
4	30 1510 33	Seal Oil	1	
5	DE 1510 12	Plate Drive	1	
6	DE 1510 08	Seal Oil	1	
7	DJ 1510 14	Disc	1	
	JN 1318 07	Disc	1	From 08.07.2010
8	59 1500 03	Hex. Slotted Nut	1	
9	39 0781 11	Plain Washer	1	
10	39 2038 04	Hex. Soc. Hd. Bolt	6	
11	JN 1316 03	Case Meter Assly.	1	
12	DS 1510 58	Spacer	1	
13	DJ 1510 41	Axle	1	
14	JC 2010 46	Stopper plate	1	
15	39 0900 12	Washer	1	
16	39 0840 01	Screw	1	

FR. Master Cylinder

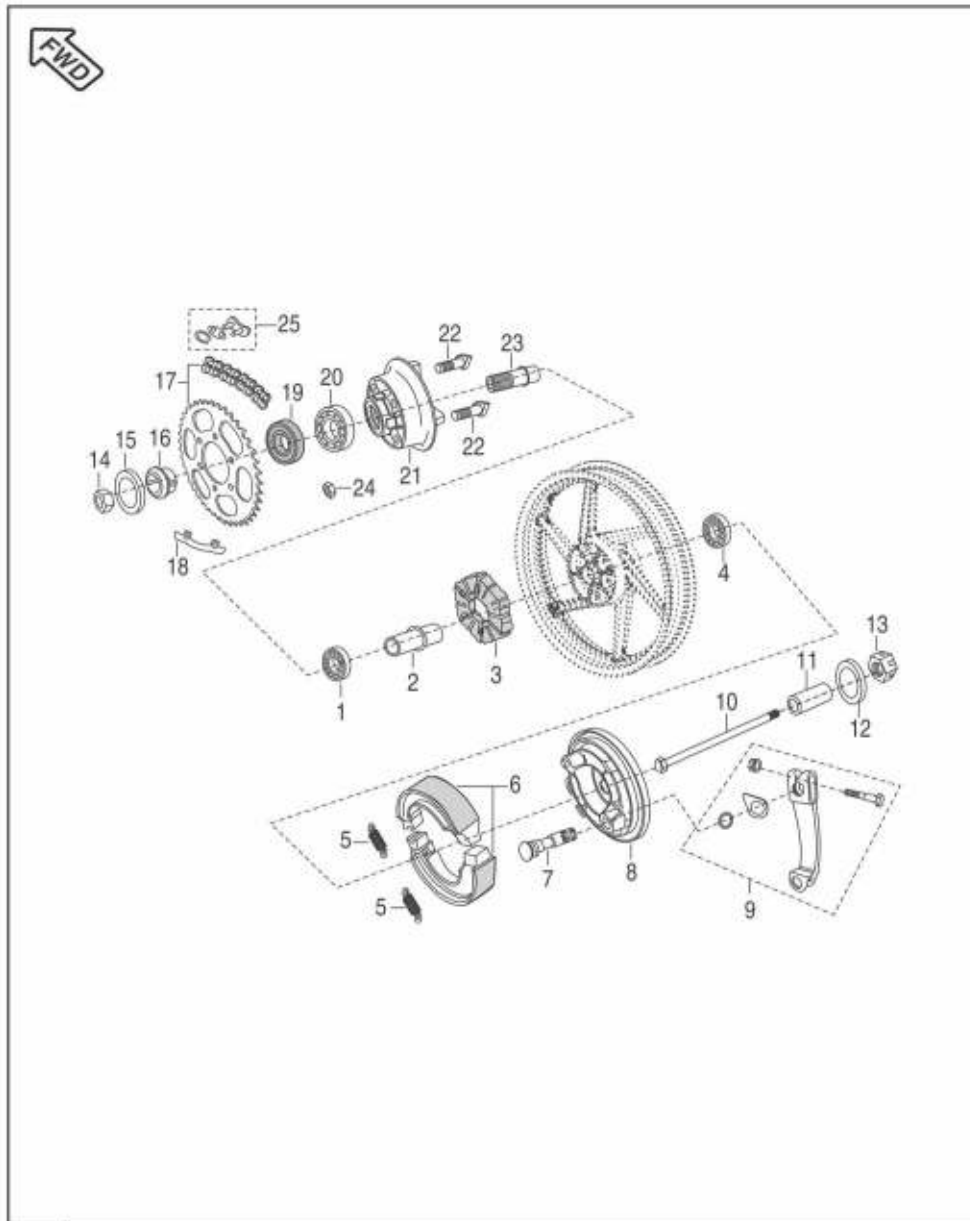


No.	Part No.	Description	Qty/Veh.	Remarks
1	DJ 1910 23	Major Kit - Master Cylinder	1	
	36 DJ40 31	Kit Major Mast Cyl & Grease-End	1	F-31 dated 03/12/2013
	36 DH40 48	Kit Major Mast Cyl & Grease-Bra	1	F-31 dated 03/12/2013
2	DJ 1510 76	Hose Brake Front	1	
3	DJ 1910 06	Lever Grip RH	1	
4	DE 1910 11	Banjo Bolt	2	
5	DE 1910 10	Washer Copper	4	
6	DJ 1910 27	Clamp Holder RH	1	
7	DJ 1910 28	Bolt	1	
8	DJ 1910 29	Bolt Front Brake Lever	1	
9	DJ 1910 30	Nut Flanged	1	
10	DJ 1910 31	Screw	2	
11	DJ 1910 32	Cylinder Master	1	
	DE 1510 15	Cylinder Master	1	KBX
12	DJ 2011 00	Front Brake Switch	1	
13	DJ 1910 34	Reservoir Cover	1	
14	DJ 1910 35	Diaphragm	1	
15	36 DH19 02	Oil Window Kit	1	

Front Disc Brake



No.	Part No.	Description	Qty/Veh.	Remarks
1	DG 1510 89	Caliper Assly. Front	1	
	DK 1510 54	Caliper Assly. Front	1	KBX
2	39 1769 04	Bolt Flanged	2	
3	DJ 1510 68	Spring Pad	1	
4	DJ 1510 69	Bleeder Screw	1	
	DE 1510 46	Bleeder Screw	1	KBX
5	DJ 1510 70	Bleeder Cap	1	
	DE 1510 47	Bleeder Cap	1	KBX
6	DJ 1510 71	Disc Pad Set	1	
	DE 1510 37	Disc Pad Set	1	KBX
	JW 1318 07	Disc Pad Set	1	From 08.07.2010
7	DJ 1510 72	Insulator	1	
	DE 1510 43	Insulator	1	KBX
8	DJ 1510 73	Protection Boot	1	
9	DJ 1510 74	Minor Kit - Caliper	1	
10	36 DJ40 32	Kit Minor Cal & Grease-End	1	F-31 dated 03/12/2013
	36 DK00 65	Kit Minor Caliper with Grease-Bra	1	F-31 dated 03/12/2013
10	DJ 1510 75	Major Kit - Caliper	1	
	36 DJ40 33	Kit Mijor Cal & Grease-End	1	F-31 dated 03/12/2013
	36 DK00 66	Kit Minor Caliper with Grease-Bra	1	F-31 dated 03/12/2013

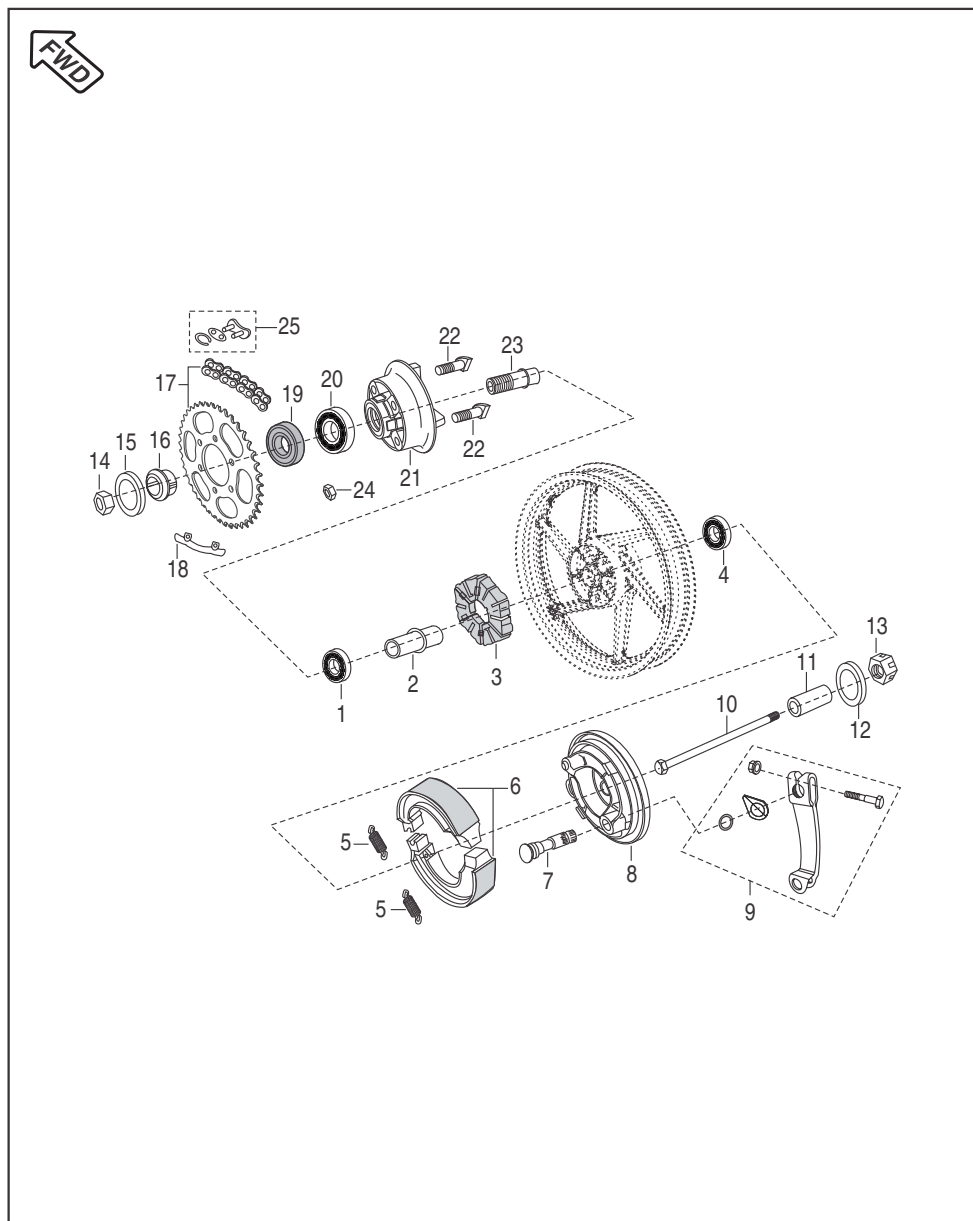


### Rear Hub

No.	Part No.	Description	Qty/Veh.	Remarks
1	39 2686 20	Bearing Ball	1	
2	30 1510 75	Collar Bearing	1	
3	DK 1510 94	Damper	1	From 16.12.2011
4	39 2241 20	Bearing Ball	1	
5	30 1510 69	Spring	2	
6	30 1511 05	Shoe Brake Assly.	1	
7	30 1510 12	Cam Brake	1	
8	DJ 1510 92	Panel Rear Brake	1	
9	36 DH 4012	Kit Lever Brake	1	Refer Kit Details
10	DJ 1510 32	Axle	1	
11	DJ 1510 34	Collar	1	
12	39 2567 11	Plain Washer	1	
13	DH 1710 19	'U' Nut	1	
14	39 0801 15	Nut	1	
15	39 2566 11	Plain Washer	1	
16	DJ 1510 35	Collar	1	
17	36 DH40 13	Chain Sprocket Kit	1	Refer Kit Details
18	DS 1510 74	Lock Washer	3	
19	30 1510 82	Seal Oil	1	
20	39 2240 20	Bearing Ball	1	
21	DS 1510 68	Coupling	1	
22	DS 1510 73	'D' Bolt	6	
23	DJ 1510 33	Sleeve	1	
24	39 0794 15	Hex. Lock Nut	6	
25	DJ 1510 53	Drive Chain Lock	1	
26	39 0722 11	Plain Washer	1	For Cam Brake
27	30 1510 38	'O' ring Cam Brake	1	

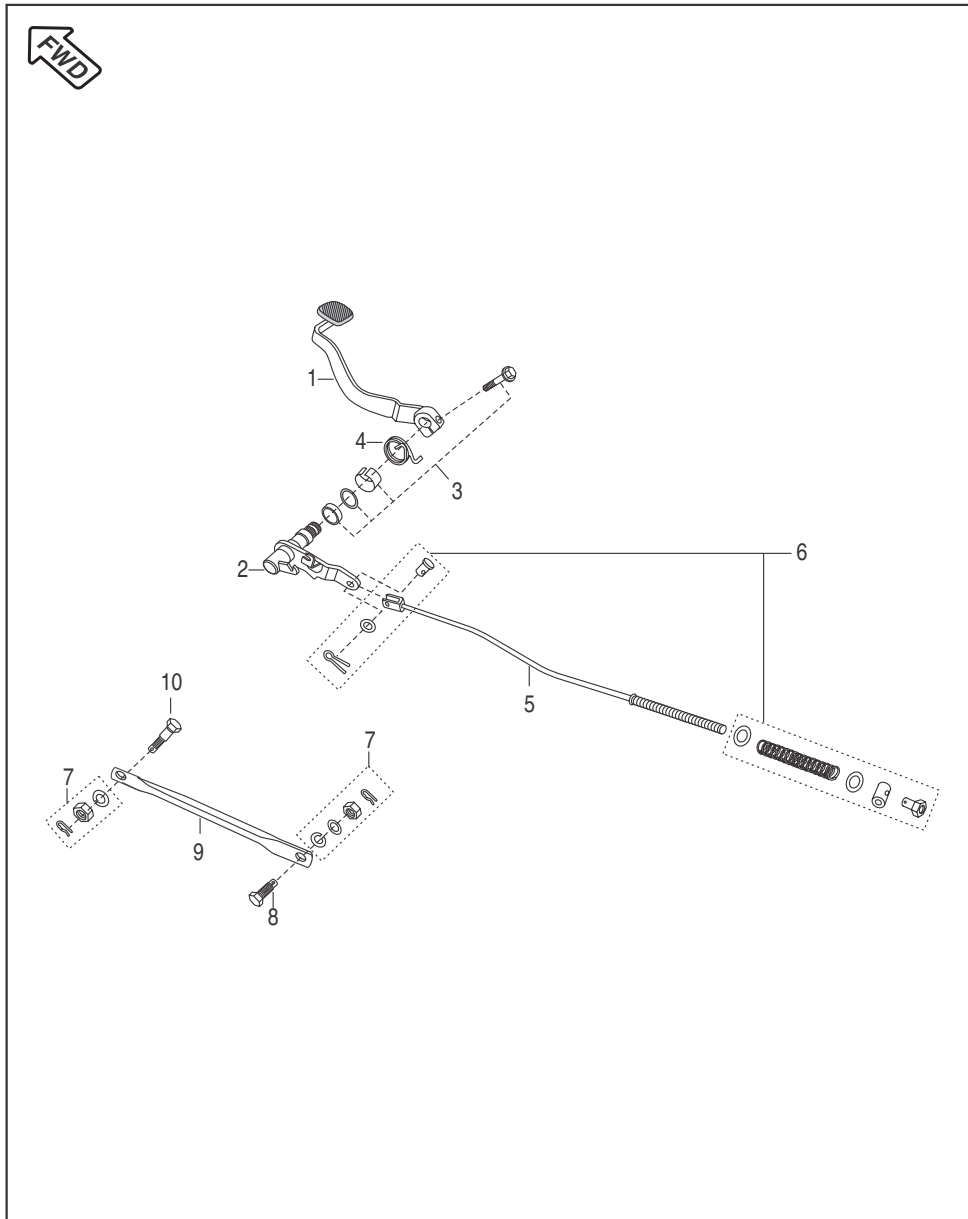


Rear Hub



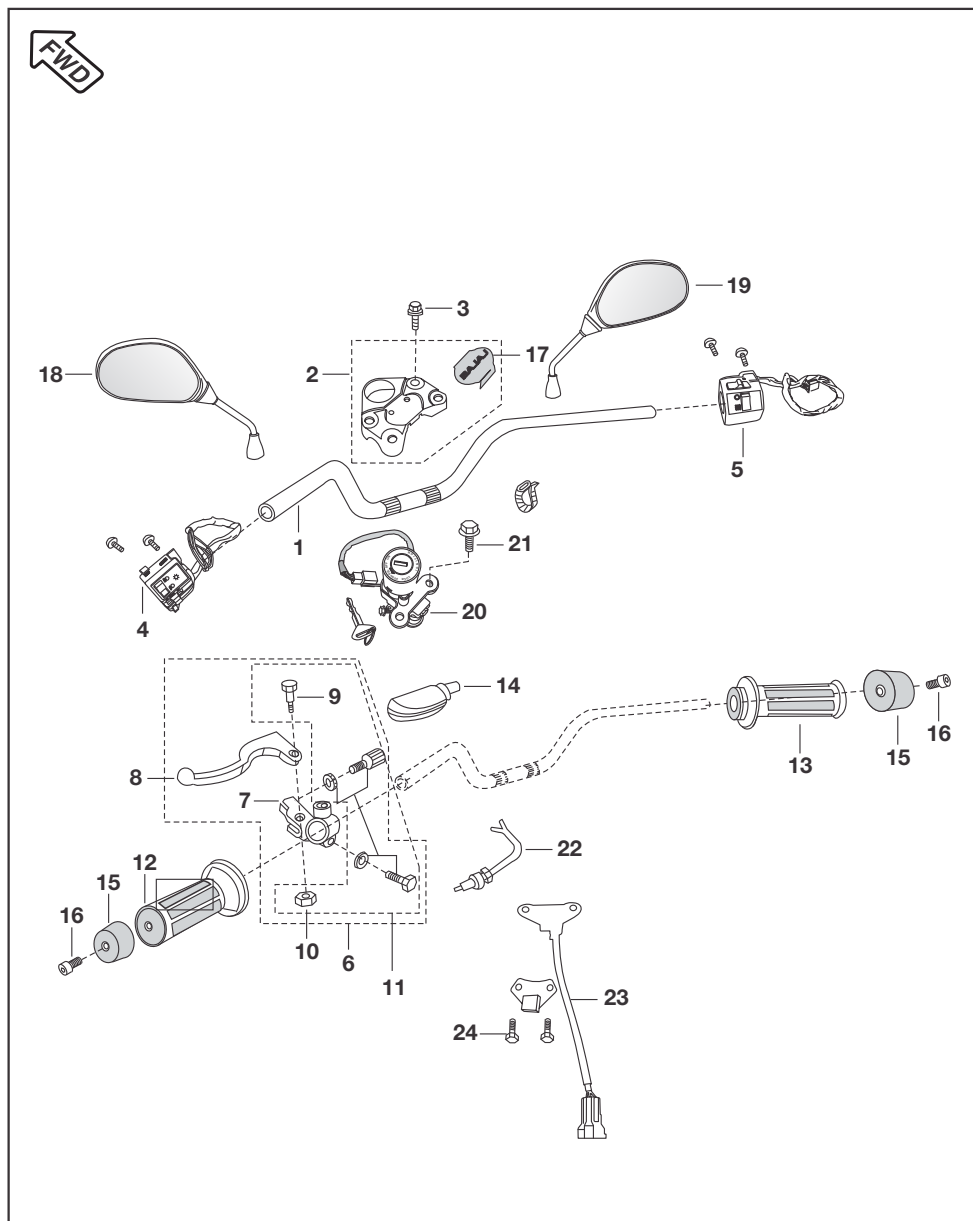
No.	Part No.	Description	Qty/Veh.	Remarks
1	39 2686 20	Bearing Ball	1	
2	30 1510 75	Collar Bearing	1	
3	DK 1510 94	Damper	1	From 16.12.2011
4	39 2241 20	Bearing Ball	1	
5	30 1510 69	Spring	2	
6	30 1511 05	Shoe Brake Assly.	1	
7	30 1510 12	Cam Brake	1	
8	DJ 1510 92	Panel Rear Brake	1	
9	36 DH 4012	Kit Lever Brake	1	Refer Kit Details
10	DJ 1510 32	Axle	1	
11	DJ 1510 34	Collar	1	
12	39 2567 11	Plain Washer	1	
13	DH 1710 19	'U' Nut	1	
14	39 0801 15	Nut	1	
15	39 2566 11	Plain Washer	1	
16	DJ 1510 35	Collar	1	
17	36 DH40 13	Chain Sprocket Kit	1	Refer Kit Details
18	DS 1510 74	Lock Washer	3	
19	30 1510 82	Seal Oil	1	
20	39 2240 20	Bearing Ball	1	
21	DS 1510 68	Coupling	1	
22	DS 1510 73	'D' Bolt	6	
23	DJ 1510 33	Sleeve	1	
24	39 0794 15	Hex. Lock Nut	6	
25	DJ 1510 53	Drive Chain Lock	1	
26	39 0722 11	Plain Washer	1	For Cam Brake
27	30 1510 38	'O' ring Cam Brake	1	

Rear Brake Pedal



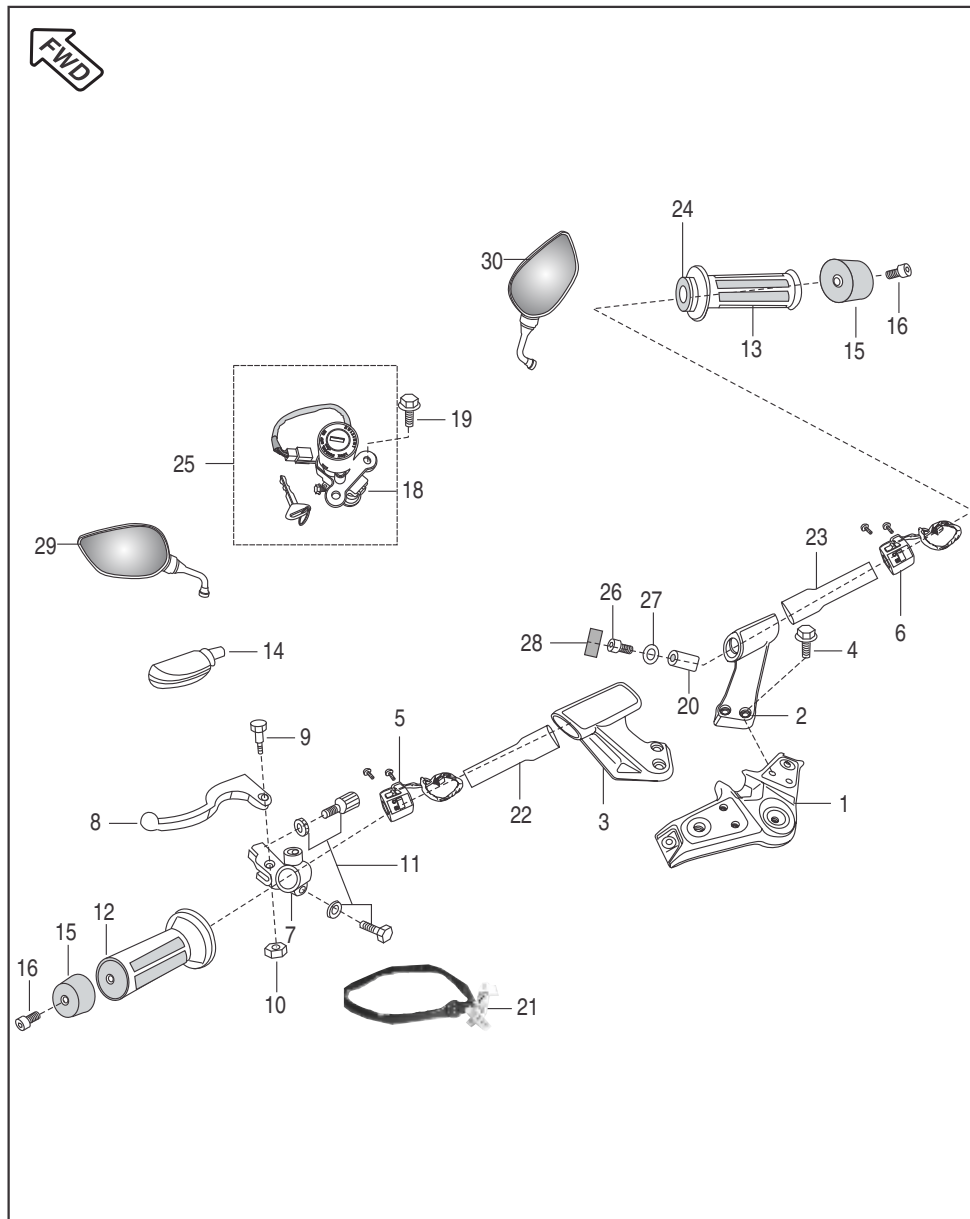
No.	Part No.	Description	Qty/Veh.	Remarks
1	DH 1910 01	Lever Brake Pedal	1	
2	DJ 1910 21	Shaft Assly. Brake Pedal	1	
3	36 DK00 16	Kit Hardware Brake Pedal	1	Refer Kit Details
4	DH 1910 06	Spring	1	
5	DJ 1910 10	Rod Assly. Brake	1	
6	36 DH 4014	Kit Hardware Rod Brake	1	Refer Kit Details
7	36 DH 4015	Kit Hardware Rod Torque	1	Refer Kit Details
8	30 1510 95	Hex. Bolt	1	
9	DJ 1510 42	Rod Torque	1	
10	DH 1510 29	Hex. Bolt	1	

Handle Bar ( Single Tube Type )



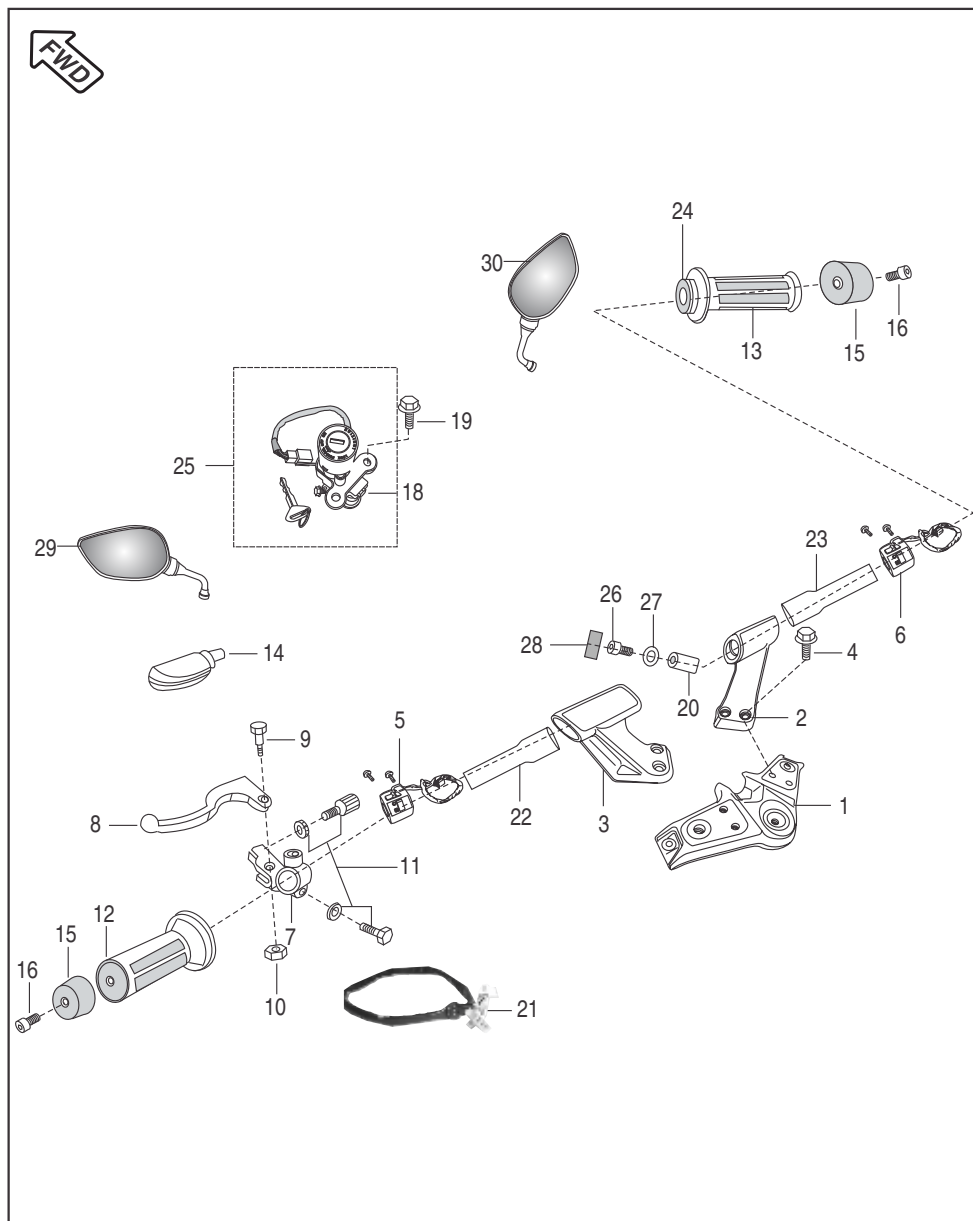
No.	Part No.	Description	Qty/Veh.	Remarks
1	DH 1810 55	Handle Bar	1	
2	DH 1810 53	Holder Handle	1	
3	39 2743 04	Flanged Bolt	4	
4	JC 2010 17	Control Switch LH	1	
5	JC 2010 18	Control Switch RH	1	
6	DJ 1910 09	Lever Assly. Grip LH	1	
7	DJ 1910 54	Holder Left Hand	1	
8	DJ 1910 55	Lever Grip Left	1	
9	DD 1910 85	Bolt	1	
10	39 1184 15	Self Locking Nut	1	
11	36 Dk00 37	Kit Hardware Holder LH	1	Refer Kit Details
12	DH 1910 07	Grip LH	1	
13	DH 1910 08	Grip Assly. RH	1	
14	DH 1910 19	Boot For Lever	1	
15	DJ 1810 11	Handle Bar Weight	2	
16	39 2427 04	Hex. Socket Head Cap Screw	2	Alt. 39 242704
17	DJ 1810 39	Pad Holder Handle	1	
18	DJ 2210 03	Mirror Assly. LH	1	
19	DJ 2210 04	Mirror Assly. RH	1	
20	JB 4014 02	Switch Assly. Ignition	1	
21	39 1943 04	Flange Bolt	2	
22	DJ 2011 95	Clutch Switch	1	
23	DJ 2012 11	Hall Sensor Assly.	1	
24	39 2208 04	Flange Bolt	2	
25	DH 1810 69	4 In 1 Lock Set With Key	1	N.I.

Handle Bar ( Split Type )



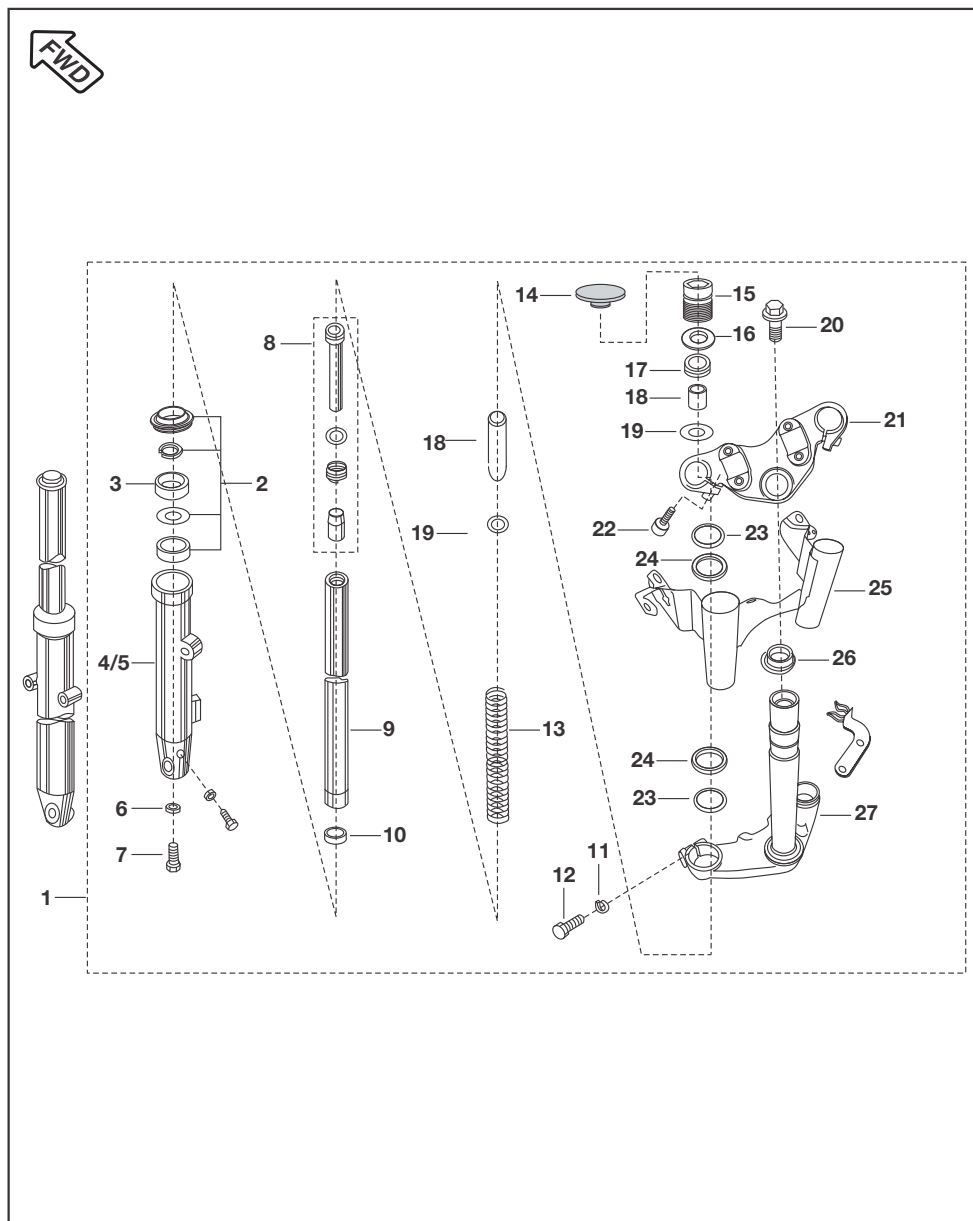
No.	Part No.	Description	Qty.	Remarks
1	DH 1810 91	Upper Bracket	1	
	DH 1811 05	Upper Bracket-Black	1	From 03.09.2011
2	DH 1810 96	Holder Handle RH	1	
	DH 1811 09	Holder Handle RH	1	From 01.06.2011
	DH 1811 03	Holder Handle RH	1	From 03.09.2011
3	DH 1810 94	Holder Handle LH	1	
	DH 1811 07	Holder Handle LH	1	From 01.06.2011
	DH 1811 04	Holder Handle LH-Black	1	From 03.09.2011
4	DG 1810 08	Socket Bolt	4	
5	JC 2010 17	Control Switch LH	1	
	JF 4014 00	Control Switch LH	1	C-43 Dated 17/08/2013
6	JC 2010 18	Control Switch RH	1	
	JF 4014 01	Control Switch RH	1	C-43 Dated 17/08/2013
7	DJ 1910 54	Holder LH	1	
8	DJ 1910 55	Lever LH	1	
	DJ 1910 83	Lever LH	1	From 16.12.2011
	DJ 1910 82	Lever & Holder Asly	1	From 16.12.2011
9	DL 1910 14	Stud Lever Handle	1	
10	30 1910 17	Self Locking Nut	1	
11	DD 1911 47	Adjusting Screw	1	
12	DH 1910 07	Grip LH	1	
13	DH 1910 08	Grip assly. RH	1	
14	DH 1910 19	Boot for lever LH	1	
15	DJ 1810 11	Handle bar weight	2	
16	39 2427 04	Hex. Soc. Hd. Cap Screw	2	
17	DS 1910 52	Lever Boot for Clutch Switch	1	N.I.

Handle Bar ( Split Type )



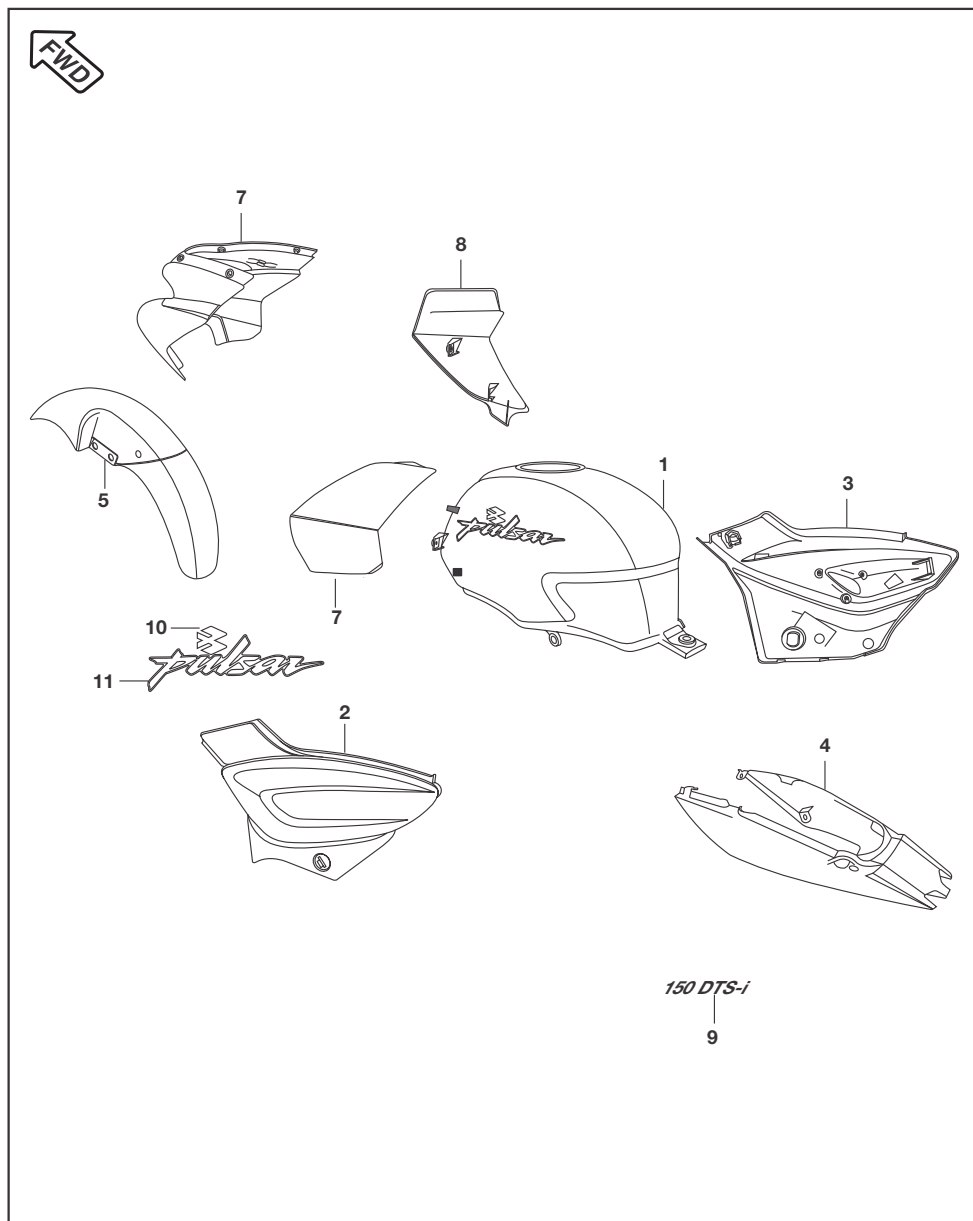
No.	Part No.	Description	Qty.	Remarks
18	JB 4014 02	Switch Assly. Ignition	1	
19	38 1943 04	Flange Bolt	2	
20	DK 1810 31	Bush Silent Handle Bar Tube	2	
21	DJ 2011 95	Clutch Switch	1	
	DJ 2012 46	Clutch Switch-Vertical Base	1	From 16.12.2011
22	DK 1810 46	Handle bar tube assly. LH	1	
	DK 1810 82	Handle bar tube assly. LH	1	From 01.06.2011
23	DK 1810 47	Handle bar tube assly. RH	1	
	DK 1810 86	Handle bar tube assly. RH	1	From 01.06.2011
24	DH 1910 17	Pipe throttle	1	N.I.
25	DH 1810 69	Lock set 4 in 1	1	
	DH 1811 19	Lock set 3 in 1	1	Applicable from 17.08.2013
26	DK 1810 58	Bolt	2	
	LA C000 20	Bolt Socket	2	From 01.06.2011
27	39 1180 11	Washer	2	
28	DH 1810 99	Rubber Plug	2	
29	DJ 2210 03	Mirror Assly. LH	1	
30	DJ 2210 04	Mirror Assly. RH	1	

Front Fork



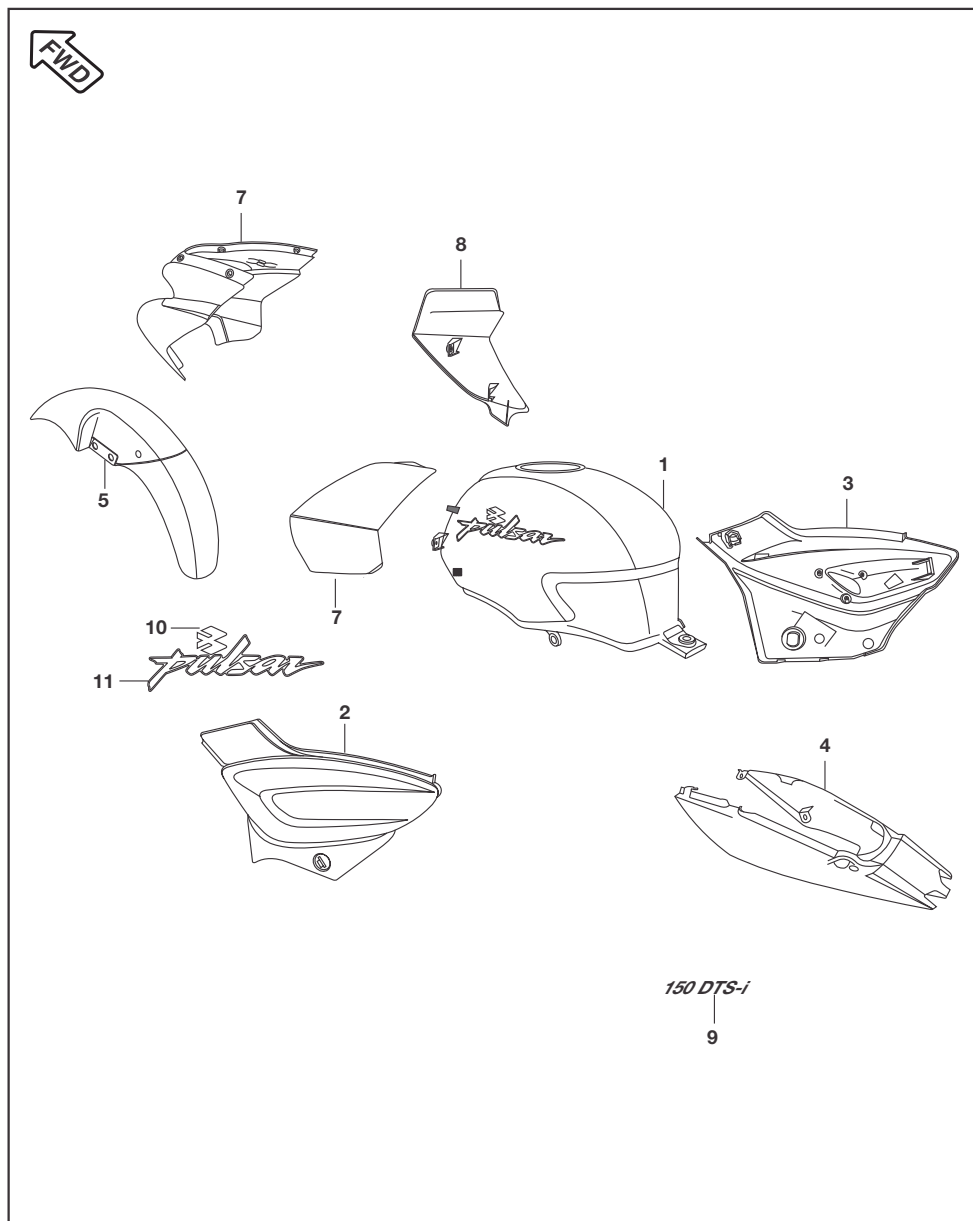
No.	Part No.	Description	Qty/Veh.	Remarks
1	DH 1810 60	Fork Front	1	
	DH 1810 86	Fork Front	1	C-21 dated 29/01/2010
	DH 1811 00	Fork Front	1	From- 08.07.2010
2	36 DK00 20	Kit Outer Tube	1	Ref Page No.104
3	DJ 1810 87	Oil Seal	2	
4	DH 1810 63	Outer Tube Lh	1	
5	DH 1810 64	Outer Tube Rh	1	
	DH 1811 01	Outer Tube Rh	1	From- 08.07.2010
6	30 1810 26	Gasket	2	
7	30 1810 25	Bolt	2	
8	DS 1810 77	Cylinder Comp. Fork	2	
9	DJ 1811 03	Pipe Comp. Suspension Inner	2	
	DH 1810 87	Pipe Comp. Suspension Inner	2	C-21 dated 29/01/2010
10	DS 1810 71	Slide Bush	2	
11	39 0789 12	Spring Washer	2	
12	39 1813 04	Bolt	2	
13	DJ 1811 04	Spring Front Fork	2	
14	DH 1810 09	Grommet Top	2	
15	DH 1810 15	Bolt Fork	2	
16	30 1810 29	'O' Ring	2	
17	30 1810 28	Seat Fork Spring	2	
18	DS 1810 85	Spacer Tube	2	
	DH 1810 83	Spacer Tube	2	C-21 dated 29/01/2010
19	DM 1810 10	Washer	2	
20	30 1810 44	Bolt	1	
21	DH 1810 56	Holder Fork Upper	1	
	DH 1810 91	Holder Fork Upper	1	C-21 dated 29/01/2010
22	DG 1810 08	Socket Bolt	2	
23	DJ 1810 85	Cushion Rubber	2	
24	DJ 1810 52	Cover Trail B	4	
25	DH 1810 66	Lamp Shade Assly.	1	
	DH 1810 92	Lamp Shade Assly.	1	C-21 dated 29/01/2010
26	DH 1810 25	Bearing Cone	1	
27	DJ 1810 41	Holder Fork Under	1	

Painted Parts & Decals



No.	Part No.	Description	Qty/Veh.	Remarks
1	DH 7103 4M	Fuel Tank With Decal	1	Midnight Black
	DH 7103 2V	Fuel Tank With Decal	1	Cocktail Wine Red
	DH 7103 4K	Fuel Tank With Decal	1	Plasma Blue
	DH 7103 4L	Fuel Tank With Decal	1	Misty Gray Silver
	DJ 7201 4M	Fuel Tank With Decal Black	1	From 17.11.2009
	DJ 7201 2V	Fuel Tank With Decal Red	1	From 17.11.2009
	DJ 7201 4K	Fuel Tank With Decal Blue	1	From 17.11.2009
	DJ 7201 4L	Fuel Tank With Decal Silver	1	From 17.11.2009
	DJ 7107 5G	Fuel Tank With Decal Pl Blue	1	From 03.09.2011
DJ 7107 5F	Fuel Tank With Decal CW Red	1	From 03.09.2011	
2	52 DH05 34	Side Cover LH	1	Midnight Black
	52 DH05 30	Side Cover LH	1	Cocktail Wine Red
	52 DH05 28	Side Cover LH	1	Plasma Blue
	52 DH05 32	Side Cover LH	1	Misty Gray Silver
3	52 DH05 35	Side Cover RH	1	Midnight Black
	52 DH05 31	Side Cover RH	1	Cocktail Wine Red
	52 DH05 29	Side Cover RH	1	Plasma Blue
	52 DH05 33	Side Cover RH	1	Misty Gray Silver
4	DH 7303 4M	Seat Cowl Assly.	1	Midnight Black
	DH 7303 2V	Seat Cowl Assly.	1	Cocktail Wine Red
	DH 7303 4K	Seat Cowl Assly.	1	Plasma Blue
	DH 7303 4L	Seat Cowl Assly.	1	Misty Gray Silver
5	DJ 7302 4M	Front Fender	1	Midnight Black
	DJ 7302 2V	Front Fender	1	Cocktail Wine Red
	DJ 7302 4K	Front Fender	1	Plasma Blue
	DJ 7302 4L	Front Fender	1	Misty Gray Silver
6	DH 7401 4M	Fairing	1	Midnight Black
	DH 7401 2V	Fairing	1	Cocktail Wine Red
	DH 7401 4K	Fairing	1	Plasma Blue
	DH 7401 4L	Fairing	1	Misty Gray Silver

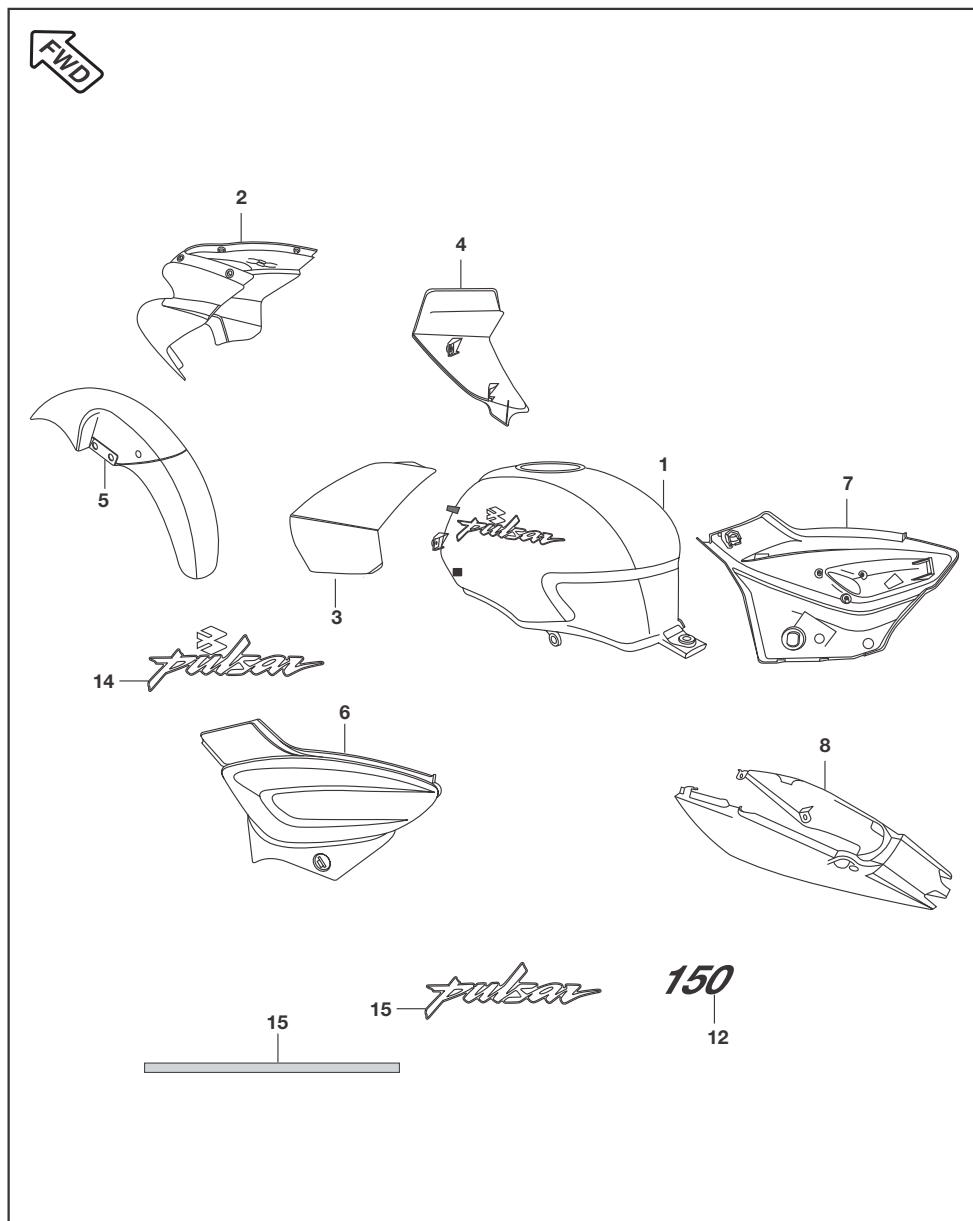
Painted Parts & Decals



No.	Part No.	Description	Qty/Veh.	Remarks
	52 DH06 83	Fairing PI Blue-Blue Dcl	1	From 03.09.2011
	52 DH06 82	Fairing CW Red-Red Dcl	1	From 03.09.2011
7	52 DH05 47	Tank Flap LH	1	Midnight Black
	52 DH05 41	Tank Flap LH	1	Cocktail Wine Red
	52 DH05 43	Tank Flap LH	1	Plasma Blue
	52 DH05 45	Tank Flap LH	1	Misty Gray Silver
8	52 DH05 48	Tank Flap RH	1	Midnight Black
	52 DH05 42	Tank Flap RH	1	Cocktail Wine Red
	52 DH05 44	Tank Flap RH	1	Plasma Blue
	52 DH05 46	Tank Flap RH	1	Misty Gray Silver
9	DH 1613 71	Pulsar 150 Decal	2	Common For All Colour
	36 DH40 42	Kit S Cowl Dcl-Blue	1	From 03.09.2011
	36 DH40 43	Kit S Cowl Dcl-Red	1	From 03.09.2011
10	JC 1410 51	'B' Monogram Tank black Chrome	1	For Silver Colour
	JC 1410 50	'B' Monogram Tank gray Chrome	1	For Black, Blue & Red
11	36 JC00 08	'Pulsar' Decal Kit LH Black Crome	1	For Silver Colour
	36 JC00 09	'Pulsar' Decal Kit RH Black Crome	1	For Silver Colour
	36 JC00 10	'Pulsar' Decal Kit LH Gray Crome	1	For Black, Blue & Red
	36 JC00 11	'Pulsar' Decal Kit RH Gray Crome	1	For Black, Blue & Red
12	DJ 1410 61	Beading (On Tank Flap)	2	N.I.
13	36 DH40 35	Kit Fairing Dcl-Blue	1	From 03.09.2011
	36 DH40 38	Kit Fairing Dcl-Red	1	From 03.09.2011
14	36 DK00 84	Kit Side Cover Dcl-Blue	1	From 03.09.2011
	36 DK00 88	Kit Side Cover Dcl-Red	1	From 03.09.2011
15	36 DH40 34	Kit Tank Dcl-Blue	1	From 03.09.2011
	36 DH40 37	Kit Tank Dcl-Red	1	From 03.09.2011

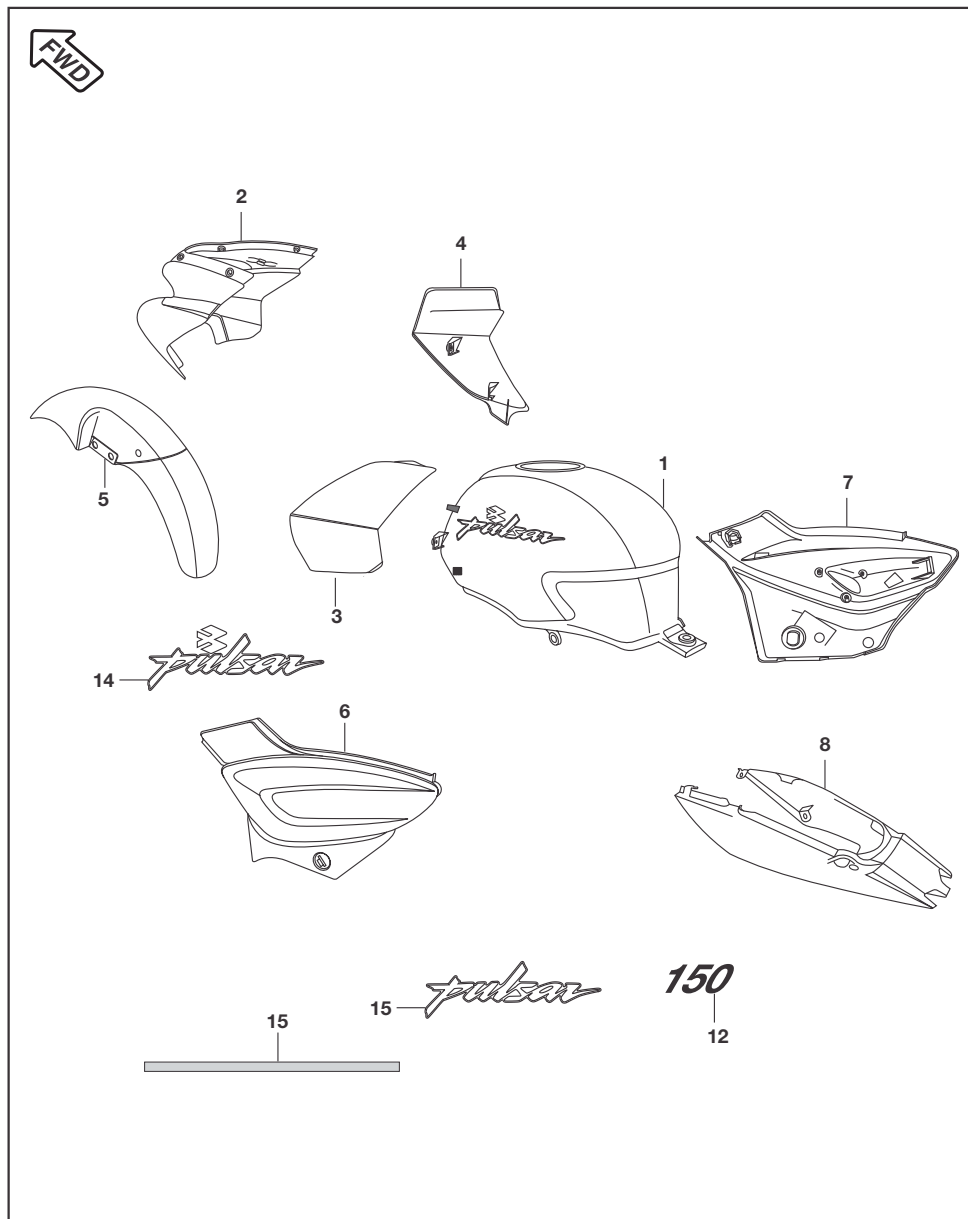


Painted Parts - 2 Tone Decals & Graphics



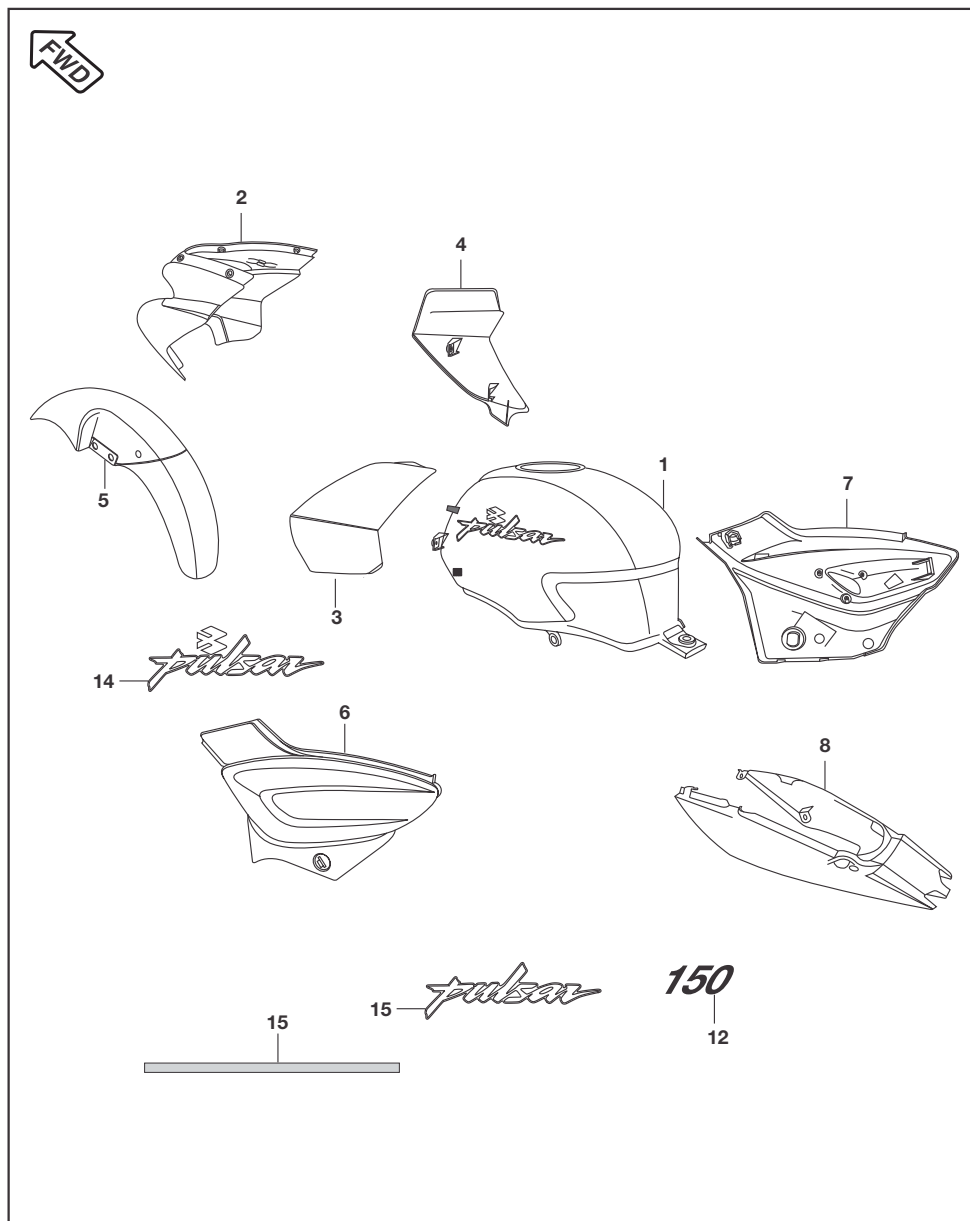
No.	Part No.	Description	Qty/Veh.	Remarks
1	52 DH08 43	P Tank K1 M Black+PI Silver Dcl	1	
	52 DJ05 46	P Tank K1/K2 M Black+S Blue Dcl	1	
	52 DJ05 45	P Tank K1/K2 M Black+W Red Dcl	1	
	52 DJ06 25	P Tank K1/K2 E Black	1	F-42 dated 30/06/2014
	52 DJ05 57	P Tank K1/K2 M White	1	F-42 dated 30/06/2014
	52 DH13 55	Tank With Decal EB Black	1	New C&G from Nov 16
	52 DH13 61	Tank With Decal Royal Blue	1	New C&G from Nov 16
52 DH13 75	Tank With Decal Flame Red	1	New C&G from Nov 16	
2	52 DH08 10	Fairing K1 +Dcl PI Silver	1	
	52 DJ05 17	Fairing Black+Saf Blue Dcl	1	
	52 DJ05 19	Fairing Black+W Red Dcl	1	
	52 DJ05 66	Fairing E Black	1	F-42 dated 30/06/2014
	52 DJ05 78	Fairing M White	1	F-42 dated 30/06/2014
	52 DH13 35	Fairing With Eb Blk Decal	1	New C&G from Nov 16
52 DH13 36	Fairing With Royal Blue Decal	1	New C&G from Nov 16	
3	52 DH08 13	K1 Flap LH Black+PI Silver Dcl	1	
	52 DH08 11	K1 Flap LH Black+S Blue Dcl	1	
	52 DH08 15	K1 Flap LH Black+W Red Dcl	1	
	52 DH08 79	K1 Flap LH E Black	1	F-42 dated 30/06/2014
	52 DH08 86	K1 Flap LH M White	1	F-42 dated 30/06/2014
	52 DH13 22	Tank Flap LH Eb Bl Wh Decl	1	New C&G from Nov 16
	52 DH13 23	Tank Flap LH Wh Ro Blue Decl	1	New C&G from Nov 16
4	52 DH08 14	K1 Flap RH Black+PI Silver Dcl	1	
	52 DH08 12	K1 Flap RH Black+S Blue Dcl	1	
	52 DH08 16	K1 Flap RH Black+W Red Dcl	1	
	52 DH08 80	K1 Flap RH E Black	1	F-42 dated 30/06/2014
	52 DH08 87	K1 Flap RH M White	1	F-42 dated 30/06/2014
	52 DH13 24	Tank Flap RH Wh Eb Blk Decal	1	New C&G from Nov 16
52 DH13 25	Tank Flap RH Wh Ro Blue Decl	1	New C&G from Nov 16	
5	52 DH08 21	K1 Front Fender PI Silver	1	
	52 DJ05 20	Front Fender Assly Saffire Blue	1	
	52 DJ05 22	Front Fender Assly Wine Red	1	
	52 DH08 46	Front Fender Assly E Black	1	F-42 dated 30/06/2014
	52 DH08 85	Front Fender Assly M White	1	F-42 dated 30/06/2014

Painted Parts - 2 Tone Decals & Graphics



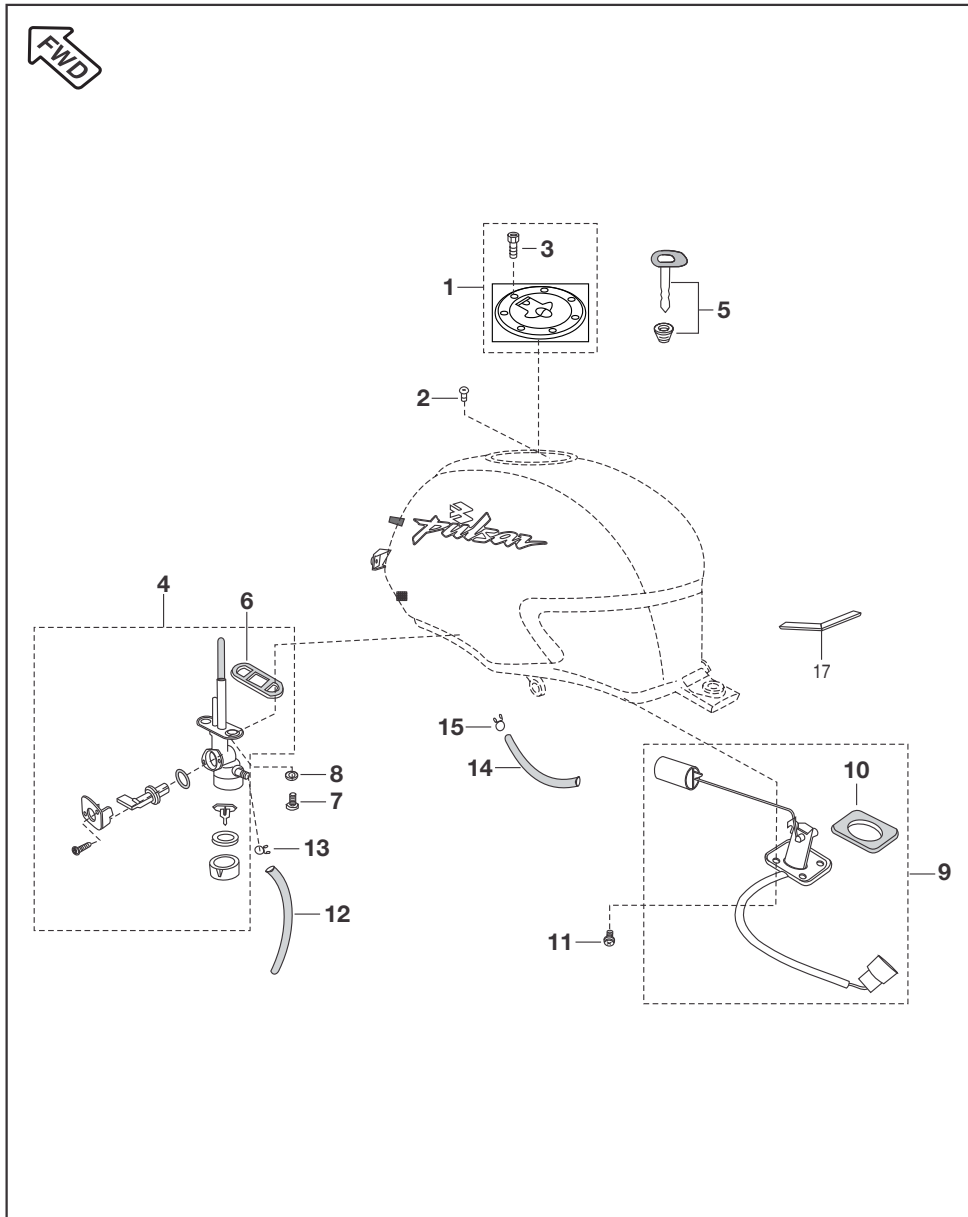
No.	Part No.	Description	Qty/Veh.	Remarks
	56 DH05 7T	Painted Fender Front Eb Blue	1	New C&G from Nov 16
	56 DH05 7Q	Painted Fender Front Royal Blue	1	New C&G from Nov 16
6	52 DH08 23	S Cover LH+Dcl PI Silver-K1	1	
	52 DH08 20	Cover Side LH Saffire Blue	1	
	52 DH08 22	Cover Side LH Wine Red	1	
	52 DJ05 62	Cover Side LH E Black	1	F-42 dated 30/06/2014
	52 DJ05 34	Cover Side LH M White	1	F-42 dated 30/06/2014
	52 DJ09 51	Side Cover LH Wh Dkl Eb Blk	1	New C&G from Nov 16
	52 DJ09 56	Side Cover LH Wh Dkl Royal Blue	1	New C&G from Nov 16
7	52 DH08 24	S Cover RH+Dcl PI Silver-K1	1	
	52 DJ05 33	Cover Side RH Saffire Blue	1	
	52 DJ05 37	Cover Side RH Wine Red	1	
	52 DJ05 63	Cover Side RH E Black	1	F-42 dated 30/06/2014
	52 DJ05 35	Cover Side RH M White	1	F-42 dated 30/06/2014
	52 DH09 52	Side Cover Rh Wh Dkl Eb Black	1	New C&G from Nov 16
	52 DJ09 57	Side Cover Rh Wh Dkl Royal Blue	1	New C&G from Nov 16
8	56 DH45 6E	Seat Cowl PI Silver	1	
	56 DK45 5N	Seat Cowl Saffire Blue	1	
	56 DK45 27	Seat Cowl Wine Red	1	
	56 DK45 X3	Seat Cowl E Black	1	F-42 dated 30/06/2014
	56 DK45 5Y	Seat Cowl M White	1	F-42 dated 30/06/2014
	52 DH13 57	Seat Cwl W Dkl Khi Eboby Black	1	New C&G from Nov 16
	52 DH13 58	Seat Cwl W Dkl Royal Blue	1	New C&G from Nov 16
9	36 DH40 69	Kit Tank Dcl PI Silver-K1	1	
	36 DJ40 46	Kit Tank Dcl W Red-K1/K2	1	
	36 DJ40 48	Kit Tank Dcl S Blue-K1/K2	1	
	36 DJ40 47	Kit Tank Dcl M White	1	F-42 dated 30/06/2014
	36 DH40 85	Kit Tank Dcl E Black	1	
	36 DJ40 64	Kit Tank Dcl Red	1	New C&G from Nov 16
	36 DJ40 68	Kit Tank Dcl Royal Blue	1	New C&G from Nov 16
10	36 DH40 64	Kit Tank Spoiler Dcl PI Silver-K1	1	
	36 DH40 63	Kit Tank Spoiler Dcl W Red-K1	1	
	36 DH40 62	Kit Tank Spoiler Dcl S Blue-K1	1	
	36 DH40 74	Kit Tank Spoiler Dcl E Black	1	F-42 dated 30/06/2014

Painted Parts - 2 Tone Decals & Graphics



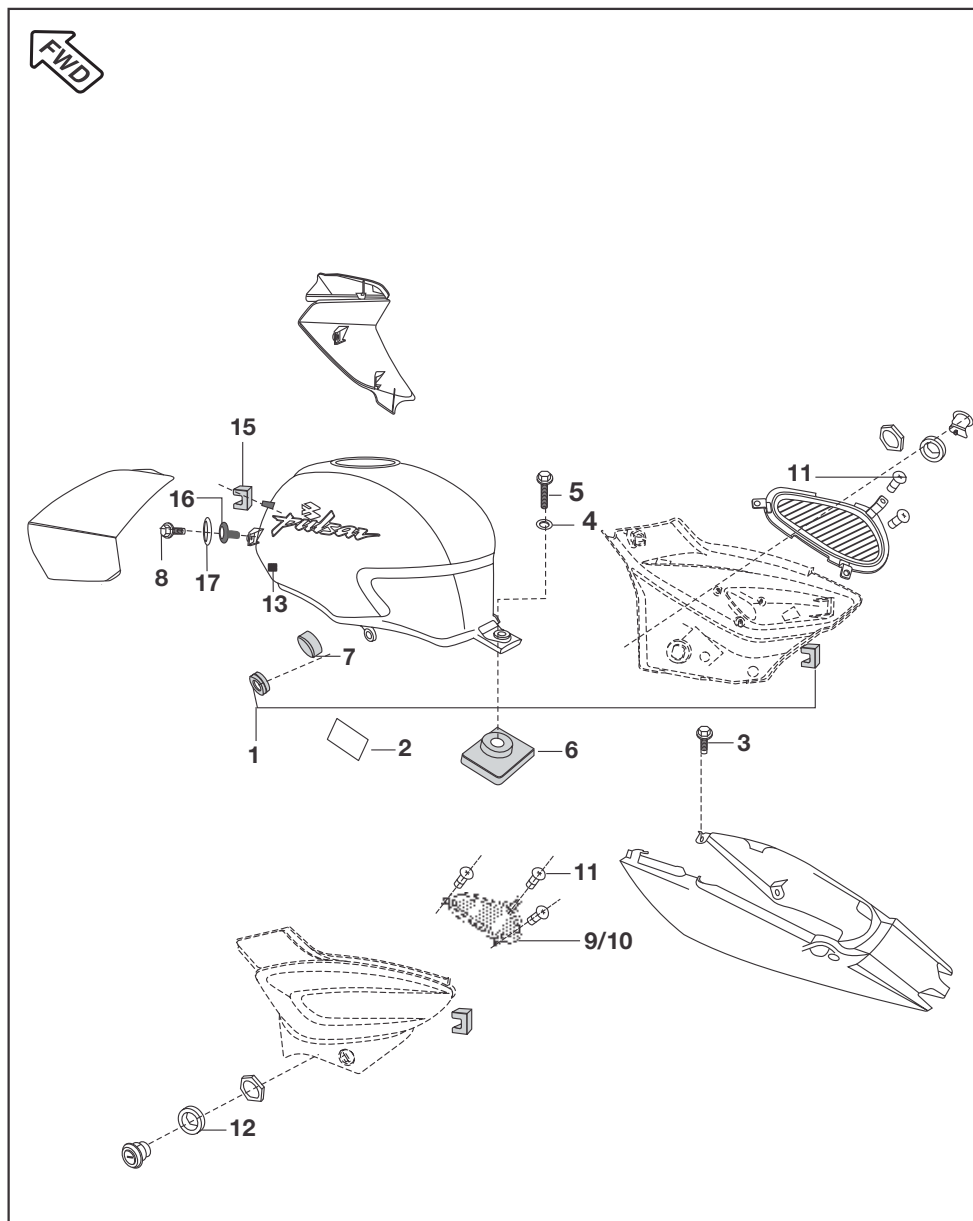
No.	Part No.	Description	Qty/Veh.	Remarks
	36 DH40 77	Kit Tank Spoiler Dcl M White	1	F-42 dated 30/06/2014
	DH 0101 30	Decal Flap Tank Upper LH Blue	1	New C&G from Nov 16
	DH 0101 31	Decal Flap Tank Upper RH Blue	1	New C&G from Nov 16
	DH 0101 08	Decal Flap Tank Upper Black LH	1	New C&G from Nov 16
	DH 0101 09	Decal Flap Tank Upper Black RH	1	New C&G from Nov 16
11	36 DH40 70	Kit S Cover Dcl PI Silver-K1	1	
	36 DJ40 45	Kit S Cover Dcl S Blue-K1/K2/K3	1	
	36 DJ40 43	Kit S Cover Dcl W Red-K1/K2/K3	1	
	36 DK01 26	Kit S Cover RH Royal Blue	1	New C&G from Nov 16
	36 DJ40 66	Kit S Cover Dcl RH Red	1	New C&G from Nov 16
	36 DK01 25	Kit S Cover LH Royal Blue	1	New C&G from Nov 16
	36 DJ40 65	Kit S Cover Dcl LH Red	1	New C&G from Nov 16
12	36 DH40 67	Kit S Cowl Dcl PI Silver-K1	1	
	36 DH40 65	Kit S Cowl Dcl S Blue-K1	1	
	36 DH40 66	Kit S Cowl Dcl W Red-K1	1	
	36 DH40 75	Kit S Cowl Dcl E Black	1	F-42 dated 30/06/2014
	36 DJ40 44	Kit S Cowl Dcl M White	1	F-42 dated 30/06/2014
	36 DH41 04	Kit Seat Cowl Dcl Black	1	New C&G from Nov 16
	36 DH41 05	Kit Seat Cowl Dcl Blue	1	New C&G from Nov 16
13	36 DH40 68	Kit Fairing Dcl PI Silver-K1	1	
	36 DJ40 39	Kit Fairing Dcl S Blue K1/K2	1	
	36 DJ40 37	Kit Fairing Dcl W Red-K1/K2	1	
	36 DH40 73	Kit Fairing Dcl E Black	1	F-42 dated 30/06/2014
	36 DH40 79	Kit Fairing Dcl M White	1	F-42 dated 30/06/2014
	36 DJ40 63	Kit Fairing Dcl Red	1	New C&G from Nov 16
	36 DJ40 69	Kit Fairing Dcl Royal Blue	1	New C&G from Nov 16
14	36 DK01 05	Kit Pulsar Dcl Satin LH	1	
	36 DK01 06	Kit Pulsar Dcl Satin RH	1	
	DJ 1614 03	Tank 3D Decal Satin Chrome Shaded LH	1	Ser Bulletin_2016_21
	DJ 1614 04	Tank 3D Decal Satin Chrome Shaded RH	1	Ser Bulletin_2016_21
15	DJ 1614 16	Pulsar 3D decal	2	New C&G from Nov 16
16	DH 0101 42	Decal Wheel LH BLUE	2	New C&G from Nov 16
	DH 0101 43	Decal Wheel RH BLUE	2	New C&G from Nov 16
	DH 0101 20	Decal Wheel FRONT LH-Ebony Black	2	New C&G from Nov 16
	DH 0101 21	Decal Wheel FRONT RH-Ebony Black	2	New C&G from Nov 16

Cap Tank & Gauge Fuel



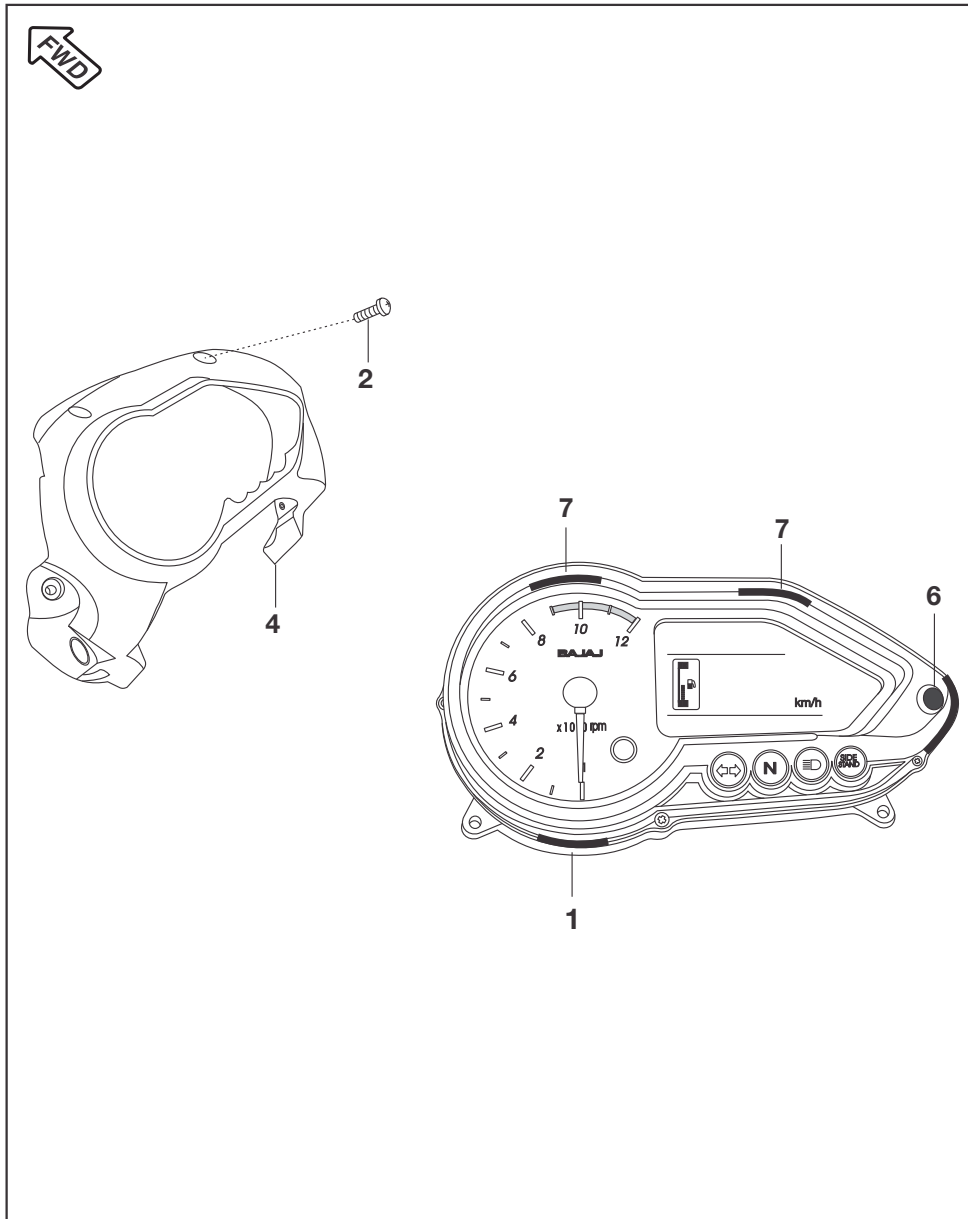
No.	Part No.	Description	Qty/Veh.	Remarks
1	DH 1410 50	Cap Assly. Tank	1	
2	30 1410 70	Pan Head Screw	2	Alt. 39 178001
3	39 2381 04	Hex. Soc Hd. Cap Screw	7	
4	DK 1410 01	Tap Assly	1	
5	DH 1410 48	Rotor	1	
6	30 1410 39	Packing	1	
7	DD 1412 27	Bolt Flanged	2	
8	39 0740 11	Plain Washer	2	
9	DH 2010 62	Gauge Fuel TFR	1	
	DK 2010 65	Gauge Fuel TFR	1	From 17.11.2009
10	30 1410 28	Gasket Fuel Gauge	1	
	39 2758 21	Gasket Fuel Gauge	1	From 17.11.2009
11	30 1410 32	Bolt	4	
	39 2884 15	Nut	4	From 17.11.2009
12	DJ 1410 06	Tube Fuel	1	
13	BA 1220 03	Pipe Clip	1	
14	DH 1410 24	Drain Tube	1	
15	DG 1410 28	Clamp	1	
16	30 1410 52	Packing Cap Tank	1	N.I
17	DH 1410 20	Seat Tape	1	

Fittings P. Tank, Side Cover & Cover Seat



No.	Part No.	Description	Qty/Veh.	Remarks
1	36 DH16 01	Grommet Kit For Side Cover	1	Ref. Kit Details
2	DH 1410 31	Tape Tank Inner	2	
3	39 1606 01	Screw	2	Alt.DG161121
4	39 2424 11	Plain Washer	1	
5	39 1556 04	Flange Bolt	1	
6	DH 1410 23	Damper	1	
7	DJ 1410 08	Damper Front	2	
8	39 1902 04	Flanged Bolt	1	
9	DK 1611 23	Cover Side Mesh LH	1	
10	DK 1611 24	Cover Side Mesh RH	1	
11	59 0200 01	Self Tap Screw	6	
12	31 1610 18	Damper	2	
13	JW 1710 07	Dual Tape	2	
14	JD 1710 18	Special Tape	2	
15	JC 1410 15	Grommet	2	
16	JC 1410 17	Grommet II	2	
17	JC 1410 16	Collar	2	

Meter Assembly



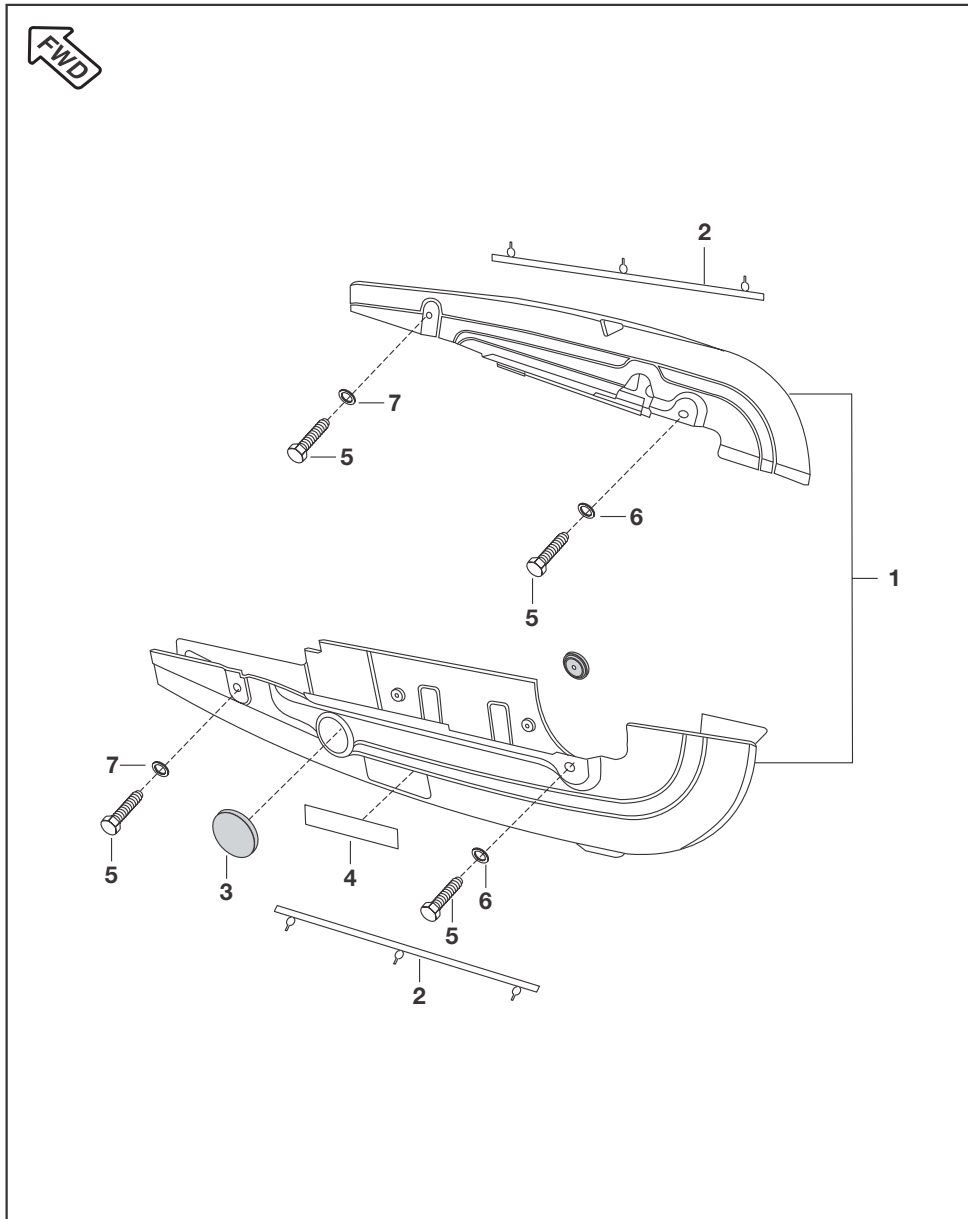
No.	Part No.	Description	Qty/Veh.	Remarks
1	DH 1910 56	Meter Assly / Instrument Cluster	1	
	DH 1910 65	Meter Assly / Instrument Cluster	1	C-43 Dated 17/08/2013
2	39 1778 02	Self Tapping Screw	4	
3	DJ 2011 37	Dust Cover Electronic Cluster	1	For Harness Coupler
4	DJ 1811 19	Speedo Meter Cover	1	N.I.
5	DJ 2011 59	Speedo Meter Top Cover	1	N.I.
6	DJ 2011 74	Trip Meter Knob	1	
7	DK 1612 09	Tape I	4	

Control Cables



No.	Part No.	Description	Qty/Veh.	Remarks
1	DJ 1910 61	Cable Accelerator	1	
2	DJ 2012 18	Speedo Sensor With Cable 'O' Ring	1	
	DH 2010 80	Cable Speedometer	1	F-36 Dated 07/06/2013
3	DJ 1910 15	Cable Clutch	1	
4	59 2100 19	'O' Ring	1	
5	DH 2010 81	Case Meter Assembly (N.I.)	1	F-36 Dated 07/06/2013
6	DH 2010 79	Case Meter Assly with sensor cable (N.I.)	1	F-36 Dated 07/06/2013

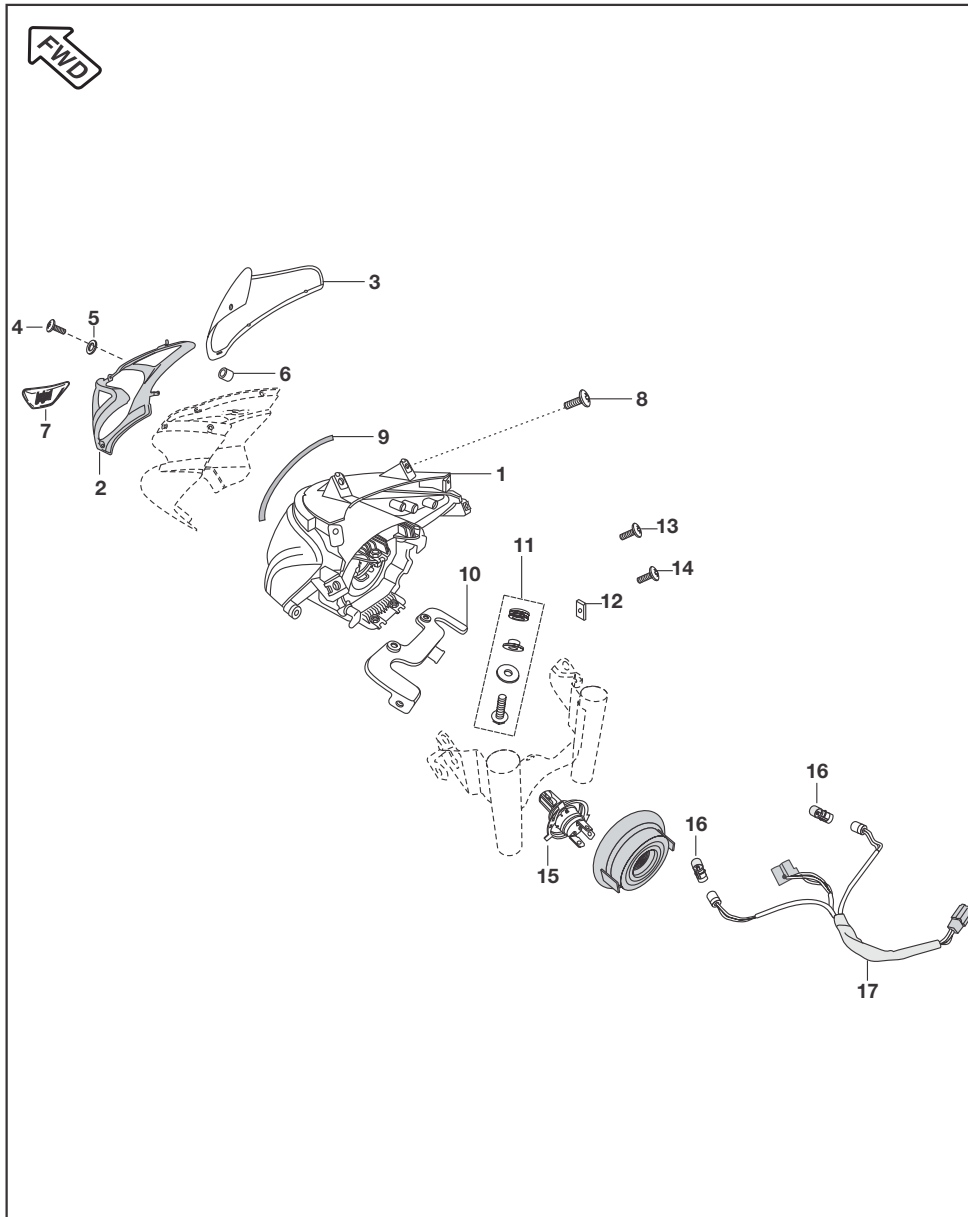
Chain Case



No.	Part No.	Description	Qty/Veh.	Remarks
1	52 DJ01 66	Case Chain Kit	1	
2	DH 1612 84	Rubber Beading	2	
3	15 1610 69	Rubber Cap	1	
4	DJ 1612 27	Instruction Label	1	
5	DH 1612 83	Bolt	4	Rear Side Mtg.
6	DX 1610 47	Washer	2	Front Side Mtg.
7	DH 1612 80	Plain Washer	2	

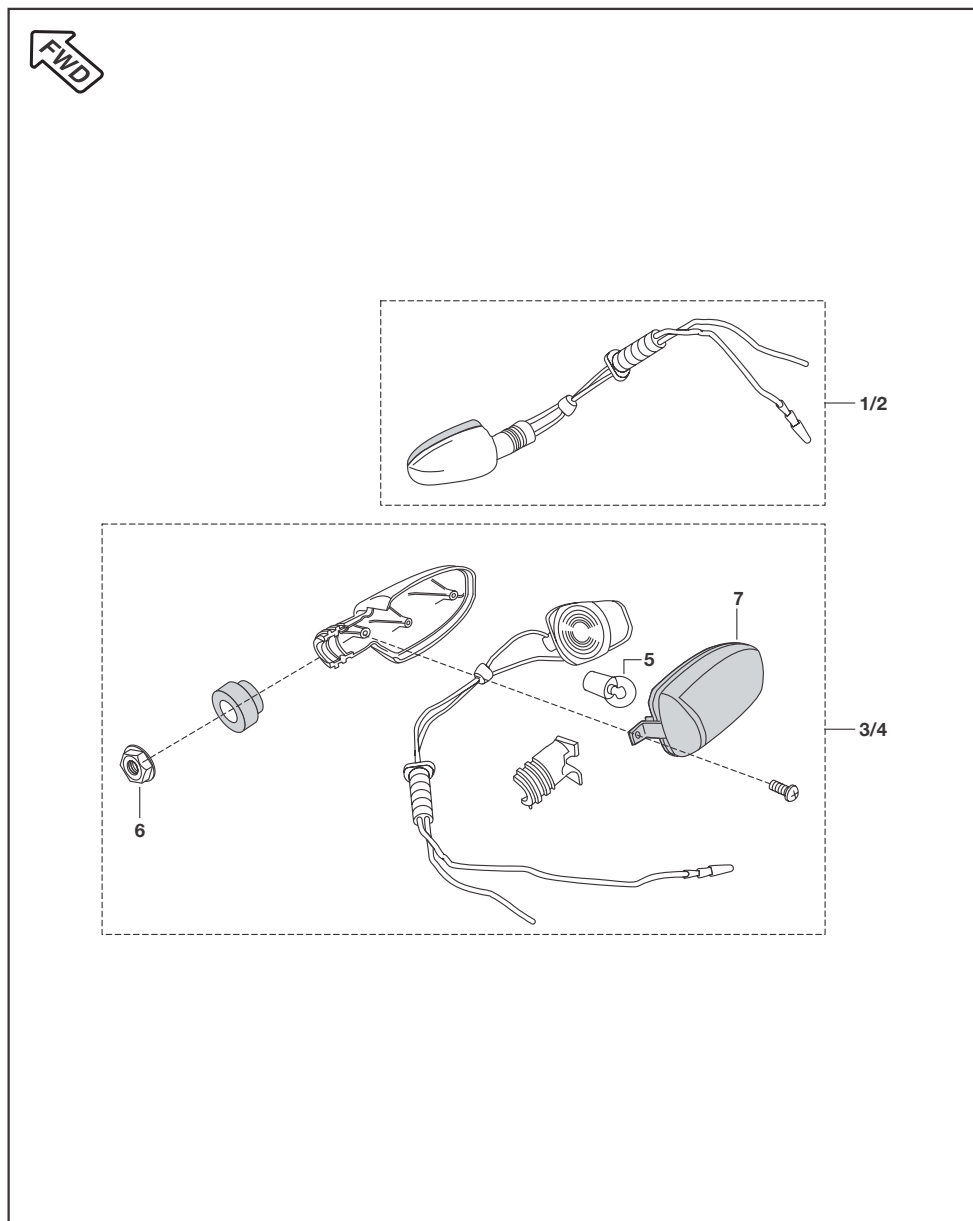


Head Lamp & Fairing



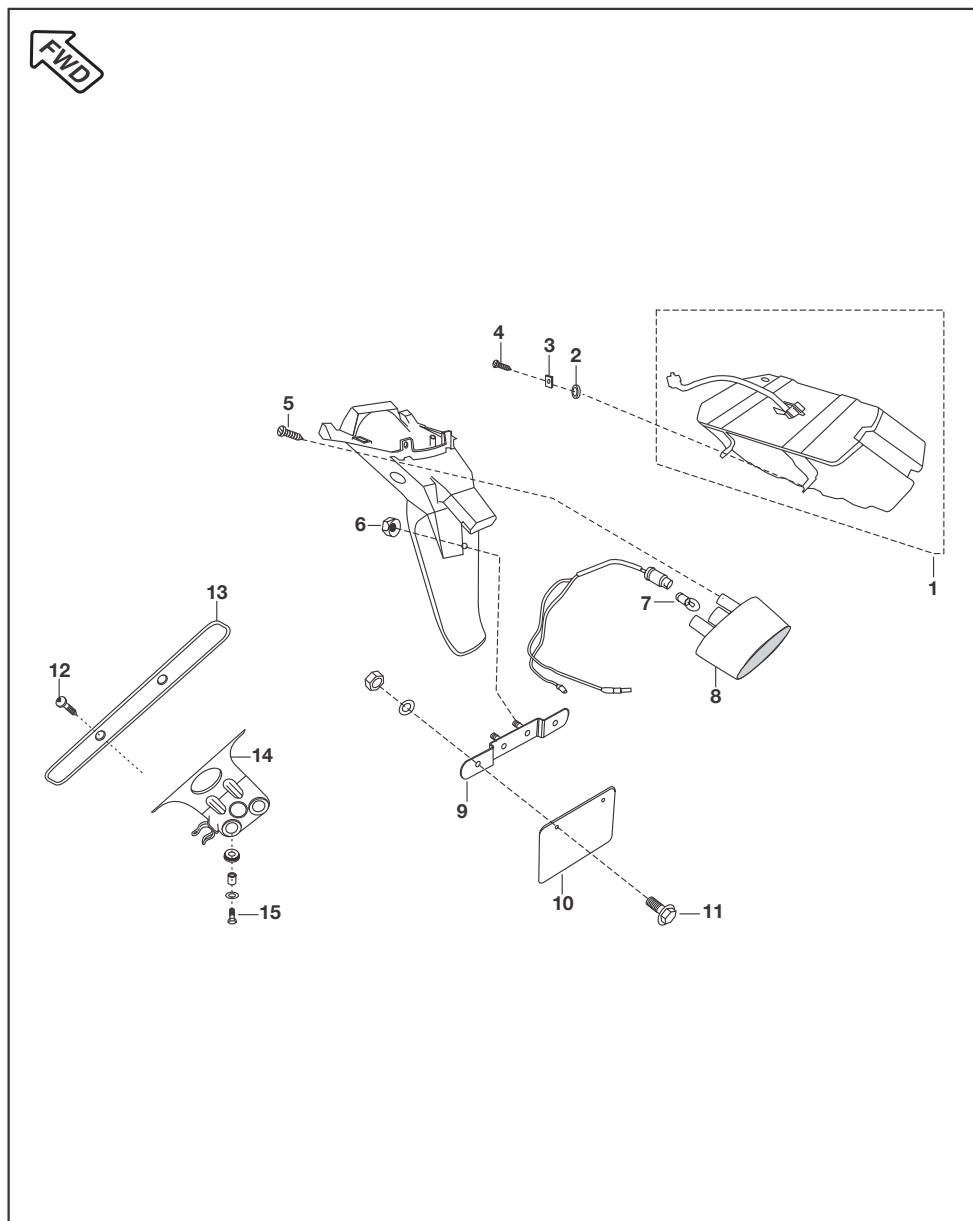
No.	Part No.	Description	Qty/Veh.	Remarks
1	DJ 2011 76	Head Lamp Assly. Without Bulb	1	
2	DJ 1811 20	Back Cover	1	
3	DJ 1810 33	Wind Shield	1	
4	DF 1810 98	Bolt M-5	4	
5	39 2141 24	Non Metallic Washer	4	
6	DL 1810 10	Well Nut	4	
7	DJ 1810 37	Decal Wind Shield	1	
8	39 1907 01	M5 X 15 Mushroom HD	2	
9	DJ 1810 69	Packing Fairing	1	
10	DH 1810 52	Fairing Mounting Upper Bracket	1	
11	36 DH40 20	Kit Hardware Mtg. Bracket	1	
12	DJ 1612 29	Clip Nut	4	
13	39 0716 01	Screw Pan Cross	2	
14	39 1524 01	Screw Pan Cross	2	
15	DD 2011 60	Lamp 12V 35/35W-HS1	1	
16	DJ 2010 72	Amber Bulb	2	
17	DJ 2012 30 YD H130 01	Head Lamp Bulb Wiring Harness HEADLAMP WIRING HARNESS	1 1	

### Indicator Light Assembly



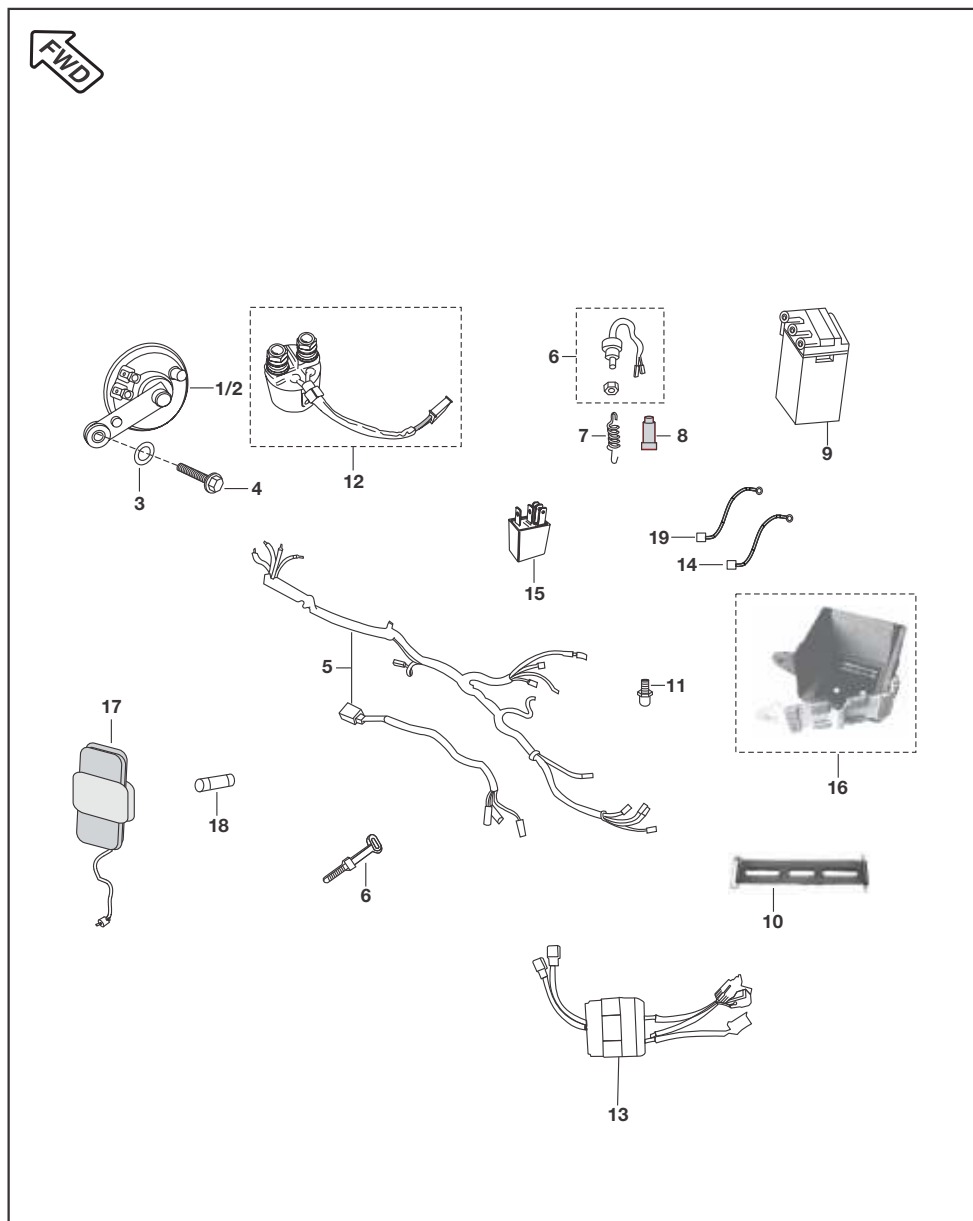
No.	Part No.	Description	Qty/Veh.	Remarks
1	DJ 2012 08	Blinker Front LH Flexible	1	
2	DJ 2012 09	Blinker Front RH Flexible	1	
3	DJ 2012 06	Blinker RR LH Flexible	1	
4	DJ 2012 07	Blinker RR RH Flexible	1	
5	GH 2010 12	Lamp 12V / 10W	4	
6	39 1225 15	Hex Nut Flange	4	
7	DJ 2010 50	Lens For Blinker RH	1	
	DJ 2010 49	Lens For Blinker LH	1	
8	DJ 2011 81	Magnet Assly. SCB	1	Not applicable for vehicles without BCU
	36 DH40 47	Kit Hall Sensor & Magnet SCB	1	From 13.02.2012

Tail Lamp Assly / FR & RR No. Plate



No.	Part No.	Description	Qty/Veh.	Remarks
1	DK 2010 03	Tail Light With Lamp	1	
2	DH 1612 93	Damper	2	
3	DK 1611 53	Clip Nut	4	
4	39 2592 01	Screw Pan Cross	4	
5	39 1907 01	Truss Screw	2	
6	39 1972 15	Nut Flange	2	
7	30 2010 29	Lamp 12V-4W	1	
8	JW 4010 11	No. Plate Illumination	1	
9	DJ 1610 72	Rear No. Plate Bkt.	1	
10	DP 1611 45	Number Plate Rear	1	
11	39 1680 04	Hex Flanged Bolt	2	
12	39 1783 01	Truss Screw	2	For Front No. Plate
13	DP 1611 44	Number Plate Front	1	
14	DH 1612 92	No. Plate Mounting Bracket	1	
15	39 1074 04	Bolt Flange	2	
16	39 1972 15	Nut Flange	2	

Electrical Equipments



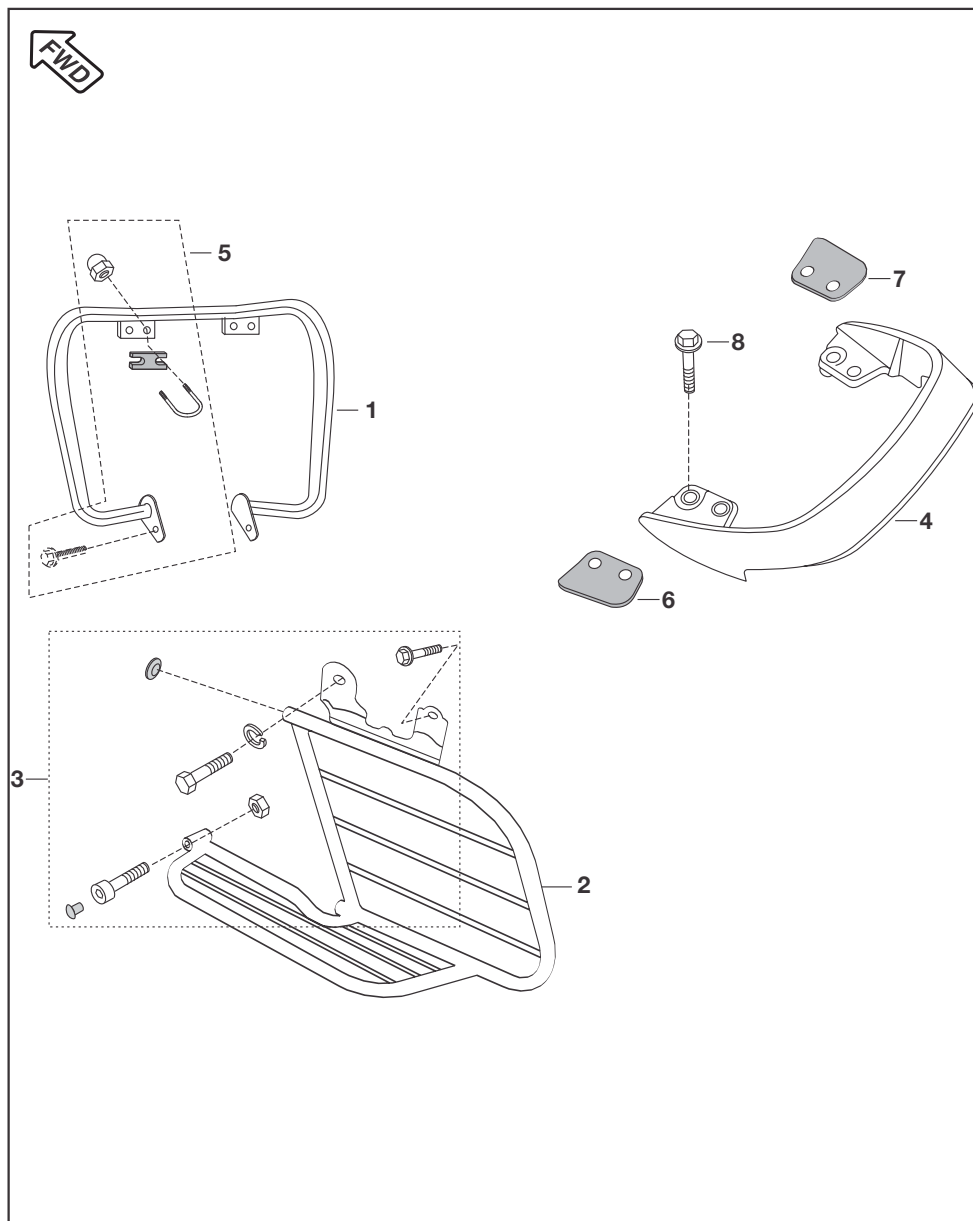
No.	Part No.	Description	Qty/Veh.	Remarks
1	DH 2010 76	Horn With LH Stay	1	From 08.07.2010
2	DH 2010 77	Horn With LH Stay	1	From 08.07.2010
3	39 1507 11	Plain Washer	1	
4	39 1956 04	Flange Bolt	1	
5	DH 2010 85	Wiring Harness	1	C-41 dated 10/08/2012
	DH 2010 86	Wiring Harness	1	C-43 dated 17/08/2013
6	31 2010 79	Rear Brake Switch	1	Alt. DS 2010 29
7	DH 1910 12	Spring Brake Switch	1	
8	DH 2010 19	Grommet Rear Brake Switch	1	
9	JF 4018 01	Battery (12V-7Ah)	1	From 24.04.2011
10	DH 1613 68	Band Battery Bkt.	1	From 24.04.2011
11	39 1944 04	Flange Bolt	1	
12	DK 2010 78	Starter Relay	1	
13	JC 2010 16	Switch Electronic Control Unit	1	Not applicable for vehicle without BCU
14	DJ 2011 40	Cable Assly. (Battery To Earth)	1	
15	AL 2010 12	Kill Switch Relay	1	Not applicable for vehicle without BCU
	DJ 2010 28	Kill Switch Relay	1	Not applicable for vehicle without BCU
16	DH 1611 26	Bracket Battery	1	
17	30 2011 04	Fuse Box Assly.	1	
18	30 2010 85	Fuse	1	
19	DJ 2010 20	Cable Assly. (Battery To St. Relay)	1	
20	DH 1613 66	Pad I	1	From 24.04.2011
21	DH 1613 67	Pad II	3	From 24.04.2011
22	JD 4018 06	Battery Over Flow Pipe	1	From 24.04.2011
23	60111415	Cable Tie Lock	4	C-41 dated 10/08/2012
24	JZ 4010 13	HL Control Switch	1	C-43 Dated 17/08/2013
25	DS 2010 25	DC Flasher	1	C-43 Dated 17/08/2013
26	DH 1614 21	Bracket for Slasher FLC unit	1	C-43 Dated 17/08/2013
27	LA D000 40	Bolt	1	C-43 Dated 17/08/2013

Tool Kit



No.	Part No.	Description	Qty/Veh.	Remarks
1	DJ 2210 06	Tool Kit	1	
2	DH 2110 05	Band Tool Kit	2	

Accessories / Grab Handle



No.	Part No.	Description	Qty/Veh.	Remarks
1	DJ 1612 26	Leg Guard assly	1	
2	DJ 2210 16	Sari Guard Assly.	1	
	DH 1615 09	Sari Guard Single Point Mounting	1	
3	36 DH40 17	Kit Hardware Sari Guard	1	Refer Kit Details
4	DJ 1612 63	Grab Handle	1	
	DH 1614 10	Grab Handle-Black	1	From 03.09.2011
5	36 DH40 18	Kit Hardware Leg Gaurd	1	Ref. Page No.109
6	DJ 1610 79	Foam LH For Grab	1	
7	DJ 1610 80	Foam RH For Grab	1	
8	39 2310 04	Flange Bolt	4	
	52 DH07 67	Kit Leg Guard	1	C-44 dated 23/08/2013

Sr. No.	Kit Part No.	Kit Description	Consisting of Following Parts		
			Part No.	Description	Qty./Kit
1	36DS1001	Cyl.Head O Ring Kit	39239121	O Ring (Cover tappet)	2
			39128321	O ring	2
2	36DS1002	Valve Kit	DS101023	Valve Intake	1
			Ds101024	Valve Exhaust	1
3	36DK0005	Valve Repair Kit	DS101083	Retainer valve spring	2
			DH101731	Spring valve inner	2
			DH101730	Spring valve outer	2
			DH101026	Seat valve spring	2
4	36DK0039	Guide Chain Kit	DH101017	Guide chain (Tight)	1
			DK101059	Guide Chain (slack)	1
5	36DH4009	Set primary drive & driven	DH101628	Gear primary drive	1
			DH101859	Clutch Housing com.	1
6	36DH4019	Kit centrifugal oil filter	39220011	Washer	1
			DH101234	Gasket centrifugal oil filter	1
			Dh101640	Screw	1
			DH101066	Join oil dealivery	1
			DH101067	Spring oil delivery	1
			39219908	Pin oil delivery joint	1
7	36DH1004	Set Damper	DH101284	Damper A	1
			DH101285	Damper B	1
			DH101286	Damper C	1
			DH101287	Damper D	1
8	36DH1005	Set of Plate	DH101288	Plate A	1
			DH101289	Plate B	1
			DH101290	Plate C	1
			DH101291	Plate D	1
9	36DH1006	Set Damper	DH101282	Damper Cover Magneto	1
			DH101292	Damper A Cover LH RR	1
			DH101294	Damper B Cover LH RR	1
10	36DH1007	Set of Plate	DH101283	Plate Damper	1
			DH101293	Plate Damper Cover LH RR	1
11	36DH1008	Boss Kick Set	DH101185	Spring Kick Starter Arm	1
			DH101068	Ball steel	1
			DH101547	Base kick lever	1
			DH101548	Hex. bolt with flange	1
			DH101320	Bolt	1
12	36DH4010	Kit Hardware Air Cleaner	DH101320	Bracket lock	1
			1110609	Plain washer	1
			39178001	Screw pan cross	1
			39177304	Bolt flange	4
			31121043	Coller	3
			39071111	Plain washer	3



	Kit Part No.	Kit Description	Consisting of Following Parts		
			Part No.	Description	Qty./Kit
13	36DK0015	Kit element air filter	DK121002	Element air filter fine	1
			DK121003	Element air filter coarse	1
14	36DH4011	Kit hardware shield	DH101301	Seal shield muflar	2
			DH101395	Trust screw	2
			DH101481	Grommet shield	1
15	36DK0009	Kit hardware silencer	39185004	Flange bolt	1
			39242511	Plain washer	1
			DD161071	U nut	1
			DH161155	Damper silencer	1
			DH161157	Tube silencer mounting	1
16	36DK0011	Kit hardware engine mounting	39231204	Bolt flange	4
			39197015	Nut flange	8
			39241304	Bolt flange	1
			DH161245	U Nut	3
17	36DS1802	Bearing cone kit	DH181025	Bearing cone	1
			DH181026	Bearing race	1
			DH181024	Upper bearing race	1
18	36DK0012	Kit bush rear shock absorber	39071411	Plain washer	8
			39071215	Dome cap nut	2
			39073712	Spring washer	2
19	36DK0013	Kit hardware pillion	DJ161186	Plait side pillion stape	2
			DH161061	Pin pillion set	2
			30141031	"O" ring	2
			39104011	Plain washer	2
			39078408	Split pin	2
20	36DH4012	Kit lever brake	30151038	"O" ring	1
			30101005	Indicator	1
			DJ151059	Lever brake	1
			39244704	Lever brake	1
			39079815	Nut	1
21	36DH4013	Chain sprocket kit	DH151056	Sprocket (43 teeth)	1
			Dh151051	Chain	1
			DH101117	Sprocket Drive	1
22	36DK0016	Kit hardware bracket pedal	39212104	Flange bolt	1
			DH191013	Sprocket brake shifter assly	1
			39153721	"O" ring	1
			DH191023	Dust cap	1

Sr. No.	Kit Part No.	Kit Description	Consisting of Following Parts		
			Part No.	Description	Qty./Kit
23	36DH4014	Kit hardware rod bracket	30901038	Pin	1
			39019811	Plain washer	1
			39080808	Split pin	1
			30191035	Spring	1
			15191026	Pin	1
			DH191045	Brake adjustment nut	1
24	36DH4015	Kit hardware rod torque	39078912	Spring washer	2
			3079415	Nut lock	2
			39080708	Pin snap	2
			39154011	Plain washer	1
25	36DK0019	Kit hardware holder LH	30191024	Screw	1
			30191017	Nut	1
			39021911	Plain washer	1
			39072504	Hex bolt	1
26	36DK0020	Kit outer tube	DJ181089	Seal dust	2
			DJ181088	Ring snap	2
			DS181072	Guide bush washer	2
			DS181070	Guide bush	2
27	36DH1601	Grommet kit for side cover	Dh161158	Grommet side cover	4
			DH161133	Grommet side cover rear	2
28	52DJ0166	Chin case kit	DJ161230	Case chain upper assly	
			DJ161231	Case chain lower assly	
29	36DH4020	Kit hardware fairing mounting	DJ181029	Coller faring mounting	6
			DJ181064	Grommet fearing mounting	6
			39021111	Plain washer	4
			39155204	Flange bolt	4
30	36DH4018	Kit hardware leg guard	DJ161176	Hook leg guard	2
			Dj161175	Spacer II leg guard	2
			39155604	Dome cap nut	4
31	36DH4017	Kit hardware saree guard	39155604	Flange bolt	1
			39078912	Spring washer	1
			39008004	Bolt	1
			39029615	Hex nut	1
			DD221003	Plug	1
			39160804	Hex socket bolt	1





Part No.	Figure No.	Page No.
15161069	3	98
22150451	7	54
28101174	14	24
30101061	21	16
30101142	3	26
30141028	10	90
30141032	11	90
30141039	6	90
30141052	16	90
30141070	2	90
30151012	7	70
30151033	4	64
30151038	27	70
30151069	5	70
30151075	2	70
30151082	19	70
30151095	8	72
30151105	6	70
30161157	2	60
30181011	3	50
30181025	7	80
30181026	6	80
30181028	17	80
30181029	16	80
30181044	20	80
30191017	10	76
30201029	7	104
30201085	18	106
30201104	17	106
31101106	11	2
31101106	16	24
31101173	4	12
31121006	9	10
31161018	12	92
31201079	6	106
35171033	17	52
36001052	12	50
38194304	19	78
39020111	13	56
39021111	12	58

Part No.	Figure No.	Page No.
39029215	8	56
39029215	16	52
39042215	10	60
39045411	12	52
39055302	11	52
39071111	7	58
39071601	13	100
39072211	26	70
39073817	18	32
39074011	8	90
39074011	18	52
39075201	6	24
39078111	9	64
39078708	1	64
39078708	3	60
39078912	11	80
39079415	24	70
39080115	14	70
39084001	16	64
39084914	18	46
39090012	15	64
39099311	9	32
39099906	6	28
39099906	11	26
39104119	4	26
39106204	4	22
39106204	24	16
39106901	7	56
39107404	15	104
39107504	9	2
39118011	27	78
39118415	10	74
39122515	6	102
39128215	6	54
39128321	3	28
39128321	6	4
39128321	8	28
39150711	3	106
39152401	14	100
39155604	5	92

Part No.	Figure No.	Page No.
39160601	3	92
39162011	9	14
39166005	2	4
39167204	3	14
39167204	13	58
39167404	2	42
39167404	9	4
39167404	9	30
39167404	11	14
39167404	14	8
39167704	22	24
39168004	7	50
39168004	8	58
39168004	11	104
39168606	4	42
39168606	8	14
39171404	9	56
39171519	4	24
39176904	2	68
39177802	2	94
39178001	11	34
39178301	12	104
39181304	12	80
39184504	21	24
39185004	12	56
39190204	4	40
39190204	8	92
39190701	5	104
39190701	8	100
39194304	21	74
39194404	10	44
39194404	11	106
39195604	4	106
39196704	10	48
39197015	5	38
39197215	6	104
39197215	16	104
39201719	5	6
39203804	10	64
39206004	12	60

Part No.	Figure No.	Page No.
39214124	5	100
39215220	5	14
39215704	7	48
39215811	2	16
39215911	13	16
39216011	9	16
39216511	3	12
39218006	8	22
39218106	2	10
39218304	2	12
39218520	9	24
39218919	10	24
39219019	11	24
39219421	6	42
39220011	17	30
39220207	7	26
39220307	8	12
39220804	11	28
39220804	20	26
39220804	24	74
39224020	20	70
39224120	4	70
39227611	17	32
39230504	23	24
39231004	2	54
39231004	8	110
39231004	13	48
39231104	14	48
39234411	10	32
39236220	2	64
39238104	3	90
39241204	8	48
39241404	11	48
39242411	4	92
39242704	16	74
39242704	16	76
39244011	9	6
39244311	18	26
39244811	20	24
39245304	6	20

Part No.	Figure No.	Page No.
39245711	15	48
39253105	2	24
39253105	3	22
39253204	8	2
39254220	3	8
39255717	7	14
39256120	6	12
39256611	15	70
39256711	12	70
39258320	6	22
39258320	8	24
39259201	4	104
39260120	9	22
39260220	7	22
39260320	7	24
39260607	7	18
39260801	11	4
39261720	4	8
39261720	11	30
39263904	6	18
39264715	6	2
39268620	1	70
39274304	3	74
39275821	10	90
39288415	11	90
59020001	11	92
59100002	1	44
59100002	17	46
59110002	9	6
59150003	8	64
59200007	9	46
59200028	12	14
59210019	4	96
60111415	23	106
36DH1006	10	28
36DH1007	13	28
36DH1008	3	32
36DH1203	8	34
36DH1601	1	92
36DH1902	15	66

Part No.	Figure No.	Page No.
36DH4009	9	12
36DH4010	2	36
36DH4011	3	38
36DH4012	9	70
36DH4013	17	70
36DH4014	6	72
36DH4015	7	72
36DH4017	3	110
36DH4018	5	110
36DH4019	13	12
36DH4020	11	100
36DH4022	15	56
36DH4030	5	8
36DH4031	1	26
36DH4034	15	84
36DH4035	13	84
36DH4037	15	84
36DH4038	13	84
36DH4042	9	84
36DH4043	9	84
36DH4044	1	26
36DH4047		102
36DH4048	1	66
36DH4050	1	2
36DH4050	1	4
36DH4062	10	88
36DH4063	10	88
36DH4064	10	88
36DH4065	12	88
36DH4066	12	88
36DH4067	12	88
36DH4068	13	88
36DH4069	9	86
36DH4070	11	88
36DJ4008	4	10
36DJ4031	1	66
36DJ4032	9	68
36DJ4033	10	68
36DJ4037	13	88
36DJ4039	13	88

Part No.	Figure No.	Page No.
36DJ4043	11	88
36DJ4045	11	88
36DJ4046	9	86
36DJ4048	9	86
36DK0005	6	6
36DK0009	6	38
36DK0011	4	48
36DK0012	3	52
36DK0013	6	56
36DK0013	9	54
36DK0015	5	36
36DK0016	3	72
36DK0020	2	80
36Dk0037	11	74
36DK0039	5	8
36DK0065	9	68
36DK0066	10	68
36DK0084	14	84
36DK0088	14	84
36DK0105	14	88
36DK0106	14	88
36DS1001	3	2
36DS1001	12	4
36DS1002	7	6
36DS1802	5	50
36DS4027		50
36JC0008	11	84
36JC0009	11	84
36JC0010	11	84
36JC0011	11	84
52DH0153	13	46
52DH0177	10	14
52DH0528	2	82
52DH0529	3	82
52DH0530	2	82
52DH0531	3	82
52DH0532	2	82
52DH0533	3	82
52DH0534	2	82
52DH0535	3	82

Part No.	Figure No.	Page No.
52DH0541	7	84
52DH0542	8	84
52DH0543	7	84
52DH0544	8	84
52DH0545	7	84
52DH0546	8	84
52DH0547	7	84
52DH0548	8	84
52DH0624	1	28
52DH0682	6	84
52DH0683	6	84
52DH0686	1	28
52DH0695	9	28
52DH0767		110
52DH0810	2	86
52DH0811	3	86
52DH0812	4	86
52DH0813	3	86
52DH0814	4	86
52DH0815	3	86
52DH0816	4	86
52DH0820	6	86
52DH0821	5	86
52DH0822	6	86
52DH0823	6	86
52DH0824	7	86
52DH0843	1	86
52DJ0166	1	98
52DJ0196	1	26
52DJ0517	2	86
52DJ0519	2	86
52DJ0520	5	86
52DJ0522	5	86
52DJ0533	7	86
52DJ0537	7	86
52DJ0545	1	86
52DJ0546	1	86
52JN0135	2	2
56DH456E	8	86
56DK4527	8	86

Part No.	Figure No.	Page No.
56DK455N	8	86
AA121045	4	36
AL201012	15	106
BA122003	13	90
CS101128	1	8
DD101062	15	8
DD101097	2	32
DD111012	15	44
DD121007	10	10
DD141227	7	90
DD161071	14	56
DD191015	11	50
DD191085	9	74
DD191147	11	76
DD201024	18	44
DD201160	15	100
DE151006	3	64
DE151008	6	64
DE151012	5	64
DE151015	11	66
DE151037	6	68
DE151043	7	68
DE151046	4	68
DE151047	5	68
DE191010	5	66
DE191011	4	66
DF161102	9	60
DF181098	4	100
DG101029	4	6
DG101418	8	26
DG111008	8	44
DG141028	15	90
DG151089	1	68
DG161124	7	38
DG171038	2	52
DG181008	3	58
DG181008	4	76
DG181008	22	80
DH101006	5	22
DH101016	1	10

Part No.	Figure No.	Page No.
DH101018	12	26
DH101048	8	8
DH101050	10	8
DH101064	10	12
DH101065	12	12
DH101072	2	14
DH101078	3	16
DH101079	4	16
DH101080	6	16
DH101082	7	16
DH101084	8	16
DH101108	12	16
DH101110	14	16
DH101111	15	16
DH101113	17	16
DH101117	22	16
DH101121	8	32
DH101125	13	32
DH101141	5	26
DH101142	6	26
DH101143	2	20
DH101144	3	20
DH101146	3	18
DH101154	13	26
DH101157	2	28
DH101157	7	28
DH101163	16	46
DH101169	25	24
DH101172	7	46
DH101180	16	30
DH101195	11	12
DH101197	2	26
DH101199	6	44
DH101203	12	24
DH101235	5	16
DH101246	13	24
DH101272	10	2
DH101275	6	30
DH101295	8	6
DH101319	18	16

Part No.	Figure No.	Page No.
DH101321	14	32
DH101323	12	28
DH101333	19	16
DH101334	20	16
DH101336	11	16
DH101353	7	32
DH101380	7	44
DH101381	5	44
DH101382	10	46
DH101385	5	46
DH101385	16	32
DH101386	4	44
DH101387	9	8
DH101389	14	46
DH101392	12	8
DH101393	7	20
DH101394	10	20
DH101397	4	20
DH101412	7	8
DH101414	7	10
DH101416	10	16
DH101422	24	24
DH101423	5	24
DH101424	6	14
DH101432	4	14
DH101468	2	38
DH101482	23	26
DH101485	13	30
DH101487	10	22
DH101493	4	18
DH101496	9	18
DH101502	9	20
DH101503	8	20
DH101508	4	4
DH101509	5	20
DH101510	19	26
DH101521	8	38
DH101531	5	32
DH101536	11	32
DH101537	4	32

Part No.	Figure No.	Page No.
DH101538	15	32
DH101539	19	32
DH101540	6	32
DH101544	17	26
DH101545	1	32
DH101607	9	38
DH101647	12	32
DH101648	15	30
DH101654	3	24
DH101661	15	24
DH101665	3	10
DH101671	5	10
DH101672	1	12
DH101680	3	4
DH101681	1	14
DH101703	2	8
DH101705	1	20
DH101759	10	38
DH101784	18	24
DH101795	11	30
DH101853	1	30
DH101860	3	30
DH101861	8	30
DH101862	4	30
DH101863	1	2
DH101863	1	4
DH101864	6	10
DH101869	1	22
DH101877	2	30
DH101898	5	4
DH101903	2	8
DH101919	1	22
DH101926	1	38
DH102104	1	14
DH111012	10	4
DH111013	16	44
DH111015	14	44
DH111016	17	44
DH111072	9	44
DH111077	12	44

Part No.	Figure No.	Page No.
DH111078	13	44
DH111081	2	44
DH111083	3	44
DH111084	11	46
DH121001	1	42
DH121010	3	42
DH121011	15	26
DH121012	16	26
DH121035	5	42
DH121038	8	4
DH121093	12	34
DH121101	9	34
DH121106	7	4
DH121132	3	36
DH121135	1	36
DH121138	1	34
DH121141	4	34
DH121148	2	34
DH121149	3	34
DH121150	13	34
DH121153	5	4
DH121154	1	34
DH121161	6	34
DH121162	7	34
DH121166	8	34
DH121168	3	34
DH121171	2	34
DH121173	4	34
DH121177	15	34
DH121178	1	36
DH122056	1	22
DH141020	17	90
DH141023	6	92
DH141024	14	90
DH141031	2	92
DH141048	5	90
DH141050	1	90
DH151029	10	72
DH161053	4	54
DH161056	8	54

Part No.	Figure No.	Page No.
DH161066	7	60
DH161112	2	50
DH161121	4	60
DH161126	16	106
DH161145	5	60
DH161146	8	60
DH161155	11	56
DH161157	10	56
DH161170	1	48
DH161194	5	54
DH161258	2	58
DH161268	2	48
DH161269	3	48
DH161273	9	48
DH161280	7	98
DH161283	5	98
DH161284	2	98
DH161292	14	104
DH161293	2	104
DH161301	12	48
DH161302	14	60
DH161321	1	50
DH161366	20	106
DH161367	21	106
DH161368	10	106
DH161371	9	84
DH161386	1	50
DH161404	1	56
DH161405	2	56
DH161410		110
DH161416	9	36
DH161421	26	106
DH171012	9	52
DH171013	6	52
DH171014	5	52
DH171015	7	52
DH171019	8	52
DH171019	13	70
DH171023	1	52
DH181009	14	80

Part No.	Figure No.	Page No.
DH181014	4	50
DH181015	15	80
DH181025	26	80
DH181052	10	100
DH181053	2	74
DH181055	1	74
DH181056	21	80
DH181060	1	80
DH181063	4	80
DH181064	5	80
DH181066	25	80
DH181069	25	74
DH181069	25	78
DH181083	18	80
DH181086	1	80
DH181087	9	80
DH181091	1	76
DH181091	21	80
DH181092	25	80
DH181094	3	76
DH181096	2	76
DH181099	28	78
DH181100	1	80
DH181101	5	80
DH181103	2	76
DH181104	3	76
DH181105	1	76
DH181107	3	76
DH181109	2	76
DH191001	1	72
DH191006	4	72
DH191007	12	74
DH191007	12	76
DH191008	13	74
DH191008	13	76
DH191012	7	106
DH191017	24	78
DH191019	14	74
DH191019	14	76
DH191056	1	94

Part No.	Figure No.	Page No.
DH191065	1	94
DH201019	8	106
DH201062	9	90
DH201076	1	106
DH201077	2	106
DH201079	6	96
DH201080	2	96
DH201081	5	96
DH201085	5	106
DH201086	5	106
DH211005	2	108
DH71032V	1	82
DH71034K	1	82
DH71034L	1	82
DH71034M	1	82
DH73032V	4	82
DH73034K	4	82
DH73034L	4	82
DH73034M	4	82
DH74012V	6	82
DH74014K	6	82
DH74014L	6	82
DH74014M	6	82
DJ101063	23	16
DJ101064	4	38
DJ101110	16	16
DJ101137	11	8
DJ101213	2	22
DJ101217	2	2
DJ101268	9	28
DJ101271	1	28
DJ101336	1	38
DJ101344	1	24
DJ121022	7	4
DJ121039	3	36
DJ121040	1	36
DJ121049	14	34
DJ121053	5	34
DJ121054	6	34
DJ121055	7	34

Part No.	Figure No.	Page No.
DJ121070	10	34
DJ141006	12	90
DJ141008	7	92
DJ141008	10	50
DJ141061	12	84
DJ151014	7	64
DJ151032	10	70
DJ151033	23	70
DJ151034	11	70
DJ151035	16	70
DJ151036	13	52
DJ151037	14	52
DJ151041	13	64
DJ151042	9	72
DJ151047	15	52
DJ151053	25	70
DJ151068	3	68
DJ151069	4	68
DJ151070	5	68
DJ151071	6	68
DJ151072	7	68
DJ151073	8	68
DJ151074	9	68
DJ151075	10	68
DJ151076	2	66
DJ151077	1	62
DJ151087	4	62
DJ151092	8	70
DJ161012	14	28
DJ161069	1	58
DJ161072	9	104
DJ161079	6	110
DJ161080	7	110
DJ161088	16	48
DJ161089	17	48
DJ161091	6	58
DJ161114	5	48
DJ161115	6	48
DJ161122	5	56
DJ161128	3	56

Part No.	Figure No.	Page No.
DJ161129	4	56
DJ161130	1	54
DJ161131	3	54
DJ161132	8	50
DJ161133	9	50
DJ161214	1	60
DJ161218	6	60
DJ161221	10	58
DJ161226	1	110
DJ161227	4	98
DJ161229	12	100
DJ161254	9	58
DJ161255	5	58
DJ161256	1	56
DJ161257	2	56
DJ161263	4	110
DJ161272	11	58
DJ171008	10	52
DJ171032	4	52
DJ181011	15	74
DJ181011	15	76
DJ181033	3	100
DJ181037	7	100
DJ181039	17	74
DJ181041	27	80
DJ181052	24	80
DJ181069	9	100
DJ181085	23	80
DJ181087	3	80
DJ181103	9	80
DJ181104	13	80
DJ181115	6	50
DJ181119	4	94
DJ181120	2	100
DJ191006	3	66
DJ191009	6	74
DJ191010	5	72
DJ191015	3	96
DJ191021	2	72
DJ191023	1	66

Part No.	Figure No.	Page No.
DJ191027	6	66
DJ191028	7	66
DJ191029	8	66
DJ191030	9	66
DJ191031	10	66
DJ191032	11	66
DJ191034	13	66
DJ191035	14	66
DJ191054	7	74
DJ191054	7	76
DJ191055	8	74
DJ191055	8	76
DJ191061	1	96
DJ191082	8	76
DJ191083	8	76
DJ201020	19	106
DJ201021	19	24
DJ201028		106
DJ201049		102
DJ201050	7	102
DJ201072	16	100
DJ201100	12	66
DJ201106	13	60
DJ201137	3	94
DJ201140	14	106
DJ201159	5	94
DJ201174	6	94
DJ201176	1	100
DJ201181	8	102
DJ201195	21	78
DJ201195	22	74
DJ201202	11	44
DJ201206	3	102
DJ201207	4	102
DJ201208	1	102
DJ201209	2	102
DJ201211	23	74
DJ201218	2	96
DJ201230	17	100
DJ201246	21	78

Part No.	Figure No.	Page No.
DJ211003	1	40
DJ211006	3	40
DJ221003	18	74
DJ221003	29	78
DJ221004	19	74
DJ221004	30	78
DJ221006	1	108
DJ221016	2	110
DJ71075F	1	82
DJ71075G	1	82
DJ72012V	1	82
DJ72014K	1	82
DJ72014L	1	82
DJ72014M	1	82
DJ73022V	5	82
DJ73024K	5	82
DJ73024L	5	82
DJ73024M	5	82
DK101126	14	30
DK101135	10	18
DK101159	1	18
DK101160	2	18
DK101176	6	46
DK101326	6	6
DK101361	8	18
DK101380	17	24
DK101382	5	18
DK101471	1	16
DK101480	14	26
DK101565	7	30
DK101569	5	30
DK101570	18	30
DK101571	19	30
DK101573	12	30
Dk101574	10	30
DK101592	8	10
DK101595	1	46
DK101596	15	46
DK101605	2	46
DK101605	4	46

Part No.	Figure No.	Page No.
DK101614	2	8
DK101636	16	30
DK101722	3	20
DK101725	8	20
DK101732	5	18
DK101733	1	20
DK101738	21	26
DK101748	1	6
DK101751	2	6
DK101755	3	6
DK101770	13	46
DK121008	7	36
DK121015	6	36
DK141001	4	90
DK151054	1	68
DK151094	3	70
DK161123	9	92
DK161124	10	92
DK161153	3	104
DK161209	7	94
DK181031	20	78
DK181046	22	78
DK181047	23	78
DK181058	26	78
DK181082	22	78
DK181086	23	78
DK201003	1	104
DK201065	9	90
DK201078	12	106
DK211007	2	40
DL181010	6	100
DL191014	9	76
DM181010	19	80
DP161144	13	104
DP161145	10	104
DS101084	7	2
DS101096	5	2
DS101154	5	12
DS101166	4	2
DS101201	22	26

Part No.	Figure No.	Page No.
DS101215	9	26
DS101252	21	26
DS101275	7	12
DS101276	6	8
DS101333	3	6
DS101335	1	6
DS101336	2	6
DS101353	5	28
DS101353	10	26
DS101353	12	46
DS101353	15	28
DS101366	8	6
DS121117	8	36
DS151029	6	62
DS151031	5	62
DS151048	2	62
DS151049	3	62
DS151058	12	64
DS151068	21	70
DS151073	22	70
DS151074	18	70
DS161125	4	58
DS181071	10	80
DS181077	8	80
DS181085	18	80
DS191052	17	76
DS201025	25	106
DV101042	4	28
DX161047	6	98
GH201012	5	102
JB401402	18	78
JB401402	20	74
JC101034	13	8
JC101035	10	8
JC101114	3	46
JC101115	8	46
JC141015	15	92
JC141016	17	92
JC141017	16	92
JC141050	10	84

Part No.	Figure No.	Page No.
JC141051	10	84
JC201016	13	106
JC201017	4	74
JC201017	5	76
JC201018	5	74
JC201018	6	76
JC201039	11	60
JC201046	14	64
JD171018	14	92
JD401806	22	106
JE541212	12	28
JF401400	5	76
JF401401	6	76
JF401801	9	106
JN131603	11	64
JN131807	7	64
JW131807	6	68
JW171007	13	92
JW401011	8	104
JZ401013	24	106
LAC00020	26	78
LAD00040	27	106

Part No.	Figure No.	Page No.
----------	------------	----------