



Bajaj Auto Limited
Akurdi Pune 411 035 India
Tel +91 20 27472851
Fax +91 20 27407385
www.bajajauto.com

Spare Parts Catalogue





Notice

All information contained in this manual is based on the latest product information at the time of publication. Bajaj Auto Limited accepts no liability for any inaccuracies or omissions in this publication, although every possible care has been taken to make it as complete and accurate as possible. All procedures and specifications subject to change without prior notice. The right is reserved to make such changes at any time without prior notice and without incurring an obligation to make such changes to product manufactured previously. Contact your authorized Bajaj Dealer for the latest information on product improvements incorporated after this manual was issued.

DOC. NO.: 71110736

REV. 00, MAR. 09

Foreword



We have pleasure in presenting the Spare Parts Catalogue for 'XCD 135 DTS-Si' Motorcycle. This catalogue has been specially designed to assist you in selecting the correct parts for procurement to maintain 100% availability.

The Bajaj spares are subjected to the stringent quality control standards to ensure longer life of the vehicle. It is therefore necessary that only the Genuine Bajaj Spares are used.

In a continual effort to improve Performance and Efficiency of the vehicles, Specifications, Diagrams, Illustrations and Part Numbers can change without notice. Consequently, the description in this Spare Parts Catalogue cannot therefore be final and binding on us.

The modifications / alterations which are carried out after the issue of this catalogue, will be conveyed to you through our Service Circulars. You are requested to make necessary corrections in the Parts Catalogue as per the circulars so as to keep your catalogue up-to-date. This will ensure the appropriate and speedy delivery of the Spare Parts as the order placed will bear the latest part numbers.

In case, if you need any technical assistance contact the concerned Regional Office or write to us on the following address :

Bajaj Auto Limited

Service Department

Akurdi, Pune 411 035 India

Phone : 020-27406557

Fax : 020-27407385

E-mail : service@bajajauto.co.in

Instructions



1. How to Read the Catalogue : Open the catalogue and from the pictorial index locate the group in which the part you want to find is present. Turn over to the concerned page number (as given by pictorial index). Now find out the figure of the part you wish to order. Write down the part number against that particular figure number from the text.

In case, if you have the part number and you need the other details, the part index can be used. The part index (at the end of the catalogue) will give you the figure and page number of the part you wish to order.

2. How to Order Spare Parts : The part number and the description of the part required should be invariably mentioned in the order as per the catalogue text.

The latest part number as conveyed through our service circulars should only appear on the order. In case of ordering painted components, colour shade of the components should be mentioned.

The quantity shown against the part number is the quantity per vehicle for that group so that particular quantity should be multiplied by the number of sets required.

3. Part Number System : We have used 8 digit system for part numbers. The model or hardware item is indicated by first two digits or alphanumeric, the next two or four digits indicate main group and the last four or two digits indicate serial number in main group or serial number or subgroup of fastener respectively. Thus the part numbers will be indicated by 2-2-4 or 2-4-2 digit system. Understanding this system will enable you to identify the spare parts easily.

4. Abbreviations : The following abbreviations are used in this catalogue.

Assly	Assembly	V	Volts
N.I.	Not illustrated	W	Watts
C'case	Crankcase	Accl.	Accelerator
Cyl	Cylinder	Comp.	Complete
O/s	Over size	Fr.	Front
Rr.	Rear	Std.	Standard
L	Length	A/t.	Alternate
R.H.	Right hand	L.H.	Left hand
Hex.	Hexagonal	AR	As required

Index



Plate No.	Description	Page No.
1	Cover Cylinder Head	2
2	Cylinder Head	4
3	Valve	6
4	Camshaft / Tensioner	8
5	Cylinder & Piston	10
6	Crankshaft	12
7	Transmission	14
8	Change Drum / Shift Fork	16
9	Gear Change Mechanism	18
10	Crankcase RH	20
11	Crankcase LH	22
12	Clutch Cover	24
13	Cover Magneto	26
14	Clutch Assembly	28
15	Kick Starter Mechanism	30
16	Carburettor	32
17	Air Cleaner Complete	34
18	Silencer Assly	36
19	Oil Pump	38
20	Starter Assly	40
21	Magneto / C.D.I. / H.T. Coil	42
22	Starter Motor	44
23	Seat Assly	46
24	Engine Mountings	48
25	Frame & Frame Fitting	50
26	Swing Arm / Rear Shock Absorber	52
27	Stay Main Step	54
28	Pillion Foot Rest / Holder	56
29	Fender - Front & Rear	58
30	Stand Assembly	60

Index



Plate No.	Description	Page No.
31	Tyre/ Tube / Rim	62
32	Front Hub (For Drum Brake System)	64
33	Front Hub (For Disc Brake System)	66
34	Front Master Cylinder	68
35	Front Disc Brake	70
36	Rear Hub	72, 74
37	Rear Brake Pedal	76
38	Handle Bar	78, 80
39	Front Fork	82, 84
40	Painted Parts & Decals	86, 88
41	Petrol Tank Spoiler	90
42	Petrol Tank, Cap Tank & Gauge Fuel	92
43	Fittings - Petrol Tank, Side Cover & Cover Seat	94
44	Meter Assly.	96
45	Control Cables	98
46	Chain Case	100
47	Head Lamp & Fairing	102
48	Indicator Light Assly.	104
49	Tail Lamp Assly. / Front No. Plate	106
50	Electrical Equipments	108
51	Tool Kit	110
52	Accessories / Grab Handle	112
	Kits List For XCD 135	113, 114, 115
	Amendment Sheet (Parts Added/Deleted)	116
	Part Index	119

Pictorial Index



PLATE NO. : 1 COVER CYLINDER HEAD	PAGE NO. 2	PLATE NO. : 2 CYLINDER HEAD	PAGE NO. 4

PLATE NO. : 3 VALVE	PAGE NO. 6	PLATE NO. : 4 CAMSHAFT / TENSIONER	PAGE NO. 8

Pictorial Index



PLATE NO. : 5 CYLINDER & PISTON	PAGE NO. 10	PLATE NO. : 6 CRANKSHAFT	PAGE NO. 12

PLATE NO. : 7 TRANSMISSION	PAGE NO. 14	PLATE NO. : 8 CHANGE DRUM / SHIFT FORK	PAGE NO. 16

Pictorial Index



PLATE NO. : 9
GEAR CHANGE MECHANISM

PAGE NO.
18

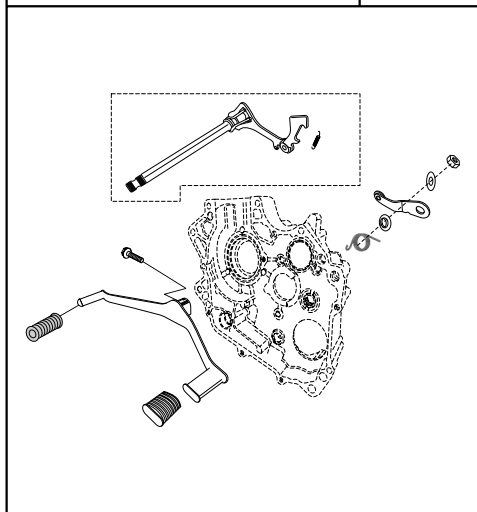


PLATE NO. : 10
CRANKCASE RH

PAGE NO.
20

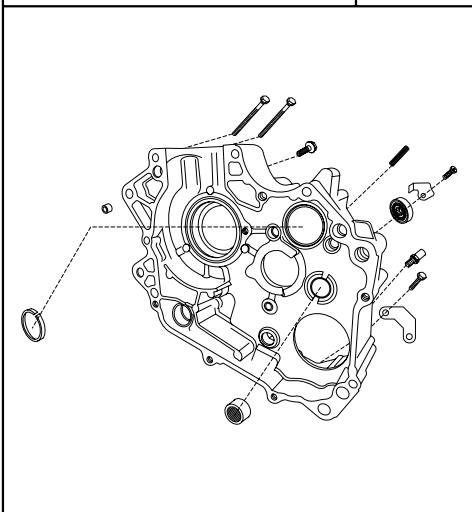


PLATE NO. : 11
CRANKCASE LH

PAGE NO.
22

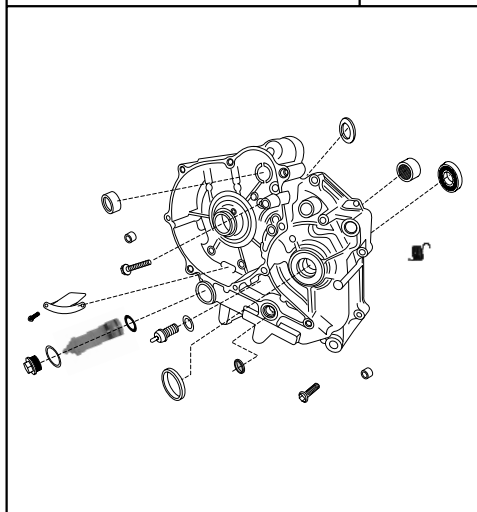
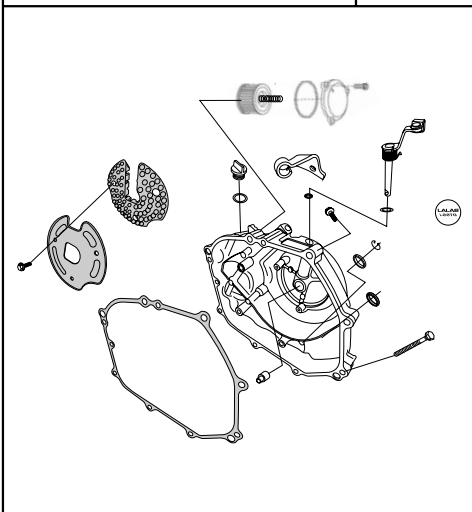


PLATE NO. : 12
CLUTCH COVER

PAGE NO.
24



Pictorial Index



PLATE NO. : 13
COVER MAGNETO

PAGE NO.
26

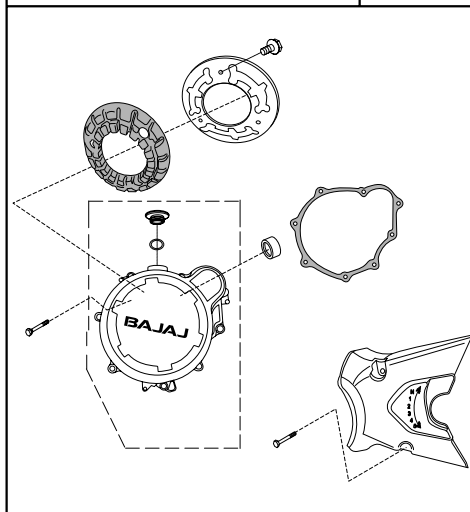


PLATE NO. : 14
CLUTCH ASSEMBLY

PAGE NO.
28

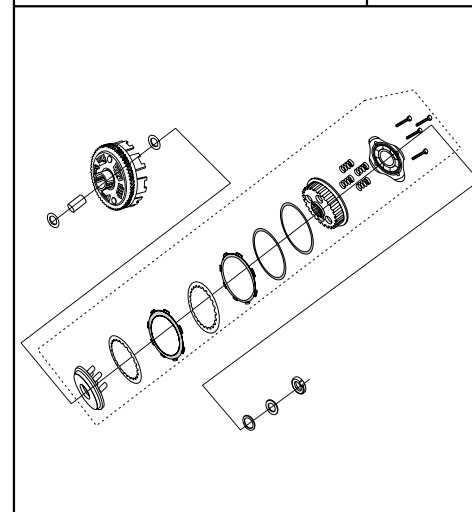


PLATE NO. : 15
KICK STARTER MECHANISM

PAGE NO.
30

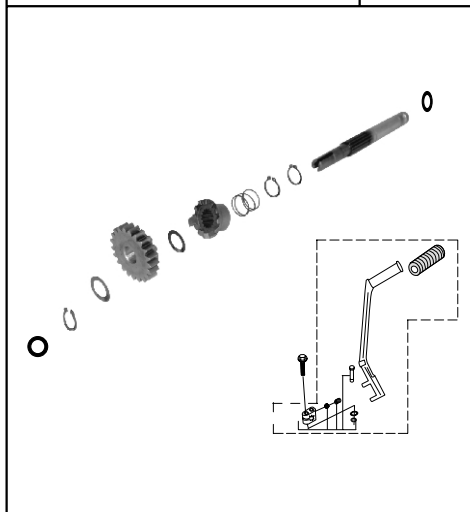
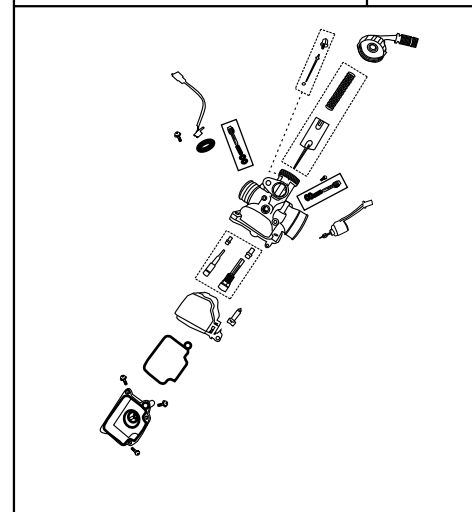


PLATE NO. : 16
CARBURETOR

PAGE NO.
32



Pictorial Index



PLATE NO. : 17
AIR CLEANER COMPLETE

PAGE NO.
34

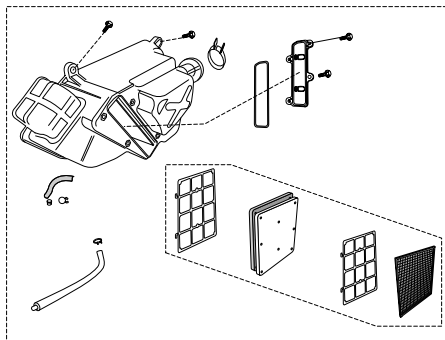


PLATE NO. : 18
SILENCER ASSLY

PAGE NO.
36

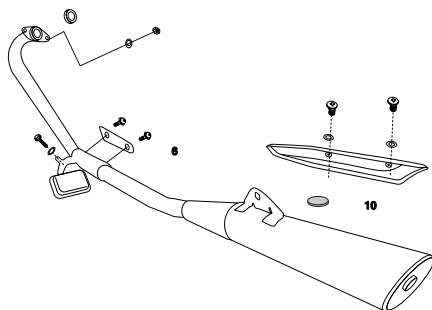


PLATE NO. : 19
OIL PUMP

PAGE NO.
38

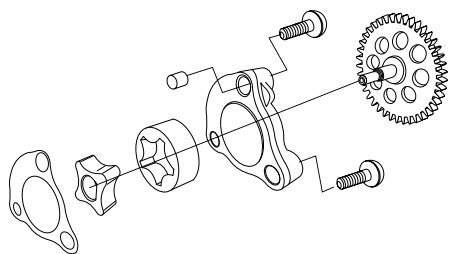
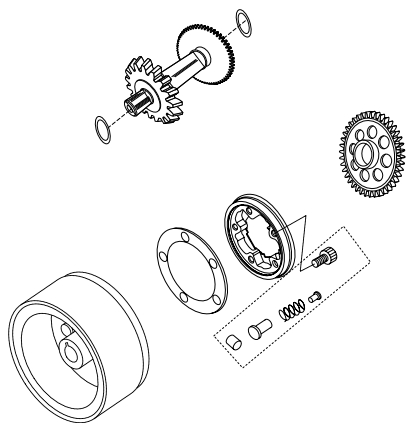


PLATE NO. : 20
STARTER ASSLY (FOR ES)

PAGE NO.
40



Pictorial Index



PLATE NO. : 21
MAGNETO / C.D.I. / H.T. COIL

PAGE NO.
42

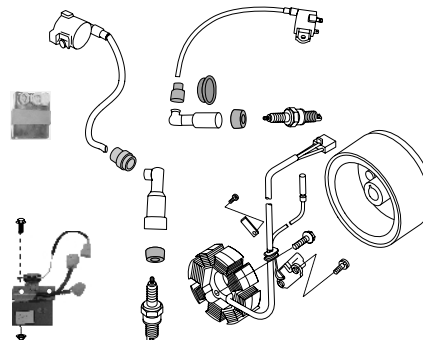


PLATE NO. : 22
STARTER MOTOR

PAGE NO.
44

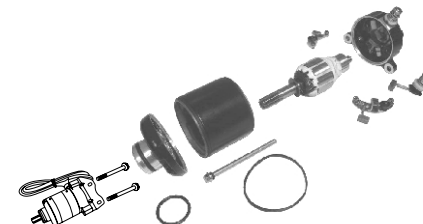


PLATE NO. : 19
OIL PUMP

PAGE NO.
38

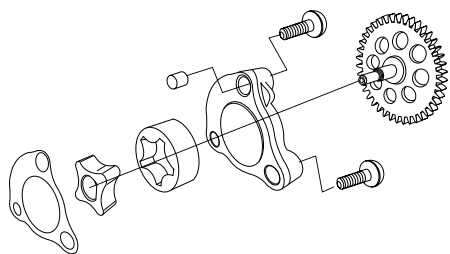


PLATE NO. : 23
SEAT ASSLY

PAGE NO.
46

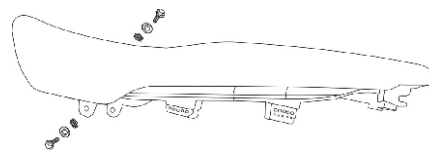
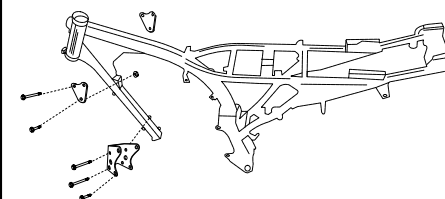


PLATE NO. : 24
ENGINE MOUNTINGS

PAGE NO.
48



Pictorial Index



PLATE NO. : 25 FRAME & FRAME FITTINGS	PAGE NO. 50

PLATE NO. : 26 SWING ARM / RR. SHOCK ABSORBER	PAGE NO. 52

PLATE NO. : 27 STAY MAIN STEP	PAGE NO. 54

PLATE NO. : 28 PILLION FOOT REST / HOLDER	PAGE NO. 56

Pictorial Index



PLATE NO. : 29 FENDER - FRONT & REAR	PAGE NO. 58

PLATE NO. : 30 STAND ASSLY	PAGE NO. 60

PLATE NO. : 31 TYRE / TUBE / RIM	PAGE NO. 62

PLATE NO. : 32 FRONT HUB (FOR DRUM BRAKE)	PAGE NO. 64

Pictorial Index



PLATE NO. : 33
FRONT HUB (FOR DISC BRAKE)

PAGE NO.
66

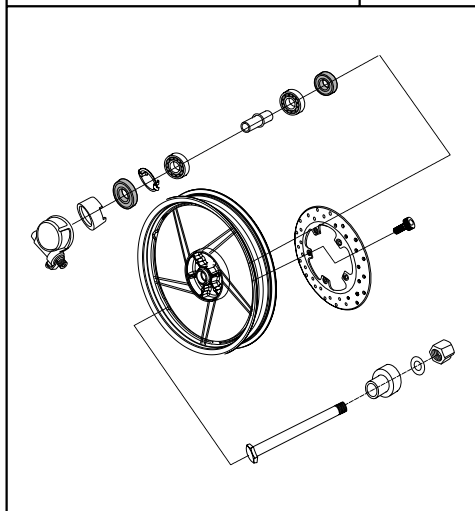


PLATE NO. : 34
FRONT MASTER CYLINDER

PAGE NO.
68

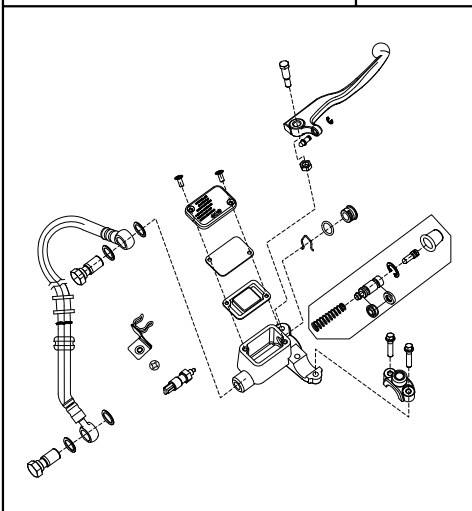


PLATE NO. : 35
FRONT DISC BRAKE

PAGE NO.
70

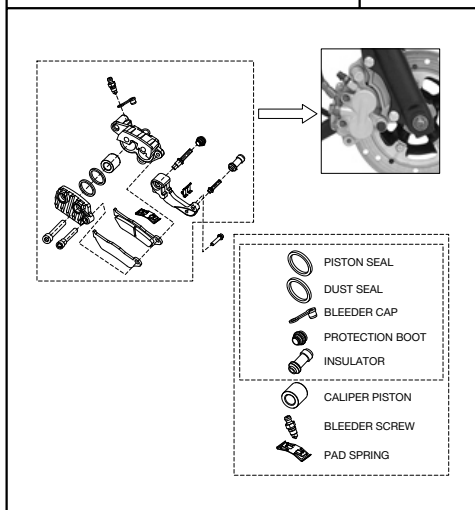
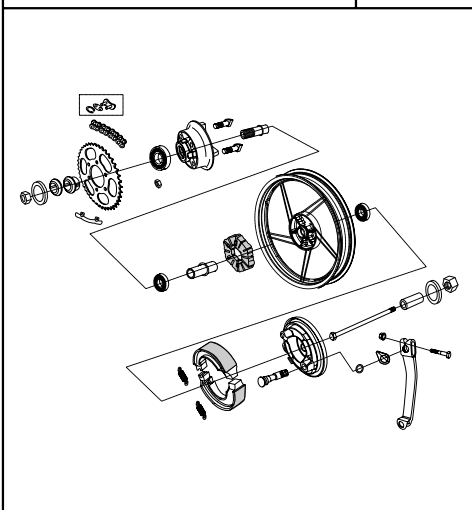


PLATE NO. : 36
REAR HUB

PAGE NO.
72, 74



Pictorial Index



PLATE NO. : 37
REAR BRAKE PEDAL

PAGE NO.
76

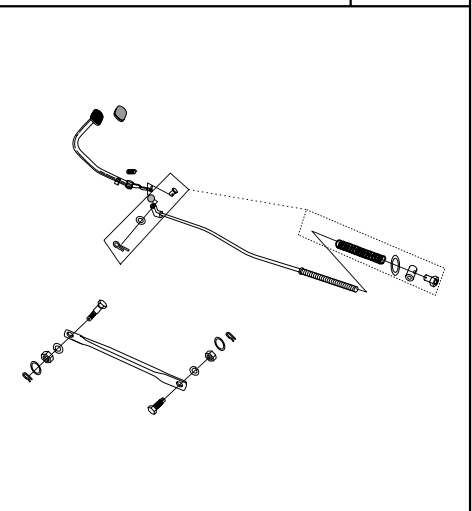


PLATE NO. : 38
HANDLE BAR

PAGE NO.
78, 80

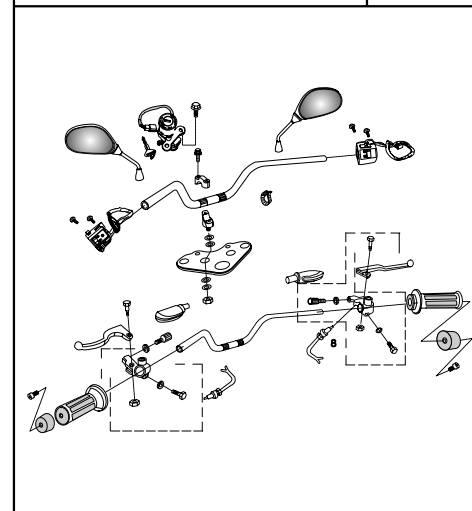


PLATE NO. : 39
FRONT FORK

PAGE NO.
82

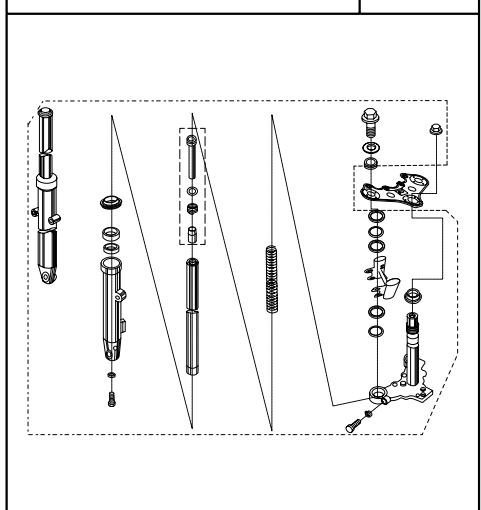
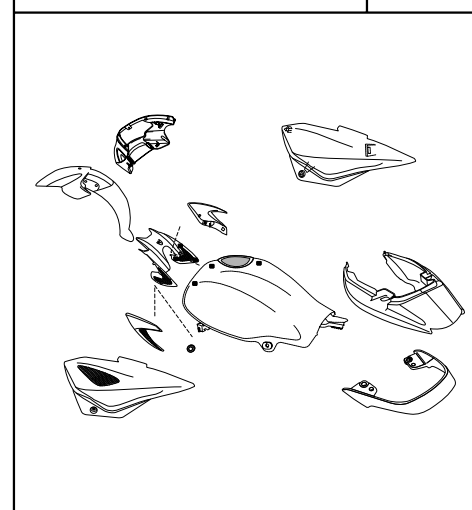


PLATE NO. : 40
PAINTED PARTS & DECALS

PAGE NO.
84, 86, 88



Pictorial Index



PLATE NO. :41 PETROL TANK SPOILER	PAGE NO. 90

PLATE NO. : 42 PETROL TANK, CAP TANK & GAUGE FUEL	PAGE NO. 92

PLATE NO. : 43 FITTINGS - PETROL TANK, SIDE COVERS & COVER SEAT	PAGE NO. 94

PLATE NO. : 44 METER ASSEMBLY	PAGE NO. 96

Pictorial Index



PLATE NO. : 45 CONTROL CABLES	PAGE NO. 98

PLATE NO. : 46 CHAIN CASE	PAGE NO. 100

PLATE NO. : 47 HEAD LAMP & FAIRING	PAGE NO. 102

PLATE NO. : 48 INDICATOR LIGHT ASSEMBLY	PAGE NO. 104

Pictorial Index



PLATE NO. : 49
TAIL LAMP ASSLY / FRONT NO. PLATE

PAGE NO.
106

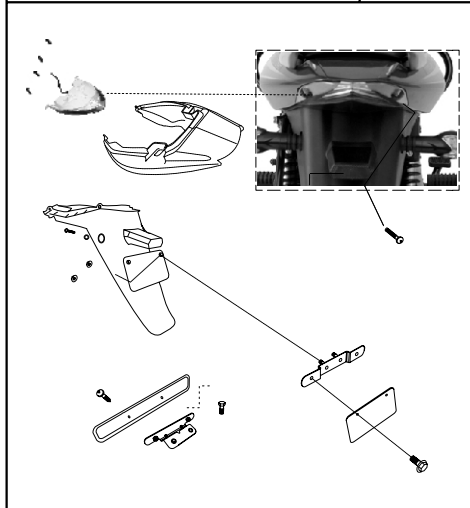


PLATE NO. : 50
ELECTRICAL EQUIPMENTS

PAGE NO.
108

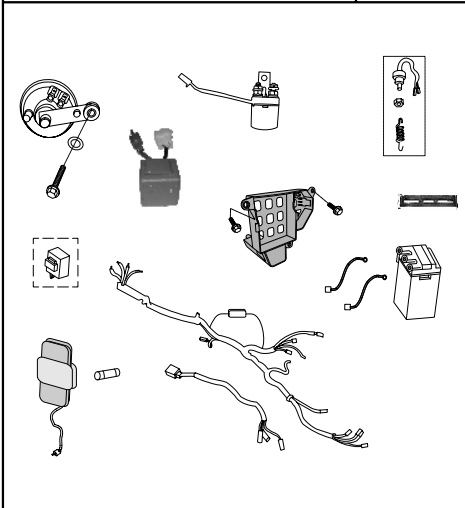


PLATE NO. : 51
TOOL KIT

PAGE NO.
110

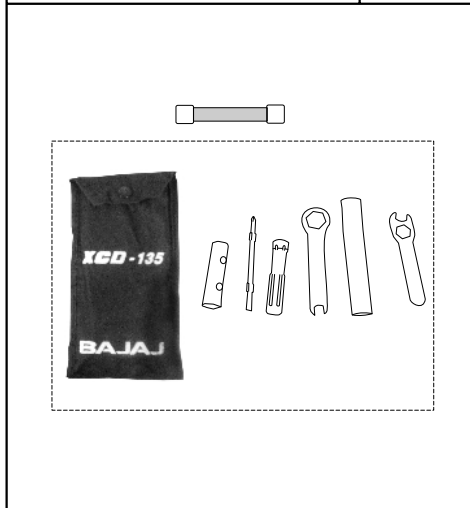
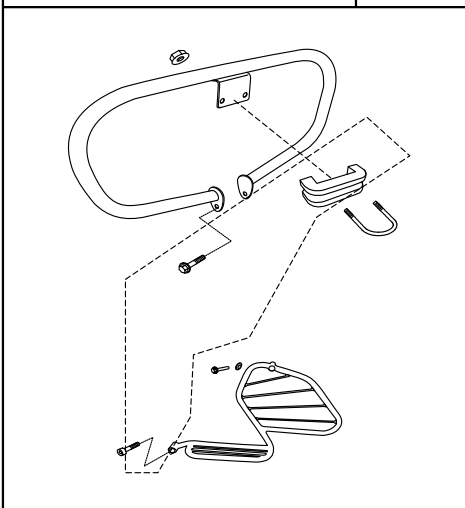
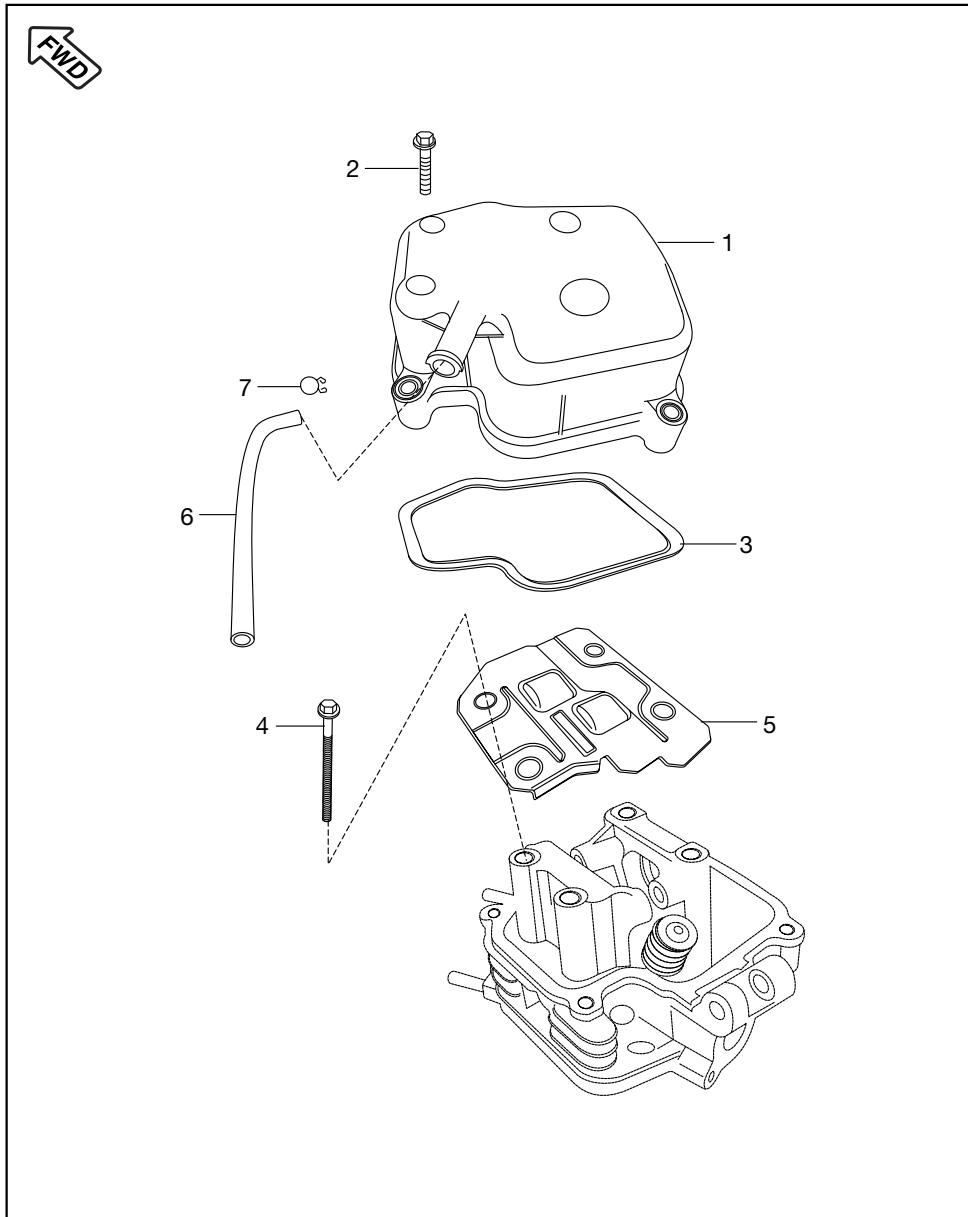


PLATE NO. : 52
ACCESSORIES / GRAB HANDLE

PAGE NO.
112

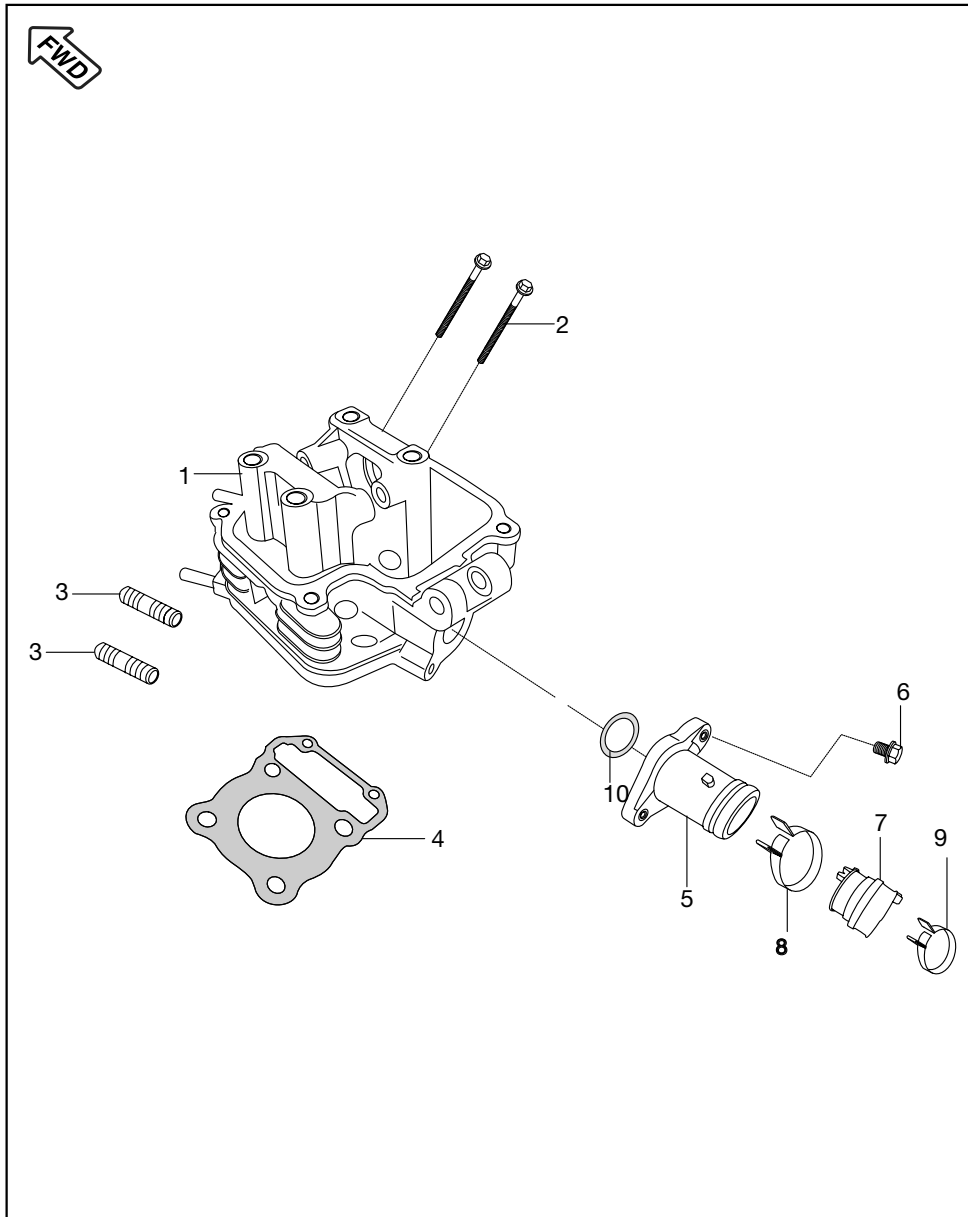


Cover Cylinder Head



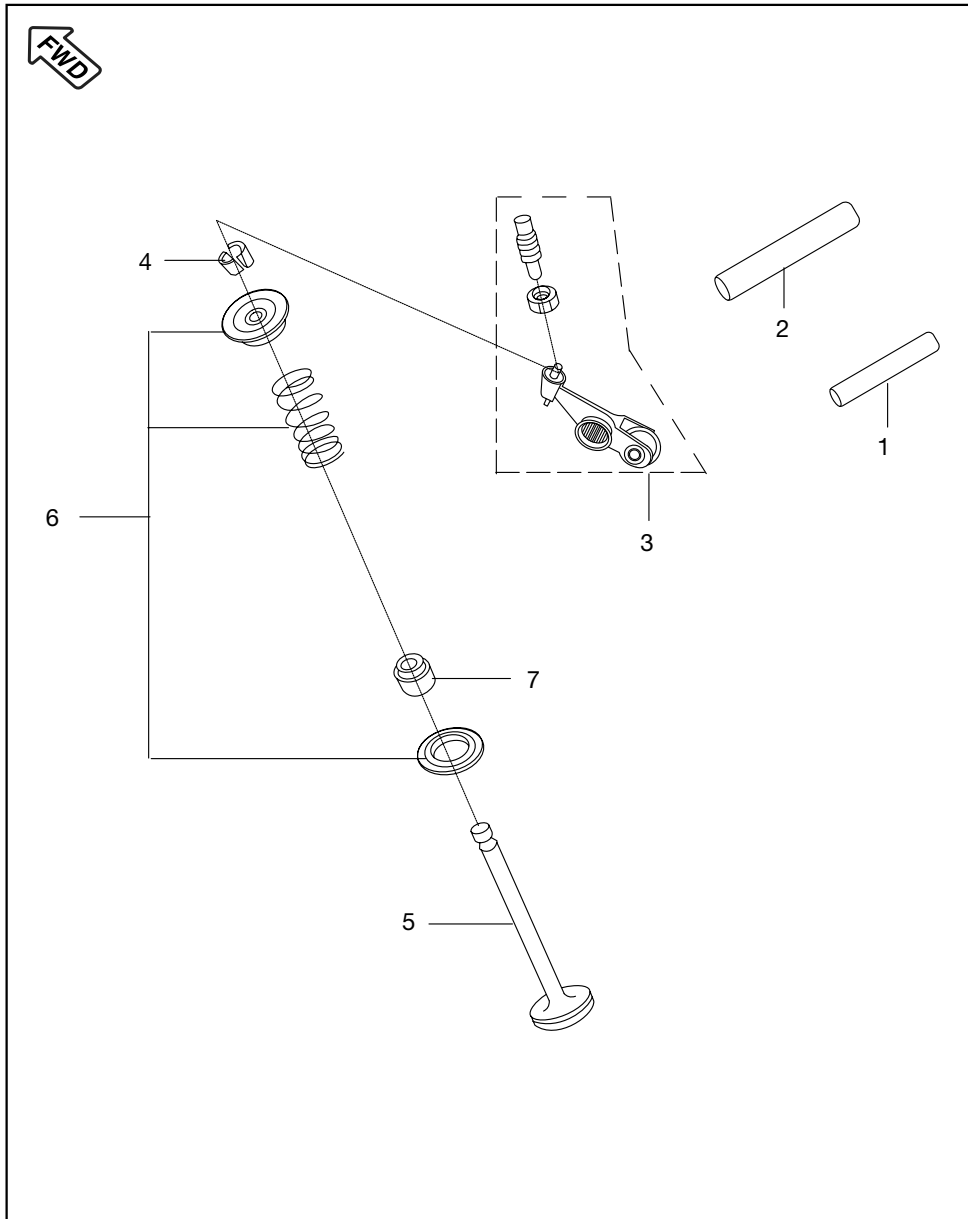
No.	Part No.	Description	ES Disc	ES Drum	KS Drum	Remarks
1	JA 5110 09	Cover Cylinder Head	1	1	1	
2	59 0400 38	Bolt Flange	4	4	4	
3	JA 5110 12	Gasket Head Cover	1	1	1	
4	JA 5110 08	Bolt Head Mounting	4	4	4	
5	JA 5110 07	Plate Breather	1	1	1	
6	JA 5110 11	Hose C'case Breather	1	1	1	
7	JA 5110 29	Clamp	1	1	1	

Cylinder Head



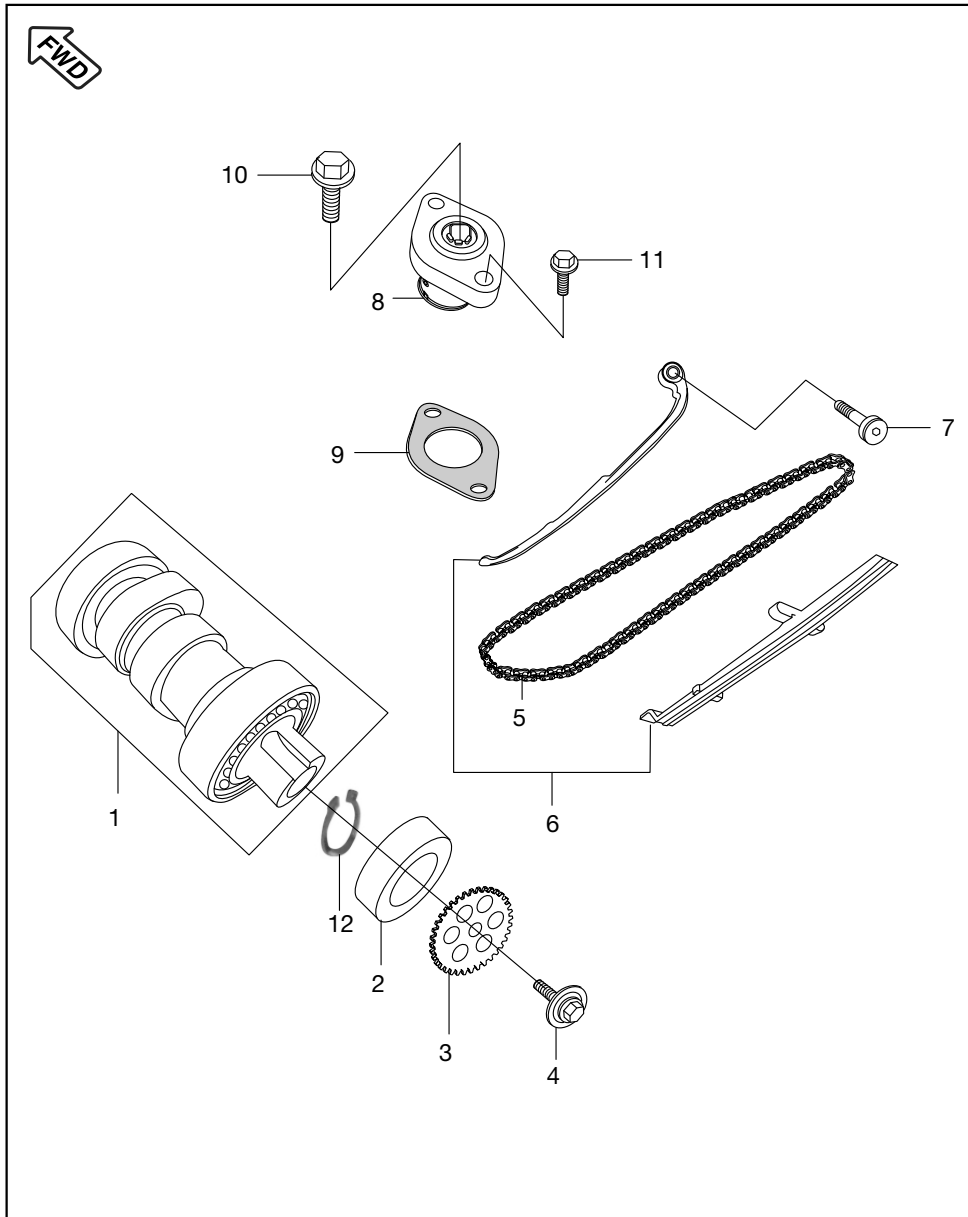
No.	Part No.	Description	ES Disc	ES Drum	KS Drum	Remarks
1	JW 5110 05	Head Cylinder Comp. with Stud	1	1	1	
2	JA 5110 08	Bolt Head Mounting	2	2	2	
3	JA 5110 28	Stud	2	2	2	
4	JA 5110 06	Gasket Cylinder Head	1	1	1	
5	JA 5814 05	Intake Manifold	1	1	1	
6	JA 5814 06	Bolt Flange	2	2	2	
7	JA 5812 08	Sleeve(Carburettor)	1	1	1	
8	JA 5812 18	Clamp (35mm)	1	1	1	
9	JA 5814 07	Clamp (39mm)	1	1	1	
10	39 1283 21	'O' Ring (Intake Pipe)	1	1	1	

Valve

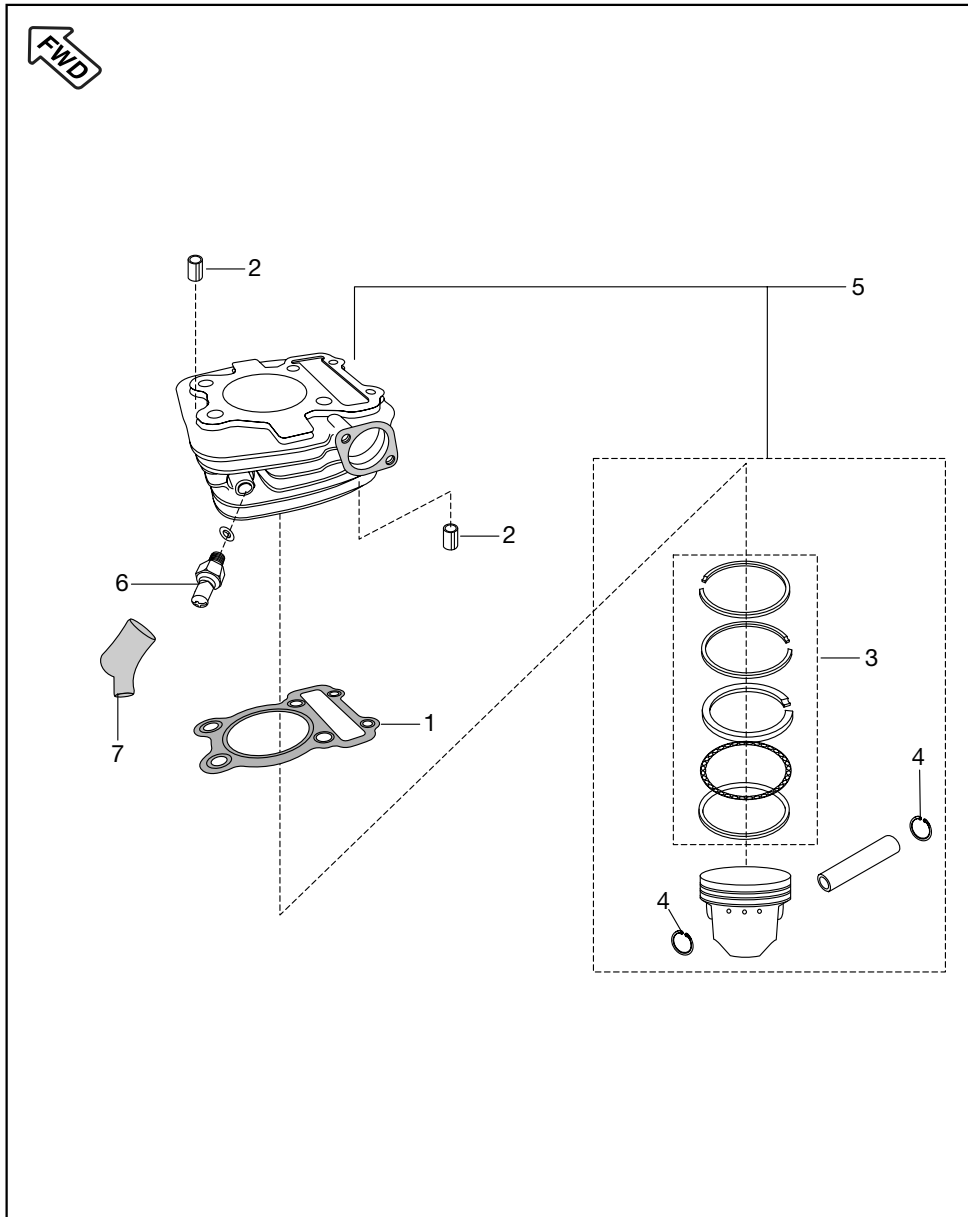


No.	Part No.	Description	ES Disc	ES Drum	KS Drum	Remarks
1	JA 5112 10	Shaft Rocker Arm Intake	1	1	1	(Length 36mm)
2	JA 5112 11	Shaft Rocker Arm Exhaust	1	1	1	(Length 48mm)
3	JA 5112 04	Rocker Arm with Roller	2	2	2	
4	DG 1010 29	Cotter Valve (Collet)	4	4	4	
5	36 JA00 02	Valve Kit	1	1	1	Refer Page No. 113
6	36 JA00 03	Valve Repair Kit	1	1	1	Refer Page No.113
7	39 2017 19	Seal Valve Stem	2	2	2	

Camshaft / Tensioner



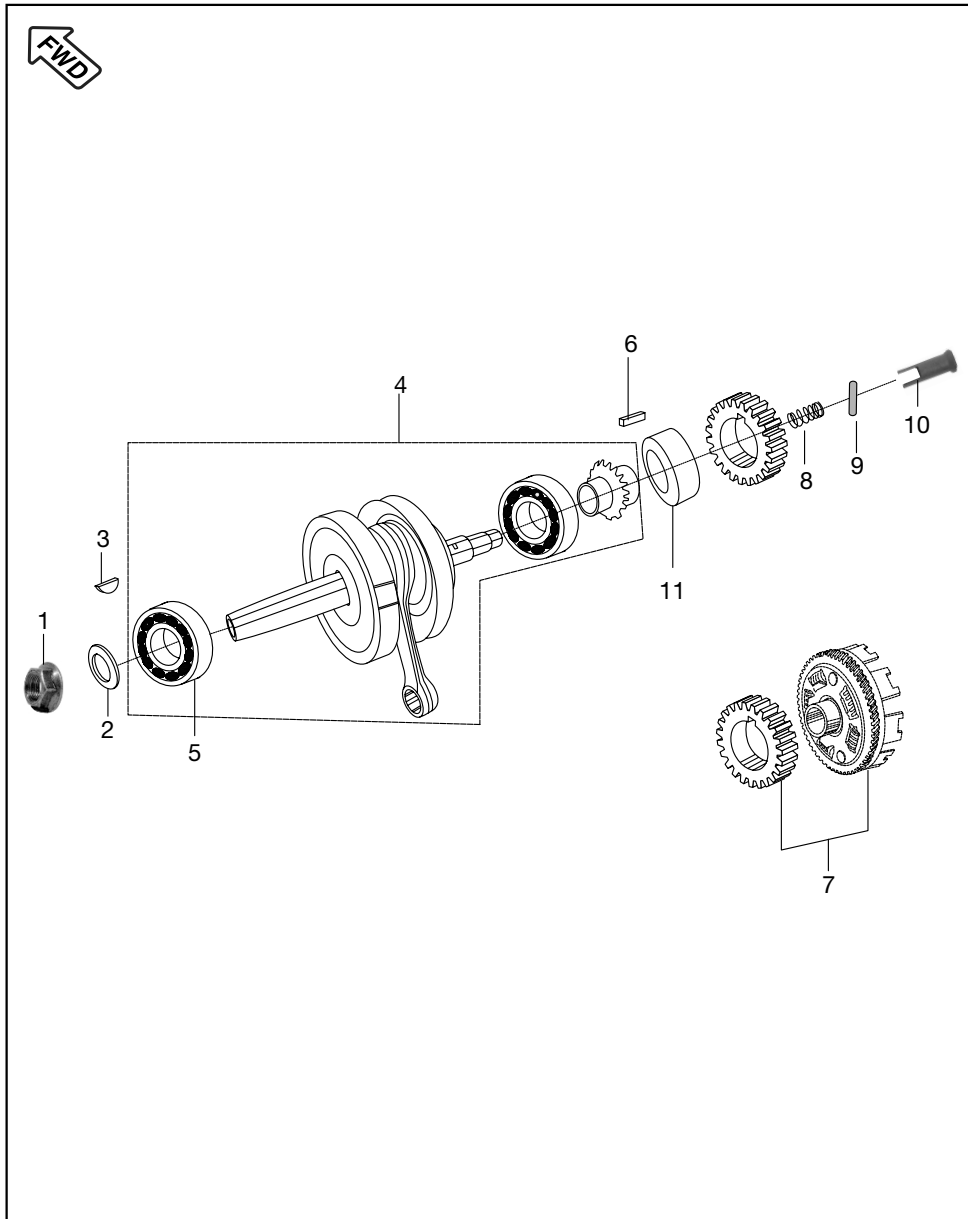
No.	Part No.	Description	ES Disc	ES Drum	KS Drum	Remarks
1	JW 5112 01	Camshaft Complete	1	1	1	
2	JA 5112 16	Spacer Cam Sprocket	1	1	1	
3	JA 5112 17	Sprocket Cam Shaft	1	1	1	
4	JA 5112 18	Bolt Integral Collar	1	1	1	
5	JA 5310 11	Cam Chain (92 Link)	1	1	1	
6	36 JW00 09	Guide Chain Kit	1	1	1	Refer Page No. 113
7	DH 1010 11	Bolt Special	1	1	1	
8	JA 5210 17	Adjuster Assly Chain	1	1	1	
9	CS 1011 28	Gasket	1	1	1	
10	JA 5210 18	Bolt	1	1	1	
11	JA 5210 19	Flange Bolt	2	2	2	Adjuster Assly Chain Mounting
12	39 0594 17	Circlip for Camshaft	1	1	1	



Cylinder and Piston

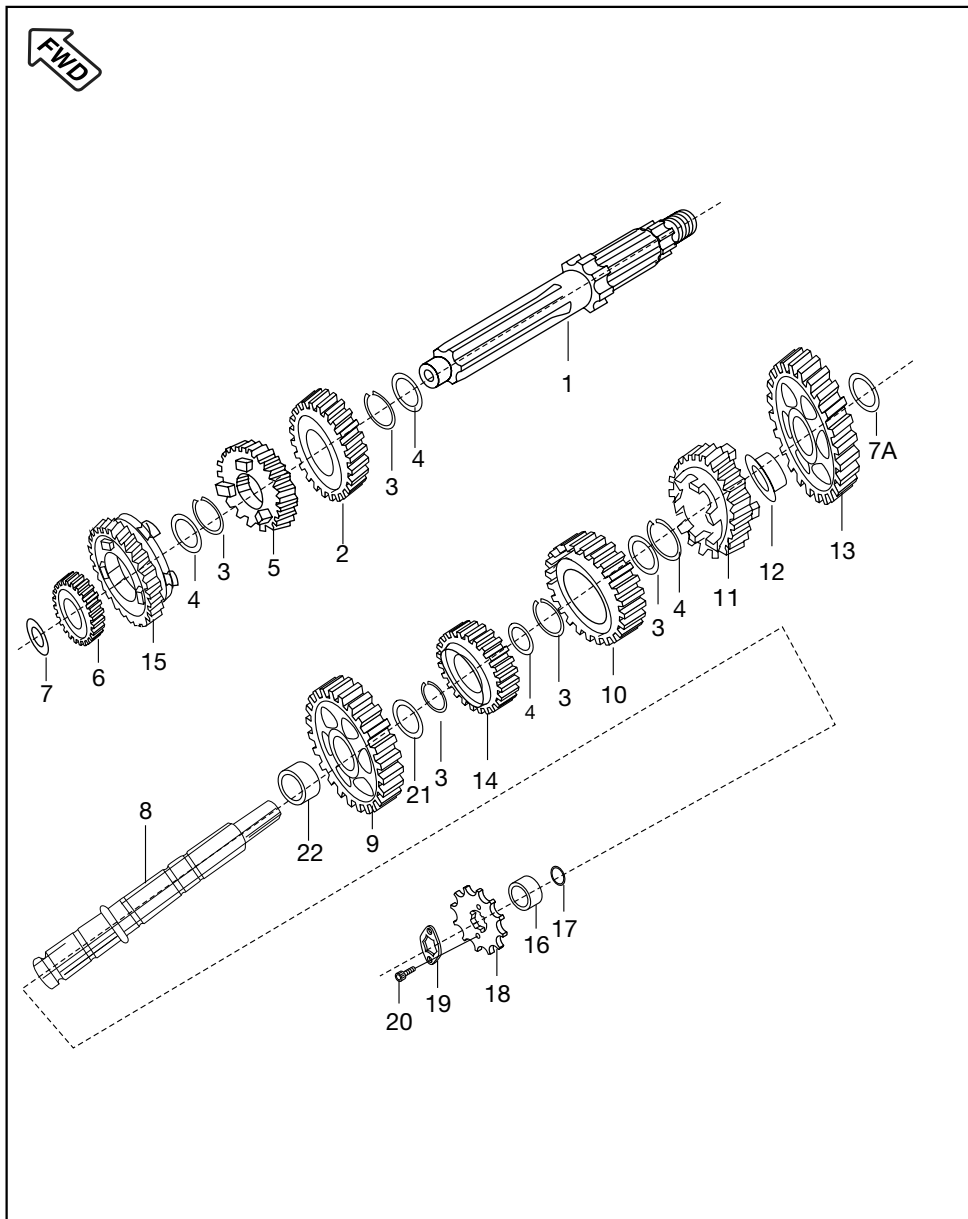
No.	Part No.	Description	ES Disc	ES Drum	KS Drum	Remarks
1	JA 5210 01	Gasket Cylinder	1	1	1	
2	39 1000 06	Dowel Pin	4	4	4	
3	36 JW00 10	Piston Ring Set	1	1	1	Refer Page No.114
4	DP 1011 65	Wire Circlip	2	2	2	
5	JW 5210 00	Cylinder Block / Piston Assly.	1	1	1	
6	JW 3514 00	Thermal Sensor	1	1	1	
7	JB 4022 02	Grommet for Thermal Sensor	1	1	1	

Crankshaft



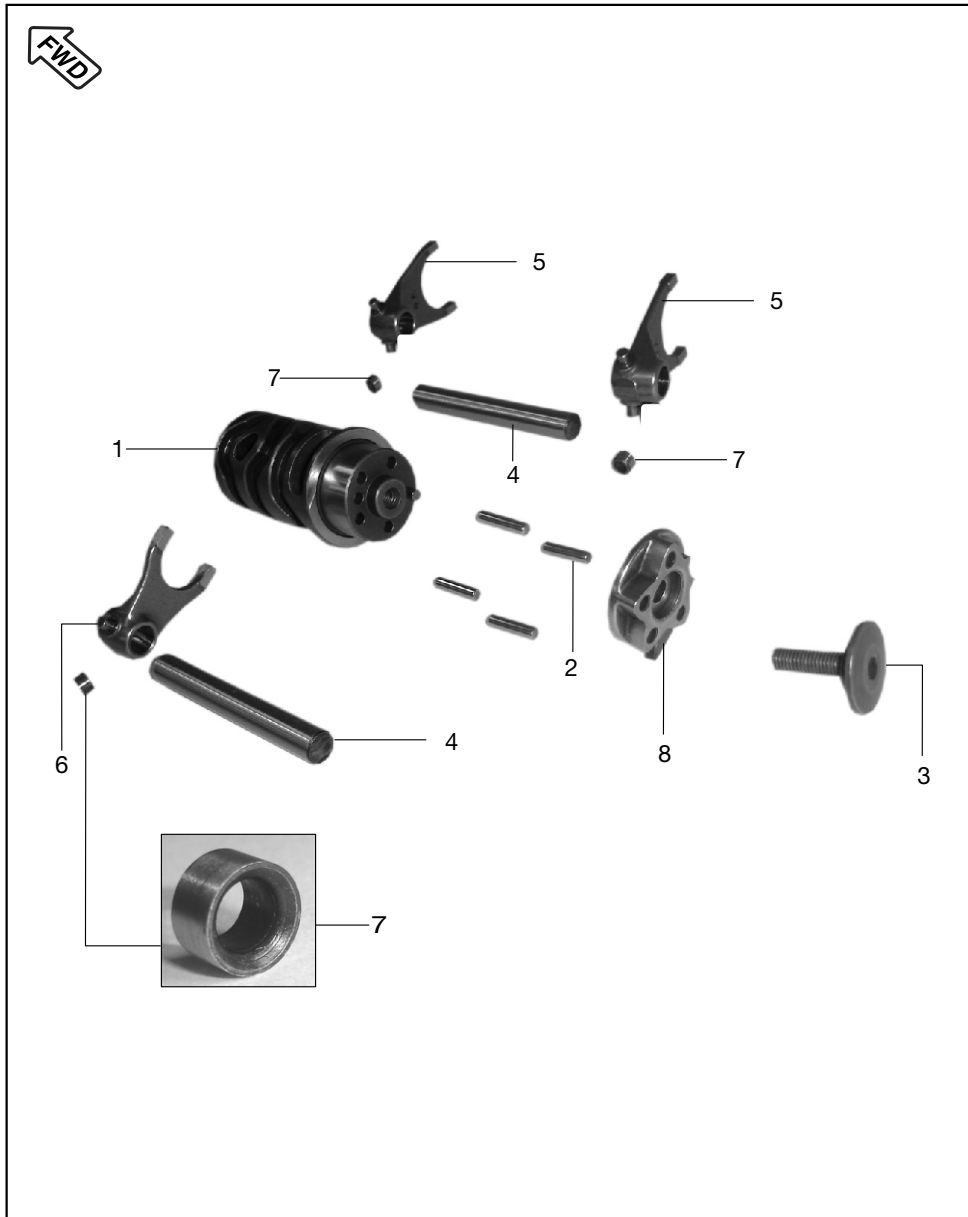
No.	Part No.	Description	ES Disc	ES Drum	KS Drum	Remarks
1	59 1500 14	Flange Nut	1	1	1	
2	59 1100 08	Belleville Washer	1	1	1	
3	31 1011 73	Woodruff Key	1	1	1	
4	JW 5310 00	Crank Shaft Assly	1	1	1	
5	59 2000 01	Ball Bearing	1	1	1	
6	DS 1011 54	Parallel Key	1	1	1	
7	36 JA00 10	Set Primary Drive / Driven	1	1	1	Refer Page No.114
8	JA 531012	Spring	1	1	1	
9	JA 5310 15	Parallel Pin	1	1	1	
10	JA 5310 14	Plunger Oil	1	1	1	
11	JD 5310 04	Spacer Crank shaft Clutch Side	1	1	1	

Transmission



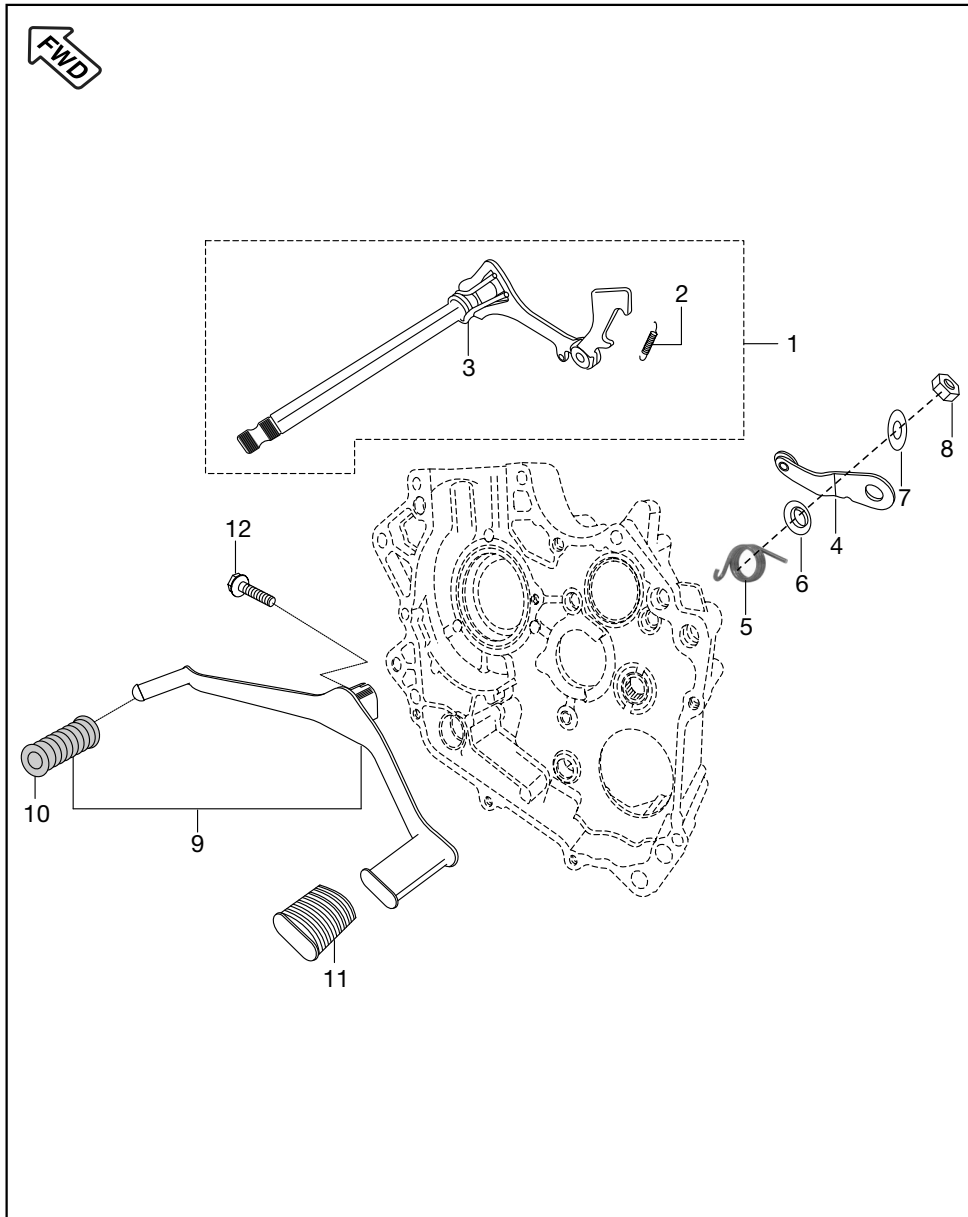
No.	Part No.	Description	ES Disc	ES Drum	KS Drum	Remarks
1	JD 5510 00	Shaft Input Transmission	1	1	1	
2	JD 5512 07	Gear 4th Drive	1	1	1	
3	39 0987 17	Ring Snap	5	5	5	
4	JA 5510 02	Spline Washer	5	5	5	
5	JD 5512 06	Gear 3rd Drive	1	1	1	
6	JD 5512 01	Gear 2nd Drive	1	1	1	
7	JA 5510 04	Washer Thrust 2nd Drive	1	1	1	
7A	JA 5510 08	Washer Thrust 1st Driven	1	1	1	
8	JD 5510 02	Shaft Output Transmission	1	1	1	
9	JD 5512 02	Gear 2nd Driven	1	1	1	
10	JD 5512 04	Gear 3rd Driven	1	1	1	
11	JD 5512 00	Gear 4th Driven	1	1	1	
12	JA 5510 07	Bush 1st Driven	1	1	1	
13	JA 5512 06	Gear 1st Driven	1	1	1	
14	JD 5512 03	Gear 5th Driven	1	1	1	
15	JD 5512 05	Gear 5th Drive	1	1	1	
16	JA 5510 09	Collar Sprocket Drive	1	1	1	
17	59 2100 24	'O' Ring Collar Sprocket	1	1	1	
18	JA 5510 10	Sprocket Drive (Allen Bolt)	1	1	1	
19	DU 1012 13	Plate Lock Sprocket	1	1	1	
20	39 1981 04	Socket Head Bolt	2	2	2	
21	JD 5512 09	Spline Washer	1	1	1	
22	JD 5512 08	Bush 2nd Driven	1	1	1	

Change Drum / Shift Fork



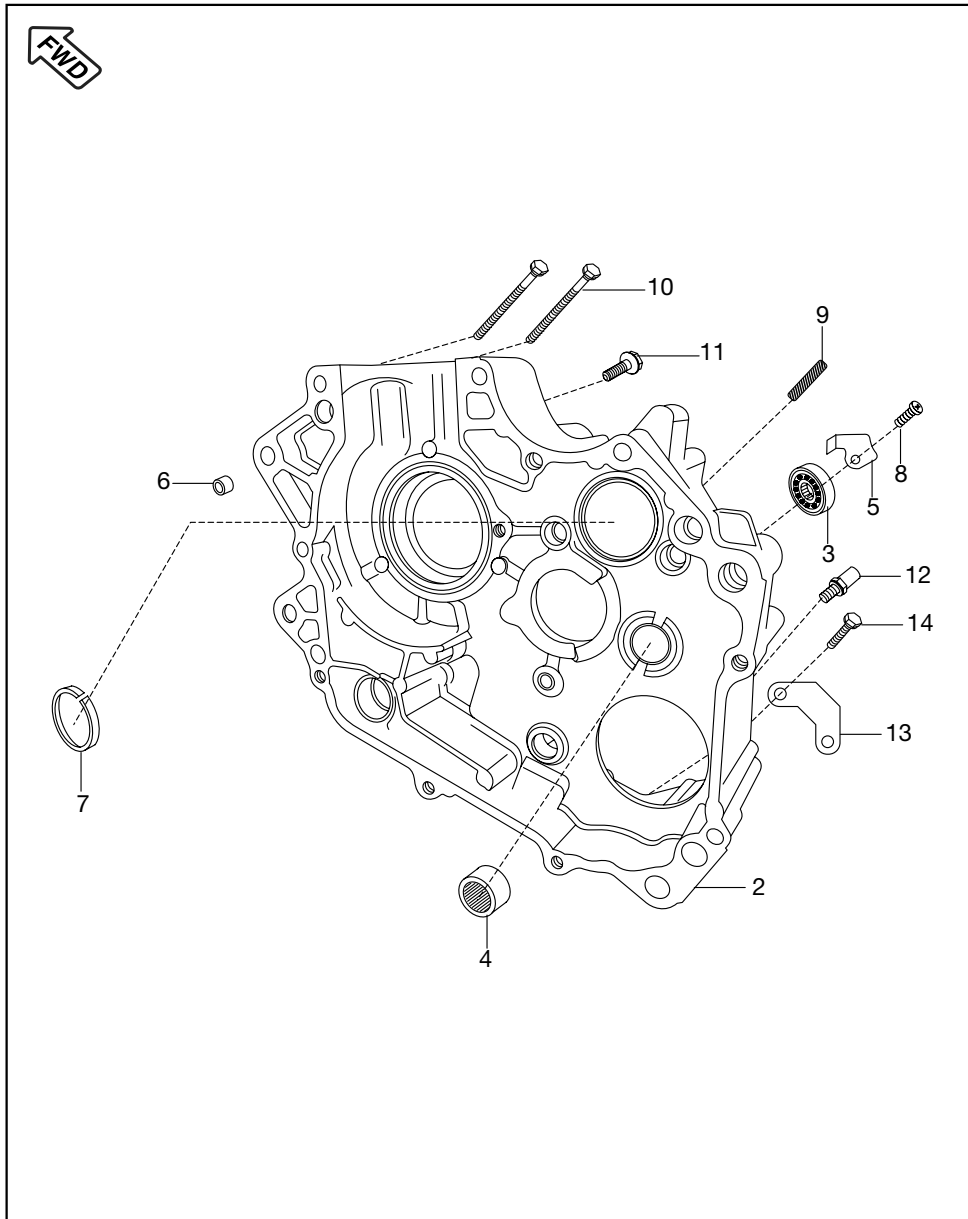
No.	Part No.	Description	ES Disc	ES Drum	KS Drum	Remarks
1	JW 5610 00	Drum Complete Gear Shift	1	1	1	
2	39 0992 06	Dowel (Pin Drum Change)	4	4	4	
3	JD 5610 11	Special Bolt	1	1	1	
4	JD 5610 06	Shaft Gear Shift Fork	2	2	2	
5	JD 5610 04	Fork Gear Shift Output	2	2	2	
6	JD 5610 05	Fork Gear Shift Input	1	1	1	
7	DK 1011 35	Bush (Fork Shift)	3	3	3	
8	JD 5610 02	Cam Drum Change	1	1	1	

Gear Change Mechanism



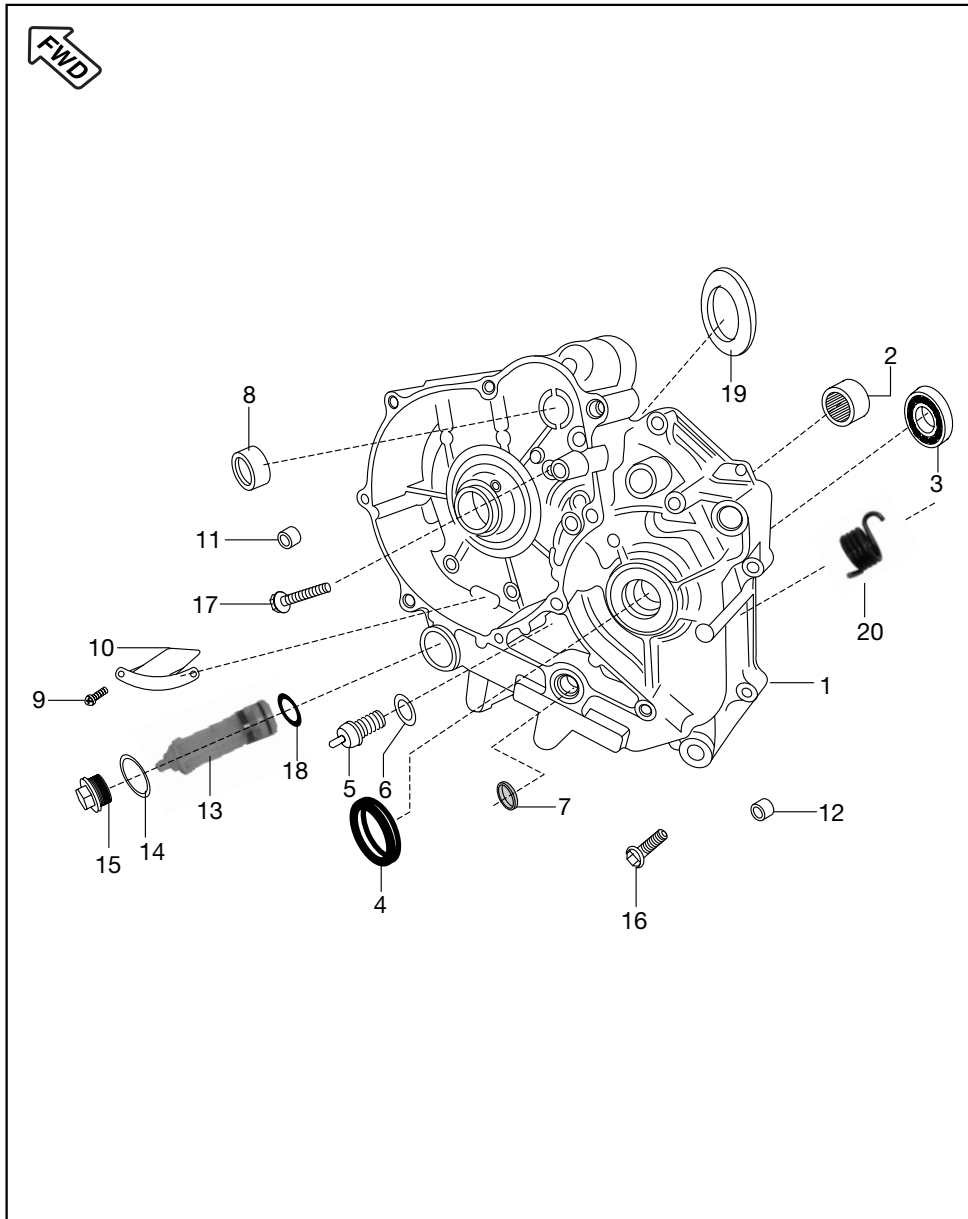
No.	Part No.	Description	ES Disc	ES Drum	KS Drum	Remarks
1	JD 5612 00	Lever Complete Gear Shift	1	1	1	
	JW 5612 05	Lever Complete Gear Shift	1	1	1	From JWMBDE-57197
2	JA 5612 05	Extension Spring	1	1	1	
	JW 5612 06	Extension Spring	1	1	1	From JWMBDE-57197
3	JA 5612 06	Spring Gear Shift Return	1	1	1	
	JW 5612 08	Spring Gear Shift Return	1	1	1	From JWMBDE-57197
4	JD 5612 03	Inhibitor Complete Gear Shift	1	1	1	
5	JD 5612 04	Spring Inhibitor	1	1	1	
6	JA 5612 09	Step Washer (Collar)	1	1	1	
7	39 2704 11	Plain Washer	1	1	1	
8	39 0817 15	Nut		1	1	1
9	JA 5614 00	Lever Complete Gear Shifter (Gear Pedal)	1	1	1	With Rubber Damper
10	DH 1015 09	Damper	1	1	1	
11	DG 1013 39	Damper	1	1	1	
12	JA 5612 11	Flange Bolt	1	1	1	

Crankcase RH



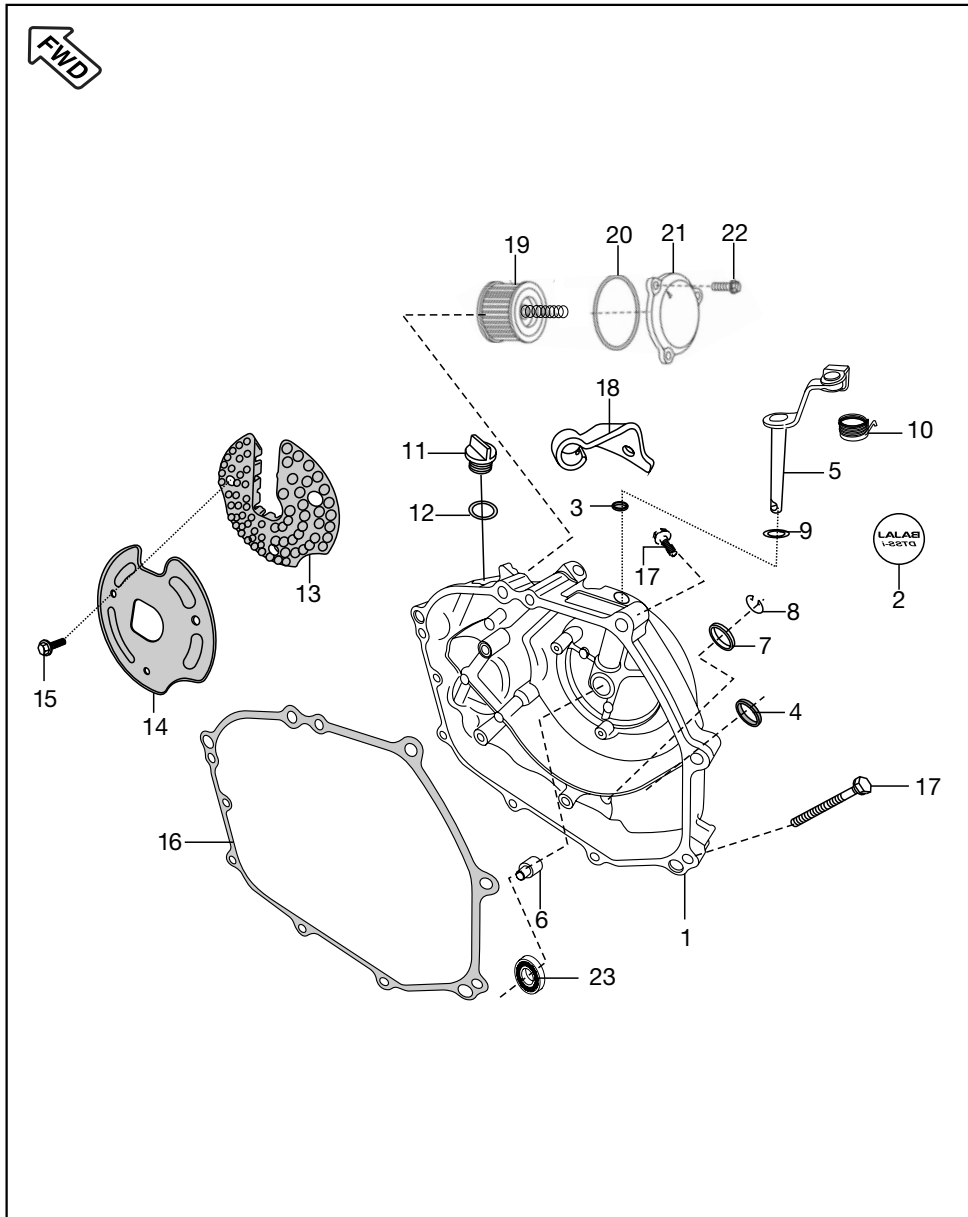
No.	Part No.	Description	ES Disc	ES Drum	KS Drum	Remarks
1	JW 5010 00	Engine Assly	1	1	--	N.I.
	JW 5010 04	Engine Assly	--	-	1	N.I.
2	JW 5410 07	Crankcase Clutch Side	1	1	1	NRB+Bush+Stud
3	59 2000 36	Bearing Ball	1	1	1	
4	JA 5410 11	Needle Roller Bearing	1	1	1	
5	JA 5410 10	Stopper Plate	1	1	1	
6	39 1000 06	Dowel Pin	2	2	2	
7	DU 1010 85	Bushing	1	1	1	
8	39 0746 01	Screw	1	1	1	
9	JA 5410 15	Stud Inhibitor Mounting	1	1	1	
10	JA 5412 35	Bolt	2	2	2	Crankcase Mtg.
11	59 0400 38	Bolt Flange	1	1	1	Crankcase Mtg.
12	JA 5410 14	Bolt Shift Change	1	1	1	
13	JA 5410 12	Guide Kick	1	1	1	
14	39 1964 04	Hexagon Bolt	2	2	2	

Crankcase LH



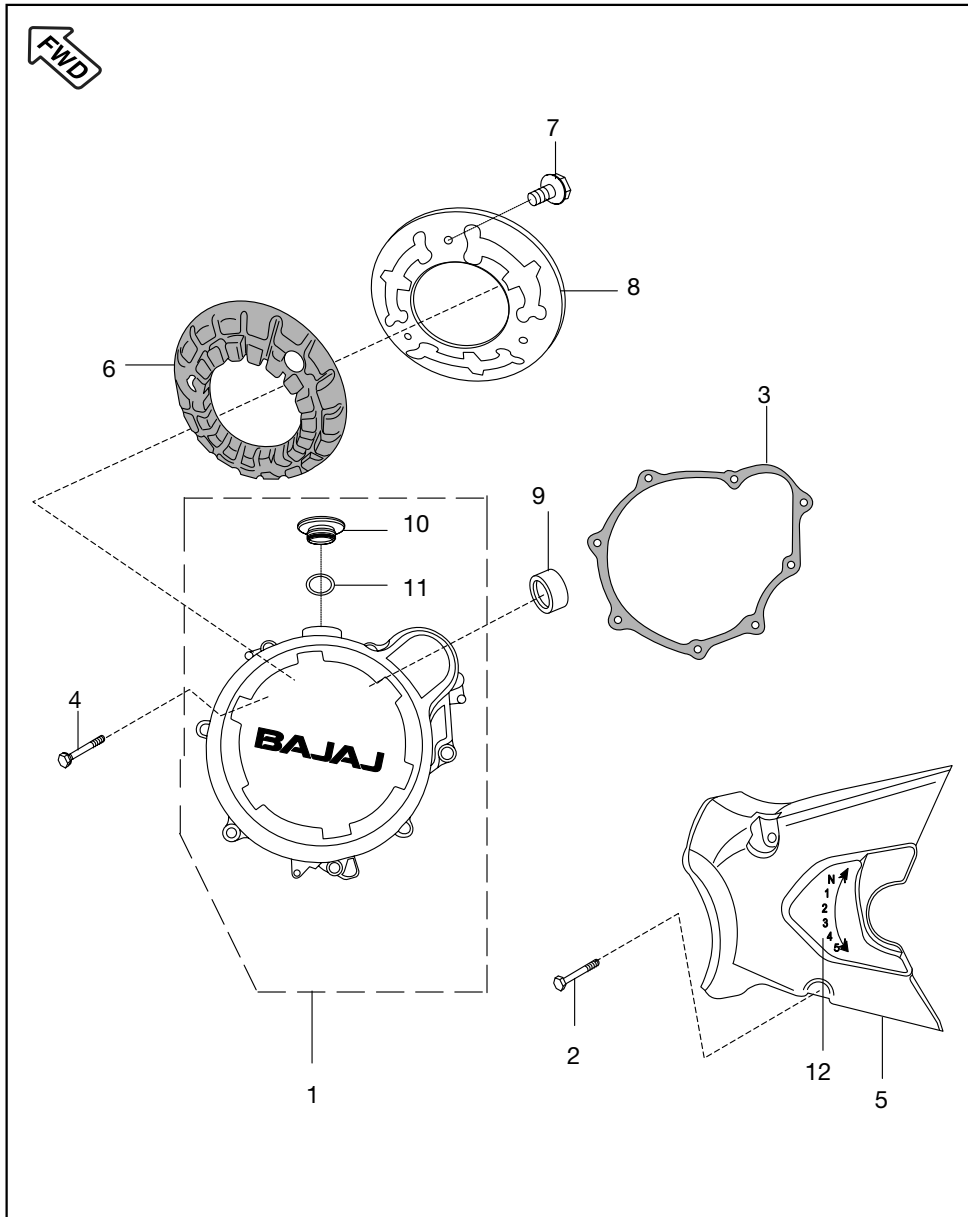
No.	Part No.	Description	ES Disc	ES Drum	KS Drum	Remarks
1	JW 5410 06	Crankcase Mag. Side	1	1	--	} NRB + Bush+ Orifice
	JW 5410 10	Crankcase Mag. Side	--	---	1	
2	39 2562 20	Needle Roller Bearing	1	1	1	
3	59 2000 36	Ball Bearing	1	1	1	
4	39 1715 19	Seal Oil	1	1	1	Output Shaft
5	31 2010 81	Neutral Switch	1	1	1	
6	DH 1012 64	Gasket Neutral Switch	1	1	1	
7	39 2190 19	Oil Seal	1	1	1	Shifter Shaft
8	JA 5410 05	Bush Starter Clutch	1	1	1	Starter Clutch
9	39 0747 01	Pan Head Screw	2	2	2	
10	JA 5410 34	Stopper Gear Starter Clutch	1	1	1	
11	39 1000 06	Hollow Dowel Pin	2	2	2	
12	39 0999 06	Hollow Dowel Pin	2	2	2	
13	JA 5410 19	Mesh Filter Oil strainer	1	1	1	
14	59 2100 23	'O' Ring Cap Strainer	1	1	1	
15	JA 5410 21	Cap Strainer	1	1	1	
16	59 0400 38	Bolt Flange	6	6	6	Crankcase Mtg.
17	39 1759 04	Bolt	1	1	1	Crankcase Mtg.
18	JA 5410 20	'O' Ring Mesh Filter Oil Strainer	1	1	1	
19	JD 5410 00	Damper	1	1	1	
20	DH 1011 25	Spring Kick Start Return	1	1	1	

Clutch Cover



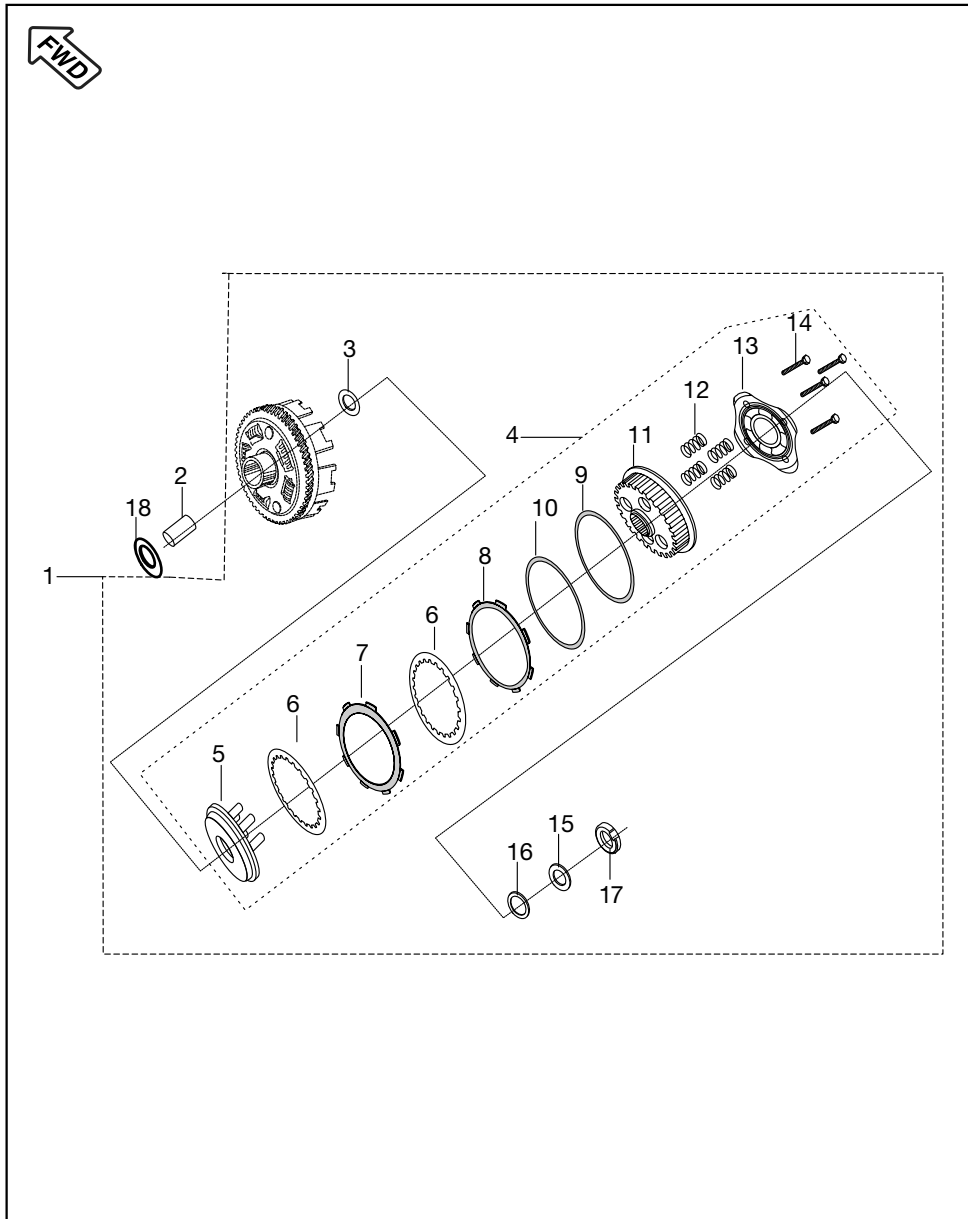
No.	Part No.	Description	ES Disc	ES Drum	KS Drum	Remarks
1	JA 5412 40	Clutch Cover	1	1	1	With Decal + Gauge + Circlip
2	JA 2330 00	Decal Clutch Cover	1	1	1	
3	39 1041 19	Oil Seal Clutch Lever	1	1	1	
4	30 1011 42	Oil Seal (Kick Shaft)	1	1	1	
5	JW 5410 05	Shaft Clutch Release	1	1	1	
6	DP 1012 69	Rod Push	1	1	1	
7	DG 1014 18	Gauge	1	1	1	Oil Level Check
8	DS 1012 15	Wire Circlip	1	1	1	
9	JA 5412 36	Plain Washer	1	1	1	
10	JA 5412 37	Spring Torsion Clutch Lever	1	1	1	
11	JA 5412 11	Cap Oil Filler	1	1	1	
12	JA 5412 25	'O' Ring Cap Oil Filler	1	1	1	
13	JA 5412 15	Damper	1	1	1	
14	JA 5412 16	Plate Damper	1	1	1	
15	39 2208 04	Bolt Flange	3	3	3	
16	JA 5412 12	Gasket Clutch Cover	1	1	1	
17	59 0400 38	Bolt Flange	8	8	8	Clutch Cover to Crankcase Mtg
18	JW 5410 00	Bracket Clutch Cable	1	1	1	
19	DD 1211 81	Oil Filter Element	1	1	1	
20	39 1671 21	'O' Ring	1	1	1	
21	JA 5412 19	Cap Filter	1	1	1	
22	JA 5210 19	Bolt Flange	3	3	3	
23	39 1001 20	Bearing Push Rod	1	1	1	

Cover Magneto



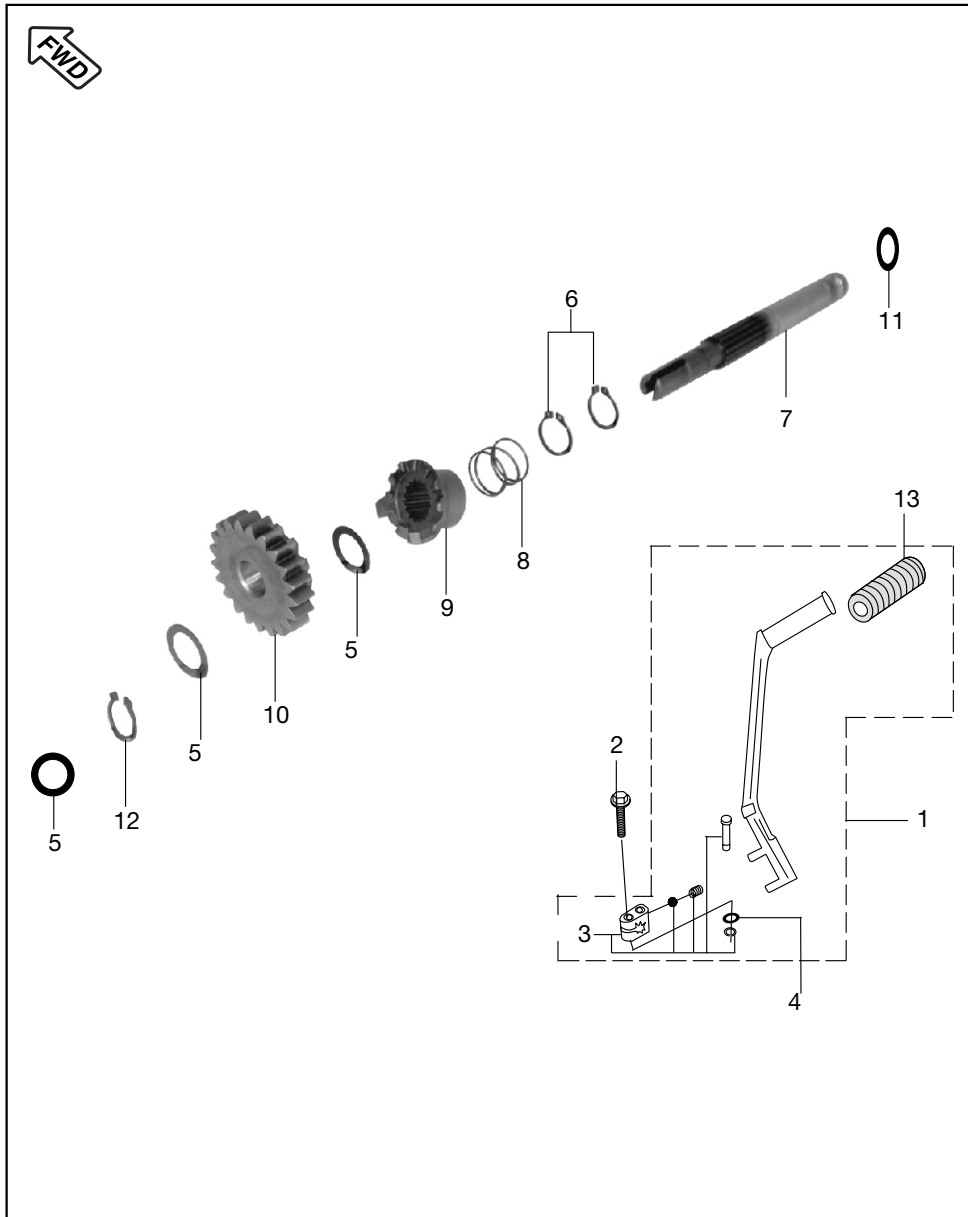
No.	Part No.	Description	ES Disc	ES Drum	KS Drum	Remarks
1	JA 5412 41	Cover Magneto	1	1	-	
	JP 5412 05	Cover Magneto	---	--	1	For KS
2	59 0400 38	Bolt	2	2	2	
3	JA 5412 05	Gasket Magneto Cover	1	1	--	
	JP 5412 08	Gasket Magneto Cover	---	-	1	For KS
4	JA 5410 44	Bolt Flange	8	8	8	
5	JW 5412 02	Cover LH Rear Complete	1	1	-	
	JW 5412 00	Cover LH Rear Complete	-	-	1	
6	JA 5412 20	Damper Cover LH	1	1	1	
7	39 2208 04	Flanged Bolt	3	3	3	
8	JA 5412 21	Plate Damper Cover LH	1	1	1	
9	JA 5410 05	Bush	1	1	1	For Drive Gear Assly
10	JA 5412 33	Threaded Cap TDC Finder	1	1	1	
11	30 1011 95	'O' Ring	1	1	1	
12	JW 2330 00	Label	1	1	1	

Clutch Assembly



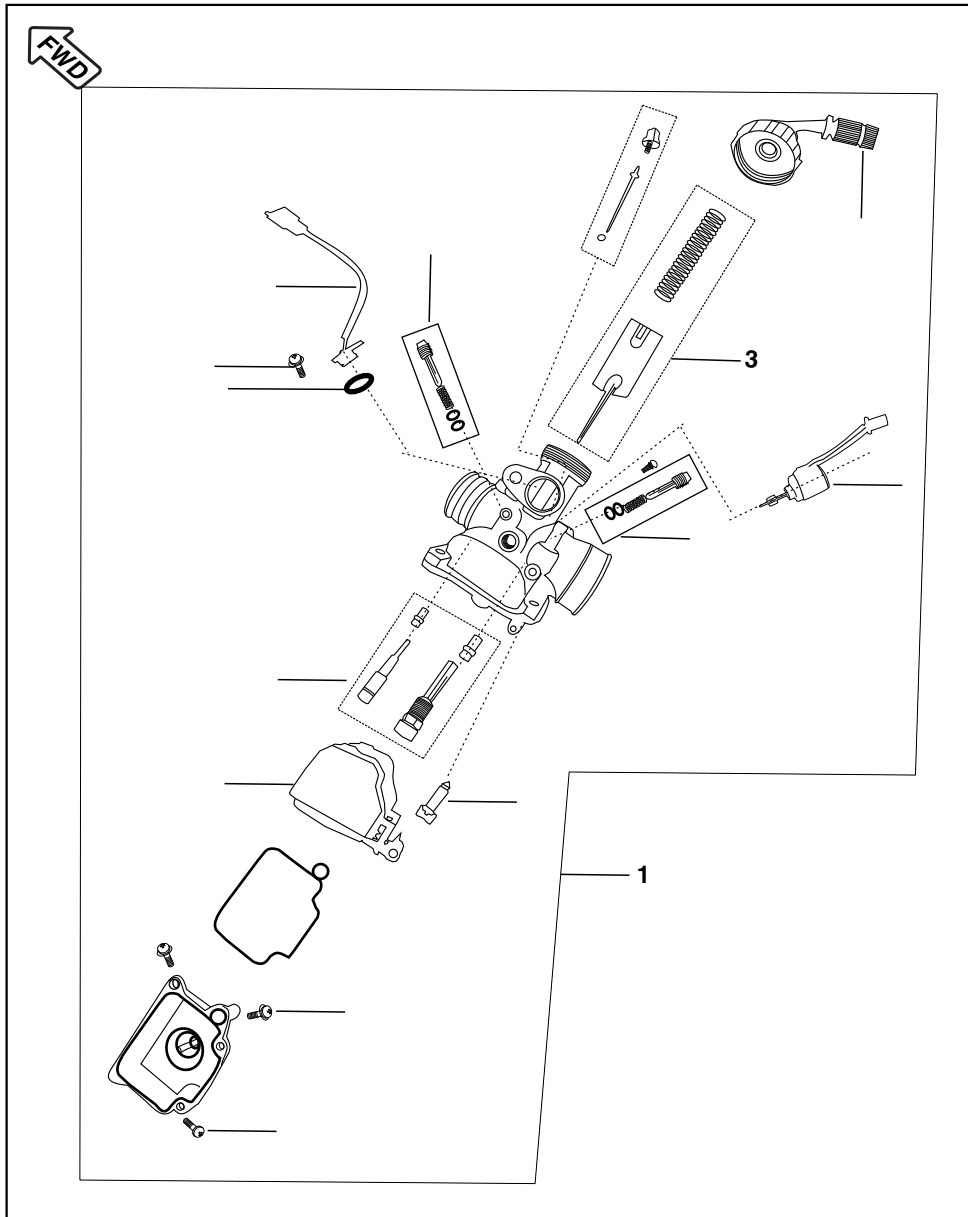
No.	Part No.	Description	ES Disc	ES Drum	KS Drum	Remarks
1	JW 5514 00	Clutch Assly Complete	1	1	1	
2	JA 5514 06	Collar Clutch	1	1	1	
3	39 2600 11	Washer	1	1	1	
4	JW 5514 02	Clutch Plate Assly	1	1	1	
5	JA 5514 14	Wheel Clutch	1	1	1	
6	JA 5514 19	Plate Clutch	4	4	4	
7	JA 5514 18	Plate Friction	4	4	4	(45 Segments)
8	JA 5514 17	Plate Friction Reduced	1	1	1	(30 Segments)
9	JA 5514 21	Plate Judder	1	1	1	One Side Chamfer
10	JA 5514 22	Spring Judder	1	1	1	
11	JA 5514 15	Hub Clutch	1	1	1	
12	JW 5514 01	Compression Spring	4	4	4	
13	JA 5514 05	Holder Clutch	1	1	1	
14	39 1553 04	Bolt Flange	4	4	4	
15	JA 5514 16	Belleville Washer	1	1	1	
16	JA 5514 20	Plain Washer	1	1	1	
17	JA 5310 07	Nut	1	1	1	Hub Clutch Lock
18	JD 5514 00	Spacer Clutch Assely	1	1	1	

Kick Starter Mechanism



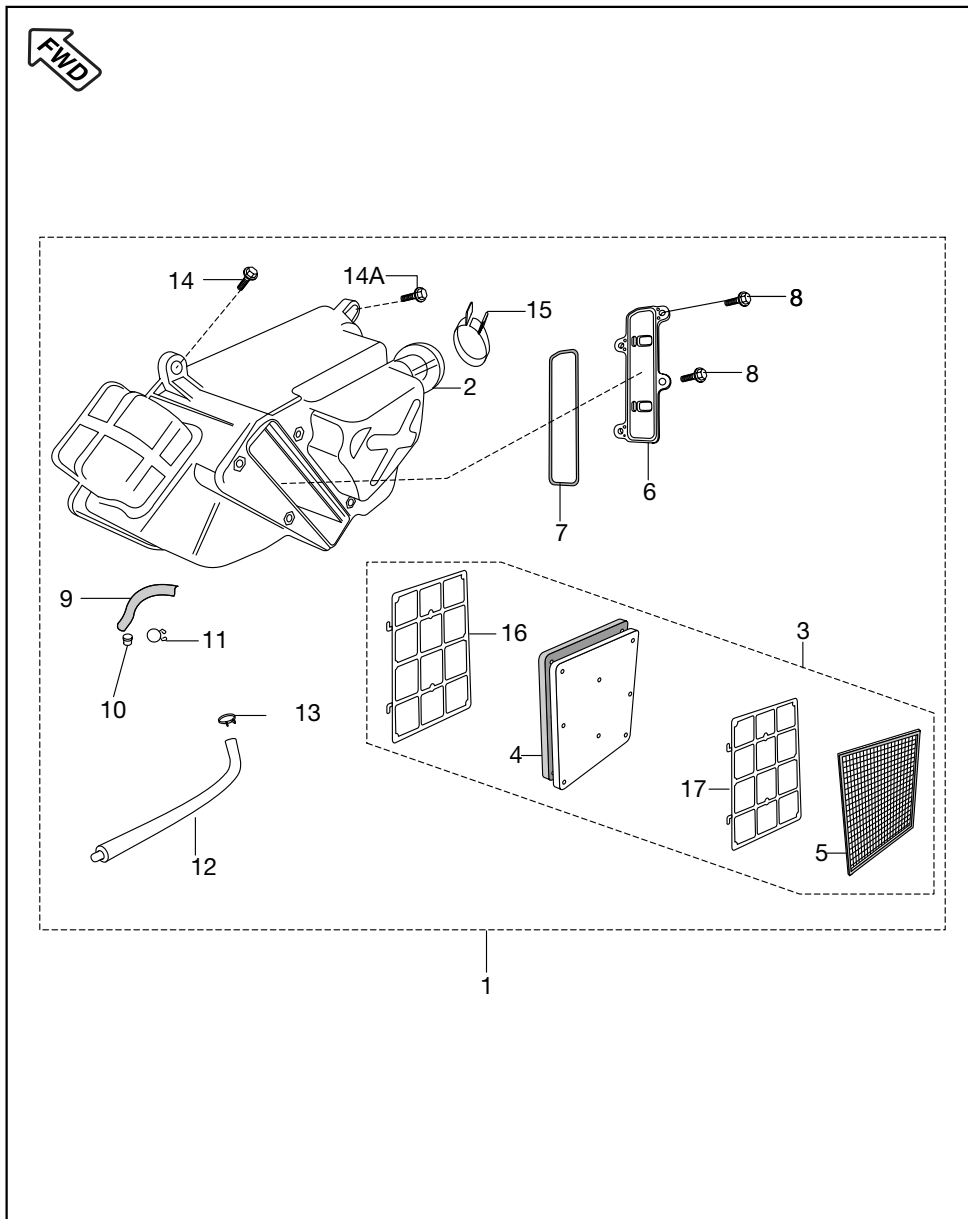
No.	Part No.	Description	ES Disc	ES Drum	KS Drum	Remarks
1	JA 6212 01	Lever Assly Kick	1	1	1	Refer Page No.115
2	DP 1510 18	Bolt Special	1	1	1	
3	36 DU10 07	Boss Kick Set	1	1	1	
4	22 1502 41	Plain Washer	1	1	1	
5	39 0993 11	Plain Washer Small	3	3	3	
6	39 0738 17	Circlip Shaft	2	2	2	
7	JD 6210 01	Shaft Kick	1	1	1	
8	DS 1011 17	Spring Kick Starter	1	1	1	
9	JA 6210 02	Ratchet	1	1	1	
10	JA 6210 03	Gear Spur Kick Starter	1	1	1	
11	JA 6210 06	Washer Thrust	1	1	1	
12	39 2408 17	Circlip	1	1	1	
13	DD 1010 97	Kick Rubber	1	1	1	

Carburettor



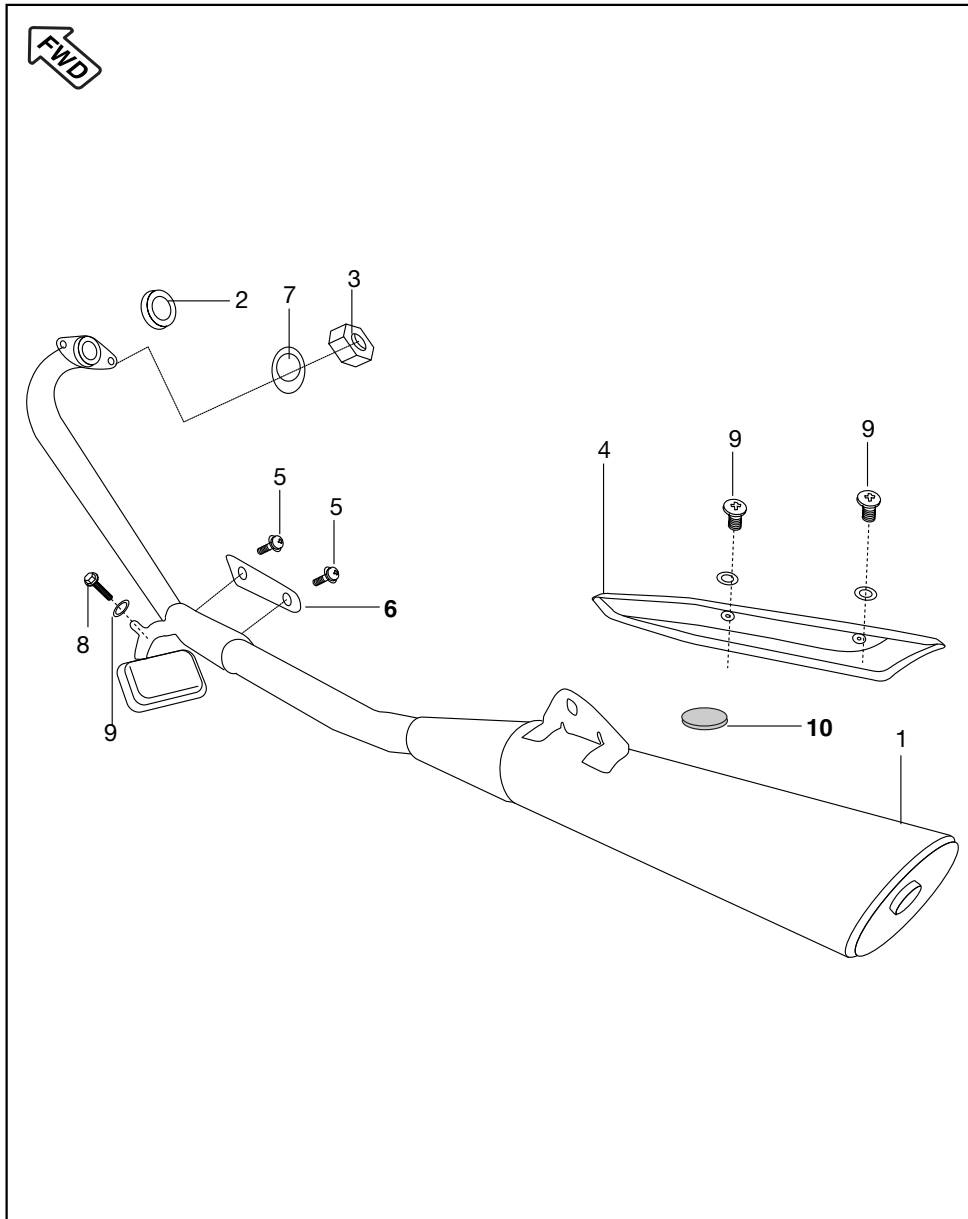
No.	Part No.	Description	ES Disc	ES Drum	KS Drum	Remarks
1	JW 5812 00	Carburettor Assly	1	1	1	
2	CB 1210 61	Cable Adjuster	1	1	1	
3	36 JW00 07	Carburettor Throttle Valve Kit	1	1	1	Refer Page No.113
4	24 1213 65	Float Assly	1	1	1	
5	JB 5812 02	Throttle Position Sensor	1	1	1	
6	JB 5812 04	'O' Ring (TPS)	1	1	1	
7	JA 5812 39	Solenoid Choke Assly	1	1	1	
8	36 JW00 08	Carburettor 'O' Ring Kit	1	1	1	N.I.
9	JA 5812 33	Screw	2	2	2	TPS & Auto Choke mtg
10	36 JW00 05	Air Screw Kit	1	1	1	Refer Page No.113
11	JA 5812 43	Idling Screw Kit	1	1	1	Refer Page No.113
12	36 JW00 06	Jet Kit	1	1	1	Refer Page No.113
13	JA 5812 21	Needle Valve Assly	1	1	1	
14	CB 1210 46	Screw Washer Bowl Mtg.	4	4	4	
15	JA 5813 14	Drain Screw	1	1	1	

Air Cleaner Complete



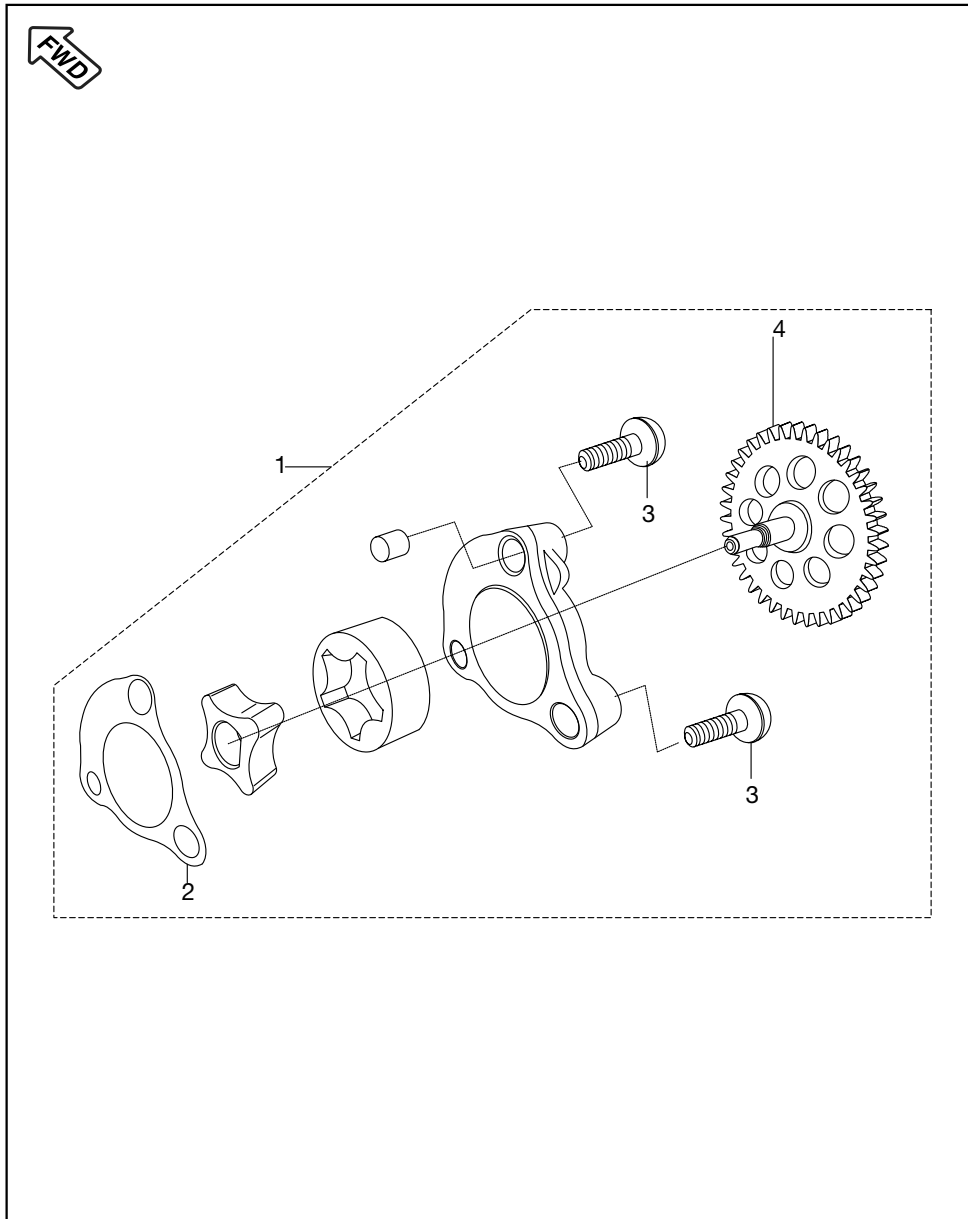
No.	Part No.	Description	ES Disc	ES Drum	KS Drum	Remarks
1	JW 5810 00	Air Filter Assly	1	1	1	For Ucal Carburettor
2	JW 5810 01	Air Filter Duct	1	1	1	For Ucal Carburettor
3	JA 5810 05	Cartridge Assly	1	1	1	
4	JA 5810 06	Element Air Filter	1	1	1	
5	JA 5810 09	Flame Arrestor	1	1	1	
6	JA 5810 10	Cartridge Cover	1	1	1	
7	JA 5810 11	'O' Ring Cartridge	1	1	1	
8	39 1773 04	Flange Bolt	4	4	4	
9	JA 5810 12	Tube Drain	1	1	1	
10	DS 1211 26	Plug	1	1	1	
11	DP 1210 25	Clamp	1	1	1	
12	JA 5110 11	Hose Breather	1	1	1	
13	JA 5110 29	Clamp Breather	1	1	1	
14	39 1677 04	Flange Bolt	1	1	1	
14A	JA 5210 19	Flange Bolt	2	2	2	
15	DH 1210 38	Band Insualtor	1	1	1	
16	JA 5810 07	Element Holder A	1	1	1	
17	JA 5810 08	Element Holder B	1	1	1	

Silencer Assembly



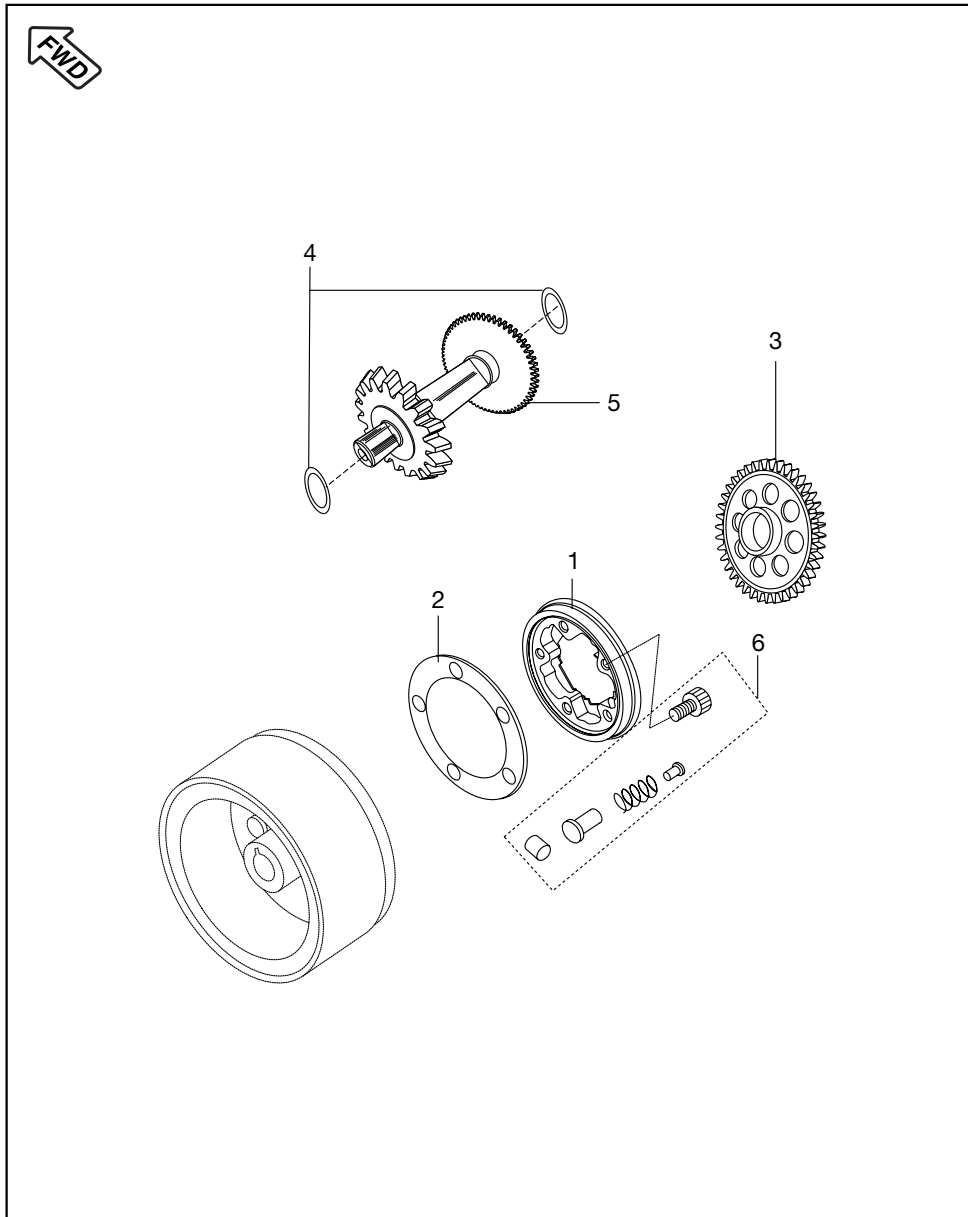
No.	Part No.	Description	ES Disc	ES Drum	KS Drum	Remarks
1	JW 5910 31	Silencer Assly W/o Shield	1	1	1	
2	CB 1011 14	Gasket Exhaust Mounting	1	1	1	
3	JA 5910 40	Flange Nut	2	2	2	
4	JW 5910 23	Shield Silencer	1	1	1	
5	DH 1016 07	Truss Screw	2	2	2	
6	JA 5910 37	Shield Exhaust Tube	1	1	1	
7	39 2492 11	Plain Washer	1	1	1	
8	39 2754 04	Bolt	1	1	1	
9	JW 5910 28	Truss Screw	2	2	2	
10	JW 5910 30	Grommet Shield	1	1	1	

Oil Pump



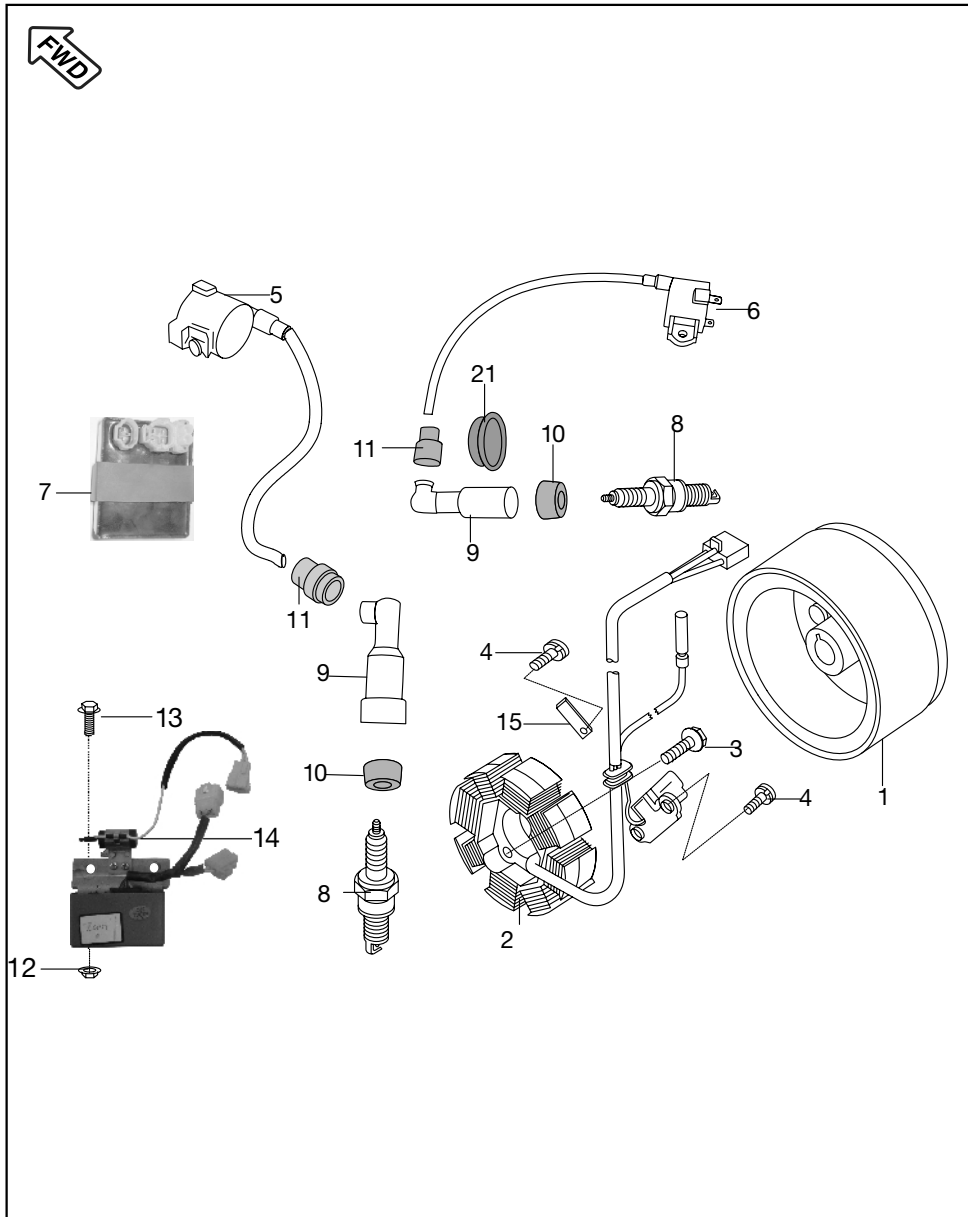
No.	Part No.	Description	ES Disc	ES Drum	KS Drum	Remarks
1	JA 5710 00	Oil Pump Assly	1	1	1	Alt. 52 JA00 23
2	JA 5410 16	Gasket Case Oil Pump	1	1	1	
3	39 0753 01	Pan Head Screw	3	3	3	
4	JA 5410 18	Gear Driven + Shaft Oil Pump	1	1	1	
5	52 JA00 23	Assly Kit Oil Pump	1	1	1	

Starter Assembly



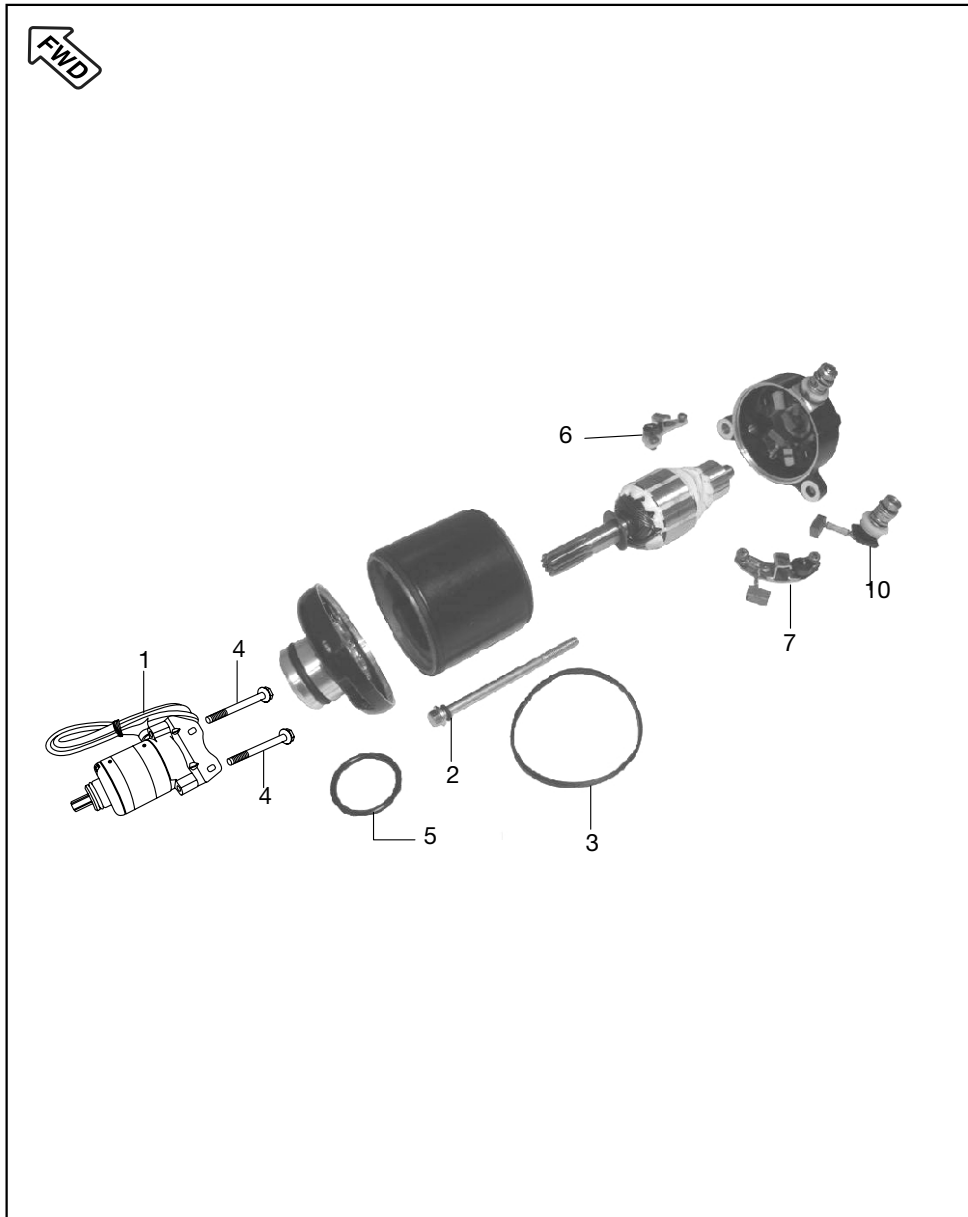
No.	Part No.	Description	ES Disc	ES Drum	KS Drum	Remarks
1	JA 6214 14	Body Complete Starter Clutch	1	1	--	
2	DH 1017 81	Plate Roller Clutch	1	1	--	
3	JA 6214 10	Gear Starter Clutch	1	1	--	
4	JA 6214 02	Washer	2	2	--	
5	JA 6214 06	Drive Gear Assly	1	1	-	
6	36 JW00 14	Starter Clutch Repair Kit	1	1	-	Refer Page No. 114

Magneto, CDI & H.T. Coil



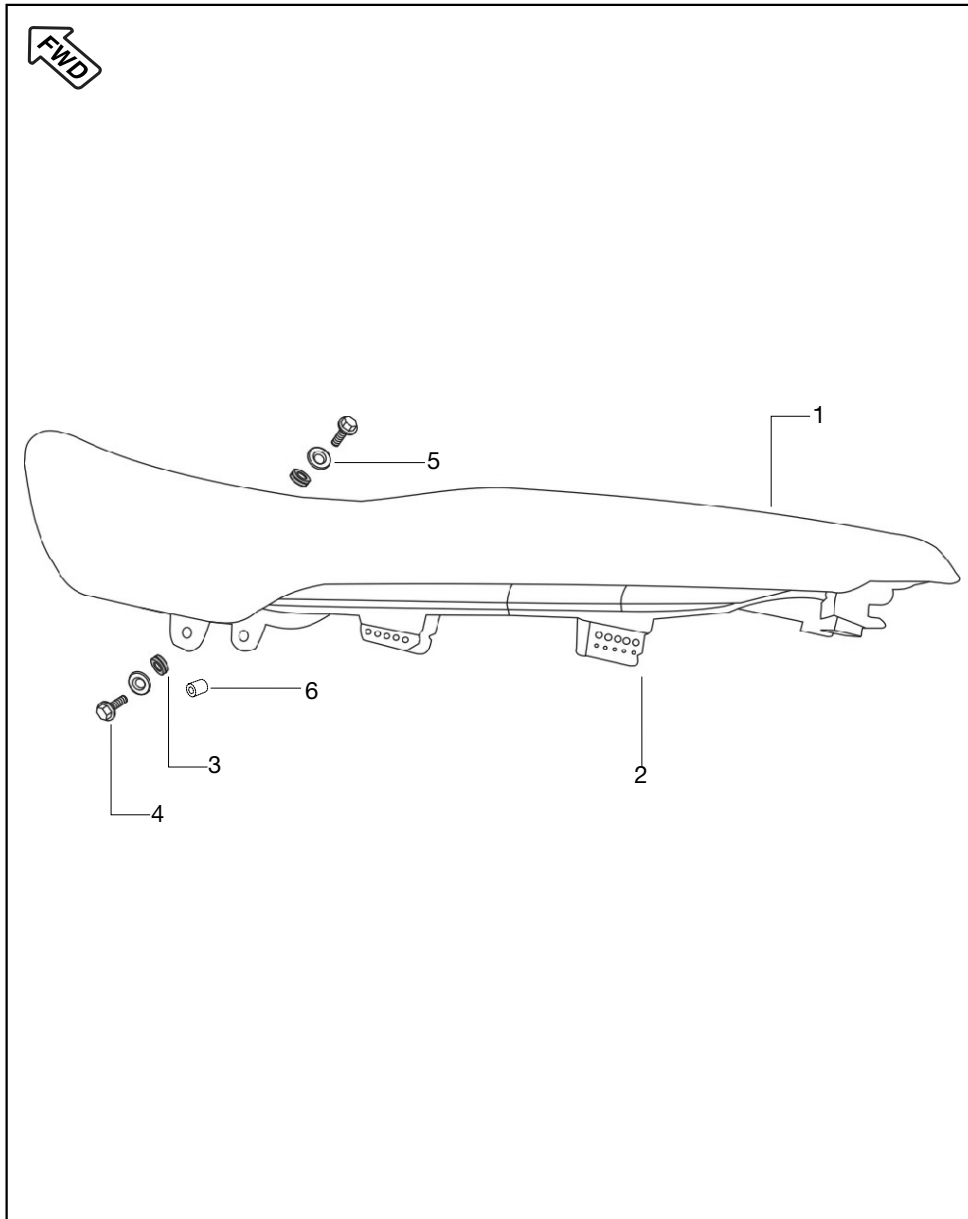
No.	Part No.	Description	ES Disc	ES Drum	KS Drum	Remarks
1	JD 3510 02	Rotor Assly (ES)	1	1	--	
	JW 3510 04	Rotor Assly (KS)	--	--	1	
2	JP 3510 07	Stater Assly Complete	1	1	1	For lock Plate & Pick Up Coil mtg.
3	39 1675 04	Bolt Flange	2	2	2	
4	39 0746 01	Pan Head Screw	3	3	3	
5	JA 3512 03	H T Coil with Cable & Cap LH	1	1	1	
6	JA 3512 04	H T Coil with Cable & Cap RH	1	1	1	
7	JW 3512 00	C.D.I. Assly	1	1	1	
8	DG 1110 08	Spark Plug (CHAMPION) Or	2	2	2	
	JA 3512 09	Spark Plug (MICO)	2	2	2	
9	DD 1110 48	Spark Plug Cap	2	2	2	
10	DD 1110 11	Grommet Spark Plug Cap	2	2	2	
11	DD 1110 12	Grommet for HT Cable	2	2	2	
12	DJ 1810 65	Clip Nut	1	1	1	
13	39 1943 04	Bolt Flange	2	2	2	
14	JB 4020 01	Capacitor Integral with Regulator	1	1	1	From 05.05.2009
	JB 4020 01	Capacitor Integral with Regulator	1	1	1	
15	JA 5410 28	Lock plate	1	1	1	

Motor Assembly Starter



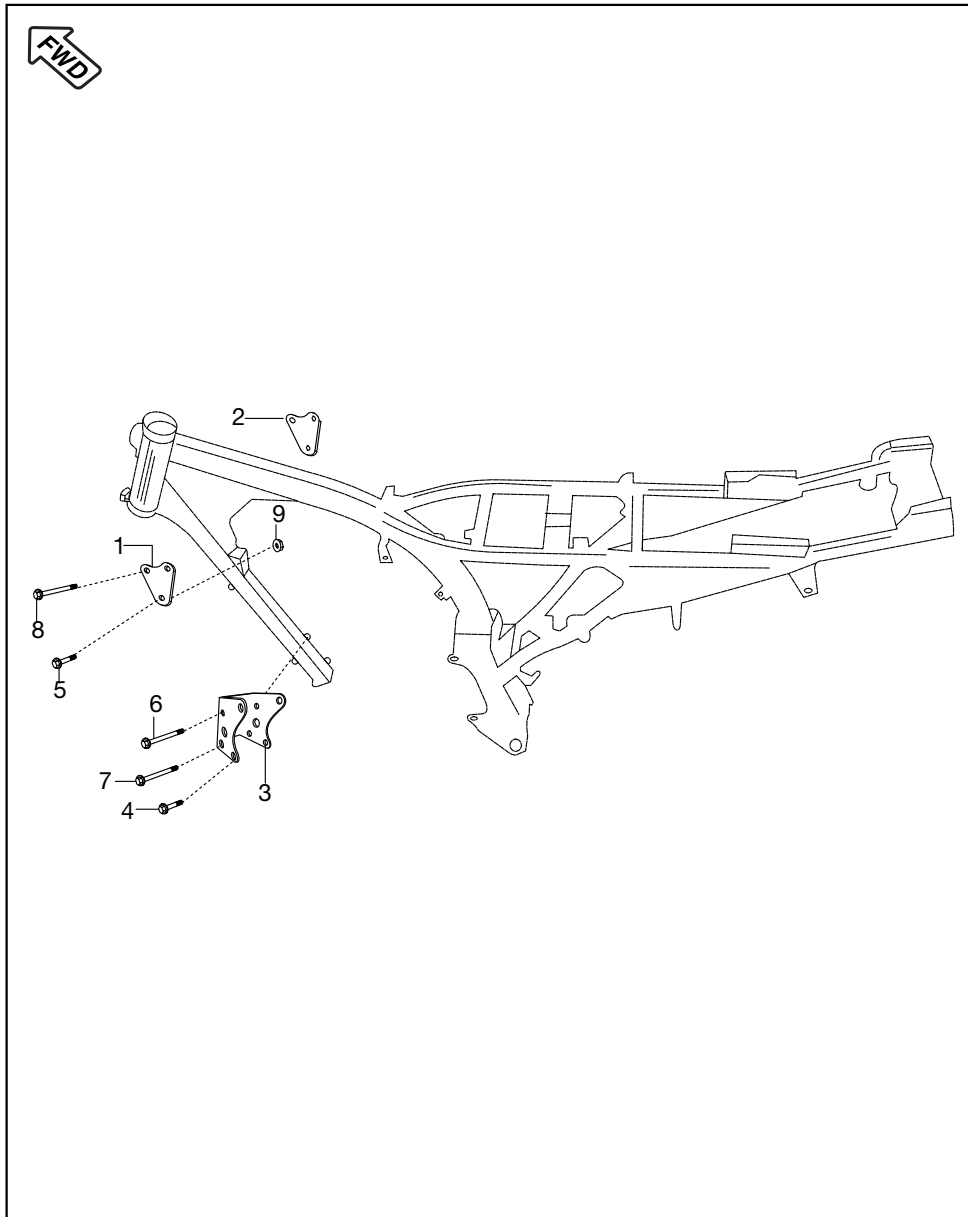
No.	Part No.	Description	ES Disc	ES Drum	KS Drum	Remarks
1	JA 3516 00	Motor Assly	1	1	--	
2	JA 3516 04	'O' Ring For Tie Bolt (Flash)	1	1	--	
3	JA 3516 06	Sealing Ring (Flash)	1	1	-	
	JA 3516 26	Sealing Ring (Lucas-TVS)	1	1	--	
4	DH 1011 63	Flange Bolt (Flash)	2	2	--	
5	JA 3516 02	'O' Ring For Spigot (Flash)	1	1	-	
	JA 3516 27	'O' Ring For Spigot (Lucas-TVS)				
6	JA 3516 08	+ve Brush Holder Assly (Flash)	1	1	-	
7	JA 3516 09	-ve Brush Holder Assly (Flash)	1	1	-	
8	JA 3516 18	Brush & Earth Plate Assly	1	1	--	N.I. (Lucas-TVS)
9	JA 3516 24	Brush Spring (Lucas-TVS)	1	1	-	N.I.
10	JA 3516 19	Terminal Assly (Lucas-TVS)	1	1	-	

Seat Assembly



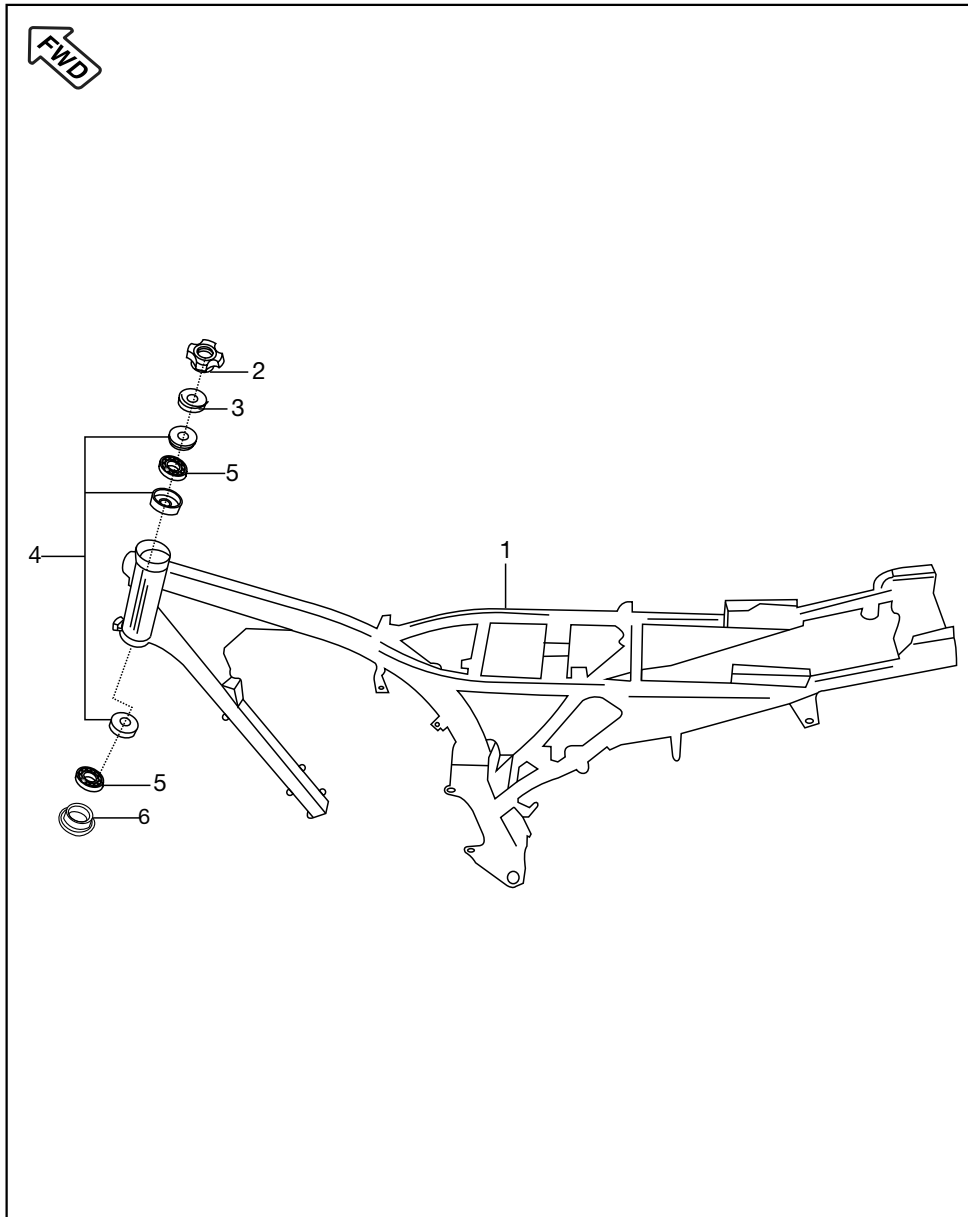
No.	Part No.	Description	ES Disc	ES Drum	KS Drum	Remarks
1	JW 1910 00	Seat Assly Complete	1	1	1	
2	36 DS12 01	Seat Damper Kit	1	1	1	Refer Page No.114
3	FD 2110 06	Grommet	2	2	2	
4	39 1553 04	Bolt - M6	2	2	2	
5	39 1211 11	Washer	2	2	2	
6	JW 1910 03	Collar	2	2	2	

Engine Mountings



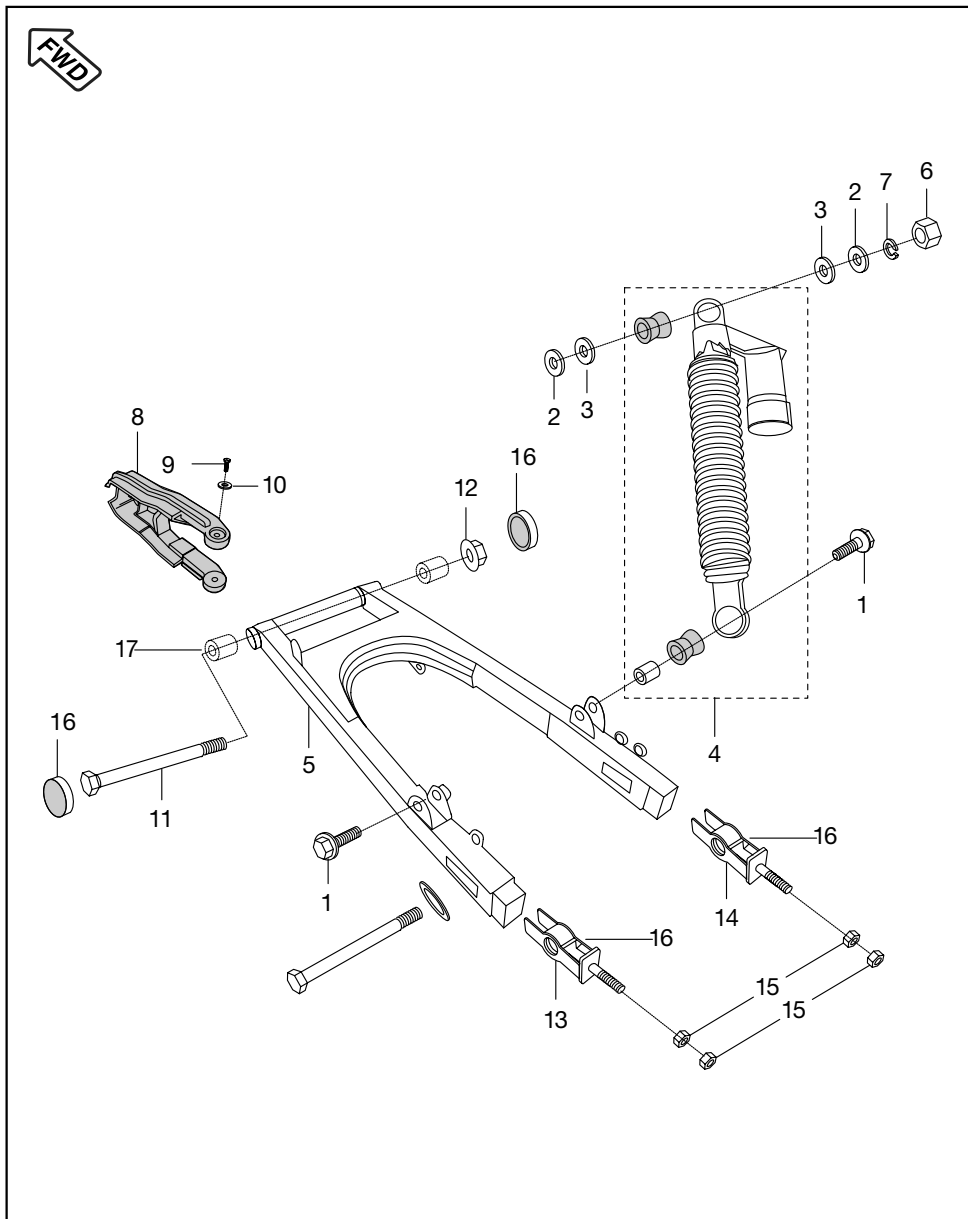
No.	Part No.	Description	ES Disc	ES Drum	KS Drum	Remarks
1	JA 1134 00	Bracket Engine Hanger LH	1	1	1	
2	JA 1134 01	Bracket Engine Hanger RH	1	1	1	
3	JA 1134 02	Engine Mounting Bracket Front	1	1	1	
4	39 2723 15	Hex Nut Flanged	2	2	2	
5	JA 1134 03	Bolt Flanged	2	2	2	For Engine Mtg.
6	JA 1134 04	Bolt Flanged	3	3	3	For Engine Mtg.
7	39 2312 04	Bolt Flanged	3	3	3	
8	59 0400 17	Hex Bolt Flanged	1	1	1	
9	39 1970 15	Nut Flanged	7	7	7	

Frame and Frame Fittings



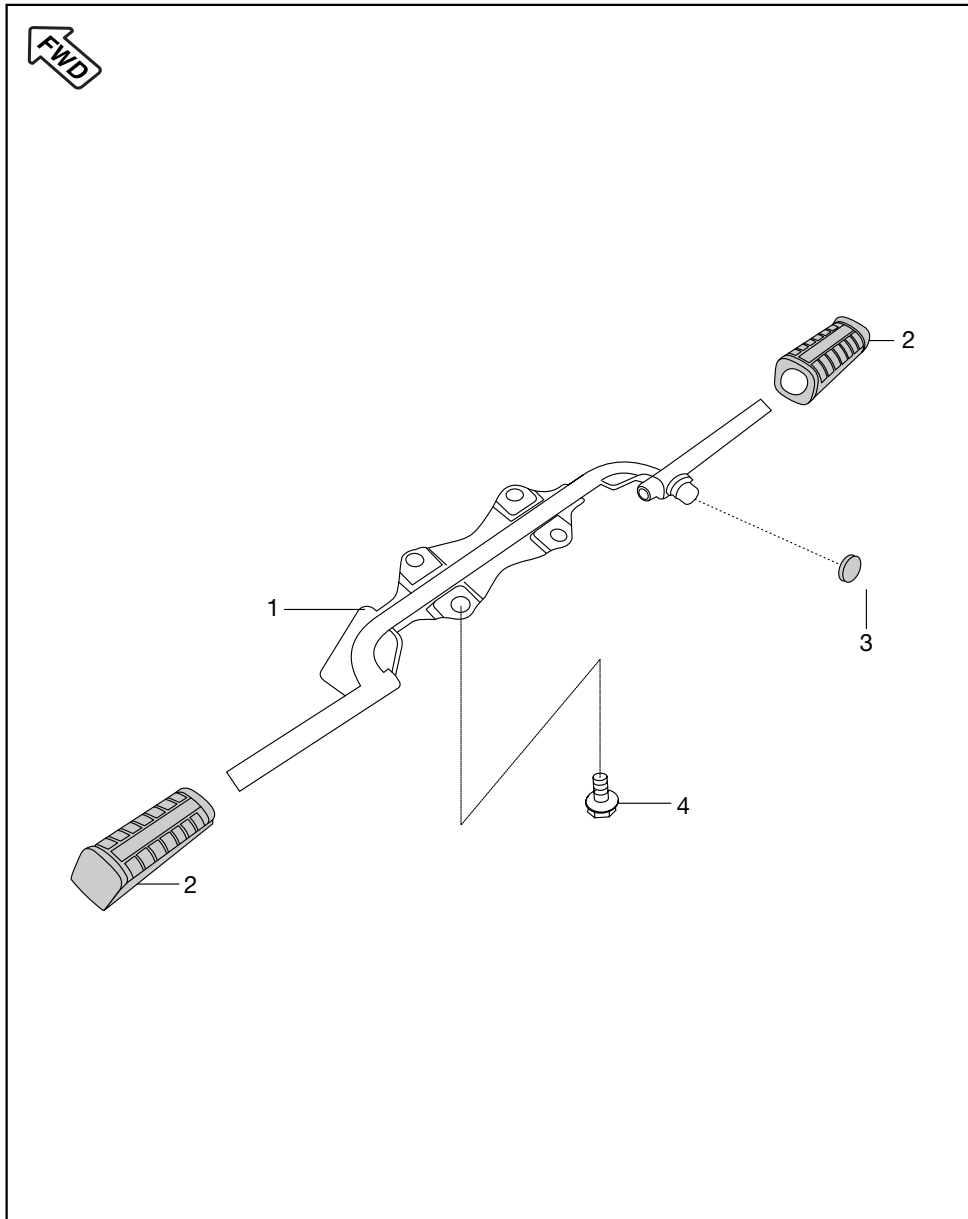
No.	Part No.	Description	ES Disc	ES Drum	KS Drum	Remarks
1	JW 1110 00	Frame Assly. Comp	1	1	1	Without Bearing Race
2	DS 1810 18	Nut Fork	1	1	1	
3	DH 1810 14	Cup - Steering	1	1	1	
4	36 DS18 02	Bearing Cone Kit	1	1	1	Refer Page No.114
5	DJ 1811 15	Cage Bearing	2	2	2	
6	DH 1810 13	Bearing Cone	1	1	1	

Swing Arm / Rear Shock Absorber



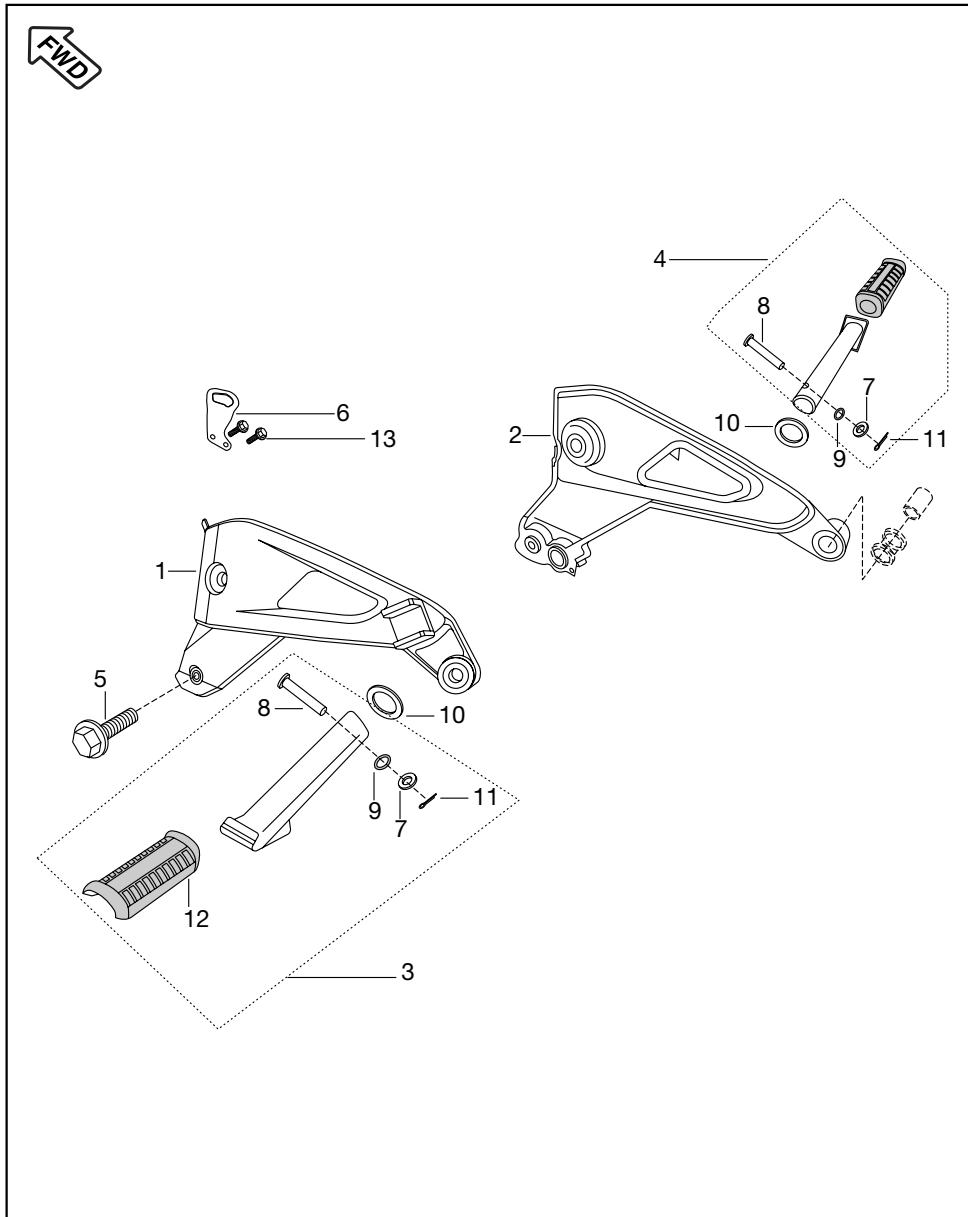
No.	Part No.	Description	ES Disc	ES Drum	KS Drum	Remarks
1	JB 1220 16	Hex Bolt / Flange	2	2	2	
2	JB 1220 11	Plain Washer	4	4	4	
3	JB 1220 10	Plain Washer	4	4	4	
4	JW 1220 01	Rear Shock Absorber	2	2	2	
5	JW 1220 08	Swing Arm With Bush	1	1	1	
6	39 0708 15	Nut	2	2	2	
7	39 2726 12	Spring Washer	2	2	2	
8	JB 1220 03	Chain Slider	1	1	1	
9	39 0553 02	Screw	2	2	2	
10	39 0454 11	Plain Washer	2	2	2	
11	JD 1220 02	Shaft Swing Arm	1	1	1	
12	JB 1310 19	U Nut	1	1	1	
13	DJ 1510 36	Adjuster Chain LH	1	1	1	
14	DJ 1510 37	Adjuster Chain RH	1	1	1	
15	39 0292 15	Hexagon Nut	4	4	4	
16	DJ 1510 47	Plate Chain Adjuster	2	2	2	
17	DP 1710 06	Silent Bush	2	2	2	

Stay Main Step



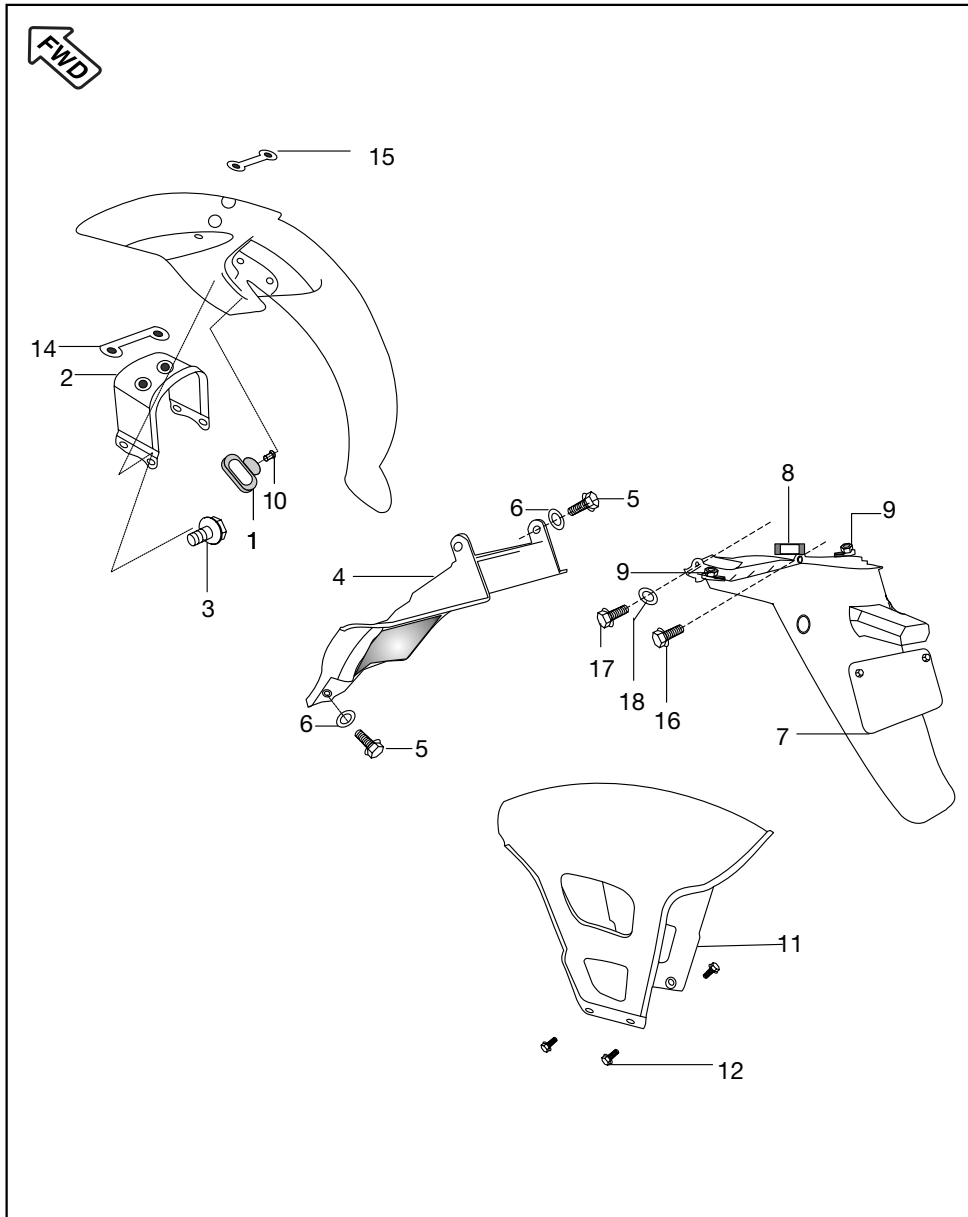
No.	Part No.	Description	ES Disc	ES Drum	KS Drum	Remarks
1	JW 1130 01	Stay Main Step Fix (Rider Foot Rest)	1	1	1	
2	DF 1614 13	Damper Step Front in PVC	2	2	2	
3	DH 1611 94	Stopper Kick	1	1	1	
4	JA 1130 11	Bolt Flange	4	4	4	

Pillion Foot Rest / Holder



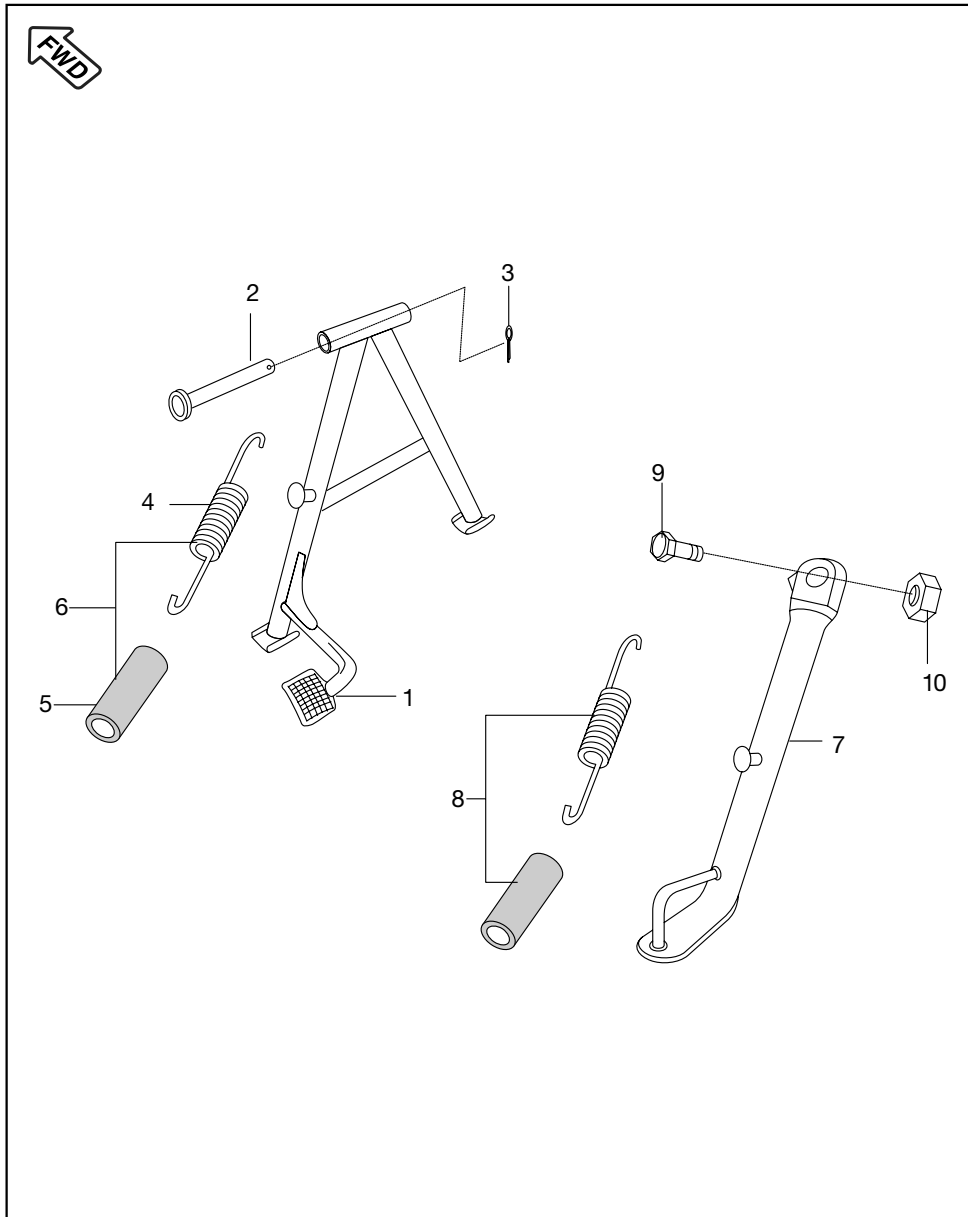
No.	Part No.	Description	ES Disc	ES Drum	KS Drum	Remarks
1	JW 1130 03	Holder LH Step	1	1	1	
2	JW 1130 05	Holder RH Step	1	1	1	
3	DX 1610 21	Pillion Step Assly. Comp. LH	1	1	1	
4	DX 1610 24	Pillion Step Assly. Comp. RH	1	1	1	
5	39 1714 04	Flange Bolt	2	2	2	
6	JW 1130 06	Bracket Side Cover Lock	1	1	1	
7	39 0211 11	Washer	2	2	2	
8	DH 1610 61	Pin Pillion Step	2	2	2	
9	30 1410 31	'O' Ring	2	2	2	
10	39 1040 11	Plain Washer	2	2	2	
11	39 0784 08	Split Pin	2	2	2	
12	DX 1610 56	Rubber Pillion Step	2	2	2	
13	39 2754 04	Hex Bolt (M S)	2	2	2	

Fender - Front & Rear



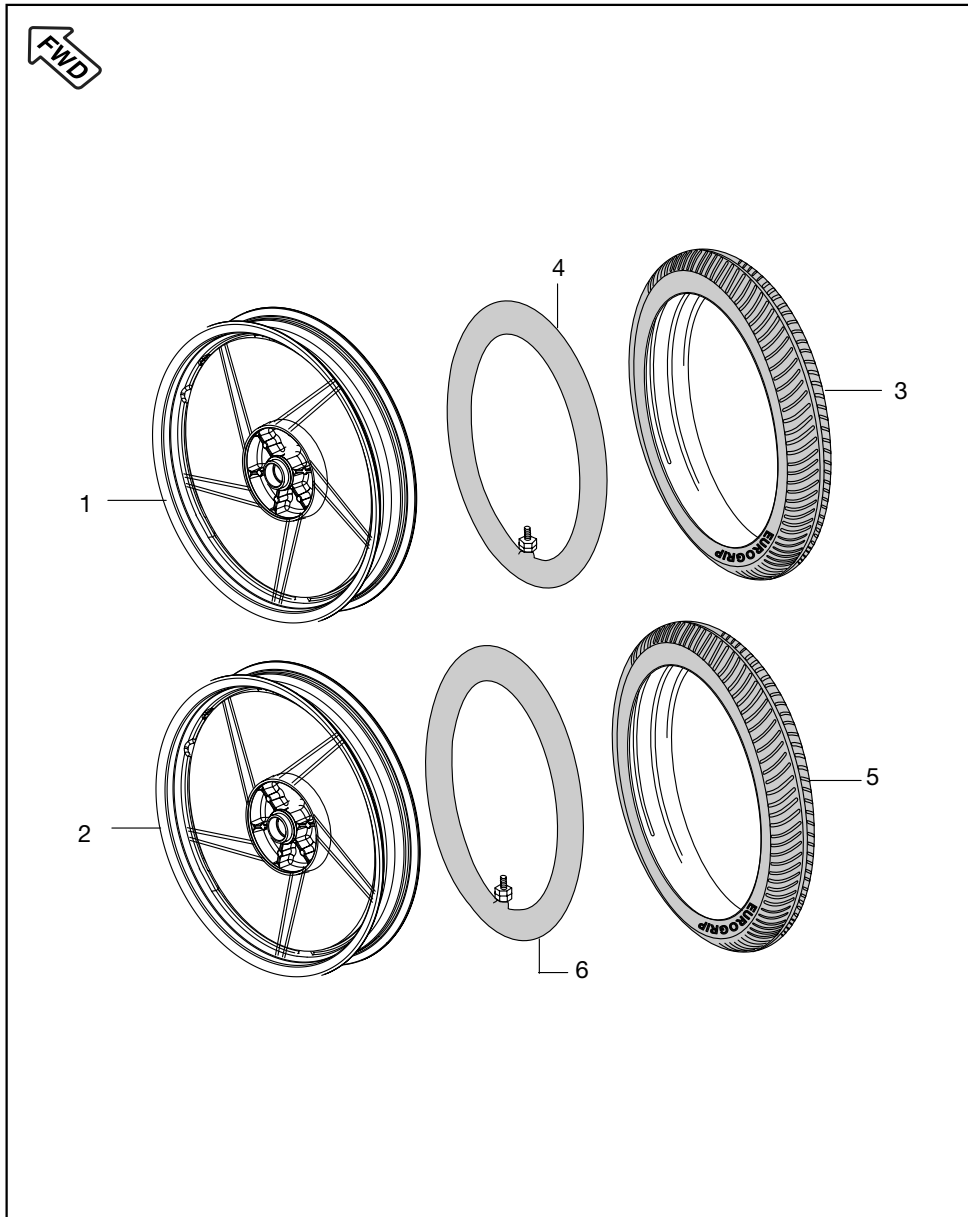
No.	Part No.	Description	ES Disc	ES Drum	KS Drum	Remarks
1	DS 1611 25	Cable Guide	1	1	1	
2	JW 1814 10	Brace Fender (Drum)	-	1	1	Fender Front Mtg
	JW 1814 05	Brace Fender (Disc)	1	-	-	
3	JB 1814 12	Flange Bolt	4	4	4	
4	JW 1814 03	Fender Rear Front	1	1	1	
5	39 1943 04	Flange Bolt	3	3	3	
6	39 0211 11	Plain Washer	3	3	3	
7	JW 1814 01	Fender Rear Rear	1	1	1	
8	JW 1814 07	Grommet For Saree Guard	1	1	1	
9	DJ 1810 65	Clip Nut (M6)	2	2	2	
10	DJ 1610 69	Nail for Cable Guide	1	1	1	
11	DJ 1612 21	Cover Mud Rear	1	1	1	
12	DS 1612 24	Step Bolt	4	4	4	
13	JW 2326 00	Foam For Number Plate	1	1	1	N.I.
14	JW 1814 02	Packing Brace Fender	1	1	1	Front Fender & Brace Fender
15	JW 1814 15	Packing Brace Fender-Top	1	1	1	Front Fender & Number Plate
16	DS 1612 24	Step Bolt	2	2	2	
17	JW 1812 28	Blot Flange M6	2	2	2	
18	39 0211 11	Washer Plain	2	2	2	

Stand Assembly



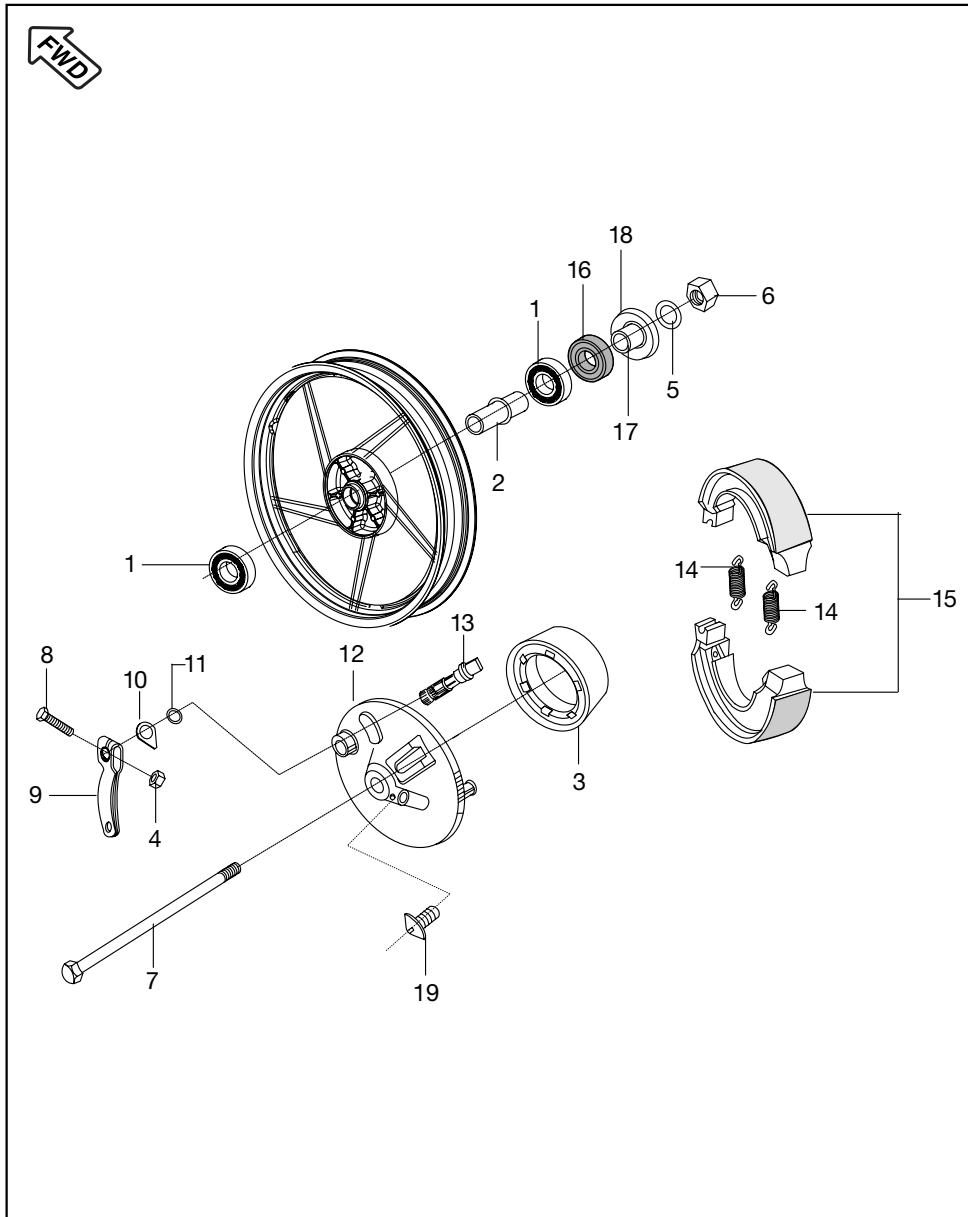
No.	Part No.	Description	ES Disc	ES Drum	KS Drum	Remarks
1	JW 1132 00	Center Stand	1	1	1	
2	JA 1132 01	Shaft Stand	1	1	1	
3	39 0797 08	Pin Cotter	1	1	1	
4	DH 1611 21	Spring Main Stand	1	1	1	
5	DH 1611 45	Cover Spring Main Stand	1	1	1	
6	DH 1612 39	Spring Main Stand With Cover	1	1	1	
7	JA 1132 02	Stand Side	1	1	1	
8	DH 1612 40	Spring Side Stand With Cover	1	1	1	
9	DF 1611 02	Bolt	1	1	1	
10	39 0422 15	Nut-Nyloc	1	1	1	

Tyre / Tube / Rim



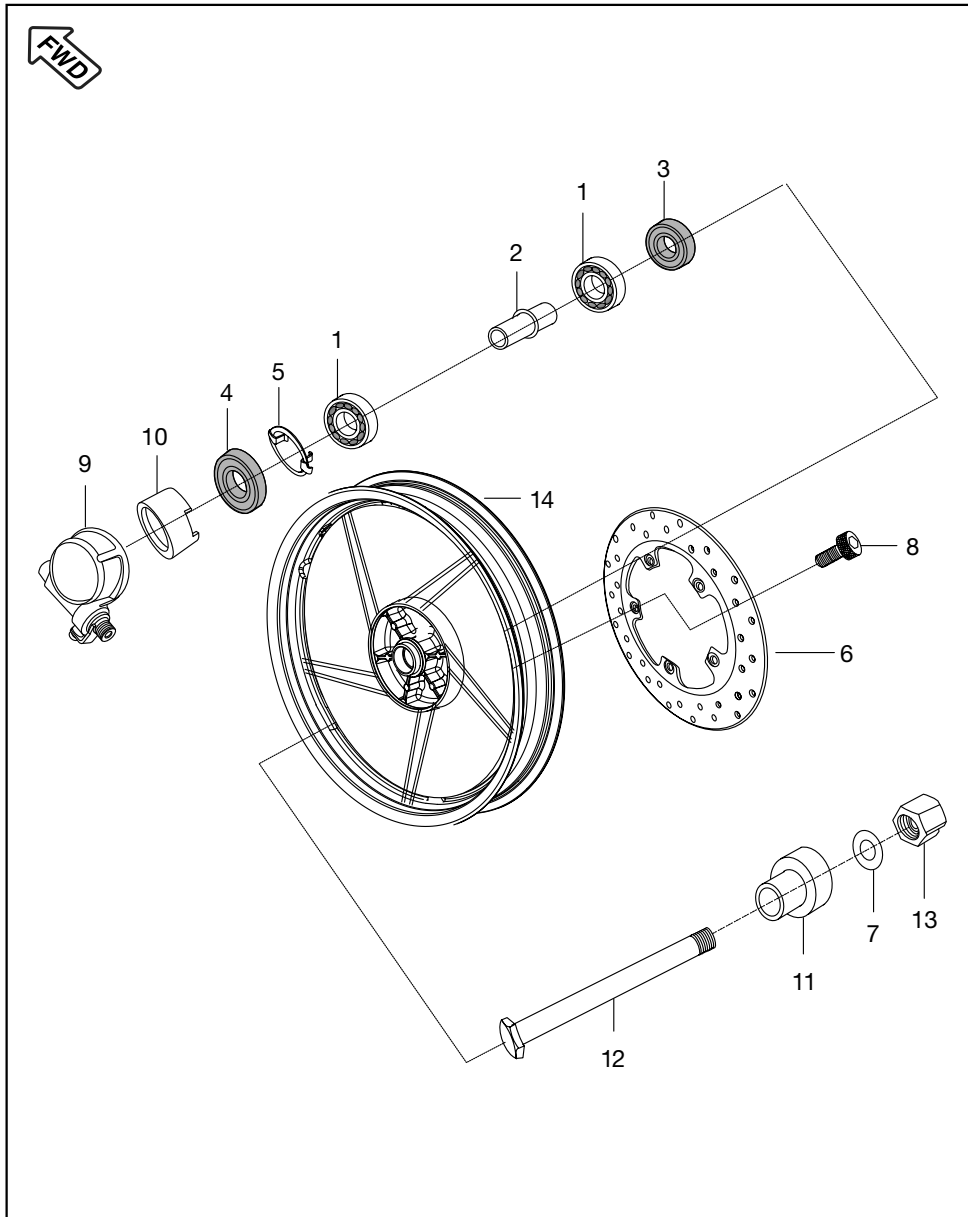
No.	Part No.	Description	ES Disc	ES Drum	KS Drum	Remarks
1	JB 1310 16	Wheel Rim Front (Drum)	--	1	1	For Drum For Disc
	JW 1310 04	Wheel Rim Front (Disc)	1	--	--	
2	JW 1312 05	Wheel Rim Rear	1	1	1	} Not Serviceable
3	DS 1510 48	Tyre Front	1	1	1	
4	DS 1510 49	Tube Front	1	1	1	
5	DS 1510 31	Tyre Rear	1	1	1	
6	DS 1510 29	Tube Rear	1	1	1	

Front Hub (For Drum Brake System)



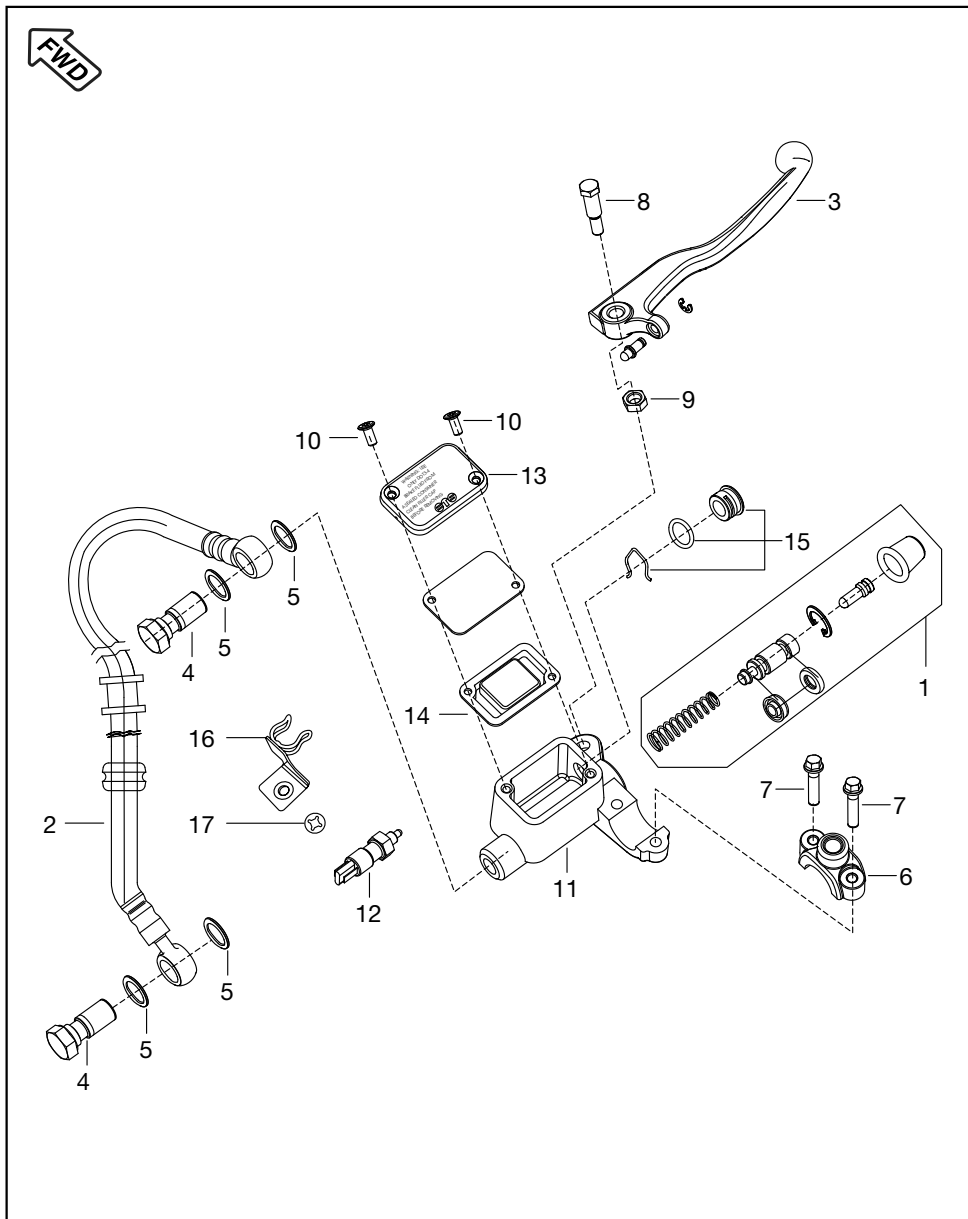
No.	Part No.	Description	ES Disc	ES Drum	KS Drum	Remarks
1	39 2688 20	Bearing Ball	--	2	2	
2	30 1510 32	Collar Bearing	--	1	1	
3	JB 1310 08	Ring Speed Sensor	--	1	1	
4	DS 1510 94	Nut	--	1	1	
5	JB 1310 18	Plain Washer	--	1	1	
6	JB 1310 19	'U' Nut	--	1	1	
7	JB 1310 17	Axle	--	1	1	
8	DS 1510 95	Bolt	--	1	1	
9	DS 1510 92	Lever Brake Cam	--	1	1	
10	DS 1510 91	Wear Indicator	--	1	1	
11	30 1510 38	Ring 'O'	--	1	1	
12	JB 1316 01	Panel Front Brake	--	1	1	
13	DS 1510 89	Cam Brake	--	1	1	
14	30 1510 69	Spring	--	2	2	
15	30 1510 68	Shoe Brake	--	2	2	
16	30 1510 33	Oil Seal	--	1	1	
17	JB 1310 22	Spacer Assly	--	1	1	
18	DS 1510 56	Dust Seal	--	1	1	
19	JB 1310 20	Pan Head Screw	--	1	1	

Front Hub (For Disc Brake System)



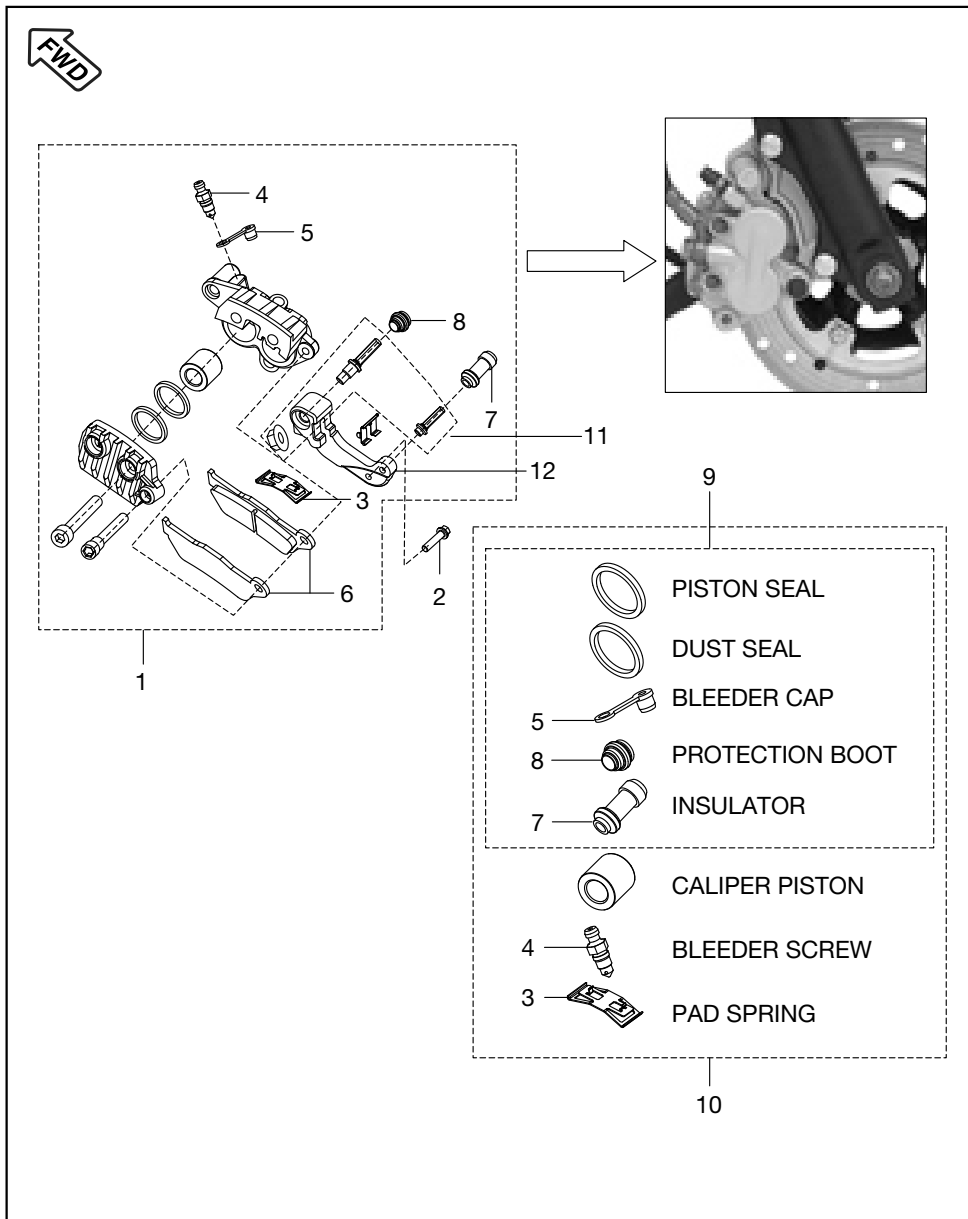
No.	Part No.	Description	ES Disc	ES Drum	KS Drum	Remarks
1	39 2688 20	Bearing Ball	2	--	--	
2	DE 1510 06	Spacer Assly.	1	--	--	
3	30 1510 33	Seal Oil	1	--	--	
4	DE 1510 08	Seal Oil	1	--	--	
5	DE 1510 12	Plate Drive	1	--	--	
6	JW 1318 06	Disc (200 mm Dia)	1	--	--	
7	JB 1310 18	Plain Washer	1	--	--	
8	LA C000 02	Hex. Soc. Head Bolt	5	--	--	
9	JN 1316 03	Case Meter Assly	1	--	--	
10	DJ 1510 94	Rotor Speedo (Disc)	1	--	--	
11	JN 1310 03	Spacer	1	--	--	
12	JB 1310 17	Axle	1	--	--	
13	JB 1310 19	'U' Nut	1	--	--	
14	JW 1310 04	Wheel Rim	1	--	--	

Front Master Cylinder



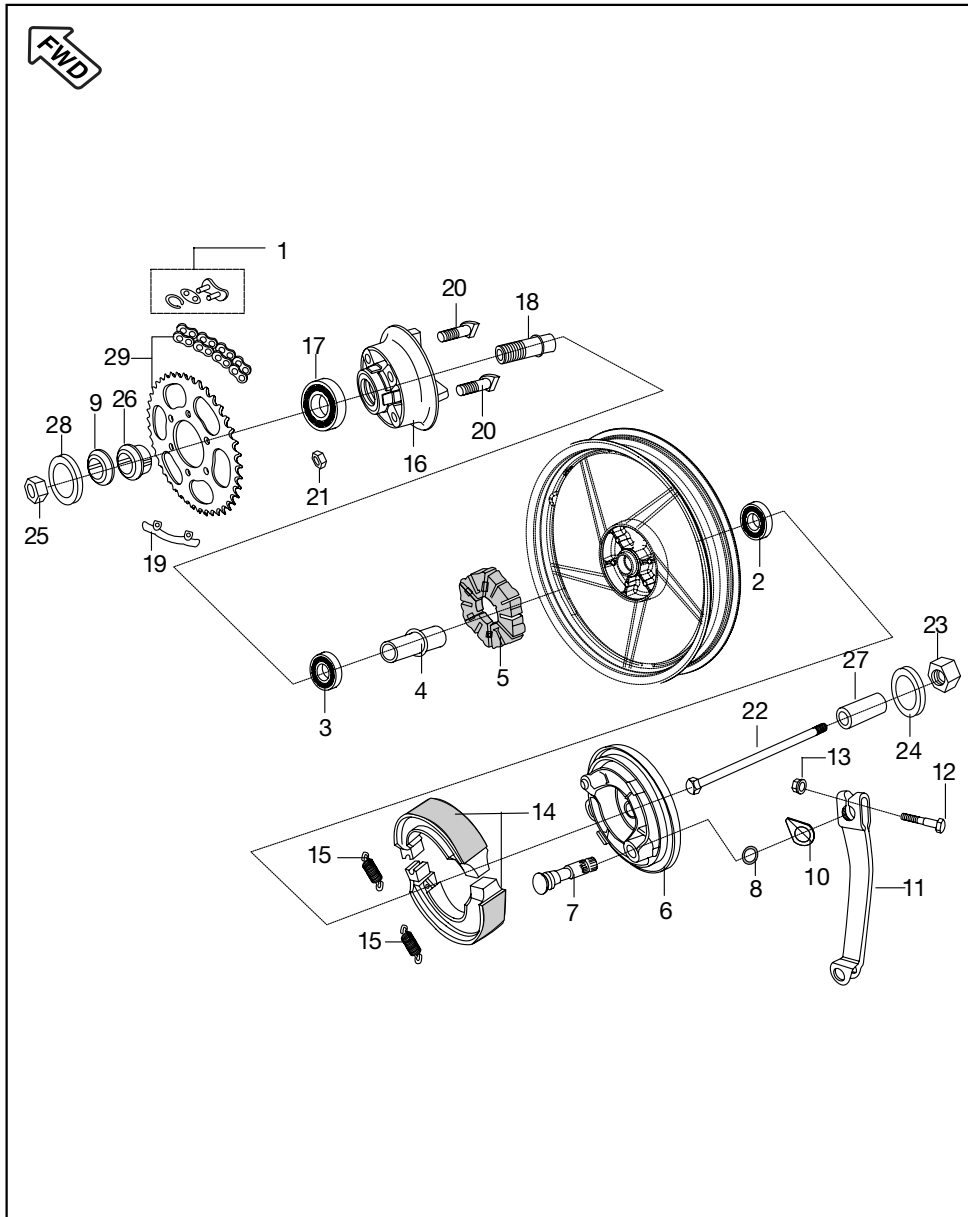
No.	Part No.	Description	ES Disc	ES Drum	KS Drum	Remarks
1	DJ 1910 23	Major Kit - Master Cylinder	1	--	--	
2	JW 1318 05	Hose Brake Front	1	--	--	
3	DJ 1910 06	Lever Grip RH	1	--	--	
4	DJ 1910 25	Banjo Bolt	2	--	--	
5	DJ 1910 26	Washer Copper	4	--	--	
6	DJ 1910 27	Clamp Holder RH	1	--	--	
7	DJ 1910 28	Bolt	2	--	--	
8	DJ 1910 29	Bolt Front Brake Lever	1	--	--	
9	DJ 1910 30	Nut Flanged	1	--	--	
10	DJ 1910 31	Screw	2	--	--	
11	DJ 1910 32	Cylinder Master	1	--	--	
12	DJ 2011 09	Front Brake Switch	1	--	--	
13	DJ 1910 34	Reservoir Cover	1	--	--	
14	DJ 1910 35	Diaphragm	1	--	--	
15	36 DH19 02	'O' Ring Master Cylinder Kit	1	--	--	
16	JW 1318 04	Clamp Hose Pipe Upper	1	--	--	
17	52 DH03 10	Lock Washer	1	--	--	
18	DJ 2011 08	Cable Assly For Switch	1	--	--	N.I.

Front Disc Brake



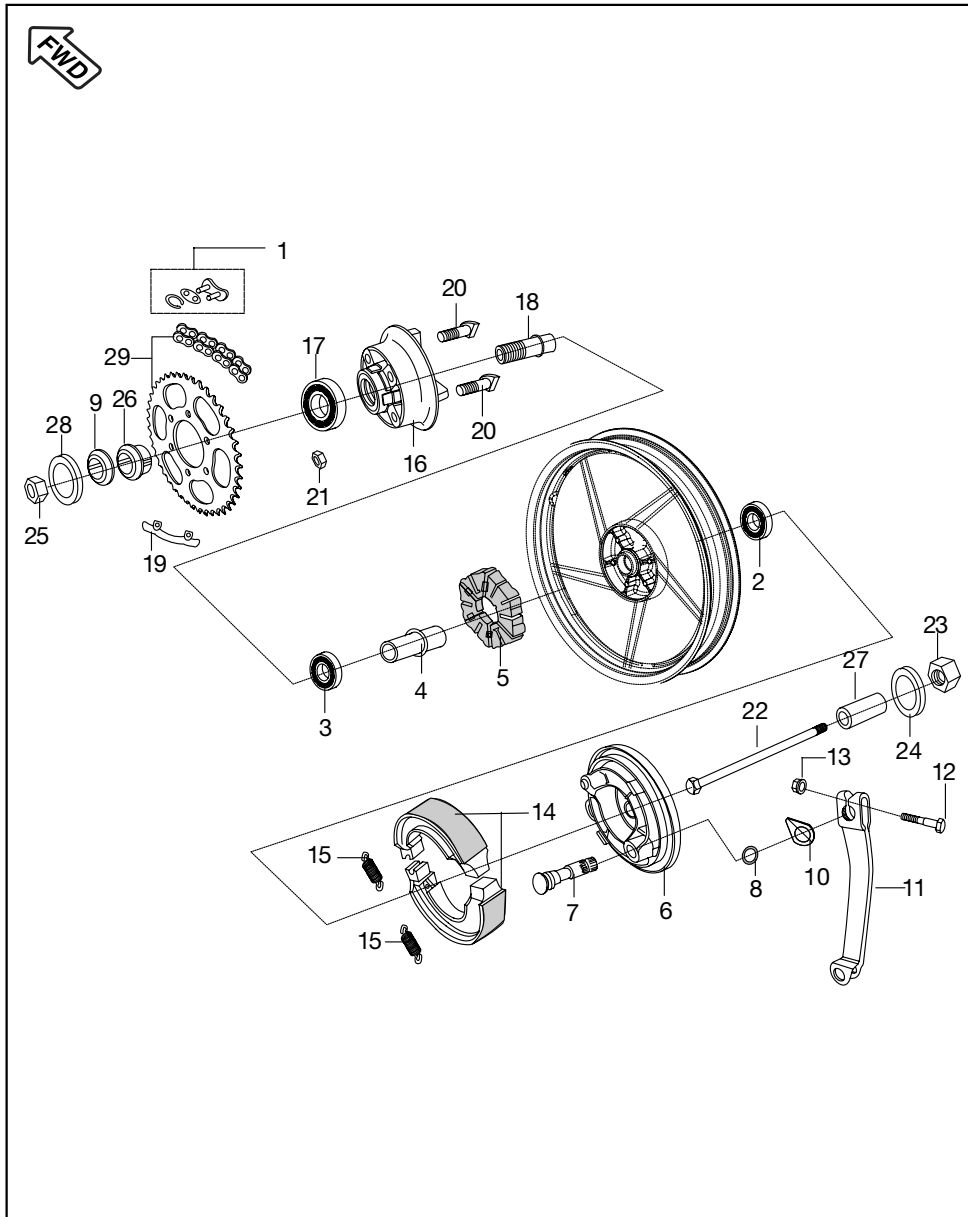
No.	Part No.	Description	ES Disc	ES Drum	KS Drum	Remarks
1	JW 1318 01	Caliper Assly. Front	1	--	--	
2	DJ 1612 80	Bolt Flanged Caliper Mounting	2	--	--	
3	DJ 1510 68	Spring Pad	1	--	--	
4	DJ 1510 69	Bleeder Screw	1	--	--	
5	DJ 1510 70	Bleeder Cap	1	--	--	
6	JW 1318 07	Disc Pad Set	1	--	--	
7	DJ 1510 72	Protection Boot (8 mm Dia)	1	--	--	
8	DJ 1510 73	Protection Boot (9 mm Dia)	1	--	--	
9	JW 1318 09	Minor Kit - Caliper	1	--	--	
10	DJ 1510 75	Major Kit - Caliper	1	--	--	
11	JW 1318 10	Anchor Pin Kit	1	--	--	
12	JW 1318 02	Holder Bracket	1	--	--	

Rear Hub



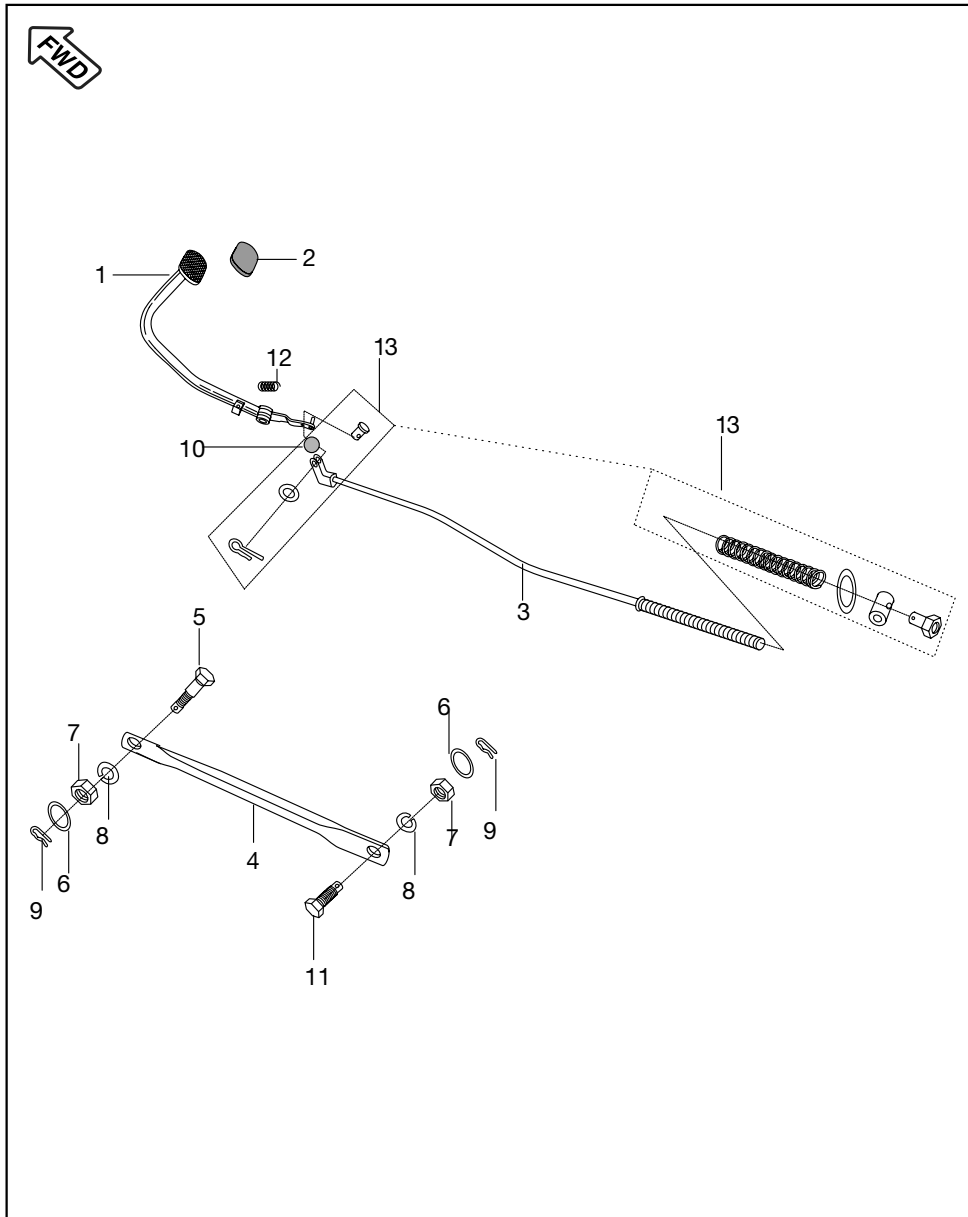
No.	Part No.	Description	ES Disc	ES Drum	KS Drum	Remarks
1	JB 1410 01	Lock Strip Chain	1	1	1	
2	39 2686 20	Bearing Ball	1	1	1	
3	39 2687 20	Bearing Ball	1	1	1	
4	30 1510 75	Collar Bearing	1	1	1	
5	DS 1510 68	Damper Rear	1	1	1	
6	DJ 1510 92	Panel Rear Brake	1	1	1	
7	30 1510 12	Cam Brake	1	1	1	
8	30 1510 38	Ring 'o'	1	1	1	
9	DS 1510 57	Dust Cover	1	1	1	
10	30 1510 05	Indicator	1	1	1	
11	JW 1316 01	Lever Brake Cam Rear	1	1	1	
12	DS 1510 95	Flange Bolt	1	1	1	
13	DS 1510 94	Nut	1	1	1	
14	30 1510 68	Shoe Brake	2	2	2	
15	30 1510 69	Spring	2	2	2	
16	DS 1510 68	Coupling	1	1	1	
17	39 2240 20	Bearing Ball	1	1	1	
18	DJ 1510 33	Sleeve	1	1	1	
19	DS 1510 74	Lock Washer	2	2	2	
20	DS 1510 73	Stud	4	4	4	

Rear Hub



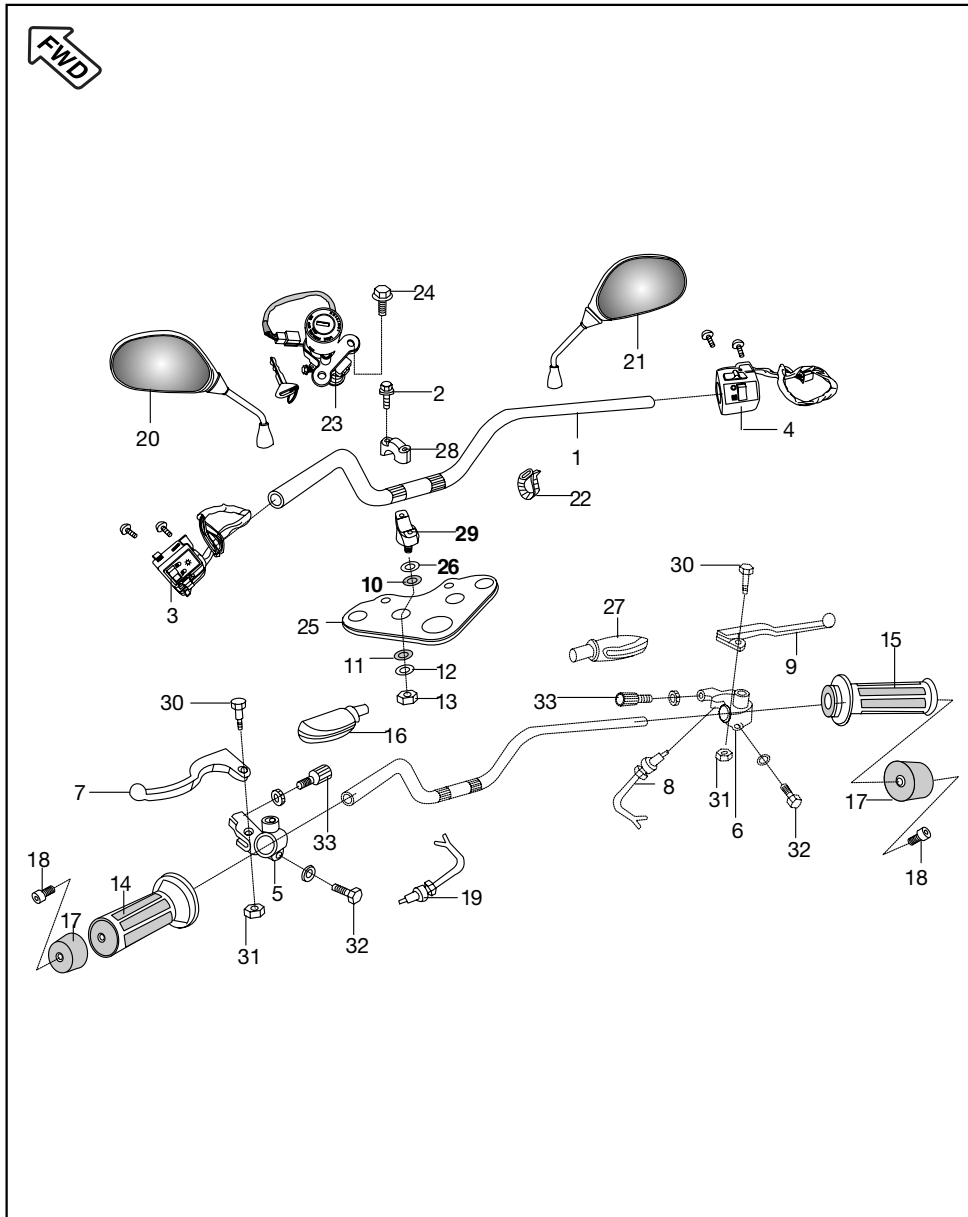
No.	Part No.	Description	ES Disc	ES Drum	KS Drum	Remarks
21	39 0794 15	Hex. lock nut	4	4	4	
22	JN 1312 11	Axle	1	1	1	
23	DJ 1710 33	'U' nut	1	1	1	
24	39 2566 11	Plain washer	1	1	1	
25	JB 1312 25	Nut	1	1	1	
26	DJ 1510 35	Collar	1	1	1	
27	DX 1510 22	Collar	1	1	1	
28	39 2567 11	Plain washer	1	1	1	
29	36 JW00 11	Chain sprocket kit	1	1	1	Refer Page No.114

Rear Brake Pedal



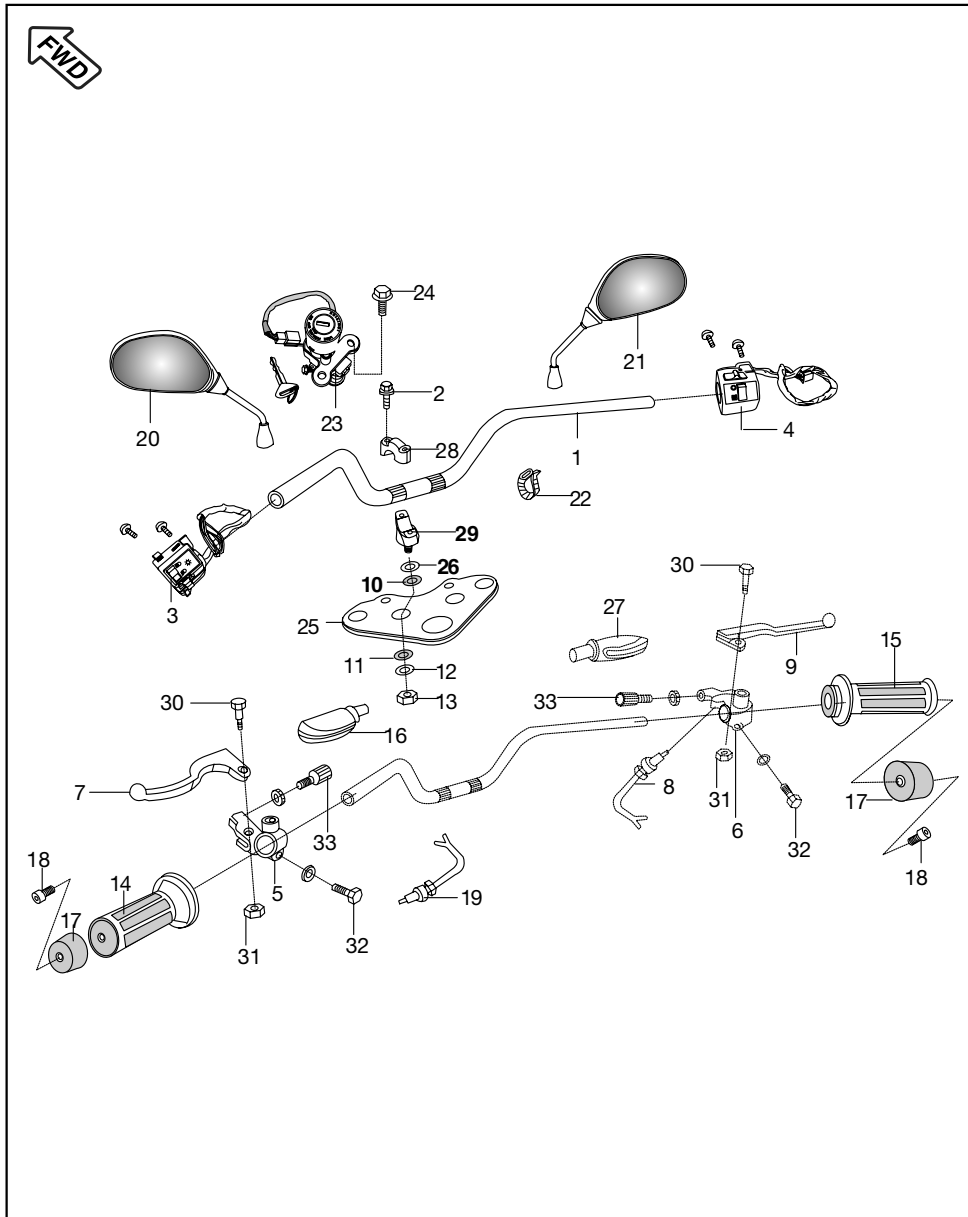
No.	Part No.	Description	ES Disc	ES Drum	KS Drum	Remarks
1	JW 1610 00	Brake Pedal	1	1	1	
2	JA 1610 03	Pad Brake Lever (PVC)	1	1	1	
3	JW 1610 02	Rod Brake	1	1	1	
4	JW 1220 04	Rod Torque	1	1	1	
5	DH 1510 29	Step Bolt	1	1	1	
6	39 1540 11	Plain Washer	1	1	1	
7	39 0694 15	Hex. Lock Nut	2	2	2	
8	39 0789 12	Washer Spring	2	2	2	
9	39 0807 08	Pin Snap	2	2	2	
10	DS 1910 35	Packing Brake Rod	1	1	1	
11	30 1510 95	Hex Bolt	1	1	1	
12	JB 1610 04	Brake Pedal Spring	1	1	1	
13	36 JW00 15	Brake Adjusting Kit	1	1	1	Refer Page No.114

Handle Bar



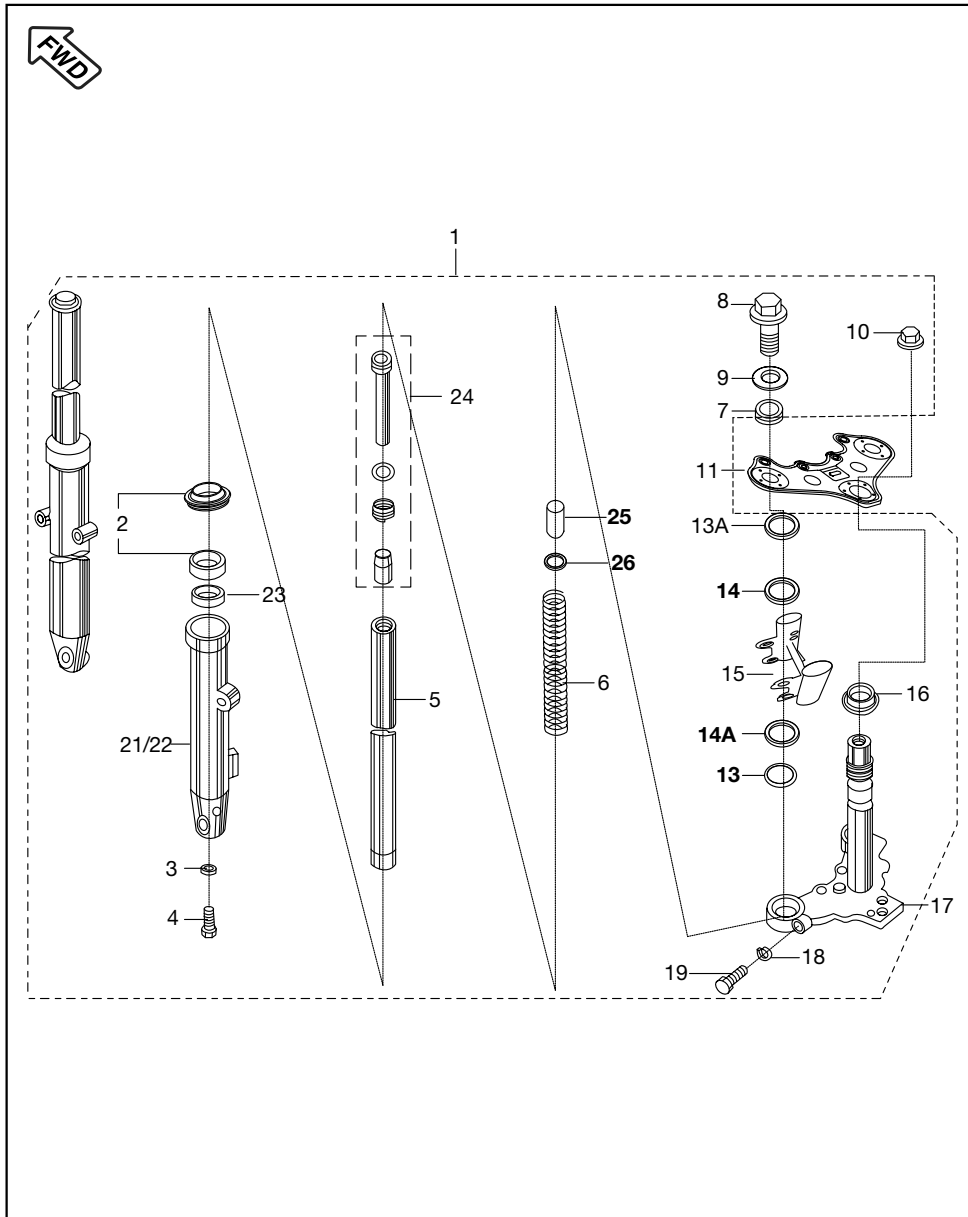
No.	Part No.	Description	ES Disc	ES Drum	KS Drum	Remarks
1	DS 1810 44	Handle	1	1	1	
2	39 1714 04	Flanged Bolt	4	4	4	
3	JB 4014 00	Control Switch LH	1	1	1	
4	JB 4014 01	Control Switch RH	1	1	--	
	DU 2010 18	Control Switch RH	--	-	1	
5	DS 1910 38	Holder LH	1	1	1	
6	DJ 1910 54	Holder RH	1	1	1	
7	DJ 1910 55	Lever Grip Left	1	1	--	
	DX 1910 08	Lever Grip Left	-	-	1	
8	29 2011 17	Front Brake Switch	1	1	1	
9	DJ 1910 06	Lever Brake RH	1	--	-	
	DD 1911 42	Lever Brake RH	--	1	1	
10	DS 1810 08	Damper Handle Upper	2	2	2	
11	DS 1810 09	Damper Handle Lower	2	2	2	
12	DS 1810 10	Washer Handle Lower	2	2	2	
13	39 2249 15	Nylock Nut	2	2	2	
14	DS 1910 15	Grip LH	1	1	1	
15	DS 1910 16	Grip Rh	1	1	1	
16	DS 1910 52	Lever Boot LH	1	1	1	
17	DH 1810 22	Handle Bar Weight	2	2	2	
18	39 2427 04	Hex. Soc. Head Cap Screw	2	2	2	
19	JB 4014 09	Clutch Switch	1	1	1	
20	DJ 2210 03	Mirror Assly. LH	1	1	1	

Handle Bar



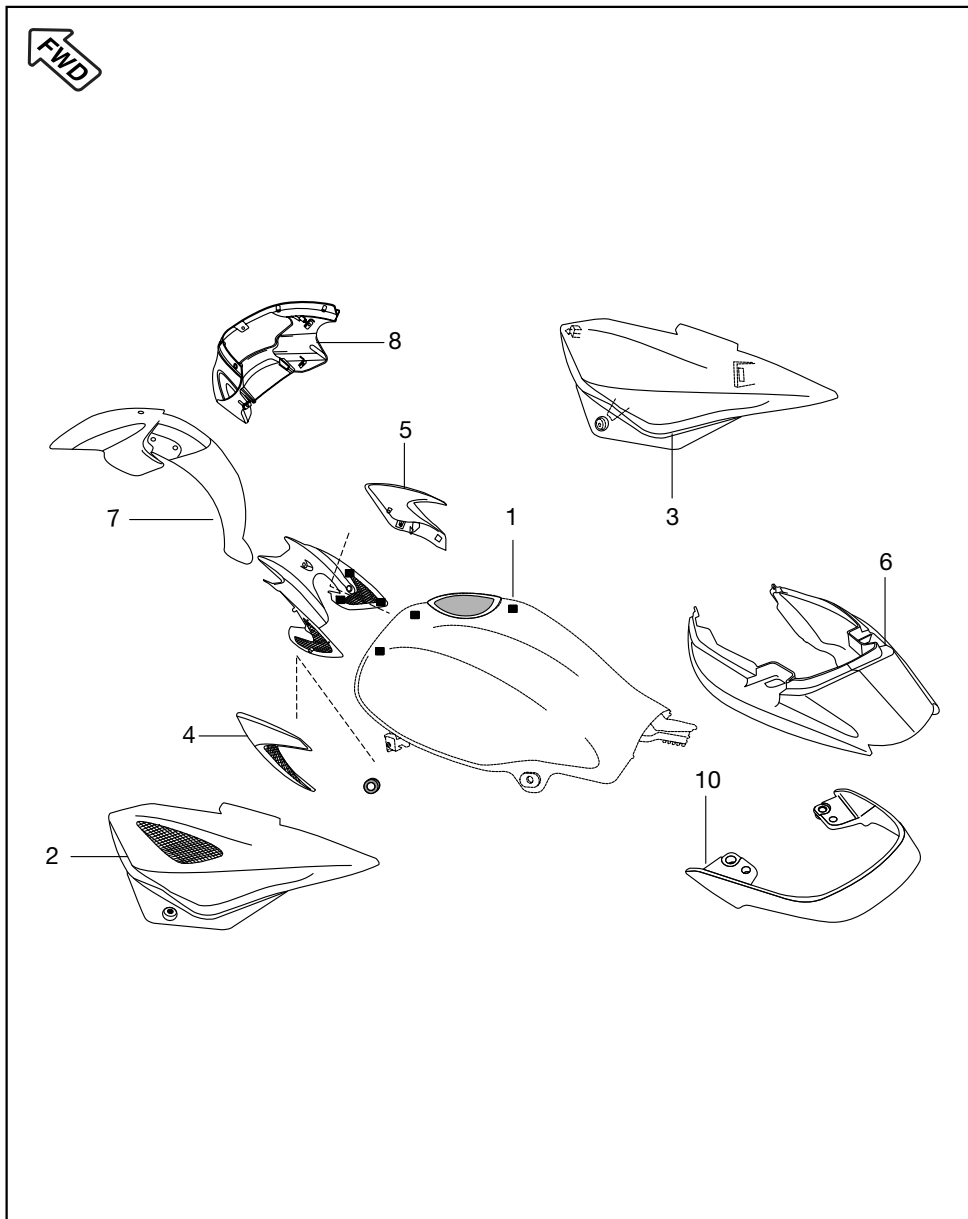
No.	Part No.	Description	ES Disc	ES Drum	KS Drum	Remarks
21	DJ 2210 04	Mirror Assly. RH	1	1	1	
22	30 1910 48	Band	2	2	2	
23	JB 4014 02	Switch Assly. Ignition	1	1	1	
24	39 1943 04	Flange Bolt	2	2	2	
25	JW 1510 01	Holder Fork Upper	1	1	1	
26	DS 1810 07	Washer Handle Upper	2	2	2	
27	DS 1910 18	Boot for Lever RH	1	1	1	
28	DS 1810 06	Handle Holder	2	2	2	
29	DS 1810 19	Handle Holder	2	2	2	
30	DL 1910 14	Stud Lever-Handle	2	2	2	
31	39 1184 15	Nut Nyloc	2	2	2	
32	39 1553 04	Blot Flange M6	2	2	2	
33	DD 1911 47	Screw	2	2	2	

Front Fork



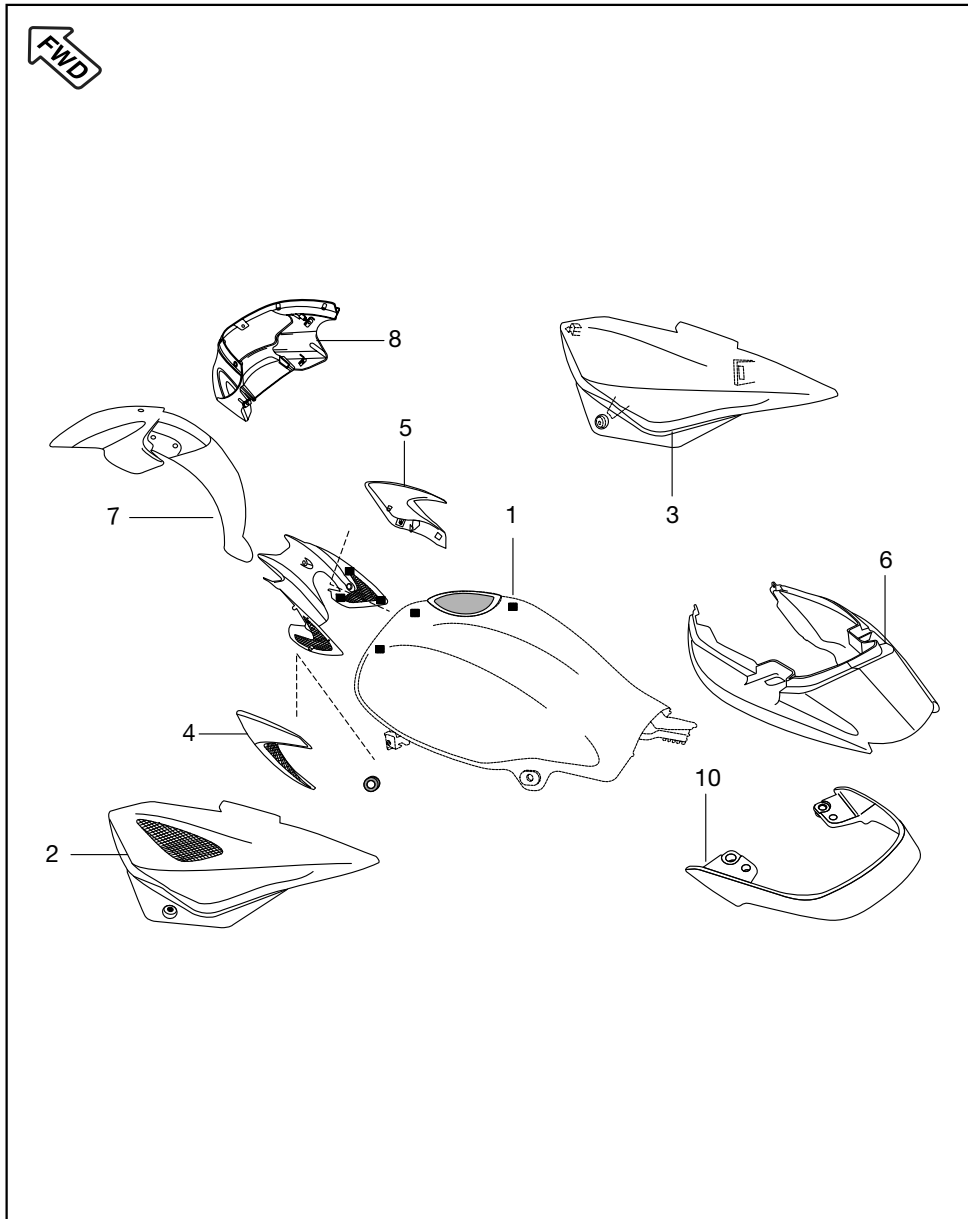
No.	Part No.	Description	ES Disc	ES Drum	KS Drum	Remarks
1	JW 1510 02	Fork front (Drum)	--	1	1	
	JW 1510 03	Front Fork (Disc)	1	-	-	
2	36 DZ00 20	Front fork seal kit	1	1	1	
3	30 1810 26	Gasket	2	2	2	
4	30 1810 25	Bolt	2	2	2	
5	JA 1510 13	Fork Pipe Inner	2	2	2	
6	DJ 1811 04	Spring front fork	2	2	2	
7	DH 1810 09	Grommet Top	2	2	2	
8	DS 1810 12	Bolt fork	2	2	2	
9	DS 1810 18	Washer	2	2	2	
10	DS 1810 15	Cap Nut Fork	1	1	1	
11	JW 1510 01	Holder fork upper	1	1	1	
12	DG 1810 08	Socket Bolt	2	2	2	N.I.
13	DJ 1810 85	Cushion Rubber	2	2	2	
13A	DS 1810 17	Nylon spacer	2	2	2	
14	DJ 1810 51	Cover Trail A	2	2	2	
14A	DJ 1810 52	Cover Trail B	2	2	2	
15	JW 1510 08	Lamp Shade assly	1	1	1	
16	DH 1810 23	Bearing cone	1	1	1	
17	JA 1510 03	Holder fork under	1	1	1	
18	39 0789 12	Spring washer	2	2	2	
19	39 1714 04	Bolt	2	2	2	
20	JW 1510 25	Outer Tube LH (Drum)	--	1	1	
	JW 1510 27	Outer Tube LH (Disc)	1	--	--	
22	JW 1510 26	Outer Tube RH (Drum)	--	1	1	
	JW 1510 28	Outer Tube RH (Disc)	1	--	--	
23	JK 1210 07	Anti Friction Bush	2	2	2	
24	JW 1510 23	Cylinder Complete Fork	2	2	2	
25	JW 1510 29	Nylon Spacer Tube	1	1	1	
26	DS 1810 16	Washer	1	1	1	

Painted Parts and Decals



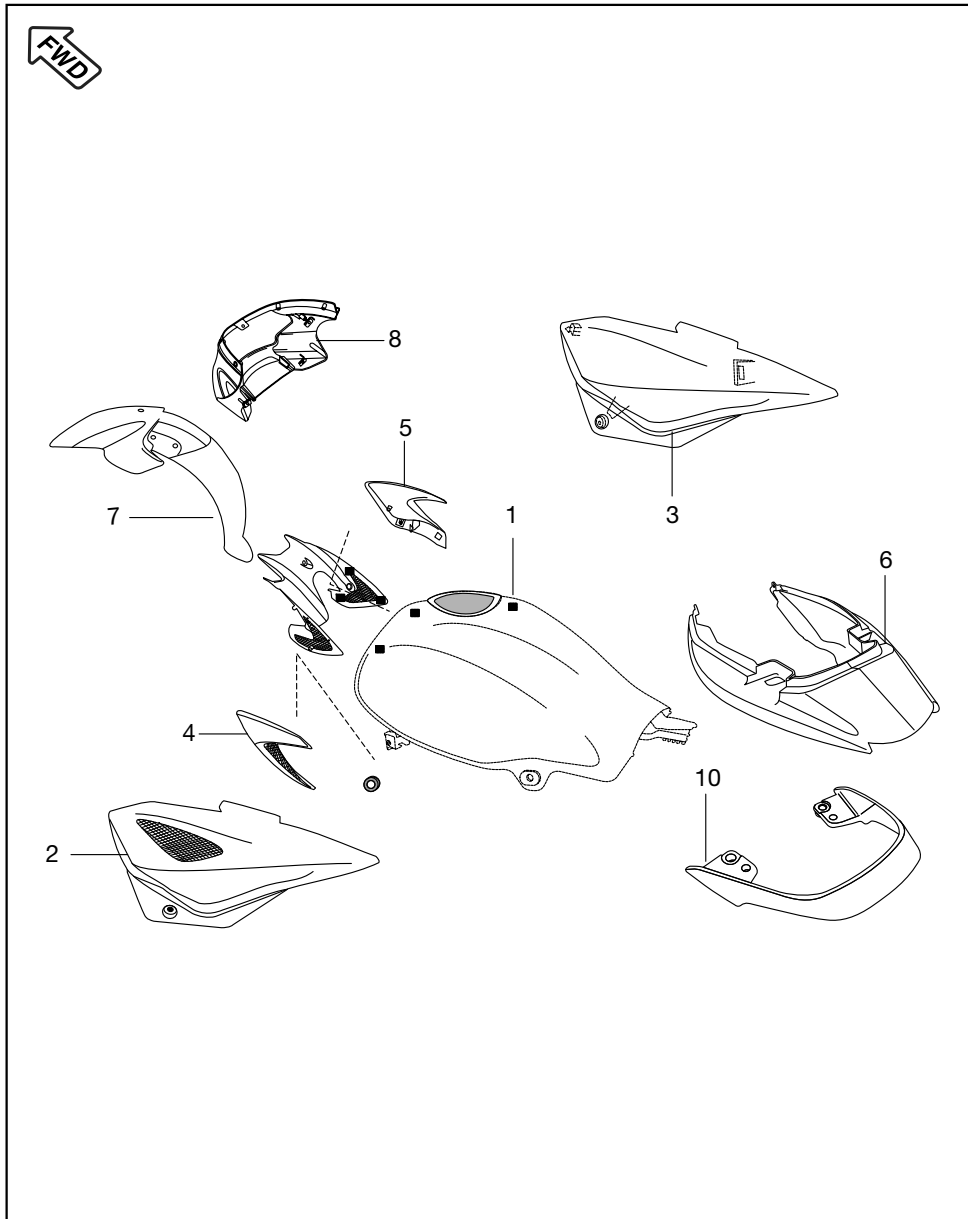
No.	Part No.	Description	ES Disc	ES Drum	KS Drum	Remarks
1	JW 7101 3A	Fuel Tank with Decal	1	1	1	Long Beach Blue
	JW 7101 3H	Fuel Tank with Decal	1	1	1	Jet Black with Blue Decal
	JW 7101 3J	Fuel Tank with Decal	1	1	1	Jet Black with Red Decal
	JW 7101 4J	Fuel Tank with Decal	1	1	1	Jet Black with Green Decal
	JW 7101 X4	Fuel Tank with Decal	1	1	1	Flame Red
2	JW 7301 3A	Side Cover LH	1	1	1	Long Beach Blue
	JW 7301 3H	Side Cover LH	1	1	1	Jet Black with Blue Decal
	JW 7301 3J	Side Cover LH	1	1	1	Jet Black with Red Decal
	JW 7301 4J	Side Cover LH	1	1	1	Jet Black with Green Decal
	JW 7301 X4	Side Cover LH	1	1	1	Flame Red
3	JW 7302 3A	Side Cover RH	1	1	1	Long Beach Blue
	JW 7302 3H	Side Cover RH	1	1	1	Jet Black with Blue Decal
	JW 7302 3J	Side Cover RH	1	1	1	Jet Black with Red Decal
	JW 7302 4J	Side Cover RH	1	1	1	Jet Black with Green Decal
	JW 7302 X4	Side Cover RH	1	1	1	Flame Red

Painted Parts and Decals



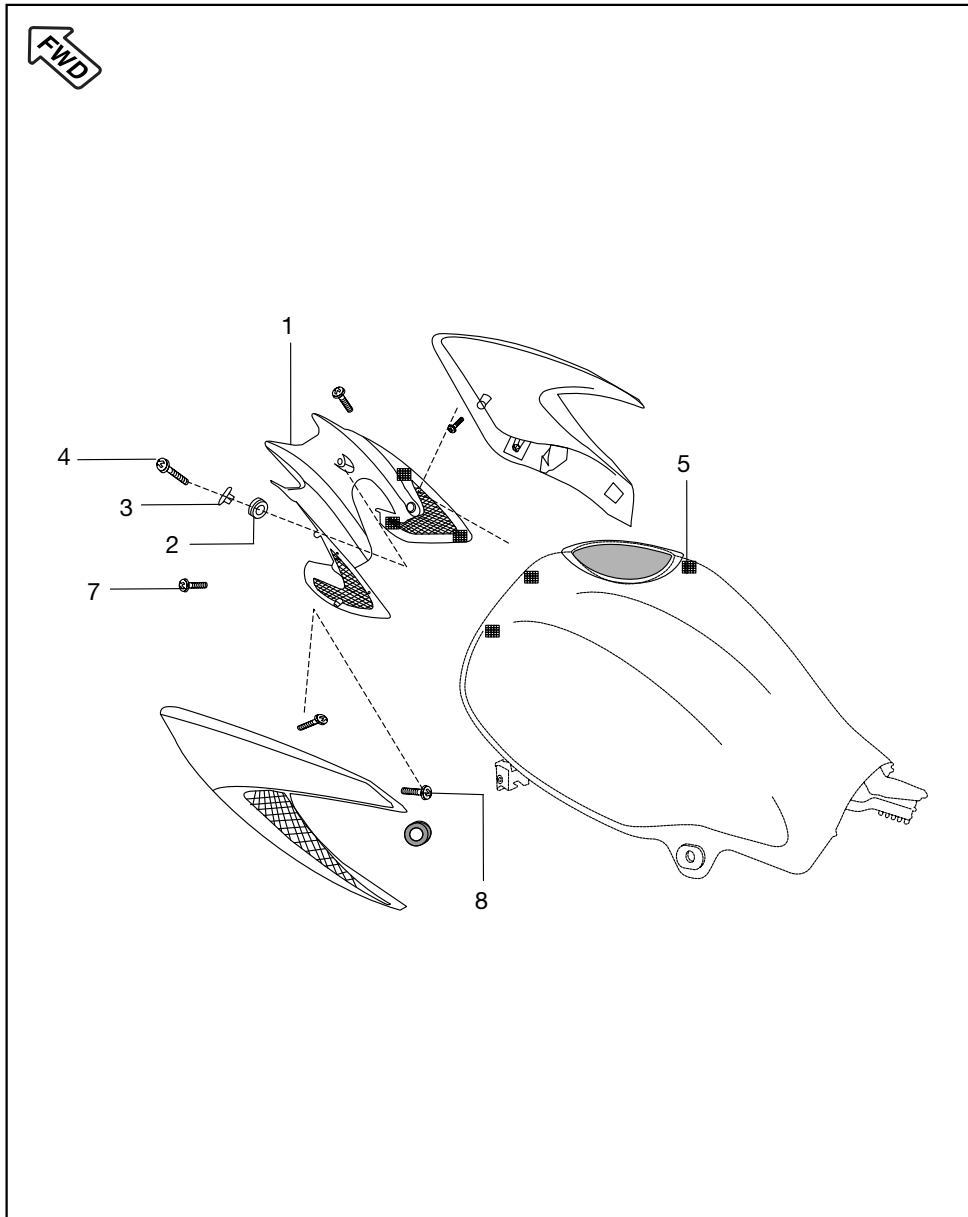
No.	Part No.	Description	ES Disc	ES Drum	KS Drum	Remarks
4	JW 7309 3A	Spoiler LH with Decal	1	1	1	Long Beach Blue
	JW 7309 3H	Spoiler LH with Decal	1	1	1	Jet Black with Blue Decal
	JW 7309 3J	Spoiler LH with Decal	1	1	1	Jet Black with Red Decal
	JW 7309 4J	Spoiler LH with Decal	1	1	1	Jet Black with Green Decal
	JW 7309 X4	Spoiler LH with Decal	1	1	1	Flame Red
5	JW 7310 3A	Spoiler RH with Decal	1	1	1	Long Beach Blue
	JW 7310 3H	Spoiler RH with Decal	1	1	1	Jet Black with Blue Decal
	JW 7310 3J	Spoiler RH with Decal	1	1	1	Jet Black with Red Decal
	JW 7310 4J	Spoiler RH with Decal	1	1	1	Jet Black with Green Decal
	JW 7310 X4	Spoiler RH with Decal	1	1	1	Flame Red
6	JW 7303 3A	Seat Cowl Assembly	1	1	1	Long Beach Blue
	JW 7303 3H	Seat Cowl Assembly	1	1	1	Jet Black with Blue Decal
	JW 7303 3J	Seat Cowl Assembly	1	1	1	Jet Black with Red Decal
	JW 7303 4J	Seat Cowl Assembly	1	1	1	Jet Black with Green Decal
	JW 7303 X4	Seat Cowl Assembly	1	1	1	Flame Red

Painted Parts and Decals



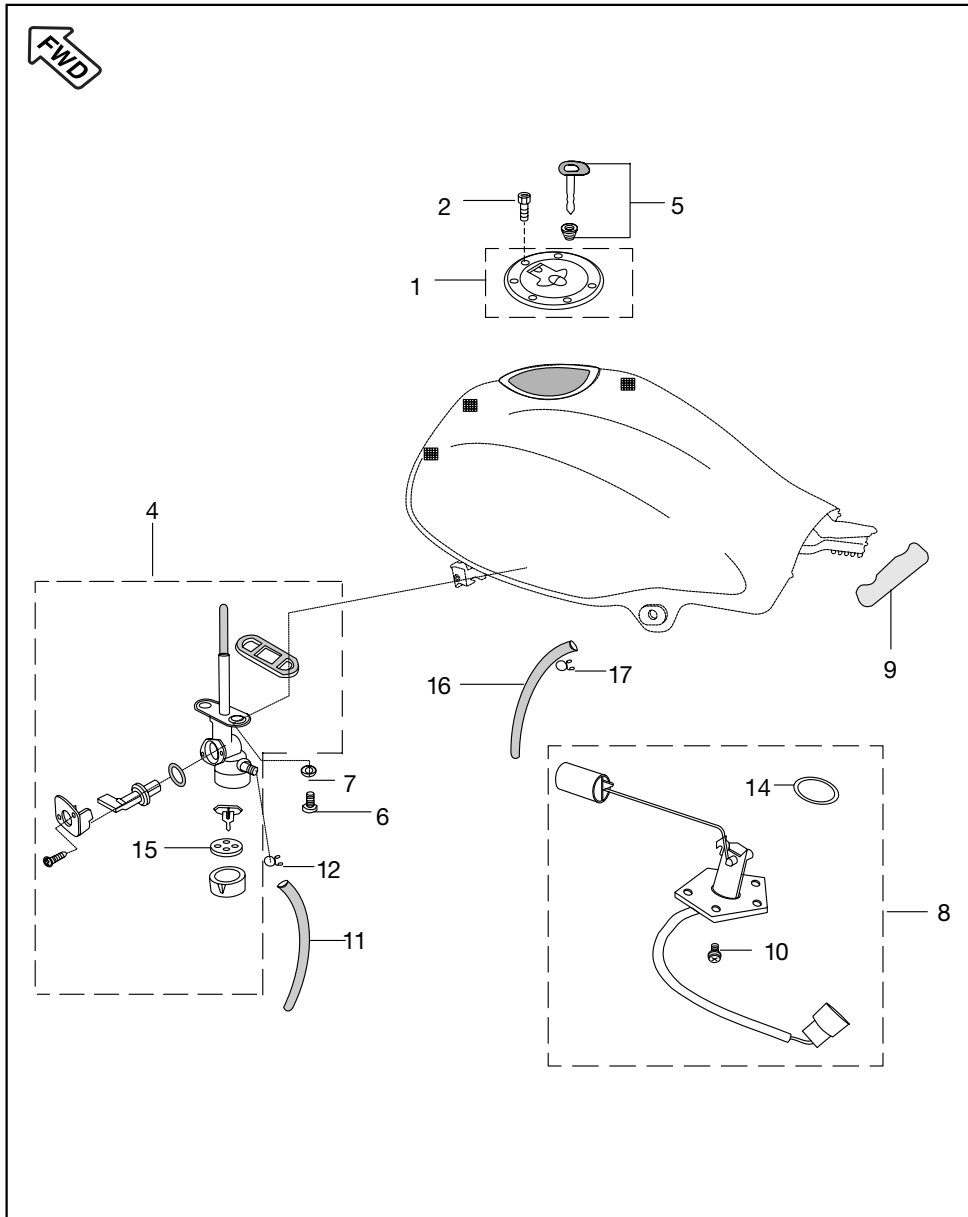
No.	Part No.	Description	ES Disc	ES Drum	KS Drum	Remarks
7	JW 7306 3A	Fender Front	1	1	1	Long Beach Blue
	JW 7306 22	Fender Front	1	1	1	Jet Black
	JW 7306 X4	Fender Front	1	1	1	Flame Red
8	52 JW00 38	Fairing Head Lamp Cowling	1	1	1	Long Beach Blue
	52 JW00 36	Fairing Head Lamp Cowling	1	1	1	Jet Black with Blue Decal
	52 JW00 37	Fairing Head Lamp Cowling	1	1	1	Jet Black with Red Decal
	52 JW00 39	Fairing Head Lamp Cowling	1	1	1	Jet Black with Green Decal
	52 JW00 45	Fairing Head Lamp Cowling	1	1	1	Flame Red
9	36 JW00 01	Decal Kit	1	1	1	Long Beach Blue
	36 JW00 02	Decal Kit	1	1	1	Jet Black With Blue Decal
	36 JW00 03	Decal Kit	1	1	1	Jet Black With Red Decal
	36 JW00 04	Decal Kit	1	1	1	Jet Black With Green Decal
	36 JW00 15	Decal Kit	1	1	1	Flame Red
10	JW 2314 01	Grab Handle with Foam	1	1	1	

Petrol Tank Spoiler



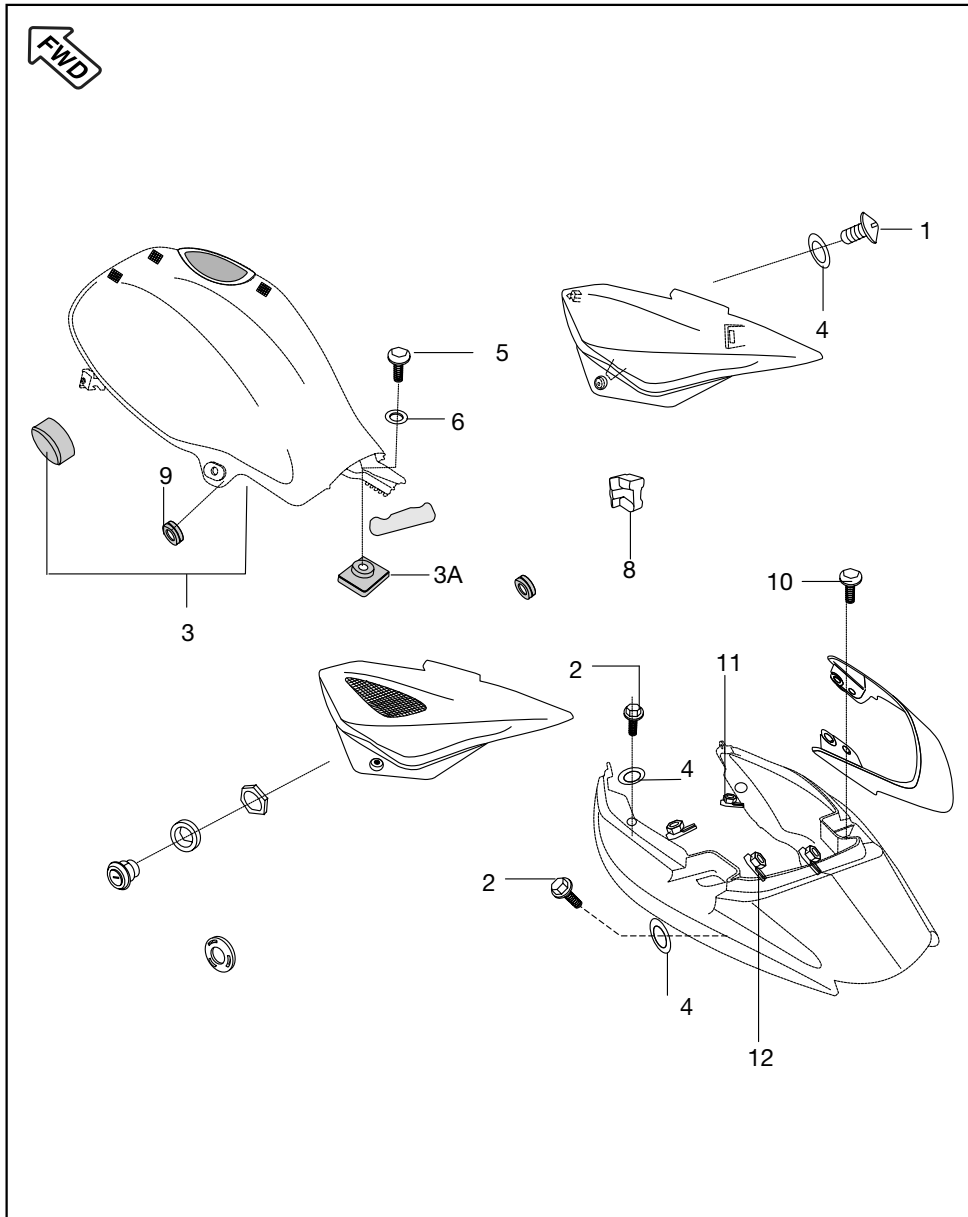
No.	Part No.	Description	ES Disc	ES Drum	KS Drum	Remarks
1	52 JW00 25	Central Spoiler	1	1	1	
2	JW 1710 14	Grommet Central Spoiler	3	3	3	
3	JW 1710 15	Collar Spoiler	3	3	3	
4	JD 1710 16	Round Head Screw	1	1	1	
5	JW 1710 07	Dual lock Tape 15x20	4	4	4	
6	JD 1710 18	Dual Lock Tape 10x20	10	10	10	
7	JW 1710 16	Screw	2	2	2	For Fitting Central Spoiler
8	59 0200 01	Screw	12	12	12	

Petrol Tank, Cap Tank and Gauge Fuel



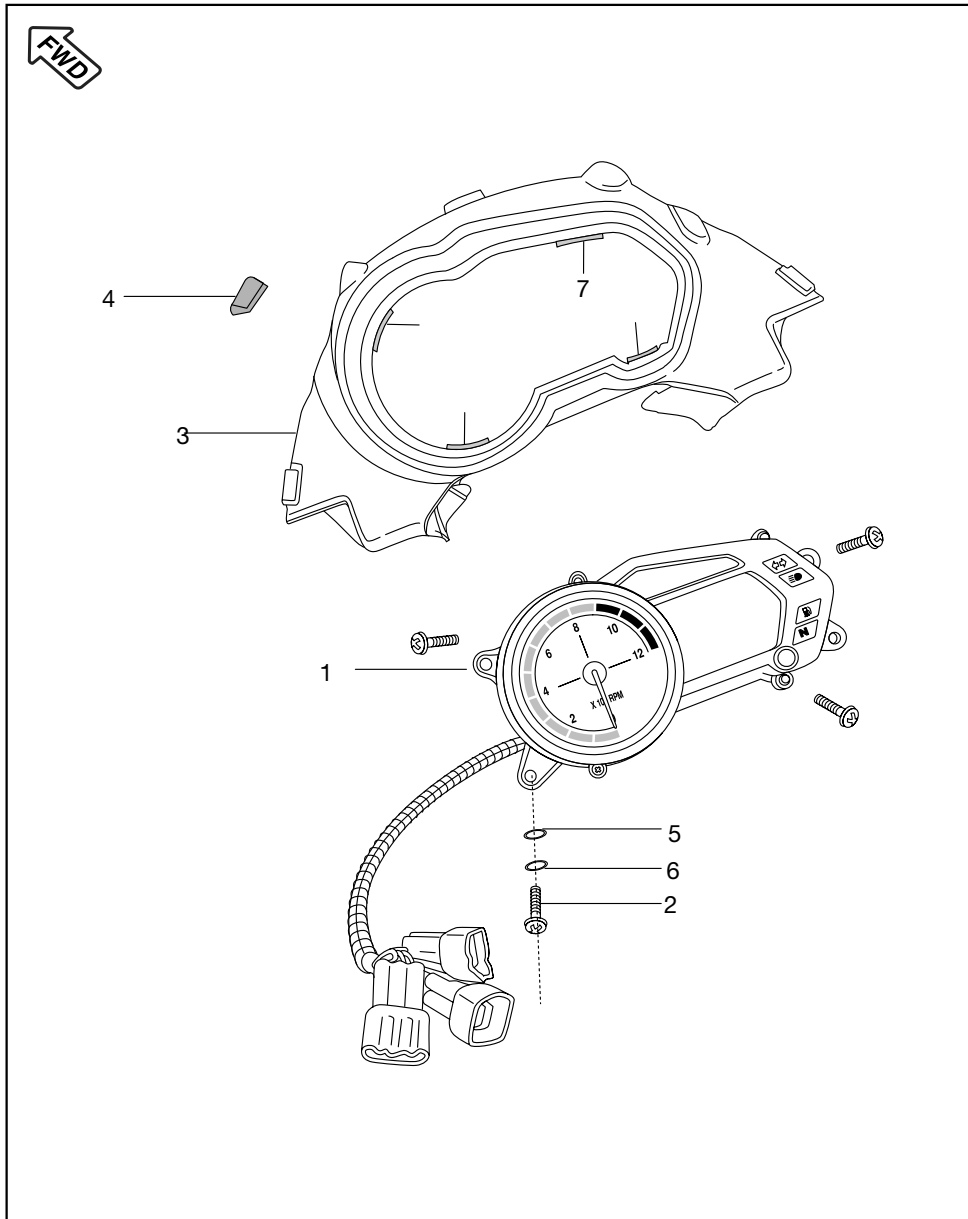
No.	Part No.	Description	ES Disc	ES Drum	KS Drum	Remarks
1	JD 1716 00	Cap Assly. Tank	1	1	1	
2	39 2381 04	Socket Head Bolt	6	6	6	
4	JB 1718 00	Fuel Tap Assly	1	1	1	
5	JW 2326 01	3 in 1 Lock Set with Key	1	1	1	
6	DD 1410 22	Bolt Flanged	2	2	2	
7	39 0740 11	Washer (Non-Metallic)	2	2	2	
8	JD 4026 00	Gauge Fuel	1	1	1	
9	JW 1710 27	Seat Tape	1	1	1	
10	30 1410 32	Nut	4	4	4	
11	JA 1718 01	Tube Fuel	1	1	1	
12	30 1410 15	Pipe Clip	1	1	1	
13	30 1410 31	'O' Ring	2	2	2	
14	39 2758 21	'O' Ring	1	1	1	
15	DZ 1410 75	4 Hole Washer	1	1	1	
16	JW 1710 26	Drain Pipe	1	1	1	
17	DJ 1410 02	Clamp	1	1	1	

Fittings - Petrol Tank, Side Covers & Cover Seat



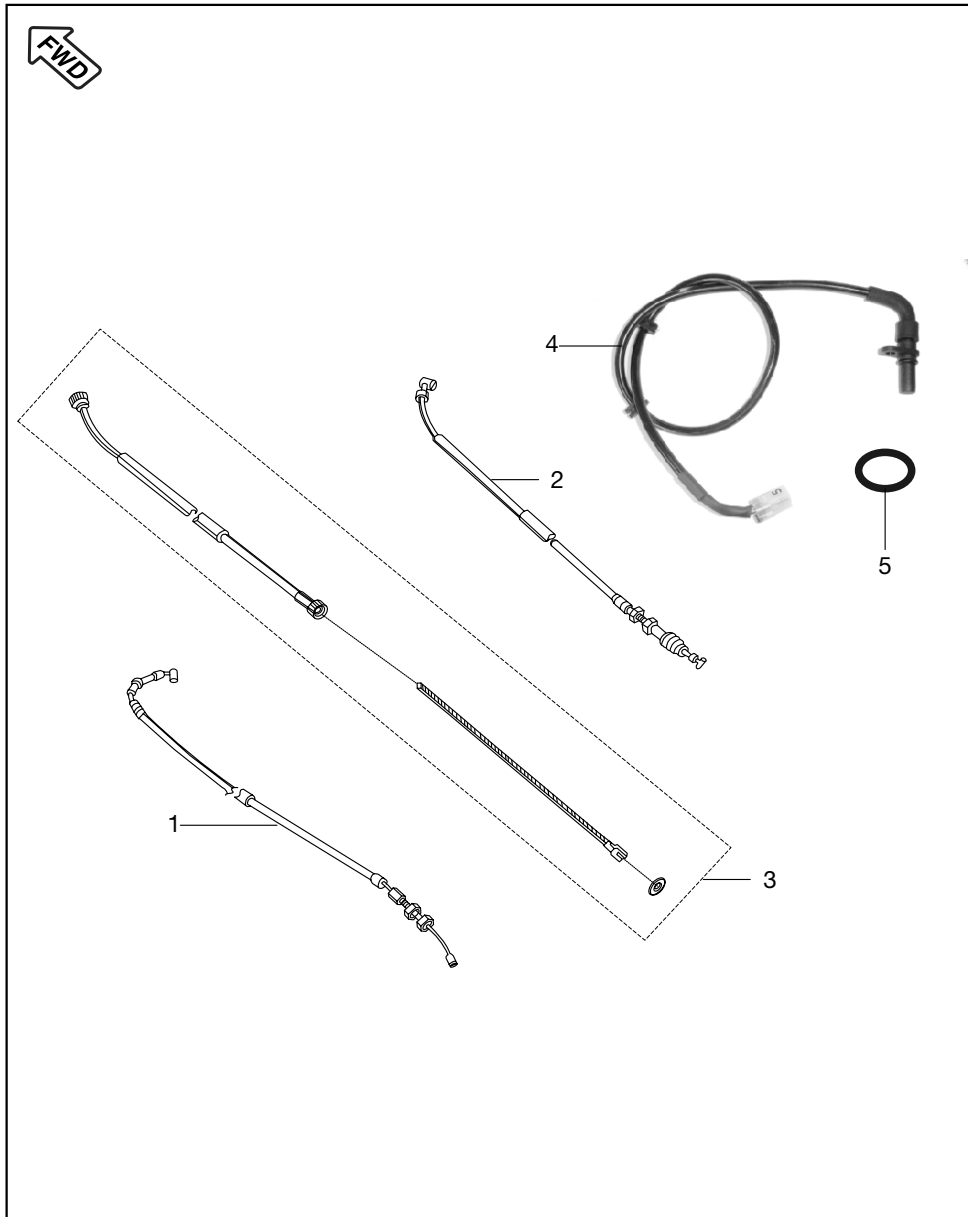
No.	Part No.	Description	ES Disc	ES Drum	KS Drum	Remarks
1	DG 1611 21	Screw	1	1	1	
2	39 1943 04	Flanged Bolt	4	4	4	
3	36 DS14 02	Damper Kit Petrol Tank	1	1	1	Refer Page No. 114
3A	JW 1710 17	Damper Rear	1	1	1	
4	39 1789 24	Washer Nylon	5	5	5	
5	JW 1110 25	Bolt Socket	1	1	1	
6	39 1054 11	Plain Washer	1	1	1	
7	JC 1410 17	Rubber Grommet for Tank	2	2	2	
8	JW 1610 17	Grommet Side Cover Rear	2	2	2	
9	DS 1410 12	Grommet Side Cover Front	2	2	2	
10	39 1946 04	Blot Flange	4	4	4	
11	35 1610 60	Clip Nut	2	2	2	For LH & RH
12	JW 1812 36	Clip Nut	2	2	2	For Central

Meter Assembly



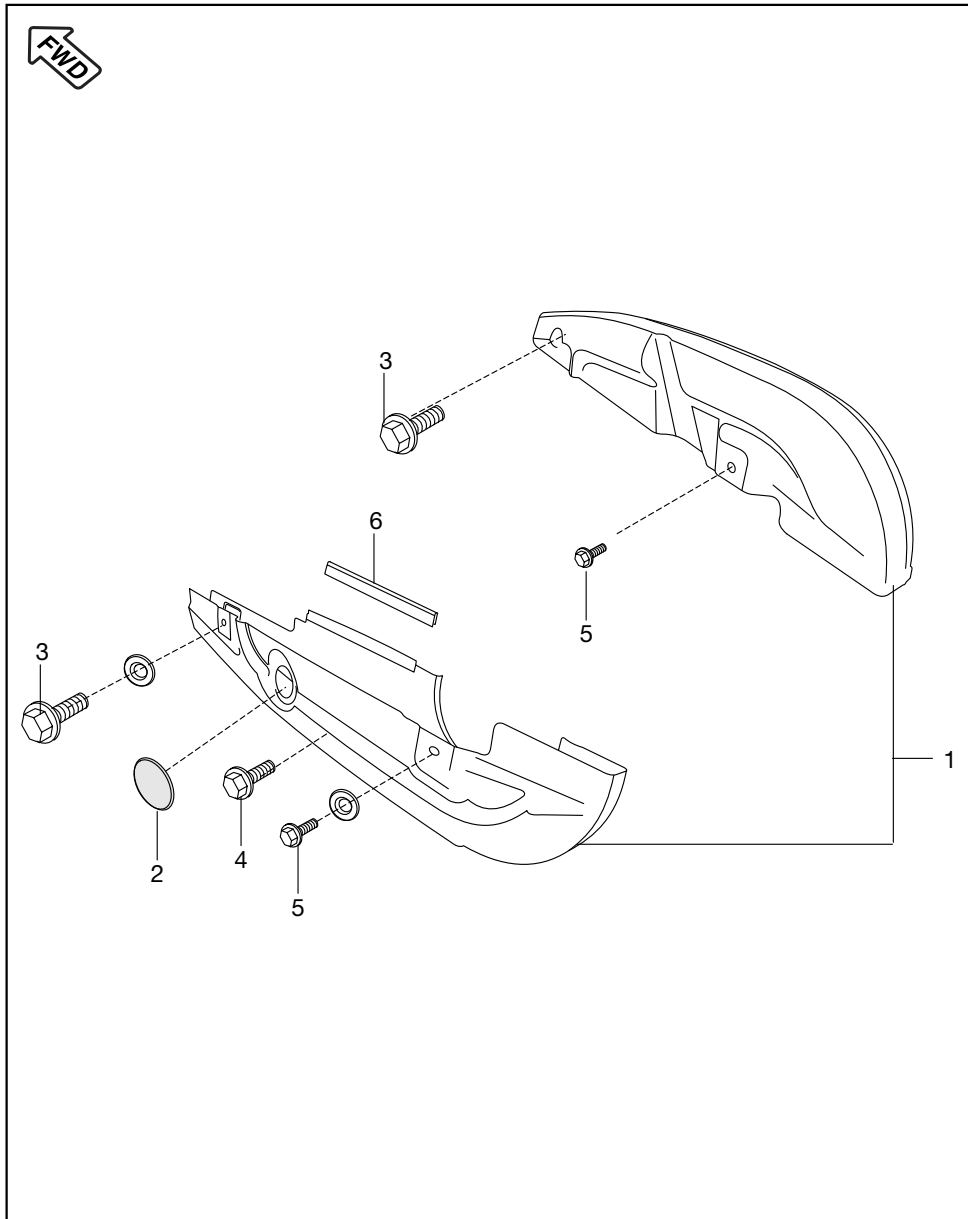
No.	Part No.	Description	ES Disc	ES Drum	KS Drum	Remarks
1	JW 4024 00	Digital Speedometer	1	1	1	
2	JW 1812 30	Screw Pan Head	4	4	4	
3	JW 1812 01	Flap Speedo	1	1	1	
4	JB 1812 23	Beading Flap	4	4	4	
5	39 0197 11	Spring Washer	4	4	4	
6	39 0790 12	Plain Washer	4	4	4	
7	JN 1810 29	Foam Speedo	4	4	4	

Control Cables



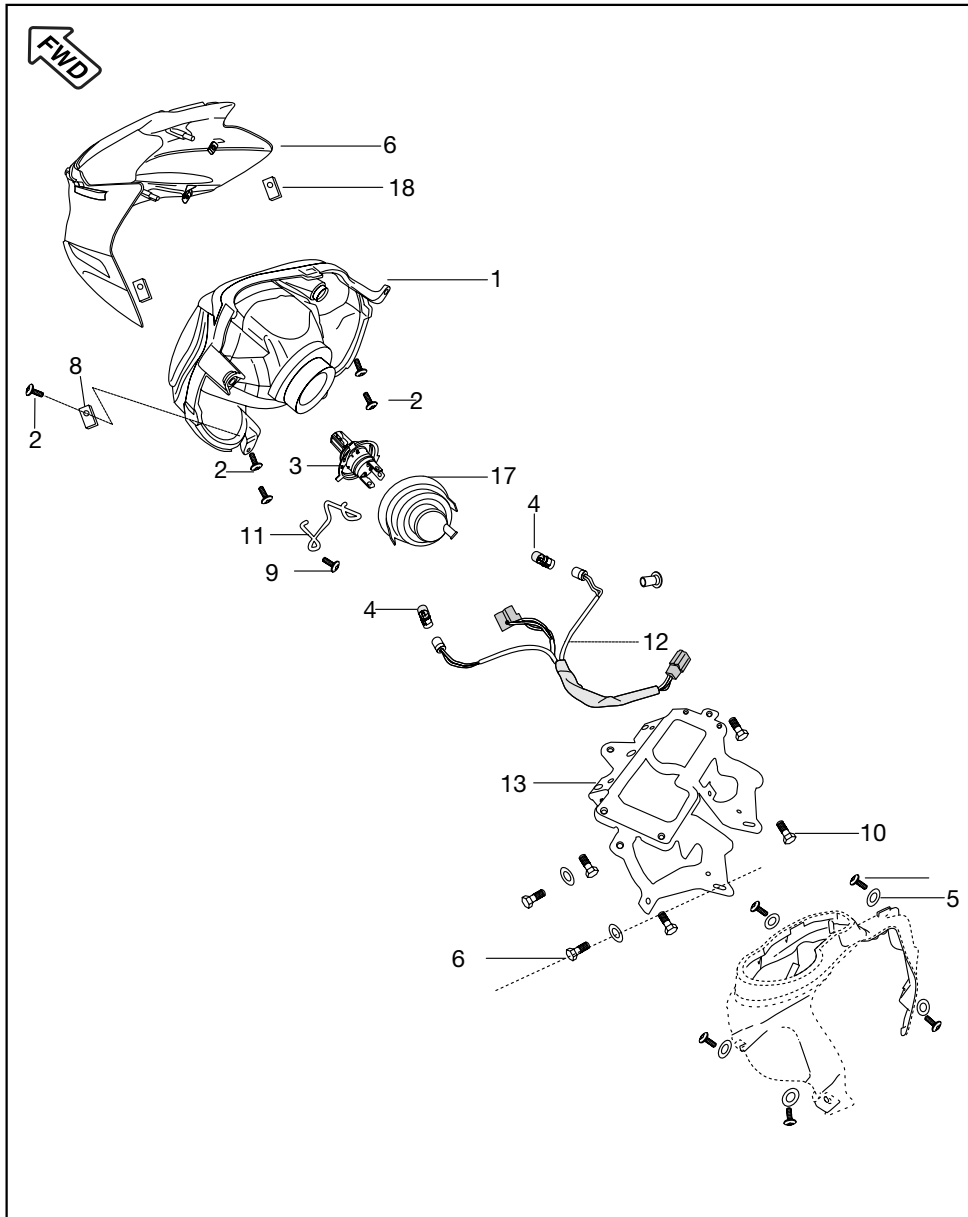
No.	Part No.	Description	ES Disc	ES Drum	KS Drum	Remarks
1	JB 1612 04	Cable Accelerator	1	1	1	For Ucal
2	JA 1612 01	Cable Clutch	1	1	1	
3	JA 1612 03	Brake Cable	1	1	1	
4	JB 4024 01	Speed Sensor (Drum)	--	1	1	
	DJ 2011 83	Speed Sensor (Disc)	1	-	--	
5	JB 1310 23	'O' Ring Speed Sensor (Drum)	--	1	1	
	59 2100 19	'O' Ring Speed Sensor (Disc)	1	-	-	

Chain Case



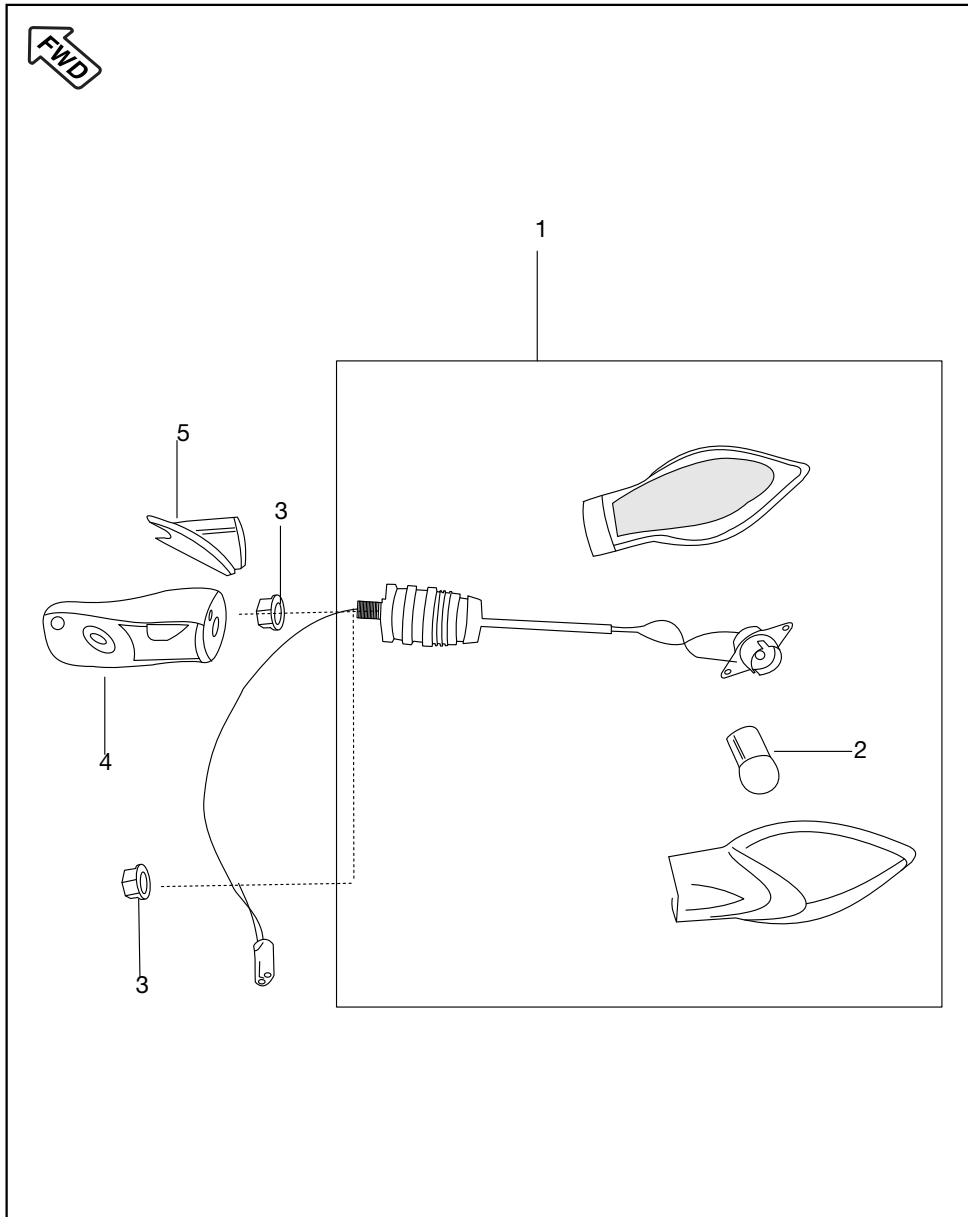
No.	Part No.	Description	ES Disc	ES Drum	KS Drum	Remarks
1	36 JW00 12	Case Chain Kit	1	1	1	Refer Page No. 114
2	15 1610 69	Rubber Cap	1	1	1	
3	JB 1812 20	Flange Bolt	2	2	2	
4	JB 1812 21	Flange Bolt	1	1	1	
5	JB 1812 39	Bolt Flange	2	2	2	
6	DF 1614 15	Rubber Beading	1	1	1	
7	JW 1812 38	Packing Chain Case Top	1	1	1	Integral With locking pad

Head Lamp & Fairing



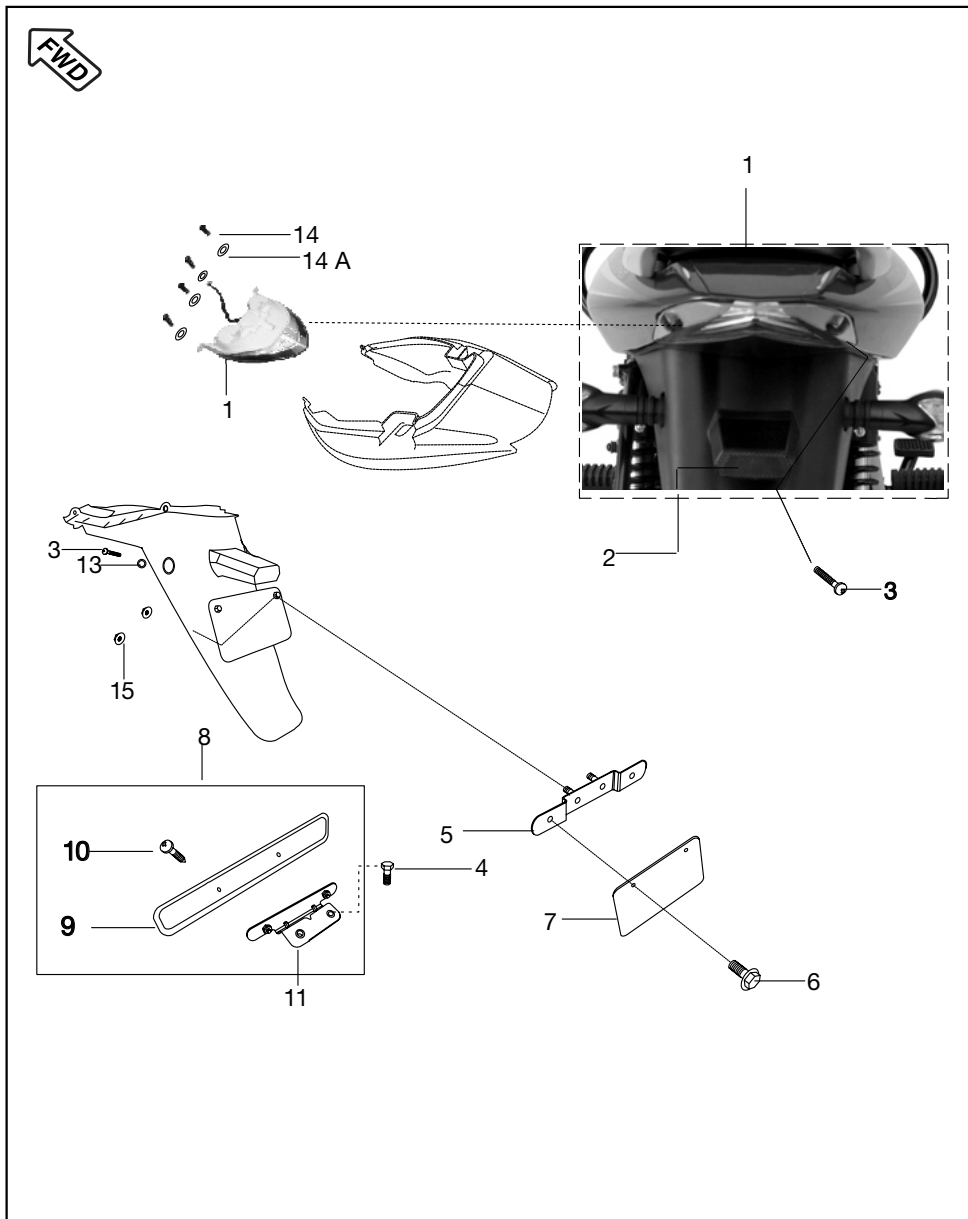
No.	Part No.	Description	ES Disc	ES Drum	KS Drum	Remarks
1	JW 4010 01	Head Lamp Without Bulb	1	1	1	
2	39 1778 02	Self Tapping Screw	4	4	4	For Securing Head Lamp Assly
3	CL 2010 23	Lamp 12V 35/35W-HS1	1	1	1	
4	DJ 2010 72	Lamp 12V 5W	2	2	2	
5	39 2141 24	Washer	5	5	5	
6	JW 1812 32	Flange Bolt	4	4	4	
7	JW 1812 29	Plain Washer	6	6	6	
8	DJ 1810 65	Clip Nut	4	4	4	
9	39 0716 01	Screw	1	1	1	
10	JW 1812 28	Flange Bolt	4	4	4	
11	DS 2010 36	Head Lamp Bulb Clip	1	1	1	
12	DS 2010 39	Head Lamp Harness Branch	1	1	1	
13	JW 1510 09	Head Lamp Mounting Bracket	1	1	1	
14	JB 1510 12	Grommet Fairing Mounting	4	4	4	
15	JB 1510 13	Sleeve Fairing Mounting	4	4	4	
16	JW 1812 34	Packing Fairing	1	1	1	
17	JB 4010 20	Cap Head Lamp Bulb Holder	1	1	1	
18	35 1610 60	Clip Nut	2	2	2	
19	JW 1812 31	Screw	5	5	5	For Speedo Flap

Indicator Light Assembly



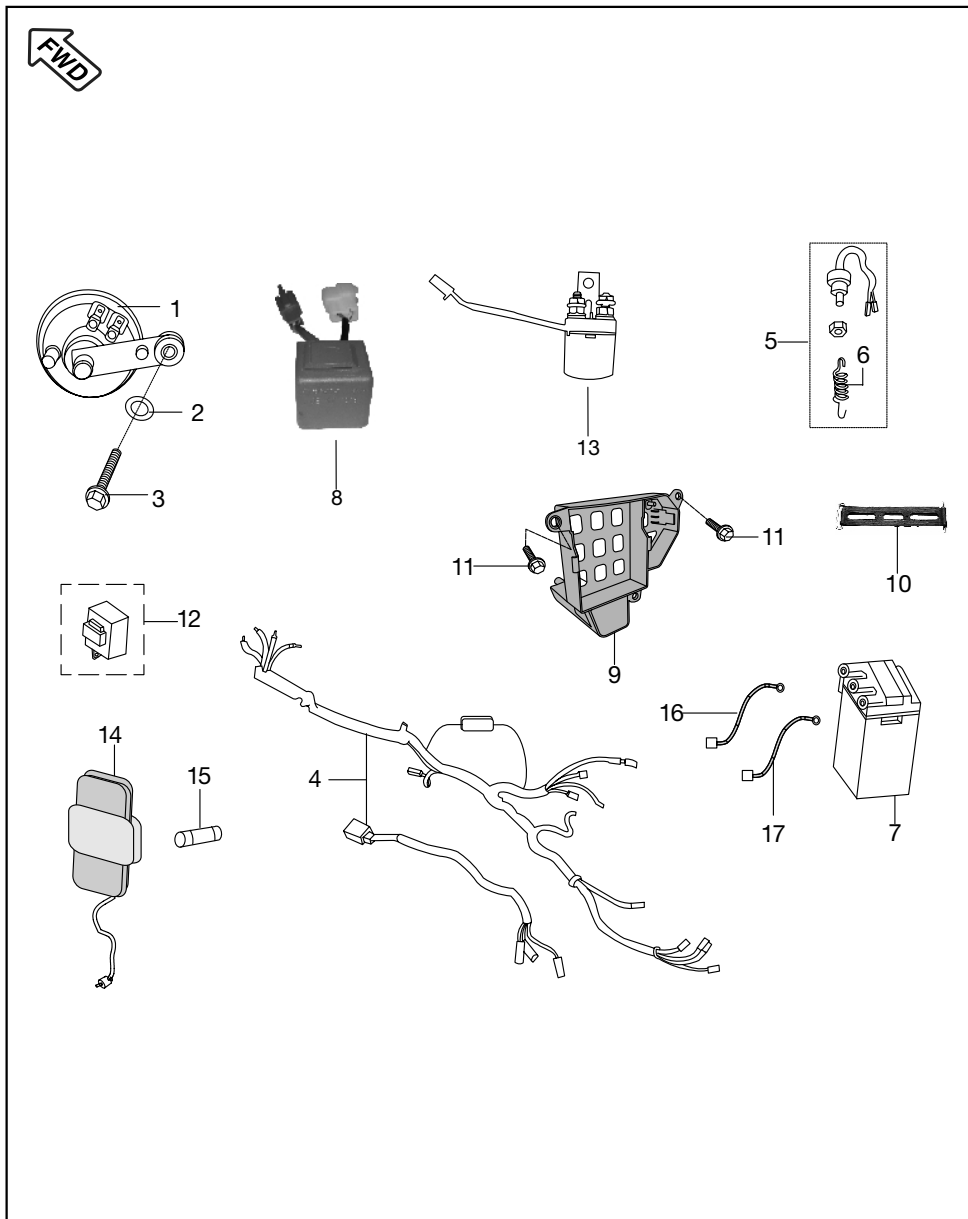
No.	Part No.	Description	ES Disc	ES Drum	KS Drum	Remarks
1	JD 4010 05	Indicator Front LH	1	1	1	
	JD 4010 06	Indicator Front RH	1	1	1	
	JD 4010 03	Indicator Rear LH	1	1	1	
	JD 4010 04	Indicator Rear RH	1	1	1	
2	GH 2010 12	Lamp 12V 10W (Amber)	4	4	4	For Indicator
3	39 1225 15	Hex Nut / Flange (M10)	4	4	4	
4	JD 1510 08	Bracket indicator FR Mtg LH	1	1	1	
	JD 1510 09	Bracket indicator FR Mtg RH	1	1	1	
5	JD 1510 11	Cover Blinker Mtg RH	1	1	1	
	JD 1510 10	Cover Blinker Mtg LH	1	1	1	

Tail Lamp Assly / Front Number Plate



No.	Part No.	Description	ES Disc	ES Drum	KS Drum	Remarks
1	JW 4010 04	Tail Light Assembly Lamp	1	1	1	
2	JW 4010 11	Lamp Assly for Rear Number Plate	1	1	1	
3	39 0705 01	Screw	2	2	2	
4	39 2140 04	Bolt Flange	2	2	2	
5	DJ 1610 72	Bracket Rear Number Plate	1	1	1	
6	39 2476 04	Bolt Flange	2	2	2	
7	DP 1611 45	Number Plate Rear	1	1	1	
8	JW 2328 00	Number Plate Assly	1	1	1	
9	DP 1611 44	Number Plate Front	1	1	1	
10	39 1783 01	Truss Screw (for Front Number Plate)	2	2	2	
11	JW 2328 01	Front Number Plate Mounting Bracket	1	1	1	
12	39 0711 11	Washer	2	2	2	For Illumination Lamp
13	39 0705 01	Screw	2	2	2	For Illumination Lamp
14	39 0757 01	Screw	4	4	4	For Tail Lamp Fitting
14A	39 2141 24	Washer Non Metallic	4	4	4	
15	39 2124 15	Nut For Rear Number Plate	2	2	2	

Electrical Equipments



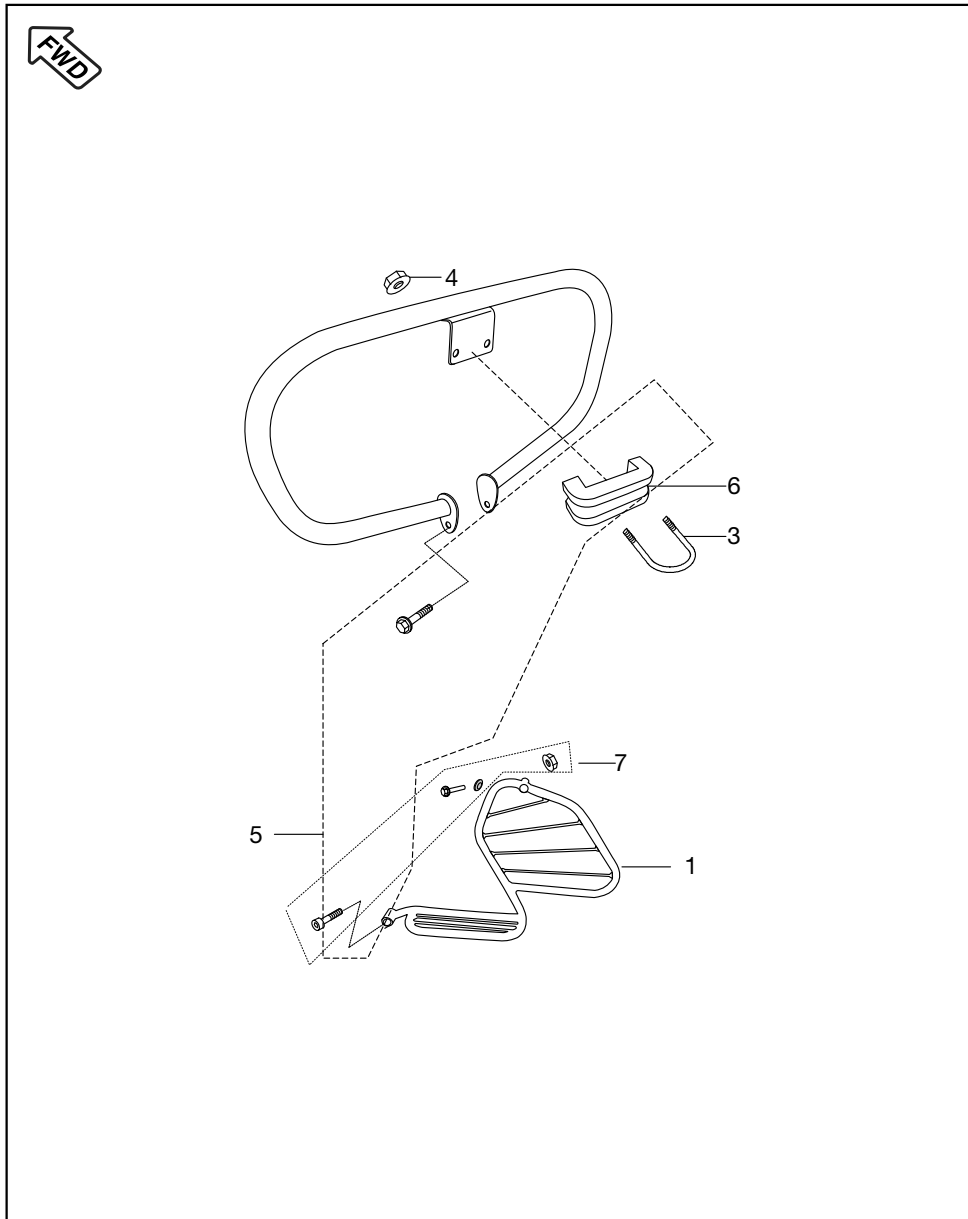
No.	Part No.	Description	ES Disc	ES Drum	KS Drum	Remarks
1	JW 4016 00	Horn With Stay	1	1	1	
2	39 1507 11	Plain Washer	1	1	1	
3	39 1689 04	Flange Bolt	1	1	1	
4	JW 4022 00	Wiring Harness	1	1	--	For ES
	JW 4022 01	Wiring Harness	--	--	1	For KS
5	DS 2010 29	Rear Brake Switch Assly	1	1	1	
6	DS 1910 07	Spring Brake Switch	1	1	1	
7	DS 2010 81	Battery 5 Ah (For ES)	1	1	--	Not Serviceable
	31 2010 27	Battery 2.5 Ah (For KS)	--	--	1	Not Serviceable
8	JB 4010 13	Head Lamp Controller Unit	1	1	1	
9	JA 4018 00	Case Battery	1	1	--	For ES
	JA 4018 02	Case Battery	--	--	1	For KS
10	JA 4018 01	Band Battery	1	1	--	
11	DS 1612 24	Stepped Bolt	2	2	2	
12	DS 2010 25	Assly DC flasher	1	1	1	
13	DK 2010 78	Starter Relay	1	1	1	
14	30 2011 04	Fuse box Assly	1	1	1	
15	30 2010 35	Fuse	2	2	2	
16	JW 4022 02	Cable assly Relay to Starter Motor	1	1	1	
17	JA 4022 02	Cable Asslt- Battery To Earth	1	1	1	



Tool Kit

No.	Part No.	Description	ES Disc	ES Drum	KS Drum	Remarks
1	JW 2310 00	Tool Kit	1	1	1	

Accessories / Grab Handle



No.	Part No.	Description	ES Disc	ES Drum	KS Drum	Remarks
1	JW 2312 00	Saree Guard	1	1	1	Alt. 36JB0014
2	JB 2312 01	Leg Guard	1	1	1	Alt. Jb231202
3	JA 2312 01	Hook Leg guard	1	1	1	
4	39 0798 15	Nut Hexagon	2	2	2	
5	36 JW00 13	Leg Guard Hardware Kit	1	1	1	Refer Page No. 114
6	JA 2312 02	Leg Guard Spacer	1	1	1	
7	36 Jb00 16	Saree Guard Hardware Kit	1	1	1	Refer Page No. 115

Kit List



Sr No	Kit Part No.	Kit Description	Consisting of Following Parts		
			Part No.	Description	Qty/Kit
1	36JW0005	Air Screw Kit	JW581204	*Screw Air Control	1
			24121064	*Spring Screw Air Control	1
			16121032	*Washer Plain Screw Air Control	1
			24121062	*O-ring Screw Air Control	1
2	36JW0006	Jet Kit	JW581206	*Main Jet	1
			24121360	*Pilot Jet	1
			JW581207	*Holder Needle Jet	1
			JW581208	*Needle Jet	1
3	JA581243	Idling Screw Kit	24121062	*O-ring Adjuster Screw	1
			JA581230	*Screw Stop	1
			CB121044	*Spring Screw Stop	1
			24121063	Washer	1
4	36JW0007	Carburettor Throttle Valve Kit	JW581210	*Ring	1
			JA581228	*Spring	1
			JW581211	*Piston Valve Assly	1
5	36JW0008	Carburettor "O" Ring Kit	JA581232	"O" Ring Joint	1
			JA581240	"O" Ring Solenoid Fixing	1
			DH121118	"O" Ring Drain Screw	1
6	36JA0002	Valve Kit	JA511200	Valve Intake	1
			JA511201	Valve Exhaust	1
7	36JA0003	Valve Repair Kit	28101129	Seat Spring	2
			39201719	Seal Oil	2
			JA511202	Spring Washer	2
			JA511203	Retainer Valve Spring	2
			DG101029	Collet	4
8	36JW0009	Chain Guide Kit	JA541035	Guide Chain Slack Side	1
			JA521002	Guide Chain Tight Side	1

Kit List

Sr No	Kit Part No.	Kit Description	Consisting of Following Parts		
			Part No.	Description	Qty/Kit
9	36JW0010	Set Piston Ring	JW521203	Ring Piston (oil)	1
			JP521203	Ring Piston(top)	1
			JA521209	Ring Piston (Second)	1
10	36JA0010	Set Drive Driven	JA551401	Housing	1
			JA531010	Gear Primary Drive	1
11	3614001	Bearing Cone Kit	DH181023	Bearing cone	1
			DH181025	Bearing cone	1
			DH181026	Bearing race	1
			DH181024	Upper bearing race	1
12	36DS2101	Seat Damper Kit	DS211005	Seat Damper	1
			DS211004	Seat Damper	1
13	36JW0011	Chain Sprocket Kit	JW131204	Sprocket	1
			JA551010	Sprocket Drive	1
			JB141000	Chain	1
14	36DS1402	Damper Kit Petrol Tank	DJ141008	Damper Front	1
			DS141021	Damper	1
15	36JW0012	Chain Case Kit	JW181208	Chain case Lower assly.	1
			JW181205	Chain case Upper assly.	1
16	36JW0013	Leg Guard Hardware Kit	JA231202	Leg Guard Spacer I	1
			39079815	Flanged Nut	1
			JA231201	Hook Leg Guard	1
17	36JW0014	Starter Clutch Repair Kit	JA621411	Bush Spring Starter Clutch	5
			DH101163	Roller Clutch	5
			JA621412	Spring	5
			DJ101109	Bush for Spring Starter	5
18	36JW0015	Brake Adjusting Kit	JB161002	Pin	1
			JK161000	Washer	1
			30191038	Pin	1
			DF191067	Washer	1
			39080808	Split pin	1
			30191035	Spring	1.
			39243704	Bolt socket	3
			30191036	Brake Adjusting Nut	1

Amendment Sheet



AMENDMENT SHEET (PARTS DELETED)					
SR. NO.	PART NUMBER	DESCRIPTION	QTY.	PAGE NO.	FIGURE NO.

Amendment Sheet

AMENDMENT SHEET (PARTS DELETED)					
SR. NO.	PART NUMBER	DESCRIPTION	QTY.	PAGE NO.	FIGURE NO.

Parts Index



Part Number	Figure No.	Page No.
30 2011 04	15	108
DJ 2011 08	18	68
15 1610 69	2	100
22 1502 41	4	30
24 1213 65	4	32
29 2011 17	8	78
30 1011 42	4	24
30 1011 95	11	26
30 1410 15	12	92
30 1410 31	9	56
30 1410 31	13	92
30 1510 05	10	72
30 1510 12	7	72
30 1510 32	2	64
30 1510 33	3	66
30 1510 33	16	64
30 1510 38	8	72
30 1510 38	11	64
30 1510 68	14	72
30 1510 68	15	64
30 1510 69	14	64
30 1510 69	15	72
30 1510 75	4	72
30 1510 95	11	76
30 1810 25	4	82
30 1810 26	3	82
30 1910 48	22	80

Part Number	Figure No.	Page No.
30 2010 35	16	108
31 1011 73	3	12
31 2010 27	7	108
31 2010 81	5	22
35 1610 60	18	102
36 DH19 02	15	68
36 DS12 01	2	46
36 DS14 02	3	94
36 DS18 02	4	50
36 DU10 07	3	30
36 DZ00 20	2	82
36 JA00 02	5	6
36 JA00 03	6	6
36 JA00 10	7	12
36 JW00 01	9	88
36 JW00 02	9	88
36 JW00 03	9	88
36 JW00 04	9	88
36 JW00 04	9	88
36 JW00 05	10	32
36 JW00 06	12	32
36 JW00 07	3	32
36 JW00 08	8	32
36 JW00 09	6	8
36 JW00 10	3	10
36 JW00 11	29	74
36 JW00 12	1	100

Parts Index

Part Number	Figure No.	Page No.
36 JW00 13	5	112
36 JW00 14	6	44
36 JW00 15	13	76
39 0197 11	5	96
39 0211 11	6	58
39 0211 11	7	56
39 0211 11	18	58
39 0292 15	15	52
39 0422 15	10	60
39 0454 11	10	52
39 0553 02	9	52
39 0594 17	12	8
39 0694 15	7	76
39 0705 01	3	106
39 0705 01	13	106
39 0708 15	6	52
39 0711 11	12	106
39 0716 01	9	102
39 0738 17	6	30
39 0740 11	7	92
39 0746 01	4	42
39 0746 01	8	20
39 0747 01	9	22
39 0753 01	3	38
39 0757 01	14	106
39 0784 08	11	56
39 0789 12	8	76

Part Number	Figure No.	Page No.
39 0789 12	18	82
39 0790 12	6	96
39 0794 15	21	74
39 0797 08	3	60
39 0807 08	9	76
39 0817 15	12	18
39 0987 17	3	14
39 0992 06	2	16
39 0993 11	5	30
39 0999 06	12	22
39 1000 06	2	10
39 1000 06	6	20
39 1000 06	11	22
39 1040 11	10	56
39 1041 19	3	24
39 1054 11	6	94
39 1211 11	5	46
39 1225 15	6	104
39 1283 21	10	4
39 1507 11	2	108
39 1540 11	6	76
39 1553 04	4	46
39 1553 04	14	28
39 1671 21	20	24
39 1675 04	3	42
39 1677 04	14	34
39 1689 04	3	108

Parts Index



Part Number	Figure No.	Page No.
39 1714 04	2	78
39 1714 04	5	56
39 1714 04	19	82
39 1715 19	4	22
39 1759 04	17	22
39 1773 04	8	34
39 1778 02	2	102
39 1783 01	10	106
39 1789 24	4	94
39 1943 04	2	94
39 1943 04	5	58
39 1943 04	13	42
39 1943 04	24	80
39 1946 04	10	94
39 1964 04	14	20
39 1970 15	3	104
39 1970 15	9	48
39 1981 04	20	14
39 2017 19	7	6
39 2038 04	8	66
39 2124 15	15	106
39 2140 04	4	106
39 2141 24	5	102
39 2190 19	7	22
39 2208 04	7	26
39 2208 04	15	24
39 2228 15	3	112

Part Number	Figure No.	Page No.
39 2240 20	17	72
39 2249 15	13	78
39 2312 04	7	48
39 2381 04	2	92
39 2408 17	12	30
39 2427 04	18	78
39 2476 04	6	106
39 2484 15	10	92
39 2492 11	7	36
39 2495 04	4	112
39 2562 20	2	22
39 2566 11	24	74
39 2567 11	28	74
39 2600 11	3	28
39 2686 20	2	72
39 2687 20	3	72
39 2688 20	1	64
39 2688 20	1	66
39 2704 11	7	18
39 2723 15	4	48
39 2726 12	7	52
39 2754 04	8	36
39 2754 04	13	56
39 2758 21	14	92
52 DH03 10	17	68
52 JW00 25	1	90
52 JW00 36	8	88

Parts Index

Part Number	Figure No.	Page No.
52 JW00 37	8	88
52 JW00 38	8	88
52 JW00 39	8	88
52 JW00 45	8	88
59 0200 01	8	90
59 0400 17	8	48
59 0400 38	2	2
59 0400 38	2	26
59 0400 38	11	20
59 0400 38	16	22
59 0400 38	17	24
59 1100 08	2	12
59 1500 14	1	12
59 2000 01	5	12
59 2000 36	3	20
59 2000 36	3	22
59 2100 23	14	22
59 2100 24	17	14
CB 1011 14	2	36
CB 1210 46	14	32
CB 1210 61	2	32
CL 2010 23	3	102
CS 1011 28	9	8
DD 1010 97	13	30
DD 1110 11	10	42
DD 1110 12	11	42
DD 1110 48	9	42

Part Number	Figure No.	Page No.
DD 1211 81	19	24
DD 1410 22	6	92
DE 1510 06	2	66
DE 1510 08	4	66
DE 1510 12	5	66
DE 1510 15	11	68
DF 1611 02	9	60
DF 1614 13	2	54
DF 1614 15	6	100
DG 1010 29	4	6
DG 1013 39	11	18
DG 1014 18	7	24
DG 1110 08	8	42
DG 1410 28	17	92
DG 1611 21	1	94
DG 1810 08	12	82
DH 1010 11	7	8
DH 1011 25	20	22
DH 1011 63	3	46
DH 1012 64	6	22
DH 1015 09	10	18
DH 1016 07	5	36
DH 1017 81	2	44
DH 1210 38	15	34
DH 1510 29	5	76
DH 1610 61	8	56
DH 1611 21	4	60

Parts Index



Part Number	Figure No.	Page No.
DH 1611 45	5	60
DH 1611 94	3	54
DH 1612 39	6	60
DH 1612 40	8	60
DH 1810 09	7	82
DH 1810 14	3	50
DH 1810 22	17	78
DH 1810 23	16	82
DJ 1510 33	18	72
DJ 1510 35	26	74
DJ 1510 36	13	52
DJ 1510 37	14	52
DJ 1510 47	16	52
DJ 1510 68	3	70
DJ 1510 69	4	70
DJ 1510 70	5	70
DJ 1510 72	7	70
DJ 1510 73	8	70
DJ 1510 75	10	70
DJ 1510 92	6	72
DJ 1510 94	10	66
DJ 1610 69	10	58
DJ 1610 72	5	106
DJ 1612 21	11	58
DJ 1612 80	2	70
DJ 1710 33	12	52
DJ 1710 33	23	74

Part Number	Figure No.	Page No.
DJ 1810 52	14	82
DJ 1810 65	8	102
DJ 1810 65	9	58
DJ 1810 65	12	42
DJ 1810 85	13	82
DJ 1811 04	6	82
DJ 1811 15	5	50
DJ 1910 06	3	68
DJ 1910 23	1	68
DJ 1910 25	4	68
DJ 1910 26	5	68
DJ 1910 27	6	68
DJ 1910 28	7	68
DJ 1910 29	8	68
DJ 1910 30	9	68
DJ 1910 31	10	68
DJ 1910 34	13	68
DJ 1910 35	14	68
DJ 1910 54	5	78
DJ 1910 55	7	78
DJ 2010 72	4	102
DJ 2011 09	12	68
DJ 2011 83	4	98
DJ 2210 03	20	78
DJ 2210 04	21	80
DK 1011 35	7	16
DK 2010 78	14	108

Parts Index

Part Number	Figure No.	Page No.
DP 1011 65	4	10
DP 1012 69	6	24
DP 1210 25	11	34
DP 1510 18	2	30
DP 1611 44	9	106
DP 1611 45	7	106
DP 1710 06	17	52
DS 1011 17	8	30
DS 1011 54	6	12
DS 1012 15	8	24
DS 1211 26	10	34
DS 1410 12	9	94
DS 1510 29	6	62
DS 1510 31	5	62
DS 1510 48	3	62
DS 1510 49	4	62
DS 1510 56	18	64
DS 1510 57	9	72
DS 1510 68	5	72
DS 1510 68	16	72
DS 1510 73	20	72
DS 1510 74	19	72
DS 1510 89	13	64
DS 1510 91	10	64
DS 1510 92	9	64
DS 1510 92	9	78
DS 1510 94	4	64

Part Number	Figure No.	Page No.
DS 1510 94	13	72
DS 1510 95	8	64
DS 1510 95	12	72
DS 1611 25	1	58
DS 1612 24	11	108
DS 1612 24	12	58
DS 1612 24	12	108
DS 1612 24	16	58
DS 1810 06	28	80
DS 1810 07	26	80
DS 1810 08	10	78
DS 1810 09	11	78
DS 1810 10	12	78
DS 1810 12	8	82
DS 1810 15	10	82
DS 1810 17	20	82
DS 1810 18	2	50
DS 1810 18	9	82
DS 1810 19	29	80
DS 1810 44	1	78
DS 1910 07	6	108
DS 1910 15	14	78
DS 1910 16	15	78
DS 1910 18	27	80
DS 1910 33	6	78
DS 1910 35	10	76
DS 1910 52	16	78

Parts Index



Part Number	Figure No.	Page No.
DS 2010 25	13	108
DS 2010 29	5	108
DS 2010 36	11	102
DS 2010 39	12	102
DS 2010 81	7	108
DU 1010 85	7	20
DU 1012 13	19	14
DU 2010 18	4	78
DX 1510 22	27	74
DX 1610 21	3	56
DX 1610 24	4	56
DX 1610 56	12	56
DX 1910 08	7	78
DZ 1410 75	15	92
FD 2110 06	3	40
GH 2010 12	2	104
JA 1130 11	4	54
JA 1132 01	2	60
JA 1132 02	7	60
JA 1134 00	1	48
JA 1134 01	2	48
JA 1134 02	3	48
JA 1134 03	5	48
JA 1134 04	6	48
JA 1510 03	17	82
JA 1510 13	5	82
JA 1610 03	2	76

Part Number	Figure No.	Page No.
JA 1612 01	2	98
JA 1612 03	3	98
JA 1718 01	11	92
JA 2312 00	2	112
JA 2330 00	2	24
JA 3512 03	5	42
JA 3512 04	6	42
JA 3512 09	8	42
JA 3516 00	4	44
JA 3516 04	2	44
JA 3516 06	3	44
JA 3516 27	1	44
JA 4018 00	9	108
JA 4018 01	10	108
JA 4018 02	9	108
JA 4022 02	18	108
JA 5110 06	4	4
JA 5110 07	5	2
JA 5110 08	2	4
JA 5110 08	4	2
JA 5110 09	1	2
JA 5110 11	6	2
JA 5110 11	12	34
JA 5110 12	3	2
JA 5110 28	3	4
JA 5110 29	7	2
JA 5110 29	13	34

Parts Index

Part Number	Figure No.	Page No.
JA 5112 04	3	6
JA 5112 10	1	6
JA 5112 11	2	6
JA 5112 16	2	8
JA 5112 17	3	8
JA 5112 18	4	8
JA 5210 01	1	10
JA 5210 15	6	10
JA 5210 17	8	8
JA 5210 18	10	8
JA 5210 19	11	8
JA 5210 19	22	24
JA 5210 19	14A	34
JA 5310 07	17	28
JA 5310 11	5	8
JA 5310 14	10	12
JA 5310 15	9	12
JA 531012	8	12
JA 5410 05	8	22
JA 5410 05	9	26
JA 5410 10	5	20
JA 5410 11	4	20
JA 5410 12	13	20
JA 5410 14	12	20
JA 5410 15	9	20
JA 5410 16	2	38
JA 5410 18	4	38

Part Number	Figure No.	Page No.
JA 5410 19	13	22
JA 5410 20	18	22
JA 5410 21	15	22
JA 5410 28	15	42
JA 5410 34	10	22
JA 5410 44	4	26
JA 5412 05	3	26
JA 5412 11	11	24
JA 5412 12	16	24
JA 5412 15	13	24
JA 5412 16	14	24
JA 5412 19	21	24
JA 5412 20	6	26
JA 5412 21	8	26
JA 5412 22	18	24
JA 5412 25	12	24
JA 5412 33	10	26
JA 5412 35	10	20
JA 5412 36	9	24
JA 5412 37	10	24
JA 5412 40	1	24
JA 5412 41	1	26
JA 5510 02	4	14
JA 5510 04	7	14
JA 5510 07	12	14
JA 5510 09	16	14
JA 5510 10	18	14

Parts Index



Part Number	Figure No.	Page No.	Part Number	Figure No.	Page No.
JA 5512 06	13	14	JA 5812 18	8	4
JA 5514 05	13	28	JA 5812 21	13	32
JA 5514 06	2	28	JA 5812 33	9	32
JA 5514 14	5	28	JA 5812 39	7	32
JA 5514 15	11	28	JA 5812 43	11	32
JA 5514 16	15	28	JA 5813 14	15	32
JA 5514 17	8	28	JA 5814 05	5	4
JA 5514 18	7	28	JA 5814 06	6	4
JA 5514 19	6	28	JA 5814 07	9	4
JA 5514 20	16	28	JA 5910 37	6	36
JA 5514 21	9	28	JA 5910 40	3	36
JA 5514 22	10	28	JA 6210 02	9	30
JA 5612 05	2	18	JA 6210 03	10	30
JA 5612 06	3	18	JA 6210 06	11	30
JA 5612 09	6	18	JA 6212 01	1	30
JA 5612 11	8	18	JA 6214 02	4	40
JA 5614 00	9	18	JA 6214 06	5	40
JA 5710 00	1	38	JA 6214 10	3	40
JA 5810 05	3	34	JA 6214 14	1	40
JA 5810 06	4	34	JB 1220 03	8	52
JA 5810 07	16	34	JB 1220 10	3	52
JA 5810 08	17	34	JB 1220 11	2	52
JA 5810 09	5	34	JB 1220 16	1	52
JA 5810 10	6	34	JB 1310 08	3	64
JA 5810 11	7	34	JB 1310 16	1	62
JA 5810 12	9	34	JB 1310 17	7	64
JA 5812 08	7	4	JB 1310 17	12	66

Parts Index

Part Number	Figure No.	Page No.	Part Number	Figure No.	Page No.
JB 1310 18	5	64	JB 4022 02	8	10
JB 1310 18	7	66	JB 4024 01	4	98
JB 1310 19	6	64	JB 5812 02	5	32
JB 1310 19	13	66	JB 5812 04	6	32
JB 1310 20	19	64	JC 1410 17	7	94
JB 1310 22	17	64	JD 1220 02	11	52
JB 1312 25	25	74	JD 1510 08	4	104
JB 1316 01	12	64	JD 1510 09	4	104
JB 1410 01	1	72	JD 1510 10	5	104
JB 1510 12	14	102	JD 1510 11	5	104
JB 1510 13	15	102	JD 1710 16	4	90
JB 1610 04	12	76	JD 1710 18	6	90
JB 1612 03	1	98	JD 1716 00	1	92
JB 1718 00	4	92	JD 3510 02	1	42
JB 1812 20	3	100	JD 4010 03	1	104
JB 1812 21	4	100	JD 4010 04	1	104
JB 1812 23	4	96	JD 4010 05	1	104
JB 1812 39	5	100	JD 4010 06	1	104
JB 1814 12	3	58	JD 4026 00	8	92
JB 2326 00	5	92	JD 5310 04	11	12
JB 4010 13	8	108	JD 5410 00	19	22
JB 4010 20	17	102	JD 5510 00	1	14
JB 4014 00	3	78	JD 5510 02	8	14
JB 4014 01	4	78	JD 5512 00	11	14
JB 4014 02	23	80	JD 5512 01	6	14
JB 4014 09	19	78	JD 5512 02	9	14
JB 4020 01	14	42	JD 5512 03	14	14

Parts Index



Part Number	Figure No.	Page No.
JD 5512 04	10	14
JD 5512 05	15	14
JD 5512 06	5	14
JD 5512 07	2	14
JD 5512 08	22	14
JD 5512 09	21	14
JD 5514 00	18	28
JD 5610 02	8	16
JD 5610 04	5	16
JD 5610 05	6	16
JD 5610 06	4	16
JD 5610 11	3	16
JD 5612 00	1	18
JD 5612 03	4	18
JD 5612 04	5	18
JD 6210 01	7	30
JK 1210 07	23	82
JN 1310 03	11	66
JN 1312 11	22	74
JN 1316 03	9	66
JN 1810 29	7	96
JP 3510 07	2	42
JP 5412 05	1	26
JP 5412 08	3	26
JW 1110 00	1	50
JW 1110 25	5	94
JW 1130 01	1	54

Part Number	Figure No.	Page No.
JW 1130 03	1	56
JW 1130 05	2	56
JW 1130 06	6	56
JW 1132 00	1	60
JW 1220 01	4	52
JW 1220 04	4	76
JW 1220 08	5	52
JW 1310 04	1	62
JW 1310 04	14	66
JW 1312 05	2	62
JW 1316 01	11	72
JW 1318 01	1	70
JW 1318 02	12	70
JW 1318 04	16	68
JW 1318 05	2	68
JW 1318 06	6	66
JW 1318 07	6	70
JW 1318 09	9	70
JW 1318 10	11	70
JW 1510 01	11	82
JW 1510 01	25	80
JW 1510 02	1	82
JW 1510 03	1	82
JW 1510 05	21	82
JW 1510 07	22	82
JW 1510 08	15	82
JW 1510 09	13	102

Parts Index

Part Number	Figure No.	Page No.
JW 1510 21	21	82
JW 1510 22	22	82
JW 1510 23	24	82
JW 1610 00	1	76
JW 1610 02	3	76
JW 1610 17	8	94
JW 1710 07	5	90
JW 1710 14	2	90
JW 1710 15	3	90
JW 1710 16	7	90
JW 1710 17	3A	94
JW 1710 26	16	92
JW 1710 27	9	92
JW 1812 00	6	102
JW 1812 01	3	96
JW 1812 02	7	102
JW 1812 19	11	94
JW 1812 28	10	102
JW 1812 28	17	58
JW 1812 29	21	102
JW 1812 30	2	96
JW 1812 31	19	102
JW 1812 32	20	102
JW 1812 34	16	102
JW 1812 38	7	100
JW 1814 01	7	58
JW 1814 02	14	58

Part Number	Figure No.	Page No.
JW 1814 03	4	58
JW 1814 05	2	58
JW 1814 07	8	58
JW 1814 10	2	58
JW 1814 15	15	58
JW 1910 00	1	46
JW 2310 00	1	110
JW 2312 00	1	112
JW 2314 01	10	88
JW 2326 00	13	58
JW 2328 00	8	106
JW 2328 01	11	106
JW 2330 00	12	26
JW 3510 04	1	42
JW 3512 00	7	42
JW 3514 00	7	10
JW 4010 01	1	102
JW 4010 04	1	106
JW 4010 11	2	106
JW 4016 00	1	108
JW 4022 00	4	108
JW 4022 01	4	108
JW 4022 02	17	108
JW 4024 00	1	96
JW 5010 00	1	20
JW 5010 04	1	20
JW 5110 05	1	4

Parts Index



Part Number	Figure No.	Page No.
JW 5112 01	1	8
JW 5210 00	5	10
JW 5310 00	4	12
JW 5410 06	1	22
JW 5410 07	2	20
JW 5410 10	1	22
JW 5412 02	5	26
JW 5412 05	5	24
JW 5514 00	1	28
JW 5514 01	12	28
JW 5514 02	4	28
JW 5610 00	1	16
JW 5810 00	1	34
JW 5810 01	2	34
JW 5812 00	1	32
JW 5910 00	1	36
JW 5910 23	4	36
JW 5910 28	9	36
JW 5910 30	10	36
JW 5910 31	1	36
JW 7101 3A	1	84
JW 7101 3H	1	84
JW 7101 3J	1	84
JW 7101 4J	1	84
JW 7101 X4	1	84
JW 7301 3A	2	84
JW 7301 3H	2	84

Part Number	Figure No.	Page No.
JW 7301 3J	2	84
JW 7301 4J	2	84
JW 7301 X4	2	84
JW 7302 3A	3	84
JW 7302 3H	3	84
JW 7302 3J	3	84
JW 7302 4J	3	84
JW 7302 X4	3	84
JW 7303 3A	6	86
JW 7303 3H	6	86
JW 7303 3J	6	86
JW 7303 4J	6	86
JW 7303 X4	6	86
JW 7304 3A	4	86
JW 7304 3H	4	86
JW 7304 3J	4	86
JW 7305 3A	5	86
JW 7305 3H	5	86
JW 7305 3J	5	86
JW 7306 22	7	88
JW 7306 3A	7	88
JW 7306 X4	7	88
JW 7309 4J	4	86
JW 7309 X4	4	86
JW 7310 4J	5	86
JW 7310 X4	5	86