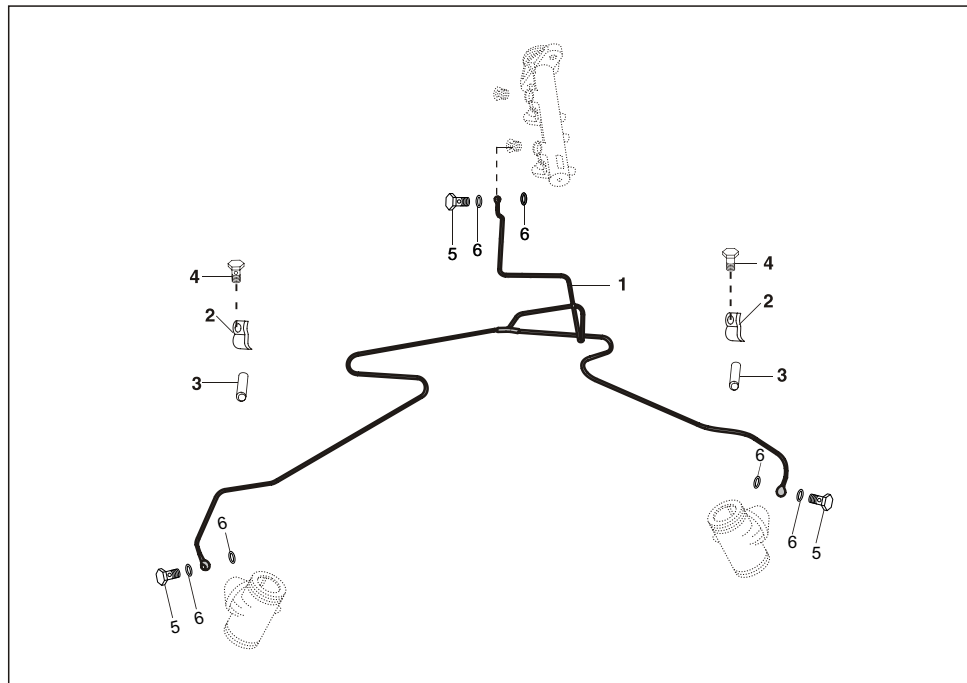


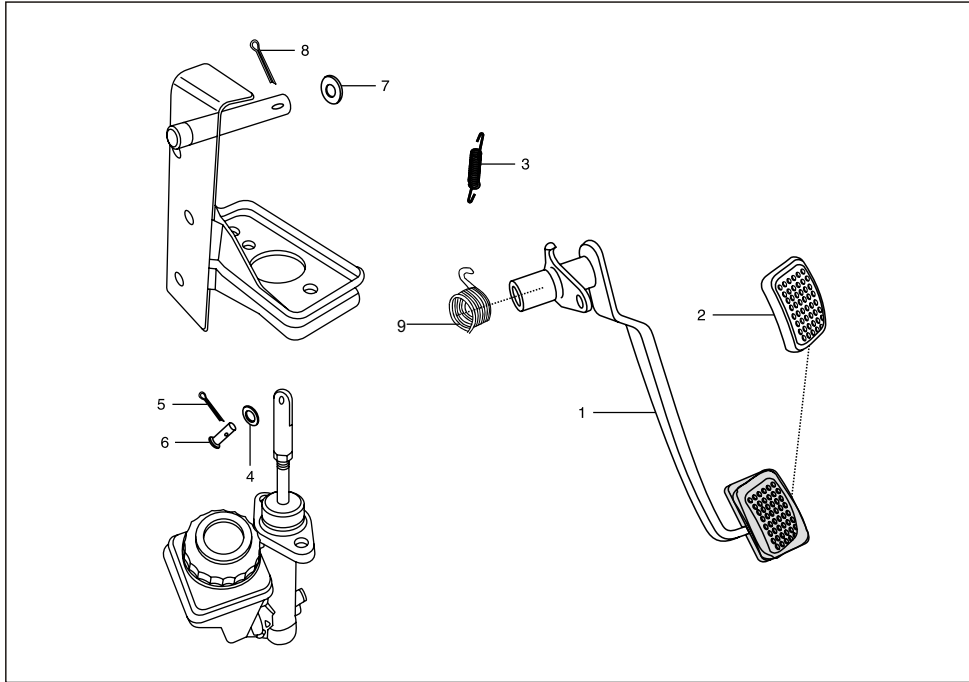
No.	Part No.	Description	AN	AT	Remarks
1	AL 1510 28	Flexible Brake hose Front	1	1	
2	39 1663 11	Plain washer	2	2	
3	39 1753 15	Hexagon nut	1	1	
4	AL 1511 65	Br pipe assly Front-l	1	1	
5	DD 1610 38	Clamp(F-Fender)	1	1	
6	AB 1510 49	Banjo bolt	1	1	
7	21 1504 22	Packing	2	2	

AN = GC1000 CNG
AT = MEGA CNG



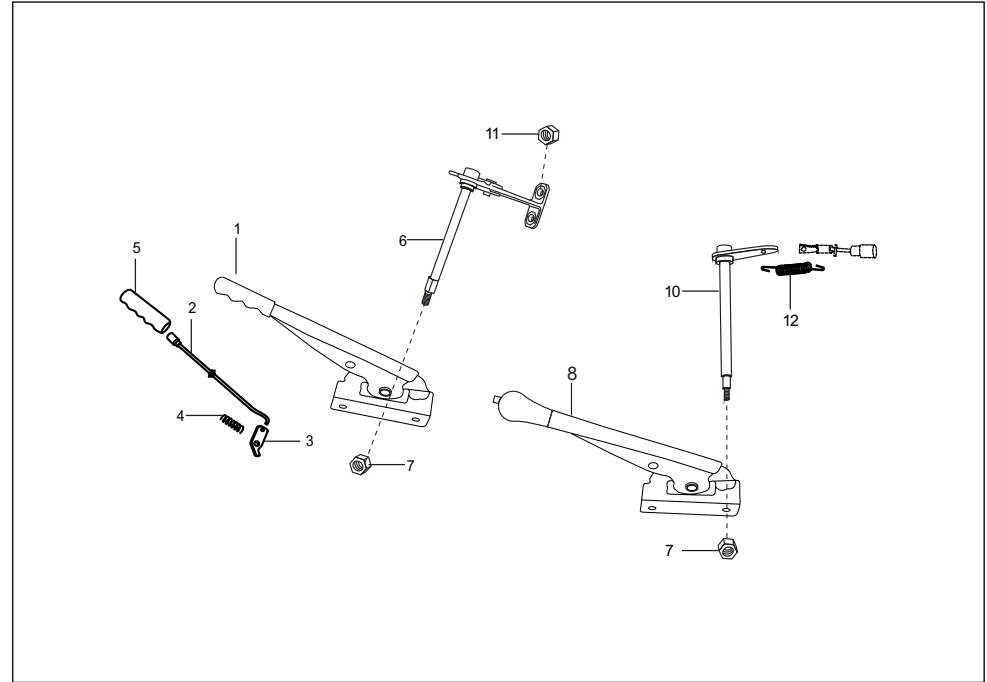
No.	Part No.	Description	AN	AT	Remarks
1	AN 1510 02	Br Pipe Assly- Rear	1	1	
2	24 1504 06	Clamp for sleeve	2	2	
3	24 1504 07	Sleeve	2	2	
4	22 1504 35	Hex bolt	2	2	
5	AB 1510 49	Banjo bolt	3	3	
6	21 1504 22	Packing	6	6	

AN = GC1000 CNG
AT = MEGA CNG



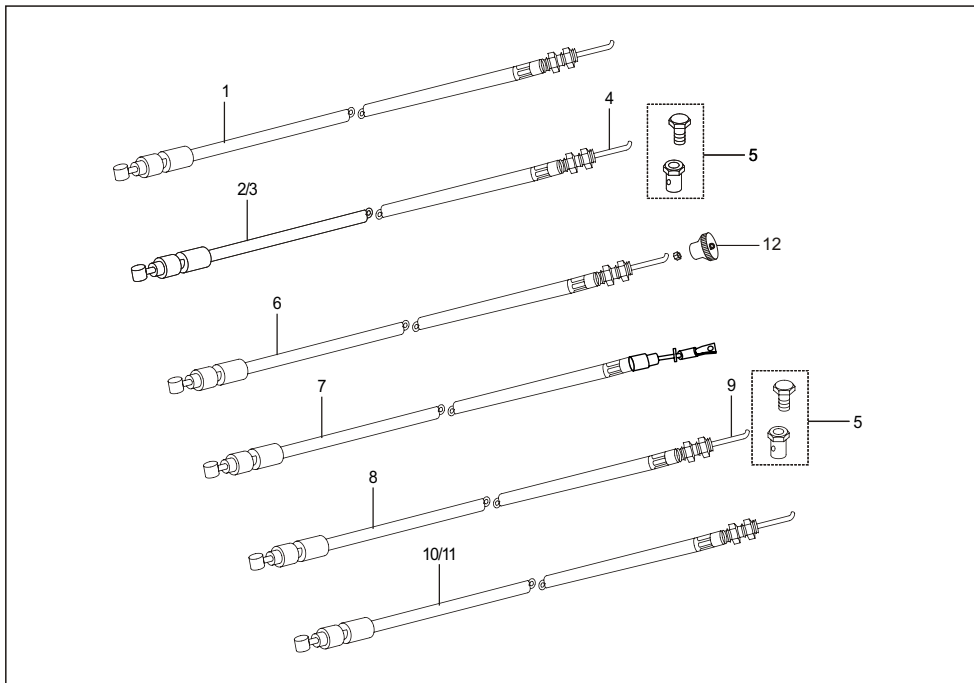
No.	Part No.	Description	AN	AT	Remarks
1	AL 1511 60	Brake pedal assly	1	1	
2	AL 1910 27	Pad- Brake/Clutch pedal	1	1	
3	AB 1510 14	Spring brake pedal retainer	1	1	
4	39 0208 11	Plain washer	1	1	
5	39 0147 08	Split pin	1	1	
6	39 1702 07	Clevis pin with head	1	1	
7	39 0199 11	Plain washer	1	1	
8	39 0146 08	Split pin	1	1	
9	AB 1510 04	Return spring	1	1	

AN = GC1000 CNG
AT = MEGA CNG



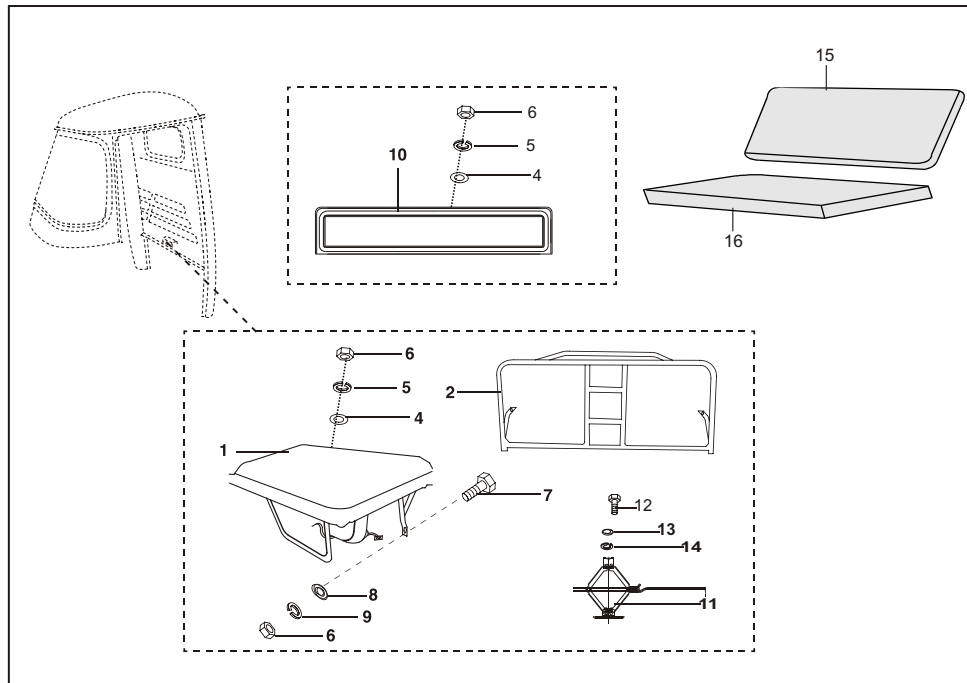
No.	Part No.	Description	AN	AT	Remarks
1	BB 1510 01	Hand brake lever assembly	1	1	From Dec. 07
	AL 1511 37	Hand brake lever assembly	1	1	Upto Nov. 07
2	AL 1511 03	Operating hand rod	1	1	
3	AL 1511 04	Control lever brake	1	1	
4	AL 1511 05	Spring hand brake	1	1	
5	AL 1511 13	Hand grip	1	1	
6	AL 1511 38	Plate assembly hand brake	1	1	
7	39 0690 15	Nut - Nyloc :- M8 X 1.25	1	1	
8	AT 1610 01	Reverse lever assembly	1	1	From June 07
	AN 1910 15	Reverse lever assembly	1	--	Upto May 07
9	22 1505 07	Spring	1	--	N.I. For AN191015
10	AT 1610 02	Reverse shaft assembly	1	1	From June 07
	AN 1910 16	Reverse shaft assembly	1	--	Upto May 07
11	39 0694 15	Hexagon Nut	4	4	For hand brake cable adjuster nut
12	24 1910 19	Spring	1	1	For Return of reverse lever

AN = GC1000 CNG
AT = MEGA CNG



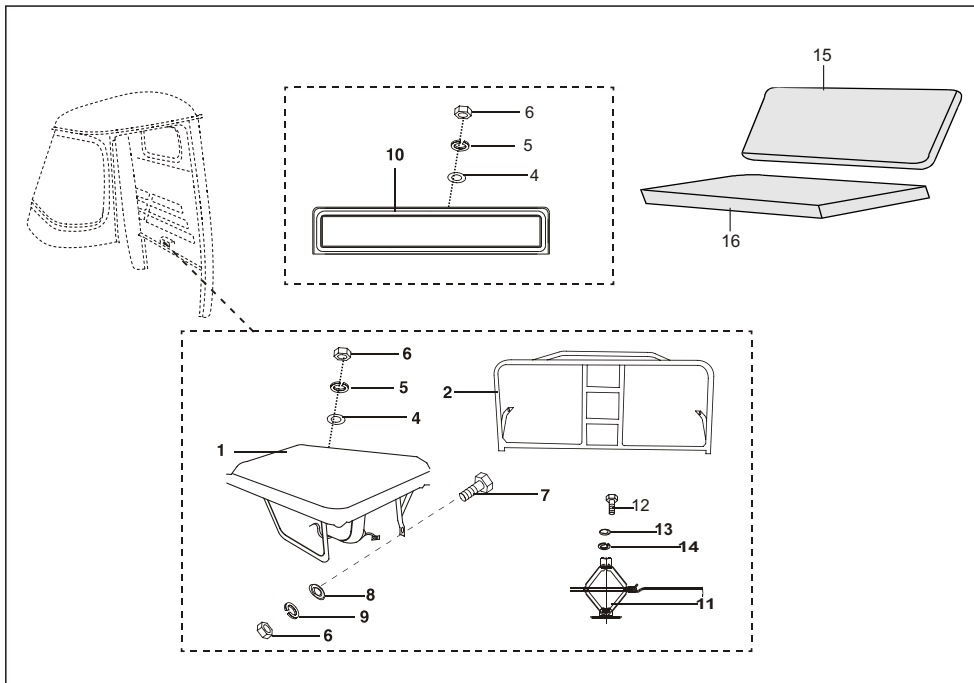
No.	Part No.	Description	AN	AT	Remarks
1	AN 1910 09	Accelerator cable comp.	1	1	
2	AN 1910 03	Gear cable com. White	1	1	
3	AN 1910 01	Gear cable comp-Black	1	1	
4	AN 1910 02	Inner cable gear	2	2	For gear cable White/Black
5	05 1910 46	Screw terminal assly	3	3	For gear cable White/Black
6	AN 1910 10	Choke cable comp.	1	1	
7	AN 1910 04	Clutch cable comp.	1	1	
8	AN 1910 12	Cable complete rev.	1	--	
	AT 1612 01	Cable complete rev.	--	1	
9	AN 1910 13	Inner cable reverse	1	1	
	AT 1612 02	Inner cable reverse	--	1	
10	AL 1511 40	Cable LH Hand brake	1	1	
11	AL 1511 41	Cable RH Hand brake	1	1	
12	AN 1910 22	Knob	1	1	

AN = GC1000 CNG
AT = MEGA CNG



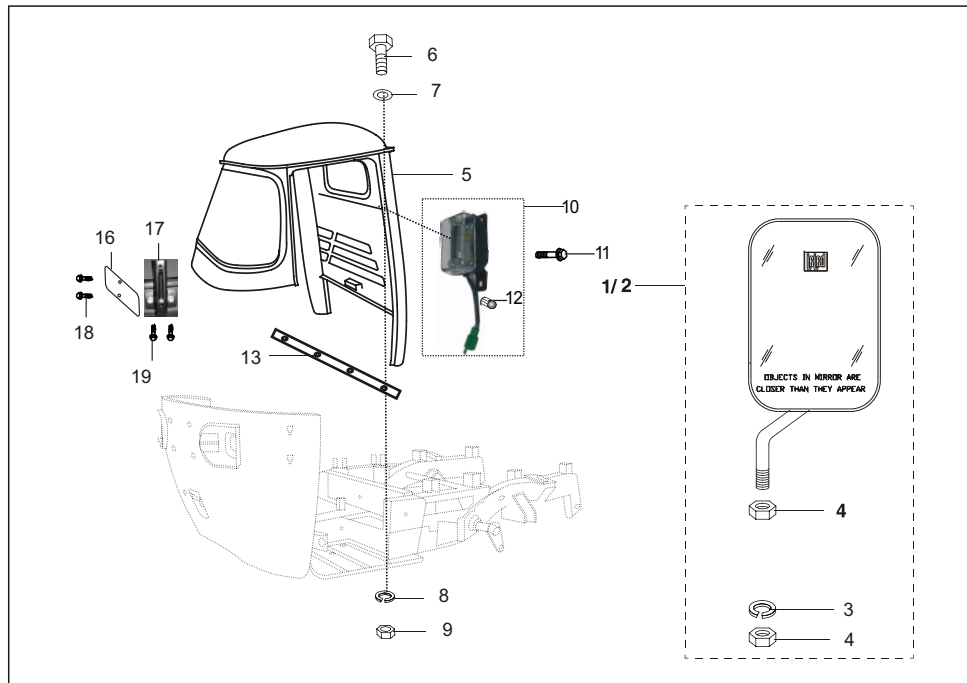
No.	Part No.	Description	AN	AT	Remarks
1	AN 2110 01	Driver seat	1	--	
	AT 1910 01	Driver seat	--	1	
2	AL 2110 05	Driver seat Frame	1	--	
	BB 2110 11	Driver seat Frame	--	1	
3	24 2311 46	Clip	2	2	(N.I)
4	39 0197 11	Plain washer	7	7	For mtg. clip
5	39 0262 12	Spring washer	7	7	For mtg. clip
6	39 0291 15	Hexagon nut	7	7	For mtg. clip
7	39 0390 04	Hexagon screw	2	2	Fitment of driver frame on chassis
8	39 0230 11	Plain washer	4	4	Fitment of driver frame on chassis
9	39 0265 12	Spring washer	2	2	Fitment of driver frame on chassis
10	AN 2110 02	Driver backrest	1	--	
	AT 1910 02	Driver backrest	--	1	

AN = GC1000 CNG
AT = MEGA CNG



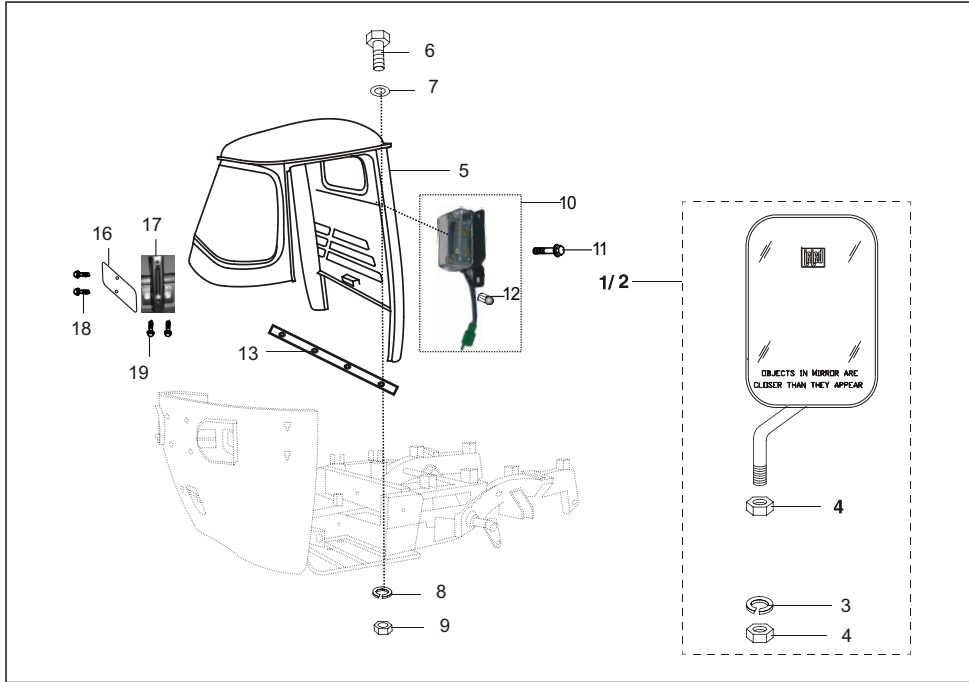
No.	Part No.	Description	AN	AT	Remarks
11	AN 2210 04 BB 2210 04	Jack assly. Jack assly.	1	--	
12	39 0119 04	Bolt Hex. head	--	1	For jack assly. mounting to seat frame
13	39 1224 11	Plain washer	2	2	For jack assly. mounting to seat frame
14	39 0788 12	Spring washer	2	2	For jack assly. mounting to seat frame
15	AT 1910 04	Backrest passenger	--	1	
16	AT 1910 03	Passenger seat	--	1	

AN = GC1000 CNG
AT = MEGA CNG



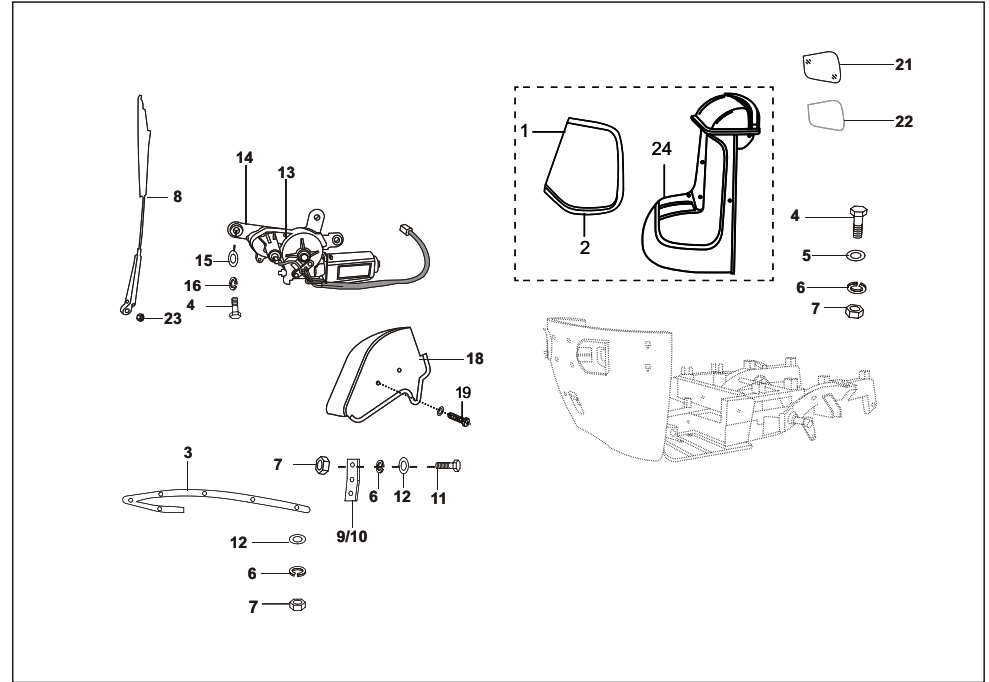
No.	Part No.	Description	AN	AT	Remarks
1	AL 2210 26 AL 2210 27	Mirror assly. LH Mirror assly. RH	1	--	
2	BB 2210 02 BB 2210 03	Mirror assly. LH Mirror assly. RH	--	1	
3	39 1829 12	Spring washer	2	2	
4	39 0302 15	Hex nut	4	4	
5	AN 2410 10 AN 2410 03	Driver cabin assly. Driver cabin assly.	1	--	For with doors
6	39 1069 01	Hex head screw	6	--	For cabin fitment on extreme back panel
7	39 0711 11	Plain washer	12	--	For cabin fitment on extreme back panel
5	39 0263 12	Spring washer	20	--	For cabin fitment on extreme back panel
9	39 1353 15	Nyloc nut	6	--	For cabin fitment on extreme back panel

AN = GC1000 CNG
AT = MEGA CNG



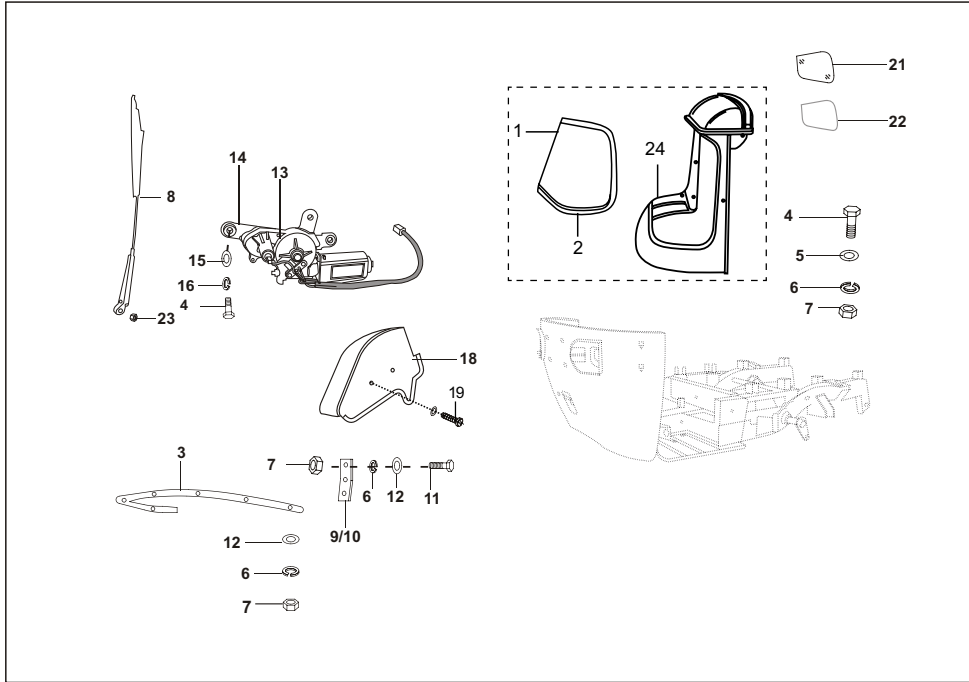
No.	Part No.	Description	AN	AT	Remarks
10	AL 2010 39	Cabin light assembly	1	--	
11	39 2208 04	Flange bolt	2	--	
12	AL 2010 83	Lamp 12V 10W	1	--	
13	AL 2410 37	Packing Upper cabin	1	--	
14	AF 2210 02	Bracket for mtg. fire extinguisher	1	1	N.I
15	39 1680 04	Flange bolt	4	4	N.I For mounting fire extinguisher
16	22 1612 21	Front number plate	1	1	
17	22 1612 38	Front number plate bkt.	1	1	
18	39 0078 04	Flange bolt	2	2	for no. plate
19	39 1680 04	Flange bolt	2	2	for bracket

AN = GC1000 CNG
AT = MEGA CNG



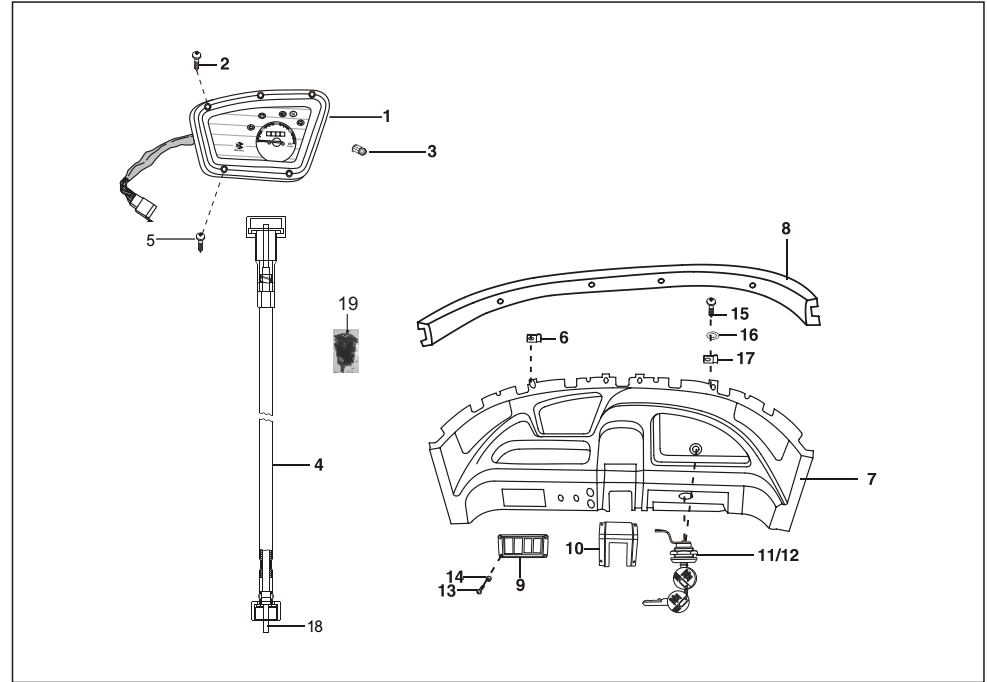
No.	Part No.	Description	AN	AT	Remarks
1	AA 2310 22	One Piece Glass(w.s)	1	1	
2	AA 2310 26	Beading W/Shield Glass	1	1	
3	AL 2410 33	Packing Shield / windshield	1	1	
4	39 0085 04	Bolt hexagon head	12	12	For Fixing windshield to chassis
5	39 0258 11	Plain washer	18	18	For Fixing windshield to chassis
6	39 0262 12	Spring washer	15	15	For Fixing windshield to chassis
7	39 0291 15	Hexagon nut	15	15	For Fixing windshield to chassis
8	AL 2410 23	Wiper arm blade assly.	1	1	
9	AB 2310 09	Joint plate L.H.	1	1	
10	AB 2310 08	Joint plate R.H.	1	1	
11	39 0071 04	Hexagon bolt	6	6	For mtg. Joint Plate L.H./R.H.
12	39 0197 11	Plain washer	12	12	For mtg. Joint Plate L.H./R.H.
13	AA 2011 43	Wiper Motor	1	1	

AN = GC1000 CNG
AT = MEGA CNG



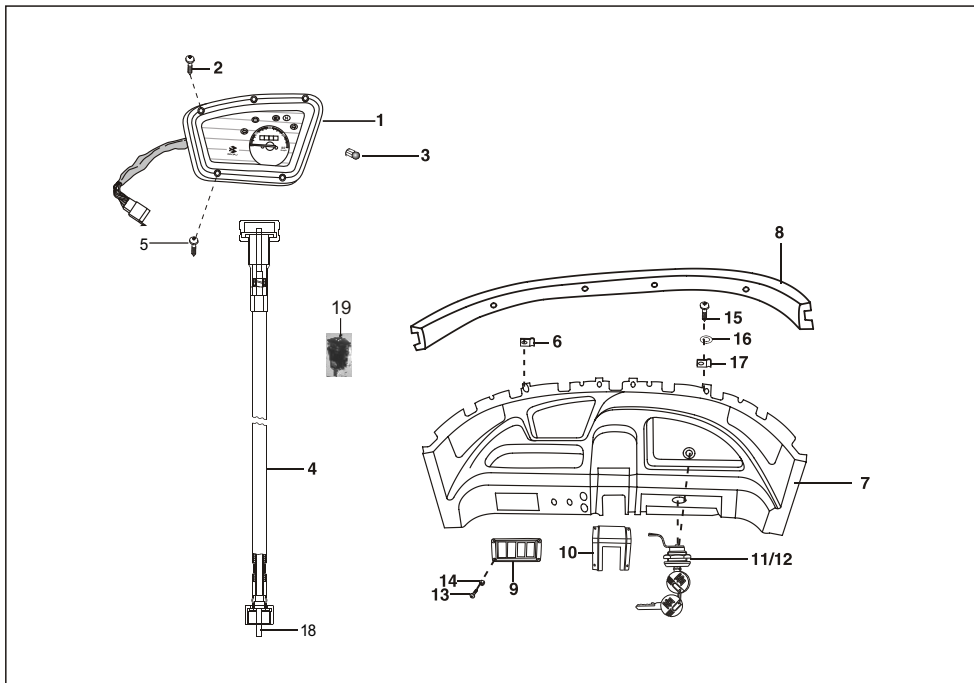
No.	Part No.	Description	AN	AT	Remarks
14	AL 2410 29	Bkt assly wiper motor	1	1	
15	39 0814 11	Plain washer	3	3	For fixing wiper motor on bracket
16	39 0263 12	Spring washer	3	3	For fixing wiper motor on bracket
17	AL 1613 83	Wiper motor cover	1	1	From July 07
	AL 1612 01	Wiper motor cover	1	1	Upto June 07
18	39 1698 01	Screw pan cross	2	2	For Wiper motor cover fitment
19	22 2707 09	RE transparent glass	1	1	
20	AL 2410 65	Beading for Rear glass	1	1	
21	39 0817 15	Flange nut	1	1	For Mtg of wiper blade
22	AA 2310 49	Wind shield assly.	--	1	

AN = GC1000 CNG
AT = MEGA CNG



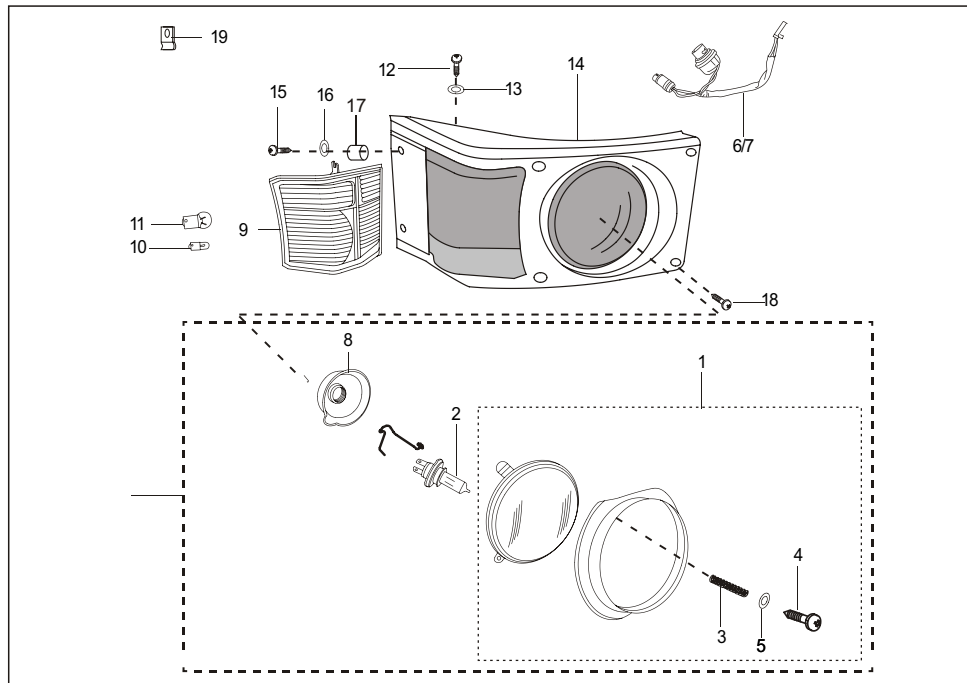
No.	Part No.	Description	AN	AT	Remarks
1	AT 4024 01	Speedometer complete with Lamp	1	1	From July 07
	AN 1910 08	Speedometer complete with Lamp	1	--	Upto June 07
2	AL 1910 28	screw	3	3	
3	30 2010 84	Lamp 12V 2W	7	7	
4	AT 1612 04	Speedo cable	--	1	
	AN 1910 20	Speedo cable	1	--	From Jan. 07
	AN 1910 11	Speedo cable	1	--	Upto Dec. 06
5	39 1861 01	Counter sunk screw	2	2	For speedometer mtg. on dash board
6	35 1610 60	Clip nut	5	5	For speedometer mtg. on dash board
7	AN 1610 83	Dashboard assly comp.	1	1	From July 07
	AN 1610 53	Dashboard assly comp.	1	1	Upto June 07
8	AL 1613 85	Upper trim	1	1	From July 07
	AL 1611 55	Upper trim	1	1	Upto June 07
9	AN 1610 86	Switch cover	1	1	From July 07
	AN 1610 55	Switch cover	1	1	Upto June 07
10	AL 1613 81	Steering cover	1	1	From July 07
	AL 1611 61	Steering cover	1	1	Upto July 07

AN = GC1000 CNG
AT = MEGA CNG



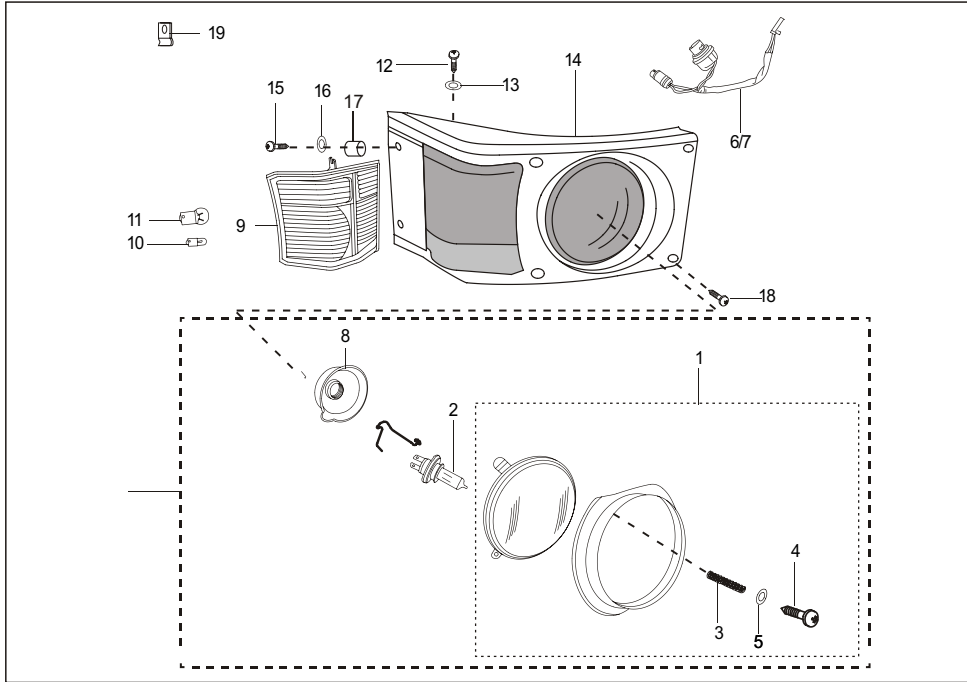
No.	Part No.	Description	AN	AT	Remarks
11	AL 1613 61	Lock tool box	1	1	with key
12	AL 1613 62	Lock stereo ltd	1	1	with key
13	39 0663 01	Sloted ch head screw	4	4	For mtg. of steering cover
14	39 0291 15	Hexagon nut	4	4	For mtg. of steering cover
15	39 0012 01	Cheese head screw	16	16	
16	39 0242 11	Plain washer	26	26	For mtg. of Dash Board
17	35 1610 60	Clip nut	8	8	
18	AT 1612 05	Speedo cable inner	--	1	
	AN 1910 21	Speedo cable inner	1	1	From Jan. 07
	AN 1910 18	Speedo cable inner	1	--	Upto Dec. 06
19	AL 2011 00	Mobile charger socket	1	1	

AN = GC1000 CNG
AT = MEGA CNG



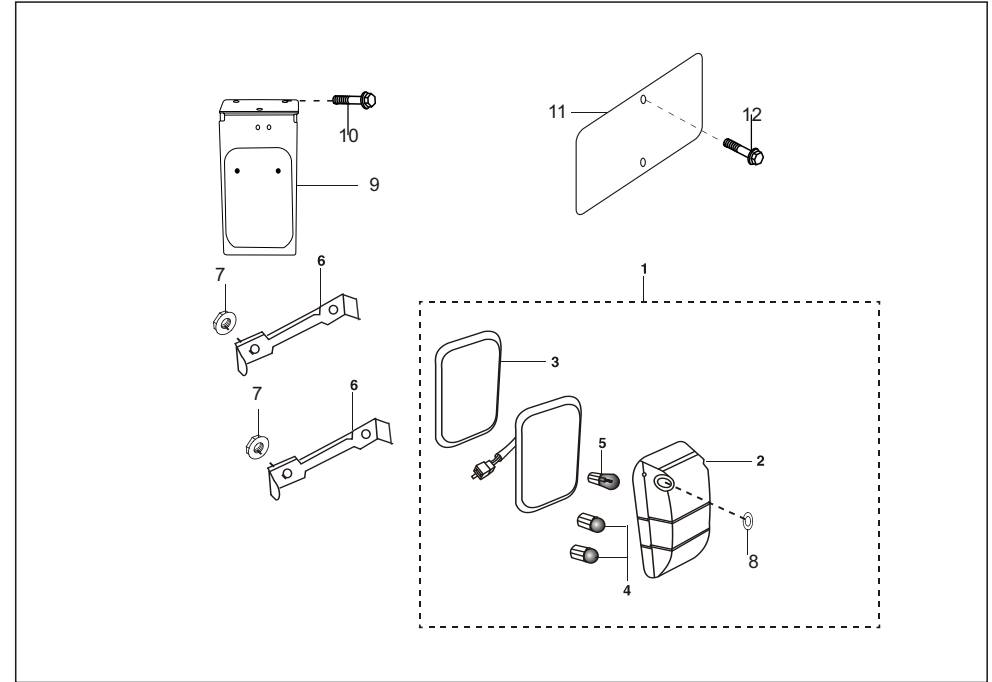
No.	Part No.	Description	AN	AT	Remarks
1	AP 2010 52	Head lamp assly. LH	1	1	} W/o bulb From July 07
	AP 2010 54	Head lamp assly. RH	1	1	
	AL 2010 27	H/L Assly.LH	1	1	W/o bulb Upto June 07
	AL 2010 29	H/L Assly.RH	1	1	W/o bulb Upto June 07
2	CL 2010 23	Lamp 12V-35/35w-HS1	2	2	
3	AL 2010 32	Spring -Head lamp Mtg	6	6	
4	39 0758 01	Screw pan cross-M5	6	6	For head lamp mounting
5	39 1839 11	Plain washer	6	6	For head lamp mounting
6	AL 2010 43	Cable assly.-Front Light LH	1	1	
7	AL 2010 44	Cable assly.-Front Light RH	1	1	
8	AP 2010 66	Rubber cap	2	2	
9	AL 2010 51	Ind assly. Front LH/ Lamp	1	1	
	AL 2010 17	Ind assly. Front RH/ Lamp	1	1	

AN = GC1000 CNG
AT = MEGA CNG



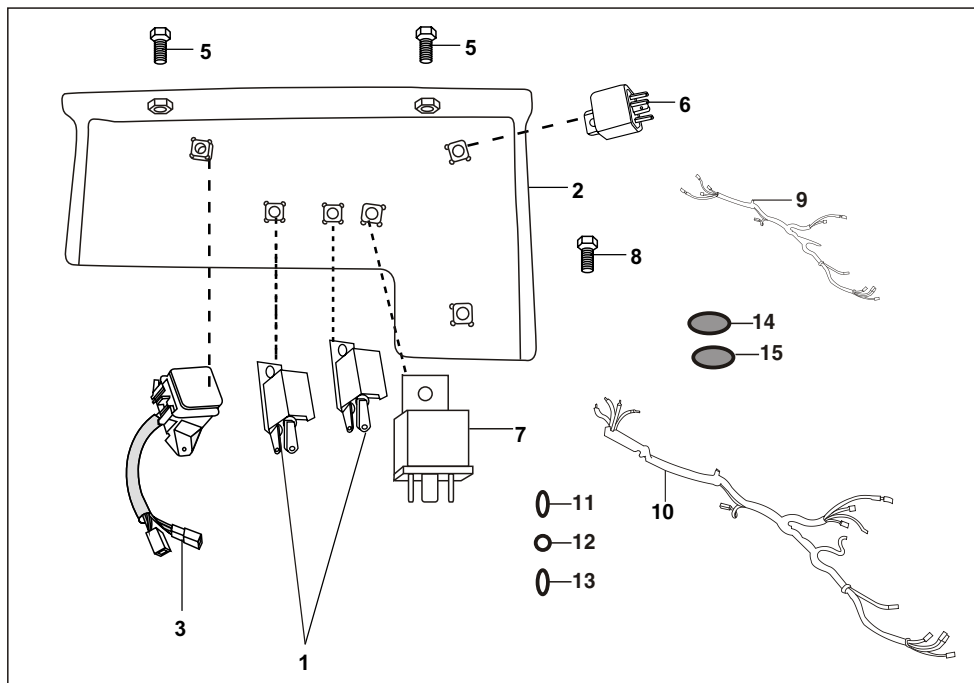
No.	Part No.	Description	AN	AT	Remarks
10	06 2010 82	Lamp 12V 5W	2	2	Parking
11	06 2010 83	Lamp 12V 10W	2	2	Blinker
12	39 1241 01	Screw pan cross	8	8	Ind.LH&RH
13	39 1839 11	Plain washer	8	8	Ind.LH&RH
14	AL 1613 69	H. Lamp-Blinker Hsg LH	1	1	From July 07
	AL 1613 70	H. Lamp-Blinker Hsg RH	1	1	From July 07
	AL 1611 14	H. Lamp-Blinker Hsg LH	1	1	Upto June 07
	AL 1611 15	H. Lamp-Blinker Hsg RH	1	1	Upto June 07
15	39 2757 01	Screw pan	4	4	Fitment of Headlamp blinker housing
16	39 1756 11	Plain washer	8	8	Fitment of Headlamp blinker housing
17	AL 1756 91	spacer	4	4	
18	39 1374 02	Self Tapping Screw	4	4	(Fitment of AL161114/15 with scudo)
19	35 1610 60	Clip Nut	12	12	For mounting dashboard & head lamp blinker housing on chassis

AN = GC1000 CNG
AT = MEGA CNG



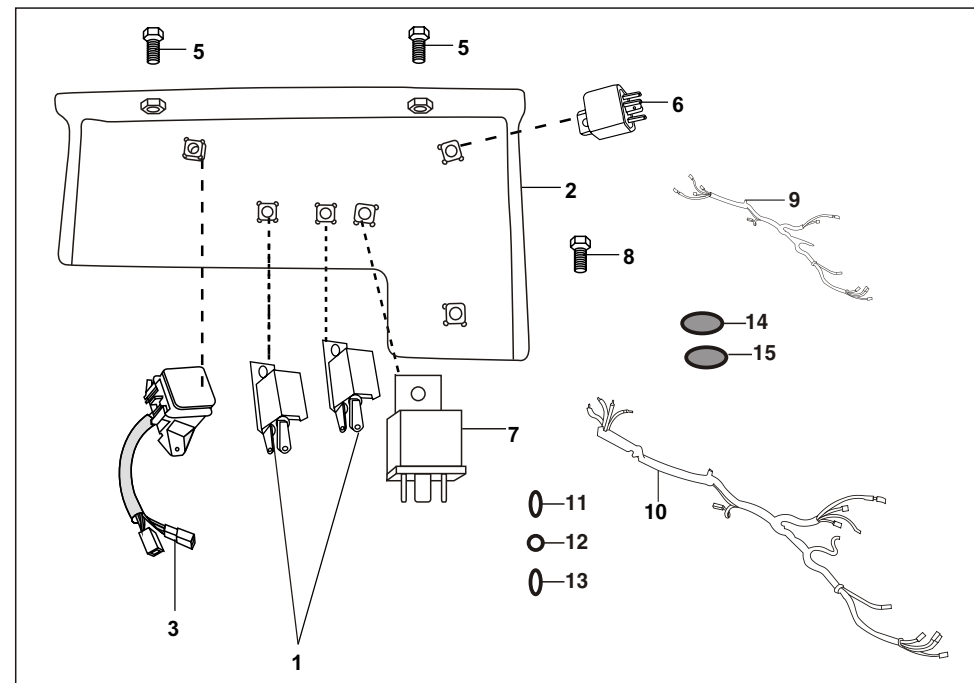
No.	Part No.	Description	AN	AT	Remarks
1	AA 2011 57	Tail Light LH/Lamp	1	1	
	AA 2011 60	Tail Light RH/Lamp	1	1	
2	AA 2011 61	Lens tail light	2	2	
3	AC 2010 21	Packing for tail light LH & RH	2	2	
4	06 2010 83	Lamp 12v 10w	4	4	For side & reverse lamp
5	30 2010 06	Lamp 12v 21/5w	2	2	For stop tail
6	AA 2010 90	Bkt for tail lamp	4	4	
7	39 0798 15	Flange nut	8	8	
8	39 1325 24	Washer	8	8	For tail light lens mounting
9	BB 2312 66	Tail lamp assly bkt LH	1	1	
	BB 2312 67	Tail lamp assly bkt RH	1	1	
10	39 1680 04	Flange bolt	4	4	
11	AL 1611 52	Number plate	2	2	
12	39 1680 04	Flange bolt	4	4	

AN = GC1000 CNG
AT = MEGA CNG



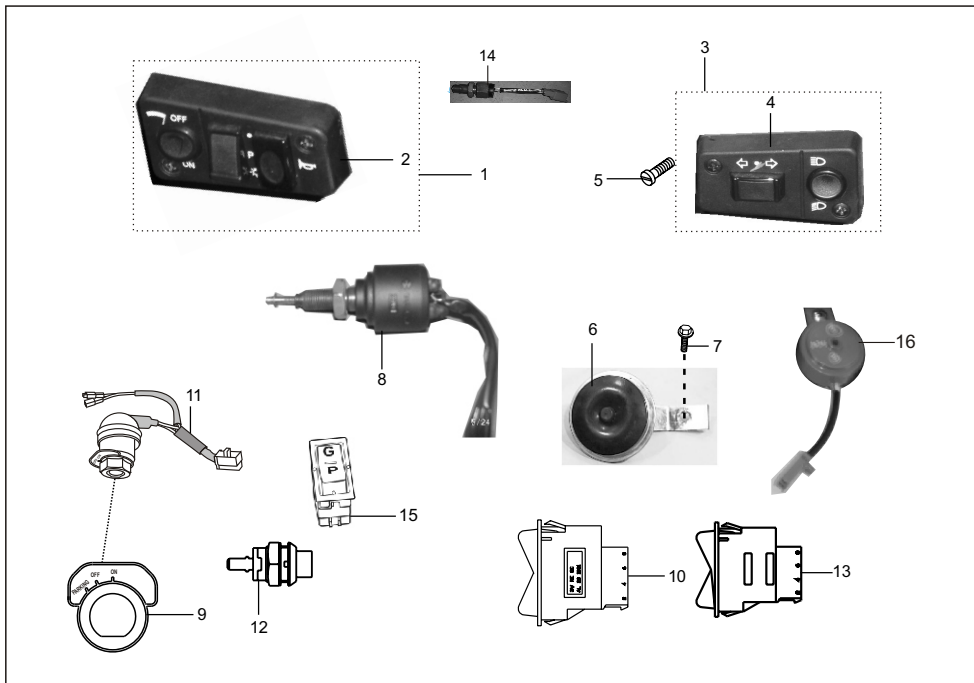
No.	Part No.	Description	AN	AT	Remarks
1	AL 2010 12	Relay head light	2	2	
2	AP 2010 37	Regulator Relay Mtg. plate	1	1	
3	AN 2010 12	Fuse box assly.	1	1	
4	AK 2010 12	Fuse 10A (Blade type)	1	1	N.I
5	39 0085 04	Hexagon head bolt / Flange	2	2	For mounting of fuse box
6	AB 2010 76	Flasher assembly	1	1	
7	AF 2010 01	Relay	1	1	
8	39 1063 01	Hex. head screw	1	1	For mounting of relay
9	AN 2010 15	Wiring harness front	1	--	N.I From July 07
	AN 2010 11	Wiring harness front	1	--	N.I Upto June 07
	AT 4022 03	Wiring harness front	--	1	
10	AN 2010 16	Wiring harness chassis	1	--	From July 07 (Max)
	AN 2010 14	Wiring harness chassis	1	--	From June 07 to July 07
	AN 2010 13	Wiring harness chassis	1	--	From Jan. 07 to May 07
	AN 2010 04	Wiring harness chassis	1	--	Upto Dec. 06
	AT 4022 01	Wiring harness chassis	--	1	

AN = GC1000 CNG
AT = MEGA CNG



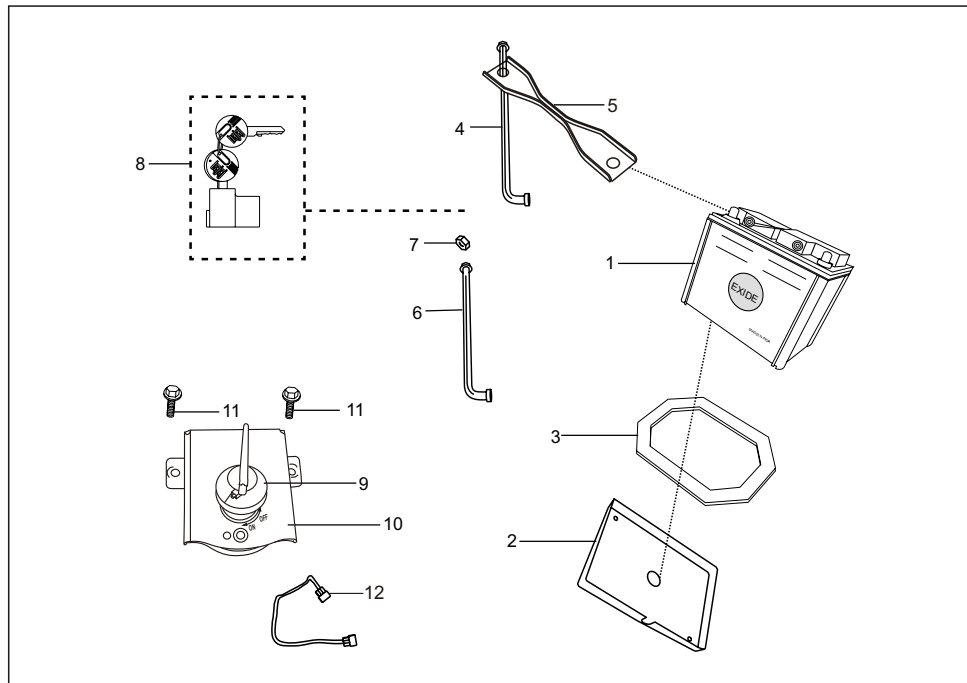
No.	Part No.	Description	AN	AT	Remarks
11	39 2374 23	Grommet	2	2	N.I For upper level & front cross member
12	22 2001 61	Grommet	1	1	N.I For horn cable routing
13	39 2373 23	Grommet	1	1	N.I For centre hole in upper part
14	39 2641 23	Grommet	1	1	N.I Plugging hole (Reverse cable)
15	39 2640 23	Grommet	1	1	N.I Plugging hole (Starter on dashboard)
16	AT 4022 05	Combined wiring harness	--	1	N.I.

AN = GC1000 CNG
AT = MEGA CNG



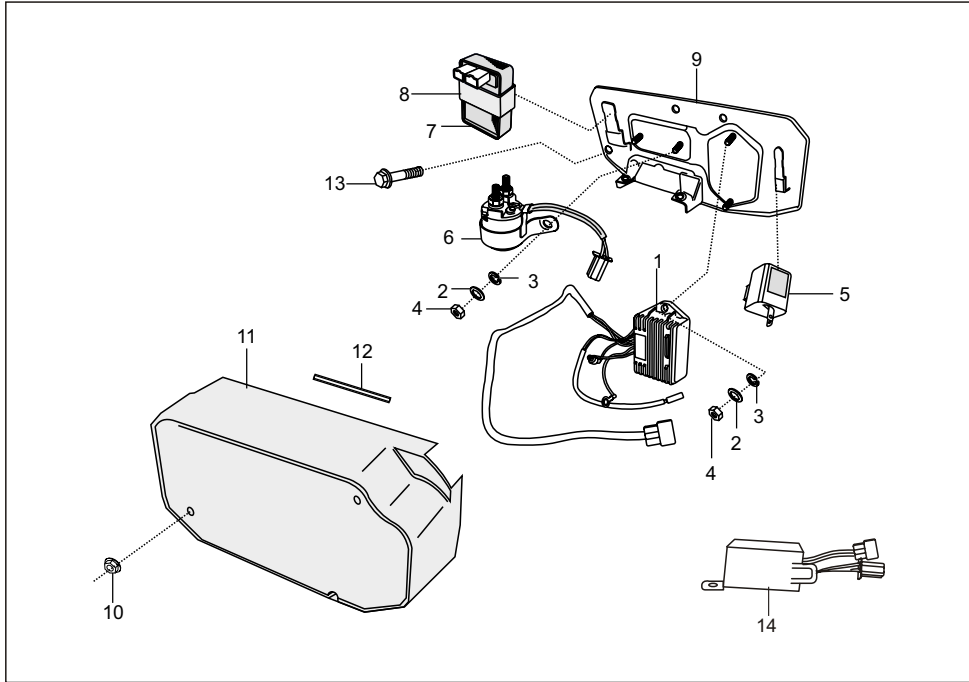
No.	Part No.	Description	AN	AT	Remarks
1	AL 2010 61	Control Switch RH	1	1	
2	AL 2010 87	Switch Cover RH	1	1	
3	AL 2010 60	Control Switch LH	1	1	
4	AL 2010 86	Switch Cover LH	1	1	
5	AL 2010 62	Slotted Ch. Hd. Screw	4	4	For mtg. control switch
6	AL 2010 81	Horn	1	1	
7	39 1557 04	Flange bolt	1	1	For mounting horn
8	AF 2010 94	Brake switch	1	1	
9	AP 2010 12	Label (Parking-OFF-ON)	1	1	
10	AL 2010 31	Switch for Stereo Connection	1	1	
11	AP 2010 36	Ignition Cum Parking Switch	1	1	
12	AF 2010 35	Start button	1	1	
13	AB 2010 77	Switch hazard waring	1	1	
14	AA 1110 31	Reverse switch	1	1	
15	AF 2010 89	Selector switch (G-O-P)	1	1	
16	BB 2010 23	Beeper	1	1	

AN = GC1000 CNG
AT = MEGA CNG



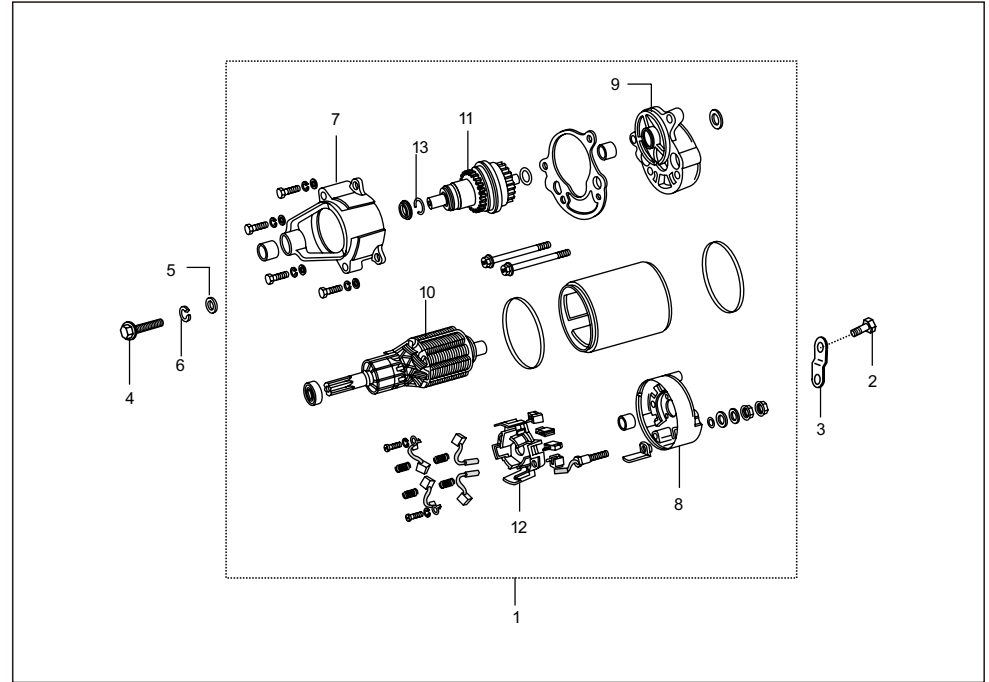
No.	Part No.	Description	AN	AT	Remarks
1	BA 2010 01	Battery 32A	1	1	
2	AN 1610 24	Base battery	1	1	
3	AN 1610 48	Liner battery base tray	1	1	
4	AN 1610 74	Clamp Assly, for battery mounting	1	1	
5	AN 1610 47	Packing battery top side	2	2	N.I. Upto Oct. 07
6	AN 1610 75	Tie Rod	1	1	
7	39 0817 15	Hex. Nut	1	1	For mtg. LPR on chassis
8	BB 2010 30	Lock battery	1	1	with key
9	AN 2010 08	Battery Cut-OFF switch with cable	1	--	
10	AT 4014 04	Battery Cut-OFF switch with cable	--	1	
10	AN 2010 05	Bracket battery cut-off	1	1	
11	39 1680 04	Flange bolt	6	6	
12	AN 2010 07	Cable battery cut off switch	1	--	
	AT 4022 07	Cable battery cut off switch	--	1	

AN = GC1000 CNG
AT = MEGA CNG



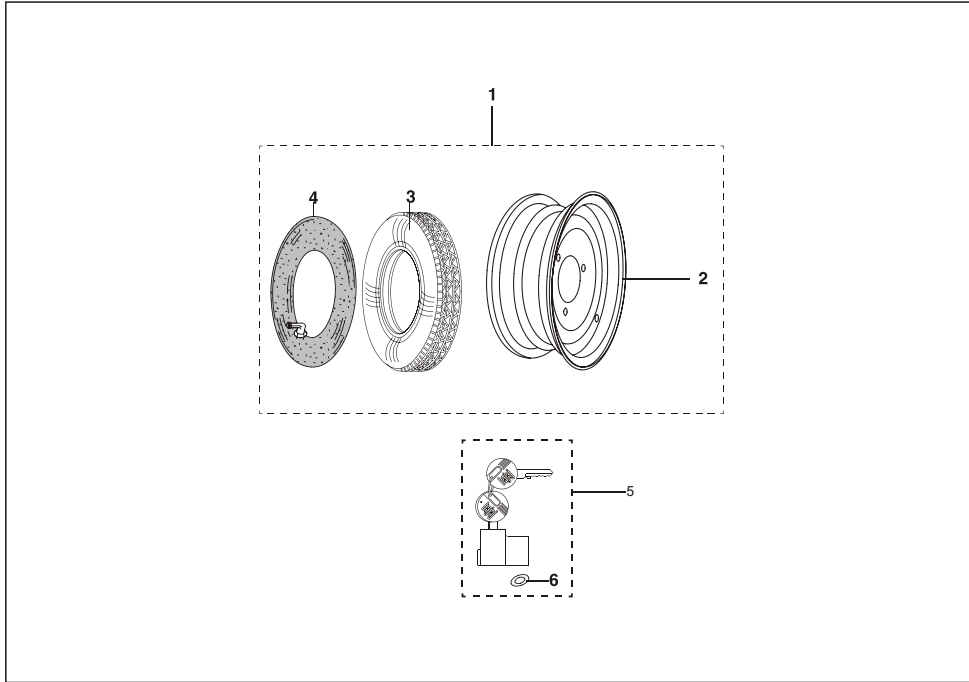
No.	Part No.	Description	AN	AT	Remarks
1	AF 2010 36	Assy. regulator	1	1	
2	39 0198 11	Plain washer	2	2	
3	39 0263 12	Spring washer	2	2	
4	39 0292 15	Hex nut	2	2	
5	AB 2010 76	Assembly D.C. Flasher	1	1	
6	AA 2010 12	Starter relay	1	1	
7	AN 1110 07	DC igniter	1	1	From Jan. 07
	AF 1110 16	DC igniter with starter interlock	1	--	Upto Dec. 06
8	AB 1110 11	Damper	1	1	
9	AA 1610 60	Plate assy. mtg. electrical units	1	--	
	AT 1110 18	Plate assy. mtg. electrical units	--	1	
10	39 0817 15	Flange nut	2	2	For mounting AA 1610 60
11	AA 1610 80	Cover - plate electrical unit	1	--	
	AT 1812 00	Cover - plate electrical unit	--	1	
12	AA 1610 81	Packing - cover	1	1	
13	39 1680 04	Flange bolt	2	2	For plate assy mtg. Chas.
14	AT 4020 01	Alarm control unit	1	1	For oil pre. & chock sensor

AN = GC1000 CNG
AT = MEGA CNG



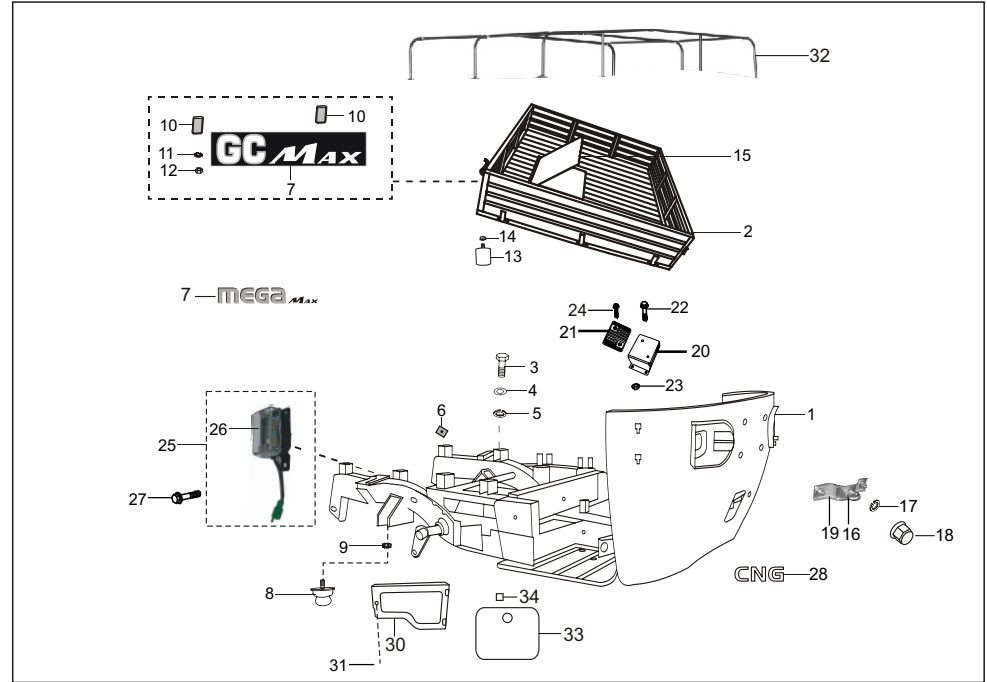
No.	Part No.	Description	AN	AT	Remarks
1	AA 1110 70	Starter motor	1	1	
2	39 1791 04	Flange bolt	1	1	
3	AN 1110 06	Support bracket assly.	1	1	
4	39 2234 04	Hex flange bolt	3	3	For Mounting
5	39 0198 11	Plain washer	2	2	Starter motor
6	39 1826 12	Spring washer	2	2	
7	AA 1110 78	Drive end bracket	1	1	
8	AA 1110 79	End cover assly.	1	1	
9	AA 1110 80	Intermediate bracket	1	1	
10	AA 1110 82	Armature assly.	1	1	
11	AA 1110 83	Gear shaft assly.	1	1	
12	AA 1110 85	Brush Box assembly	1	1	
13	AA 1110 87	Circlip/JMP ring	1	1	

AN = GC1000 CNG
AT = MEGA CNG



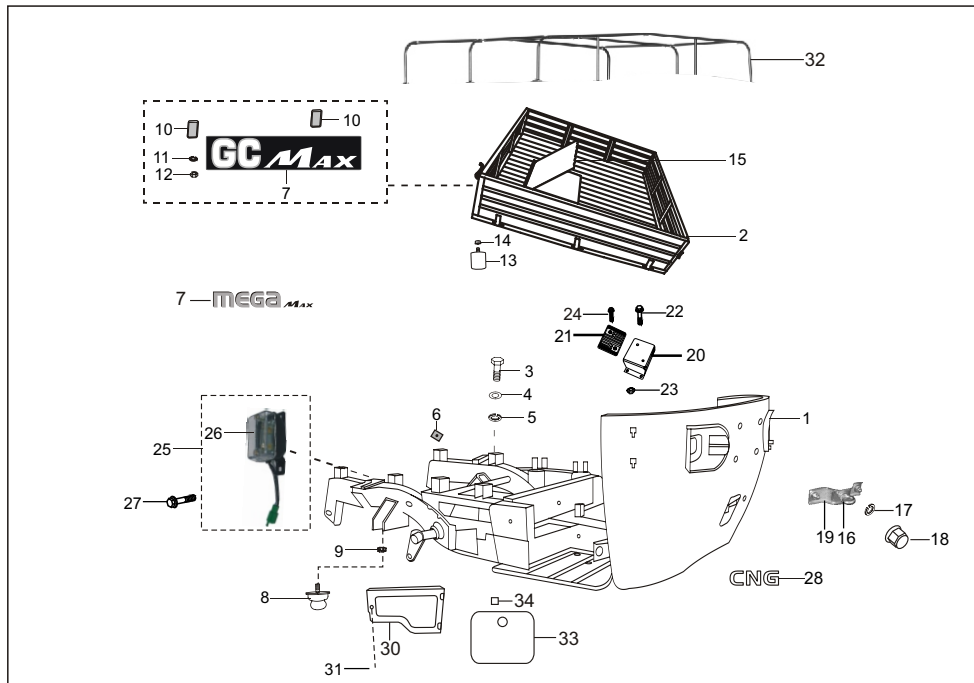
No.	Part No.	Description	AN	AT	Remarks
1	AL 1510 13	Wheel comp.	4	4	
2	AL 1510 14	Wheel rim Assly. with central part	4	4	
3	AL 1510 18	Tyre	4	4	Not to service
4	AL 1510 19	Tube	4	4	Not to service
5	BB 2010 30	Lock	1	1	For spare wheel with key
6	39 0230 11	Plain washer	1	1	For spare wheel mounting bracket

AN = GC1000 CNG
AT = MEGA CNG



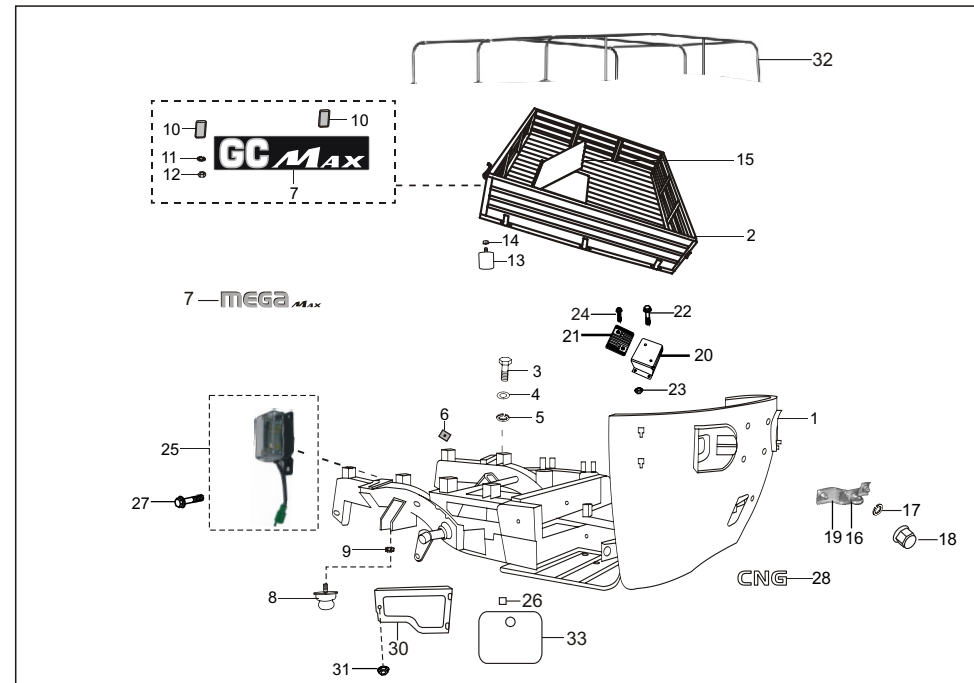
No.	Part No.	Description	AN	AT	Remarks
1	AN 1610 82	Bare chassis comp.	1	--	For GC CNG MAX From Aug. 07
	AN 1610 81	Bare chassis comp.	1	--	From June 07 to July 07
	AN 1610 02	Bare chassis comp.	1	--	Upto May 07
	AT 1110 01	Bare chassis comp.	--	1	
2	AL 2412 36	Tray-Frame assly low deck	1	--	For GC CNG MAX From Aug. 07 Upto July 07
	AL 2412 26	Tray-Frame assly high deck	1	--	
	AL 2411 09	Tray-Frame assly	1	--	
3	39 0390 04	Hexagon screw	6	--	For Tray mounting
4	39 0230 11	Plain washer	12	--	For Tray mounting
5	39 0265 12	Spring washer	6	--	For Tray mounting
6	AL 1610 69	Packing Tray frame	6	--	
7	AL 1613 91	GC MAX label	2	--	
	BB 1610 56	Mega MAX label	--	2	
	BB 2312 72	Mega MAX label (black yellow)	--	1	
	BB 2312 73	Mega MAX label (black black)	--	1	

AN = GC1000 CNG
AT = MEGA CNG



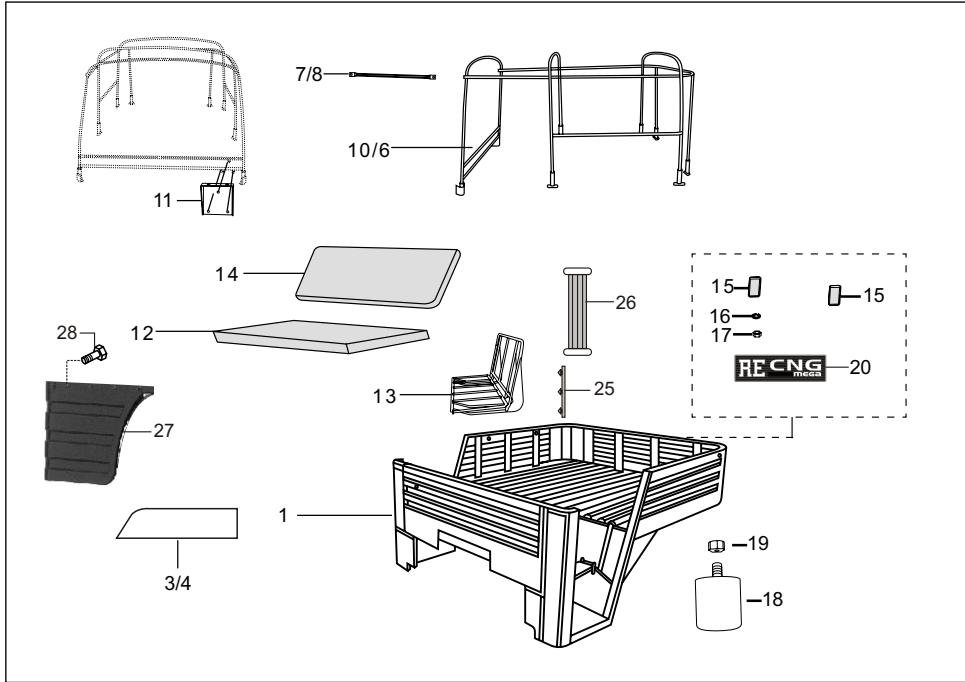
No.	Part No.	Description	AN	AT	Remarks
8	AL 1710 17	Rubber damper	2	2	
9	39 0690 15	Nyloc nut	2	2	
10	30 2010 69	Reflector reflex	2	2	
11	39 0262 12	Spring washer	2	2	For fitment of reflector
12	39 0291 15	Hexagon nut	2	2	For fitment of reflector
13	24 1612 56	Rubber buffer	4	4	
14	39 0294 15	Hex nut	4	4	For rubber buffer mounting
15	AL 2410 40	Door for Engine for tray	1	1	
16	AL 1612 35	Towing hook	1	--	
17	39 0265 12	Spring washer	2	--	Mounting Towing Hook
18	39 1651 15	Domed nut	2	--	Mounting Towing Hook
19	AL 1612 34	Support bkt.for towing hook	1	--	Mounting Towing Hook
20	AL 1612 97	Heel rest	1	--	
	BB 1610 50	Heel rest	--	1	

AN = GC1000 CNG
AT = MEGA CNG

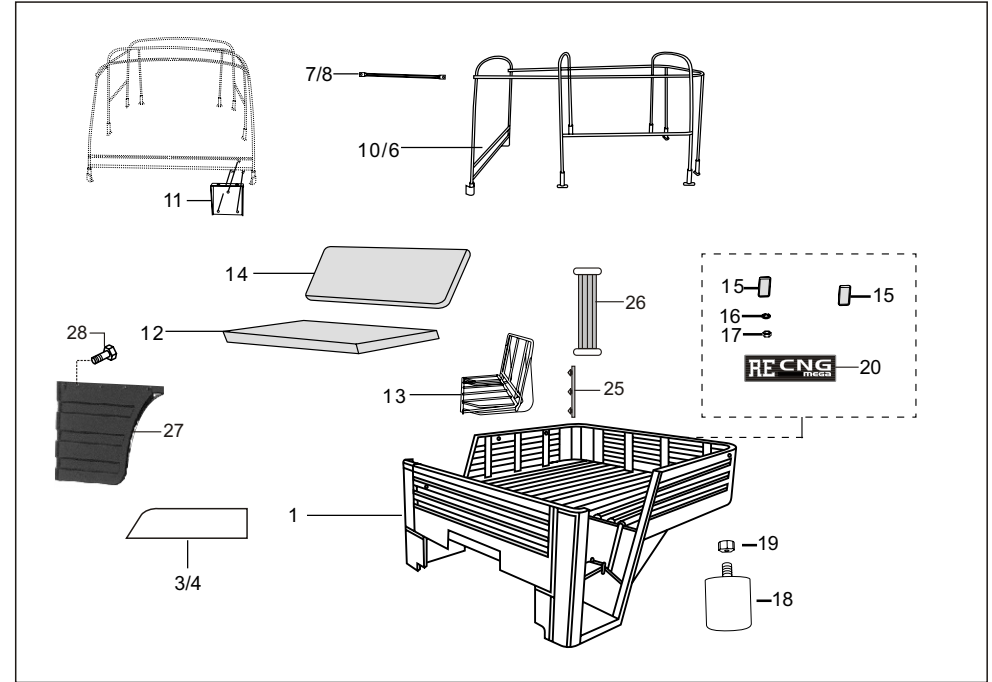


No.	Part No.	Description	AN	AT	Remarks
21	AL 1511 68	Pad heel rest	1	1	
22	39 1080 04	Flanged bolt small	4	4	For mounting of heel rest
23	39 0292 15	Flange nut	4	4	For mounting of heel rest
24	19 1611 51	Push rivet black	4	4	N.I
25	AL 2010 73	Assly. Light / Lamp	1	1	
26	22 1611 93	Foam strip	--	4	
27	39 2208 04	Flange Bolt	2	2	
28	AF 1610 40	Label CNG	1	1	
29	AT 2326 01	Lock set	--	1	N.I.
	AN 1810 03	Lock set	1	--	N.I.
30	AN 1610 62	Cover CNG kit	1	--	
31	39 2479 15	Flange nut	2	--	
32	AL 2412 27	Pipe structure assly.	1	--	
33	BB 1610 48	Cover lock able	--	1	

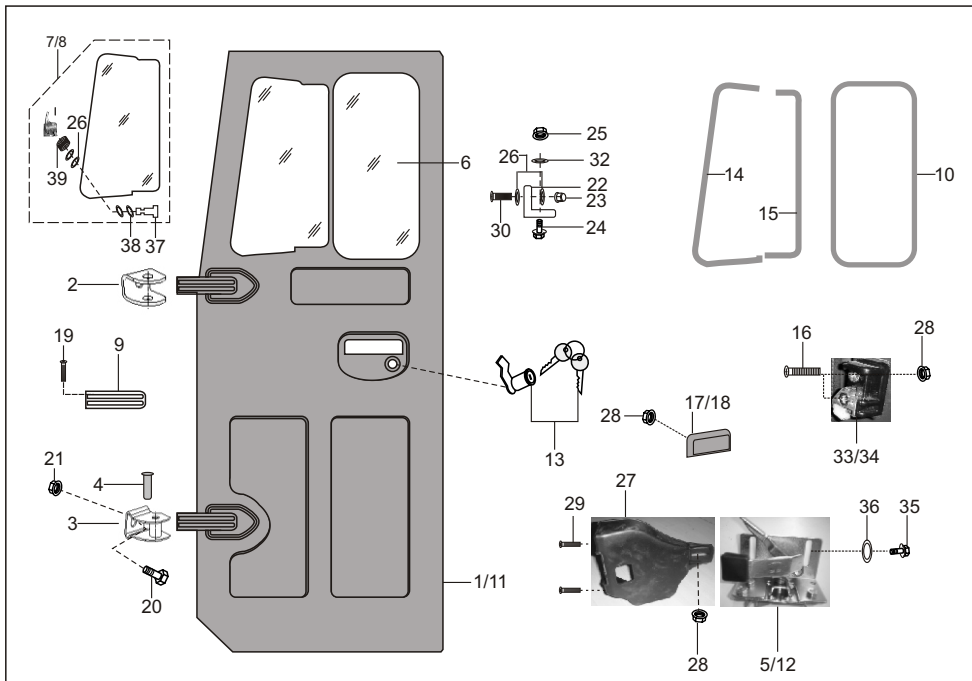
AN = GC1000 CNG
AT = MEGA CNG



No.	Part No.	Description	AN	AT	Remarks
1	AT 2110 01	Body assembly complete	--	1	
2	BB 2310 17	Hinge assembly	--	2	N.I.
3	BB 2310 14	Side panel cover LH	--	1	
4	BB 2310 15	Side panel cover RH	--	1	
5	AT 2130 02	Hood complete	--	1	N.I.
	AT 2130 03	Hood complete yellow	--	1	N.I.
6	BB 2310 06	Hood frame assembly	--	1	
7	BB 2311 01	Front hood mtg pipe assly LH	--	1	
8	BB 2311 01	Front hood mtg pipe assly RH	--	1	
9	BB 2311 02	Rear hood mtg pipe assly	--	6	N.I.
10	BB 2310 24	Hood stick assembly	--	1	
11	BB 2311 07	Bracket fare meter	--	1	
12	AT 1910 03	Passenger seat assembly	--	1	
13	BB 2310 33	Frame assly Passenger seat	--	1	
14	AT 1910 13	Passenger backrest assembly	--	1	
15	30 2010 69	Reflector reflex	--	2	

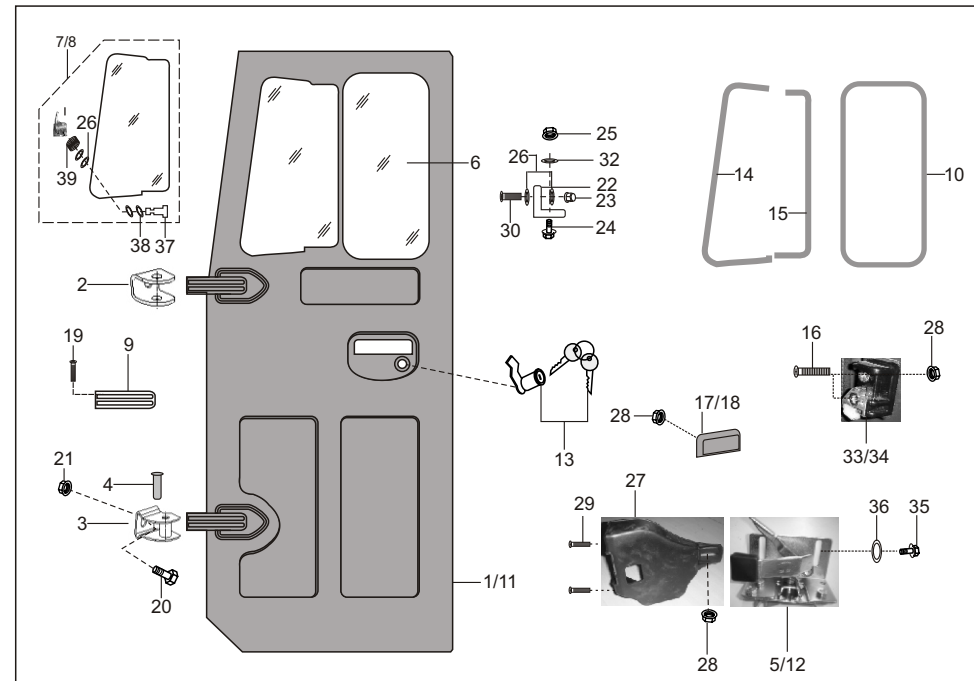


No.	Part No.	Description	AN	AT	Remarks
16	39 0262 12	Spring washer	--	2	For fitment of reflector
17	39 0291 15	Hexagon Nut	--	2	For fitment of reflector
18	24 1612 56	Rubber buffer	--	4	
19	39 0294 15	Hexagon nut	--	4	
20	AT 1110 16	RE MEGA CNG label	--	1	
21	39 0705 01	Screw	--	12	For mounting cover LH/RH
22	BB 2312 25	Matting passenger	--	1	N.I.
	BB 2311 41	Matting footstep LH	--	1	N.I.
	BB 2311 42	Matting footstep RH	--	1	N.I.
23	BB 2311 34	Pipe corner reinf	--	1	N.I.
24	BB 2312 35	Pipe corner reinf	--	1	N.I.
25	BB 2312 68	Damper	--	2	
26	BB 2312 69	Strap passanger seat	--	2	
27	BB 2312 37	Cover LH for body	--	1	
	BB 2312 38	Cover RH for body	--	1	
	39 0705 01	Screw	--	12	



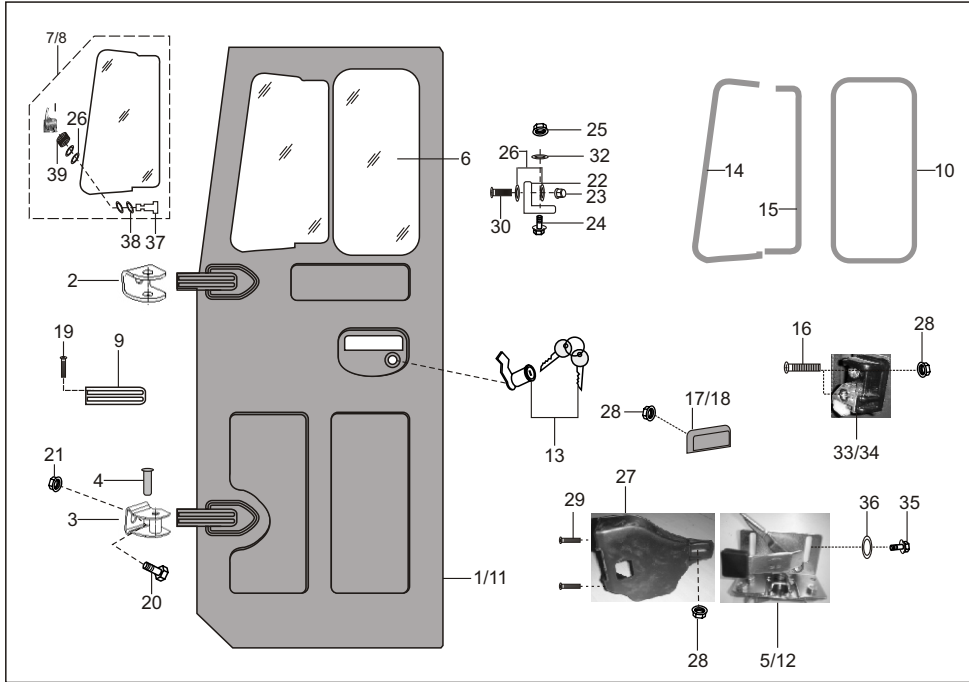
No.	Part No.	Description	AN	AT	Remarks
1	AL 2412 58	Door assly LH	1	--	
2	AL 2411 42	Door hinge link windshield	2	--	
3	AL 2411 43	Door hinge link scudo	2	--	
4	AL 2411 44	Door hinge pin	4	--	
5	AL 2412 18	Door lock assl. LH	1	--	
6	AL 2412 08	Fixed window glass	1	--	
7	AL 2412 81	Swelling glass assly RH	1	--	
8	AL 2412 82	Swelling glass assly LH	1	--	
9	AL 2411 86	Strip door limiting	1	--	
10	AL 2411 98	Beading for fixed glass	1	--	
11	AL 2412 59	Door assly RH	1	--	
12	AL 2412 19	Door lock assy RH	1	--	
13	AL 1810 32	Lock barral LH	1	--	With key From Nov. 07
	AL 1810 33	Lock barral RH	1	--	With key From Nov. 07
	AL 2412 71	Lock barral LH	1	--	With key Up to Oct. 07
	AL 2412 72	Lock barrel RH	1	--	With key Up to Oct. 07

AN = GC1000 CNG
AT = MEGA CNG



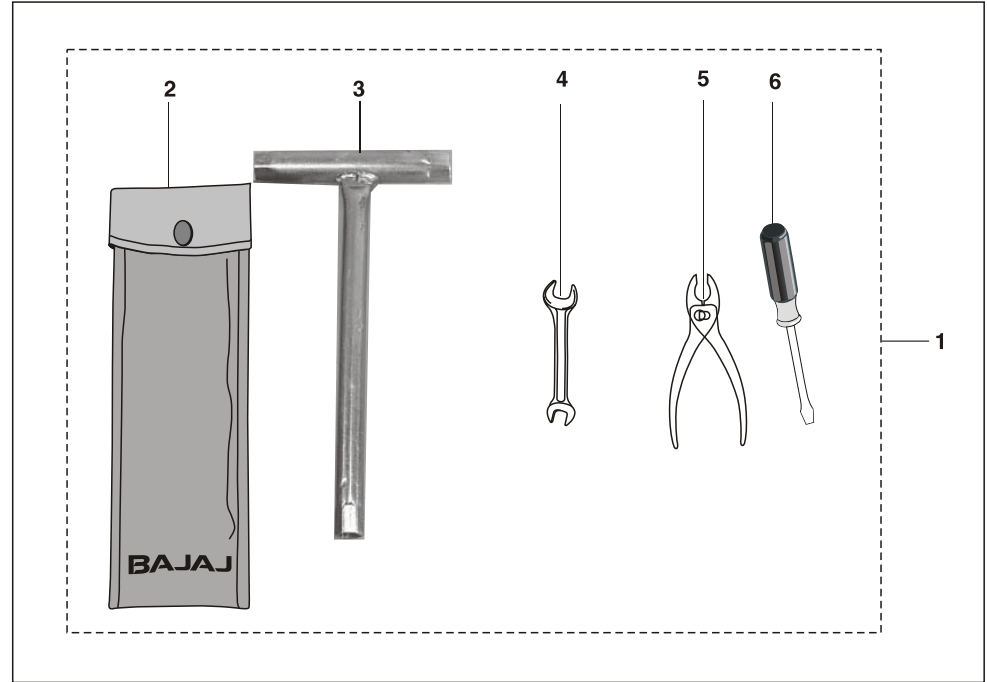
No.	Part No.	Description	AN	AT	Remarks
14	AL 2411 99	Beading for swelling glass	1	--	Front LH
	AL 2412 12	Beading for swelling glass	1	--	Front RH
15	AL 2412 00	Beading for swelling glass	2	--	Rear
16	39 0407 01	Screw	2	--	
17	AL 2412 53	Handle assly. LH	1	--	From Nov. 07
	AL 2412 20	Handle assly. LH	1	--	Up to Oct. 07
18	AL 2412 55	Handle assly. RH	1	--	From Nov. 07
	AL 2412 21	Handle assly. RH	1	--	Up to Oct. 07
19	39 1348 01	Screw	8	--	
20	39 2706 04	Hex bolts	4	--	
21	39 2479 15	Flange nuts	4	--	
22	AL 2411 88	Bracket	4	--	
23	39 0963 15	Dom nut	4	--	
24	39 0898 04	Flange bolt	4	--	
25	39 0292 15	Flange nut	4	--	

AN = GC1000 CNG
AT = MEGA CNG



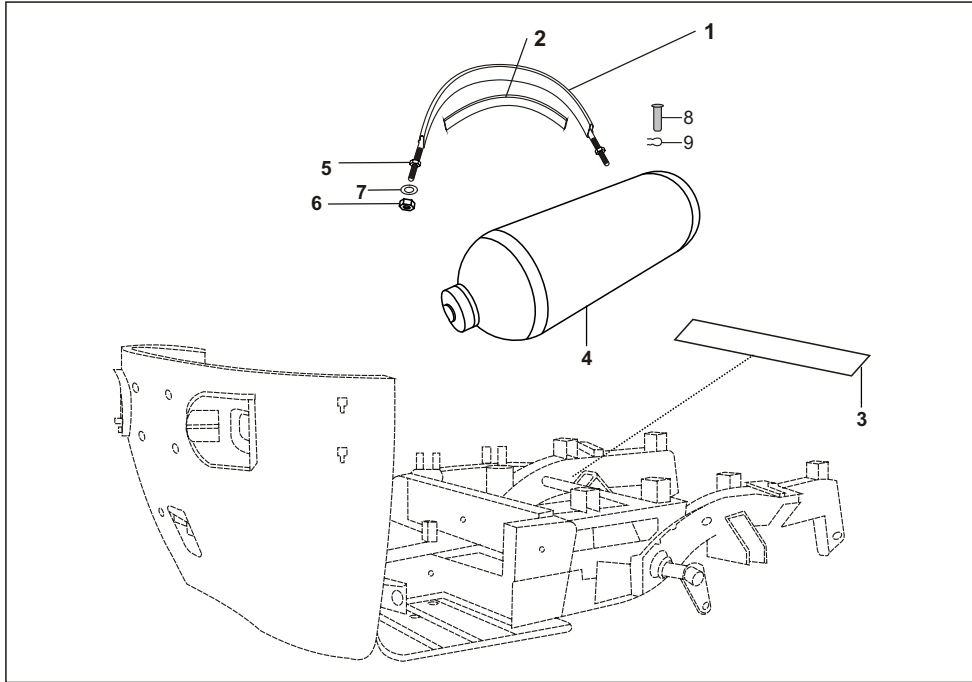
No.	Part No.	Description	AN	AT	Remarks
26	AL 2411 90	Nylon washer	12	--	
27	AL 2412 01	Cover door lock LH	1	--	
	AL 2412 02	Cover door lock RH	1	--	
28	39 1581 15	Flange nut	10	--	
29	39 0761 01	Screw	4	--	
30	39 1781 01	Screw	4	--	
31	AL 2412 66	Beading Door	2	--	N.I.
32	AL 2411 93	Washer	8	--	
33	AL 2412 16	Block assly comp. LH	1	--	
34	AL 2412 17	Block assly comp. RH	1	--	
35	39 1943 04	Flange bolt	4	--	
36	39 0804 11	Plain Washer	4	--	
37	AL 2411 92	Bolt	2	--	
38	39 1508 11	Plain washer	4	--	
39	AL 2411 89	Spring	2	--	

AN = GC1000 CNG
AT = MEGA CNG



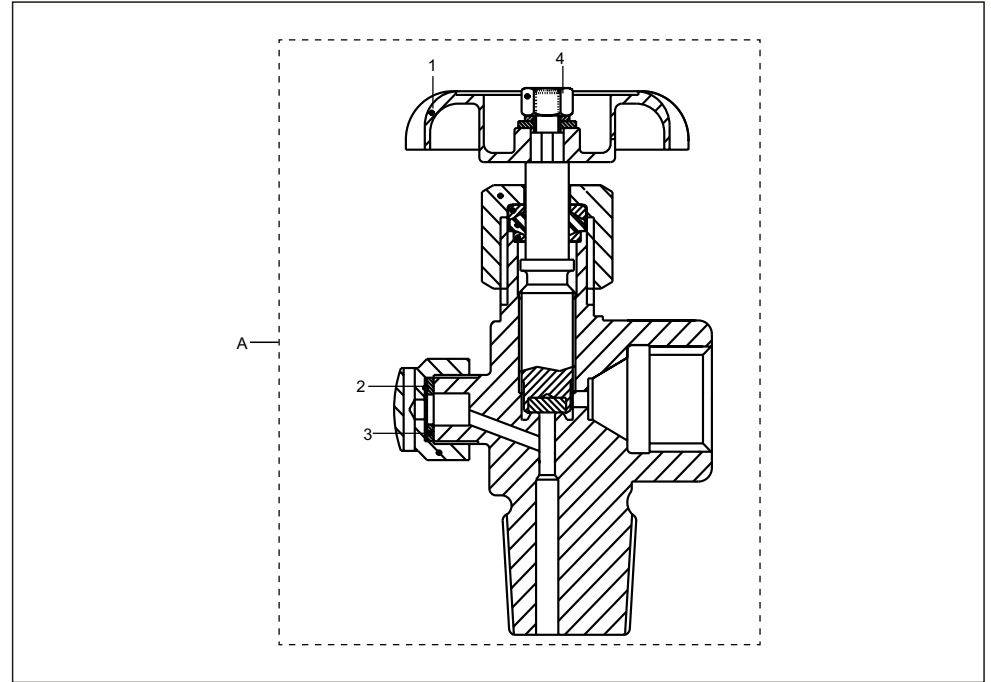
No.	Part No.	Description	AN	AT	Remarks
1	AN 2210 05	Tool kit	1	1	
*	24 2210 21	Flat Spanner 10 x 12	1	1	
*	24 2210 24	Flat Spanner 13 x 14	1	1	
*	24 2210 22	Flat Spanner 7 x 8	1	1	
*	AN 2210 02	Tube spanner 17x21	1	1	
*	05 2202 06	Tommy bar	1	1	
*	BB 2210 06	Wheel wrench	1	1	
*	BB 2210 07	Tommy bar	1	1	
*	24 2210 28	Tool Plier	1	1	
*	DJ 2210 14	Screw driver	1	1	
*	AN 2210 03	Tool Bag	1	1	

AN = GC1000 CNG
AT = MEGA CNG



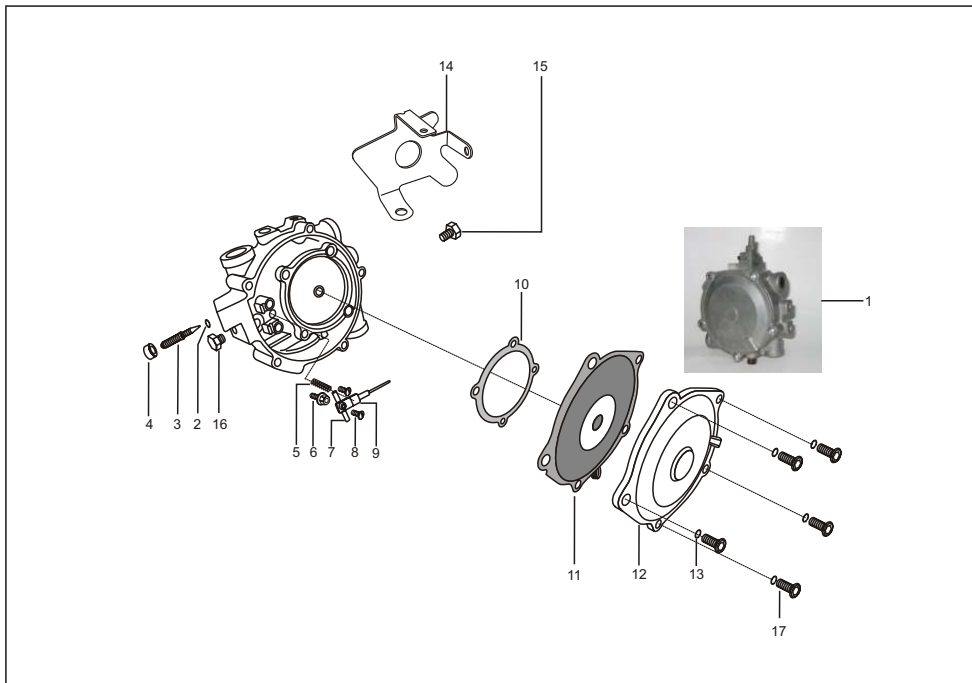
No.	Part No.	Description	AN	AT	Remarks
1	AN 1610 06 AT 1138 01	Cylinder strap Strap cylinder mtg.	2 --	-- 2	
2	AN 1610 08 AT 1138 03	Packing strap upper Beading for strap	1 --	-- 2	
3	AN 1610 09 AF 1610 88	Packing strap lower Packing lower	1 --	-- 1	
4	AN 1410 02 BB 1410 37	CNG cylinder CNG cylinder	1 --	-- 1	
5	39 029615	Hex. nut	4	4	For clamping of cylinder
6	59 1500 12	Nut Nyloc	4	4	
7	39 0201 11	Plain washer	4	4	
8	AF 1610 59	Pin CNG cylinder strap	--	2	
9	24 1410 91	Clip spring	--	2	

AN = GC1000 CNG
AT = MEGA CNG



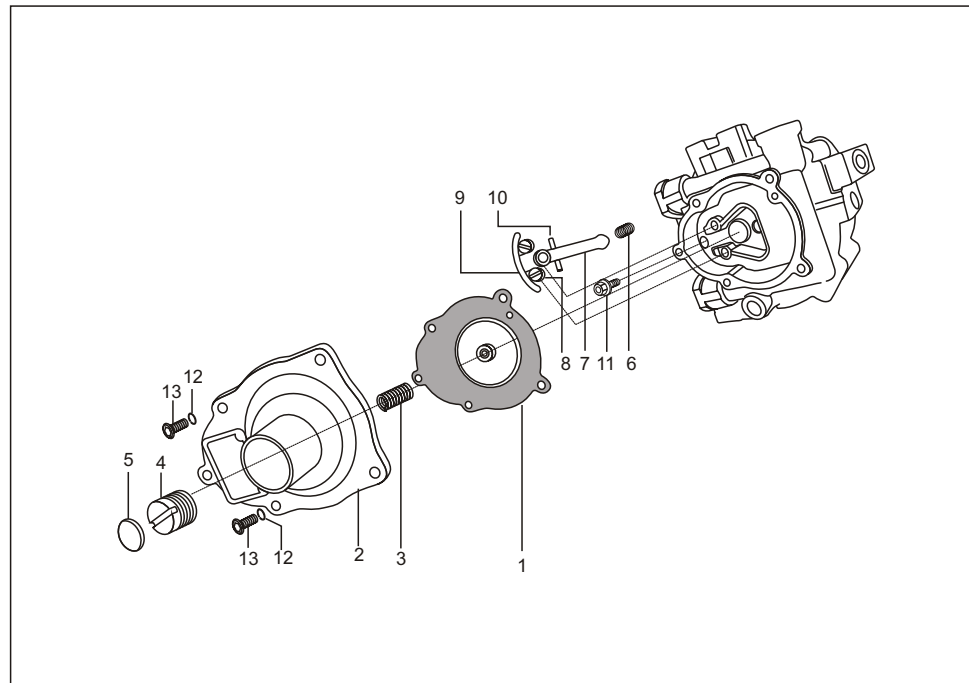
No.	Part No.	Description	AN	AT	Remarks
A	AF 1410 30	Valve for CNG	1	--	
1	AF 1410 08	Hand wheel	1	--	
2	AF 1410 09	Disc-CNG Cylinder valve	1	--	
3	AF 1410 10	Washer-CNG cylinder valve	1	--	
4	AF 1410 42	Hex nut	1	--	

AN = GC1000 CNG
AT = MEGA CNG



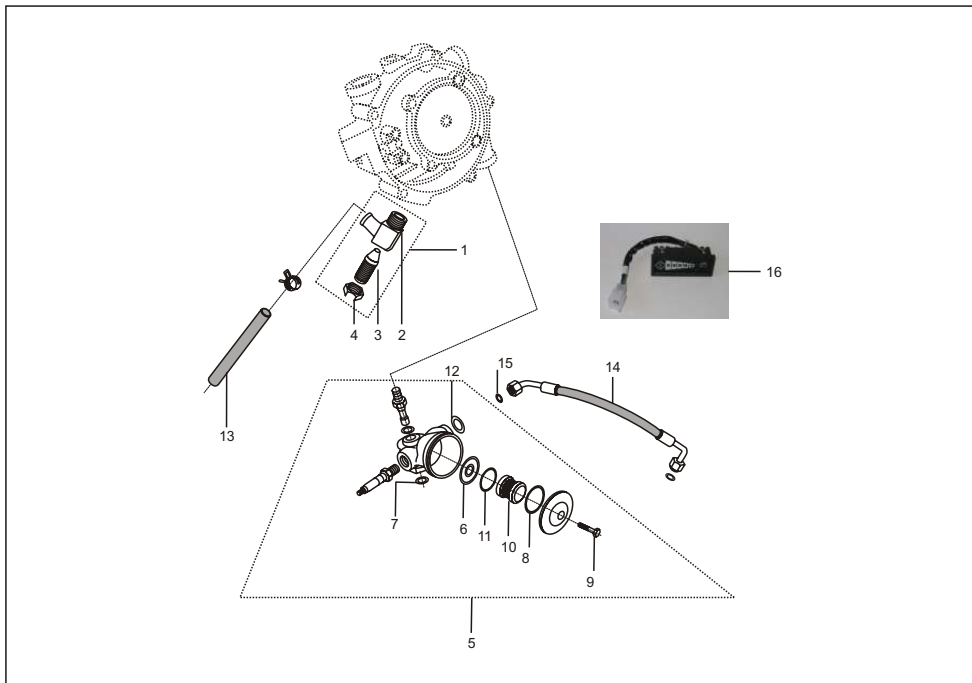
No.	Part No.	Description	AN	AT	Remarks
1	AN 1210 43	REGULATOR T-60	1	--	
2	AF 1213 50	O' Ring	1	--	
3	AN 1210 53	Screw,Adjustment(Idle screw)	1	--	
4	AF 1213 49	Lock Nut	1	--	
5	AN 1210 50	Spring,Secondary Lever	1	--	
6	AN 1210 52	Orifice,Secondary Regulator	1	--	
7	AF 1212 51	Pin,Secondary pivot	1	--	
8	AF 1212 59	Screw 10-32 UNF-2A	2	--	
9	AN 1210 51	Lever,Secondary	1	--	
10	AF 1212 62	Gasket,Diaphragm	1	--	
11	AF 1212 46	Diaphragm,secondary assy	1	--	
12	24 1211 81	Cover, secondary regulator	1	--	
13	AF 1212 64	washer,Split lock	5	--	
14	AN 1610 27	Bracket II nd stage regulator	1	--	
15	AF 1212 32	Bolt 1/4" NPT	1	--	
16	AF 1212 30	Plug 1/8"-27 NPT	2	--	
17	AF 1212 42	Screw 10-32 UNF-2A	5	--	

AN = GC1000 CNG
AT = MEGA CNG

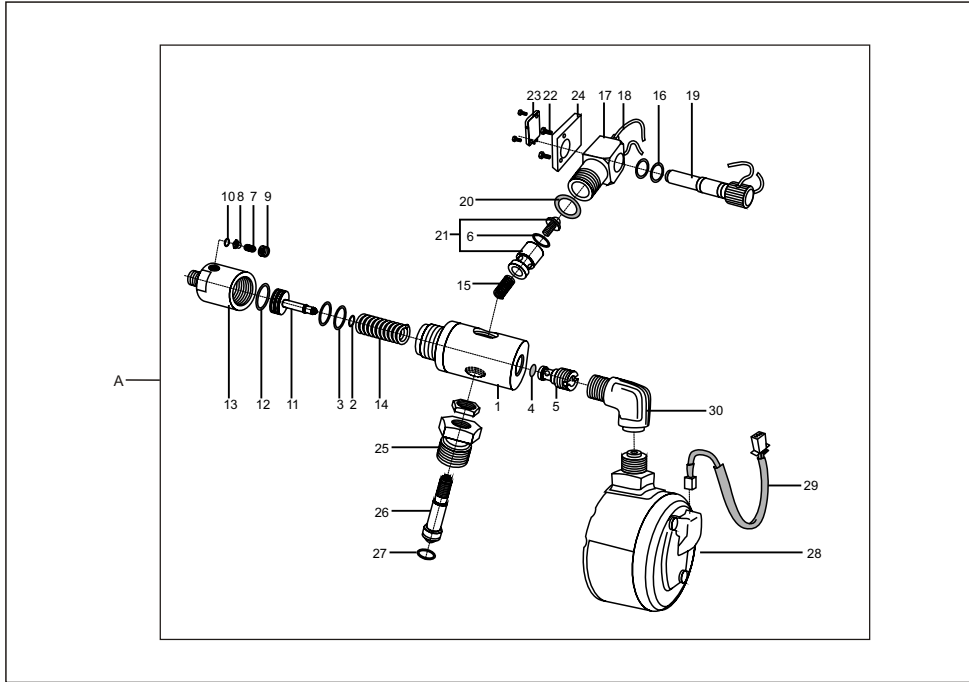


No.	Part No.	Description	AN	AT	Remarks
1	AF 1212 32	Primary Diaphragm Assy	1	--	
2	AF 1212 33	Cover-Primary regulator	1	--	
3	AF 1212 34	Spring primary	1	--	
4	AF 1212 35	Screw, Retainer, Adjustable spring	1	--	
5	AF 1212 36	Plug, Expansion	1	--	
6	AF 1212 37	Spring, Primary Lever	1	--	
7	AF 1212 38	Lever Assy,Primary	1	--	
8	AF 1212 39	Screw 10-32 UNF-2A	2	--	
9	AF 1212 40	Bridge, Primary	1	--	
10	AF 1212 41	Pin,Primary pivot	1	--	
11	AF 1212 43	Orifice, Primary Regulator	1	--	
12	AF 1212 64	Washer, Split lock	5	--	
13	AF 1212 42	Screw 10-32 UNF-2A	5	--	

AN = GC1000 CNG
AT = MEGA CNG

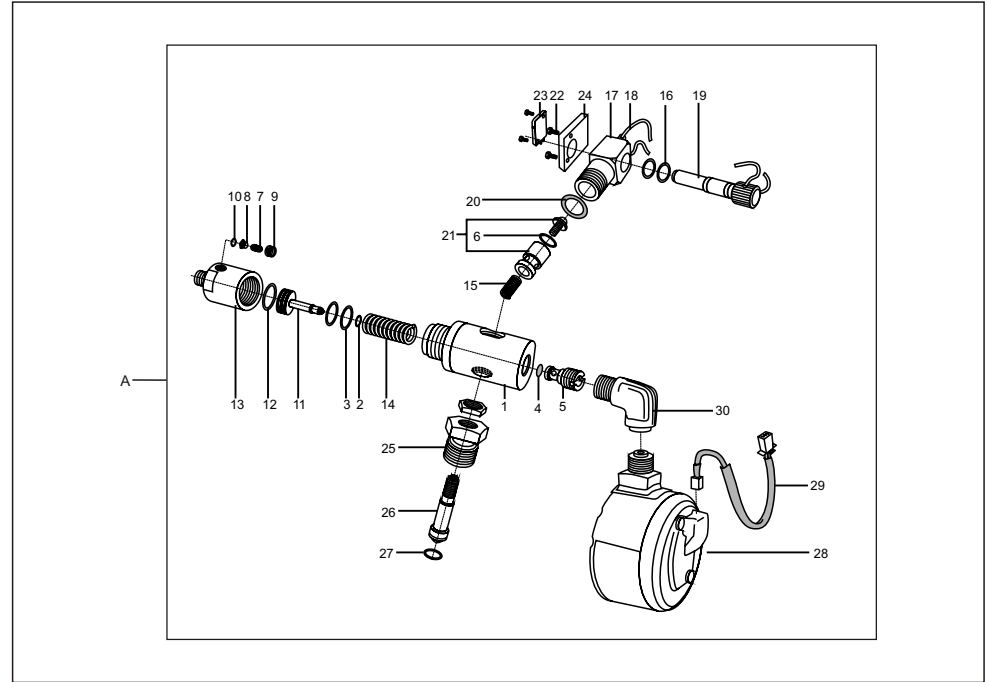


No.	Part No.	Description	AN	AT	Remarks
1	AN 1210 44	Power Valve assy	1	--	
2	AN 1210 63	Power Valve Elbow	1	--	
3	AN 1210 64	Power Screw	1	--	
4	AF 1212 68	Lock Nut	1	--	
5	AF 2010 71	Gas solenoid	1	--	
6	AF 2011 05	Nylon mesh filter	1	--	
7	59 2100 02	O ring	2	--	
8	59 2100 04	O ring	1	--	
9	59 0400 22	Bolt	1	--	
10	AM 1210 51	Assly paper filter	1	--	
11	59 2100 05	O ring	1	--	
12	59 1100 01	Washer copper	1	--	
13	AF 1213 45	Hose Breather	1	--	
14	AN 1210 47	Hose Flexible CNG	1	--	
15	AF 1210 12	Nylon washer	1	--	
16	AF 2010 73	Electronic level indicator	1	--	



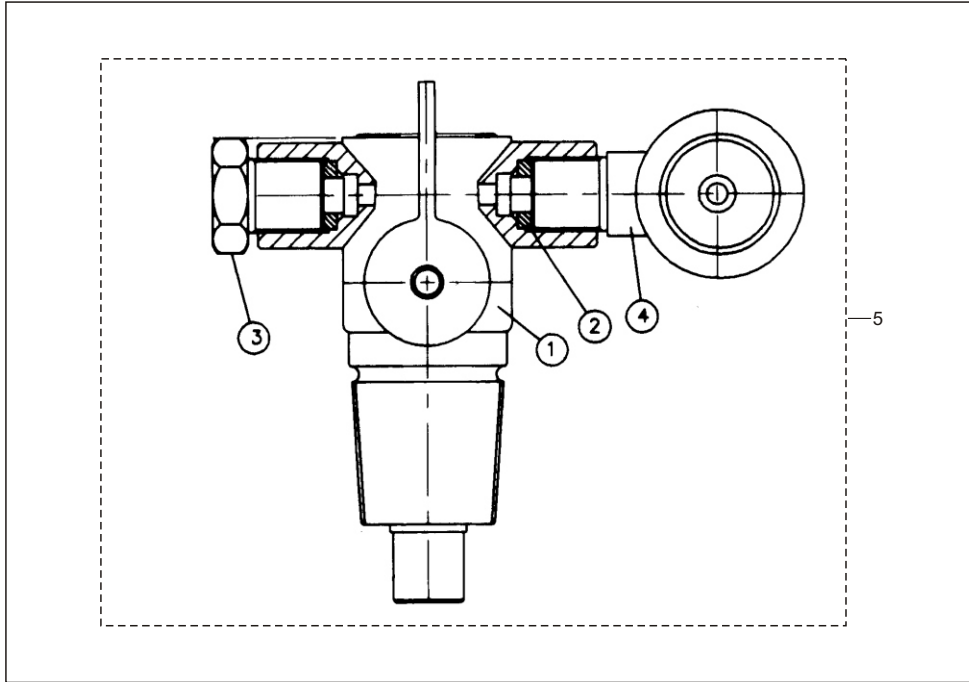
No.	Part No.	Description	AN	AT	Remarks
A	AN 1210 39	HPR 30 ASSY.	1	--	
1	AF 1212 02	Body - Inlet	1	--	
2	AF 1212 12	O - Ring - Stem	1	--	
3	AF 1212 20	O' Ring Piston	2	--	
4	AF 1213 41	Filter	1	--	
5	AF 1213 42	Retainer Filter	1	--	
6	AF 1213 43	O' Ring NRV	1	--	
7	AF 1212 07	Spring - Relief Valve	1	--	
8	AF 1212 08	Head - Relief Valve	1	--	
9	AF 1212 09	Cap - Relief Valve	1	--	
10	AF 1212 23	Insert	1	--	
11	AF 1212 04	Piston	1	--	
12	AF 1212 06	O - Ring Body	1	--	
13	AF 1212 03	Body - outlet	1	--	
14	AF 1212 05	Compression spring	1	--	
15	AF 1212 11	Spring-Filler valve	1	--	

AN = GC1000 CNG
AT = MEGA CNG



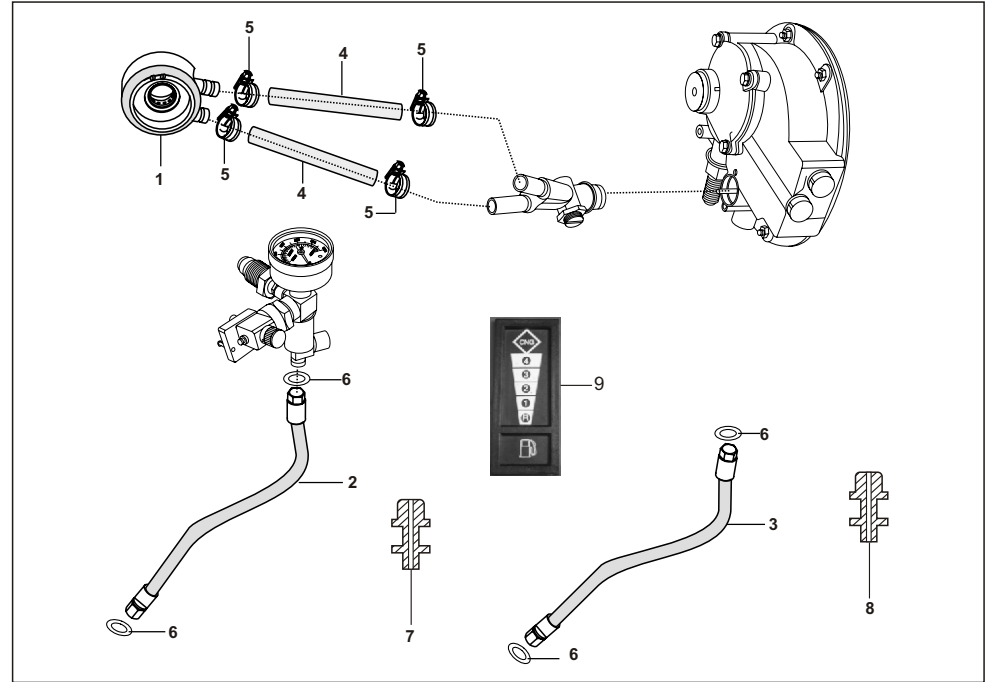
No.	Part No.	Description	AN	AT	Remarks
16	AF 1212 22	O ring Plug	2	--	
17	AF 1212 10	Body-filler Valve	1	--	
18	AF 1212 24	String	1	--	
19	AF 1212 14	Plug-Filler valve	1	--	
20	AF 1212 15	Washer Copper	1	--	
21	AF 1212 13	Plunger Filler Valve	1	--	
22	AF 1212 17	Screw Socket Head M3 x 17	4	--	
23	AF 2010 15	Micro Switch 12v DC,16A,3 Pin	1	--	
24	AF 1212 16	Base Plate-Microswitch	1	--	
25	AF 1212 28	Connector-Cylinder Valve	1	--	
26	AN 1210 61	Connector HPR	1	--	
27	59 2100 11	'O' Ring Connector Bull Nose	1	--	
28	AF 2010 74	Pressure Gauge	1	--	
29	AF 2011 04	Wiring Harness	1	--	
30	AM 1210 53	Connector Elbow	1	--	

AN = GC1000 CNG
AT = MEGA CNG



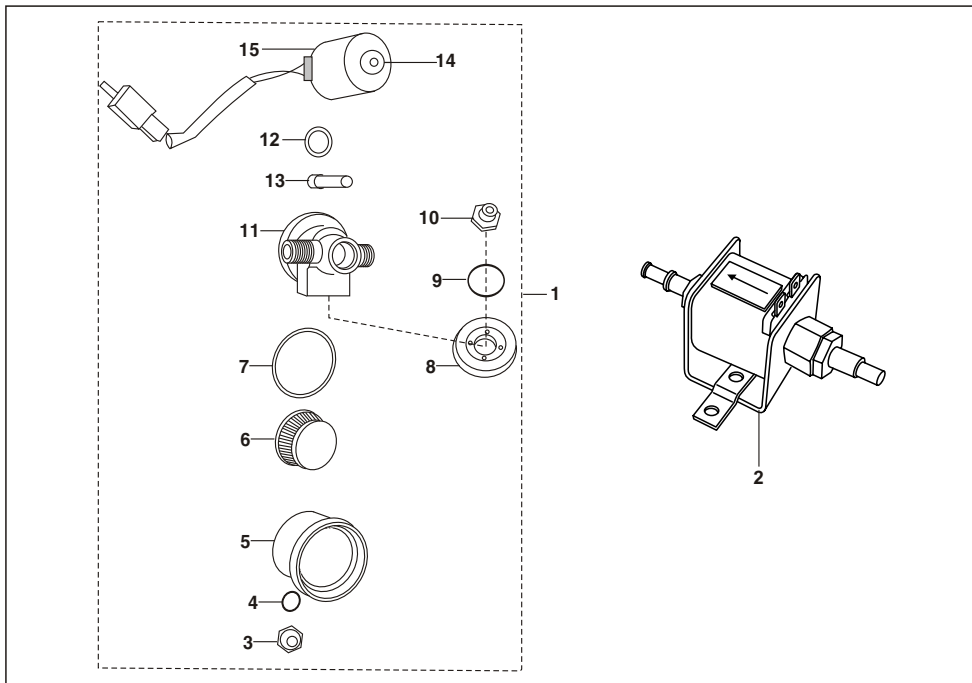
No.	Part No.	Description	AN	AT	Remarks
1	AF 1410 55	CNG Valve	--	1	
2	AF 1410 62	Washer	--	2	
3	AF 1410 61	Plug	--	1	
4	24 1212 36	Elbow	--	1	
5	AT 1720 10	CNG Valve with Elbow	--	1	

AN = GC1000 CNG
AT = MEGA CNG

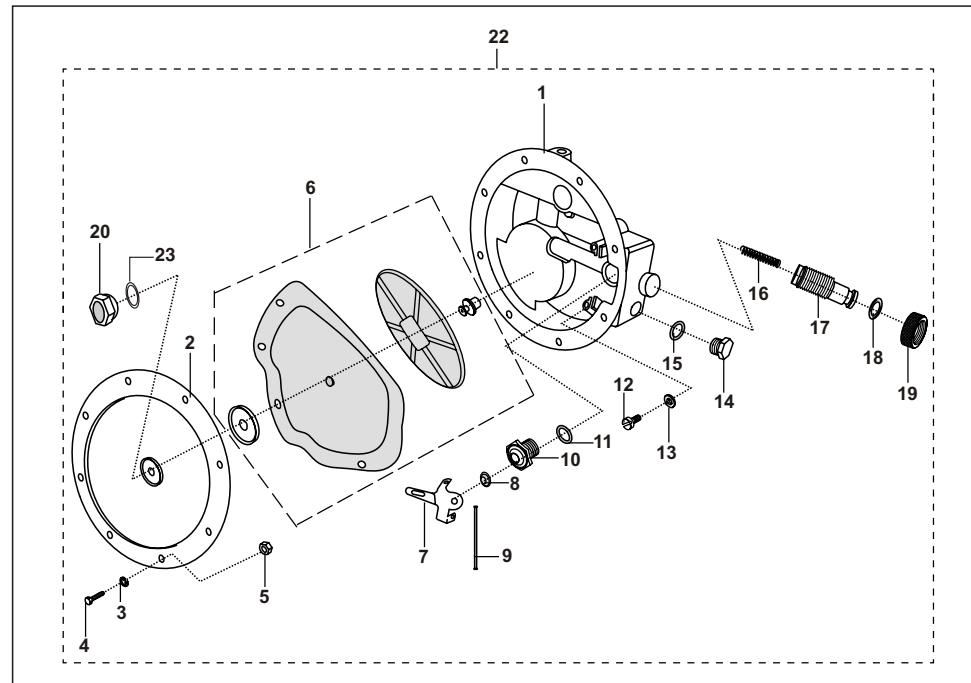


No.	Part No.	Description	AN	AT	Remarks
1	AN 1210 66	Mixer assly.	--	1	
2	AT 1720 05	Flexible hose assly. 1	--	1	From 1st stage regulator to filter
3	AT 1720 06	Flexible hose assly. 2	--	1	Filter to 2nd stage regulator
4	AT 1720 07	Low pressure hose pipe	--	2	2nd stage regulator to carb
5	BA 1011 66	Hose clip	--	4	
6	AF 1210 12	Washer	--	4	
7	AF 1213 15	Breather I	--	1	
8	05 1010 51	Breather II	--	1	
9	24 2013 34	Indicator Assly.	--	1	

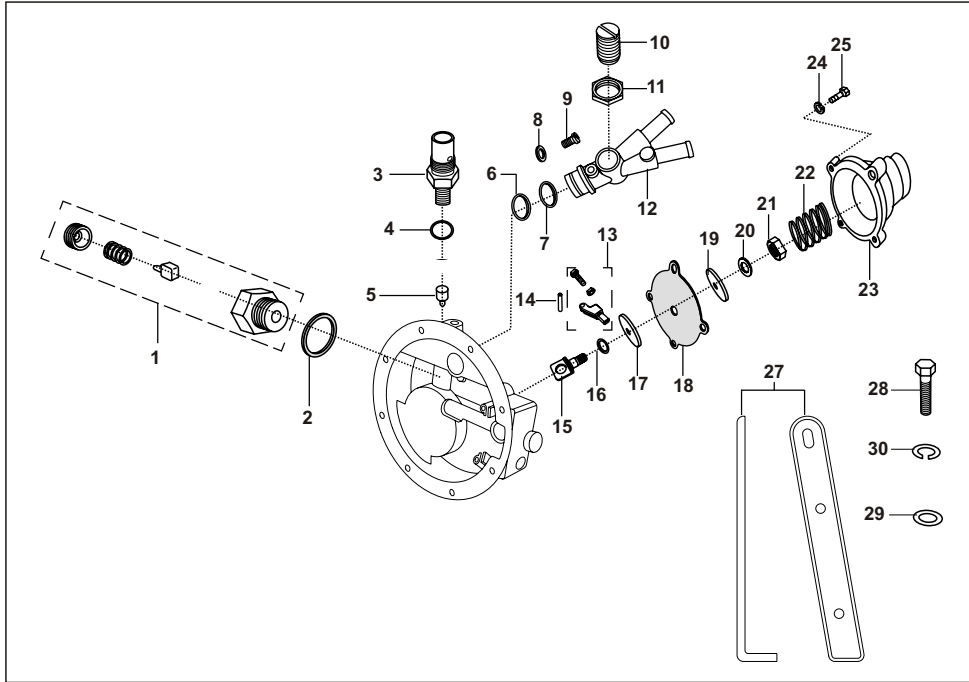
AN = GC1000 CNG
AT = MEGA CNG



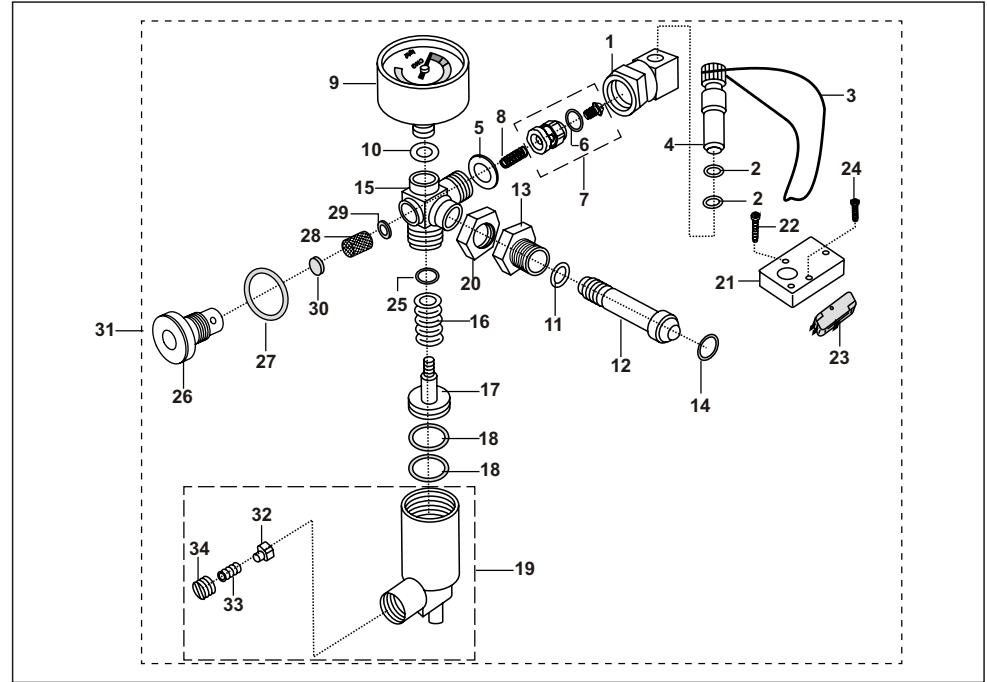
No.	Part No.	Description	AN	AT	Remarks
1	AF 2010 67	Solenoid -CNG paper filter	--	1	
2	AF 2010 23	Solenoid - petrol	--	1	
3	AF 1213 16	Drain plug	--	1	
4	AF 1213 17	'O' ring	--	1	
5	AF 1213 18	Bowl	--	1	Not to service
6	AF 1213 19	Paper filter	--	1	
7	AF 1213 20	'O' ring	--	1	
8	AF 1213 21	Spacer	--	1	Not to service
9	AF 1213 22	'O' ring	--	1	
10	AF 1213 23	Bolt	--	1	
11	AF 1213 24	Body	--	1	Not to service
12	AF 1213 25	'O' ring	--	1	
13	AF 1213 26	Plunger assembly	--	2	
14	AF 1213 27	Lock nut	--	1	
15	AF 2010 70	Coil assembly	--	1	



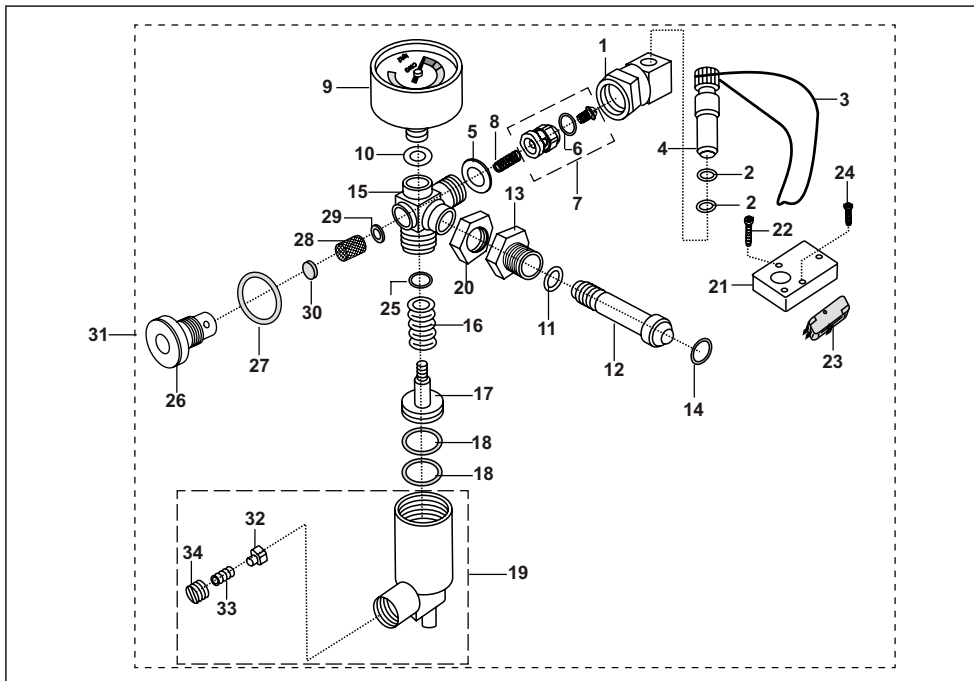
No.	Part No.	Description	AN	AT	Remarks
1	AF 1210 47	Body	--	1	
2	AF 1210 48	Bonnet	--	1	
3	AF 1210 49	Spring Washer	--	8	
4	AF 1210 50	Hex. Screw	--	8	
5	AF 1210 57	Nut	--	8	
6	AF 1211 51	Big Diaphragm sub assembly	--	1	
7	AF 1210 60	Lever	--	1	
8	AF 1210 62	Pad	--	1	
9	AF 1210 61	Lever Rod	--	1	
10	AF 1210 63	Seat	--	1	
11	AF 1210 64	Washer	--	1	
12	AF 1210 70	Cheese head screw	--	8	
13	AF 1210 71	Clamping washer	--	2	
14	AF 1210 65	Plug	--	1	
15	AF 1210 66	Washer	--	1	



No.	Part No.	Description	AN	AT	Remarks
16	AF 1210 79	'O' ring	--	1	
17	AF 1210 73	Top disc	--	1	
18	AF 1210 72	Diaphragm	--	1	
19	AF 1210 76	Bottom disc	--	1	
20	AF 1210 85	Washer	--	1	
21	AF 1210 78	Nut	--	1	
22	AF 1210 80	Spring	--	1	
23	AF 1210 75	Cover	--	1	
24	AF 1211 16	Spring washer	--	4	
25	AF 1211 14	Hex. Screw	--	4	
26	AF 1211 87	Spring guide	--	1	N.I.
27	AF 1610 63	Support II stage regulator	--	1	
28	39 2116 01	Hex. head screw	--	2	
29	39 1839 11	Plain washer	--	2	for support II nd stage reg.
30	39 0263 12	Spring washer	--	2	N.I



No.	Part No.	Description	AN	AT	Remarks
1	AF 1210 04	Refueling Adptor	--	1	
2	AF 1210 23	'O' ring	--	2	
3	AF 1210 24	String	--	1	
4	AF 1210 18	Dust plug	--	1	
5	AF 1210 25	Washer	--	1	
6	AF 1210 26	'O' ring	--	1	
7	AF 1211 09	1st stage Seat (NRV) sub assy.	--	1	
8	AF 1210 28	Spring	--	1	
9	24 2013 36	Pressure Gauge	--	1	
10	AF 1210 29	Washer	--	1	
11	AF 1210 30	Washer	--	1	
12	AF 1210 01	Connector	--	1	
13	AF 1210 31	Coupling screw	--	1	
14	AF 1210 32	'O' ring	--	2	
15	AF 1211 01	Junction Block	--	1	



No.	Part No.	Description	AN	AT	Remarks
16	AF 1210 34	Spring	--	1	
17	AF 1211 26	Piston assly.	--	1	
18	AF 1210 36	'O' ring	--	2	
19	AF 1211 25	1st stage Cylinder(SRV) sub assly.	--	1	
20	AF 1210 38	Lock nut	--	1	
21	AN 1210 44	Mounting plate	--	1	
22	AF 1210 45	Philips screw	--	2	
23	AF 2010 10	Microswitch	--	1	
24	AF 1210 46	Philips screw	--	2	
25	AF 1211 04	'O' ring	--	1	
26	AF 1211 05	Retainer	--	1	
27	AF 1211 06	'O' ring	--	1	
28	AF 1211 07	Filter	--	1	
29	AF 1211 08	Washer	--	1	
30	AF 1210 84	Pad	--	1	
31	AT 1720 04	First stage reduction unit	--	1	
32	AF 1211 27	Pad holder	--	1	
33	AF 1210 39	Relief valve spring	--	1	
34	AF 1210 40	Adjusting screw	--	1	

AN = GC1000 CNG
AT = MEGA CNG

Sr. No.	Kit Part No.	Kit Description	Consisting of Following Parts		
			Part No.	Description	Qty./Kit
1	AN101066	Piston ring set	AN101003	Ring piston top	1
			AN101004	Ring piston -II (Chrome plated)	1
			AN101005	Ring piston oil	1
			AL151048	Piston	2
2	AL151130	Major kit Whhell cylinder	AL151049	Wheel cylinder seal	2
			AL151047	Spring	1
			AL151050	Wheel cylinder boot	2
			AB151051	Bleeder screw	1
			AB151052	Bleeder cap	2
3	AL151131	Minor kit Whhell cylinder	AL151049	Wheel Cylinder seal	2
			AL151047	Spring	1
			AL151050	Wheel cylinder boot	2
4	AB151073	Major kit TMC (KBX)	AB151065	Primary piston complete	1
			AB151066	Secondary piston complete	1
			AB151068	Gasket	1
			AB151067	Secondary piston stopper	1
			39236017	Piston stopper circlip	1
			AB151088	Boot	1
			AB151089	Boot Ring	1
5	AB151074	Minor Kit TMC (KBX)	AB151127	Primary cup	2
			AB151128	Pressure cup	2
			AB151068	Gasket	1
			AB151088	Boot	1
			AB151089	Boot ring	1
6	24151097	Major kit TMC (Endurance)	24151075	Primary piston complete	1
			24151084	Secondary piston	1
			39236017	Circlip	1
			24151089	Screw - piston lock	1
			24151091	O' Ring	1
			AB151070	Protection boot	1
7	24151098	Minor kit TMC (Endurance)	24151076	Primary seal	2
			24151080	Secondary seal	2
			24151083	Plate valve	2
			AB151070	Protection boot	1
			39236017	Internal Circlip	1
			24151092	Seal oil port	1
8	36AL0001	Kit slider block	AL171065	Slider block	2
			24170425	Pin for slider block	1
9	36AL0003	Steering cone kit	AB181016	Bearing Race - Upper :- Inner	1
			AB181019	Bearing Race - Upper :- Outer	1
			AB181021	Ring - Lock :- Upper Race	1
			AL181004	Bearing Race - Lower :- Inner	1
			AL181003	Bearing Race - Lower :- Outer	1

Part No.	Figure No.	Page No.
01 1006 12	11	6
01 1007 11	7	14
01 1007 12	7	14
01 1007 13	7	14
01 1007 14	7	14
01 1007 15	7	14
01 1103 67	4	24
01 1201 21	9	26
01 1201 21	36	28
01 1601 26	8	49
01 1801 23	8	13
01 1902 05	9	52
03 1003 35	7	1
03 1701 09	5	34
03 1902 04	11	52
03 1902 06	10	52
05 1010 51	7	17
05 1010 51	15	101
05 1010 83	4	15
05 1510 12	8	17
05 1612 56	4	49
05 1612 56	12	30
05 1910 46	5	64
06 2010 83	4	75
06 1803 03	13	47
06 1910 89	6	52
06 2010 82	11	74
06 2010 83	12	74
13 1010 24	12	8
13 1010 31	10	7
13 1011 65	3	20
15 1011 71	5	14
15 1810 32	14	47
15 1810 33	15	47
15 1810 34	16	48
19 1210 22	3	26
19 1210 23	40	28
19 1210 39	15	26
19 1210 40	16	27

Part No.	Figure No.	Page No.
19 1611 51	24	85
21 1007 11	6	14
21 1504 22	6	61
21 1504 22	7	60
21 1704 16	3	67
21 1704 19	6	1
21 1802 07	5	50
21 1803 07	14	50
21 1803 08	16	51
22 1010 03	10	20
22 1310 14	5	16
22 1310 18	4	16
22 1504 07	3	61
22 1504 35	3	101
22 1504 35	4	61
22 1505 07	9	63
22 1611 93	34	85
22 1612 21	18	68
22 1612 38	19	68
22 1704 37	4	41
22 1710 07	7	43
22 1802 19	2	50
22 1810 25	1	50
22 1910 33	10	64
22 2001 61	12	77
22 2707 09	24	70
23 1613 05	9	34
24 1211 81	12	94
24 1211 95	14	26
24 1211 96	39	28
24 1212 36	4	100
24 1213 22	10	105
24 1213 23	11	105
24 1213 50	22	104
24 1213 51	12	105
24 1213 51	23	104
24 1301 05	4	17
24 1301 05	8	2
24 1301 11	3	16

Part No.	Figure No.	Page No.
24 1310 01	6	34
24 1310 07	3	34
24 1310 08	4	34
24 1310 09	7	16
24 1310 55	8	39
24 1401 15	3	37
24 1410 91	9	92
24 1504 06	2	61
24 1510 74	2	55
24 1510 75	3	55
24 1510 76	34	58
24 1510 77	27	58
24 1510 78	28	58
24 1510 79	26	57
24 1510 80	35	58
24 1510 81	29	58
24 1510 82	30	58
24 1510 83	32	58
24 1510 84	4	55
24 1510 85	31	58
24 1510 86	33	58
24 1510 87	7	55
24 1510 89	5	55
24 1510 90	9	56
24 1510 91	6	55
24 1510 92	14	56
24 1510 93	15	56
24 1510 94	8	56
24 1510 95	20	57
24 1510 97	16	57
24 1510 98	17	57
24 1511 55	1	55
24 1612 56	13	84
24 1612 56	18	87
24 17 1056	13	41
24 1704 25	9	39
24 1705 07	9	41
24 1710 66	5	41
24 1710 75	16	44

Part No.	Figure No.	Page No.
24 1710 82	2	41
24 1810 18	17	51
24 1910 19	12	63
24 1910 96	1	52
24 1910 98	3	52
24 1910 99	12	52
24 1911 00	2	52
24 1911 01	4	52
24 1911 05	8	52
24 2012 87	9	35
24 2013 34	16	101
24 2013 36	9	107
24 2210 21	5	91
24 2210 22	4	91
24 2210 24	6	91
24 2311 46	3	65
28 1010 22	10	31
28 1010 38	7	13
28 1010 57	13	8
28 1010 80	17	1
28 1011 10	13	6
28 1011 18	19	7
28 1011 19	4	7
28 1011 25	15	8
28 1011 29	7	8
28 1011 41	13	1
28 1011 67	2	9
29 0705 01	21	87
29 1210 33	20	27
30 1011 97	8	12
30 1510 39	2	17
30 1611 69	6	49
30 2010 06	5	75
30 2010 69	10	84
30 2010 69	15	86
30 2010 84	3	71
30 2110 05	11	33
31 1010 18	6	8
31 1010 19	5	8

Part No.	Figure No.	Page No.
31 1010 20	8	8
31 1010 22	4	8
31 1011 41	9	11
31 1011 73	5	6
33 1210 32	21	27
33 1410 07	12	37
33 1410 07	14	36
35 1010 60	14	17
35 1610 60	6	71
35 1610 60	17	72
35 1610 60	20	74
35 1710 40	8	45
35 2010 10	12	24
36 AL00 01	12	39
39 0798 15	8	75
39 0012 01	15	72
39 0062 04	10	34
39 0062 04	13	20
39 0071 04	4	50
39 0071 04	11	69
39 0071 04	18	48
39 0078 04	15	37
39 0078 04	20	68
39 0079 01	15	40
39 0080 04	18	21
39 0083 04	7	22
39 0085 04	4	69
39 0085 04	5	76
39 0085 04	19	70
39 0119 04	5	39
39 0119 04	10	101
39 0119 04	15	66
39 0146 08	8	62
39 0147 08	5	62
39 0192 10	6	50
39 0197 11	4	25
39 0197 11	4	65
39 0197 11	5	24
39 0197 11	11	66

Part No.	Figure No.	Page No.
39 0197 11	12	69
39 0198 11	2	80
39 0198 11	5	81
39 0198 11	6	18
39 0198 11	9	15
39 0198 11	15	50
39 0198 11	16	23
39 0199 11	7	62
39 0200 11	23	57
39 0201 11	3	22
39 0201 11	7	92
39 0201 11	8	50
39 0208 11	4	62
39 0213 11	6	13
39 0219 11	3	19
39 0219 11	3	49
39 0219 11	7	7
39 0223 11	8	20
39 0230 11	4	83
39 0230 11	5	29
39 0230 11	5	30
39 0230 11	6	82
39 0230 11	8	65
39 0242 11	16	72
39 0248 11	5	22
39 0248 11	8	22
39 0258 11	5	69
39 0262 12	5	25
39 0262 12	5	65
39 0262 12	6	24
39 0262 12	6	69
39 0262 12	8	101
39 0262 12	11	84
39 0262 12	12	66
39 0262 12	13	69
39 0262 12	16	87
39 0263 12	3	80
39 0263 12	9	67
39 0263 12	12	49

Part No.	Figure No.	Page No.
39 0263 12	17	23
39 0263 12	18	70
39 0263 12	30	106
39 0265 12	4	20
39 0265 12	5	83
39 0265 12	9	65
39 0265 12	11	101
39 0265 12	17	84
39 0265 12	24	57
39 0267 12	9	22
39 0268 12	17	54
39 0269 12	14	44
39 0289 15	5	20
39 0291 15	6	65
39 0291 15	7	69
39 0291 15	12	84
39 0291 15	13	66
39 0291 15	14	69
39 0291 15	14	72
39 0291 15	17	87
39 0292 15	4	80
39 0292 15	10	49
39 0292 15	11	34
39 0292 15	12	20
39 0292 15	25	89
39 0294 15	8	56
39 0294 15	14	84
39 0294 15	19	87
39 0295 15	12	36
39 0296 15	2	22
39 0296 15	4	45
39 0296 15	9	20
39 0296 15	10	22
39 0296 15	10	50
39 029615	5	92
39 0302 15	5	67
39 0303 15	13	44
39 0310 15	25	57
39 0312 15	19	21

Part No.	Figure No.	Page No.
39 0390 04	3	83
39 0390 04	7	65
39 0408 04	6	25
39 0423 04	18	54
39 0426 06	2	18
39 0426 06	6	15
39 0427 06	10	2
39 0428 17	9	43
39 0467 15	13	22
39 0505 04	2	49
39 0550 11	2	15
39 0557 17	13	9
39 0663 01	13	72
39 0682 05	4	1
39 0690 15	7	63
39 0690 15	9	84
39 0690 15	11	41
39 0690 15	17	21
39 0694 15	4	29
39 0694 15	11	63
39 0705 01	27	87
39 0711 11	8	67
39 0711 11	21	21
39 0714 11	11	40
39 0737 12	12	40
39 0737 12	19	42
39 0740 11	18	46
39 0745 01	9	1
39 0746 01	14	8
39 0747 01	8	19
39 0747 01	11	19
39 0747 01	12	2
39 0756 01	6	19
39 0758 01	4	73
39 0758 01	15	15
39 0761 01	7	24
39 0761 01	15	56
39 0788 12	17	66
39 0788 12	21	57

Part No.	Figure No.	Page No.
39 0789 12	3	45
39 0793 15	10	12
39 0804 11	14	15
39 0814 11	1	101
39 0814 11	11	49
39 0814 11	17	70
39 0814 15	23	85
39 0817 15	7	79
39 0817 15	10	80
39 0817 15	18	30
39 0817 15	26	70
39 0817115	22	48
39 0834 15	2	19
39 0834 15	9	7
39 0834 15	18	23
39 0855 17	4	31
39 0897 04	9	25
39 0897 04	22	21
39 0898 04	24	89
39 0939 15	15	45
39 0963 15	23	89
39 0973 15	10	8
39 0980 04	8	10
39 0999 06	8	31
39 1000 06	3	3
39 1000 06	4	5
39 1000 06	10	1
39 1000 06	10	17
39 1000 06	18	7
39 1013 21	3	1
39 1013 21	7	31
39 1024 01	9	8
39 1033 09	6	11
39 1035 19	3	8
39 1046 19	5	15
39 1053 15	12	6
39 1054 11	2	45
39 1057 11	10	11
39 1062 04	3	9

Part No.	Figure No.	Page No.
39 1062 04	8	29
39 1062 04	13	3
39 1063 01	8	76
39 1065 04	9	3
39 1065 04	10	24
39 1069 01	7	67
39 1075 04	5	31
39 1075 04	9	17
39 1075 04	11	2
39 1079 01	15	22
39 1080 04	22	85
39 1132 09	14	19
39 1165 01	27	27
39 1167 11	18	27
39 1180 11	2	101
39 1197 04	8	15
39 1214 20	5	1
39 1224 11	16	66
39 1224 11	18	57
39 1241 01	13	74
39 1263 21	11	7
39 1264 21	5	7
39 1271 21	12	45
39 1283 21	13	7
39 1324 20	2	6
39 1324 20	4	2
39 1325 24	9	75
39 1336 15	7	41
39 1336 15	20	46
39 1348 01	19	89
39 1353 15	10	67
39 1374 02	19	74
39 1377 04	6	20
39 1377 04	7	50
39 1389 04	20	57
39 1435 20	3	17
39 1435 20	5	2
39 1441 01	9	12
39 1478 17	7	5

Part No.	Figure No.	Page No.
39 1501 11	23	70
39 1537 21	7	3
39 1537 21	13	17
39 1543 21	3	5
39 1552 04	14	30
39 1553 04	8	33
39 1553 04	20	4
39 1557 04	7	78
39 1573 11	9	33
39 1575 11	3	31
39 1581 15	28	90
39 1582 11	19	57
39 1585 11	15	17
39 1587 21	1	34
39 1612 11	14	7
39 1630 15	13	2
39 1630 15	15	1
39 1630 15	17	17
39 1651 15	15	7
39 1651 15	18	84
39 1657 21	12	31
39 1663 11	2	60
39 1672 04	12	33
39 1673 04	18	32
39 1674 04	6	31
39 1674 04	10	9
39 1674 04	17	7
39 1676 04	11	1
39 1680 04	11	36
39 1680 04	11	79
39 1680 04	12	75
39 1680 04	13	80
39 1680 04	14	75
39 1680 04	17	68
39 1680 04	19	38
39 1680 04	21	68
39 1698 01	22	70
39 1702 07	6	62
39 1715 19	6	2

Part No.	Figure No.	Page No.
39 1716 19	7	2
39 1719 05	2	2
39 1721 04	11	3
39 1724 20	12	9
39 1727 11	19	4
39 1737 19	6	40
39 1738 21	15	31
39 1744 19	11	12
39 1753 15	3	60
39 1756 11	17	74
39 1765 11	19	48
39 1781 01	30	90
39 1791 04	2	81
39 1796 11	14	1
39 1826 12	4	19
39 1826 12	6	81
39 1826 12	7	18
39 1826 12	8	7
39 1826 12	10	15
39 1826 12	11	20
39 1827 12	10	41
39 1827 12	12	22
39 1829 12	4	22
39 1829 12	4	67
39 1829 12	7	20
39 1829 12	9	50
39 1830 12	3	50
39 1830 12	20	48
39 1839 11	5	73
39 1839 11	14	74
39 1839 11	29	106
39 1861 01	5	71
39 1869 19	6	17
39 1870 19	5	17
39 1870 19	9	2
39 1871 05	6	7
39 1885 15	9	6
39 1927 07	6	6
39 1938 15	10	10

Part No.	Figure No.	Page No.
39 1942 04	19	30
39 1956 04	18	38
39 1963 04	10	3
39 2008 11	11	11
39 2038 04	6	12
39 2038 04	14	40
39 2040 21	9	9
39 2116 01	28	106
39 2208 04	13	68
39 2208 04	15	33
39 2208 04	27	85
39 2234 04	4	81
39 2295 15	4	30
39 2295 15	13	50
39 2295 15	23	21
39 2360 17	10	56
39 2361 05	16	17
39 2373 23	13	77
39 2374 23	11	77
39 2393 04	1	22
39 2451 11	19	51
39 2464 17	5	40
39 2465 20	3	40
39 2479 15	17	38
39 2479 15	21	89
39 2479 15	31	85
39 2484 15	16	33
39 2516 04	16	46
39 2528 20	3	2
39 2538 15	13	40
39 2538 15	18	42
39 2592 01	18	51
39 2640 23	15	77
39 2641 23	14	77
39 2706 04	20	89
39 2757 01	16	74
59 0100 04	9	96
59 0400 22	12	96
59 0400 29	12	34

Part No.	Figure No.	Page No.
59 0500 01	2	7
59 1100 01	16	97
59 1200 01	26	27
59 1500 12	6	92
59 2000 12	6	43
59 2000 35	4	41
59 2100 04	11	96
59 2100 02	8	96
59 2100 05	15	96
59 2100 10	38	28
59 2100 11	27	99
59 2100 22	11	31
AA 2010 90	6	75
AA 2011 13	7	75
AA 2011 16	10	75
AA 2011 60	1	75
AA 1010 03	2	1
AA 1010 04	8	1
AA 1010 09	3	11
AA 1010 13	9	5
AA 1010 15	4	9
AA 1010 17	11	9
AA 1010 46	11	14
AA 1010 48	1	13
AA 1010 50	1	14
AA 1010 51	2	14
AA 1010 52	3	14
AA 1010 53	4	14
AA 1010 54	4	13
AA 1010 55	9	14
AA 1010 58	10	16
AA 1010 61	9	13
AA 1010 73	2	12
AA 1010 76	6	3
AA 1010 77	8	3
AA 1010 84	11	15
AA 1011 08	5	13
AA 1011 34	5	9
AA 1011 37	11	8

Part No.	Figure No.	Page No.
AA 1011 38	7	6
AA 1011 39	8	6
AA 1011 42	5	11
AA 1011 56	12	14
AA 1011 68	7	12
AA 1012 07	4	11
AA 1012 13	12	11
AA 1012 20	11	24
AA 1012 21	16	1
AA 1012 58	13	15
AA 1012 60	7	15
AA 1012 61	1	15
AA 1012 95	2	13
AA 1013 22	12	19
AA 1013 28	12	1
AA 1013 37	12	3
AA 1013 45	10	6
AA 1013 64	7	10
AA 1013 84	9	24
AA 1013 85	5	19
AA 1013 92	10	14
AA 1013 96	2	3
AA 1014 00	7	11
AA 1014 01	8	11
AA 1014 24	4	6
AA 1014 66	1	3
AA 1014 68	15	3
AA 1014 70	2	10
AA 1014 71	3	10
AA 1014 72	5	10
AA 1014 73	6	10
AA 1014 74	9	10
AA 1014 75	18	4
AA 1014 78	4	10
AA 1014 79	3	12
AA 1014 81	1	12
AA 1014 84	4	12
AA 1014 91	5	12
AA 1014 96	9	19

Part No.	Figure No.	Page No.
AA 1015 12	10	19
AA 1015 14	13	19
AA 1015 16	7	9
AA 1015 31	8	9
AA 1015 48	9	31
AA 1015 49	4	3
AA 1015 50	6	9
AA 1110 04	3	24
AA 1110 05	2	24
AA 1110 31	14	78
AA 1110 49	14	81
AA 1110 50	1	19
AA 1110 52	8	24
AA 1110 58	8	25
AA 1110 61	10	25
AA 1110 70	1	81
AA 1110 74	2	25
AA 1110 76	3	25
AA 1110 77	7	25
AA 1110 78	7	81
AA 1110 79	8	81
AA 1110 80	9	81
AA 1110 82	10	81
AA 1110 83	11	81
AA 1110 85	12	81
AA 1110 87	13	81
AA 1210 06	13	31
AA 1210 10	17	32
AA 1210 45	12	29
AA 1210 45	15	30
AA 1210 59	2	31
AA 1210 60	1	31
AA 1310 04	13	34
AA 1310 16	11	17
AA 1310 25	2	34
AA 1310 39	3	39
AA 1310 44	4	18
AA 1310 45	6	39
AA 1410 08	2	37

Part No.	Figure No.	Page No.
AA 1610 60	9	80
AA 1610 80	11	80
AA 1610 81	12	80
AA 1910 32	7	52
AA 2010 12	6	80
AA 2010 41	12	15
AA 2011 43	15	69
AA 2011 57	1	75
AA 2011 61	2	75
AA 2310 22	1	69
AA 2310 26	2	69
AA 2310 49	27	70
AA 2510 01	14	34
AA 2510 03	15	34
AB 1010 38	5	3
AB 1010 49	5	61
AB 1010 59	12	7
AB 1010 67	3	13
AB 1110 11	8	80
AB 1210 17	12	101
AB 1210 19	5	37
AB 1210 19	10	35
AB 1510 04	9	62
AB 1510 07	9	56
AB 1510 14	3	62
AB 1510 49	6	60
AB 1510 54	12	56
AB 1510 63	1	55
AB 1510 64	2	55
AB 1510 65	3	55
AB 1510 66	4	55
AB 1510 67	5	55
AB 1510 68	6	55
AB 1510 69	7	55
AB 1510 70	11	56
AB 1510 71	14	56
AB 1510 72	13	56
AB 1510 73	16	57
AB 1510 74	17	57

Part No.	Figure No.	Page No.
AB 1510 89	26	57
AB 1511 03	12	56
AB 1511 05	13	56
AB 1611 73	22	57
AB 1710 16	9	45
AB 1810 21	11	47
AB 1810 16	7	47
AB 1810 19	9	47
AB 1810 20	10	47
AB 1810 22	11	50
AB 1810 23	12	50
AB 2010 76	5	80
AB 2010 76	6	76
AB 2010 77	13	78
AB 2310 08	10	69
AB 2310 09	9	69
AB1011 00	12	12
AC 2010 21	3	75
AE 1310 03	8	34
AF 1110 12	1	25
AF 1110 16	7	80
AF 1210 01	12	107
AF 1210 04	1	107
AF 1210 12	13	101
AF 1210 12	20	97
AF 1210 18	4	107
AF 1210 23	2	107
AF 1210 24	3	107
AF 1210 25	5	107
AF 1210 26	6	107
AF 1210 28	8	107
AF 1210 29	10	107
AF 1210 30	11	107
AF 1210 31	13	107
AF 1210 32	14	107
AF 1210 34	16	108
AF 1210 36	18	108
AF 1210 38	20	108
AF 1210 39	33	108

Part No.	Figure No.	Page No.
AF 1210 40	34	108
AF 1210 45	22	108
AF 1210 46	24	108
AF 1210 47	1	103
AF 1210 48	2	103
AF 1210 49	3	103
AF 1210 50	4	103
AF 1210 57	5	103
AF 1210 60	7	103
AF 1210 61	9	103
AF 1210 62	8	103
AF 1210 63	10	103
AF 1210 64	11	103
AF 1210 65	14	103
AF 1210 66	15	103
AF 1210 68	1	105
AF 1210 69	2	105
AF 1210 70	12	103
AF 1210 71	13	103
AF 1210 72	18	106
AF 1210 73	17	106
AF 1210 75	23	106
AF 1210 76	19	106
AF 1210 77	15	105
AF 1210 78	21	106
AF 1210 79	16	106
AF 1210 80	22	106
AF 1210 81	13	105
AF 1210 82	14	105
AF 1210 83	5	105
AF 1210 84	30	108
AF 1210 85	4	105
AF 1210 85	20	106
AF 1210 86	3	105
AF 1210 87	19	104
AF 1210 88	18	104
AF 1210 89	16	104
AF 1210 91	6	105
AF 1210 92	8	105

Part No.	Figure No.	Page No.
AF 1210 93	7	105
AF 1210 94	9	105
AF 1211 01	15	107
AF 1211 04	25	108
AF 1211 05	26	108
AF 1211 06	27	108
AF 1211 07	28	108
AF 1211 08	29	108
AF 1211 09	7	107
AF 1211 12	17	104
AF 1211 14	25	106
AF 1211 16	24	106
AF 1211 25	19	108
AF 1211 26	17	108
AF 1211 27	32	108
AF 1211 31	20	104
AF 1211 51	6	103
AF 1211 87	21	104
AF 1211 87	26	106
AF 1212 24	18	99
AF 1212 02	1	98
AF 1212 03	13	98
AF 1212 04	11	98
AF 1212 05	14	98
AF 1212 06	12	98
AF 1212 07	7	98
AF 1212 08	8	98
AF 1212 09	9	98
AF 1212 10	17	99
AF 1212 11	15	98
AF 1212 12	2	98
AF 1212 13	21	99
AF 1212 14	19	99
AF 1212 15	20	99
AF 1212 16	24	99
AF 1212 17	22	99
AF 1212 20	3	98
AF 1212 22	16	99
AF 1212 23	10	98

Part No.	Figure No.	Page No.
AF 1212 27	31	99
AF 1212 28	25	99
AF 1212 30	16	94
AF 1212 32	1	95
AF 1212 32	15	94
AF 1212 33	2	95
AF 1212 34	3	95
AF 1212 35	4	95
AF 1212 36	5	95
AF 1212 37	6	95
AF 1212 38	7	95
AF 1212 39	8	95
AF 1212 40	9	95
AF 1212 41	10	95
AF 1212 42	13	95
AF 1212 42	18	94
AF 1212 43	11	95
AF 1212 46	11	94
AF 1212 51	7	94
AF 1212 59	8	94
AF 1212 62	10	94
AF 1212 64	12	95
AF 1212 64	13	94
AF 1212 68	4	96
AF 1213 08	30	27
AF 1213 15	14	101
AF 1213 16	3	102
AF 1213 17	4	102
AF 1213 18	5	102
AF 1213 19	6	102
AF 1213 20	7	102
AF 1213 21	8	102
AF 1213 22	9	102
AF 1213 23	10	102
AF 1213 24	11	102
AF 1213 25	12	102
AF 1213 26	13	102
AF 1213 27	14	102
AF 1213 31	17	94

Part No.	Figure No.	Page No.
AF 1213 38	41	28
AF 1213 41	4	98
AF 1213 42	5	98
AF 1213 43	6	98
AF 1213 44	7	96
AF 1213 45	17	97
AF 1213 46	18	97
AF 1213 49	4	94
AF 1213 50	2	94
AF 1410 08	1	93
AF 1410 09	2	93
AF 1410 10	3	93
AF 1410 30	A	93
AF 1410 33	4	93
AF 1410 34	5	93
AF 1410 35	6	93
AF 1410 36	7	93
AF 1410 37	8	93
AF 1410 38	9	93
AF 1410 39	10	93
AF 1410 40	11	93
AF 1410 41	12	93
AF 1410 42	13	93
AF 1410 55	1	100
AF 1410 61	3	100
AF 1410 62	2	100
AF 1610 40	28	85
AF 1610 59	8	92
AF 1610 63	27	106
AF 1610 88	3	92
AF 2010 01	7	76
AF 2010 10	23	108
AF 2010 15	23	99
AF 2010 23	2	102
AF 2010 35	12	78
AF 2010 36	1	80
AF 2010 67	1	102
AF 2010 70	15	102
AF 2010 71	5	96

Part No.	Figure No.	Page No.
AF 2010 73	21	97
AF 2010 74	28	99
AF 2010 89	15	78
AF 2010 94	8	78
AF 2011 04	29	99
AF 2011 05	6	96
AF 2210 02	16	68
AF 2310 23	9	35
AK 2010 12	4	76
AL 1210 09	3	29
AL 1310 55	6	16
AL 1311 77	9	49
AL 1510 04	2	40
AL 1510 05	4	40
AL 1510 08	7	40
AL 1510 11	9	40
AL 1510 12	10	40
AL 1510 13	1	82
AL 1510 14	2	82
AL 1510 18	3	82
AL 1510 19	4	82
AL 1510 22	16	42
AL 1510 27	16	54
AL 1510 28	1	60
AL 1510 30	2	53
AL 1510 32	5	53
AL 1510 33	4	53
AL 1510 34	11	54
AL 1510 36	6	53
AL 1510 37	7	53
AL 1510 38	8	53
AL 1510 39	9	53
AL 1510 40	10	53
AL 1510 41	12	54
AL 1510 42	13	54
AL 1510 43	14	54
AL 1510 46	1	59
AL 1510 47	2	59
AL 1510 48	4	59

Part No.	Figure No.	Page No.
AL 1510 49	3	59
AL 1510 50	5	59
AL 1510 51	6	59
AL 1510 52	7	59
AL 1510 53	8	59
AL 1510 54	9	59
AL 1510 55	15	54
AL 1510 57	3	53
AL 1510 58	3	53
AL 1510 59	5	53
AL 1510 60	5	53
AL 1510 61	6	53
AL 1510 62	9	53
AL 1510 63	13	54
AL 1510 89	8	40
AL 1510 93	1	40
AL 1511 03	2	63
AL 1511 04	3	63
AL 1511 05	4	63
AL 1511 13	5	63
AL 1511 38	6	63
AL 1511 40	11	64
AL 1511 41	12	64
AL 1511 48	4	59
AL 1511 49	1	59
AL 1511 60	1	62
AL 1511 65	4	60
AL 1511 68	21	85
AL 1610 69	6	83
AL 1611 12	1	49
AL 1611 13	5	49
AL 1611 14	15	74
AL 1611 15	15	74
AL 1611 52	13	75
AL 1611 55	8	71
AL 1611 61	10	71
AL 1612 01	21	70
AL 1612 08	21	48
AL 1612 10	7	49

Part No.	Figure No.	Page No.
AL 1612 26	13	49
AL 1612 29	14	49
AL 1612 34	19	84
AL 1612 35	16	84
AL 1612 97	20	84
AL 1613 61	11	72
AL 1613 62	12	72
AL 1613 69	15	74
AL 1613 70	15	74
AL 1613 78	1	49
AL 1613 81	10	71
AL 1613 83	21	70
AL 1613 85	8	71
AL 1613 91	7	83
AL 1710 02	2	43
AL 1710 10	8	43
AL 1710 11	3	43
AL 1710 13	4	43
AL 1710 14	5	43
AL 1710 16	1	43
AL 1710 17	8	41
AL 1710 17	8	84
AL 1710 19	10	43
AL 1710 20	12	44
AL 1710 25	20	42
AL 1710 27	17	42
AL 1710 31	6	41
AL 1710 36	15	41
AL 1710 39	12	41
AL 1710 40	15	44
AL 1710 41	5	45
AL 1710 43	6	45
AL 1710 45	17	46
AL 1710 47	1	45
AL 1710 48	7	45
AL 1710 49	10	45
AL 1710 50	13	45
AL 1710 51	14	45
AL 1710 56	3	41

Part No.	Figure No.	Page No.
AL 1710 58	11	45
AL 1710 62	11	44
AL 1710 65	10	39
AL 1710 67	19	46
AL 1710 68	1	41
AL 1710 70	2	43
AL 1710 74	1	43
AL 1710 78	8	43
AL 1710 79	15	44
AL 1710 80	1	41
AL 1710 96	1	43
AL 1710 98	2	43
AL 1711 03	21	42
AL 1756 91	18	74
AL 1810 01	1	47
AL 1810 03	5	47
AL 1810 04	3	47
AL 1810 05	6	47
AL 1810 06	2	47
AL 1810 07	4	47
AL 1810 09	8	47
AL 1810 12	17	48
AL 1810 27	12	47
AL 1810 32	13	88
AL 1810 33	13	88
AL 1910 27	2	62
AL 1910 28	2	71
AL 1910 29	18	72
AL 2010 12	1	76
AL 2010 17	10	73
AL 2010 27	1	73
AL 2010 27	9	73
AL 2010 29	1	73
AL 2010 29	9	73
AL 2010 31	10	78
AL 2010 32	3	73
AL 2010 34	7	37
AL 2010 39	11	68
AL 2010 43	6	73

Part No.	Figure No.	Page No.
AL 2010 44	7	73
AL 2010 51	10	73
AL 2010 60	3	78
AL 2010 61	1	78
AL 2010 62	5	78
AL 2010 73	25	85
AL 2010 81	6	78
AL 2010 83	14	68
AL 2010 86	4	78
AL 2010 87	2	78
AL 2010 88	12	68
AL 2010 88	26	85
AL 2011 00	20	72
AL 2110 05	2	65
AL 2210 07	2	91
AL 2210 17	7	91
AL 2210 26	1	67
AL 2210 27	1	67
AL 24 1259	11	88
AL 2410 00	16	89
AL 2410 23	8	69
AL 2410 29	16	70
AL 2410 31	20	70
AL 2410 33	3	69
AL 2410 37	15	68
AL 2410 40	15	84
AL 2410 65	25	70
AL 2411 09	2	83
AL 2411 18	1	88
AL 2411 19	11	88
AL 2411 42	2	88
AL 2411 43	3	88
AL 2411 44	4	88
AL 2411 49	6	88
AL 2411 63	12	88
AL 2411 86	9	88
AL 2411 87	14	89
AL 2411 88	22	89
AL 2411 90	26	90

Part No.	Figure No.	Page No.
AL 2411 93	32	90
AL 2411 97	31	90
AL 2411 98	10	88
AL 2411 99	15	89
AL 2412 01	27	90
AL 2412 02	27	90
AL 2412 08	7	88
AL 2412 09	8	88
AL 2412 16	33	90
AL 2412 17	34	90
AL 2412 18	5	88
AL 2412 20	17	89
AL 2412 21	18	89
AL 2412 26	2	83
AL 2412 27	32	85
AL 2412 36	2	83
AL 2412 53	17	89
AL 2412 56	18	89
AL 2412 58	1	88
AL 2412 71	13	88
AL 2412 72	13	88
AL1510 29	1	53
AL1510 56	1	53
AM 1210 51	14	96
AM 1210 53	30	99
AM 121048	10	96
AM 121049	13	96
AN 1210 77	4	26
AN 1010 01	5	5
AN 1010 06	8	5
AN 1010 07	2	5
AN 1010 09	1	8
AN 1010 10	2	8
AN 1010 12	3	7
AN 1010 13	1	7
AN 1010 15	16	7
AN 1010 20	7	19
AN 1010 22	3	6
AN 1010 24	2	11

Part No.	Figure No.	Page No.
AN 1010 25	9	16
AN 1010 33	1	2
AN 1010 53	1	1
AN 1010 55	6	22
AN 1010 61	14	20
AN 1010 63	1	11
AN 1010 64	1	5
AN 1010 66	6	5
AN 1010 68	1	9
AN 1010 69	1	10
AN 1010 72	1	6
AN 1010 79	15	20
AN 1010 83	14	3
AN 1010 84	14	2
AN 1010 85	3	18
AN 1010 90	1	20
AN 1010 91	2	20
AN 1011 01	1	33
AN 1011 03	7	33
AN 1011 04	1	18
AN 1011 05	8	14
AN 1011 09	1	3
AN 1011 10	14	33
AN 1110 01	1	24
AN 1110 06	3	81
AN 1110 07	7	80
AN 1210 01	2	29
AN 1210 02	1	29
AN 1210 23	A	26
AN 1210 24	6	29
AN 1210 27	17	27
AN 1210 29	31	28
AN 1210 30	28	27
AN 1210 31	32	28
AN 1210 33	22	27
AN 1210 34	19	27
AN 1210 37	6	26
AN 1210 39	A	98
AN 1210 43	1	94

Part No.	Figure No.	Page No.
AN 1210 44	21	108
AN 1210 44	1	96
AN 1210 47	19	97
AN 1210 50	5	94
AN 1210 51	9	94
AN 1210 52	6	94
AN 1210 53	3	94
AN 1210 61	26	99
AN 1210 63	2	96
AN 1210 64	3	96
AN 1210 65	9	29
AN 1210 66	4	101
AN 1210 67	10	29
AN 1210 68	13	29
AN 1210 70	11	26
AN 1210 71	21	27
AN 1210 72	35	28
AN 1210 73	34	28
AN 1210 74	29	27
AN 1210 76	25	27
AN 1210 81	14	31
AN 1210 82	20	32
AN 1210 85	16	32
AN 1211 09	4	33
AN 1211 10	5	33
AN 1211 11	6	33
AN 1211 11	16	4
AN 1211 12	2	33
AN 1310 03	1	16
AN 1310 04	2	16
AN 1310 05	7	39
AN 1310 07	12	17
AN 1310 09	1	17
AN 1310 18	8	16
AN 1310 22	5	18
AN 1310 26	7	34
AN 1410 02	4	92
AN 1410 03	1	37
AN 1410 04	6	37

Part No.	Figure No.	Page No.
AN 1410 05	8	37
AN 1410 06	10	37
AN 1410 07	11	37
AN 1410 08	4	37
AN 1410 09	20	38
AN 1410 22	1	35
AN 1410 24	5	35
AN 1410 25	7	35
AN 1410 26	3	35
AN 1410 28	8	35
AN 1410 32	4	35
AN 1410 32	6	35
AN 1510 02	1	61
AN 1610 02	1	83
AN 1610 06	1	92
AN 1610 08	2	92
AN 1610 09	3	92
AN 1610 24	2	79
AN 1610 27	14	94
AN 1610 44	16	38
AN 1610 47	5	79
AN 1610 48	3	79
AN 1610 50	14	37
AN 1610 53	7	71
AN 1610 55	9	71
AN 1610 62	30	85
AN 1610 71	14	22
AN 1610 74	4	79
AN 1610 75	6	79
AN 1610 76	1	83
AN 1610 81	1	83
AN 1610 82	1	83
AN 1610 83	7	71
AN 1610 86	9	71
AN 1810 03		85
AN 1910 01	3	64
AN 1910 02	4	64
AN 1910 03	2	64
AN 1910 04	7	64

Part No.	Figure No.	Page No.
AN 1910 08	1	71
AN 1910 09	1	64
AN 1910 10	6	64
AN 1910 11	4	71
AN 1910 12	8	64
AN 1910 13	9	64
AN 1910 15	8	63
AN 1910 16	10	63
AN 1910 18	19	72
AN 1910 20	4	71
AN 1910 21	19	72
AN 1910 22	13	64
AN 2010 04	10	76
AN 2010 05	10	79
AN 2010 07	12	79
AN 2010 08	9	79
AN 2010 11	9	76
AN 2010 12	3	76
AN 2010 13	10	76
AN 2010 14	10	76
AN 2010 15	9	76
AN 2010 16	10	76
AN 2110 01	1	65
AN 2110 02	10	65
AN 2210 01	1	91
AN 2210 04	14	66
AN 2410 03	6	67
AN 2410 10	6	67
AP 1610 47	17	51
AP 1610 48	1	50
AP 1610 49	5	49
AP 2010 37	2	76
AP 2010 12	9	78
AP 2010 36	11	78
AP 2010 52	1	73
AP 2010 54	1	73
AT 1110 01	1	83
AT 1110 16	20	87
AT 1110 18	9	80

Part No.	Figure No.	Page No.
AT 1134 01	14	22
AT 1138 01	1	92
AT 1138 03	2	92
AT 1610 01	8	63
AT 1610 02	10	63
AT 1612 01	8	64
AT 1612 02	9	64
AT 1612 04	4	71
AT 1612 05	19	72
At 1710 02	7	35
AT 1710 03	8	35
AT 1710 05	3	35
AT 1710 06	4	35
AT 1710 08	5	35
AT 1710 09	6	35
AT 1720 04	31	108
AT 1720 05	5	101
AT 1720 06	6	101
AT 1720 07	7	101
AT 1720 10	5	100
AT 1812 00	11	80
AT 1910 01	1	65
AT 1910 02	10	65
AT 1910 03	12	86
AT 1910 03	19	66
AT 1910 04	18	66
AT 1910 13	14	86
AT 2110 01	1	86
AT 2130 02	5	86
AT 2130 03	5	86
AT 2312 01	16a	21
AT 2326 01	29	85
AT 4014 01	21	30
AT 4014 02	19	32
AT 4014 04	9	79
AT 4020 01	14	80
AT 4022 01	10	76
AT 4022 03	9	76
AT 4022 05	16	77

Part No.	Figure No.	Page No.
AT 4022 07	12	79
AT 4024 01	1	71
AT 5010 01	6	22
AT 5810 02	1	30
AT 5810 03	16	30
AT 5810 07	13	30
AT 5810 08	11	30
AT 5810 14	3	30
AT 5810 15	6	30
AT 5810 16	7	30
AT 5810 19	9	30
AT 5810 20	2	30
AT 5812 01	A	26
AT 5812 02	22	27
AT 5812 03	29	27
AT 5910 02	1	20
AT 5910 03	15	20
AT 5910 04	2	20
AT 5910 08	20	21
AT 5910 10	14	20
BA 1011 66	9	101
BA 1021 61	11	22
BA 1220 03	13	37
BA 1220 05	9	37
BA 1321 10	4	39
BA 1321 41	3	15
BA 1321 71	2	39
BA 1321 72	1	39
BA 1321 73	11	39
BA 1610 30	19	23
BA 1611 34	22	57
BA 1710 08	14	41
BA 2010 01	1	79
BB 1210 34	8	30
BB 1210 35	10	30
BB 1210 39	17	30
BB 1410 37	4	92
BB 1510 01	1	63
BB 1610 20	16	21

Part No.	Figure No.	Page No.
BB 1610 48	33	85
BB 1610 50	20	84
BB 1610 56	7	83
BB 2010 23	16	78
BB 2010 30	5	82
BB 2010 30	8	79
BB 2110 11	2	65
BB 2210 02	2	67
BB 2210 03	2	67
BB 2210 04	14	66
BB 2210 06	3	91
BB 2310 06	6	86
BB 2310 14	3	86
BB 2310 15	4	86
BB 2310 17	2	86
BB 2310 24	10	86
BB 2310 33	13	86
BB 2311 00	7	86
BB 2311 01	8	86
BB 2311 02	9	86
BB 2311 07	11	86
BB 2311 34	23	87
BB 2311 41	22	87
BB 2311 42	22	87
BB 2312 25	22	87
BB 2312 35	24	87
BB 2312 37	27	87
BB 2312 38	27	87
BB 2312 66	11	75
BB 2312 67	11	75
BB 2312 68	25	87
BB 2312 69	26	87
BB 2312 72	7	83
BB 2312 73	7	83
CL 2010 21	8	73
CL 2010 23	2	73
CM 1910 49	5	52
CR 1210 23	23	27
CR 1210 24	24	27

Part No.	Figure No.	Page No.
CR 1210 25	8	26
CR 1210 25	37	28
CR 1210 26	7	26
CR 1210 28	2	26
CR 1210 29	1	26
CR 1210 31	5	26
CR 1210 38	33	28
CR 1210 47	10	26
CR 1210 49	12	26
CR 1210 50	13	26
CS 1410 06	2	35
CS 1611 52	7	29
DD 1610 38	5	60
DF 2210 29	8	91
DG 1410 19	10	33
DG 2010 57	13	36
DK 1012 37	3	33
DK 1012 37	17	4
DK 1013 40	13	33
DP 1011 98	11	29
DP 1011 98	20	30

A series of 20 horizontal dashed lines for writing.