

All information contained in this manual is based on the latest product information at the time of publication. Bajaj Auto Limited accepts no liability for any inaccuracies or omissions in this publication, although every possible care has been taken to make it as complete and accurate as possible. All procedures and specifications subject to change without prior notice. The right is reserved to make such changes at any time without prior notice and without incurring an obligation to make such changes to product manufactured previously. Contact your authorized Bajaj Dealer for the latest information on product improvements incorporated after this manual was issued.

DOC. NO.: 71111471

REV. 00, APR. 2011

We have pleasure in presenting the Spare Parts Catalogue for '**RE445M Diesel & RE 600 Diesel**' Vehicles. This catalogue has been specially designed to assist you in selecting the correct parts to maintain your vehicle in best running condition.

The Bajaj spares are subjected to the stringent quality control standards to ensure longer life of the vehicle. It is therefore necessary that only the Genuine Bajaj Spares are used.

In a continual effort to improve performance and efficiency of the vehicle, Specifications, Diagrams, Illustrations and Part Numbers can change without notice. Consequently, the description in this Spare Parts Catalogue cannot therefore be final and binding on us.

The modifications/ alterations which are carried out after the issue of this catalogue, will be conveyed to you through our service circulars. You are requested to make necessary corrections in the parts catalogues as per the circulars so as to keep your catalogues up to date. This will ensure the appropriate and speedy delivery of the spare parts as the order placed will bear the latest part numbers.

For latest information of serviceable spares, refer catalogues on dealer portal.

In case, if you need any technical assistance contact the concerned Regional Office or write to us on the following address :

Service Department

Bajaj Auto Ltd.

Akurdi, Pune 411 035 India

Phone : 020-27406278

Fax : 020-27407385

E-mail : [service@bajajauto.co.in](mailto:service@bajajauto.co.in)

## Instructions for using the Catalogue

RE 445M  
RE 600

1. How to Read the Catalogue : Open the catalogue and from the pictorial index locate the group in which the part you want to find is present. Turn over to the concerned page number (as given by pictorial index). Now find out the figure of the part you wish to order. Write down the part number against that particular figure number from the text.

In case, if you have the part number and you need the other details, the part index can be used. The part index (at the end of the catalogue) will give you the figure and page number of the part you wish to order.

2. How to Order Spare Parts : The part number and the description of the part required should be invariably mentioned in the order as per the catalogue text.

The latest part number as conveyed through our service circulars should only appear on the order. In case of ordering painted components, colour shade of the components should be mentioned.

The quantity shown against the part number is the quantity per vehicle for that group so that particular quantity should be multiplied by the number of sets required.

3. Part Number System : We have used 8 digit system for part numbers. The model or hardware item is indicated by first two digits or alphanumeric, the next two or four digits indicate main group and the last four or two digits indicate serial number in main group or serial number or subgroup of fastener respectively. Thus the part numbers will be indicated by 2-2-4 or 2-4-2 digit system. Understanding this system will enable you to identify the spare parts easily.

4. Abbreviations : The following abbreviations are used in this catalogue.

assly.	Assembly	V	Volts
N.I.	Not illustrated	W	Watts
C'case	Crankcase	accl.	Accelerator
Cyl	Cylinder	Comp.	Complete
o/s.	Over size	Fr	Front
Std.	Standard	L	Length
A/t.	Alternate	Rr	Rear
R.H.	Right hand	Hex.	Hexagonal
L.H.	Left hand	AR	As required
NS	NOT SERVICEABLE		

## Index

RE 445M  
RE 600

S.N.	Description	Page No.
1	Engine & Cylinder Crankcase	1
2	Camshaft Assembly	2
3	Piston & Connecting Rod Assembly	3
4	Crankshaft Assembly	4
5	Weight Balancer	5
6	Governor	6
7	Speed Control Levers	7,8
8	Cover Crankcase	9
9	Oil Pump	10
10	Housing Coupling	11
11	Clutch Assembly	12
12	Clutch Cover	13,14
13	Main Housing	15,16
14	Gear Box Cover	17,18
15	Main Shaft Assembly	19
16	Gear Transmission	20
17	Differential Gear Assembly	21,22
18	Alternator & Starter Motor	23
19	Case Spiral	24
20	Cylinder Head	25,26
21	Rocker Arm	27
22	Cylinder Head Cover	28
23	Silencer	29
24	Injection Pump & Nozzle Holder	30,31
25	Oil Cooler	32
26	Engine Bracket & Tie Rod Assembly	33,34
27	Air Filter Assembly	35,36
28	Fuel Filter Assembly	37
29	Fuel Tank Assembly	38
30	propeller shaft/flanges	39

S.N.	Description	Page No.
31	Brake Assembly	40,41
32	Brake Pipes	42
33	Wheel Cylinder Front	43
34	Tandem Master Cylinder	44,45
35	Brake Pedal	46
36	Hand Brake Assembly	47
37	Front Brake Drum	48
38	Front Shock Absorber & Linkage	49,50
39	Fork Assembly	51,52
40	Front Mudguard	53
41	Rear Wheel Axle / Shock Absorber	54
42	Trailing Arm Assembly	55
43	Handle Bar Assembly	56,57
44	Handle Bar Controls	58
45	Dashboard Assembly	59,60
46	Control Cables	61
47	Control Cables	62
48	Chassis Tray	63
49	Seat Assembly	64
50	Hood Frame Assembly	65
51	Body	66,67
52	Windshield & Wiper Motor	68
53	Wiring Harness	69
54	Head Light & Blinker Assembly	70,71
55	Tail Lamp Assembly	72
56	Battery & Fuse Box	73,74
57	Switch & Horn	75
58	Tool Kit	76

**Pictorial Index**

**RE 445M  
RE 600**

PLATE NO. : 1  
ENGINE, CYLINDER CRANKCASE

PAGE NO.:  
1

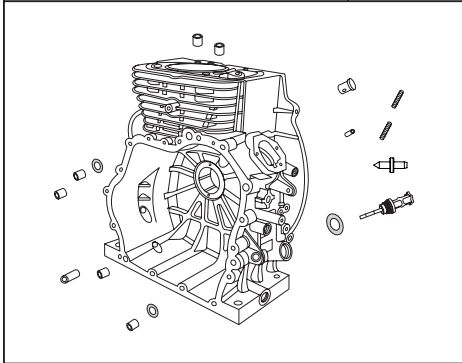


PLATE NO. : 3  
PISTON & CONNECTING ROD ASSLY

PAGE NO.:  
3

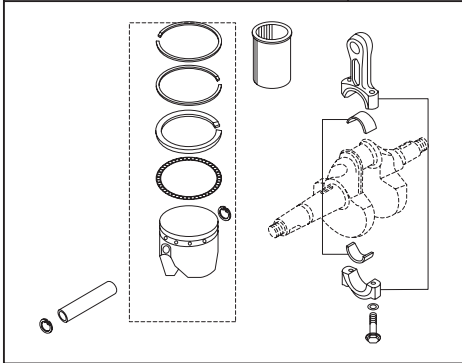


PLATE NO. : 5  
WEIGHT BALANCER

PAGE NO.:  
5

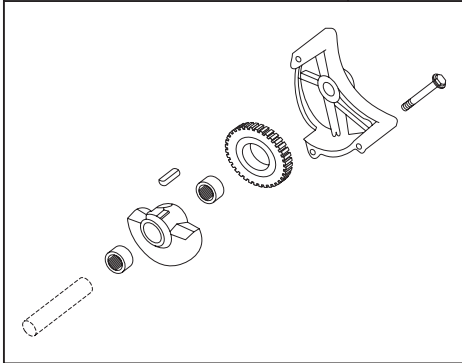


PLATE NO. : 2  
CAMSHAFT ASSEMBLY

PAGE NO.:  
2

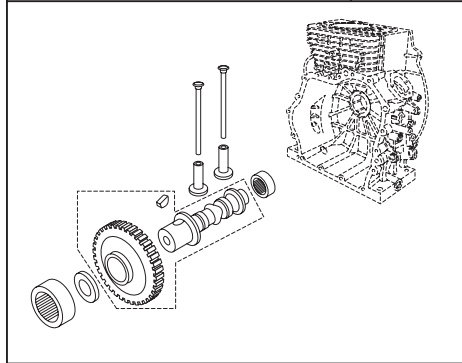


PLATE NO. : 4  
CRANKSHAFT ASSEMBLY

PAGE NO.:  
4

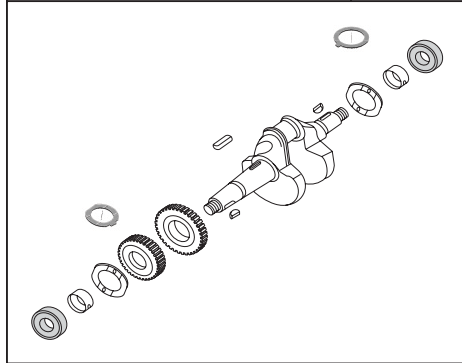
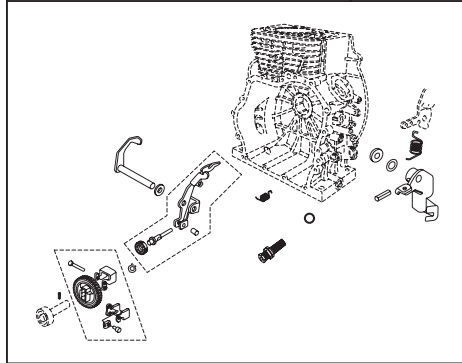


PLATE NO. : 6  
GOVERNER

PAGE NO.:  
6



**Pictorial Index**

**RE 445M  
RE 600**

PLATE NO. : 7  
SPEED CONTROL LEVERS

PAGE NO.:  
7, 8

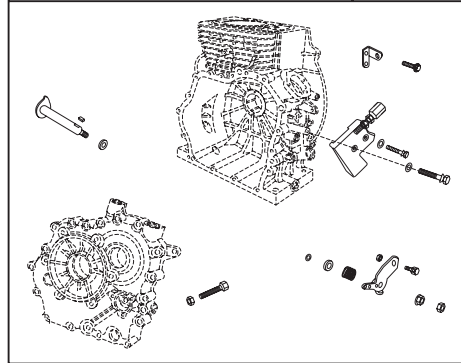


PLATE NO. : 9  
OIL PUMP

PAGE NO.:  
10

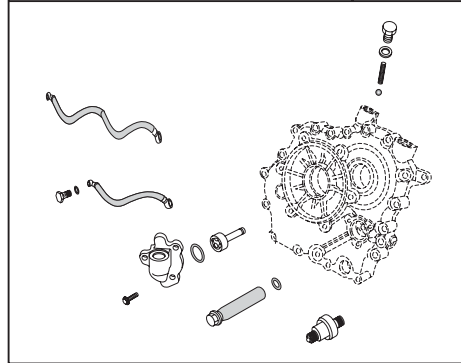


PLATE NO. : 11  
CLUTCH ASSEMBLY

PAGE NO.:  
12

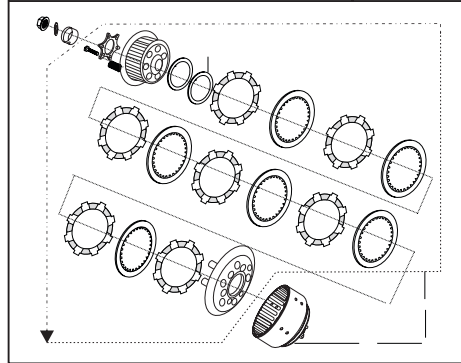


PLATE NO. : 8  
COVER CRANKCASE

PAGE NO.:  
9

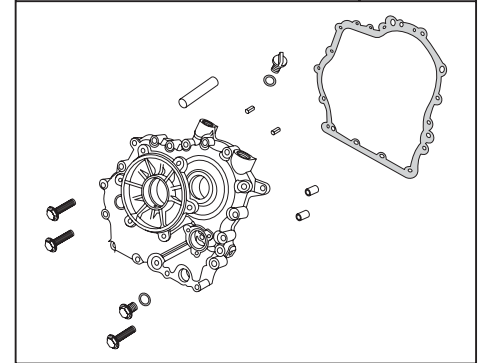


PLATE NO. : 10  
HOUSING COUPLING

PAGE NO.:  
11

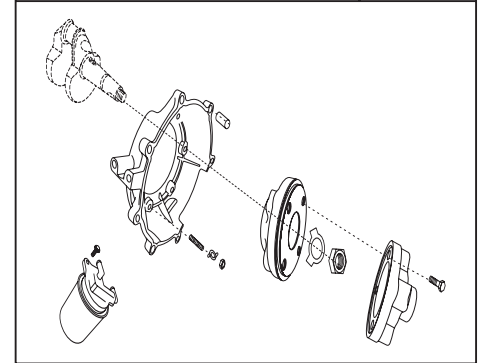
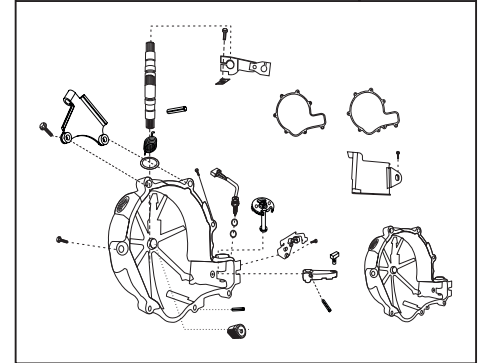


PLATE NO. : 12  
CLUTCH COVER

PAGE NO.:  
13, 14



# Pictorial Index

RE 445M  
RE 600

PLATE NO. : 13  
MAIN HOUSING

PAGE NO.:  
15, 16

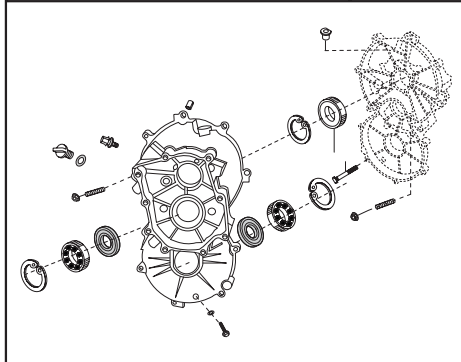


PLATE NO. : 15  
MAIN SHAFT ASSEMBLY

PAGE NO.:  
19

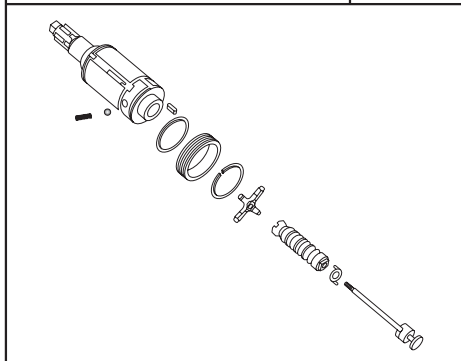


PLATE NO. : 17  
DIFFERENTIAL GEAR ASSEMBLY

PAGE NO.:  
21, 22

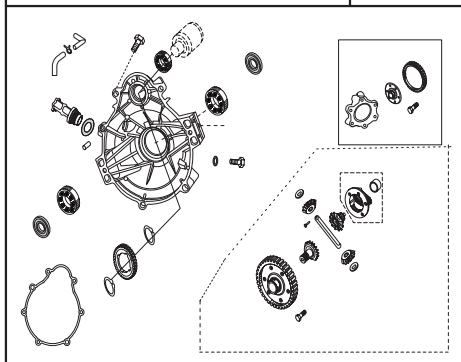


PLATE NO. : 14  
GEAR BOX COVER

PAGE NO.:  
17, 18

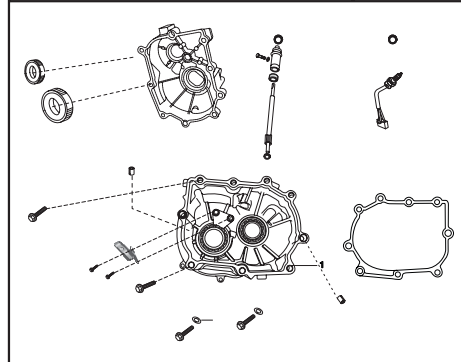


PLATE NO. : 16  
GEAR TRANSMISSION

PAGE NO.:  
20

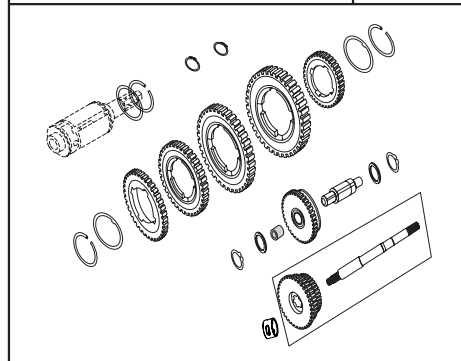
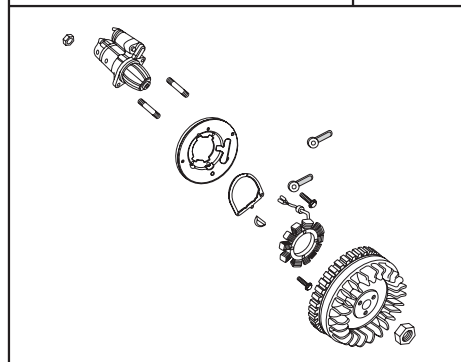


PLATE NO. : 18  
ALTERNATOR & STARTER MOTOR

PAGE NO.:  
23



# Pictorial Index

RE 445M  
RE 600

PLATE NO. : 19  
CASE SPIRAL

PAGE NO.:  
24

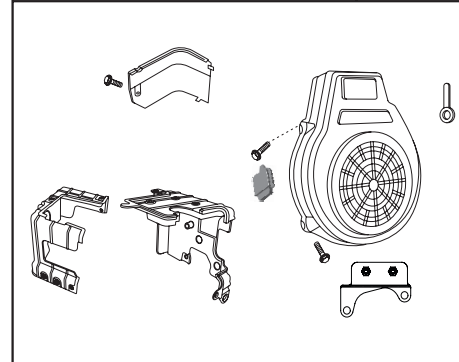


PLATE NO. : 21  
ROCKER ARM

PAGE NO.:  
27

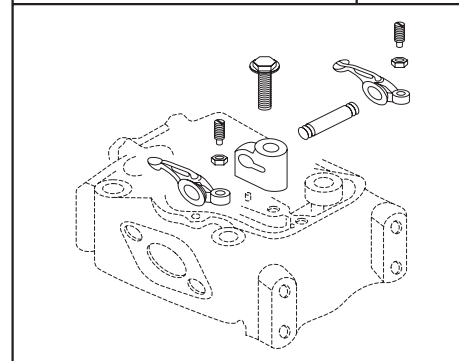


PLATE NO. : 23  
SILENCER

PAGE NO.:  
29

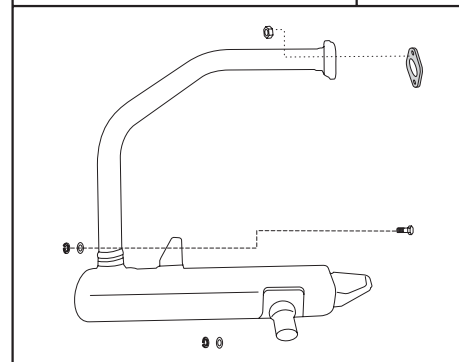


PLATE NO. : 20  
CYLINDER HEAD

PAGE NO.:  
25, 26

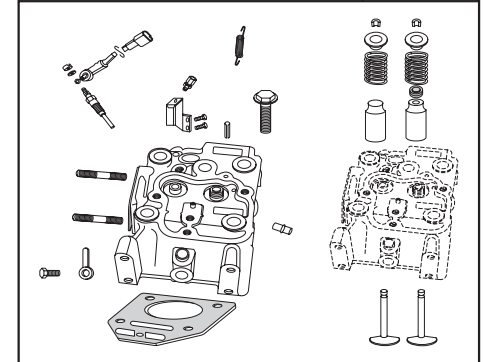


PLATE NO. : 22  
CYLINDER HEAD COVER

PAGE NO.:  
28

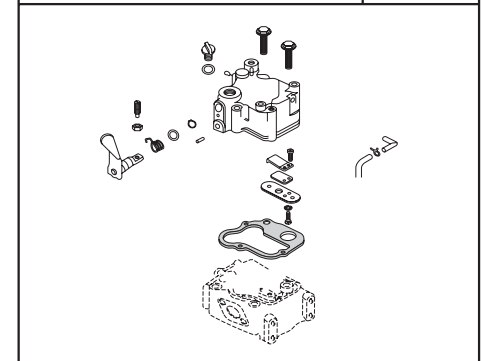
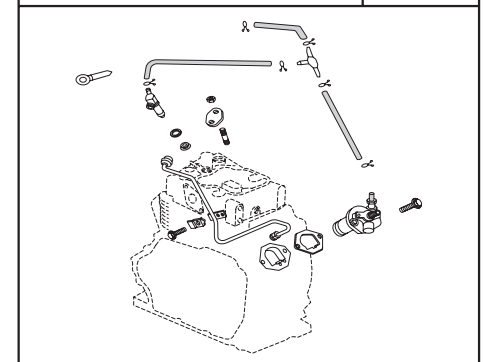


PLATE NO. : 24  
INJECTION PUMP & NOZZLE HOLDER

PAGE NO.:  
30, 31



# Pictorial Index

**RE 445M**  
**DIESEL**

PLATE NO. : 25  
OIL COOLER

PAGE NO.:  
32

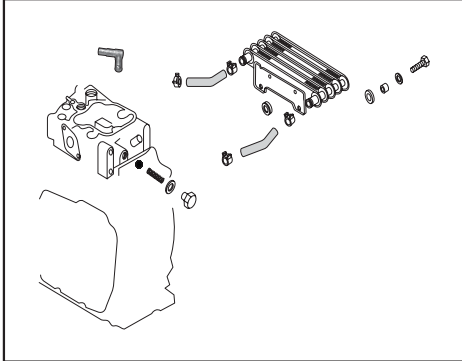


PLATE NO. : 27  
AIR FILTER ASSEMBLY

PAGE NO.:  
35, 36

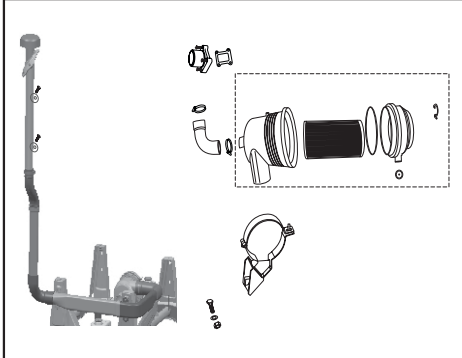


PLATE NO. : 29  
FUEL TANK ASSEMBLY

PAGE NO.:  
38

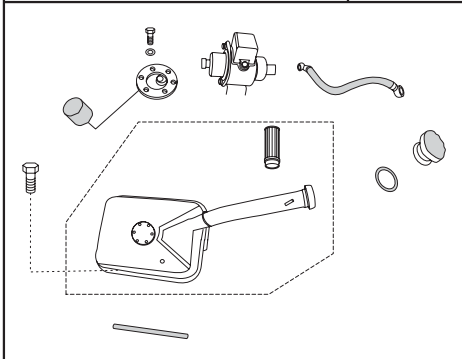


PLATE NO. : 26  
ENGINE BRACKET & TIE ROD ASSLY

PAGE NO.:  
33, 34

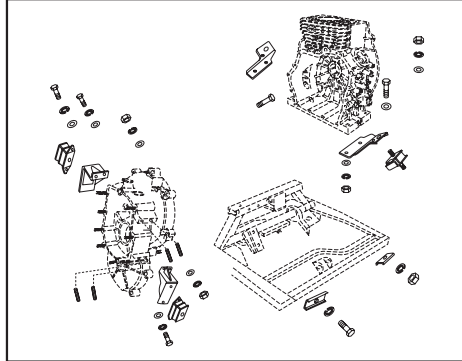


PLATE NO. : 28  
FUEL FILTER ASSEMBLY

PAGE NO.:  
37

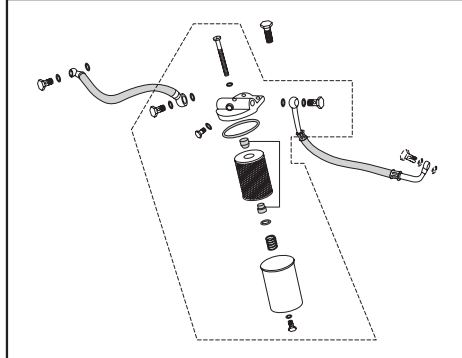
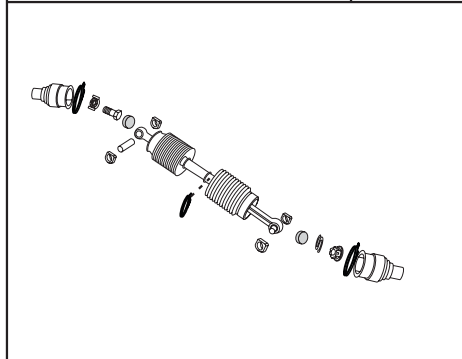


PLATE NO. : 30  
PROPELLER SHAFT / FLANGES

PAGE NO.:  
39



# Pictorial Index

**RE 445M**  
**DIESEL**

PLATE NO. : 31  
BRAKE ASSEMBLY

PAGE NO.:  
40, 41

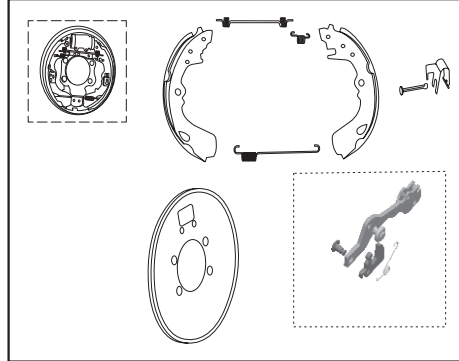


PLATE NO. : 33  
WHEEL CYLINDER

PAGE NO.:  
43

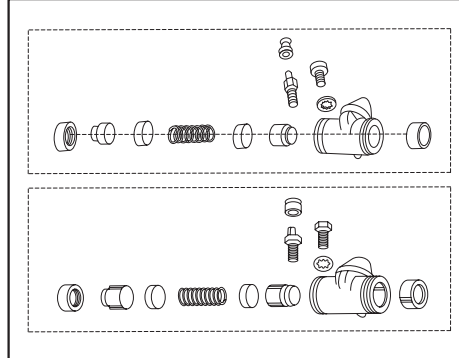


PLATE NO. : 35  
BRAKE PEDAL

PAGE NO.:  
46

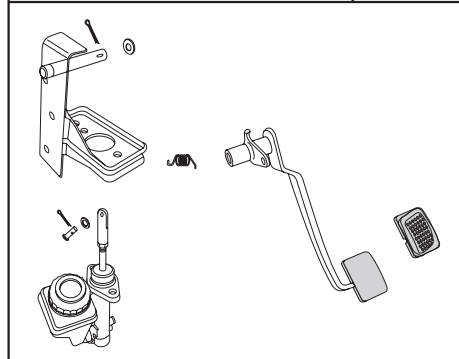


PLATE NO. : 32  
BRAKE PIPES

PAGE NO.:  
42

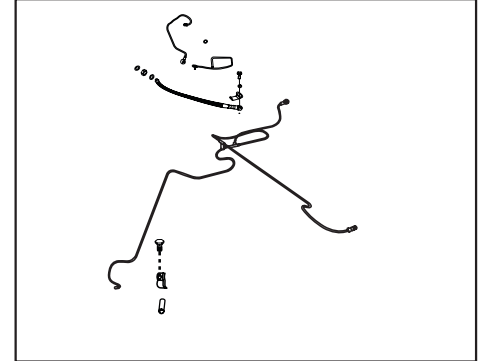


PLATE NO. : 34  
TANDEM MASTER CYLINDER

PAGE NO.:  
44, 45

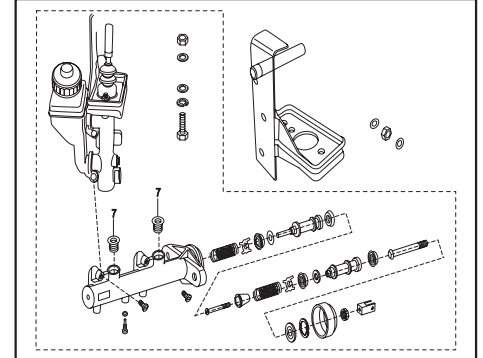
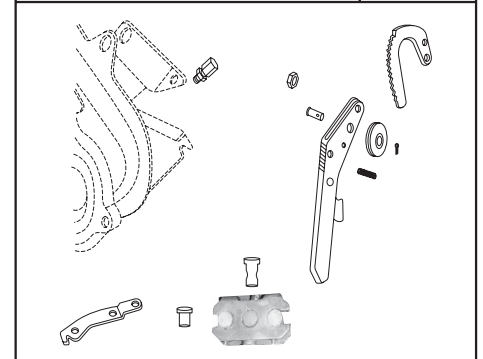


PLATE NO. : 36  
HAND BRAKE ASSEMBLY

PAGE NO.:  
47



**Pictorial Index**

**RE 445M  
RE 600**

PLATE NO. : 37  
FRONT BRAKE DRUM

PAGE NO.:  
48

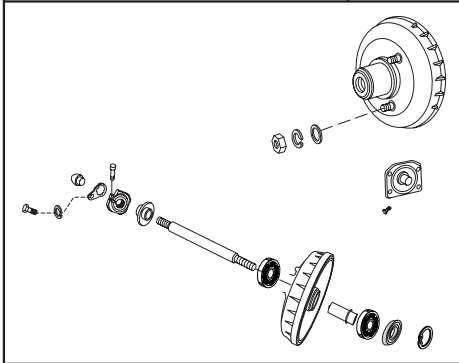


PLATE NO. : 39  
FORK ASSEMBLY

PAGE NO.:  
51, 52

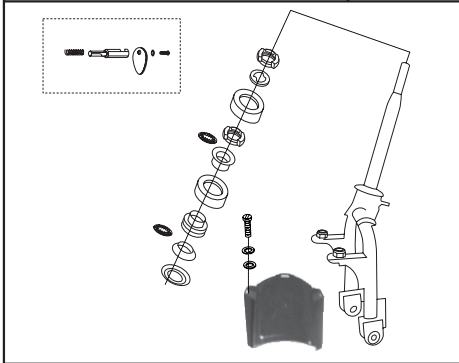


PLATE NO. : 41  
REAR WHEEL AXLE/SHOCK ABSORBER

PAGE NO.:  
54

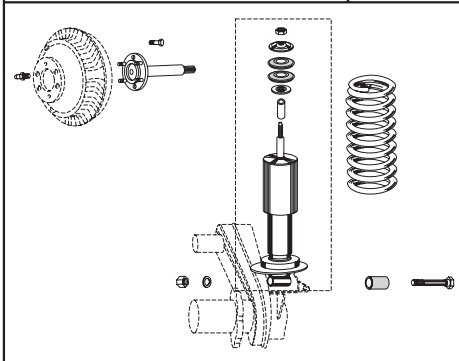


PLATE NO. : 38  
FRONT SHOCK ABSORBER & LINKAGE

PAGE NO.:  
49, 50

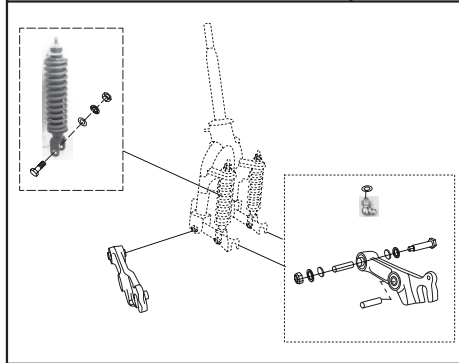


PLATE NO. : 40  
FRONT MUDGUARD

PAGE NO.:  
53

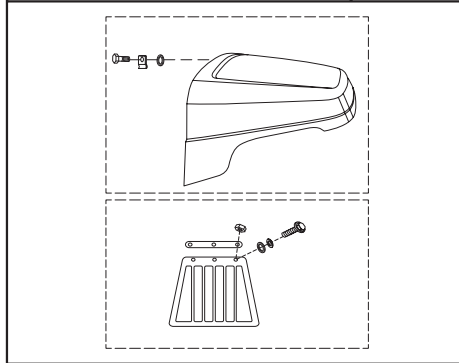
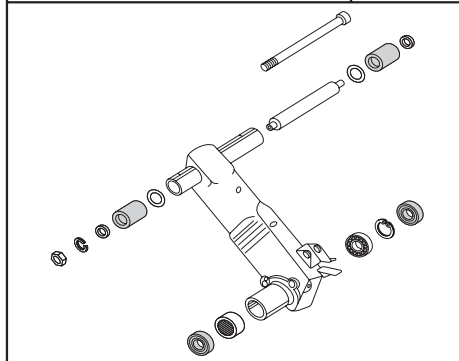


PLATE NO. : 42  
TRAILING ARM ASSEMBLY

PAGE NO.:  
55



**Pictorial Index**

**RE 445M  
RE 600**

PLATE NO. : 43  
HANDLE BAR ASSEMBLY

PAGE NO.:  
56, 57

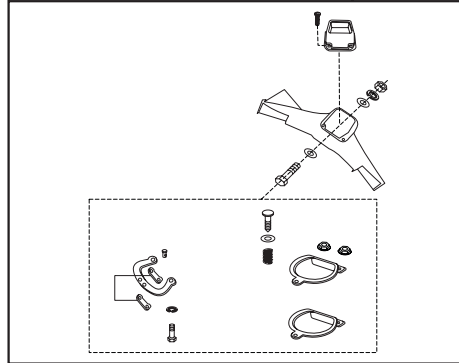


PLATE NO. : 45  
DASHBOARD ASSEMBLY

PAGE NO.:  
59, 60

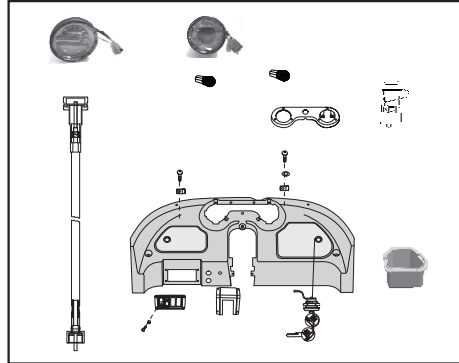


PLATE NO. : 47  
CONTROL CABLES

PAGE NO.:  
62

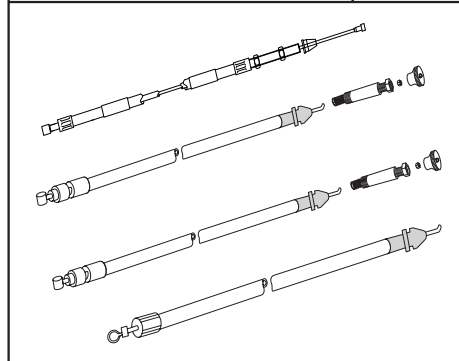


PLATE NO. : 44  
HANDLE BAR CONTROLS

PAGE NO.:  
58

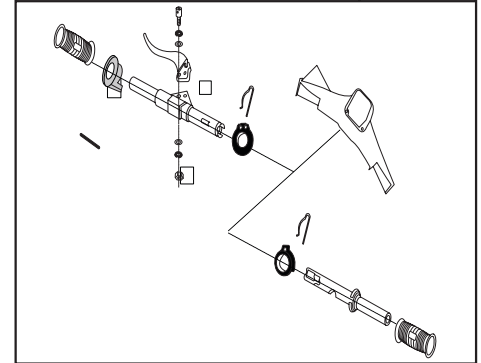


PLATE NO. : 46  
CONTROL CABLES

PAGE NO.:  
61

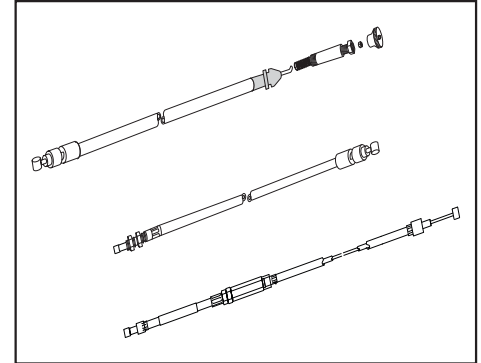
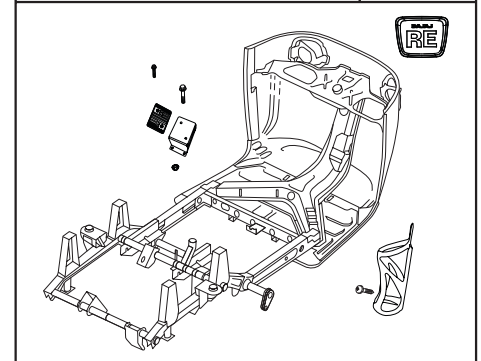


PLATE NO. : 48  
CHASSIS

PAGE NO.:  
63



# Pictorial Index

RE 445M  
RE 600

PLATE NO. : 48  
DRIVE CABIN

PAGE NO.:  
63A

PLATE NO. : 49  
SEAT ASSEMBLY

PAGE NO.:  
64

PLATE NO. : 50  
HOOD FRAME ASSEMBLY

PAGE NO.:  
65

PLATE NO. : 52  
WINDSHIELD & WIPER MOTOR

PAGE NO.:  
68

PLATE NO. : 51  
BODY

PAGE NO.:  
66, 67

PLATE NO. : 53  
WIRING HARNESS

PAGE NO.:  
69

# Pictorial Index

RE 445M  
RE 600

PLATE NO. : 54  
HEAD LIGHT & BLINKER ASSEMBLY

PAGE NO.:  
70, 71

PLATE NO. : 55  
TAIL LAMP ASSEMBLY

PAGE NO.:  
72

PLATE NO. : 56  
BATTERY & FUSE BOX

PAGE NO.:  
73, 74

PLATE NO. : 57  
SWITCH & HORN

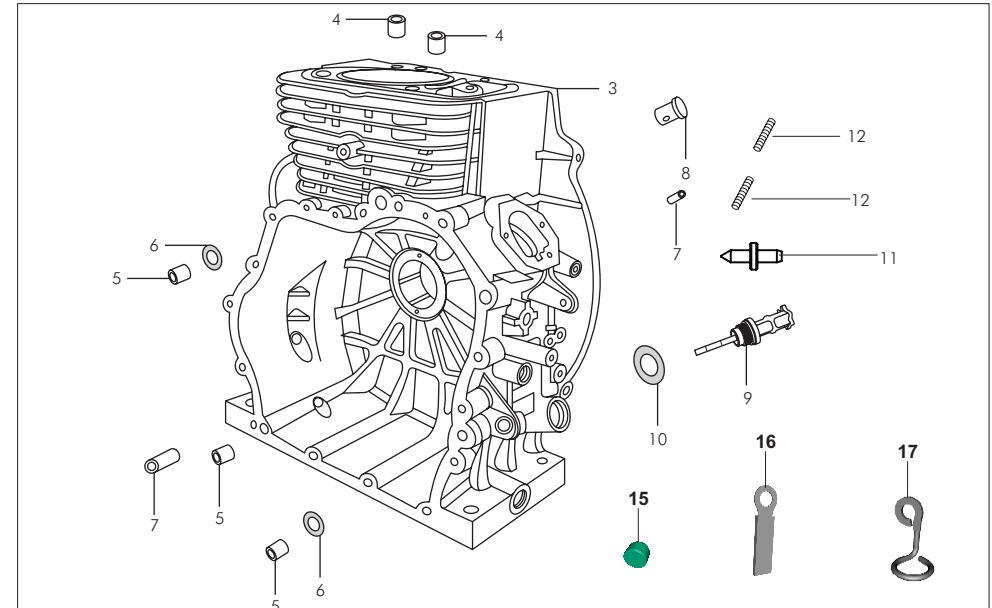
PAGE NO.:  
75

PLATE NO. : 58  
DOORS

PAGE NO.:  
76, 77

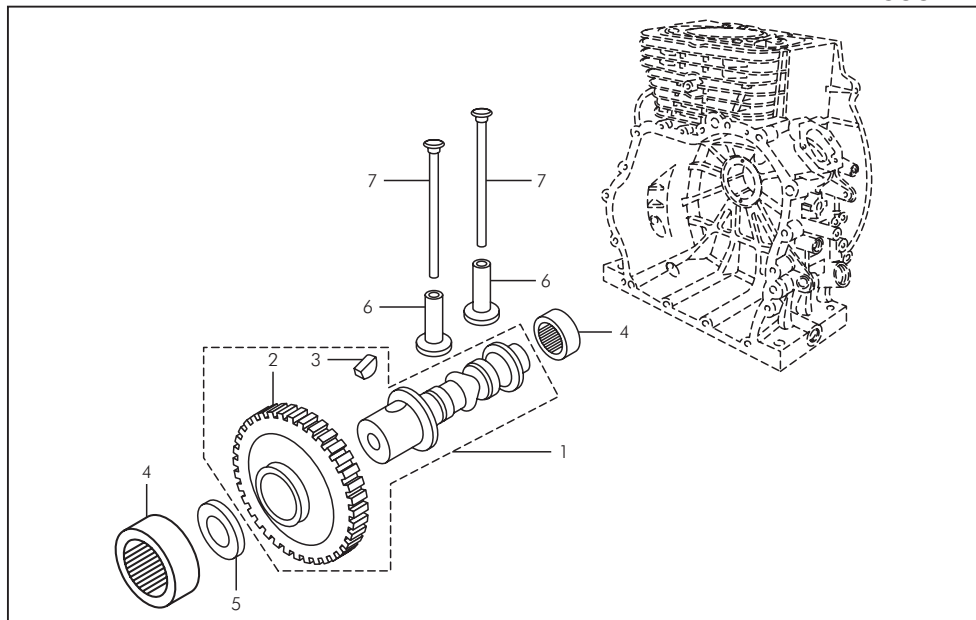
PLATE NO. : 59  
TOOL KIT

PAGE NO.:  
78

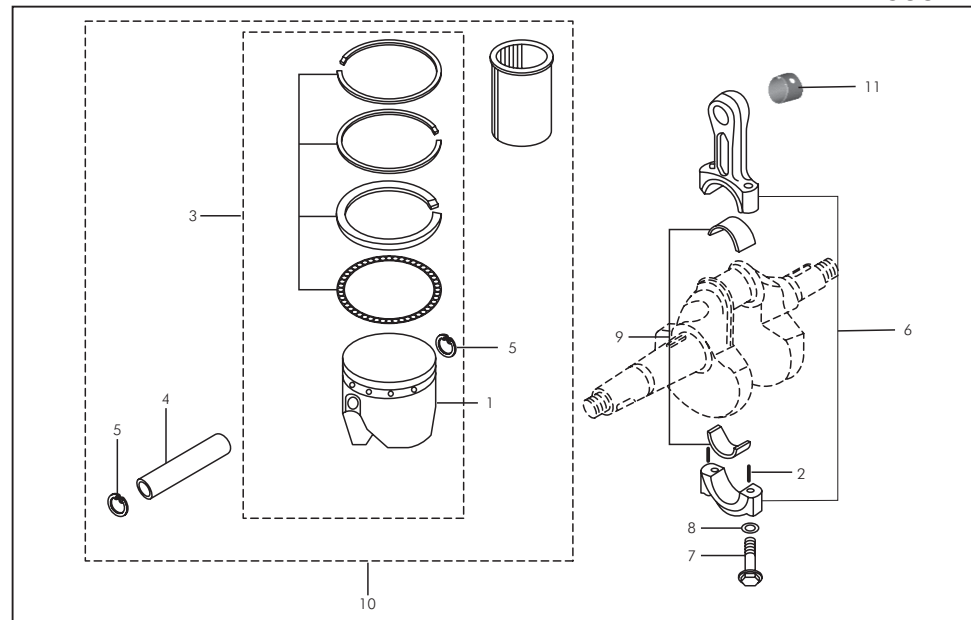


No.	Part No.	Description	Qty. per Veh.		Remarks
			BH	BG	
1	BG 5010 01	Assly. Eng. comp.	1	1	N.I-BSII
1a	BG 5010 05	Assly. Eng. comp.	1	1	N.I-BSIII
2	BH 5510 00	Transmission comp.	1	1	N.I
3	BB 1010 81	Cylinder crankcase assembly	1	1	BSIII
4	BA 1020 06	Dowel pin -head	2	2	
5	BA 1020 08	Dowel pin cover	3	3	
6	39 1013 21	'O' ring	2	2	
7	39 1569 06	Spring dowel sleeve	1	1	
8	BA 1020 09	Pin	1	1	
9	BG 5010 04	Oil gauge (Dip stick)	1	1	
10	39 1562 21	'O' ring	1	1	
11	BG 5010 02	Locator ignition timing	1	1	
12	39 2264 05	Stud - M8 (injection pump)	1	1	
13	36 BA40 04	Kit cylinder block piston assly	1	1	BSII-Kit
14	BA 1003 00	Stud M6X1	2		NI
15	BA 1020 03	Plug - oil hole	1		
16	BA 1220 02	Clamp - cord 2	2		
17	BA 1022 92	Clip guide	2		

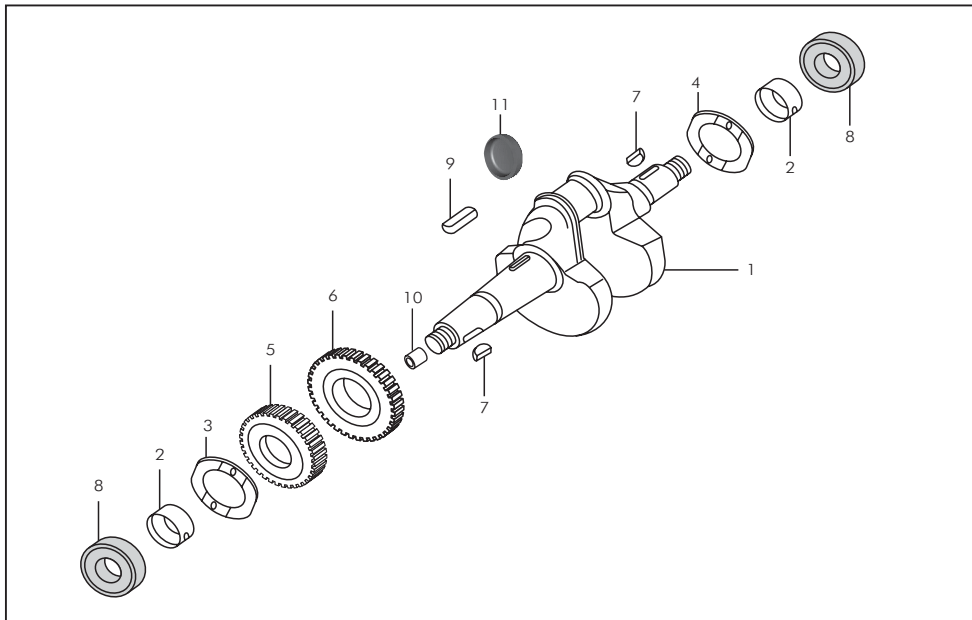




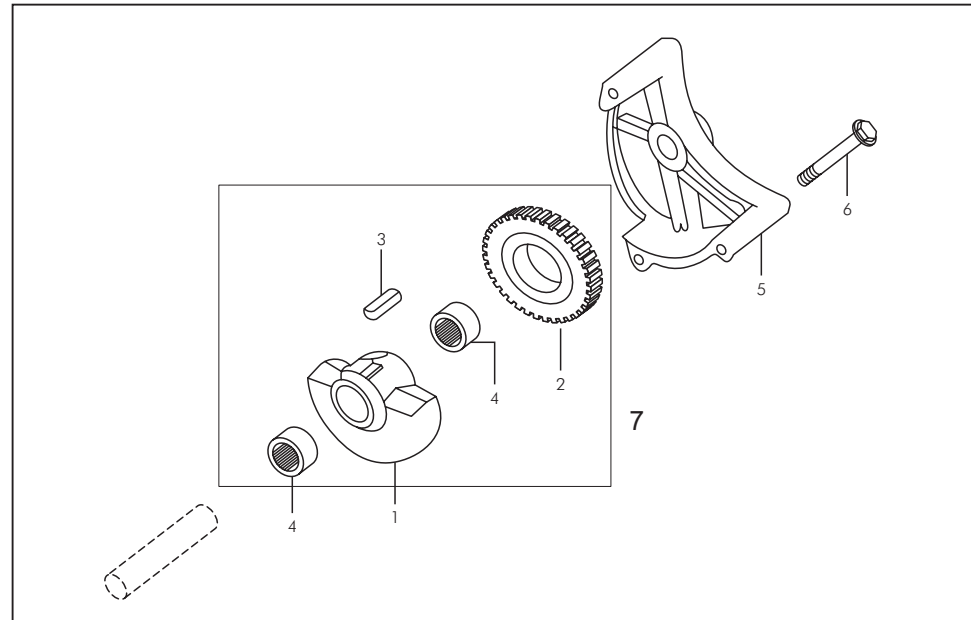
No.	Part No.	Description	Qty. per Veh.		Remarks
			BH	BG	
1	BB 1010 92	Cam Shaft Assembly	1	1	
2	BA 1020 54	Gear ( Cam)	1	1	
3	BA 1021 29	Woodruff Key	1	1	
4	39 1436 20	Needle roller bearing	2	2	
5	BA 1020 55	Shim (Cam Shaft)	1	1	
6	BA 1020 48	Tappet	2	2	
7	BA 1022 38	Push rods	2	2	



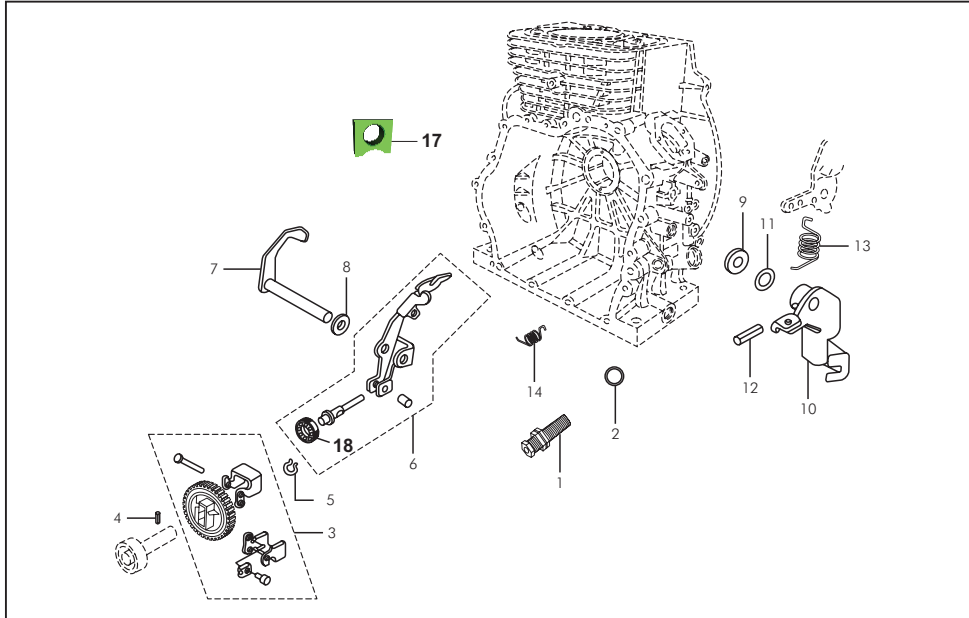
No.	Part No.	Description	Qty. per Veh.		Remarks
			BH	BG	
1	BB 1010 94	Piston Standard	1	1	BSIII- NS
2	39 2203 07	Pin - parallel	1	1	BSII
3	BB 1010 95	Piston & ring Assembly	1	1	BSIII
4	BA 1020 61	Piston Pin	1	1	
5	BA 1020 62	Piston Pin Circlip	2	2	
6	BB 1011 65	Assembly Con. Rod	1	1	
7	BB 1011 68	Bolt Connecting Rod	2	2	
8	BA 1020 66	Washer Connecting Rod	2	2	
9	BA 1020 64	Crank pin metal	1	1	
9a	BA 1021 74	Crank pin metal (Under size)	1	1	
10	36 BA40 01	Cylinder liner Piston Kit	1	1	BSII
10a	36 BB00 06	Cylinder liner Kit	1	1	BSIII
11	BB 1011 70	Bush piston pin	1		



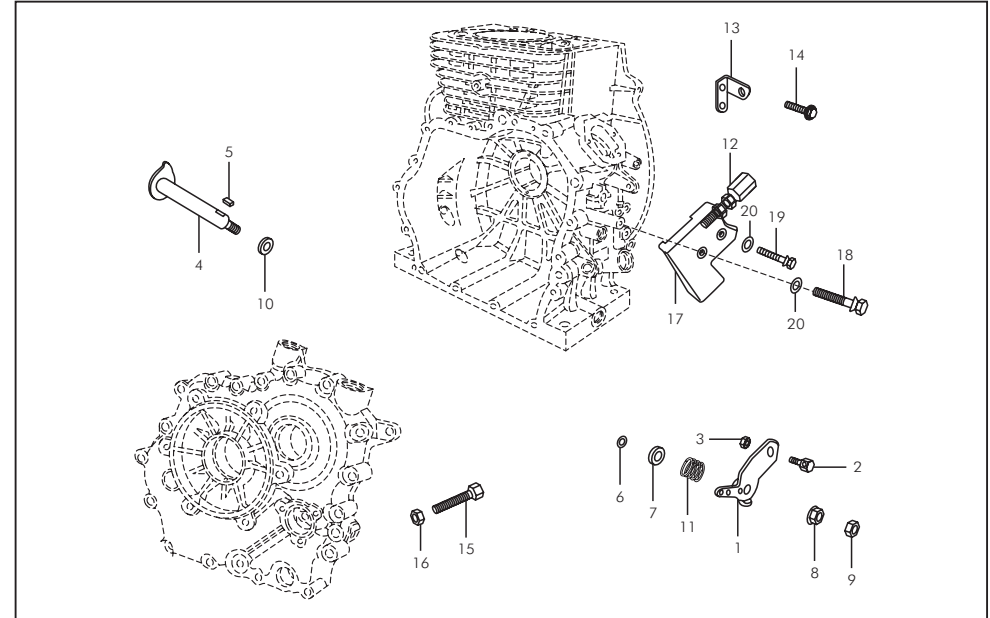
No.	Part No.	Description	Qty. per Veh.		Remarks
			BH	BG	
1	BA 1022 08	Crankshaft with gear assly	1	1	NS
1a	BA 1020 67	Crankshaft	1	1	
1b	BA 1021 75	Metal Crankshaft (Under size)	1	1	
2	BA 1020 68	Bearing main crank shaft	2	2	
3	BA 1023 09	Washer thrust- crankcase	1	1	
4	BA 1023 04	Washer thrust- side cover	1	1	
5	BA 1020 71	Gear Crankshaft	1	1	
6	BA 1020 72	Gear 1 Balancer	1	1	
7	BA 1020 99	Woodruff key	2	2	
8	39 1499 19	Oil seal	2	2	
9	BA 1021 30	Feather Key (Crankshaft Gear)	1	1	
10	BA 1021 26	Bush Crankshaft	1	1	
11	BA 1021 18	Cap - sealing (crankshaft)	1	1	



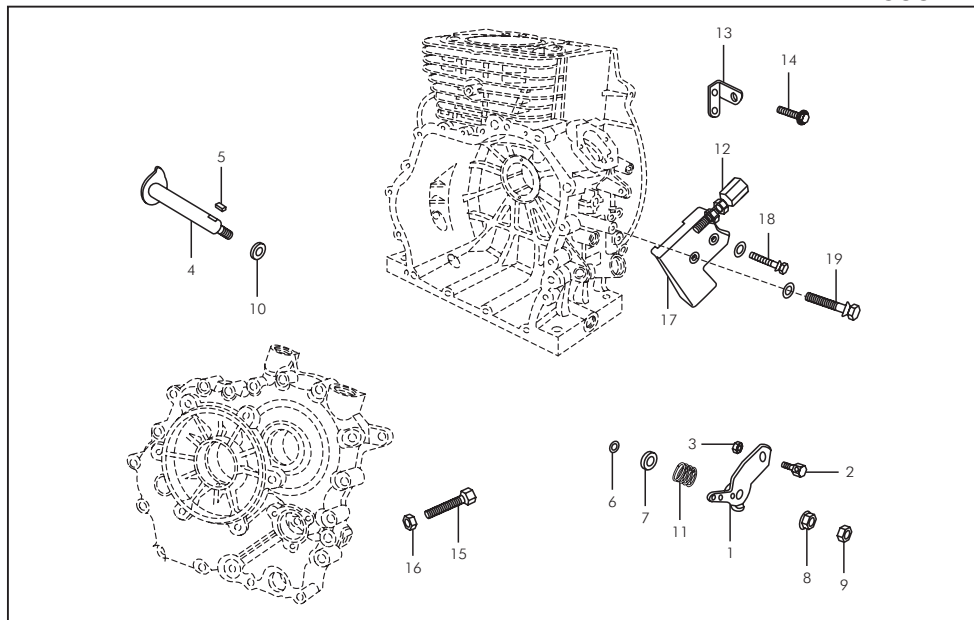
No.	Part No.	Description	Qty. per Veh.		Remarks
			BH	BG	
1	BB 1011 73	Weight complete balancer	1	1	
1	BB 1011 72	Weight Balancer	1	1	
2	BA 1020 77	Gear (2 Balancer)	1	1	
3	BA 1020 78	Feather key for Balancer	1	1	
4	39 1435 20	Needle Roller Bearing	2	2	
5	BA 1020 76	Case Balancer	1	1	
6	BA 1022 55	Bolt pre-coaled	3	3	



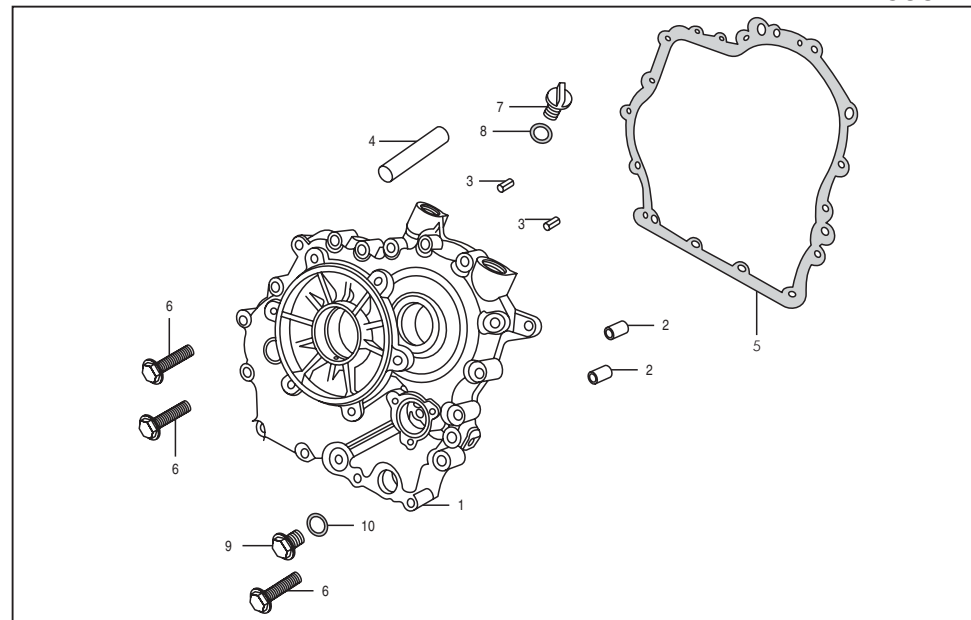
No.	Part No.	Description	Qty. per Veh.		Remarks
			BH	BG	
1	BB 1210 79	Limiter device Assembly	1	1	
2	BA 1020 87	Packing	1	1	
3	BA 1220 29	Governor gear complete	1	1	
4	39 1570 06	Spring dowel sleeve	1	1	
5	BA 1220 32	Stopper	1	1	Clip lock
6	BB 1210 80	Lever complete -1 (Governor)	1	1	BSIII from 1.05.2010
7	BB 1210 82	Lever - 2 (Governor)	1	1	BSIII from 1.05.2010
8	LD A000 02	Plain washer Small	1	1	BSIII
9	39 1498 19	Oil seal	1	1	BSII
9a	BB 1210 83	Oil seal- Shaft Governor	1	1	BSIII
10	BB 1210 84	Lever 3 (Governor)	1	1	BSIII from 1.05.2010
11	BB 1210 85	Shim Governor	1	1	BSIII from 1.05.2010
12	39 1567 06	Spring dowel sleeve	1	1	
13	BA 1220 44	Governor Spring	1	1	
14	BB 1210 97	Spring Tension (Idling)	1	1	BSIII
15	BA 1220 41	Pin Governor shaft	1	1	
16	KH CA04 18	pin-spring(ba121044)	1	1	
17	BA 1220 34	Collar - governor weight	2	2	
18	39 1430 20	Bearing - ball :- 6 X 19 X 6	1	1	



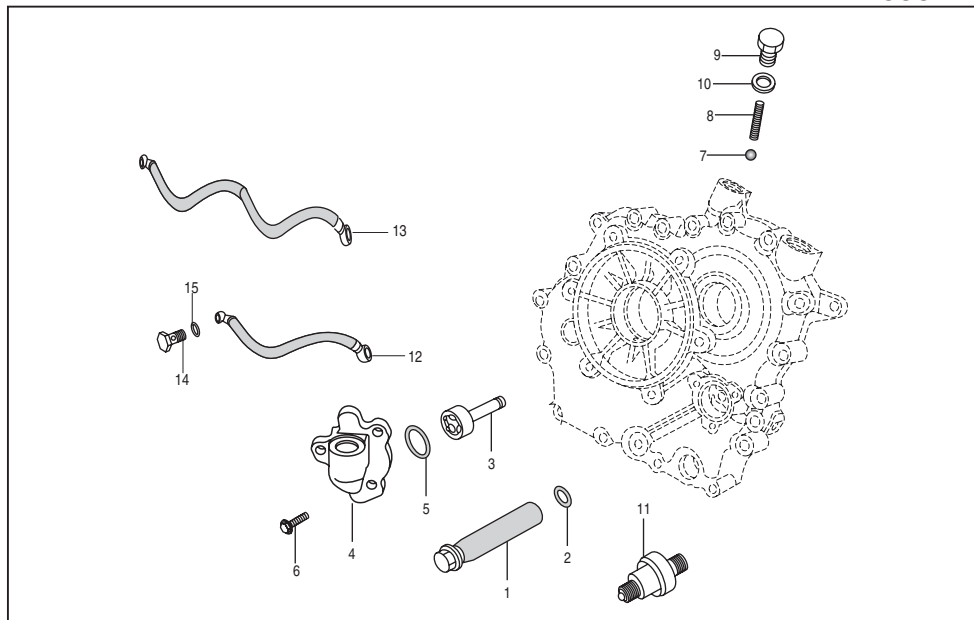
No.	Part No.	Description	Qty. per Veh.		Remarks
			BH	BG	
1	BA 1220 46	Lever assembly control	1	1	
2	BA 1222 18	Screw special	1	1	from 01.08.2010
3	39 0326 15	Self locking nut	1	1	pe ba122218
4	BA 1220 47	Shaft complete (speed limit)	1	1	
5	BA 1220 48	Feather key	1	1	
6	39 1561 21	"O" ring	1	1	
7	BA 1220 49	Disc Friction	1	1	
8	39 1581 15	Flange nut	1	1	
9	39 1580 15	Hexagon nut	1	1	
10	39 1180 11	Plain washer	1	1	
11	BA 1220 50	Stop spring	1	1	
12	BA 1022 77	Adjuster with nut	1	1	
12a	BA 1011 71	Adjuster with nut	1	1	
13	BA 1222 16	Release holder	1	--	from 26.07.2011
14	39 1062 04	Bolt flanged small	2	--	
15	39 1547 04	Hexagon bolt	1	1	



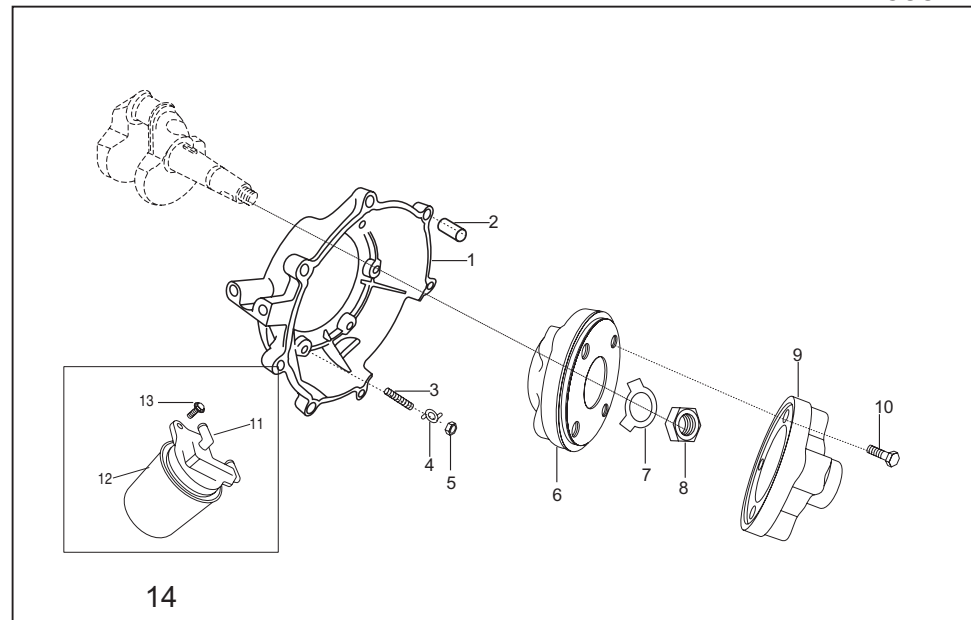
No.	Part No.	Description	Qty. per Veh.		Remarks
			BH	BG	
16	39 1579 15	Hexagon nut	1	1	
17	BA 1021 83	Cover for governor lever	1	1	
17	BA 1222 02	Cover for governor lever	1	1	from 1.11.2010
17	BB 1030 04	Cover governor	1	1	
18	BA 1021 86	Bolt (short) for mounting cover	1	1	
19	BA 1021 87	Bolt (Long) for mounting cover	1	1	
20	BA1222 14	holder assembly-throttle wire	1	1	



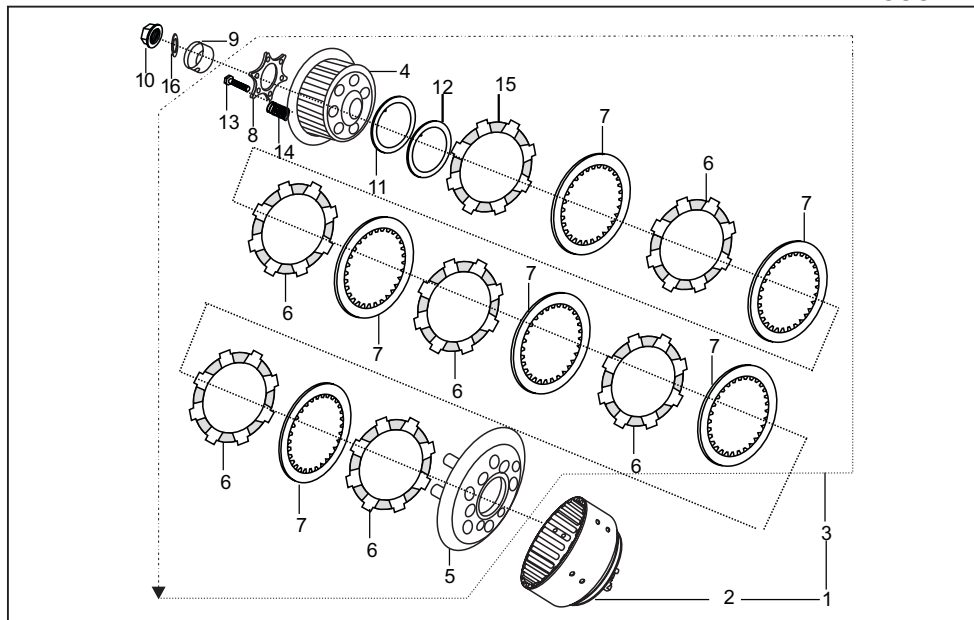
No.	Part No.	Description	Qty. per Veh.		Remarks
			BH	BG	
1	BA 1022 90	Assembly cover C'case	1	1	
2	BA 1020 04	Plug	2	2	
3	39 1569 06	Spring dowel sleeve	2	2	
4	BA 1020 07	Shaft Balancer	1	1	
5	BA 1020 05	Gasket side cover (0.6 mm)	1	1	
5a	BA 1021 32	Gasket side cover (0.7 mm)	1	1	
5b	BA 1021 31	Gasket side cover (0.5 mm)	1	1	
6	39 1558 04	Flange bolt	17	17	
7	BA 1020 38	Plug oil filler	1	1	
8	39 1562 21	"O" ring	1	1	
9	BA 1021 76	Oil plug	1	1	
10	39 1564 21	'O' ring	1	1	



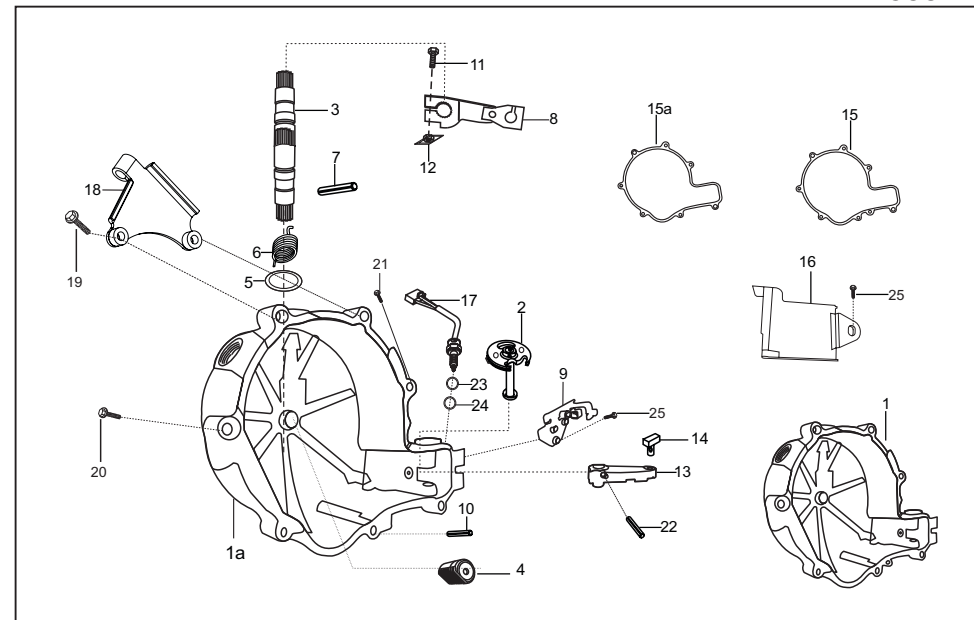
No.	Part No.	Description	Qty. per Veh.		Remarks
			BH	BG	
1	BB 1030 11	Assembly strainer	1	1	FR 1.07.2013
2	59 2100 23	"O" Ring	1	1	FR 1.07.2013
3	BA 1222 05	Rotor Assembly (Oil pump)	1	1	
4	BA 1222 04	Oil pump cover	1	1	
5	39 1497 21	"O" Ring	1	1	
6	39 1197 04	Bolt hexagon socket head	3	3	
7	BA 1021 27	Ball	1	1	
8	BA 1022 93	Spring	1	1	
9	BA 1020 84	Plug	1	1	
10	39 1445 25	Sealing ring	1	1	
11	BA 2010 82	Oil Pressure switch	1	1	
12	BA 1222 12	Oil tube (Small)	1	1	C' case cover to filter
13	BA 1222 13	Oil tube (Big)	1	1	Filter to cover c' case
14	BA 1410 17	Banjo bolt	2	2	
15	BA 1221 43	Copper washer	4	4	
16	39 1686 06	Pin - hollow dowel	2	2	NI



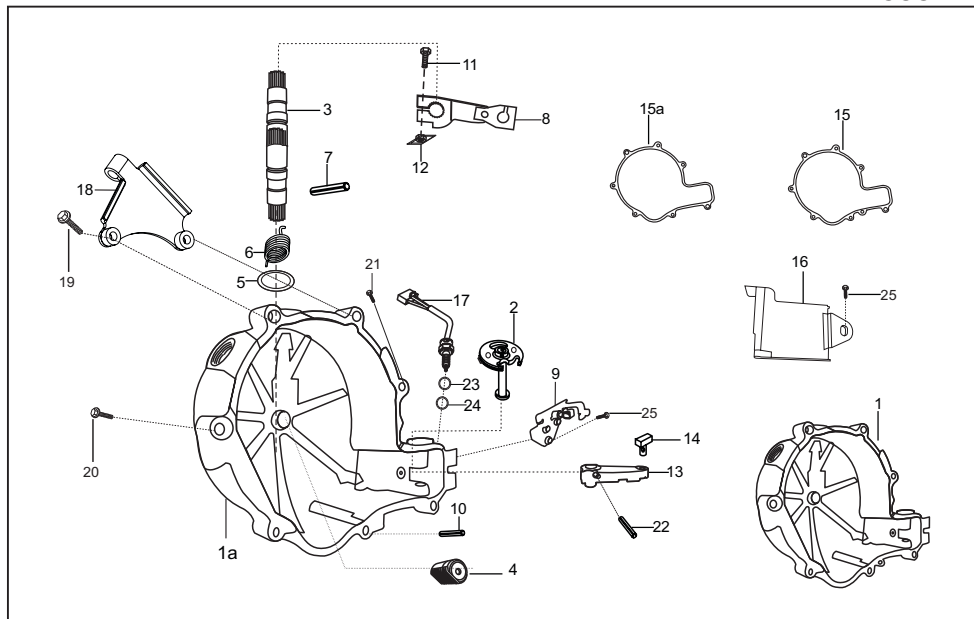
No.	Part No.	Description	Qty. per Veh.		Remarks
			BH	BG	
1	BG 5520 06	Housing coupling	1	1	
2	BA 1321 22	hollow dowel	2	2	
3	39 1423 05	Stud M8	6	6	
4	BA 1320 22	Washer lock cl. hsg.	6	6	
5	39 0694 15	Hex lock nut M8	6	6	
6	BG 5510 06	Coupling crankshaft	1	1	
7	BA 1320 22	Washer - Lock (clutch housing)	1	1	
8	BA 1321 04	Nut M27	1	1	
9	BG 5510 07	coupling main shaft BSII	1	1	
9	BG 5510 28	assembly coupling mg_shaft_	1	1	
10	39 1558 04	Flange bolt	4	4	
11	BA 1222 10	Cover oil filter (Casting)	1	1	
12	BA 1021 13	Oil filter element	1	1	
13	59 0400 48	Flanged bolt	2	2	
14	BA 1222 09	Assembly oil filter	1	1	



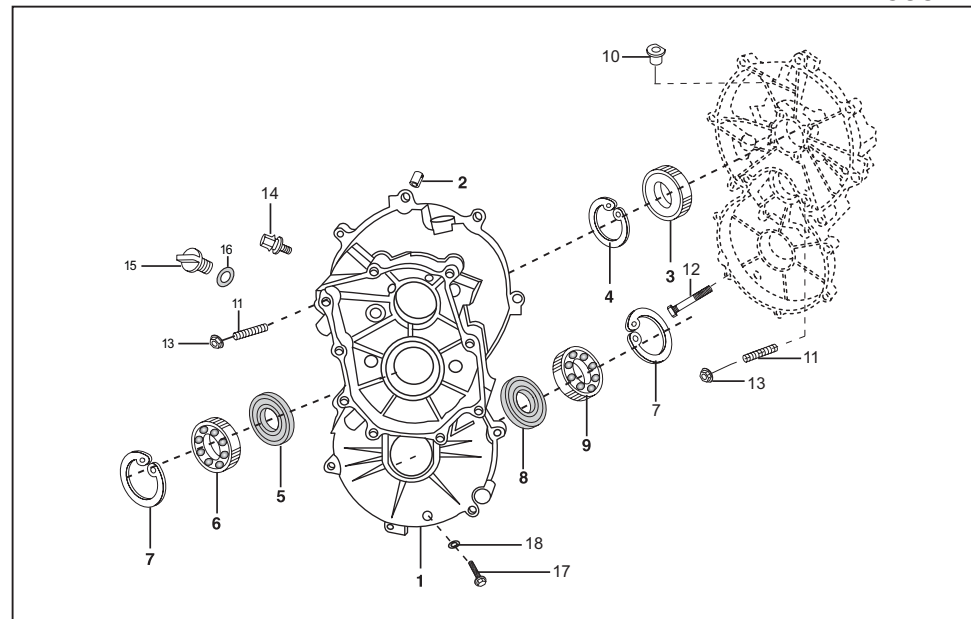
No.	Part No.	Description	Qty. per Veh.		Remarks
			BH	BG	
1	BG 5514 06	Clutch assembly complete	1	1	
2	BG 5514 07	Housing complete clutch	1	1	
3	BG 5514 11	Clutch plate assly	1	1	
4	BG 5514 12	Hub clutch with insert	1	1	
5	BG 5514 13	Wheel clutch	1	1	
6	36 BG00 05	kit plate friction-BG551414	6	6	
7	BG 5514 15	Plate clutch (steel)	6	6	
8	BG 5514 16	Holder clutch	1	1	
9	BG 5514 17	Assembly recess cup	1	1	
10	DH 1011 95	Nut - primary drive lock	1	1	
11	BG 5514 25	Judder Washer	1	1	
12	JA 5514 22	Judder spring	1	1	
13	39 0980 04	Bolt	4	4	
14	BG 5514 26	Spring	4	4	
15	BG 5514 24	Plate friction (Reduced)	1	1	
16	39 2168 12	Washer Conical	1	1	



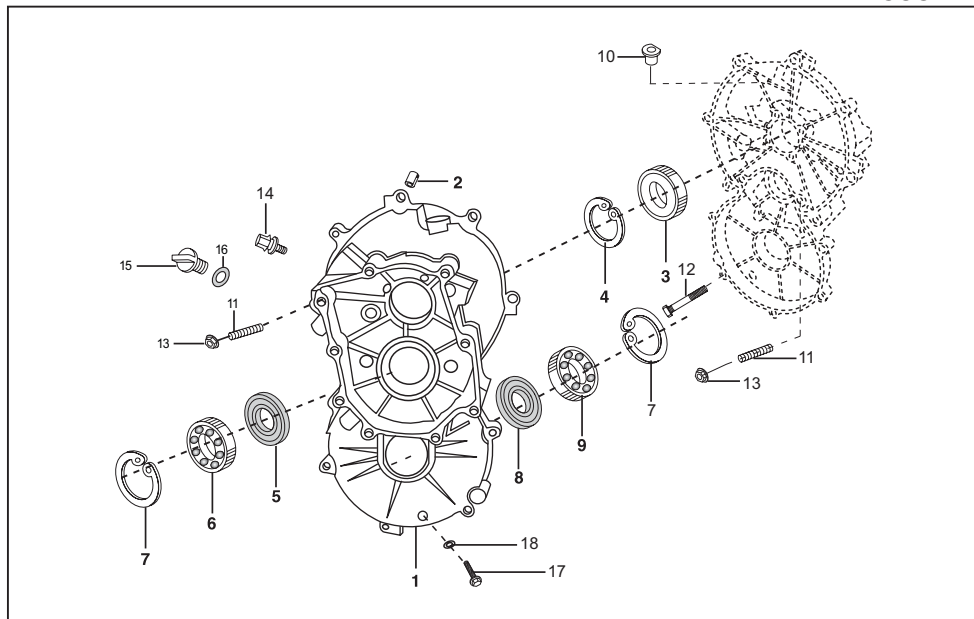
No.	Part No.	Description	Qty. per Veh.		Remarks
			BH	BG	
1	BG 5520 26	Cover clutch with bosh	1	1	Add. mtg boss
1a	BG 5520 27	Cover clutch	1	1	from 25.05.211
2	BG 5612 11	Lever sector complete	1	1	Add. mtg boss
2a	BG 5612 02	Lever sector complete	1	1	old
3	BG 5514 04	Shaft clutch release	1	1	
3a	BG 5514 31	Shaft clutch release	1	1	from 31.03.2011
4	BG 5514 21	Rack clutch push	1	1	
4	31 502 07	'O' Ring-for BG5520291	1	--	form-01.04.2011
5	01 1009 05	'O' Ring	1	1	
5a	03 1502 07	'O' Ring	1	1	from 1.04.2011
6	BG 5514 05	Spring clutch release	1	1	
7	BG 5514 22	Spring type straight pin	1	1	
8	DH 1011 80	Clutch lever (fixed terminal)	1	1	
9	Bg 5614 02	Bracket Clutch Cable	1	1	From 11.11.09
9a	BG 5614 01	Bracket gear & rev cable	1	1	
10	39 1567 06	Sleeve spring dowel	1	1	NS
11	39 1558 04	Flange bolt	1	1	
12	DH 1012 75	Special nut	1	1	
13	BG 5612 00	Lever gear selector	1	1	NS
14	BA 1321 41	Slider block	1	1	
15	BG 5520 18	Clutch cover gasket	1	1	from-01.03.2010
15a	BG 5520 07	Clutch cover gasket (OLD)	1	1	



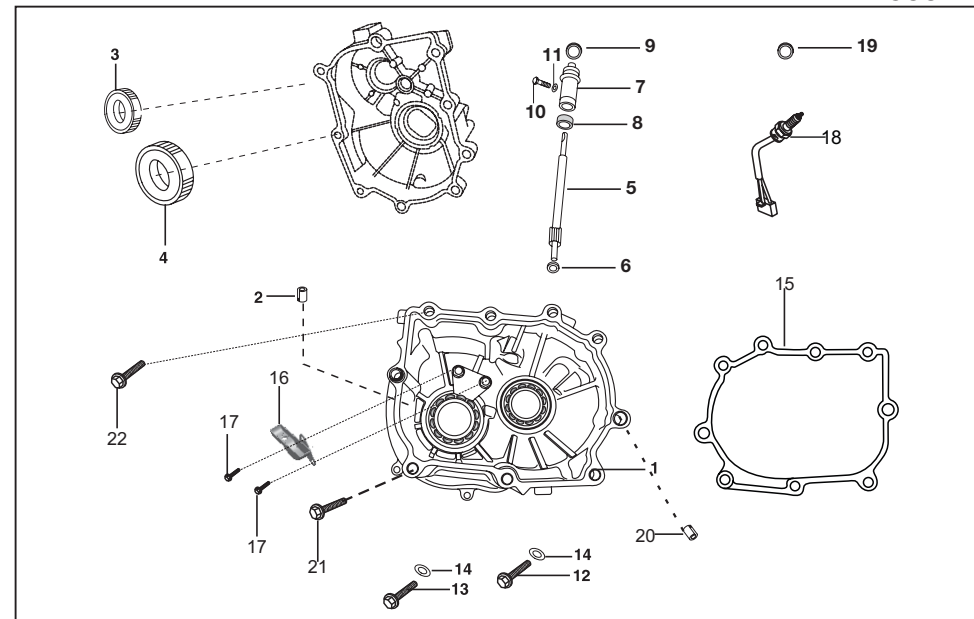
No.	Part No.	Description	Qty. per Veh.		Remarks
			BH	BG	
16	BG 5520 05	Cover shifter	1	1	
17	AP 1110 23	Neutral switch	1	1	
18	BG 5514 02	Bracket Clutch cable	1	1	
19	39 1065 04	Bolt flange M6X40	2	2	
20	39 1075 04	Bolt flange (upper)	3	3	
21	39 2147 04	Bolt flange (lower)	2	2	
22	39 0426 06	Spring type straight pin	1	1	
23	BG 5514 30	washer-D	1	1	NS
24	39 0804 11	Plain washer	1	1	
25	39 1672 04	Flange bolt (reverse bracket)	4	4	
26	31 1010 67	Gauge (oil level window)	1	1	N. I.
27	DS 1012 01	bushing (ptfe)	2	2	N. I.



No.	Part No.	Description	Qty. per Veh.		Remarks
			BH	BG	
1	BG 5520 12	Assly Main housing	1	1	
1a	BG 5520 00	Main housing	1	1	
2	BA 1321 22	Hallow dowel	2	2	
3	39 2185 20	Ball bearing (clutch shaft)	1	1	
4	BA 1321 91	Circlip (internal)	1	1	
5	39 1534 19	Oil seal	1	1	
6	39 1324 20	Ball bearing (main shaft)	1	1	
7	BA 1321 34	Circlip	1	1	
8	BA 1322 57	Oil Seal	1	1	
9	KP BB60 07	Ball bearing (differential)	1	1	
10	BA 1320 12	Bush top	1	1	
11	39 1423 05	Stud	4	4	
12	39 1431 04	D bolt	5	5	
13	39 1970 15	Flange nut	5	5	
14	BA 1022 07	Joint - Breather Pipe	1	1	
15	BA 1020 38	Oil plug	1	1	

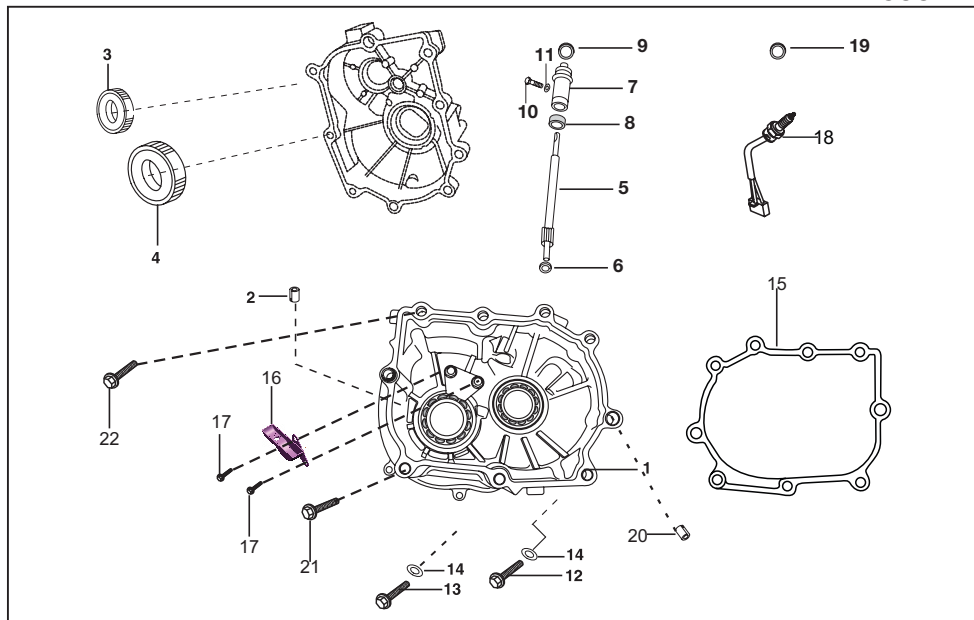


No.	Part No.	Description	Qty. per Veh.		Remarks
			BH	BG	
16	39 1562 21	O ring	1	1	
17	AL 1310 74	Oil plug	1	1	
18	39 1585 11	Plain washer	1	1	

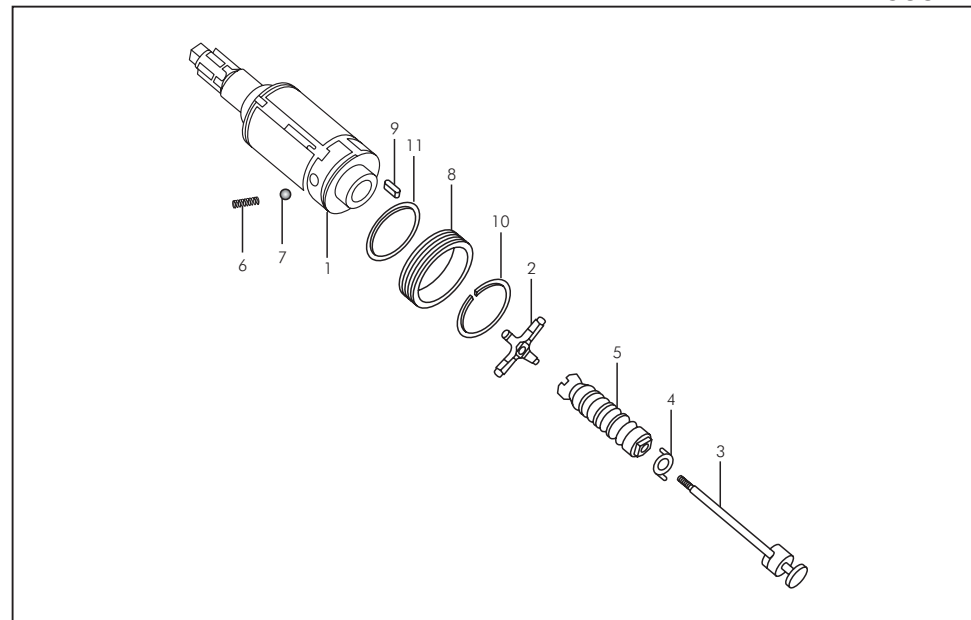


No.	Part No.	Description	Qty. per Veh.		Remarks
			BH	BG	
1	BG 5520 20	Gear Box Cover	1	1	
2	BA 1321 60	Pin (Gear box cover)	1	1	
3	24 1301 05	Ball bearing (small)	1	1	
4	39 1487 20	Ball bearing (big)	1	1	
5	AL 1310 07	Shaft Fare meter	1	--	
5	BG 5526 00	Shaft drive fare meter	--	1	
6	BA 1320 64	Washer (distance piece)	1	1	
7	AL 1310 06	Bush Fare meter	1	1	
8	39 1498 19	Oil seal	1	1	
9	39 1587 21	"O" Ring	1	1	
10	39 0897 04	Bolt - Hexagon head	1	1	
11	39 0198 11	Plain washer	3	3	
12	BA 1321 89	Oil plug (level) diff & gear box	1	1	
13	AL 1310 74	Oil plug (drain)	1	1	
14	39 1585 11	Plain washer	2	2	
15	AL 1310 51	Gasket Gear Box Cover	1	1	

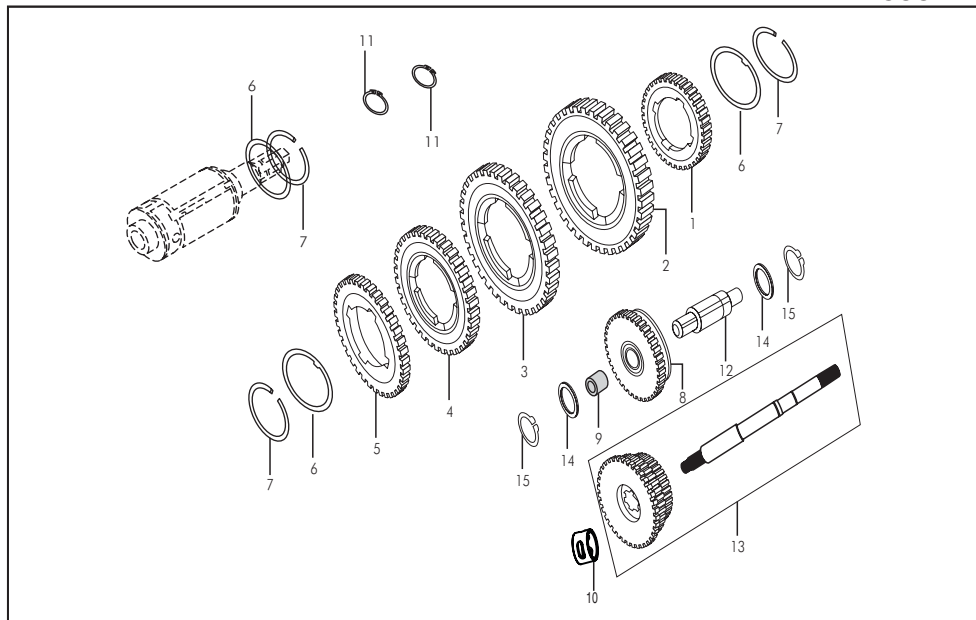




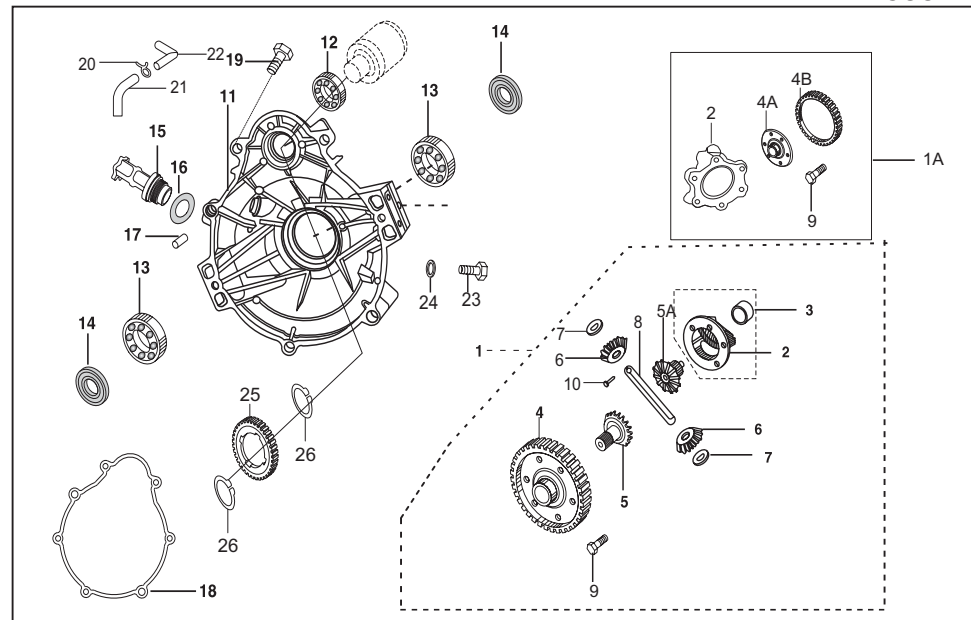
No.	Part No.	Description	Qty. per Veh.		Remarks
			BH	BG	
16	BG 5510 10	Lubricator bracket	1	1	
17	AA 1014 37	Flange bolt	2	2	For Mtg. lubricator assly.
18	BH 4014 00	Switch Reverse (with washer)	1	1	
19	39 0198 11	Washer plain	1	1	
20	39 0999 06	Pin dowel	2	2	
21	BG 5520 11	Bolt pre coated	2	2	
22	59 0400 48	Flanged bolt (cover mounting)	6	6	



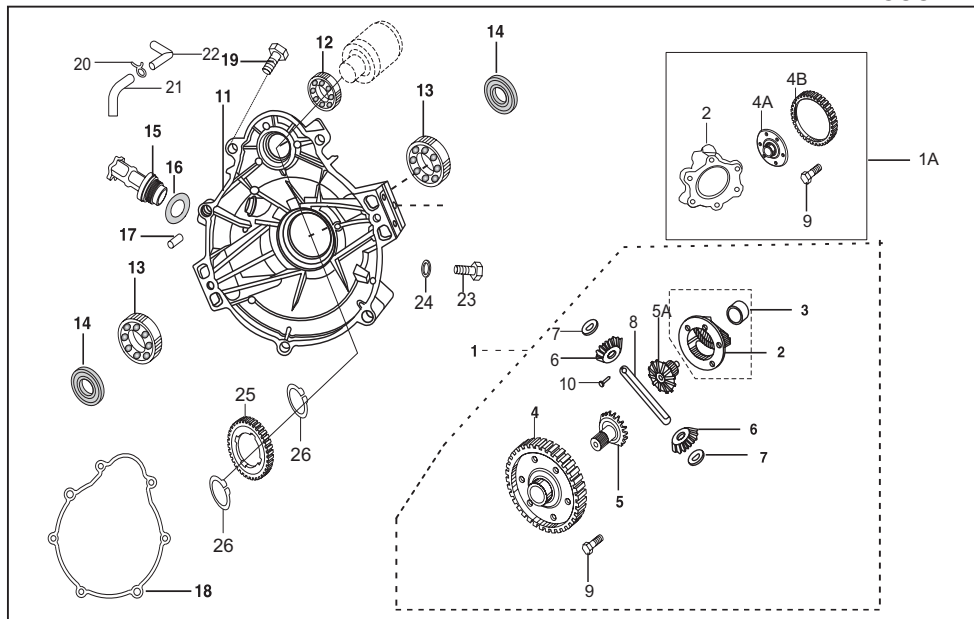
No.	Part No.	Description	Qty. per Veh.		Remarks
			BH	BG	
1	BG 5510 30	Main shaft	1	1	from 01.03.2011
1a	BG 5510 02	Main shaft	1	1	
1a	BH 5512 06	Assembly main shaft with gears	1	1	1.03.2011-NI
	BH 5512 00	Assembly main shaft with gears	1	1	Fr-1.1.2010 upto 1.03.2011
1b	BG 5510 01	Assembly main shaft with gears	1	1	fr- 1.06.2009 upto 1.1.2010
2	BA 1321 88	Cross	1	1	
3	BG 5510 04	Stem	1	1	
4	BA 1320 45	Tab washer (lock plate)	1	1	
5	BG 5510 05	Gear selector	1	1	
6	Ba 1321 26	Spring	2	2	from 01.03.2011
7	01 1801 23	Steel ball	2	2	
8	BA 1320 48	Drive gear fare meter	1	-	
8	BG 5526 01	Gear drive fare meter	-	1	
9	BA 1320 49	Key	1	1	
10	BA 1320 88	Circlip external	1	1	
11	BG 5512 21	Spacer	1	1	



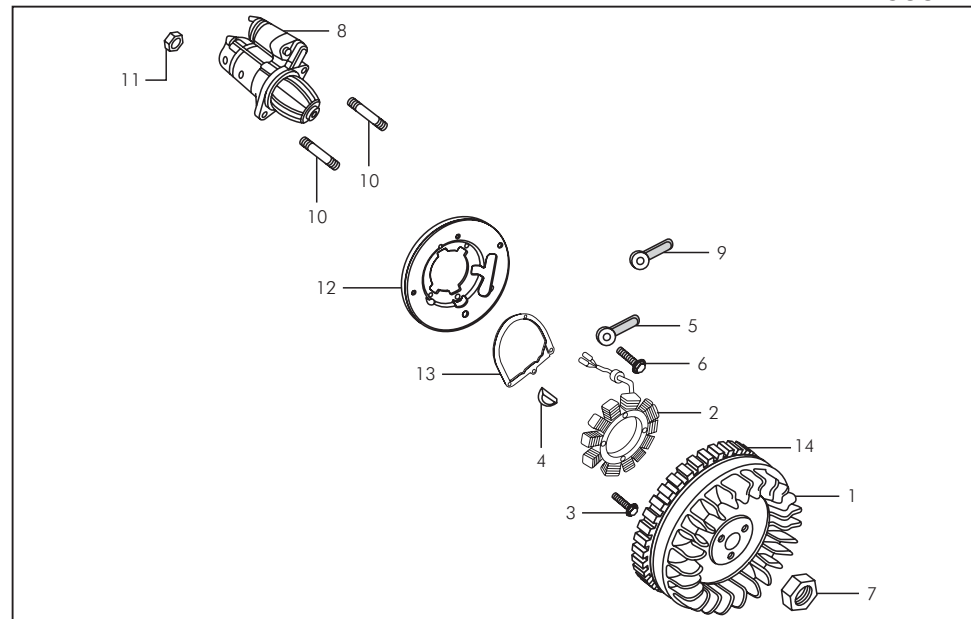
No.	Part No.	Description	Qty. per Veh.		Remarks
			BH	BG	
1	BG 5512 01	Reverse gear (Main shaft)	1	1	
1a	BG 5512 02	Gear reverse control	1	1	
2	BG 5512 00	Speed gear 1	1	1	
3	BG 5512 22	Speed gear 2	1	1	from 01.03.2011
4	BG 5512 23	Speed gear 3	1	1	from 01.03.2011
5	BG 5512 24	Speed gear 4	1	1	from 01.03.2011
6	19 1010 16	Shoulder ring	2	2	
6a	19 1010 17	Shoulder ring No. 2	1	1	
6b	19 1010 18	Shoulder ring No. 3	1	1	Selective
6c	19 1010 19	Shoulder ring No. 4	1	1	
6d	19 1010 20	Shoulder ring No. 5	1	1	NS
7	21 1007 11	Circlip	2	2	
8	BG 5512 03	R.C. gear assly	1	1	
9	BA 1321 16	Bushing	1	1	
10	BG 5510 12	Sleeve MG shaft	1	1	
11	39 1532 17	Circlip	2	2	
12	AL 1310 81	Shaft for R.C. gear	1	1	
13	BG 5510 09	Multiple Gear Shaft assly.	1	1	
14	39 1874 11	Plain Washer	2	2	NS
15	BA 1320 88	Circlip -external (shaft dia.45,thk 1.3)	1	1	



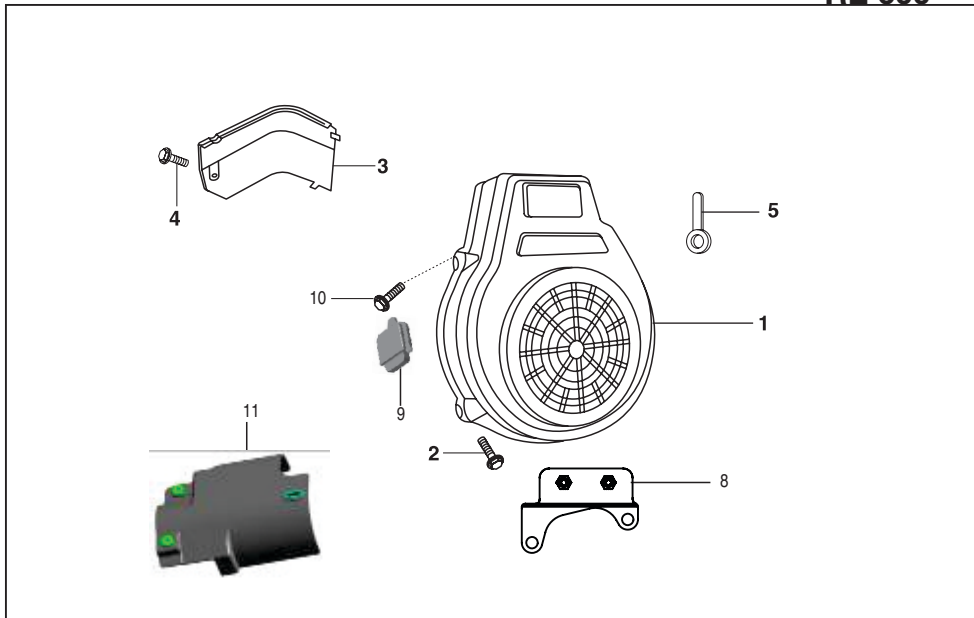
No.	Part No.	Description	Qty. per Veh.		Remarks
			BH	BG	
1	BH 5516 08	Assembly differential Damper	1	--	from 04.08.2011
1a	BG 5516 00	Assembly gear differential	1	1	
2	BG 5516 13	Housing Satellite-For damper	1	1	
3	24 1301 11	Bush - bevel gear housing	1	1	
4	BH 5516 06	Differential gear Damper	1	1	
4a	BG 5516 18	Differential hub	1	1	
4b	BG 5516 15	Damper integrated	4	4	
5	AL 1310 59	Bevel gear diff. gear side	1	1	
6	AL 1310 58	Satellite gear	2	2	
7	22 1310 14	Spacer	2	2	
8	24 1310 32	Pin bevel gear	1	1	
9	BA 1322 01	Flange bolt	6	6	
10	BG 5516 14	Pin	1	1	
11	BB 1311 99	cover differential	1	1	
12	30 1510 65	Ball bearing	1	1	
13	KP BB60 07	Ball bearing (Sealed)	2	2	
14	BA 1322 57	Seal - Oil - 50 X 10	2	2	
15	AL 1310 76	Oil plug	1	1	



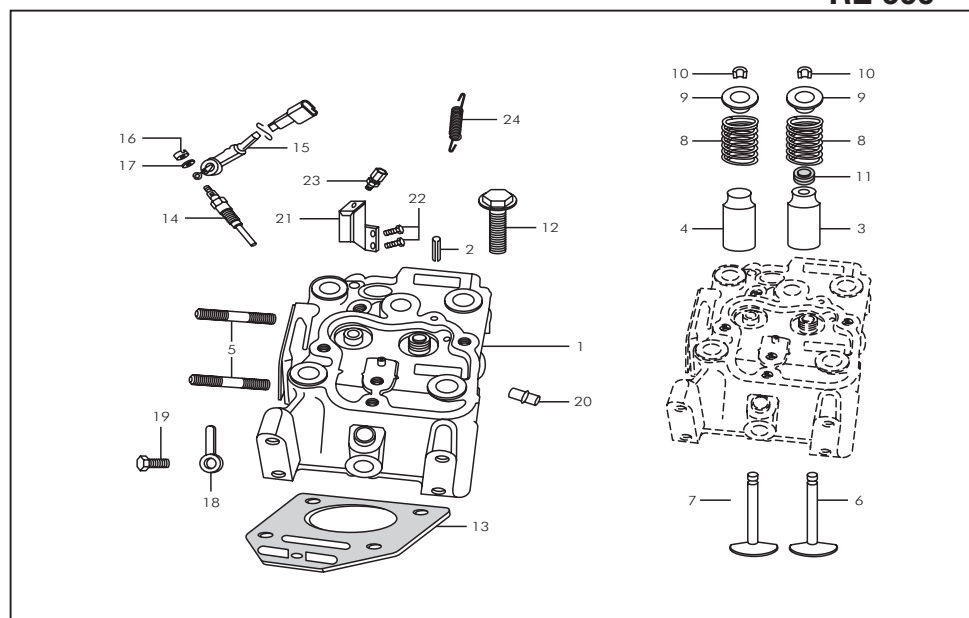
No.	Part No.	Description	Qty. per Veh.		Remarks
			BH	BG	
16	39 1562 21	'O' ring	1	1	
17	BA 1321 22	Hollow dowel	2	2	
18	AL 1310 20	Gasket (Differential cover)	1	1	
19	39 1970 15	Nut - Hexagon with flange-M8	2	2	
20	AP 1210 74	Clip	1	1	
21	BA 1021 46	Tube breather	1	1	
22	BA 1022 07	Breather pipe joint	1	1	
23	BA 1321 89	Oil Plug	1	1	
24	39 1585 11	Plain washer	1	1	
25	BH 5516 02	Pinion differential	1	1	
26	39 1532 17	Circlip external	2	2	



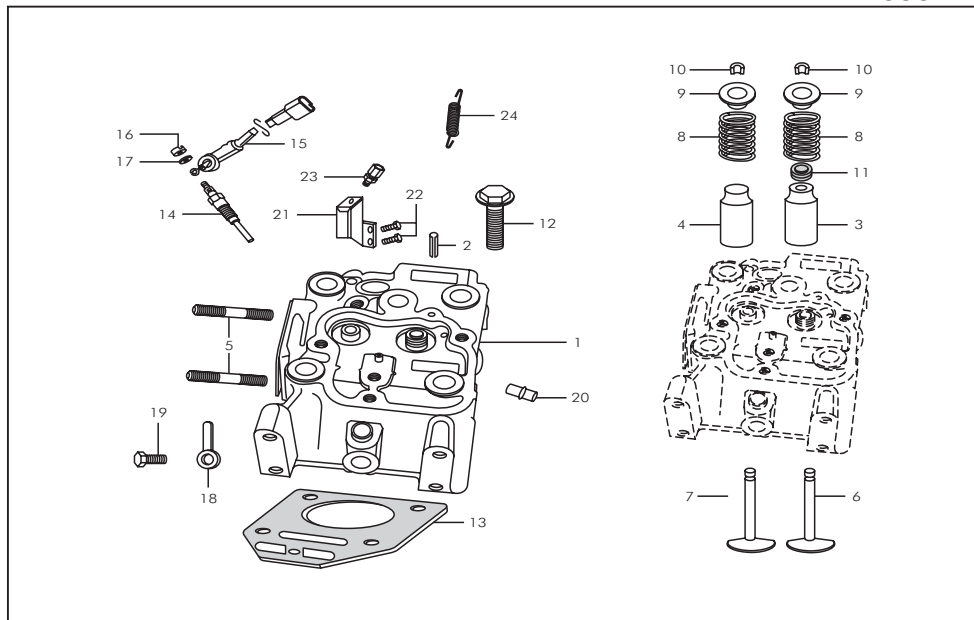
No.	Part No.	Description	Qty. per Veh.		Remarks
			BH	BG	
1	BB 1110 07	Alternator assly	1	1	
2	BA 1110 23	Assembly stator (1 phase)	1	1	
3	39 1552 04	Flange bolt	4	4	
4	BA 1020 99	Key woodruff	1	1	Magneto side on crankshaft
5	BA 2010 06	Clamp	1	1	
6	39 1551 04	Flange bolt	1	--	NS
7	BA 1021 00	Nut (Flywheel)	1	1	
8	BG 3516 02	Starter Motor	1	1	
9	BA 2010 06	Clamp	4	4	
10	39 1635 05	Stud	2	2	
11	39 1970 15	Nut - Hexagon with flange-M8	2	2	
12	Ba 1022 16	Cover - dust (alternator)	1	1	
13	BA 1022 15	Seal	1	1	
14	BA 1110 16	Ring gear	1	1	



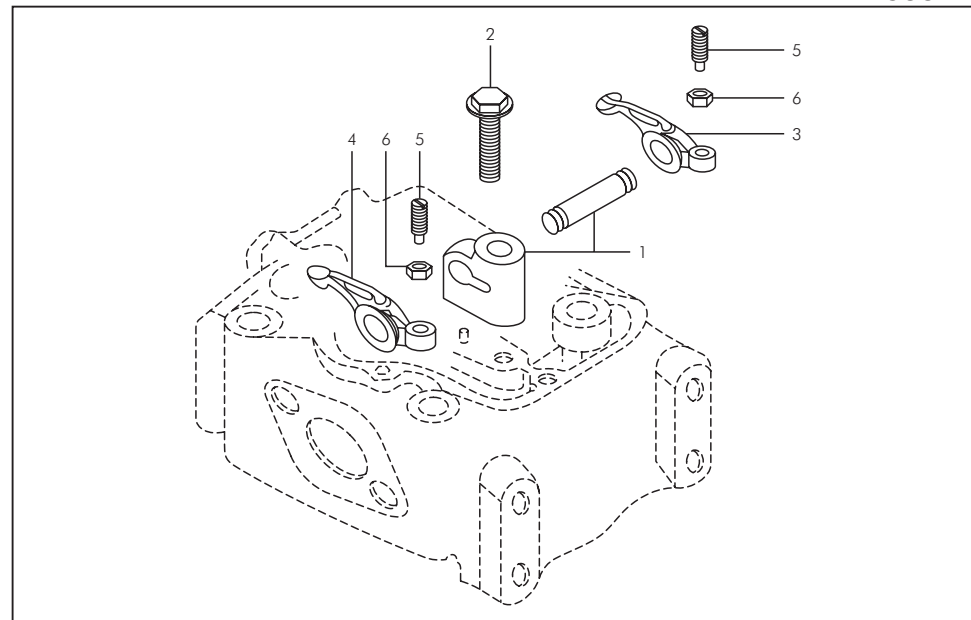
No.	Part No.	Description	Qty. per Veh.		Remarks
			BH	BG	
1	BG 5412 00	Case Spiral	1	1	
2	39 1552 04	Flange bolt	4	4	
3	BA 1021 04	Cowling Cylinder	1	1	
4	39 1680 04	Flanged bolt	1	1	
5	BA 2010 06	Clamp	1	1	
8	BB 1010 71	Bracket cover damper	1	1	
9	BG 5412 01	Grommet	1	1	
10	BB 1009 02	Bolt special	2	2	
11	BG 3516 01	Cover starter motor	1	1	with SB propeller shaft
10	BA 1020 96	Cover oil cooler (ppcp)	2	2	NI



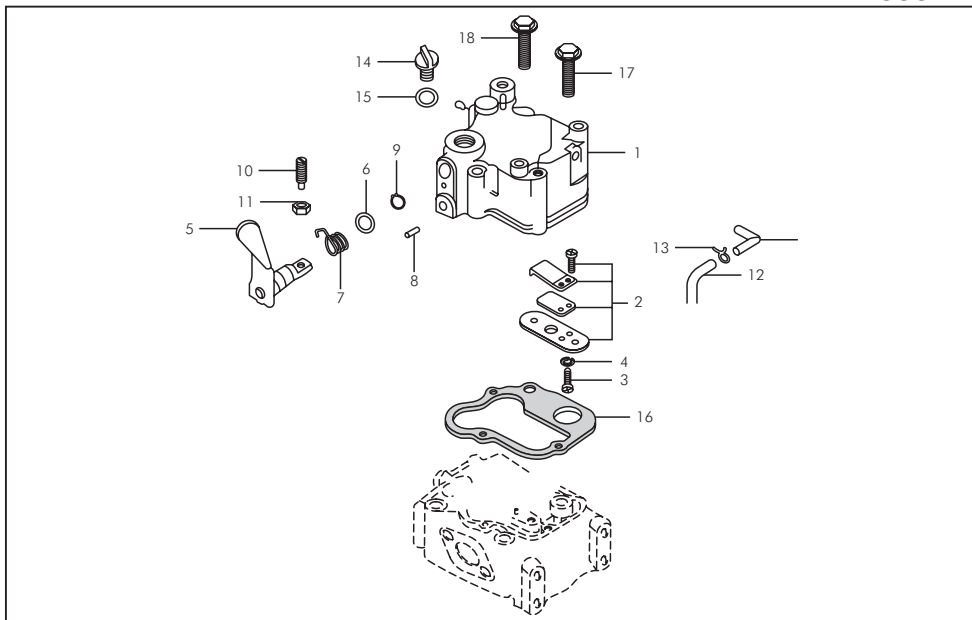
No.	Part No.	Description	Qty. per Veh.		Remarks
			BH	BG	
1a	BB 1010 87	Cylinder head complete	1	1	
2	39 1568 06	Spring dowel sleeve	1	1	NS
3	BA 1020 21	Guide Inlet valve	1	1	
4	BA 1020 23	Guide Exhaust valve	1	1	
5	39 2264 05	Stud	2	2	
6	BA 1020 14	Valve (Inlet)	1	1	
7	BA 1020 17	Valve (Exhaust)	1	1	
7a	BA 1020 25	seat - valve (inlet)	1	1	
7a	BA 1020 26	seat - valve (exhaust)	1	1	
8	BA 1020 19	Valve Spring	2	2	
9	BA 1020 20	Retainer Valve Spring	2	2	
10	BA 1020 22	Collet Valve Spring	4	4	
11	BB 1010 90	Seal Valve Stem	2	2	BSIII
12	BA 1022 70	Head bolt	4	4	
13	BA 1020 16	Gasket Cylinder Head	1	1	BSII
13a	BB 1010 91	Gasket Cylinder Head	1	1	BSIII
14	BA 1110 17	Glow Plug	1	1	BSII
14a	BB 1110 09	Glow Plug	1	1	BSIII
15	BA 1110 06	Cord, Glow Plug	1	1	



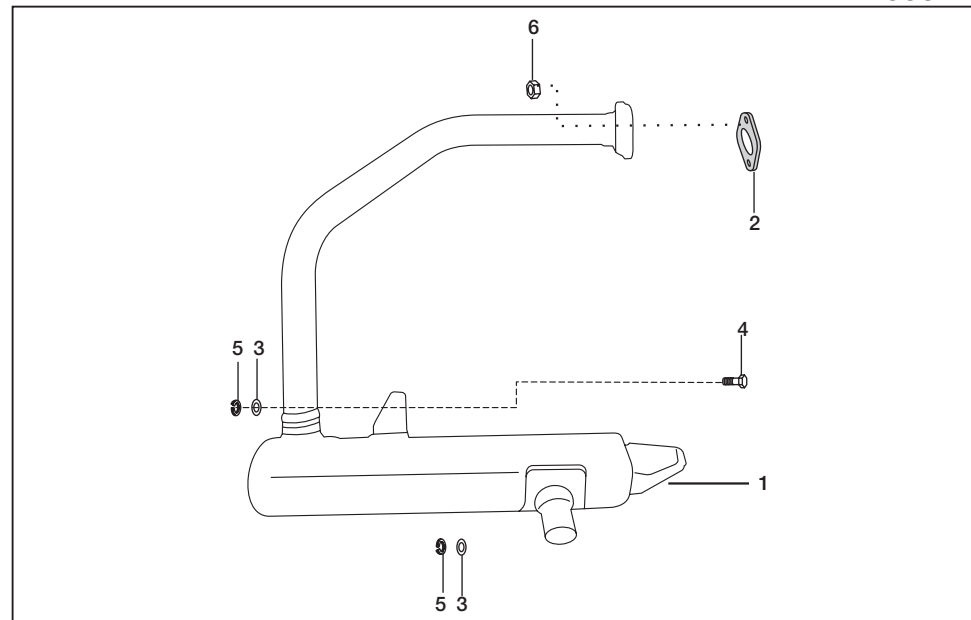
No.	Part No.	Description	Qty. per Veh.		Remarks
			BH	BG	
16	39 1560 15	Flange nut	1	1	NS
17	39 0375 11	Plain washer	1	1	
18	BA 2010 06	Clamp	1	1	
19	39 0897 04	Bolt	1	1	
20	BA 1020 27	Pipe joint	1	1	
21	BA 1022 65	Bracket D'com	1	1	
22	39 1680 04	Bolt flanged small	2	2	
23	51 010 83	Adjuster with nut	1	1	
24	16 2010 55	Spring stop switch	1	1	



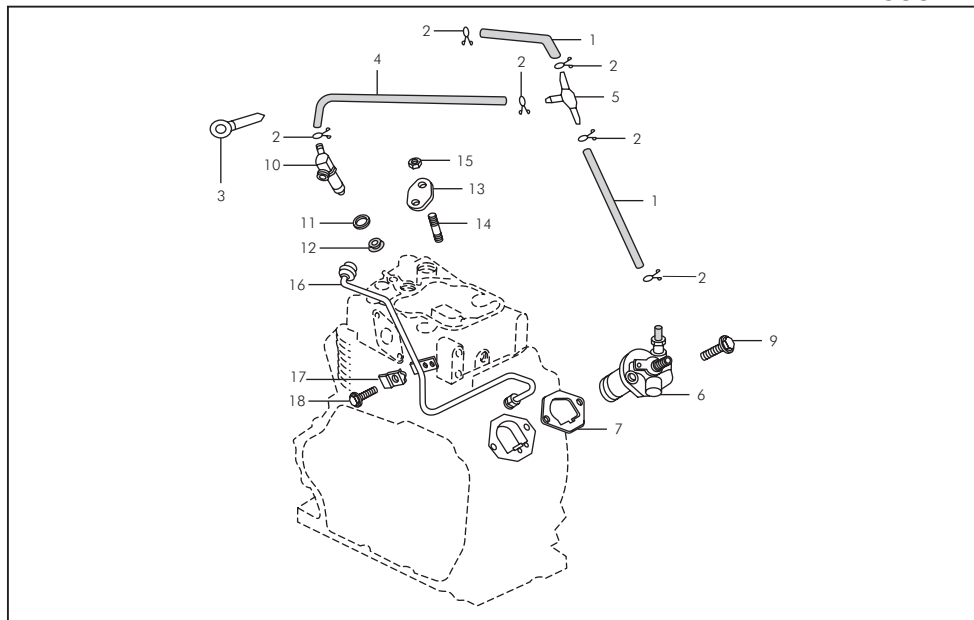
No.	Part No.	Description	Qty. per Veh.		Remarks
			BH	BG	
1	BA 1020 30	Bracket Complete Rocker	1	1	
1a	BA 1023 01	bracket complete rocker (with shaft)	1	1	
2	39 1558 04	Flange bolt	1	1	
3	BA 1020 33	Rocker Arm Inlet	1	1	
3a	BA 1011 36	arm assembly - rocker :- (inlet)	1	-	
4	BA 1020 34	Rocker Arm Exhaust	1	1	
4a	BA 1011 40	arm assembly - rocker :- (exhaust)	1	--	
5	BA 1022 79	Adjusting Screw	2	2	
6	BA 1020 36	Nut	2	2	



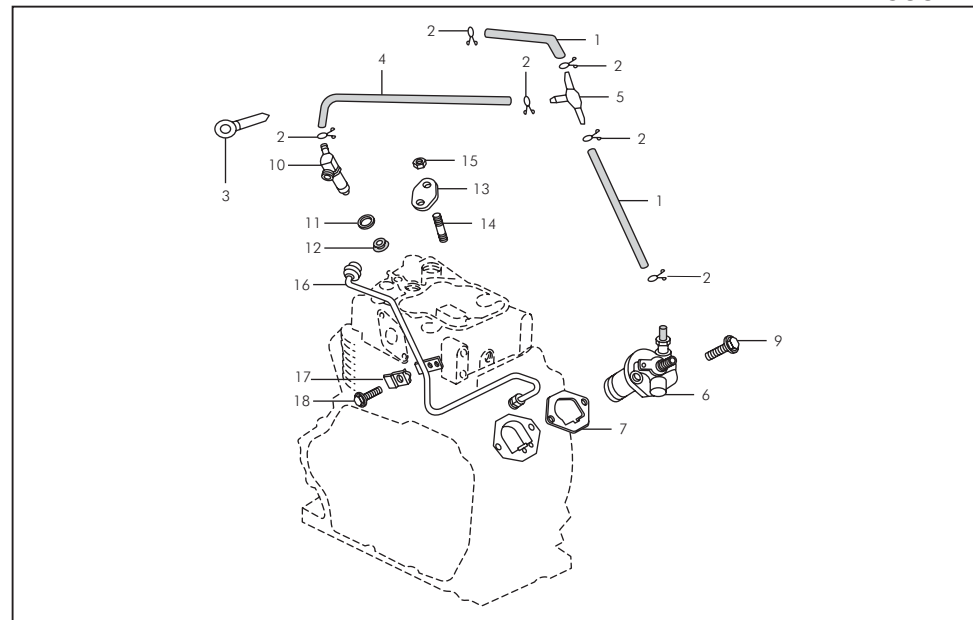
No.	Part No.	Description	Qty. per Veh.		Remarks
			BH	BG	
1	BA 1022 59	Head Cover sub assly	1	1	
1a	Ba 1022 64	assembly head cover	1	1	
2	BA 1020 43	Breather Assembly	1	1	
3	39 0761 01	Screw Pan Cross	2	2	
4	39 0790 12	Washer Spring	2	2	
5	BA 1022 67	Shaft Complete ( Decompress)	1	1	
6	39 1046 19	"O" Ring	1	1	
6a	39 0703 11	plain washer	1	1	
7	BA 1022 63	Torsion Spring (Decompress)	1	1	
8	39 1567 06	Spring Dowel Sleeve	1	1	
9	39 0645 17	Circlip (external)	1	1	
10	BA 1020 47	Decompression Bolt	1	1	
11	39 1578 15	Hexagon Nut	1	1	
12	BA 1021 46	Breather tube	1	1	
13	BA 1021 47	Pipe Clip	1	1	
14	BA 1020 38	Oil Plug	1	1	
15	39 1562 21	"O" Ring	1	1	
16	BA 1020 42	Gasket Head Cover	1	1	
17	39 1571 04	Flange Bolt	3	3	



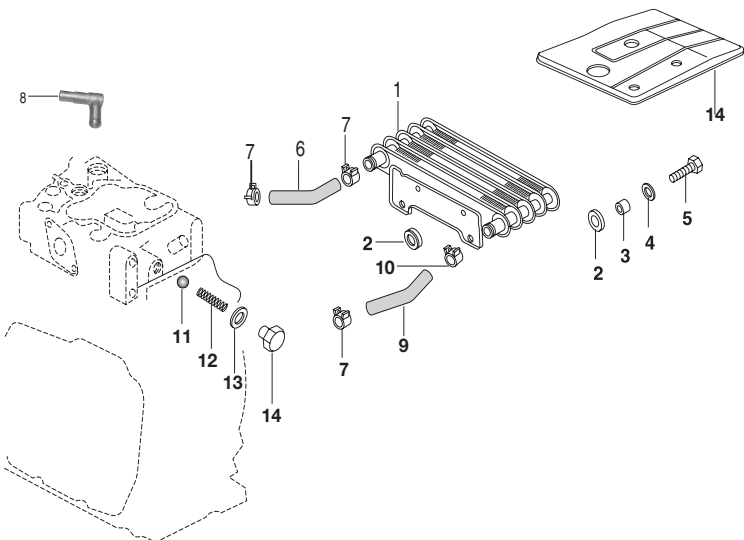
No.	Part No.	Description	Qty. per Veh.		Remarks
			BH	BG	
1	BG 5910 00	Silencer	1	1	
2	BA 1020 29	Gasket (Muffler)	1	1	
3	39 1180 11	Plain washer	4	4	
4	39 0390 04	Screw - hexagon	2	2	
5	39 0265 12	Spring washer	4	4	
6	30 1010 25	Nut	2	2	NS



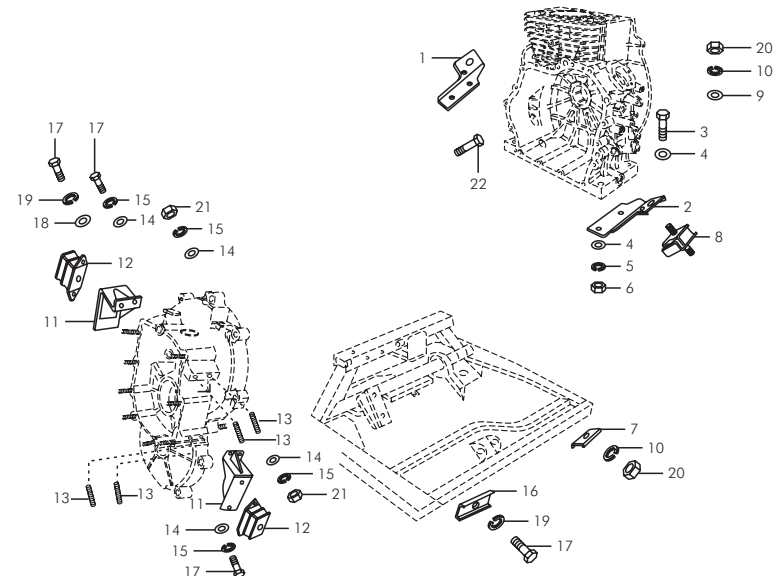
No.	Part No.	Description	Qty. per Veh.		Remarks
			BH	BG	
1	BG 5010 03	Fuel Overflow pipe	2	2	alt-BA122003
2	Ba 1220 03	Clip - pipe	4	4	
3	BA 1022 03	Clip breather	2	2	
4	BA 1220 78	Tube Fuel	1	1	
5	BA 1220 05	T joint	1	1	
5	BA 1410 33	T JOINT	1	1	
6	BA 1220 07	Pump assly Injection (MICO)	1	1	
6a	BB 1210 86	Pump assly Injection	1	1	
7	BA 1220 08	Pump adjust shim	1	1	
7a	BA 1220 09	Shim	1	1	
7b	BA 1221 74	Shim	1	1	
9	39 0817 15	flange nut M6	2	2	
10	BA 1220 10	Nozzle holder assly	1	1	
10a	BB 1210 94	Nozzle holder assly (Bosch)	1	1	
11	BA 1220 11	Packing	1	1	
12	BA 1220 12	Seal heat	1	1	
13	BA 1220 13	Clamp (Nozzle)	1	1	
14	39 2264 05	Stud- M8	2	2	NS
15	39 1579 15	Hexagon nut	2	2	



No.	Part No.	Description	Qty. per Veh.		Remarks
			BH	BG	
16	BA 1221 59	Pipe -inject. Mico -fu. Inj. Pump	1	1	for BSIII
16a	BB 1210 93	Pipe injection (Bosch FIE)	1	1	
17	BA 1220 14	Pipe clamp assly	1	1	
18	39 1556 04	Flange bolt	1	1	
19	BB 1210 99	Joint -nozzle	1	1	

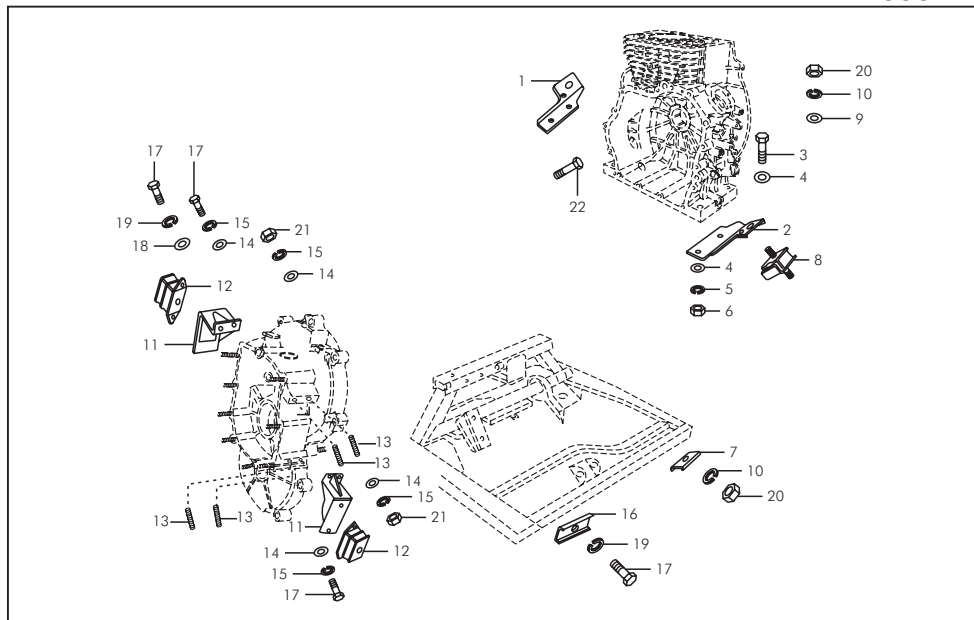


No.	Part No.	Description	Qty. per Veh.		Remarks
			BH	BG	
1	BA 1020 88	Oil Cooler	1	1	
2	BA 1022 22	Vibro - Isolating Rubber	4	4	
3	BA 1020 90	Collar - Vibro- Isolating Rubber	2	2	
4	39 1573 11	Plain washer	2	2	
5	39 1577 04	Hexagon bolt	2	2	
6	BA 1022 35	Tube -1 (Oil)	1	1	
7	BA 1021 56	Hose clip	4	4	
8	BA 1020 27	Joint oil tube	1	1	
9	BA 1222 06	Tube oil	1	1	Cooler to head
10	BA 1021 56	Clamp hose	4	4	
11	BA 1021 28	Ball	1	1	
12	BA 1020 85	Spring	1	1	
13	BA 1020 87	Packing	1	1	
14	BA 1020 86	Plug	1	1	
15	BA 1020 96	Cover oil cooler (ppcp)	1	1	

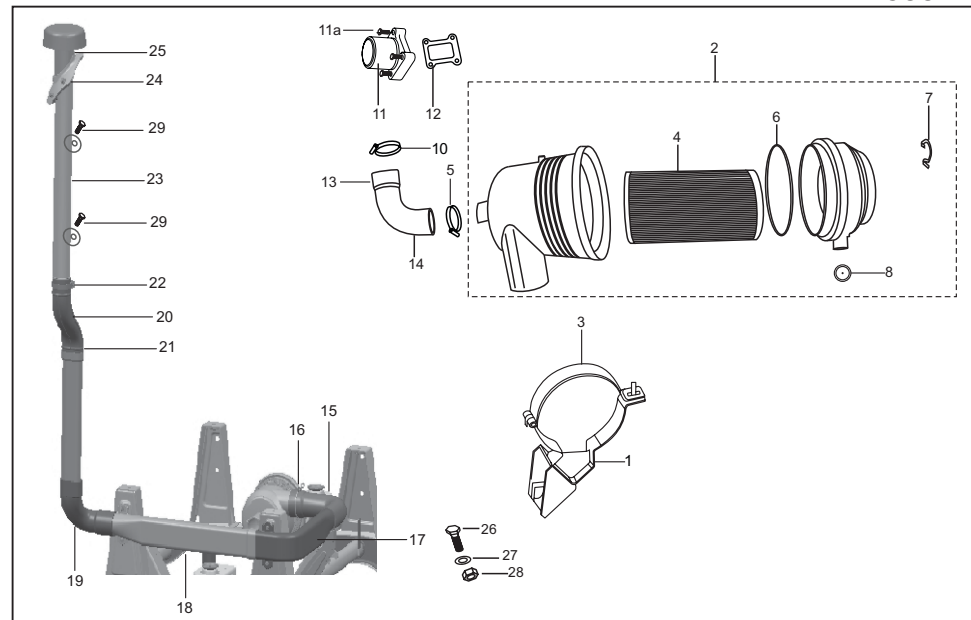


No.	Part No.	Description	Qty. per Veh.		Remarks
			BH	BG	
1	BG 1010 01	Engine bracket front	1	1	
1a	BH 1134 00	bracket engine mtg front rh	1	1	
2	BG 1134 02	Engine bracket rear	1	1	
2a	BG 1134 05	bracket engine mounting rear rh	1	1	
3	39 1396 04	Hex bolt	4	4	
4	39 0526 11	Plain washer	8	8	
5	39 1829 12	Spring washer	4	4	
6	39 0296 15	Hex nut	4	4	
7	BA 1610 30	Channel fixing Eng. mtg RR	2	2	
8	BA 1021 61	Rubber isolator	1	1	
8	Bh 1134 02	Rubber isolator front	1	1	from 04.07.2011
9	39 0526 11	Washer	1	1	
10	39 1827 12	Spring washer	4	4	
11	BG 1134 03	Bracket transmission mtg	2	2	
12	AL 1010 20	Rubber isolator (GB)	1	1	
13	39 1423 05	Stud- M8	6	6	
14	39 0198 11	Plain washer	8	8	
15	39 1827 12	Spring washer	8	8	

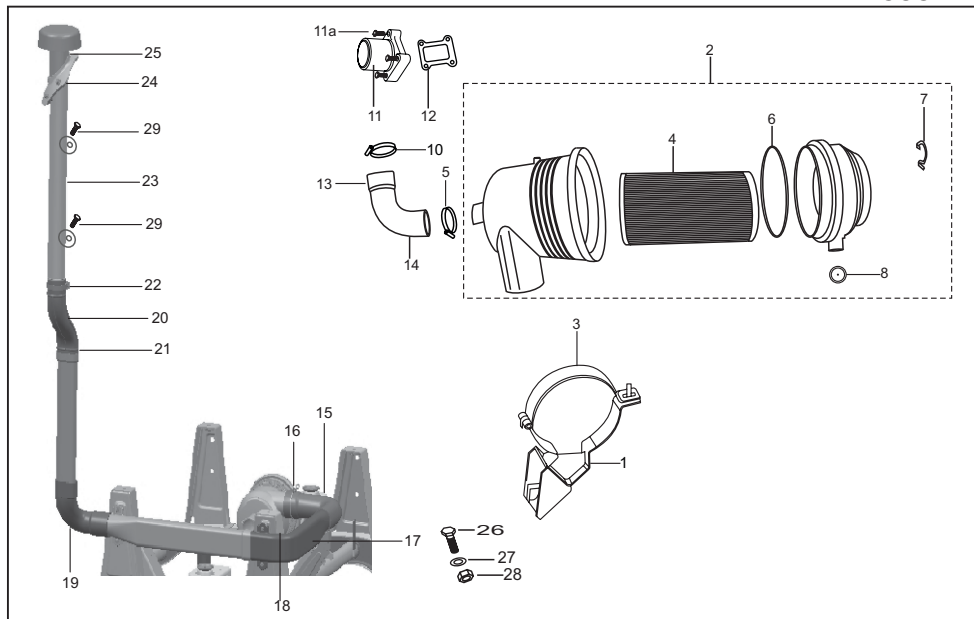




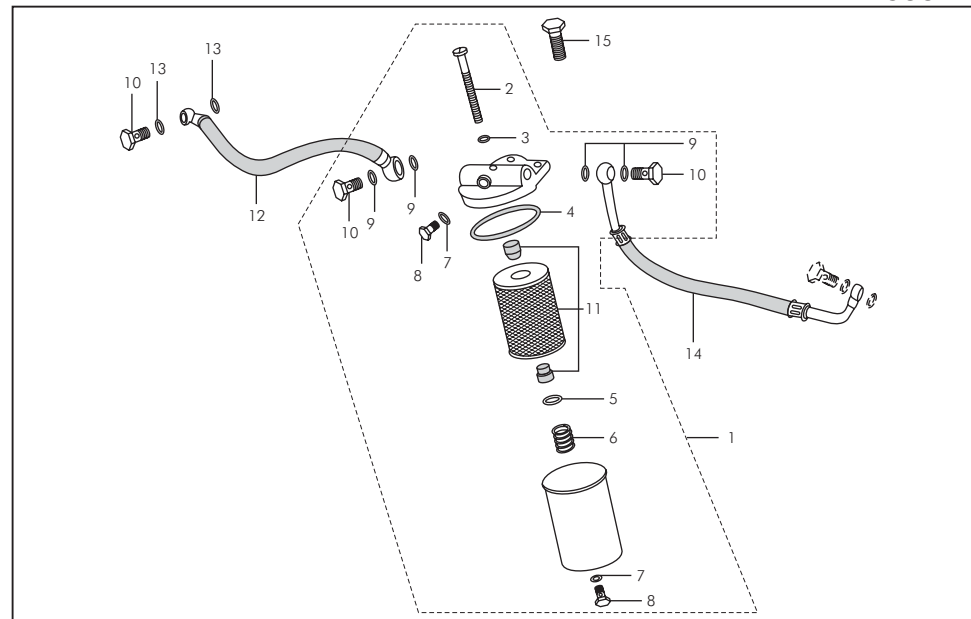
No.	Part No.	Description	Qty. per Veh.		Remarks
			BH	BG	
16	BA 1610 31	Channel fixing G.B. mtg RR	1	1	NS
17	39 0874 04	Bolt	2	2	
18	39 1180 11	Plain washer	1	1	
19	39 1828 12	Spring washer	2	2	
20	39 0467 15	Nut	4	4	
21	39 0834 15	Hexagonal nut	6	6	



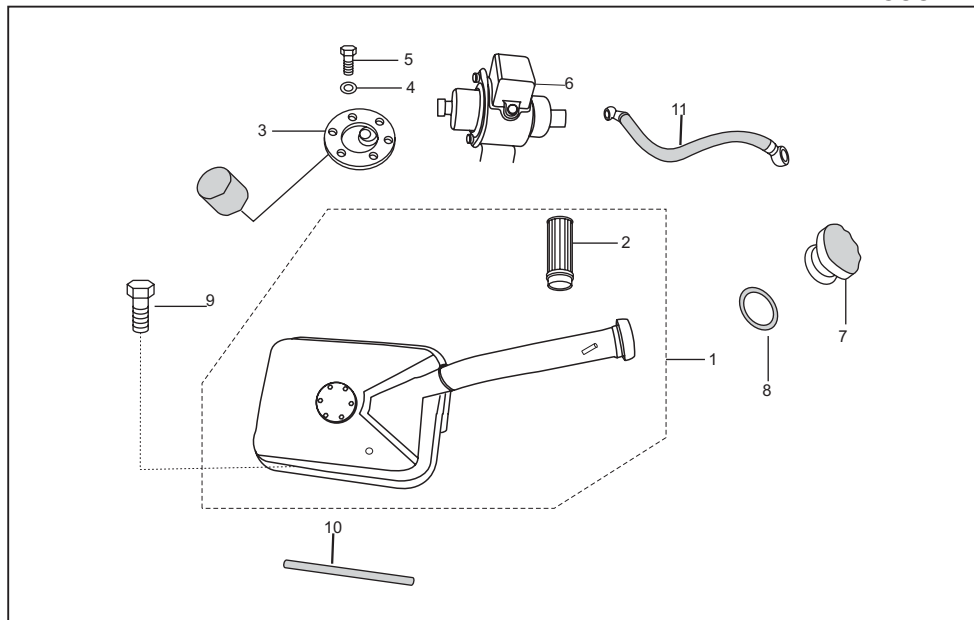
No.	Part No.	Description	Qty. per Veh.		Remarks
			BH	BG	
1	BG 5810 00	Bracket isolator Air cleaner	1	1	
2	AL 1210 60	Air filter assly.	1	1	
3	BG 5810 06	Clamp air cleaner	1	1	
4	AL 1210 62	Element Air Filter	1	1	
5	AP 1210 64	Clamp hose	2	2	
6	AL 1210 68	Seal ring flat	1	1	
7	AL 1210 69	Clamp flat	2	2	
8	BB 1210 29	Flap air intake	1	1	
9	39 1912 04	Bolt flange	2	2	
10	BB 1210 42	Clip	1	1	
11	AL 1210 11	Inlet manifold	1	1	
11a	39 1548 04	Manifold bolt	4	4	
12	BA 1220 64	Gasket	1	1	
13	BG 5814 06	Tube intake manifold	1	1	
14	BA 1220 62	Pipe band	1	1	
15	BH 5810 03	Rubber Elbow - Filter	1	1	



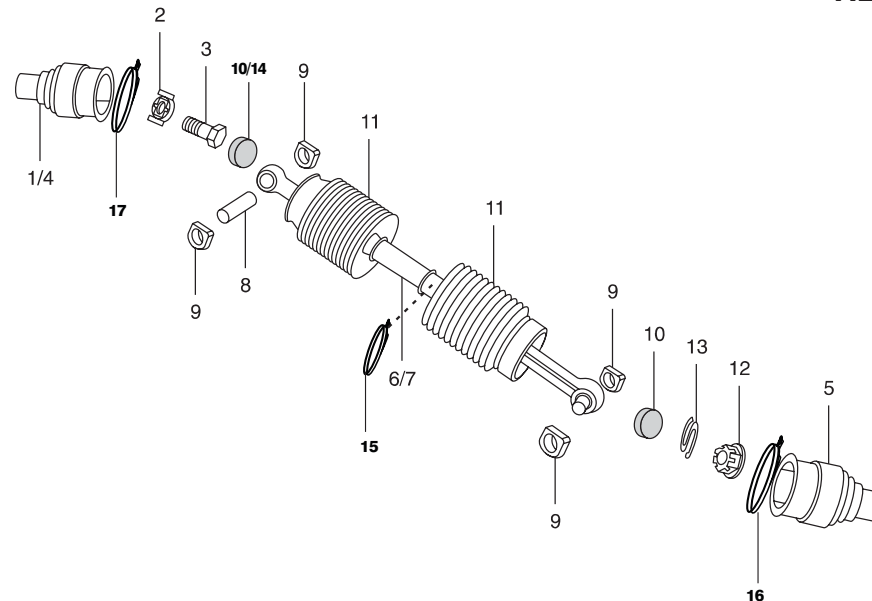
No.	Part No.	Description	Qty. per Veh.		Remarks
			BH	BG	
16	BB 1210 42	Clip air intake	1	1	
17	BH 5810 00	Assembly air intake	1	1	(pipe1-BH581001+ Pipe2-BH581002)
18	BG 5814 04	Rubber Damper	6	6	
19	BH 5810 12	Rubber elbow chassis	1	1	
20	BH 5810 05	Elbow rubber	1	1	
21	BH 5810 10	Clip	1	1	
22	BH 5810 08	Clip	1	1	
23	BH 5810 04	Pipe air intake	1	1	
24	BH 5810 07	Rubber packing	1	1	
25	BH 5810 06	Duct air intake	1	1	
26	39 0739 04	Flange bolt	4	4	NS
27	BH 2110 64	Nylon Washer	8	8	NS
28	39 0817 15	Hex Nut	4	4	
29	39 1912 04	Bolt	2	2	



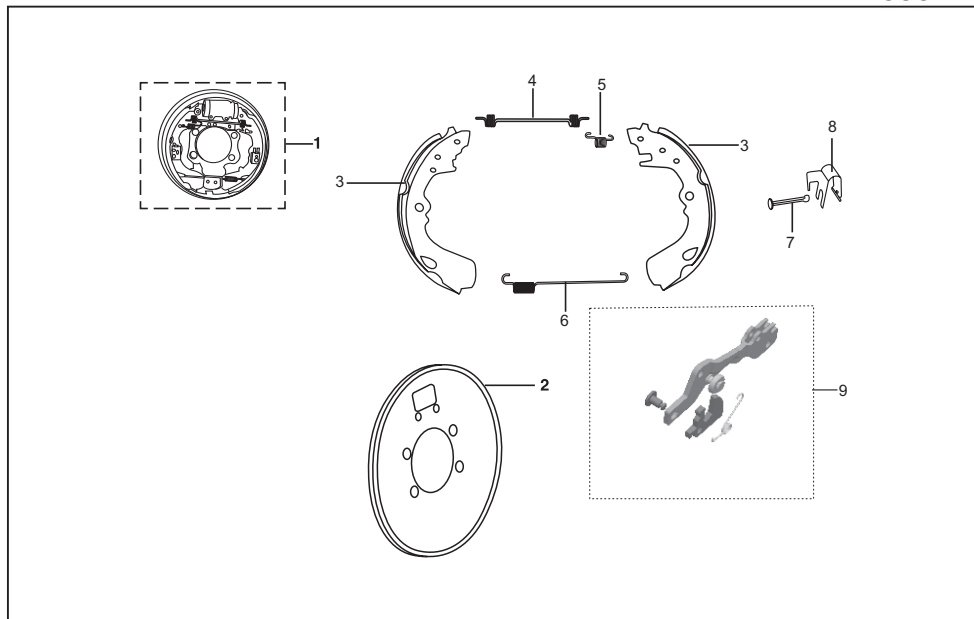
No.	Part No.	Description	Qty. per Veh.		Remarks
			BH	BG	
1	BB 1210 43	Fuel filter (0.5 lit.) assly.	1	1	
1a	52 BG00 03	assembly-fuel filter-re cargo	1	1	
2	BB 1210 49	Centre bolt	1	1	
3	BA 1221 35	Washer	1	1	
4	BB 1210 47	Sealing ring	1	1	NS
5	BB 1210 48	Washer	1	1	
6	BA 1221 40	Spring	1	1	
7	BA 1221 41	Washer	1	1	
8	BA 1221 42	Air vent screw	1	1	
9	BA 1221 43	Copper washer	4	4	
10	BA 1410 17	Banjo bolt	2	2	
11	BB 1210 50	Fuel filter element	1	1	
12	BB 1410 24	Pipe Assly - tank to filter	1	1	
13	BA 1221 43	Sealing washer	2	2	
14	BG 1718 02	Pipe assy fuel- filter to pump	1	1	
15	39 1681 04	Bolt flange- M8	2	2	
16	33 1410 08	clamp :p.cok out+f.filtr in,out+carbu. In	2		NI
17	33 1410 07	clamp for hypalon pipes:tank out+cock	3		NI



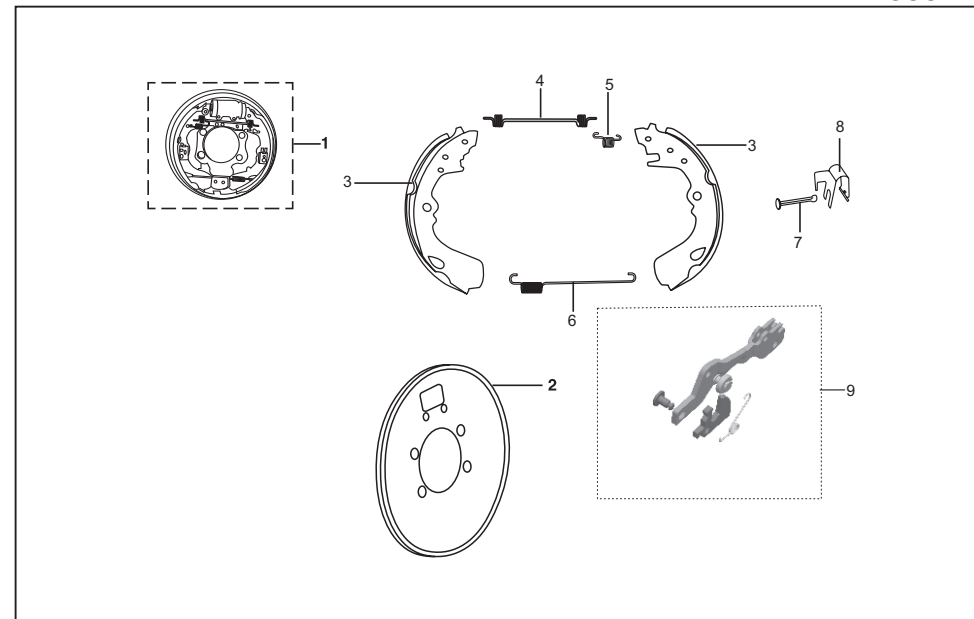
No.	Part No.	Description	Qty. per Veh.		Remarks
			BH	BG	
1	BG 1710 06	Fuel tank complete	1	--	from-26.07.2011
1a	BG 1710 01	Fuel tank complete	--	1	
2	BA 1410 13	Fuel stainer	1	1	
3	BG 4026 06	Switch float	1	1	
3a	BH 4026 00	Switch float-Tank unit	1	--	
4	03 1902 04	Plain washer	6	6	
5	01 1605 09	Hex bolt	6	6	
5	39 0590 15	nut - hexagon weld :- m5 x 0.8	6	6	
6	AL 2010 34	Fuel pump	1	1	
7	BH 1716 00	Cap assly	1	-	
7a	BA 1410 19	cap assembly - fuel tank	-	1	
8	15 1410 07	'O' ring	1	--	
9	39 1557 04	Bolt flange	4	4	
10	BG 1718 00	Fuel overflow pipe (tank)	1	1	
11	BG 1718 03	Pipe assy fuel-pump to engine	1	1	
11a	BB 1410 38	Pipe assembly : feed pump to injector	1		



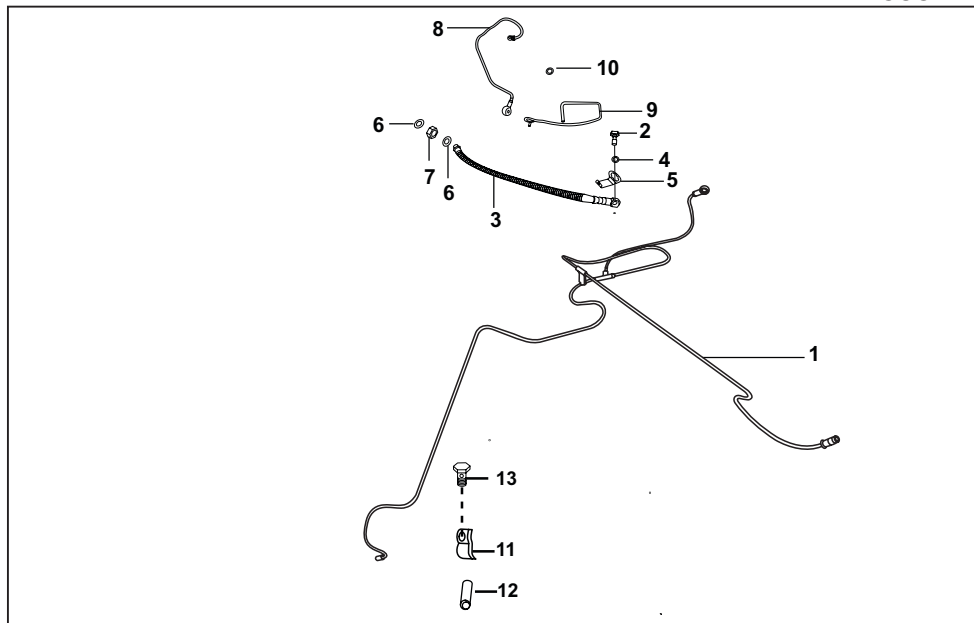
No.	Part No.	Description	Qty. per Veh.		Remarks
			BH	BG	
1	AY1412 00	Flange sg. Hsg. Side	1	1	
2	24 1710 14	Lock washer assembly	2	2	
3	39 0119 04	Bolt	2	2	
4	AY 1412 01	Flange diff. Gear side	1	1	
5	AY 1412 02	Flange wheel side	2	2	
6	BG 1412 43	Assembly shaft propeller-rh	1	1	
7	BG 1412 46	Assembly shaft propeller-lh	1	1	
8	24 1704 25	Pin for propeller shaft	4	4	
9	AL1710 65	Slider block	8	8	
10	BG 1412 52	Rubber bufferA-Flange gear side	2	2	solid
10a	BG 1412 53	Rubber bufferB-Flange wheel side	2	2	buffer with hole
11	24 1310 74	Rubber bellow-wheel side	2	2	
11a	BG 1412 54	Rubber bellow-diff side	2	2	
12	39 1182 15	Nut	2	2	
13	BG 1412 39	Spring clip	2	2	
14	BB 1310 24	Clamp-2	2	2	
15	BB 1310 40	Hose clamp	2	2	
16	BG 1412 33	Clamp - 3	4	4	
17	23 1613 05	Grease nipple	2	2	on flange wheel side



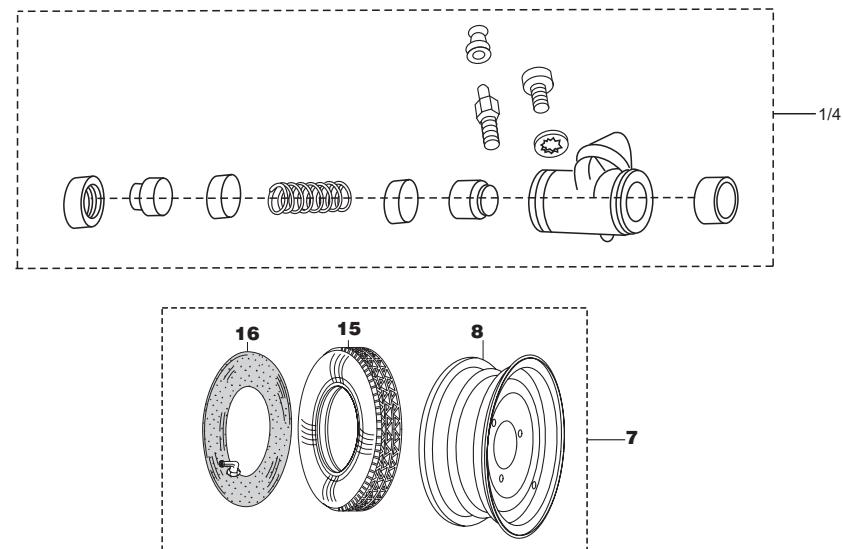
No.	Part No.	Description	Qty. per Veh.		Remarks
			BH	BG	
1	AP 1510 15	Panel assembly front brake	1	1	
1a	24 1511 19	Panel assly LH	1	1	
1b	24 1511 20	Panel assly RH	1	1	
2	AP 1510 17	Back panel assly front	1	1	
2a	24 1511 74	Back plate assly. LH	1	1	
2b	24 1511 78	Back Plate assly. RH	1	1	
3	24 1511 36	Brake shoe assly.	3	3	NS alt kit-
4	24 1511 33	Spring main	3	3	
5	24 1511 34	Spring strut LH holding	3	3	
6	24 1511 35	Spring shoe holding	3	3	
7	24 1511 37	Pin pivot shoe	6	6	
8	24 1511 38	Spring shoe clamping	6	6	
9	24 1511 69	Strut assembly front Complete	1	1	Include fig. 4,5,6,7 & 13
9a	24 1511 76	Strut assembly LH Complete	1	1	Include fig. 4,5,6,7 & 13
9b	24 1511 80	Strut assembly RH Complete	1	1	Include fig. 4,5,6,7 & 13
10	24 1511 70	Ratchet kit (Fr. & LH)	1	1	Include fig. 4,7 & 13
10a	24 1511 81	Ratchet kit (RH)	1	1	Include fig. 4,7 & 13



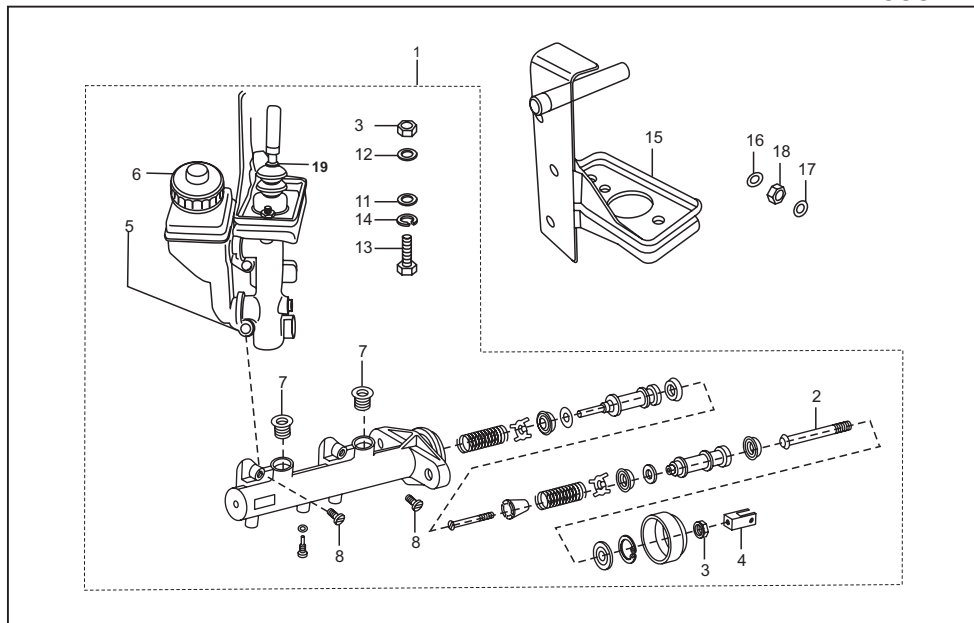
No.	Part No.	Description	Qty. per Veh.		Remarks
			BH	BG	
11	24 1511 71	Brake shoe kit	1	1	Include fig. 3,11 & 12
12	24 1511 72	Shoe clamp spring kit	1	1	Include fig. 11& 12
13	24 1511 73	Spring kit (Common for Front & LH)	1	1	Include fig. 8,9 & 10
13a	24 1511 82	Spring Kit RH	1	1	Include fig. 8,9 & 10
14	24 1511 68	Auto Adjuster assly front	1	1	Include fig. 5 & 6
14a	24 1511 75	Auto adjuster assly rear LH	1	1	Include fig. 5 & 6
14b	24 1511 79	Auto adjuster assly rear RH	1	1	Include fig. 5 & 6



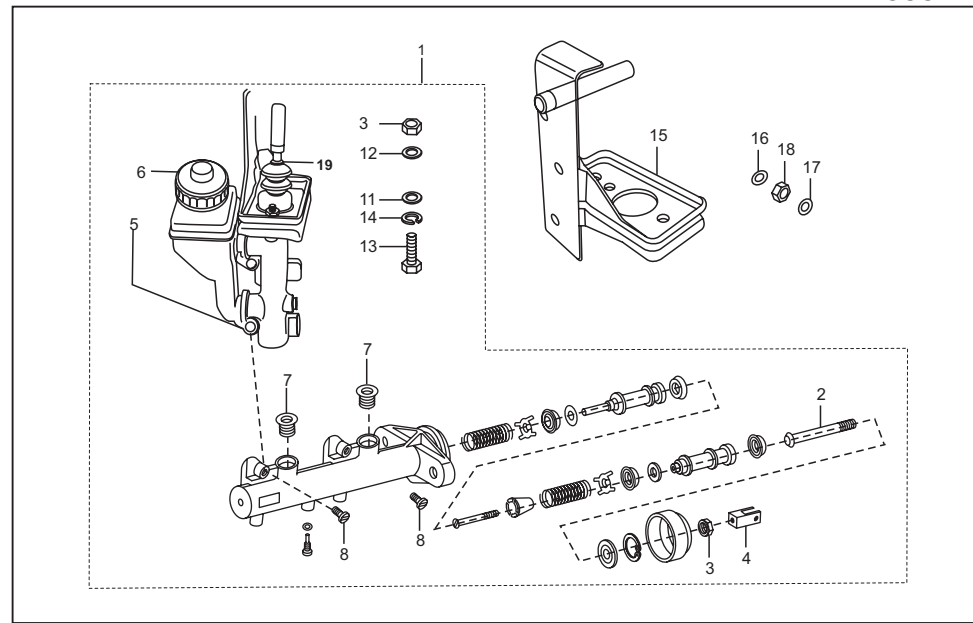
No.	Part No.	Description	Qty. per Veh.		Remarks
			BH	BG	
1	52 BG00 18	Single piece brake pipe	1	1	
2	AB 1510 49	Banjo bolt	1	1	
3	AL 1511 86	Flexible brake front	1	1	
4	39 1663 11	Plain washer	1	1	
5	AB 1510 51	Lock clip banjo bolt	1	1	
6	39 1663 11	Plain washer	2	2	
7	39 1753 15	Hexagon nut	1	1	
8	AB 1510 52	Brake pipe assly front	1	1	
9	DD 1610 13	Guide flexible hose	1	1	
10	21 1504 22	Packing	2	2	
11	BG 1138 04	Clamp for sleeve	2	2	
12	24 1504 06	Sleeve	2	2	
12a	24 1504 07	Sleeve for brake pipe	2	2	
13	22 1504 35	Hex bolt	2	2	
14	BG 1318 06	Hose assy brake - TMC to br pipe	1	1	NI
14a	AL 1511 87	Clamp brake hose	1	-	metal mud



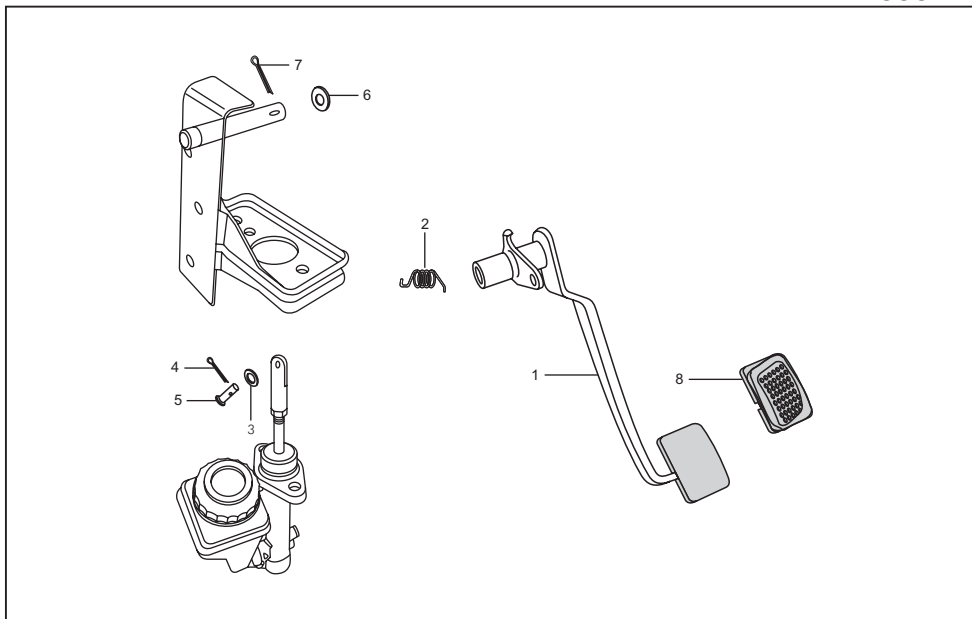
No.	Part No.	Description	Qty. per Veh.		Remarks
			BH	BG	
1	24 1511 63	Wheel Cylinder Front	1	1	
2	24 1511 07	Major kit	1	1	N.I
3	24 1511 08	Minor kit	1	1	N.I
4	24 1511 64	Wheel cylinder rear	1	1	
5	24 1511 13	Major kit	1	1	N.I.
6	24 1511 14	Minor kit	1	1	N.I.
7	BG 1310 03	Wheel assly complete	3	3	NS
8	24 1511 10	Wheel rim assly	3	3	
9	22 1511 05	Tyre :- 4.00 X 8 - 6 PLY	3	3	
10	LA A000 12	Bolt M8X1.25 (Rim)	8	8	
11	39 0956 15	Nut - hexagon rim :- M8 X 1.25	8	8	



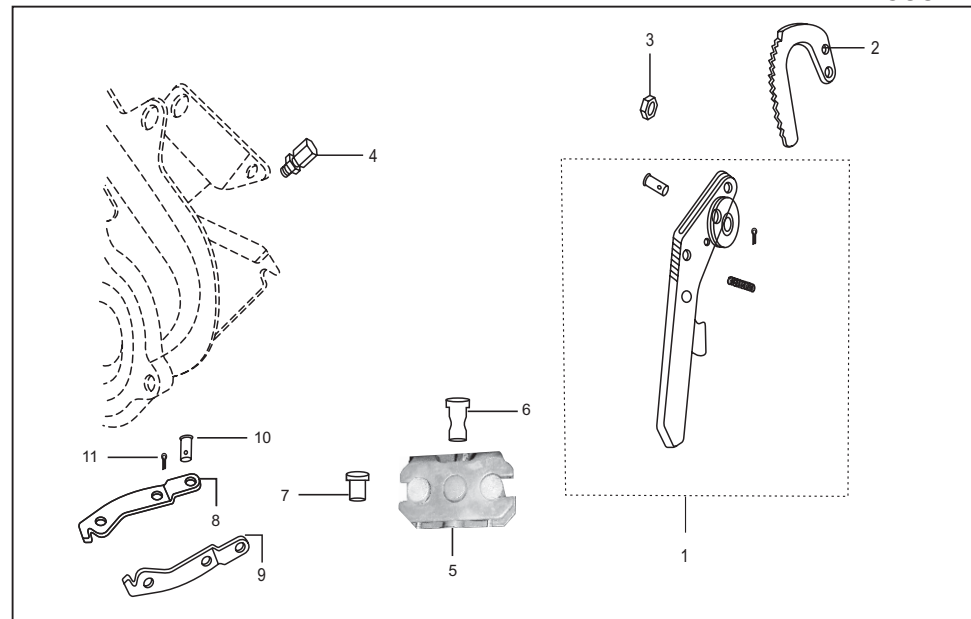
No.	Part No.	Description	Qty. per Veh.		Remarks
			BH	BG	
1	AL 1511 71	Cylinder comp.-tandem master+oil container	1	1	(kbx-AB151063)
2	24 1510 87	Push rod complete	1	1	
3	24 1510 94	Hex. nut	1	1	
4	24 1510 90	Fork rod push	1	1	
5	AB 1510 54	Oil container with cap	1	1	
6	AB 1510 72	Cap - oil reservoir	1	1	
7	24 1510 92	Seal-oil supply port	2	2	
8	24 1510 93	Screw reservoir mtg.	2	2	
9	24 1510 97	Major kit	1	1	N.I.
10	24 1510 98	Minor Kit	1	1	N.I.
11	39 1224 11	Plain washer	2	2	
12	39 1582 11	Plain Washer	2	2	NS
13	39 1389 04	Hex bolt	2	2	
14	39 0788 12	Spring washer	2	2	
15	BA 1611 34	Bracket master cyl. mtg.	1	1	
15	AL 1613 44	Bracket assembly: brake pedal mounting.---			



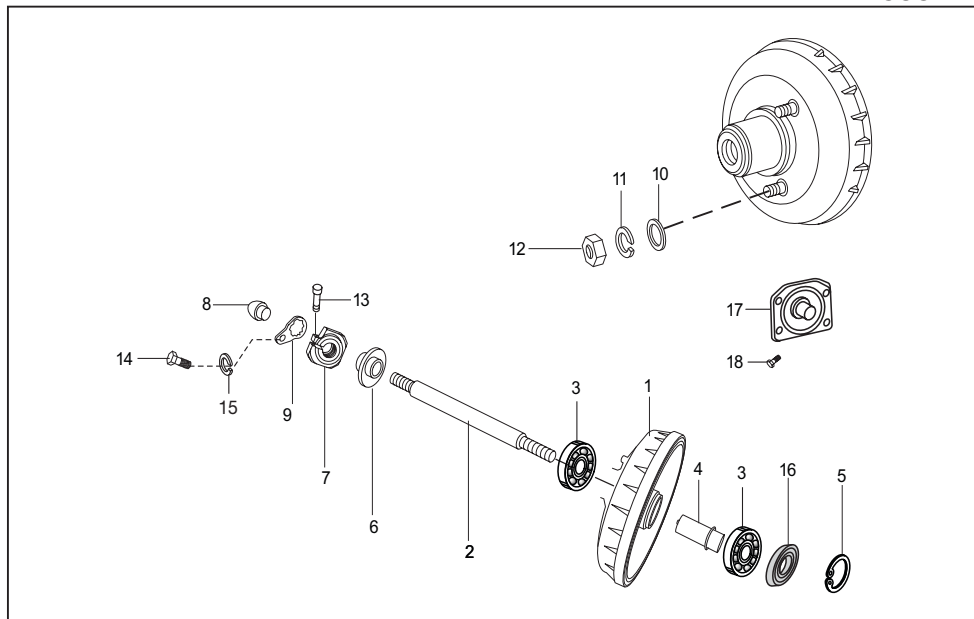
No.	Part No.	Description	Qty. per Veh.		Remarks
			BH	BG	
16	39 0200 11	Plain Washer	3	3	
17	39 0265 12	Plain washer	3	3	
18	39 2479 15	nut - flange :- m8	3	3	
19	24 1510 79	Boot ring	1	1	



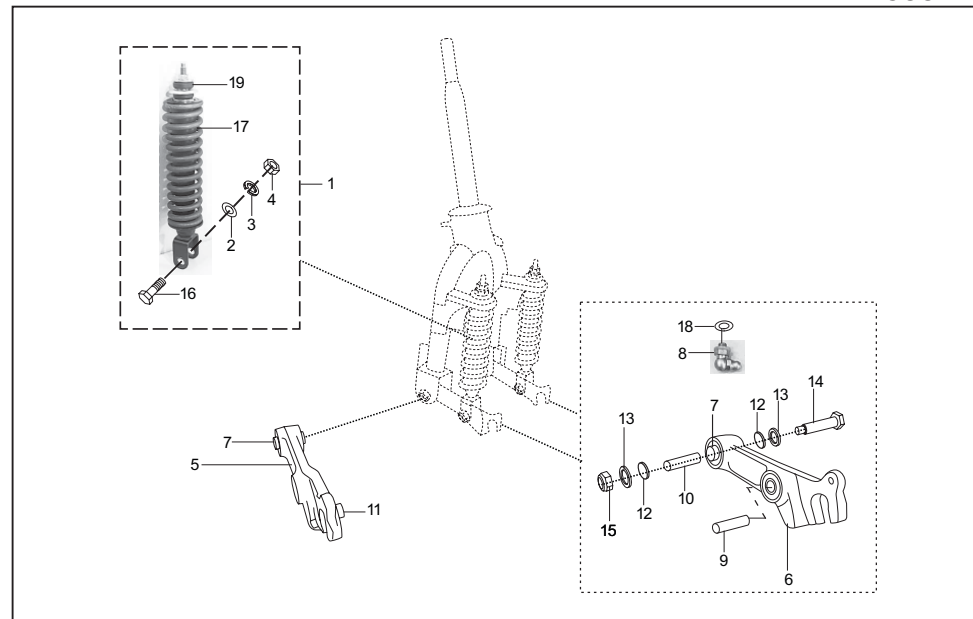
No.	Part No.	Description	Qty. per Veh.		Remarks
			BH	BG	
1	AB 1511 26	Brake pedal assembly	1	1	
2	AB 1510 14	Spring brake pedal retainer	1	1	
3	39 0208 11	Plain washer	2	2	
4	39 0147 08	Split pin	1	1	
5	39 1702 07	Clevis pin with head	1	1	
6	39 0199 11	Plain washer	1	1	
7	39 0799 08	Split pin	1	1	
8	BA 1910 29	Pad Brake pedal	1	1	



No.	Part No.	Description	Qty. per Veh.		Remarks
			BH	BG	
1	24 1510 61	Lever assly- handbrake control	1	1	
2	22 1505 07	Ratchet	1	1	
3	39 0694 15	Nut	1	1	
4	05 1510 12	Adjuster with nut	2	2	
5	24 1510 67	Bracket rear cable guide	1	1	
6	24 1510 68	Pin rear cable guide	1	1	
7	24 1510 69	Spacer	1	1	
8	24 1511 45	Lever LH -parking brake	1	1	
9	24 1511 54	Lever RH- parking brake	1	1	
10	24 1511 46	Pivot Pin	1	1	
11	24 1511 47	Split pin	1	1	

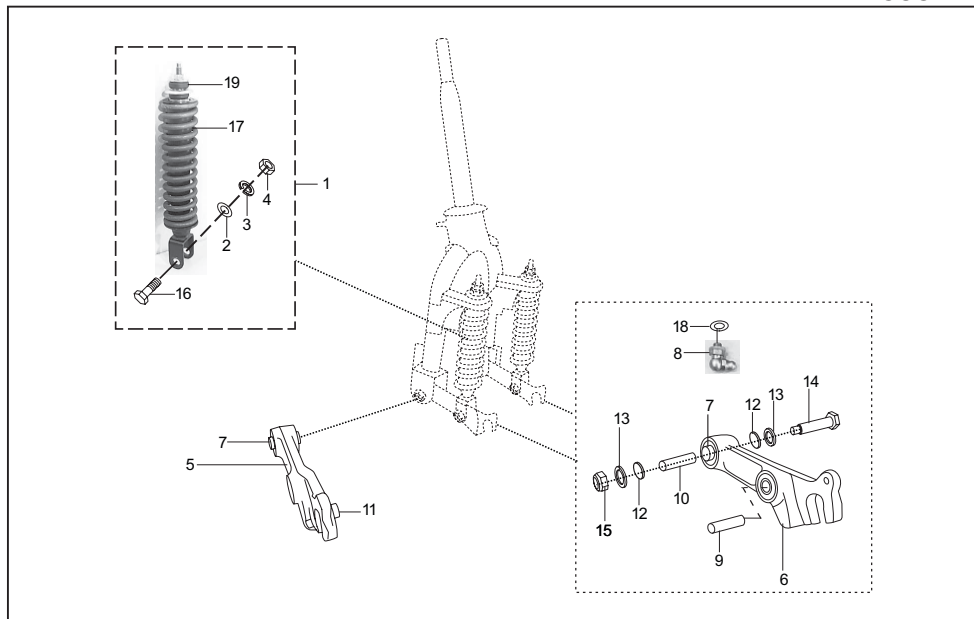


No.	Part No.	Description	Qty. per Veh.		Remarks
			BH	BG	
1	AP 1510 19	Fr. Brake Drum with stud	1	1	With oil seal arrangement
2	AP 1510 02	Front Wheel Axle	1	1	
3	39 2240 20	Ball Bearing	2	2	
4	AP 1510 25	Distance piece assly	1	1	
5	39 2464 17	Circlip	1	1	
6	AP 1510 26	Spacer assly.	1	1	
7	AL 1510 89	Special Nut-M16	2	2	
8	AL 1510 11	Collar Nut	2	2	
9	AL 1510 12	Locking Clip	2	2	
10	39 11 80 11	Plain washer	4	4	
11	39 1829 12	Spring washer	4	4	
12	39 0312 15	Hex nut.	4	4	
13	39 2038 04	Hex socket head bolt	2	2	For locking clip
14	39 1079 01	Hex head screw	2	2	For locking clip
15	39 0263 12	Spring washer	2	2	
16	39 1737 19	Oil Seal	2	2	
17	AP 1510 22	Flange Back Plate	1	1	
18	39 2534 04	Bolt Flange M8	4	4	

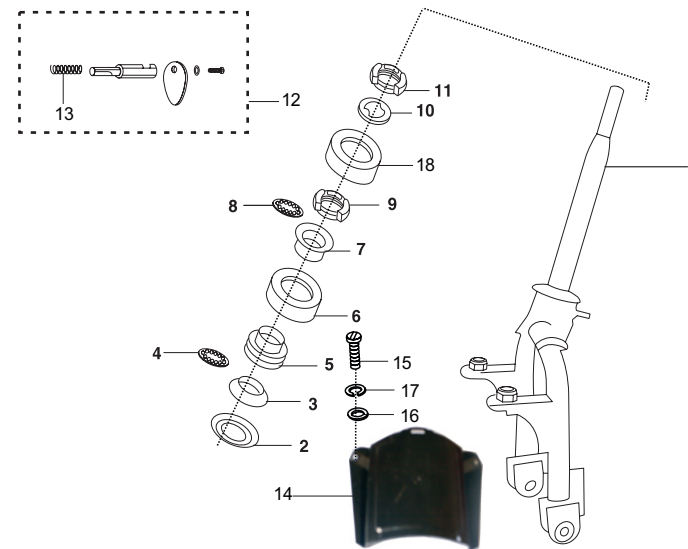


No.	Part No.	Description	Qty. per Veh.		Remarks
			BH	BG	
1	AL 1710 47	Front shock absorber	2	2	
2	39 1054 11	Plain washer	2	2	
3	39 0789 12	Spring washer	2	2	
4	39 0296 15	Hexagon Nut	2	2	
5	AL 1710 93	Link-RH Assembly	1	1	
6	AL 1710 91	Link-LH Assembly	1	1	
7	AL 1710 95	Bearing sleeve	2	2	Igus bush-NS
7a	AL 1710 48	Bearing sleeve	2	2	
8	35 1710 33	Grease nipple	2	2	For old link assly
9	AB 1710 16	Bush	2	2	
10	AL 1710 81	Bush link pivot	2	2	Igus bush
10a	AL 1710 49	Bush link pivot	2	2	For old link assly
11	AL 1710 58	Locking Pin	2	2	
12	39 1564 21	"O" Ring	4	4	Igus bush
12a	39 1271 21	"O" Ring	4	4	For old link assly
13	AL 1711 04	Cap Link pivot	4	4	Igus bush
13a	AL 1711 50	Cap Link pivot	4	4	For old link assly
14	AL 1710 51	Bolt For Link pivot	2	2	LH & RH
15	39 0939 15	Hex nyloc nut	2	2	Link LH & RH

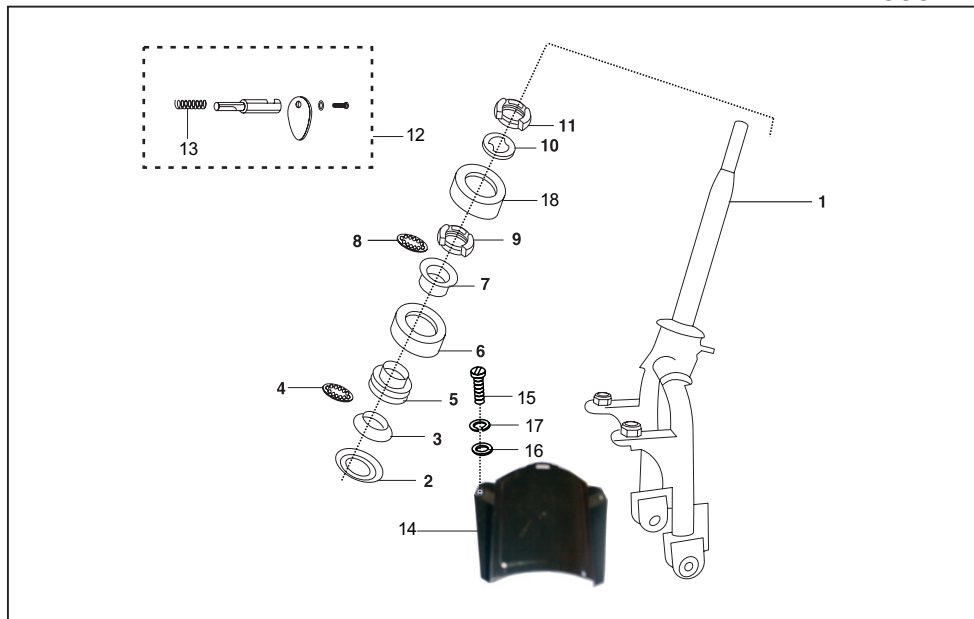




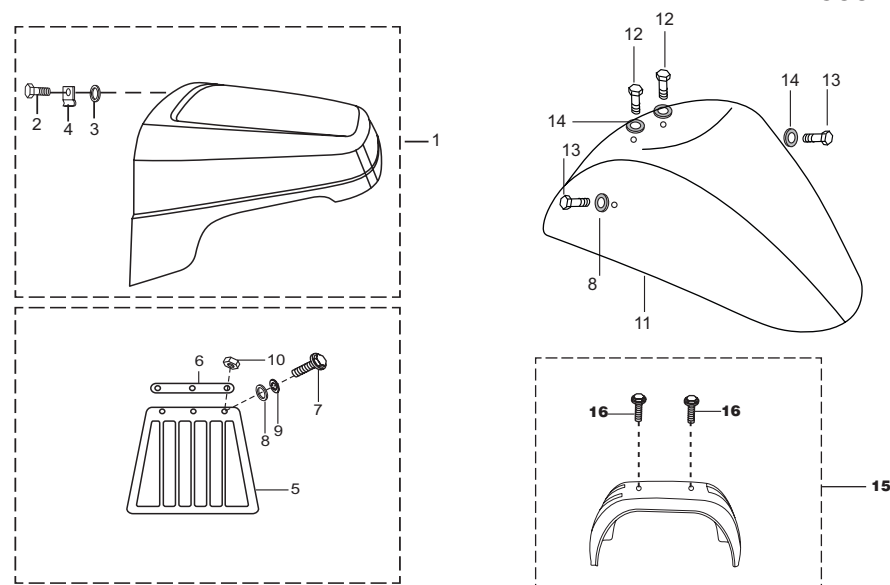
No.	Part No.	Description	Qty. per Veh.		Remarks
			BH	BG	
16	39 2516 04	Shoulder bolt	2	2	For shock absorber
17	AP 1710 01	Spring Fr. suspension	2	2	
18	39 0740 11	Washer (Non metallic )	2	2	For Grease nipple
19	AL 1710 67	Rubber Bush	2	2	



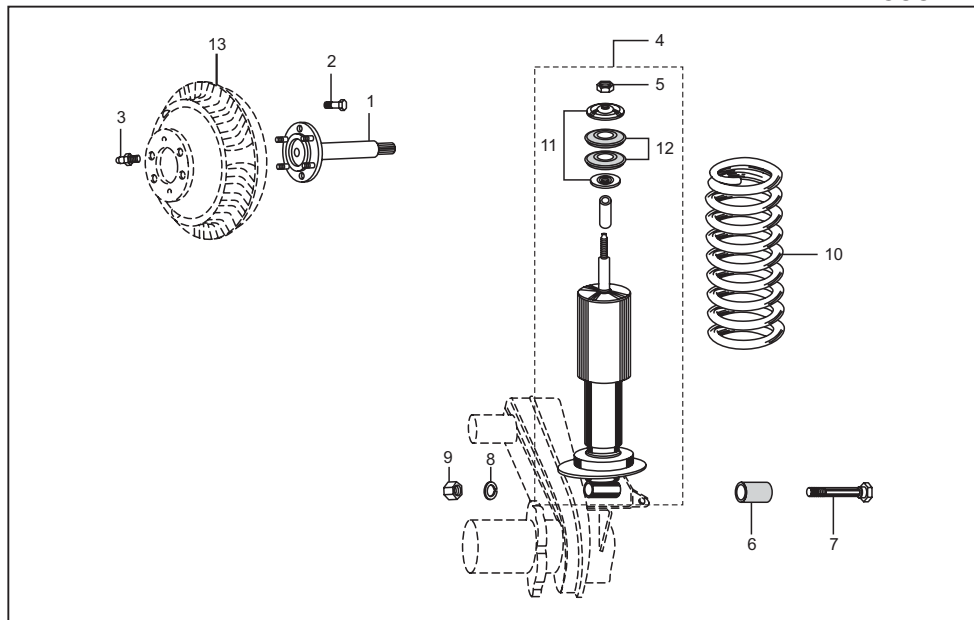
No.	Part No.	Description	Qty. per Veh.		Remarks
			BH	BG	
1	AP 1810 16	Fork assembly	1	--	Aug.11
1a	AP 1810 17	Fork assembly	--	1	
2	24 1810 34	Dust cover bottom	1	1	
2a	AA 1810 23	Cover dust lower for AP181017	1	1	Aug.11
3	AB 1810 11	Bearing race lower inner	1	1	
3	AA 1810 22	bearing race lower for Ap181017	1	1	Aug.11
4	AB 1810 12	Balls with cage	1	1	
5	AB 1810 33	Bearing race lower outer	1	1	
6	24 1810 33	Dust cover top	1	1	
7	24 1810 46	Bearing race upper inner	1	1	
8	AB 1810 17	Steel ball with cage upper	1	1	
9	AB 1810 19	Bearing race upper outer	1	1	
10	AB 1810 20	Spacer washer bearing	1	1	
11	24 1810 47	Lock ring upper race	2	2	
12	24 1810 32	Steering lock With key	1	1	
13	06 1803 03	Spring	1	1	
14	AL 1810 12	Mud flap	1	1	
14a	AP 1810 13	Assembly mudflap front for Ap181017	1	1	
15	39 0071 04	Screw	2	1	



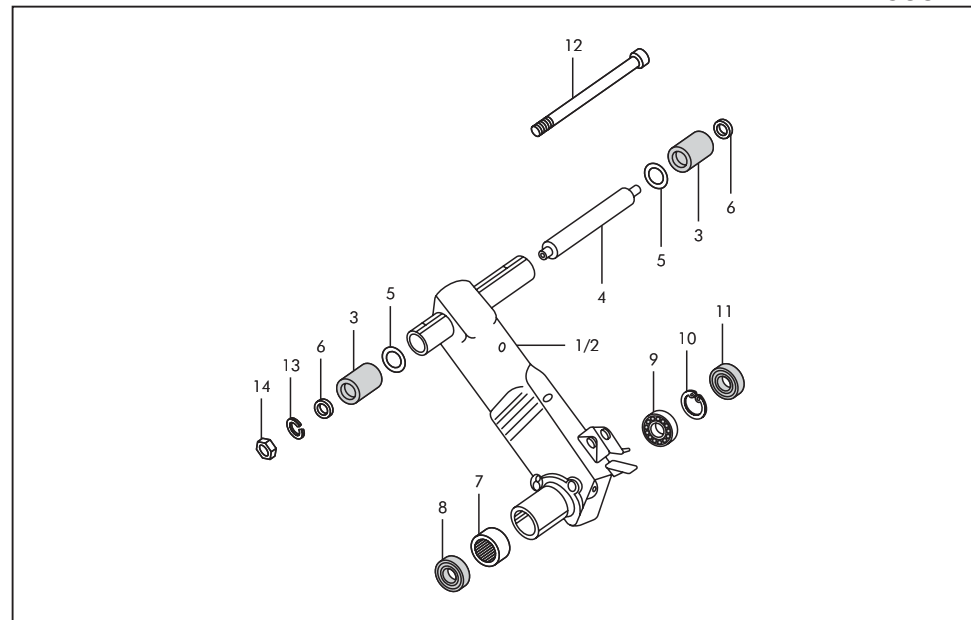
No.	Part No.	Description	Qty. per Veh.		Remarks
			BH	BG	
16	39 1765 11	Plain washer	2	2	
17	39 1830 12	Spring washer	2	2	
18	24 1614 43	Dust Cover	1	1	



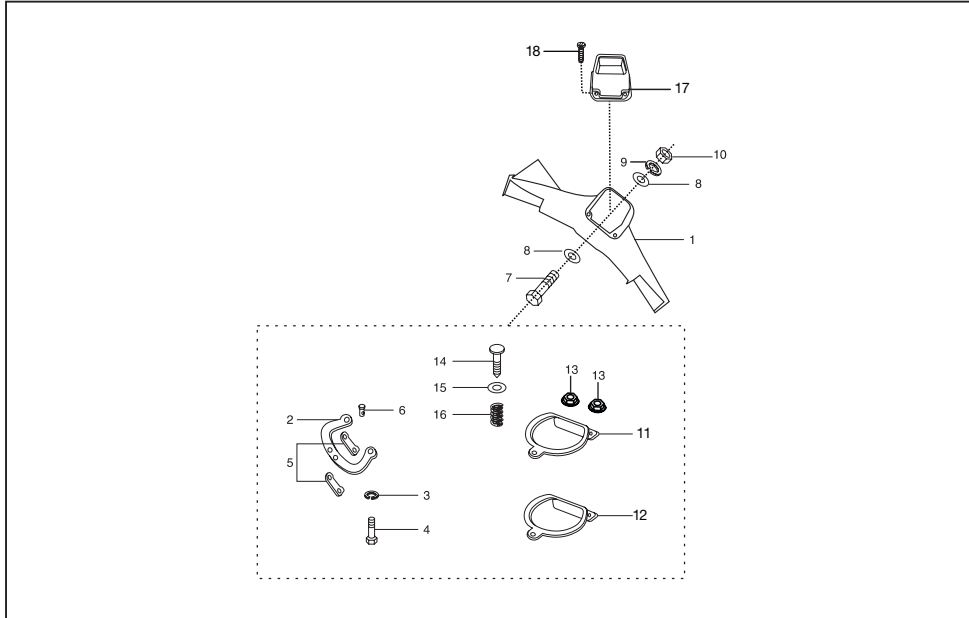
No.	Part No.	Description	Qty. per Veh.		Remarks
			BH	BG	
1	AP 1610 38	Front Mudguard	1	1	
2	39 1552 04	Bolt - Flange :- M6	6	6	
3	39 0219 11	Plain Washer	6	6	
4	05 1612 56	Clip Nut-M6	6	6	
5	AL 1612 26	Mudguard flap	1	1	
5a	24 2301 85	Mudguard flap	1	--	
6	AL 1612 29	Strip	2	2	
7	39 0071 04	Screw	3	3	
8	39 1765 11	Washer plain	3	3	
9	39 1830 12	Washer spring	3	3	
10	39 0291 15	Nut flange	3	3	
11	AP 2201 00	mudguard sheet metal	1	1	
12	39 1955 04	Bolt - flanged :- small	2	-	
13	39 1944 04	Bolt - flanged	2	-	
14	39 1211 11	Washer - plain	4	-	
15	BG 2312 01	Rear Mudguard	-	2	
16	39 1680 04	Bolt mud mounting	-	8	



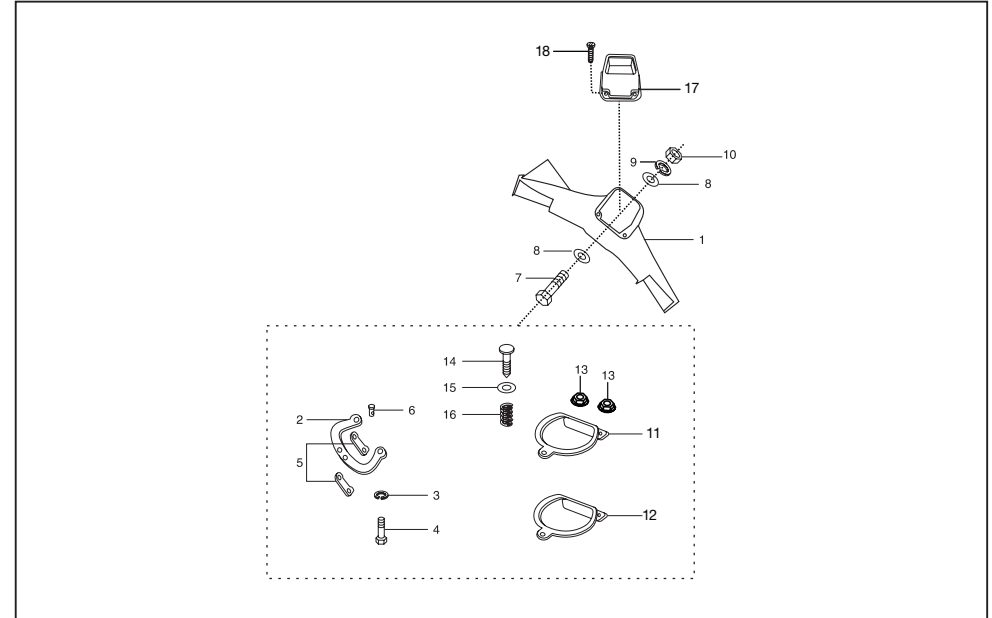
No.	Part No.	Description	Qty. per Veh.		Remarks
			BH	BG	
1	24 1711 18	Rear wheel axle	2	2	From June.04
2	22 1704 34	Bolt for axle	4	4	
3	24 1710 75	Grease nipple	2	2	
4	BA 1710 09	Rear shock absorber assembly	2	2	
5	39 1336 15	Hex nut	2	2	
6	BA 1710 07	Rubber Bush with sleeve	2	2	NS
7	24 1705 07	Bolt	2	2	
8	39 1827 12	Spring washer	2	2	
9	39 0467 15	Nut	2	2	
10	BG 1220 00	Rear suspension spring	2	2	
11	BA 1710 08	Cup washer top side	4	4	
12	24 1710 49	Locating Cup rubber bush	4	4	
13	22 1511 06	Brake drum rear	2	2	



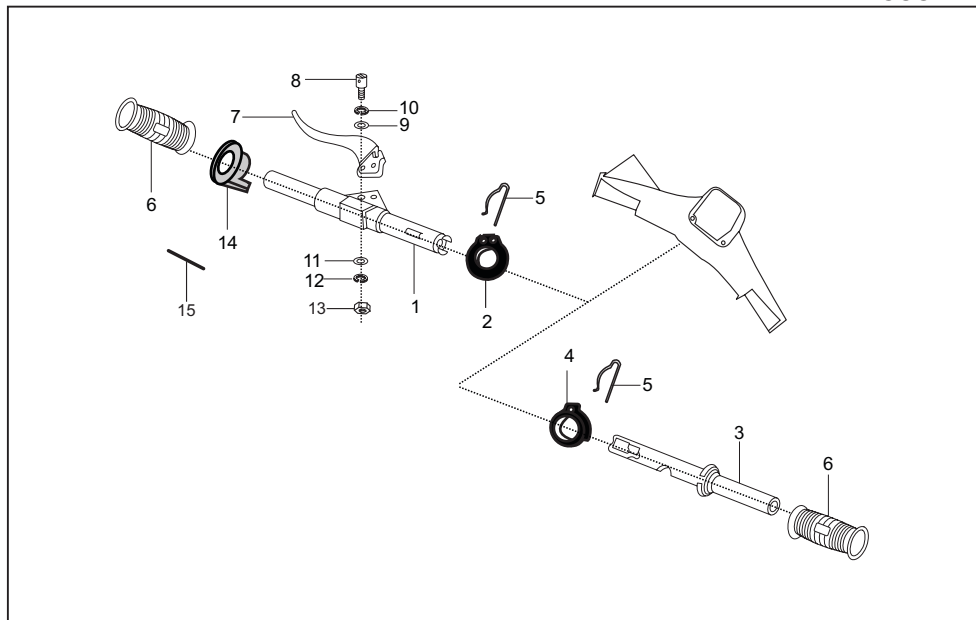
No.	Part No.	Description	Qty. per Veh.		Remarks
			BH	BG	
1	AH 1710 03	Trailing arm Assly LH	1	1	
2	AH 1710 09	Trailing arm assembly RH	1	1	
3	AA 1710 06	Silent bush	4	4	
4	AA 1710 07	Distance piece assly	2	2	
5	AA 1710 09	Spacer ring-dist.piece	4	4	
6	01 1003 23	Washer	4	4	
7	59 2000 12	Needle bearing	2	2	
8	22 1710 07	Oil seal	2	2	
9	01 1003 42	Bearing	2	2	
10	39 0342 17	Circlip	2	2	
11	24 1710 24	Oil seal	2	2	
12	AA 1710 11	Pivot pin assembly	2	2	
13	39 0269 12	Spring washer	2	2	
14	39 0303 15	Nut	2	2	



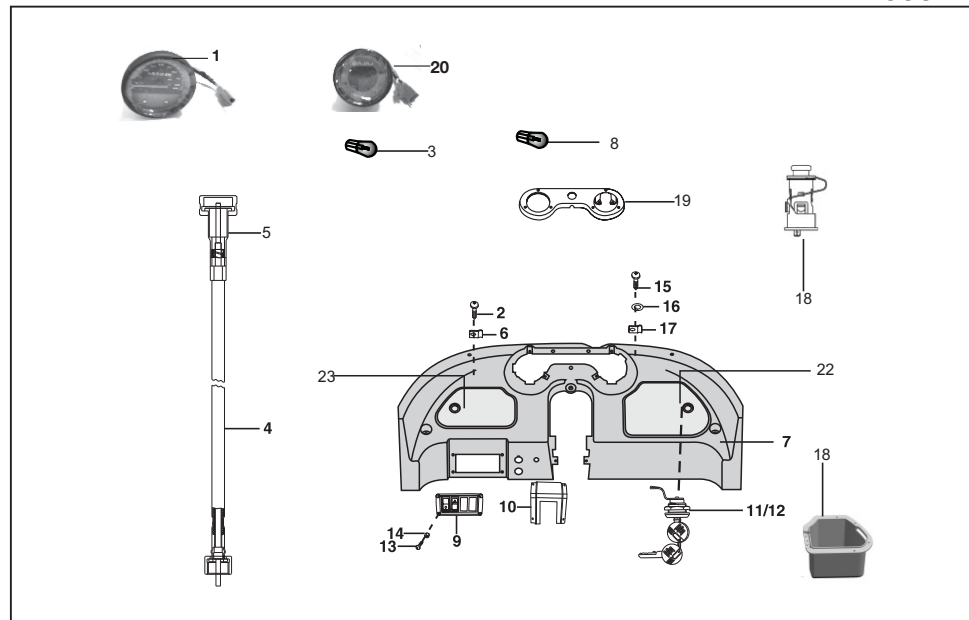
No.	Part No.	Description	Qty. per Veh.		Remarks
			BH	BG	
1	AP 1610 48	Handle Bar Body	1	1	
2	22 1802 19	Steering lock plate	1	1	
2a	22 1810 58	Steering lock plate modified	1	1	Aug.11
3	39 1830 12	Spring washer	2	2	
4	39 0071 04	Hex head screw	2	2	
5	21 1802 07	Lining -Steering lock plate	2	2	ns
6	39 0192 10	Eyelet rivet	2	2	ns
7	39 1377 04	Hex. bolt with collar	1	1	
8	39 0201 11	Plain washer	2	2	
9	39 1829 12	Spring washer	1	1	
10	39 0296 15	Hex nut	1	1	
11	AB 1810 22	Lower plate assly	1	1	
12	AB 1810 23	Upper plate assembly	1	1	
13	39 2295 15	Flange nut	2	2	
14	21 1803 07	Knob	1	1	
15	39 0198 11	lain washer	1	1	



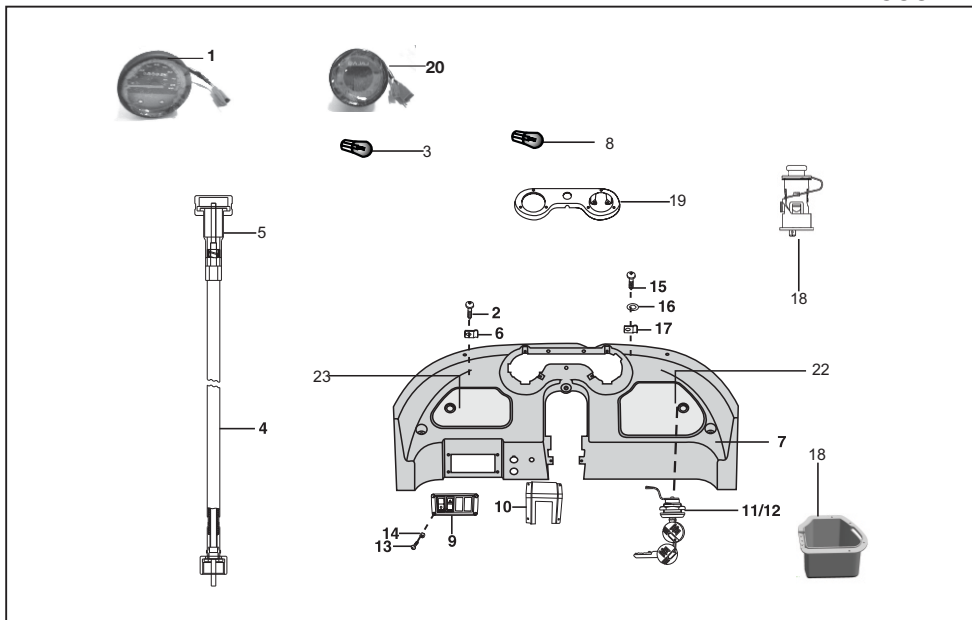
No.	Part No.	Description	Qty. per Veh.		Remarks
			BH	BG	
16	21 1803 08	Spring	1	1	
17	AP 1610 47	Handle bar top cover	1	1	
18	KB UC04 10	Screw Truss M4 X 0.7P	3	3	



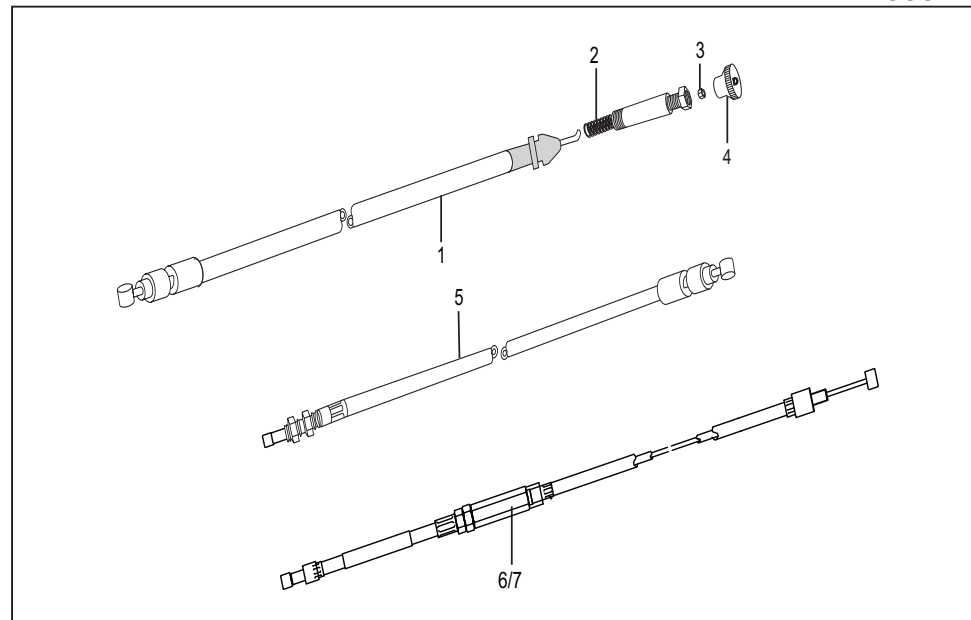
No.	Part No.	Description	Qty. per Veh.		Remarks
			BH	BG	
1	24 1910 96	Tube assly gear control	1	1	
1a	24 1810 74	assembly gear control tube	1	1	
1b	BG 1510 01	Tube assembly gear control-Old	-	1	
2	24 1911 00	Pulley gear control	1	1	
2a	24 1911 44	Pulley gear control-mod hbr	1	1	
3	24 1910 98	Tube assly. comp. - throtl.	1	1	
4	24 1911 01	Pulley gas control	1	1	
5	CM 1910 49	Spring clip	2	2	For fitment of pulley control
6	06 1910 89	Hand grip	2	2	
7	BG 1610 00	Clutch lever	1	1	
8	24 1911 05	Special screw	1	1	
9	03 1902 04	Plain washer	1	1	
10	01 1902 05	Spring washer`	1	1	
11	03 1902 06	Plain washer	1	1	
12	39 0262 12	Spring washer`	1	1	
13	39 0326 15	Nylock nut	1	1	
14	BG 1510 00	Ring gear indicator	1	1	
15	LH C000 01	Spring clip	1	1	
17	BA 1910 57	ring -gear indicator:diesel-new handlbar	1	1	



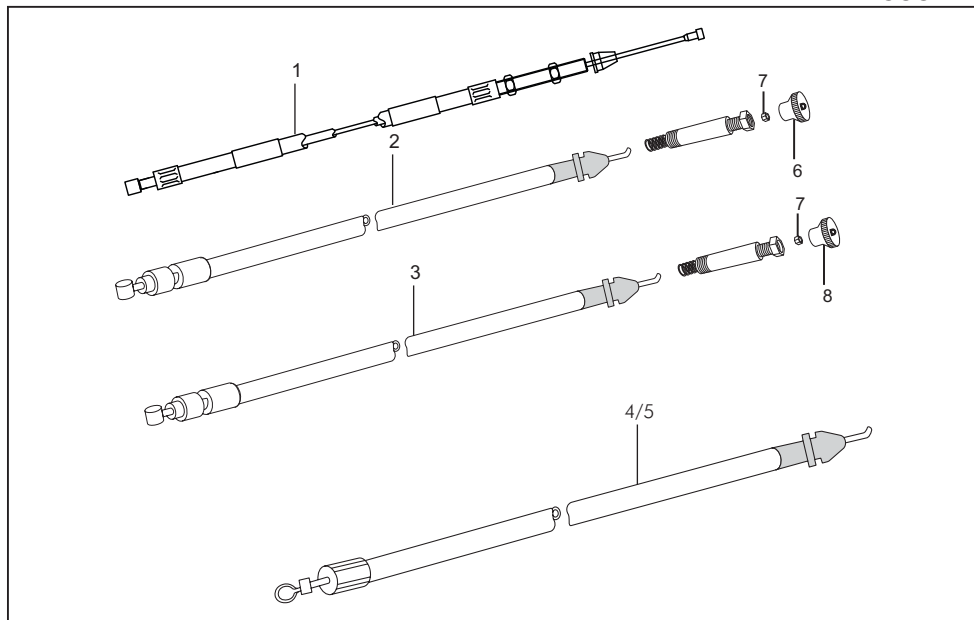
No.	Part No.	Description	Qty. per Veh.		Remarks
			BH	BG	
1	AL 1910 43	Speedometer complete	1	-	
2	59 0100 07	Screw	3	3	
3	CM 2010 54	Lamp 12V 3W	5	5	
4	BH 1612 02	Speedo cable	1	-	
4a	BG 1612 10	cable speedometer	-	1	
5	BH 1612 03	Speedo cable inner	1	-	
5a	AL 1910 20	cable - speedometer - inner	-	1	
6	CE 1810 15	Clip Nut	15	15	
7	24 1613 67	Dashboard assly	1	-	
7a	AL 1613 84	Dashboard assembly complete	-	1	
8	DL 1910 20	Lamp 12V 3W	1	1	NS
9	24 1613 73	Switch cover	1	-	
9a	AL 1613 79	Cover switch	-	1	
10	24 1613 71	Cover middle portion	1	1	ns
11	AL 1613 62	Lock Stereo lid With Key	1	1	ns
12	39 1523 01	Screw - Slotted Cheese Head	4	4	
12a	39 0044 01	screw AL191020- round head :-	m5	5	
13	39 0291 15	Hexagon nut	4	4	
14	59 0100 05	Screw round head mushroom	7	7	



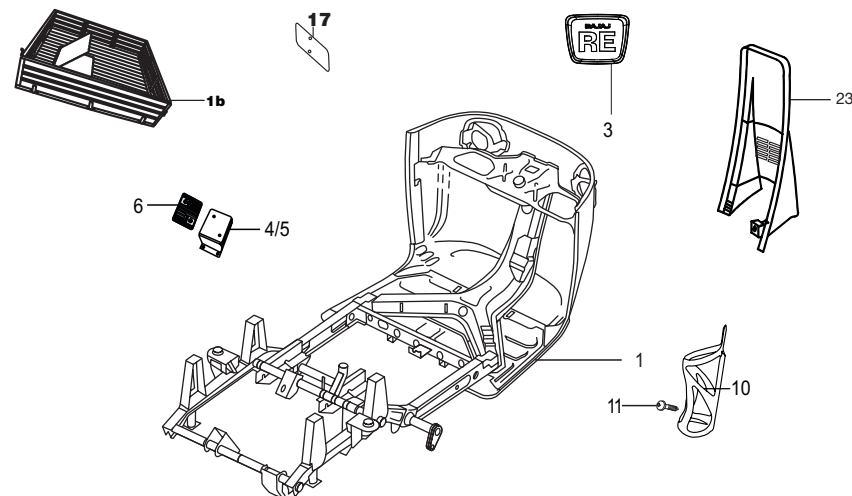
No.	Part No.	Description	Qty. per Veh.		Remarks
			BH	BG	
16	35 1610 60	Clip nut	8	8	
17	AL 2011 00	Mobile charger	1	1	
18	24 1613 68	Tool Box Right Side	1	-	
19	AL 1614 98	Cover Speedo Meter	1	1	FOR BG113800
19a	AP 1910 04	Cover new dashboard	1	1	speedo.tell-tale ind
20	BH 4026 01	Indicator Assembly RH	1	1	
21	24 2301 98	Pad - rubber	1	1	
22	AL 1615 03	Tool box lid RH	1	1	Bg113800
23	AL 1615 02	Tool box lid LH	1	1	Bg113800
24	24 1613 69	Toolbox lid left side (plastic)	1	1	24161367
24a	24 1613 70	Toolbox lid right side (plastic)	1	1	24161367
25	AL 1611 72	Lock - sterlo lid	2	2	



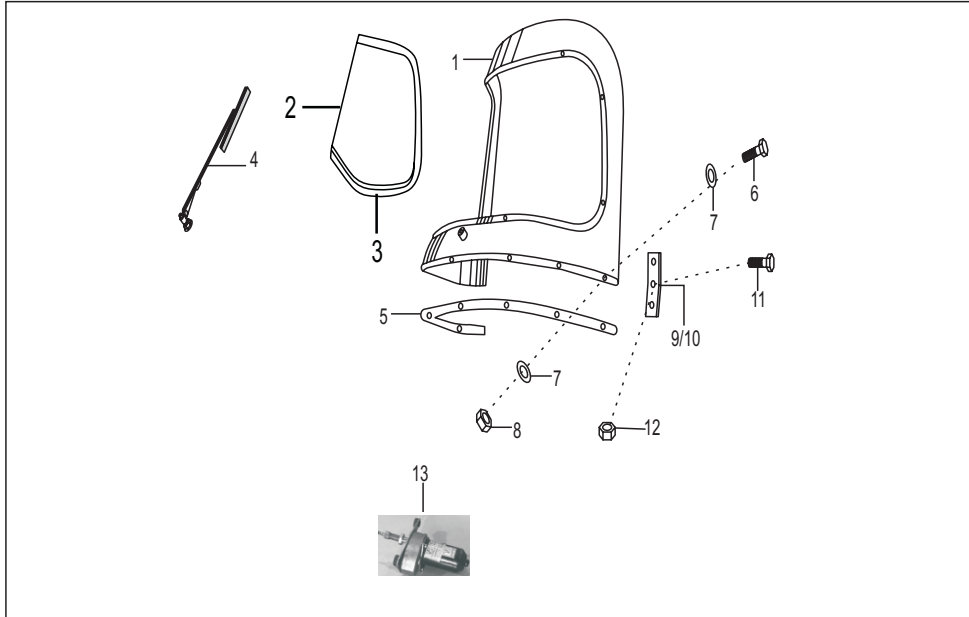
No.	Part No.	Description	Qty. per Veh.		Remarks
			BH	BG	
1	AL 1910 38	Cable Assly Decomp.	1	1	from-15.02.2011
2	AL 1910 26	Release spring	1	1	
3	39 0291 15	Hex nut	1	1	
4	AL 1910 39	Knob-cable Decomp. Fix End	1	1	
5	BG 1612 01	Cable Accelerator	1	1	
6	BG 1612 05	Gear cable com. White	1	1	
7	BG 1612 04	Gear cable comp-Black	1	1	
8	24 1613 87	Bracket for control cables	2	2	NI



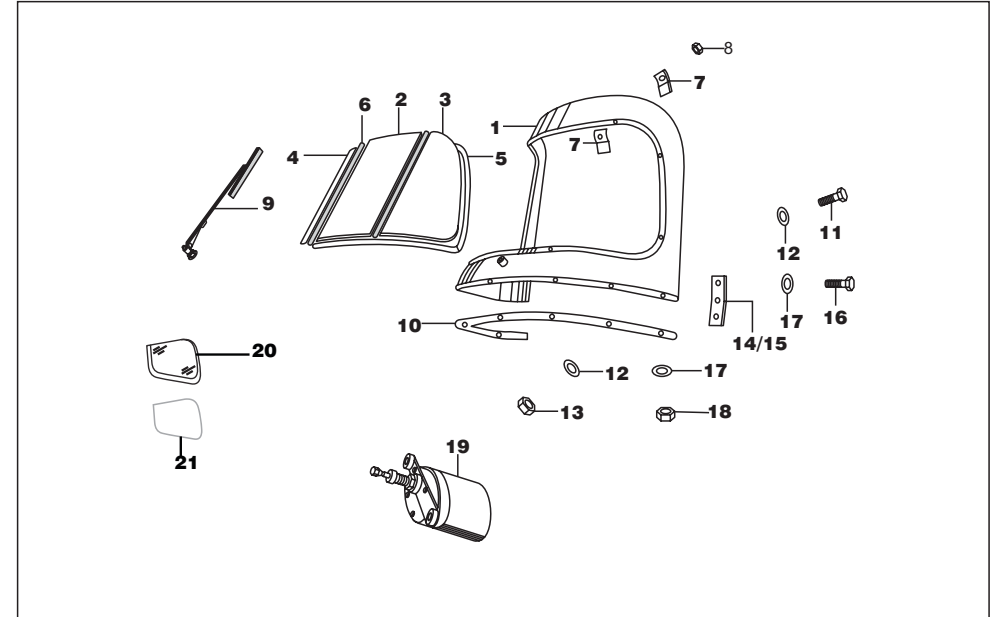
No.	Part No.	Description	Qty. per Veh.		Remarks
			BH	BG	
1	BG 1612 09	Clutch cable	1	1	
1A	BH 1612 04	Clutch cable	1	--	Aug.11
2	BH 1612 01	Stop cable	1	--	
2a	BG 1612 08	Cable stop	--	1	
3	AL 1910 07	Reverse cable	1	--	Aug.11
3a	BG 1612 07	Reverse cable	--	1	
4	BG 1318 02	Cable assembly - H. brake front	1	1	Aug.11
5	24 1510 59	Cable assly H. brake Rear LH	1	1	
5a	24 1510 60	Cable assly H. brake Rear RH	1	1	
6	AL 1910 40	Knob - Stop cable	1	1	
7	39 0291 15	Nut	2	2	
8	AL 1910 41	Knob- Reverse cable	1	1	
9	BH 2414 02	Cable rear door holding	2	2	



No.	Part No.	Description	Qty. per Veh.		Remarks
			BH	BG	
1	BH 1110 06	Bare chassis/frame complete	1	--	alt ED -52BH0027
1a	BG 1110 47	Frame assly	--	1	alt-ED -52BG0032
1b	BG 2210 00	RE cargo tray	--	1	alt-ED -52BG0031
2	BH 2326 00	Lock set	1	--	N. I.
2a	BG 2326 01	Lock set	--	1z	
3	BG 2330 02	Emblem Bajaj RE for scudo	1	1	
4	24 1613 90	Heel rest brake	1	1	
5	BG 1130 00	Heel Rest LH	1	1	
6	AL 1511 68	Pad Heel rest	1	1	
10	24 1614 46	Holder Water Bottle	1	1	
11	39 1076 01	Screw	2	2	
12	22 1612 38	Bkt fr. number plate mounting	1	1	
13	AL 1612 08	Cover for horn	1	1	
14	24 1614 83	Cover assly. steering	1	1	
15	BH 2330 03	Emblem RE445 M diesel	1	--	
16	AL 1610 69	Packing between chassis & tray	6	6	
17	22 1612 21	Front no plate	1	1	

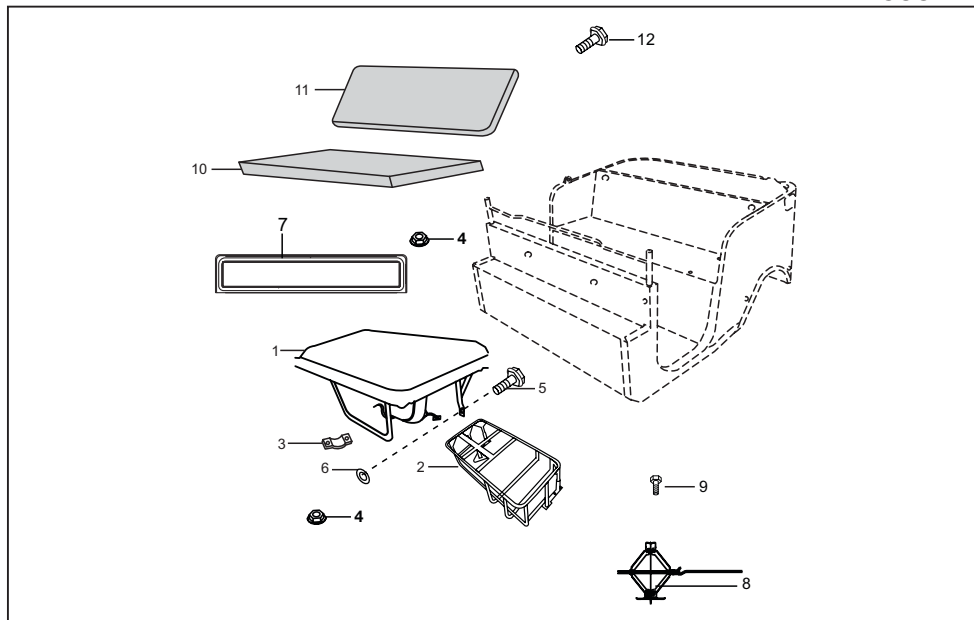


No.	Part No.	Description	Qty. per Veh.		Remarks
			BH	BG	
1	AL 2410 25	Wind shield assly	1	--	alt ED-52AL0278
2	AA 2310 22	Glass one piece (windshield)	1	--	
3	AA 2310 26	Rubber beading	1	--	
4	AL 2410 23	Wiper assly	1	--	
5	AL 2412 85	packing shield and w shield	1	--	
6	39 0085 04	Bolt	9	--	
7	39 0258 11	Plain washer	18	--	
8	39 2484 15	Flange nut	9	--	
9	AB 2310 09	Joint plate LH	1	--	
10	AB 2310 08	Joint plate RH	1	--	
11	39 0071 04	Bolt hex head	4	--	
12	39 2484 15	Flanged nut	4	--	
13	AL 2010 22	Wiper Motor	1	--	
14	AL 1613 88	cover wiper motor black	1	--	NI
15	39 0292 15	NUT - M6 X 1(wiper motor)	3	--	NI

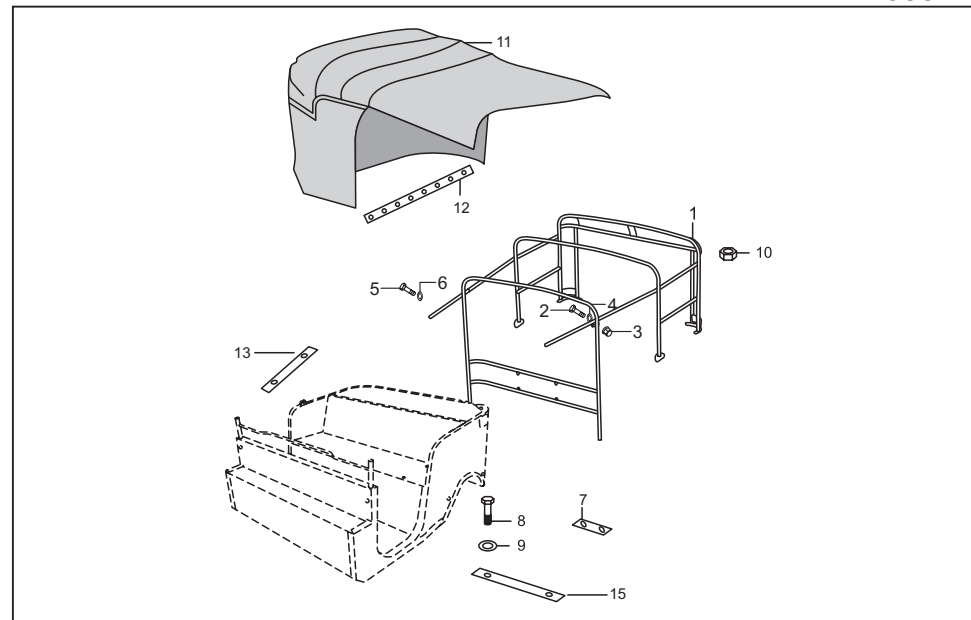


No.	Part No.	Description	Qty. per Veh.		Remarks
			BH	BG	
1	BG 2010 01	Wind shield assly	--	1	
2	22 2312 58	Central glass	--	1	
3	22 2311 41	Side glass LH	--	1	
4	22 2311 40	Side glass RH	--	1	
5	22 2311 42	Rubber beading	--	1	
6	22 2306 56	Verticle strip	--	2	
7	22 2306 25	Plate -II	--	8	
8	39 0287 15	Hexagon nut	--	8	
9	22 2306 35	Wiper assly	--	1	
10	AL 2410 33	Packing for shield & wind shield	--	1	
10a	AL 2412 85	Packing Shield And W Shield	--	1	
11	39 0085 04	Bolt	--	9	
12	39 0258 11	Plain washer	--	18	
13	39 2484 15	Flange nut	--	9	
14	AL 2411 84	Joint plate LH	--	1	
15	AL 2411 85	Joint plate RH	--	1	
16	39 0100 04	Bolt hex head	--	4	
17	39 1224 11	Plain Washer	--	8	
18	39 1373 15	Nyloc Nut	--	4	
19	AA 2011 52	Wiper Motor	--	1	
20	22 2707 09	Glass rear	--	1	
21	AL 2410 65	Beading for rear glass	--	1	

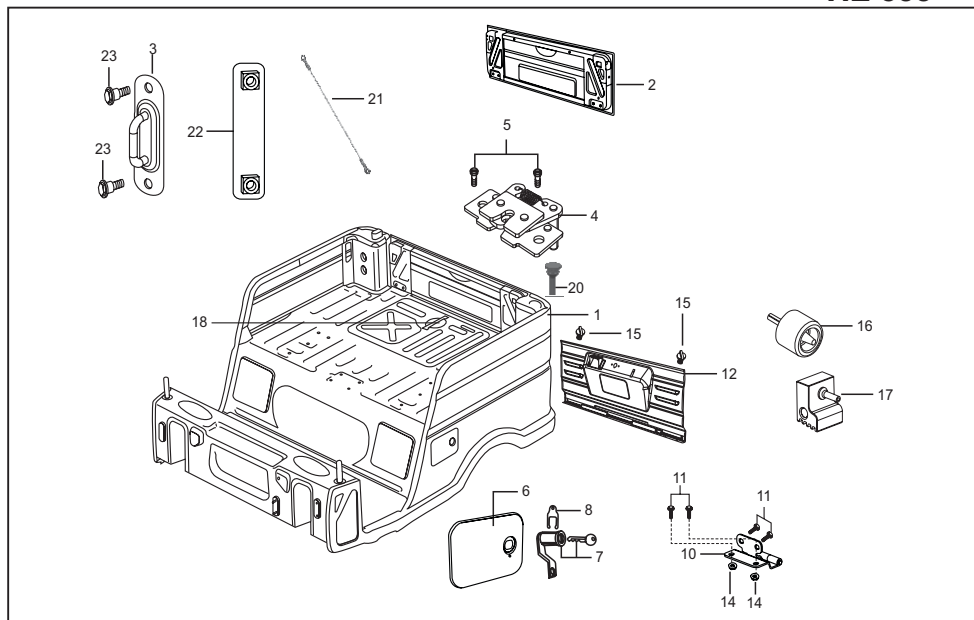




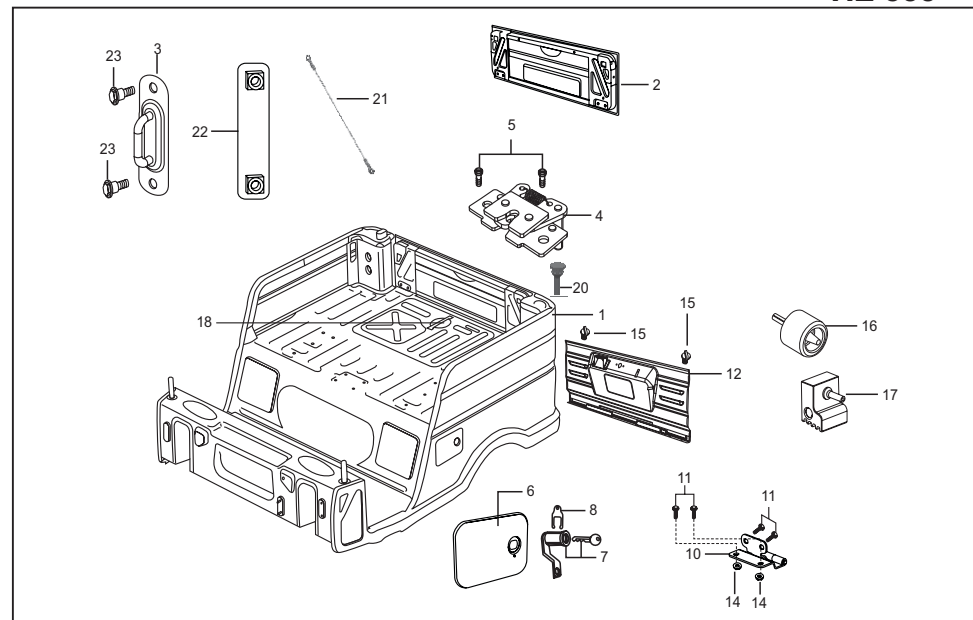
No.	Part No.	Description	Qty. per Veh.		Remarks
			BH	BG	
1	BH 1910 17	Driver seat	1	-	
1a	BB 2110 12	Driver seat	-	1	
2	AP 1610 54	Driver seat Frame	1	-	
2a	BG 1910 01	Driver seat Frame	-	1	
3	24 2311 46	Clip	2	2	
4	39 1972 15	Nut - Hexagon with flange-M5	4	4	
5	39 1556 04	Bolt Flange	2	2	
6	39 2383 15	Nut - Hexagon with flange-M8	2	2	
7	BH 1910 19	Driver backrest	1	1	
8	BB 2210 04	Jack assly.	1	1	
9	39 1680 04	Bolt - flange :- M6	2	2	
10	BH 1910 09	Seat Aasly. Passenger	1	1	
11	BH 1910 22	Back rest assly. Passenger	1	1	from Aug.11
12	39 1557 04	Bolt M-8	6	6	
13	DG 1611 24	Damper	-	2	
14	BG 1910 00	Driver seat with frame	-	1	higher assly
15	BH 1910 18	Assembly complete driver seat	1	-	higher assly



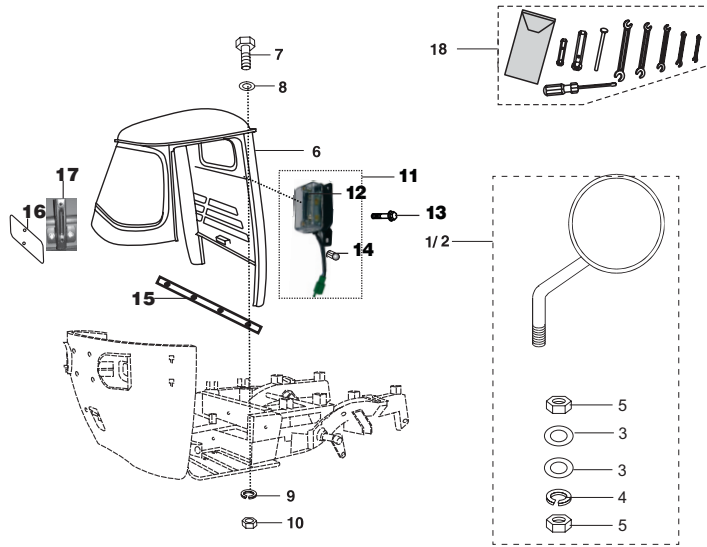
No.	Part No.	Description	Qty. per Veh.		Remarks
			BH	BG	
1	BH 2130 00	Hood Frame Assly	1	--	
2	39 1958 04	Bolt M-6 X 20	10	--	--joint between middle & rear pipe assly
3	24 2314 76	Dome Nut	14	--	
4	39 0211 11	Plain Washer	20	--	
5	39 1912 04	Bolt Flange	4	--	
6	39 0239 11	Plain Washer	8	--	
7	24 2302 02	Packing II	4	--	NS
8	39 0390 04	Hexagon screw	8	--	
9	39 0211 11	Plain Washer	20	--	
10	39 0294 15	Nut	8	--	
11	BH 2130 01	Hood complete	1	--	
12	AT 2130 01	Stripe hood fixing RR	1	--	
13	22 2311 55	Stick assembly - hood	1	--	



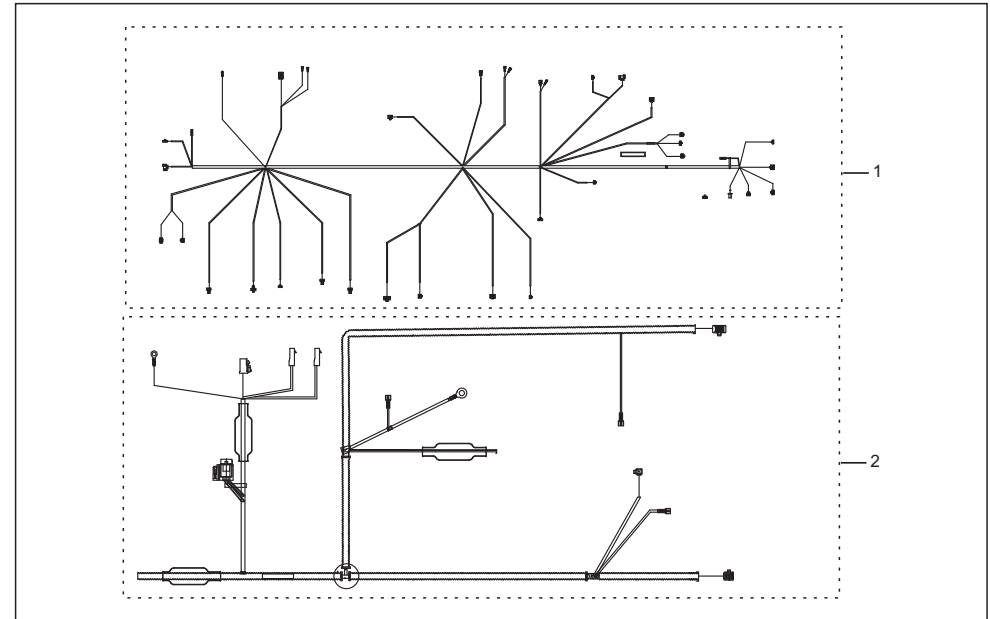
No.	Part No.	Description	Qty. per Veh.		Remarks
			BH	BG	
1	BH 2110 91	Body Assembly	1	alt ED -52BH0029	
2	BH 2110 16	Door Rear Upper	1		
3	BH 2110 51	Bkt. hook upper door	2	ns	
4	BH 2418 00	Latch door rear upper	1		
5	39 1551 04	Bolt - flange	2		
6	BH 2110 12	Door assembly fuel filling	1		
7	36 AA40 15	Lock fuel filling door	1	ns	
8	01 1607 17	Lock clip	2		
9	06 2210 28	Shock pad	2	N.I.	
10	BH 2414 01	Hinge Door Rear Lower	2		
11	39 1951 04	Bolt Flange M8X20	8		Hinge mtg on body & rear door.
12	BH 2110 93	Door Rear Lower	1		
13	39 1309 11	Plain washer	4	N.I.	
14	39 1972 15	Nut Flange	4		Hinge mtg body & rear door
15	BH 2418 04	Knob rear door lower	2		



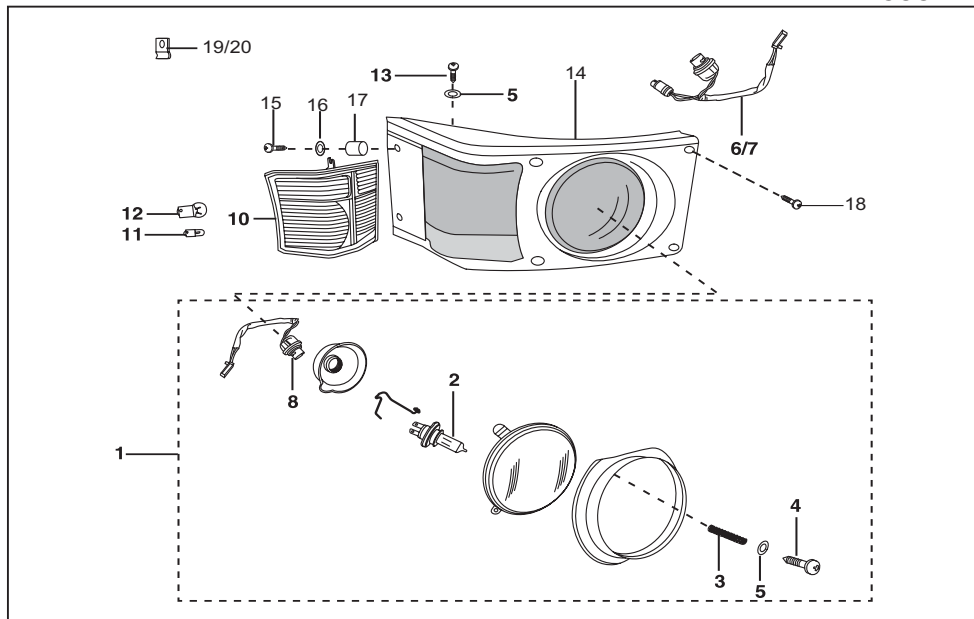
No.	Part No.	Description	Qty. per Veh.		Remarks
			BH	BG	
16	BH 2110 62	Rubber Damper Door lower	2		
17	BH 2110 61	Rubber Damper Door Upper	2		
18	BH 2110 14	Door engine access	1		
19	39 1551 04	Screw for engine door	2	N.I.	
20	BG 2210 03	Pad rubber for engine door	4		
21	BH 2414 02	Cable Door holding	2		
22	BH 2110 52	Plate Assly.	2		
23	BH 2110 57	Shoulders Bolt	4		



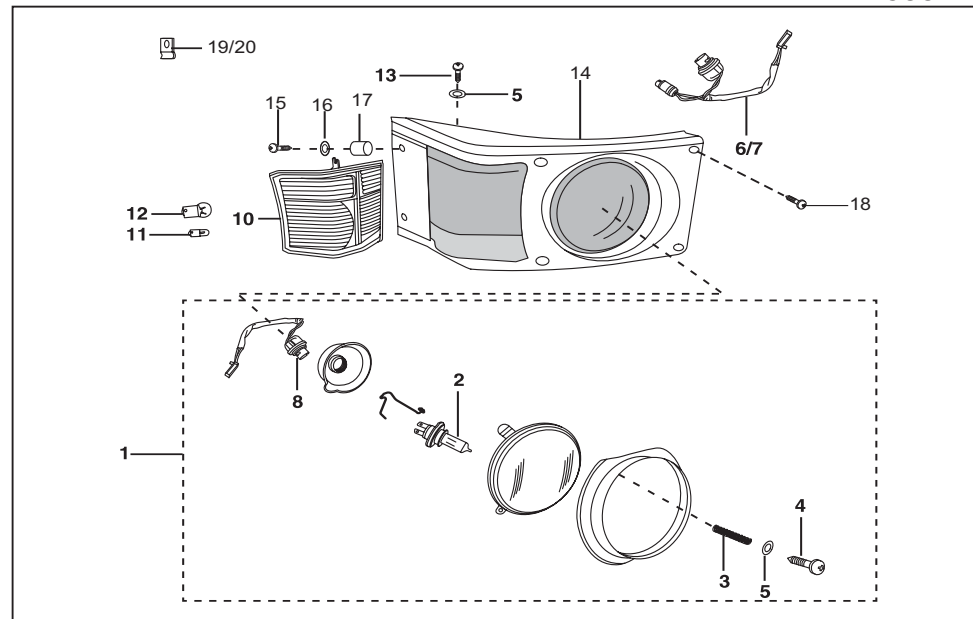
No.	Part No.	Description	Qty. per Veh.		Remarks
			BH	BG	
1	BG 2316 02	Mirror assly. RH	--	1	
2	BG 2316 01	Mirror assly. LH	--	1	
3	21 1704 16	Plain washer	--	4	
4	39 1829 12	Spring washer	--	2	
5	39 0302 15	Hex nut	--	4	
6	BG 2010 00	Driver cabin assly.	--	1	
7	39 1069 01	Hex head screw	--	20	
8	39 0711 11	Plain washer	--	40	
9	39 0263 12	Spring washer	--	20	
10	39 0292 15	Hex nut	--	20	
11	AP 2010 58	Cabin light assembly	--	1	
12	AL 2010 88	Lens for cabin light	--	1	
13	39 2208 04	Flange bolt	--	2	
14	AL 2010 83	Lamp 12V (capless type)	--	1	
15	AL 2410 37	Packing Upper cabin	--	1	
16	AL 1611 52	Front number plate	--	1	
17	22 1612 38	Front number plate bkt.	--	1	for bracket
18	BG 2310 00	Tool Kit	1	1	



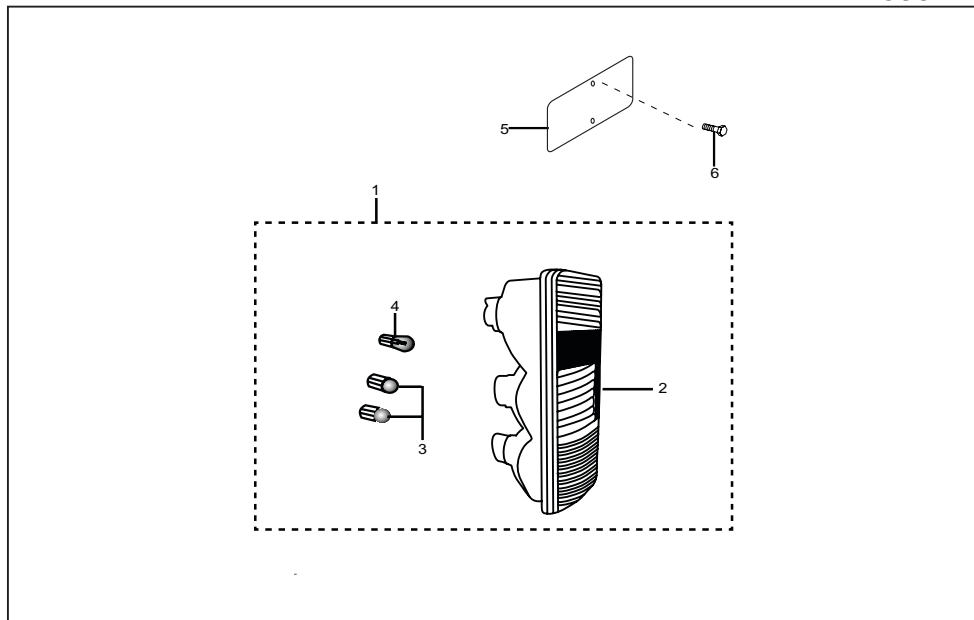
No.	Part No.	Description	Qty. per Veh.		Remarks
			BH	BG	
1	BH 4022 05	Harness wiring-front	1	--	
1a	BG 4022 12	Harness wiring(front)(economy)	--	1	
2	BH 4022 06	Wiring harness chassis	1	--	
2a	BG 4022 13	harness wiring(chassis)(economy)	--	1	
3	BG 4022 11	Cable Assly.	1	--	
3a	BA 2011 30	Cable Assly.	--	1	



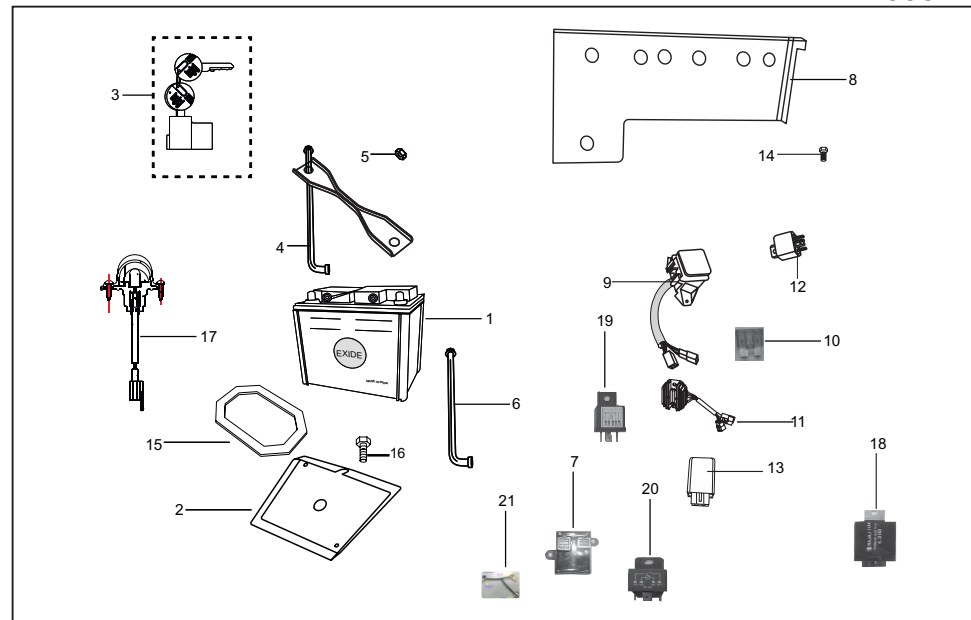
No.	Part No.	Description	Qty. per Veh.		Remarks
			BH	BG	
1	AL 2010 65	H/L Assly. LH	1	1	
1a	AL 2010 66	H/L Assly. RH	1	1	
2	CL 2010 23	Lamp 12V-35/35w-HS1	2	2	
3	AL 2010 32	Spring - Head lamp Mtg	6	6	
4	39 0758 01	Screw pan cross-M5	6	6	
5	39 1839 11	Plain washer	14	14	
6	AP 1610 80	flap asy lh headlamp housing	1	1	
7	AP 1610 82	flap asy rh headlamp housing	1	1	
8	al 2010 27	lamp assembly - head :- lh	1	1	
8	al 2010 29	lamp assembly - head :- rh	1	1	
9	AP 1610 72	Rubber beading	2	2	
10	AL 2010 51	Ind assly. Front LH/ Lamp	1	1	
10a	AL 2010 17	Ind assly. Front RH/ Lamp	1	1	
11	06 2010 82	Lamp 12V 5W	2	2	
12	06 2010 83	Lamp 12V 10W	2	2	
13	39 0921 01	Screw pan cross	8	8	
14	BG 1138 02	Head lamp-Blinker Hsg LH	1	1	
14a	BG 1138 03	Head lamp-Blinker Hsg RH	1	1	
15	39 1698 01	Screw pan	4	4	



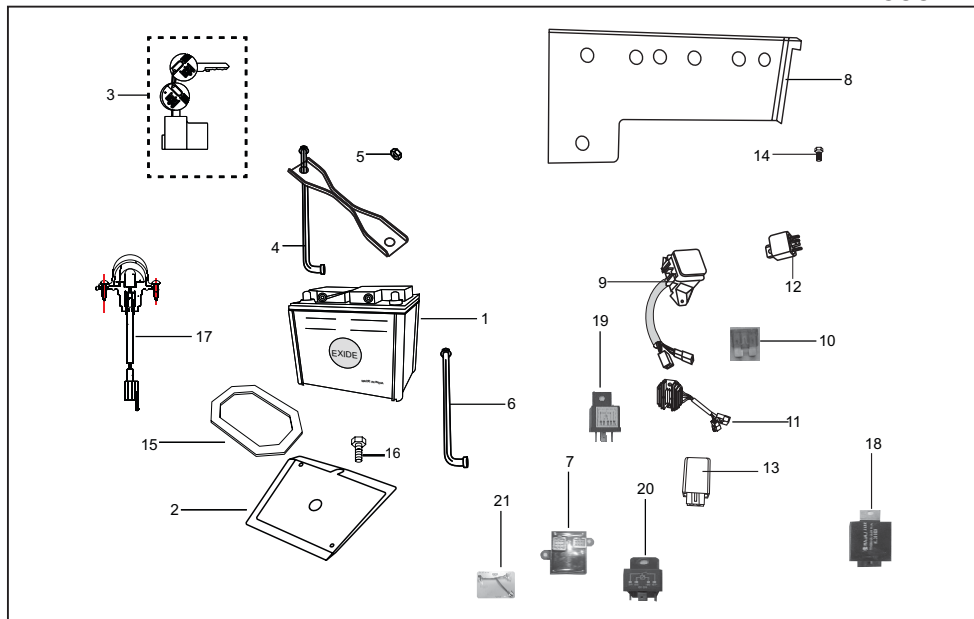
No.	Part No.	Description	Qty. per Veh.		Remarks
			BH	BG	
16	39 1765 11	Plain washer	8	8	
17	AL 1611 91	Spacer	4	4	
18	39 0830 01	Screw Pan-M5	4	4	
19	AL 1611 80	Clip Nut	12	12	
20	AL 1613 74	Clip Nut	8	8	
21	AL 1613 11	cover headlamp - lh	1	1	
22	AL 1613 12	cover headlamp -rh	1	1	



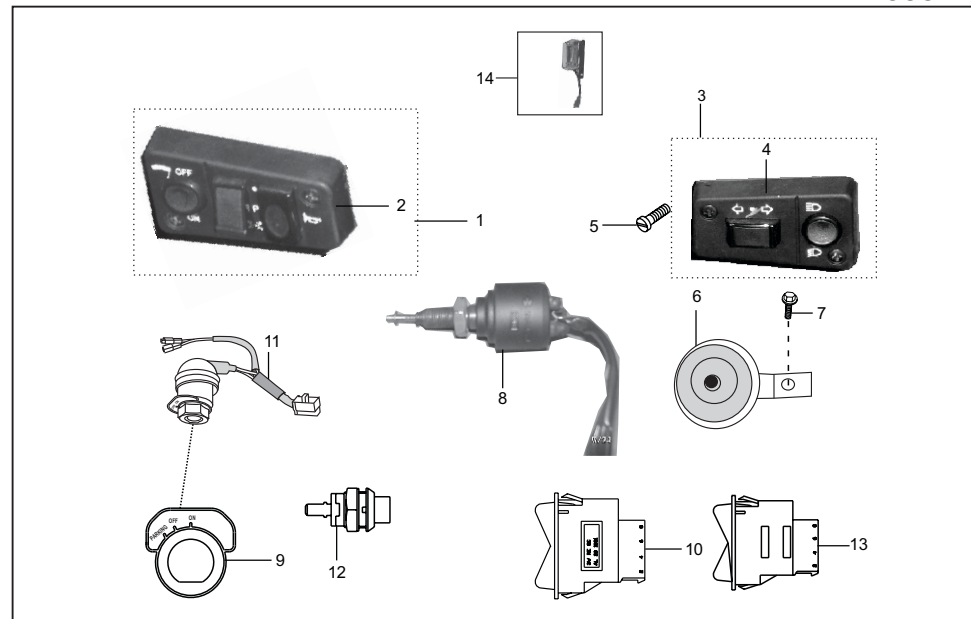
No.	Part No.	Description	Qty. per Veh.		Remarks
			BH	BG	
1	AA 2011 99	Tail light LH with Lamp	1	-	N.I.
1A	AA 2011 57	TAIL LIGHT LH WITH LAMP	-	1	
2	AA 2012 01	Tail light RH with lamp	1	--	
2a	AA 2011 60	TAIL LIGHT RH/LAMP	-	1	
3	06 2010 83	Lamp 12v 10W	2	2	
4	AA 2012 27	Lamp 12V 18/5W	2	2	
5	22 1612 21	Plate -number	1	1	
6	39 0817 15	Flange nut	4	4	
7	BH 4010 04	Number plate light with lamp	1	1	



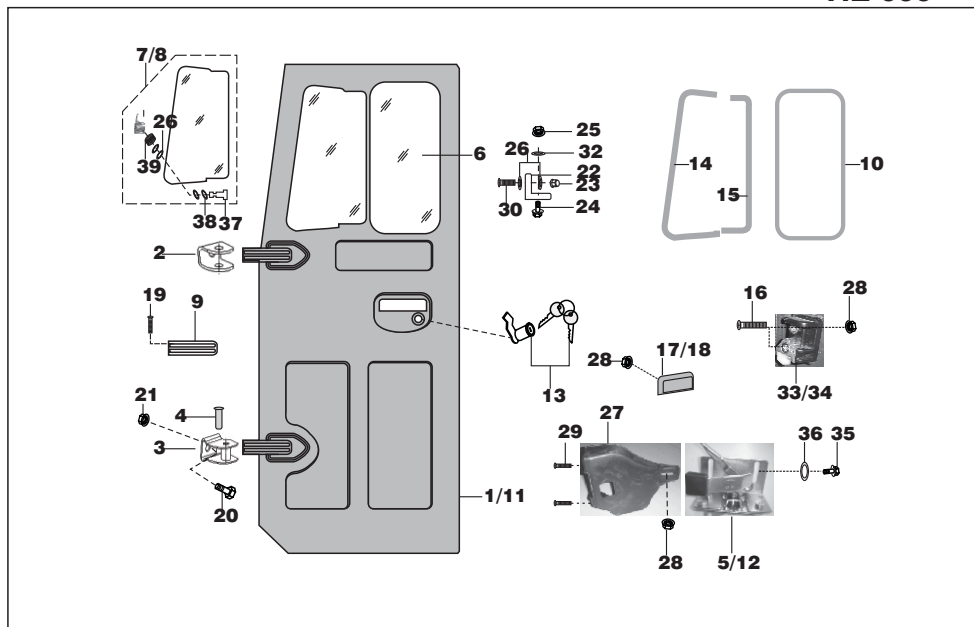
No.	Part No.	Description	Qty. per Veh.		Remarks
			BH	BG	
1	BA 2010 01	Battery	1	NS	
2	BG 1138 05	Battery tray	1		
3	BB 2010 30	Lock battery with key	1		
4	AN 1610 74	Clamp Assly	1		
5	39 0817 15	Nut	2		
6	AN 1610 75	Tie rod	1		
7	BA 2010 17	Relay starter	1		
8	BG 4032 00	Plate Electrical units Front	1		
9	AL 2010 82	Fuse box assembly	1		
10	AK 2010 12	Fuse blade type 10 Amp	6		
10	DG 2010 84	fuse :- 30 amps (blade type)	1		
11	AL 2010 38	Regulator	1		
12	AB 2010 76	Relay Flasher (hazard)	1		
13	BA 2010 17	Starter relay	1		
14	39 2208 04	Flange bolt	6		
15	39 1681 04	Flange Bolt	2		



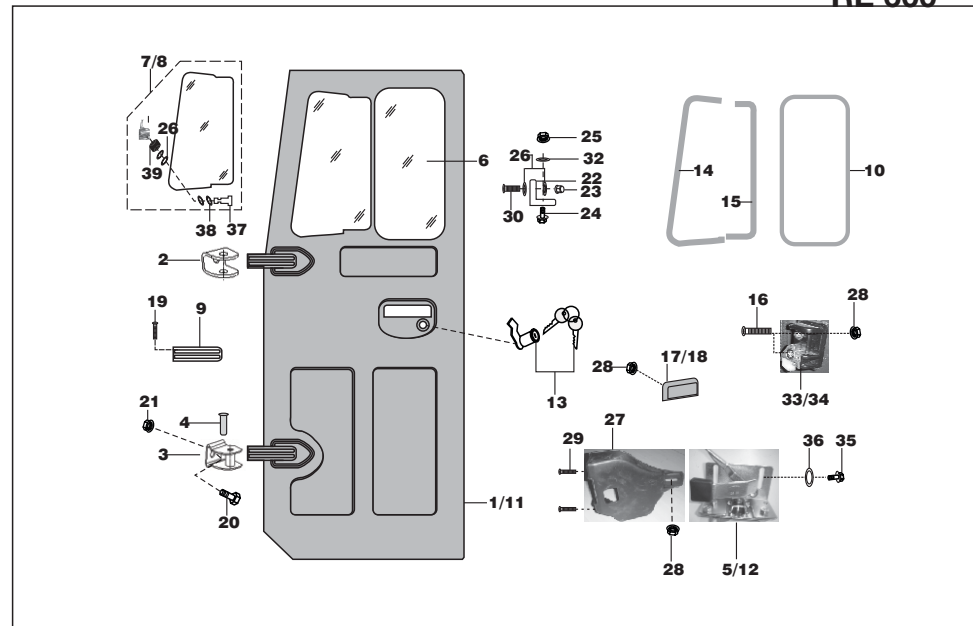
No.	Part No.	Description	Qty. per Veh.		Remarks
			BH	BG	
16	BA 1610 29	Packing Battery	1	1	
17	BH 4010 04	Lamp rear No. plate	1	1	
18	AL 2010 23	Glow plug timer	1	1	
19	AL 2010 24	Decomp. Relay	1	1	
20	BA 2010 17	Glow plug relay	1	1	
21	BG 4022 14	Pigtail CCU to glow relay	1	1	
22	AL 2010 12	Relay head light	1	1	



No.	Part No.	Description	Qty. per Veh.		Remarks
			BH	BG	
1	AL 2010 61	Control Switch RH	1	1	
2	AL 2010 87	Switch Cover RH	1	1	
3	AL 2010 60	Control Switch LH	1	1	
4	AL 2010 86	Switch Cover LH	1	1	
5	AL 2010 62	Slotted Ch. Hd. Screw	4	4	
6	AA 2012 39	Horn dc 12v with transil diode	1	1	
7	39 1557 04	Flange bold	1	1	
8	AF 2010 94	Brake switch	1	1	
9	AP 2010 12	Label ( Parking-OFF-ON )	1	1	
10	AL 2010 31	Switch for stereo Connection	1	1	
11	BG 4014 01	Ignition Parking Switch (ST SW)	1	1	
12	AF 2011 46	Switch Start	1	1	
13	AB 2010 77	Switch hazard warning	1	1	
14	AP 2010 58	Cabin light Assly.	1	1	
14a	AL 2010 73	Lamp (light) assembly - cabin	1	1	



No.	Part No.	Description	Qty. per Veh.		Remarks
			BH	BG	
1	AL 2412 56	Door assly LH	--	1	
2	AL 2412 57	Door hinge link windshield	--	2	
3	AL 2411 43	Door hinge link scudo	--	2	
4	AL 2411 44	Door hinge pin	--	4	
5	AL 2412 18	Door lock assl. LH	--	1	
6	AL 2412 08	Fixed window glass	--	1	
7	AL 2412 81	Swelling glass assly RH	--	1	
8	AL 2412 82	Swelling glass assly LH	--	1	
8a	AL 2412 09	Glass Swivelling	--	2	
9	AL 2411 86	Strip door limiting	--	1	
10	AL 2411 98	Beading for fixed glass	--	1	
11	AL 2412 59	Door assly RH	--	1	
12	AL 2412 19	Door lock assy RH	--	1	
13	AL 1810 32	Lock barral LH	--	1	
13a	AL 2412 71	Lock barral LH	--	1	
14	AL 2411 99	Beading for swelling glass	--	1	Front LH
14a	AL 2412 12	Beading for swelling glass	--	1	Front RH
15	AL 2412 00	Beading for swelling glass	--	2	Rear
16	39 0407 01	Screw	--	2	
17	AL 2412 53	Handle assly. LH	--	1	
18	AL 2412 55	Handle assly. RH	--	1	
19	39 1348 01	Screw	--	8	
20	39 2706 04	Hex bolts	--	4	



No.	Part No.	Description	Qty. per Veh.		Remarks
			BH	BG	
21	39 2479 15	Flange nuts	--	4	
22	AL 2411 88	Bracket	--	4	
23	39 0963 15	Dom nut	--	4	
24	39 0898 04	Flange bolt	--	4	
25	39 0292 15	Flange nut	--	4	
26	AL 2411 90	Nylon washer	--	12	
27	AL 2412 01	Cover door lock LH	--	1	
27a	AL 2412 02	Cover door lock RH	--	1	
28	39 1581 15	Flange nut	--	10	
29	39 0761 01	Screw	--	4	
30	39 1781 01	Screw	--	4	
31	AL 2411 97	Beading Door	--	2	N.I.
32	AL 2411 93	Washer	--	8	
33	AL 2412 16	Block assly comp. LH	--	1	
34	AL 2412 17	Block assly comp. RH	--	1	
35	39 1943 04	Flange bolt	--	4	
36	39 0804 11	Plain Washer	--	4	
37	AL 2411 92	Bolt	--	2	
38	39 1508 11	Plain washer	--	4	
39	AL 2411 89	Spring	---	2	

Amendment Sheet (Parts Deleted)

Sr.No.	Part No.	Description	Qty.	Page No.	Fig.No.

Amendment Sheet (Parts Deleted)

Sr.No.	Part No.	Description	Qty.	Page No.	Fig.No.



## Part Index

RE 445M  
RE 600

Part No.	Figure No.	Page No.
1100323	6	55
1100342	9	55
1100905	5	13
1160509	5	38
1160717	8	67
1180123	7	19
1190205	10	58
3150207	5A	13
3190204	4	38
3190204	9	58
3190206	11	58
5151012	4	47
5161256	4	53
6180303	13	51
6191089	6	58
6201082	11	70
6201083	12	70
6201083	3	72
6221028	9	67
15141007	8	38
16201055	24	26
19101016	6	20
19101017	6A	20
19101018	6B	20
19101019	6C	20
19101020	6D	20
19161151	9	63
21100711	7	20
21150422	10	42
21170416	3	68
21180207	5	56
21180307	14	56
21180308	16	57
22131014	7	21

Part No.	Figure No.	Page No.
22150435	13	42
22150507	2	47
22151105	9	43
22151106	13	54
22161221	17	63
22161221	5	72
22161238	12	63
22161238	17	68
22170434	2	54
22171007	8	55
22180219	2	56
22181058	2A	56
22230625	7	64A
22230635	9	64A
22230656	6	64A
22231140	4	64A
22231141	3	64A
22231142	5	64A
22231155	13	66
22231258	2	64A
22270709	20	64A
23161305	17	39
24130105	3	17
24130111	3	21
24131032	8	21
24131074	11	39
24150406	12	42
24150407	12A	42
24151059	5	62
24151060	5A	62
24151061	1	47
24151067	5	47
24151068	6	47
24151069	7	47

## Part Index

RE 445M  
RE 600

Part No.	Figure No.	Page No.
24151079	19	45
24151087	2	44
24151090	4	44
24151092	7	44
24151093	8	44
24151094	3	44
24151097	9	44
24151098	10	44
24151107	2	43
24151108	3	43
24151110	8	43
24151113	5	43
24151114	6	43
24151119	1A	40
24151120	1B	40
24151133	4	40
24151134	5	40
24151135	6	40
24151136	3	40
24151137	7	40
24151138	8	40
24151145	8	47
24151146	10	47
24151147	11	47
24151154	9	47
24151163	1	43
24151164	4	43
24151168	14	41
24151169	9	40
24151170	10	40
24151171	11	41
24151172	12	41
24151173	13	41
24151174	2A	40

Part No.	Figure No.	Page No.
24151175	14A	41
24151176	9A	40
24151178	2B	40
24151179	14B	41
24151180	9B	40
24151181	10A	40
24151182	13A	41
24161367	7	59
24161368	18	60
24161369	24	60
24161370	24	60
24161371	10	59
24161373	9	59
24161390	4	63
24161443	18	52
24161446	10	63
24161483	14	63
24170425	8	39
24170507	7	54
24171014	2	39
24171024	11	55
24171049	12	54
24171075	3	54
24171118	1	54
24181032	12	51
24181033	6	51
24181034	2	51
24181046	7	51
24181047	11	51
24181074	1A	58
24191096	1	58
24191098	3	58
24191100	2	58
24191101	4	58

## Part Index

RE 445M  
RE 600

Part No.	Figure No.	Page No.
24191105	8	58
24191144	2A	58
24230198	21	60
24230202	7	66
24231146	3	65
24231476	3	66
30101025	6	29
30151065	12	21
31101067	26	14
3150207	4	13
33141007	17	37
33141008	16	37
35161060	16	60
35171033	8	49
36AA4015	7	67
36BA4001	10	3
36BA4004	13	1
36BB0006	10A	3
36BB0007	13A	1
36BG0005	6	12
39004401	12A	59
39007104	15	51
39007104	7	53
39007104	4	56
39007104	11	64
39008504	6	64
39008504	11	64A
39010004	16	64A
39011904	3	39
39014708	4	46
39019210	6	56
39019811	11	17
39019811	19	18
39019811	14	33

Part No.	Figure No.	Page No.
39019811	15	56
39019911	6	46
39020011	16	45
39020111	8	56
39020811	3	46
39021111	4	66
39021111	9	66
39021911	3	53
39023911	6	66
39025811	7	64
39025811	12	64A
39026212	12	58
39026312	15	48
39026312	9	68
39026512	5	29
39026512	17	45
39026912	13	55
39028715	8	64A
39029115	10	53
39029115	13	59
39029115	3	61
39029115	7	62
39029215	15	64
39029215	10	68
39029215	25	77
39029415	10	66
39029615	6	33
39029615	4	49
39029615	10	56
39030215	5	68
39030315	14	55
39031215	12	48
39032615	3	7
39032615	13	58

## Part Index

RE 445M  
RE 600

Part No.	Figure No.	Page No.
39034217	10	55
39037511	17	26
39039004	4	29
39039004	8	66
39042606	22	14
39046715	20	34
39046715	9	54
39052611	4	33
39052611	9	33
39059015	5	38
39064517	9	28
39069415	5	11
39069415	3	47
39070311	6A	28
39071111	8	68
39073904	26	36
39074011	18	50
39075801	4	70
39076101	3	28
39076101	29	77
39078812	14	44
39078912	3	49
39079012	4	28
39079908	7	46
39080411	24	14
39080411	36	77
39081715	9	30
39081715	28	36
39081715	6	72
39081715	5	73
39083001	18	71
39083415	21	34
39087404	17	34
39089704	10	17

Part No.	Figure No.	Page No.
39089704	19	26
39089804	24	77
39092101	13	70
39093915	15	49
39096315	23	77
39098004	13	12
39099906	20	18
39101321	6	1
39104219	18C	16
39104619	6	28
39105411	2	49
39106204	14	7
39106504	19	14
39106901	7	68
39107504	20	14
39107601	11	63
39107901	14	48
39118011	10	48
39118011	10	7
39118011	3	29
39118011	18	34
39118215	12	39
39119704	6	10
39121111	14	53
39122411	11	44
39122411	17	64A
39127121	12A	49
39130911	13	67
39132420	6	15
39133615	5	54
39137315	18	64A
39137704	7	56
39138904	13	44
39139604	3	33

## Part Index

RE 445M  
RE 600

Part No.	Figure No.	Page No.
39142305	3	11
39142305	11	15
39142305	13	33
39143104	12	15
39143520	4	5
39143620	4	2
39144525	10	10
39148720	4	17
39149721	5	10
39149819	9	6
39149819	8	17
39149919	8	4
39150811	38	77
39152301	12	59
39153217	11	20
39153217	26	22
39153419	5	15
39154704	15	7
39154804	11A	35
39155104	6	23
39155104	5	67
39155104	19	67A
39155204	3	23
39155204	2	24
39155204	2	53
39155604	18	31
39155604	5	65
39155704	9	38
39155704	12	65
39155704	7	75
39155704	7	76
39155804	6	9
39155804	10	11
39155804	11	13

Part No.	Figure No.	Page No.
39155804	2	27
39156015	16	26
39156121	6	7
39156221	10	1
39156221	8	9
39156221	16	16
39156221	16	22
39156221	15	28
39156421	10	9
39156421	2	10
39156421	12	49
39156706	12	6
39156706	10	13
39156706	8	28
39156806	2	25
39156906	7	1
39156906	3	9
39157006	4	6
39157104	17	28
39157311	4	32
39157704	5	32
39157815	11	28
39157915	16	8
39157915	15	30
39158015	9	7
39158115	8	7
39158115	28	77
39158211	12	44
39158511	18	16
39158511	14	17
39158511	24	22
39158721	9	17
39158821	18B	16
39163505	10	23

## Part Index

RE 445M  
RE 600

Part No.	Figure No.	Page No.
39166311	4	42
39166311	6	42
39167204	25	14
39168004	4	24
39168004	22	26
39168004	9	65
39168104	15	37
39168104	15	73
39169801	15	70
39170207	5	46
39173719	16	48
39175315	7	42
39176511	16	52
39176511	8	53
39176511	16	71
39177304	7	63
39178101	30	77
39182712	10	33
39182712	15	33
39182712	8	54
39182812	19	34
39182912	5	33
39182912	11	48
39182912	9	56
39182912	4	68
39183012	17	52
39183012	9	53
39183012	3	56
39183911	5	70
39187411	14	20
39191204	9	35
39191204	29	36
39191204	5	66
39194304	35	77

Part No.	Figure No.	Page No.
39194404	13	53
39195104	11	67
39195504	12	53
39195804	2	66
39197015	13	15
39197015	19	22
39197015	11	23
39197215	4	65
39197215	14	67
39203804	13	48
39214704	21	14
39216812	16	12
39218520	3	15
39220804	13	68
39220804	14	73
39224020	3	48
39226405	12	1
39226405	5	25
39226405	14	30
39229515	13	56
39238315	6	65
39246417	5	48
39247915	18	45
39247915	21	77
39248415	8	63
39248415	8	64
39248415	12	64
39248415	13	64A
39251604	16	50
39253404	18	48
5101083	12	7
5101083	23	26
52BG0003	1A	37
52BG0018	1	42

## Part Index

RE 445M  
RE 600

Part No.	Figure No.	Page No.
59010005	14	59
59010007	2	59
59040048	13	11
59040048	22	18
59200012	7	55
AA101437	17	18
AA171006	3	55
AA171007	4	55
AA171009	5	55
AA171011	12	55
AA181022	3	51
AA181023	2A	51
AA201152	19	64A
AA201157	1A	72
AA201160	2A	72
AA201199	1	72
AA201201	2	72
AA201227	4	72
AA201239	6	75
AA201239	6	76
AA231022	2	64
AA231026	3	64
AB151014	2	46
AB151049	2	42
AB151051	5	42
AB151052	8	42
AB151054	5	44
AB151072	6	44
AB151126	1	46
AB171016	9	49
AB181011	3	51
AB181012	4	51
AB181017	8	51
AB181019	9	51

Part No.	Figure No.	Page No.
AB181020	10	51
AB181022	11	56
AB181023	12	56
AB181033	5	51
AB201076	12	73
AB201077	13	75
AB201077	13	76
AB231008	10	64
AB231009	9	64
AF201094	8	75
AF201094	8	76
AF201146	12	75
AF201146	12	76
AH171003	1	55
AH171009	2	55
AK201012	10	73
AL101020	12	33
AL101025	9	1
AL121011	11	35
AL121060	2	35
AL121062	4	35
AL121068	6	35
AL121069	7	35
AL131006	7	17
AL131007	5	17
AL131020	18	22
AL131051	15	17
AL131058	6	21
AL131059	5	21
AL131074	17	16
AL131074	13	17
AL131081	12	20
AL151011	8	48
AL151012	9	48

## Part Index

RE 445M  
RE 600

Part No.	Figure No.	Page No.
AL151089	7	48
AL151168	6	63
AL151171	1	44
AL151172	1A	44
AL151186	3	42
AL151187	14A	42
AL161069	16	63
AL161152	16	68
AL161172	24	60
AL161180	19	71
AL161191	17	71
AL161208	13	63
AL161226	5	53
AL161229	6	53
AL161311	21	71
AL161312	22	71
AL161344	15	44
AL161362	11	59
AL161374	20	71
AL161379	9A	59
AL161384	7	59
AL161388	14	64
AL161498	19	60
AL161502	23	60
AL161503	22	60
AL171047	1	49
AL171048	7A	49
AL171049	10A	49
AL171051	14	49
AL171058	11	49
AL171067	19	50
AL171081	10	49
AL171091	6	49
AL171093	5	49

Part No.	Figure No.	Page No.
AL171095	7	49
AL171104	13	49
AL171150	13A	49
AL181012	14	51
AL191007	3	62
AL191020	5A	59
AL191026	2	61
AL191038	1	61
AL191039	4	61
AL191040	6	62
AL191041	8	62
AL191043	1	59
AL201012	22	74
AL201017		70
AL201022	13	64
AL201023	18	74
AL201024	19	74
AL201027	8	70
AL201029	8	70
AL201031	10	75
AL201031	10	76
AL201032	3	70
AL201034	6	38
AL201038	11	73
AL201039	15	75
AL201039	15	76
AL201051	10	70
AL201060	3	75
AL201060	3	76
AL201061	1	75
AL201061	1	76
AL201062	5	75
AL201062	5	76
AL201065	1	70

## Part Index

RE 445M  
RE 600

Part No.	Figure No.	Page No.
AL201066	1A	70
AL201073	14A	75
AL201073	14A	76
AL201082	9	73
AL201083	14	68
AL201086	4	75
AL201086	4	76
AL201087	2	75
AL201087	2	76
AL201088	12	68
AL201100	17	60
AL241023	4	64
AL241025	1	64
AL241033	10	64A
AL241037	15	68
AL241065	21	64A
AL241184	14	64A
AL241185	15	64A
AL241188	22	77
AL241189	39	77
AL241190	26	77
AL241192	37	77
AL241193	32	77
AL241197	31	77
AL241201	27	77
AL241202	27A	77
AL241216	33	77
AL241217	34	77
AL241285	5	64
AL241285	10A	64A
AL171065	9	39
AN161074	4	73
AN161075	6	73
AP111023	17	14

Part No.	Figure No.	Page No.
AP121064	5	35
AP121074	20	22
AP151002	2	48
AP151015	1	40
AP151017	2	40
AP151019	1	48
AP151022	17	48
AP151025	4	48
AP151026	6	48
AP161038	1	53
AP161047	17	57
AP161048	1	56
AP161054	2	65
AP161072	9	70
AP161080	6	70
AP161082	7	70
AP171001	17	50
AP181013	14A	51
AP181016	1	51
AP181017	1A	51
AP191004	19	60
AP201012	9	75
AP201012	9	76
AP201058	11	68
AP201058	14	75
AP201058	14	76
AP220100	11	53
AT213001	12	66
AY141201	4	39
AY141202	5	39
AY141200	1	39
BA101072	1	10
BA101136	3	27
BA101140	4A	27

## Part Index

RE 445M  
RE 600

Part No.	Figure No.	Page No.
BA102004	2	9
BA102005	5	9
BA102006	4	1
BA102007	4	9
BA102008	5	1
BA102009	8	1
BA102014	6	25
BA102016	13	25
BA102017	7	25
BA102019	8	25
BA102020	9	25
BA102021	3	25
BA102022	10	25
BA102023	4	25
BA102025	7A	25
BA102026	7A	25
BA102027	20	26
BA102027	8	32
BA102029	2	29
BA102030	1	27
BA102033	3	27
BA102034	4	27
BA102036	6	27
BA102038	7	9
BA102038	15	15
BA102038	14	28
BA102042	16	28
BA102043	2	28
BA102047	10	28
BA102048	6	2
BA102054	2	2
BA102055	5	2
BA102061	4	3
BA102062	5	3

Part No.	Figure No.	Page No.
BA102063	6	3
BA102064	9	3
BA102066	8	3
BA102067	1A	4
BA102068	2	4
BA102069	4B	4
BA102070	3B	4
BA102071	5	4
BA102072	6	4
BA102074	7	5
BA102075	1	5
BA102076	5	5
BA102077	2	5
BA102078	3	5
BA102079	1	10
BA102084	9	10
BA102085	12	32
BA102086	14	32
BA102087	2	6
BA102087	13	32
BA102088	1	32
BA102090	3	32
BA102096	10	24
BA102099	7	4
BA102099	4	23
BA102100	7	23
BA102104	3	24
BA102113	12	11
BA102126	10	4
BA102127	7	10
BA102128	11	32
BA102129	3	2
BA102130	9	4
BA102131	5B	9

## Part Index

RE 445M  
RE 600

Part No.	Figure No.	Page No.
BA102132	5A	9
BA102146	21	22
BA102146	12	28
BA102147	13	28
BA102149	1	2
BA102150	2	3
BA102156	7	32
BA102156	10	32
BA102161	8	33
BA102174	9A	3
BA102175	1B	4
BA102176	9	9
BA102183	17	8
BA102186	18	8
BA102187	19	8
BA102203	3	30
BA102205	3C	4
BA102206	4C	4
BA102207	14	15
BA102207	22	22
BA102208	1	4
BA102215	13	23
BA102216	12	23
BA102222	2	32
BA102235	6	32
BA102238	7	2
BA102255	6	5
BA102259	1	28
BA102263	7	28
BA102264	1A	28
BA102265	21	26
BA102267	5	28
BA102269	7	3
BA102270	12	25

Part No.	Figure No.	Page No.
BA102277	12	7
BA102279	5	27
BA102290	1	9
BA102293	8	10
BA102295	3	4
BA102296	4	4
BA102298	3A	4
BA102299	4A	4
BA102301	1A	27
BA111006	15	25
BA111016	14	23
BA111017	14	25
BA111023	2	23
BA122003	2	30
BA122005	5	30
BA122007	6	30
BA122008	7	30
BA122009	7A	30
BA122010	10	30
BA122011	11	30
BA122012	12	30
BA122013	13	30
BA122014	17	31
BA122017	1	6
BA122029	3	6
BA122032	5	6
BA122036	6	6
BA122038	7	6
BA122041	15	6
BA122043	11	6
BA122044	13	6
BA122045	14	6
BA122046	1	7
BA122047	4	7

## Part Index

RE 445M  
RE 600

Part No.	Figure No.	Page No.
BA122048	5	7
BA122049	7	7
BA122050	11	7
BA122053	13	7
BA122062	14	35
BA122064	12	35
BA122078	4	30
BA122135	3	37
BA122140	6	37
BA122141	7	37
BA122142	8	37
BA122143	15	10
BA122143	9	37
BA122143	13	37
BA122159	16	31
BA122174	7B	30
BA122201	10	6
BA122202	17	8
BA122204	4	10
BA122205	3	10
BA122206	9	32
BA122209	14	11
BA122210	11	11
BA122212	12	10
BA122213	13	10
BA122214	20	8
BA122216	13	7
BA132012	10	15
BA132022	4	11
BA132022	7	11
BA132045	4	19
BA132048	8	19
BA132049	9	19
BA132064	6	17

Part No.	Figure No.	Page No.
BA132088	10	19
BA132088	15	20
BA132104	8	11
BA132116	9	20
BA132122	2	11
BA132122	2	15
BA132122	17	22
BA132126	6	19
BA132134	7	15
BA132141	14	13
BA132160	2	17
BA132188	2	19
BA132189	12	17
BA132189	23	22
BA132191	4	15
BA132201	9	21
BA132257	8	15
BA132257	14	21
BA141013	2	38
BA141017	14	10
BA141017	10	37
BA141019	7A	38
BA141033	5	30
BA161029	16	74
BA161030	7	33
BA161031	16	34
BA161134	15	44
BA171007	6	54
BA171008	11	54
BA171009	4	54
BA191029	8	46
BA201001	1	73
BA201006	5	23
BA201006	9	23

## Part Index

RE 445M  
RE 600

Part No.	Figure No.	Page No.
BA201006	5	24
BA201006	18	26
BA201017	7	73
BA201017	13	73
BA201017	20	74
BA201082	11	10
BA201130	3A	69
BB100902	10	24
BB101071	8	24
BB101081	3	1
BB101087	1	25
BB101090	11	25
BB101091	13A	25
BB101092	1A	2
BB101094	1	3
BB101095	3	3
BB111007	1	23
BB111009	14A	25
BB121029	8	35
BB121042	10	35
BB121042	16	36
BB121043	1	37
BB121047	4	37
BB121048	5	37
BB121049	2	37
BB121050	11	37
BB121079	1A	6
BB121080	6A	6
BB121082	7A	6
BB121083	9A	6
BB121084	10A	6
BB121085	11A	6
BB121086	6A	30
BB121093	16A	31

Part No.	Figure No.	Page No.
BB121094	10A	30
BB121097	14A	6
BB121099	19	31
BB122218	2	7
BB131024	14	39
BB131040	15	39
BB131199	11	21
BB141024	12	37
BB141038	11A	38
BB201030	3	73
BB211012	1A	65
BB221004	8	65
BB551615	4B	21
BG101001	1	33
BG111047	1A	63
BG113000	5	63
BG113402	2	33
BG113403	11	33
BG113405	2A	33
BG113802	14	70
BG113803	14A	70
BG113804	11	42
BG113805	2	73
BG122000	10	54
BG131003	7	43
BG131802	4	62
BG131806	14	42
BG141233	16	39
BG141239	13	39
BG141243	6	39
BG141246	7	39
BG141252	10	39
BG141253	10A	39
BG141254	11A	39

## Part Index

RE 445M  
RE 600

Part No.	Figure No.	Page No.
BG151000	14	58
BG151001	1B	58
BG161000	7	58
BG161201	5	61
BG161204	7	61
BG161205	6	61
BG161207	3A	62
BG161208	2A	62
BG161209	1	62
BG161210	4A	59
BG171005	1A	38
BG171006	1	38
BG171800	10	38
BG171802	14	37
BG171803	11	38
BG191000	14	65
BG191001	2A	65
BG201000	6	68
BG201001	1	64A
BG221000	1B	63
BG221003	20	67A
BG231000	18	68
BG231601	2	68
BG231602	1	68
BG232601	2A	63
BG233002	3	63
BG351601	11	24
BG351602	8	23
BG401401	11	75
BG401401	11	76
BG402211	3	69
BG402212	1A	69
BG402213	2A	69
BG402214	21	74

Part No.	Figure No.	Page No.
BG402606	3	38
BG403200	8	73
BG501001	1	1
BG501002	11	1
BG501003	1	30
BG501005	1A	1
BG541200	1	24
BG541201	9	24
BG551001	1A	19
BG551004	3	19
BG551005	5	19
BG551006	6	11
BG551007	9	11
BG551009	13	20
BG551010	16	18
BG551012	10	20
BG551028	9	11
BG551030	1B	19
BG551200	2	20
BG551201	1	20
BG551202	1A	20
BG551202	1A	21
BG551203	8	20
BG551221	11	19
BG551222	3	20
BG551223	4	20
BG551224	5	20
BG551402	18	14
BG551404	3	13
BG551405	6	13
BG551406	1	12
BG551407	2	12
BG551411	3	12
BG551412	4	12

## Part Index

RE 445M  
RE 600

Part No.	Figure No.	Page No.
BG551413	5	12
BG551415	7	12
BG551416	8	12
BG551417	9	12
BG551418	18A	16
BG551421	4	13
BG551422	7	13
BG551424	15	12
BG551425	11	12
BG551426	14	12
BG551430	23	14
BG551431	3A	13
BG551600	1	21
BG551613	2	21
BG551614	10	21
BG551618	4A	21
BG552000	1A	15
BG552005	16	14
BG552006	1	11
BG552007	15A	13
BG552011	21	18
BG552012	1	15
BG552018	15	13
BG552020	1	17
BG552026	1	13
BG552027	1A	13
BG552600	5	17
BG552601	8	19
BG561200	13	13
BG561202	2A	13
BG561211	2	13
BG561401	9A	13
BG561402	9	13
BG581000	1	35

Part No.	Figure No.	Page No.
BG581006	3	35
BG581404	18	36
BG581406	13	35
BG591000	1	29
BH111006	1	63
BH113400	1A	33
BH113402	8	33
BH161201	2	62
BH161202	4	59
BH161203	5	59
BH161204	1A	62
BH171600	7	38
BH191009	10	65
BH191017	1	65
BH191018	15	65
BH191019	7	65
BH191022	11	65
BH211012	6	67
BH211014	18	67A
BH211016	2	67
BH211051	3	67
BH211052	22	67A
BH211057	23	67A
BH211061	17	67A
BH211062	16	67A
BH211064	27	36
BH211091	1	67
BH211093	12	67
BH213000	1	66
BH213001	11	66
BH232600	2	63
BH233003	15	63
BH241401	10	67
BH241402	9	62

## Part Index

RE 445M  
RE 600

Part No.	Figure No.	Page No.
BH241402	21	67A
BH241800	4	67
BH241804	15	67
BH401004	7	72
BH401004	17	74
BH401400	18	18
BH402205	1	69
BH402206	2	69
BH402600	3A	38
BH402601	20	60
BH551000	2	1
BH551206	1	19
BH551602	25	22
BH551606	4	21
BH551608	1	21
BH581000	17	36
BH581003	15	35
BH581004	23	36
BH581005	20	36
BH581006	25	36
BH581007	24	36
BH581008	22	36
BH581010	21	36
BH581012	19	36
CE181015	6	59
CL201023	2	70
CM191049	5	58
CM201054	3	59
DD161013	9	42
DG161124	13	65
DG201084	10	73
DH101180	8	13
DH101195	10	12
DH101275	12	13

Part No.	Figure No.	Page No.
DL191020	8	59
DS101201	27	14
JA551422	12	12
KBUC0410	18	57
KHCA0418	16	6
KPBB6007	9	15
KPBB6007	13	21
LDA00002	8	6
LHC00001	15	58