

All information contained in this manual is based on the latest product information at the time of publication. Bajaj Auto Limited accepts no liability for any inaccuracies or omissions in this publication, although every possible care has been taken to make it as complete and accurate as possible. All procedures and specifications subject to change without prior notice. The right is reserved to make such changes at any time without prior notice and without incurring an obligation to make such changes to product manufactured previously. Contact your authorized Bajaj Dealer for the latest information on product improvements incorporated after this manual was issued.

We have pleasure in presenting the Spare Parts Catalogue for 'RE 600' Vehicles. This catalogue has been specially designed to assist you in selecting the correct parts to maintain your vehicle in best running condition.

The Bajaj spares are subjected to the stringent quality control standards to ensure longer life of the vehicle. It is therefore necessary that only the Genuine Bajaj Spares are used.

In a continual effort to improve performance and efficiency of the vehicle, Specifications, Diagrams, Illustrations and Part Numbers can change without notice. Consequently, the description in this Spare Parts Catalogue cannot therefore be final and binding on us.

The modifications/ alterations which are carried out after the issue of this catalogue, will be conveyed to you through our service circulars. You are requested to make necessary corrections in the parts catalogues as per the circulars so as to keep your catalogues up to date. This will ensure the appropriate and speedy delivery of the spare parts as the order placed will bear the latest part numbers.

In case, if you need any technical assistance contact the concerned Regional Office or write to us on the following address :

Service Department

Bajaj Auto Ltd.

Akurdi, Pune 411 035 India

Phone : 020-27406278

Fax : 020-27407385

E-mail : service@bajajauto.co.in

1. How to Read the Catalogue : Open the catalogue and from the pictorial index locate the group in which the part you want to find is present. Turn over to the concerned page number (as given by pictorial index). Now find out the figure of the part you wish to order. Write down the part number against that particular figure number from the text.

In case, if you have the part number and you need the other details, the part index can be used. The part index (at the end of the catalogue) will give you the figure and page number of the part you wish to order.

2. How to Order Spare Parts : The part number and the description of the part required should be invariably mentioned in the order as per the catalogue text.

The latest part number as conveyed through our service circulars should only appear on the order. In case of ordering painted components, colour shade of the components should be mentioned.

The quantity shown against the part number is the quantity per vehicle for that group so that particular quantity should be multiplied by the number of sets required.

3. Part Number System: We have used 8 digit system for part numbers. The model or hardware item is indicated by first two digits or alphanumeric, the next two or four digits indicate main group and the last four or two digits indicate serial number in main group or serial number or subgroup of fastener respectively. Thus the part numbers will be indicated by 2-2-4 or 2-4-2 digit system. Understanding this system will enable you to identify the spare parts easily.

4. Abbreviations : The following abbreviations are used in this catalogue.

assly.	Assembly	V	Volts
N.I.	Not illustrated	W	Watts
C'case	Crankcase	accl.	Accelerator
Cyl	Cylinder	Comp.	Complete
o/s.	Over size	Fr	Front
Std.	Standard	L	Length
A/t.	Alternate	Rr	Rear
R.H.	Right hand	Hex.	Hexagonal
L.H.	Left hand	AR	As required

No.	Description	Page No.
1	Engine & Cylinder C'case	1
2	Camshaft Assly.	2
3	Piston & Connecting rod assly.	3
4	Crankshaft assly.	4
5	Weight balancer	5
6	Governor	6
7	Speed control levers	7,8
8	Cover C'case	9
9	Oil pump & filter	10
10	Clutch assly	11
11	Clutch cover assly	12
12	Main housing	13
13	Gear box cover	14
14	Housing coupling.	15
15	Main shaft assly.	16
16	Gear transmission	17
17	Differential gear assly.	18,19
18	Alternator & starter motor	20
19	Case sprial	21
20	Cylinder head	22,23
21	Rocker arm	24
22	Cylinder head cover	25
23	Silencer	26
24	Injection pump & nozzle holder	27
25	Oil cooler	28
26	Engine bracket	29
27	Air Filter Assembly	30
28	Fuel filter assly.	31
29	Universal Joints	32
30	Fuel tank assly	33
31	Rear Brake assly	34,35
32	Brake pipes	36
33	Wheel cylinder front	37
34	Wheel cylinder rear	38
35	Tandom master cylinder	39

No.	Description	Page No.
36	Brake pedal	40
37	Hand brake assembly	41
38	Front Brake Drum	42
39	Front shock absorber and linkage	43
40	Fork assly.	44
41	Rear Wheel axle assly	45
42	Trailing arm assly	46
43	Handle bar assly	47
44	Handle bar controls	48
45	Front mudguard	49
46	Chassis Tray	50
47	Wheel assly	51
48	Dashboard assly	52
49	Control Cables	53
50	Control Cables	54
51	Driver's cabon	55
52	Seat Assly	56
53	Windshield & wiper motor	57
54	Wiring harness	58
55	Head light & blinker assly	59
56	Tail lamp assly	60
57	Battery & fuse box	61
58	Switch & horn	62
59	Tool Kit	63
60	Doors	64,65

PLATE NO. : 1
ENGINE, CYLINDER CRANKCASE

PAGE NO.:
1

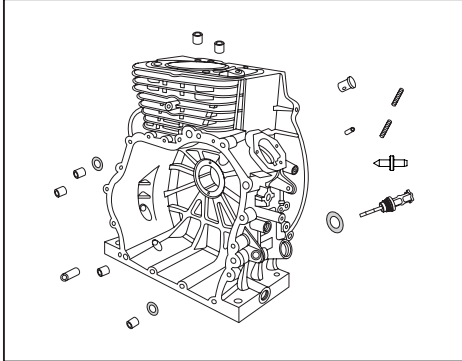


PLATE NO. : 3
PISTON & CONNECTING ROD ASSLY

PAGE NO.:
3

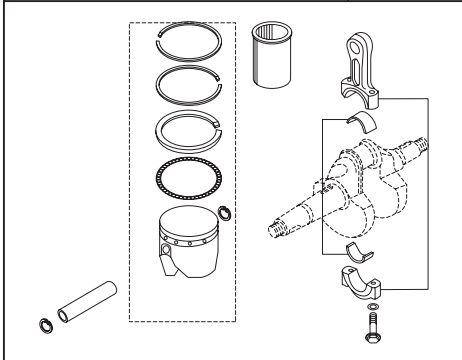


PLATE NO. : 5
WEIGHT BALANCER

PAGE NO.:
5

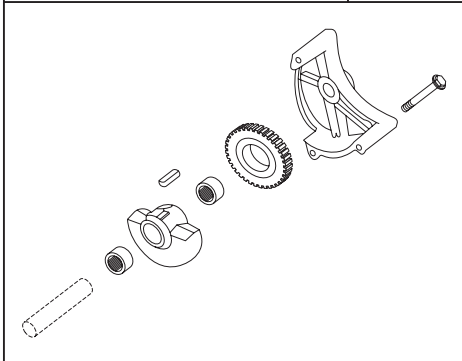


PLATE NO. : 2
CAMSHAFT ASSEMBLY

PAGE NO.:
2

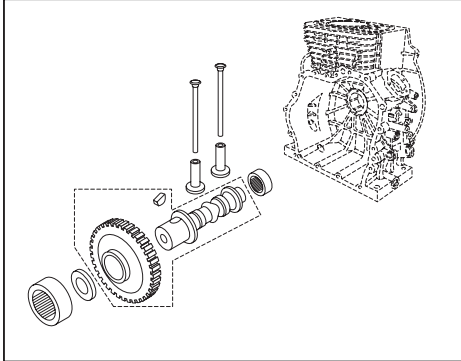


PLATE NO. : 4
CRANKSHAFT ASSEMBLY

PAGE NO.:
4

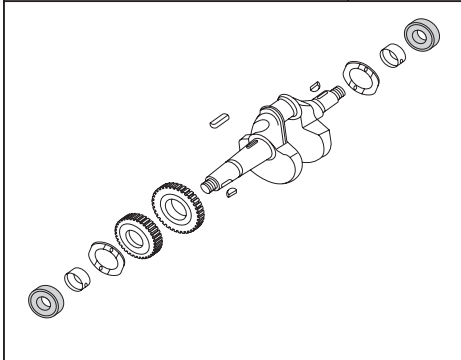


PLATE NO. : 6
GOVERNER

PAGE NO.:
6

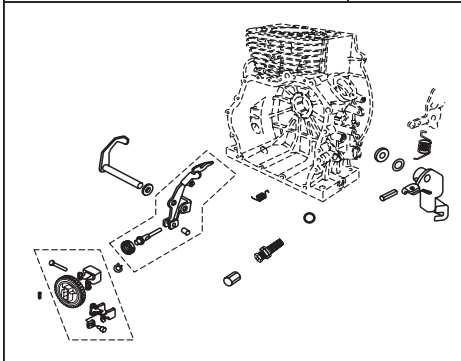


PLATE NO. : 7
SPEED CONTROL LEVERS

PAGE NO.:
7, 8

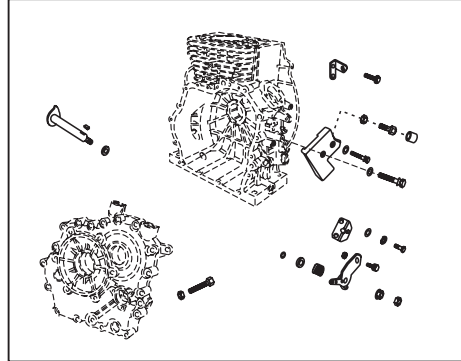


PLATE NO. : 9
OIL PUMP & OIL FILTER

PAGE NO.:
10

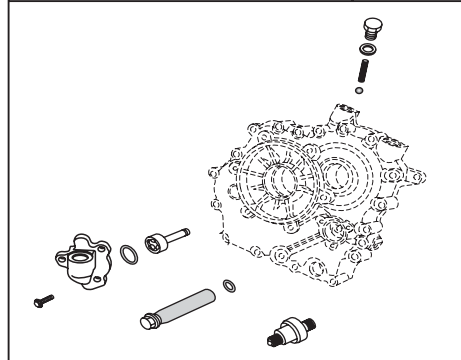


PLATE NO. : 11
CLUTCH COVER

PAGE NO.:
12

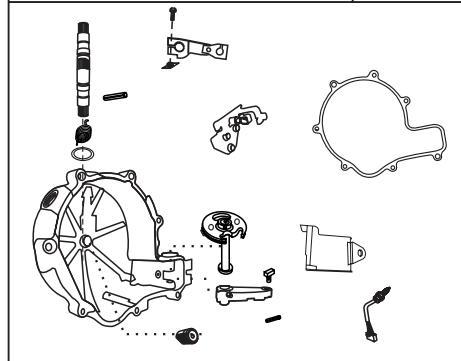


PLATE NO. : 8
COVER CRANKCASE

PAGE NO.:
9

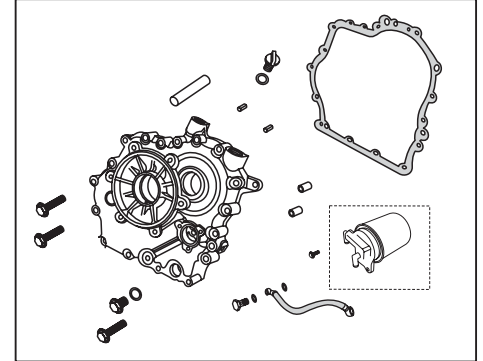


PLATE NO. : 10
CLUTCH ASSEMBLY

PAGE NO.:
11

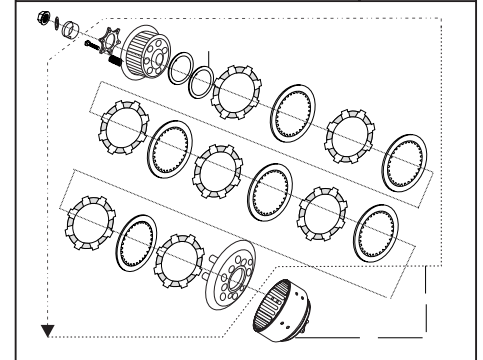


PLATE NO. : 12
MAIN HOUSING

PAGE NO.:
13

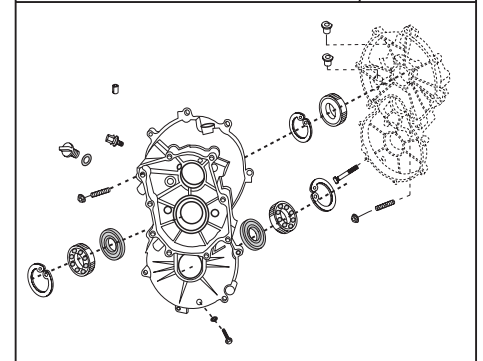


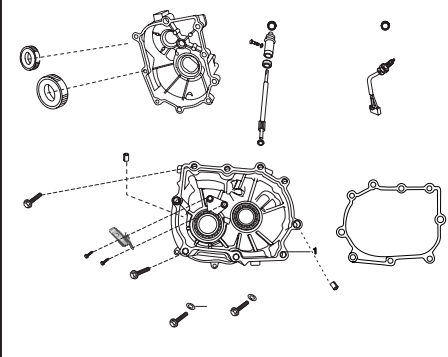
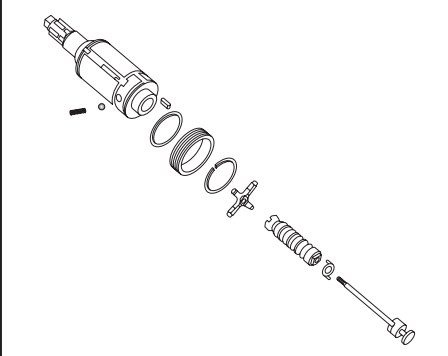
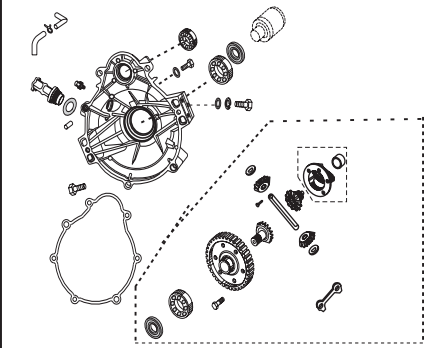
PLATE NO. : 13 GEAR BOX COVER	PAGE NO.: 14
	
PLATE NO. : 15 MAIN SHAFT ASSEMBLY	PAGE NO.: 16
	
PLATE NO. : 17 DIFFERENTIAL GEAR ASSEMBLY	PAGE NO.: 18,19
	

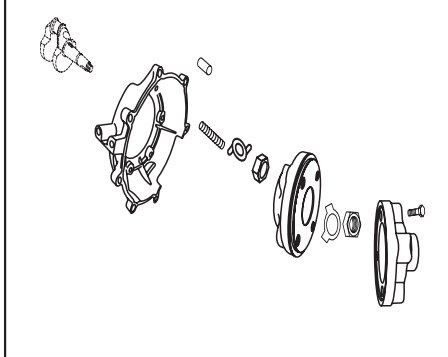
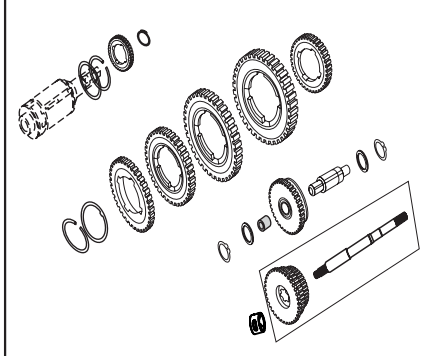
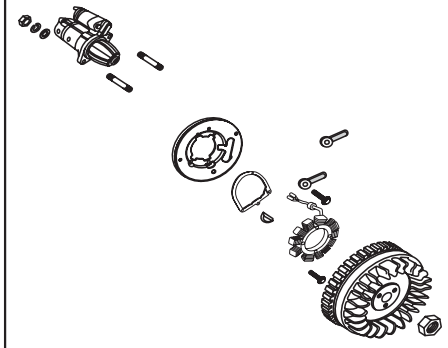
PLATE NO. : 14 HOUSING COUPLING	PAGE NO.: 15
	
PLATE NO. : 16 GEAR TRANSMISSION	PAGE NO.: 17
	
PLATE NO. : 18 ALTERNATOR & STARTER MOTOR	PAGE NO.: 20
	

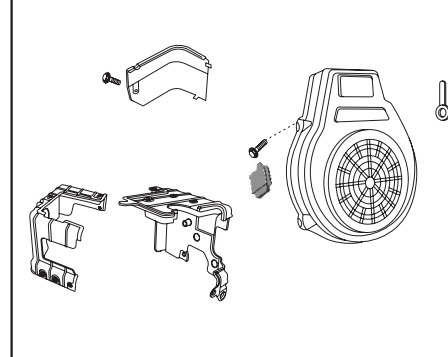
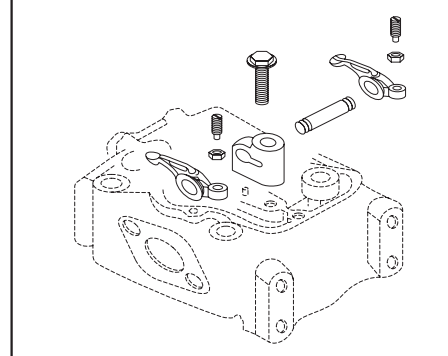
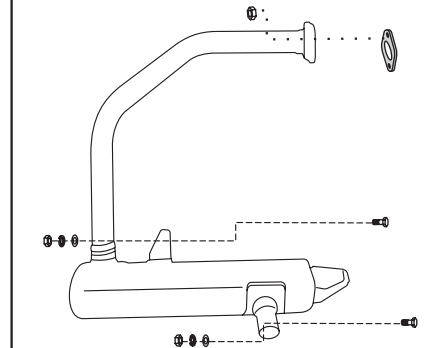
PLATE NO. : 19 CASE SPIRAL	PAGE NO.: 21
	
PLATE NO. : 21 ROCKER ARM	PAGE NO.: 24
	
PLATE NO. : 23 SILENCER	PAGE NO.: 26
	

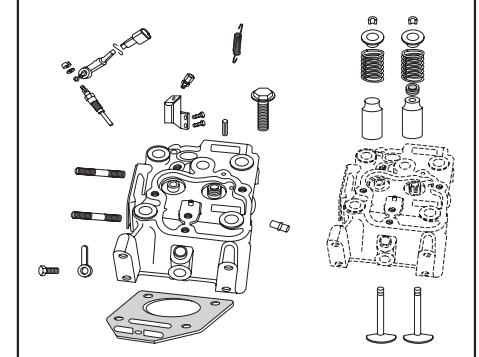
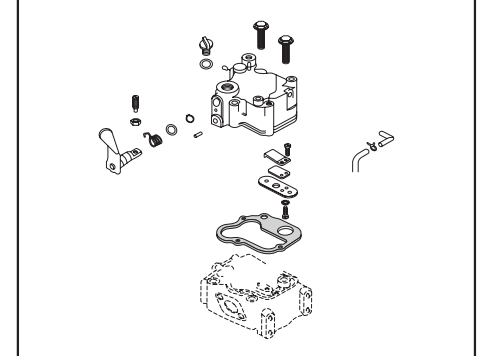
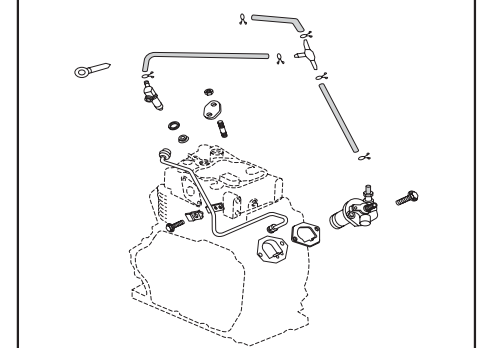
PLATE NO. : 20 CYLINDER HEAD	PAGE NO.: 22,23
	
PLATE NO. : 22 CYLINDER HEAD COVER	PAGE NO.: 25
	
PLATE NO. : 24 INJECTION PUMP & NOZZLE HOLDER	PAGE NO.: 27
	

PLATE NO. : 25
OIL COOLER

PAGE NO.:
28

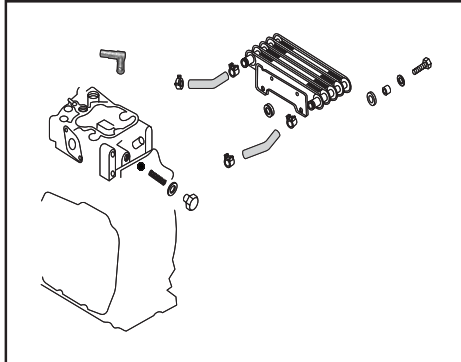


PLATE NO. : 27
AIR FILTER ASSEMBLY

PAGE NO.:
30

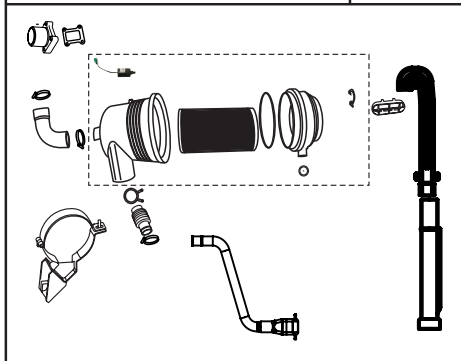


PLATE NO. : 29
UNIVERSAL JOINTS

PAGE NO.:
32

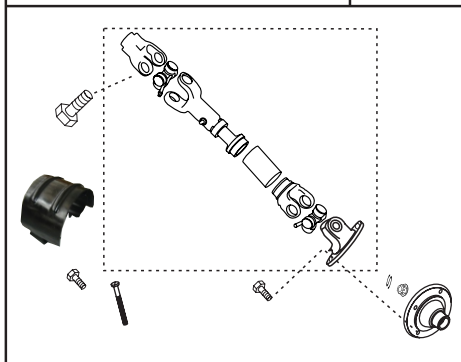


PLATE NO. : 26
ENGINE BRACKET & TIE ROD ASSLY

PAGE NO.:
29

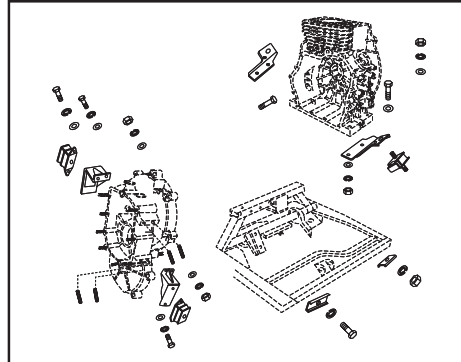


PLATE NO. : 28
FUEL FILTER ASSEMBLY

PAGE NO.:
31

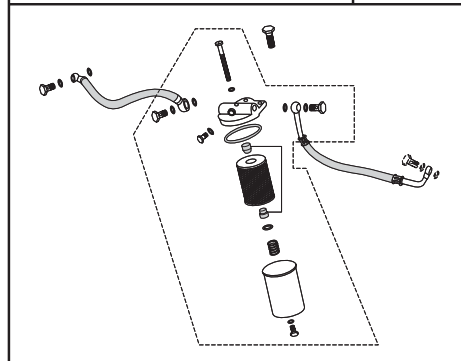


PLATE NO. : 30
FUEL TANK ASSEMBLY

PAGE NO.:
33

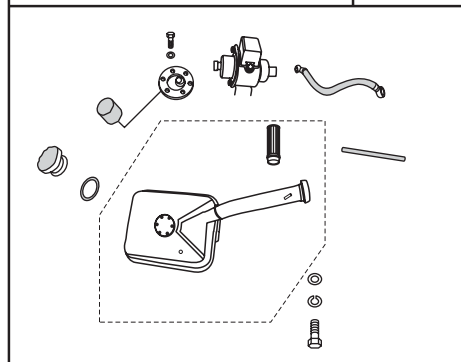


PLATE NO. : 31
REAR BRAKE ASSEMBLY

PAGE NO.:
34,35

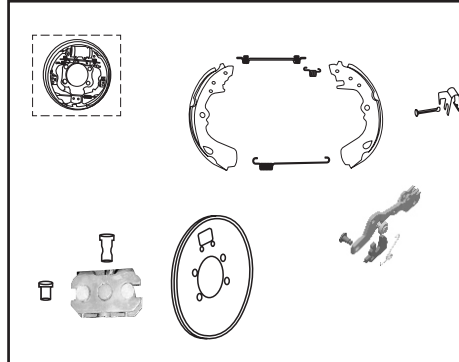


PLATE NO. : 33
WHEEL CYLINDER- FRONT

PAGE NO.:
37

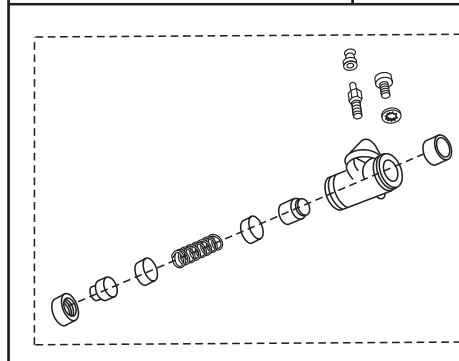


PLATE NO. : 35
TANDEM MASTER CYLINDER

PAGE NO.:
39

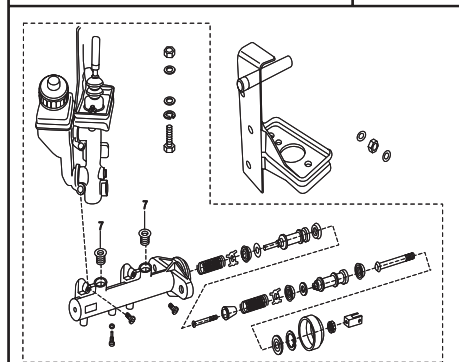


PLATE NO. : 32
BRAKE PIPES

PAGE NO.:
36

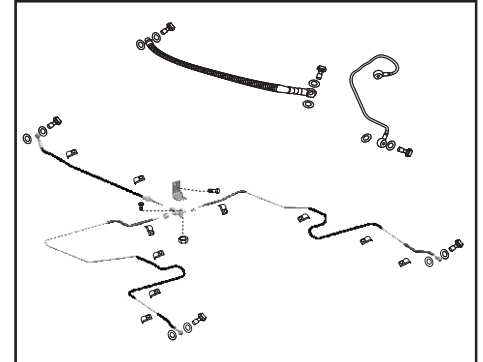


PLATE NO. : 34
WHEEL CYLINDER- REAR

PAGE NO.:
38

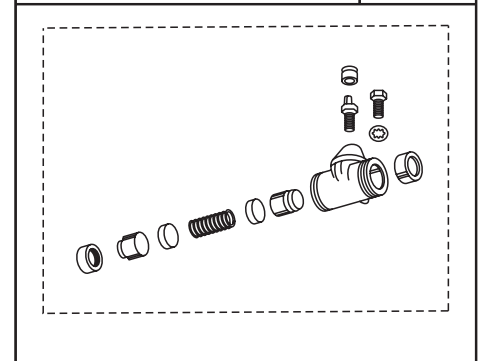


PLATE NO. : 36
BRAKE PEDAL

PAGE NO.:
40

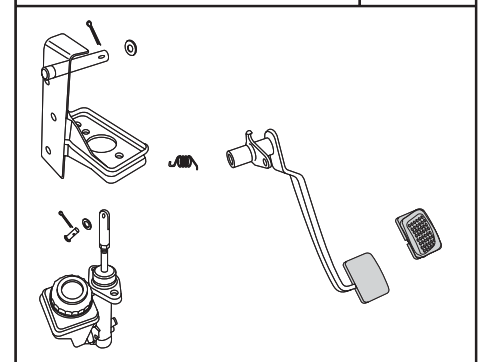


PLATE NO. : 37
HAND BRAKE ASSEMBLY

PAGE NO.:
41

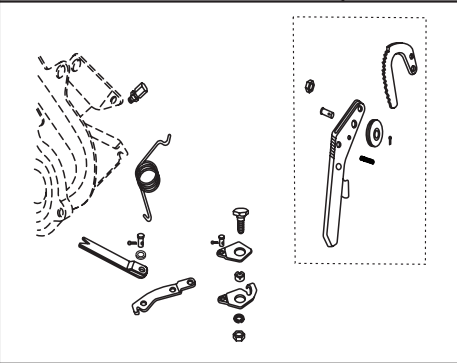


PLATE NO. : 39
FRONT SHOCK ABSORBER & LINKAGE

PAGE NO.:
43

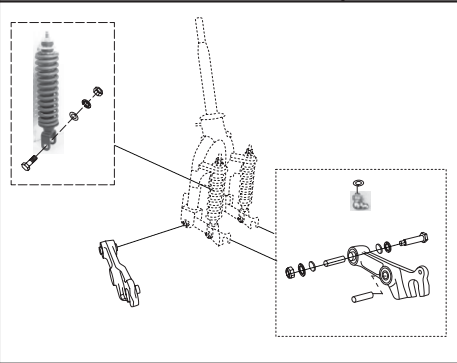


PLATE NO. : 41
REAR WHEEL AXLE/SHOCK ABSORBER

PAGE NO.:
45

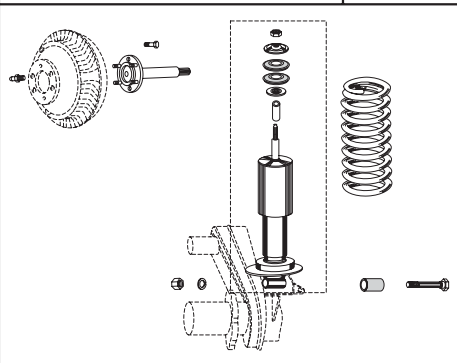


PLATE NO. : 38
FRONT BRAKE DRUM

PAGE NO.:
42

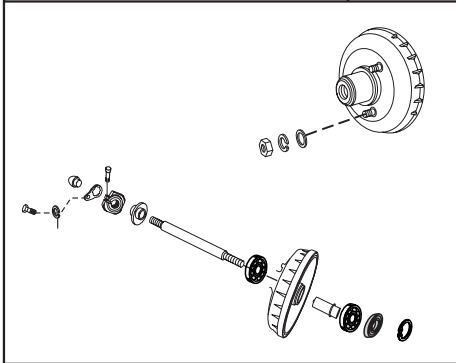


PLATE NO. : 40
FORK ASSEMBLY

PAGE NO.:
44

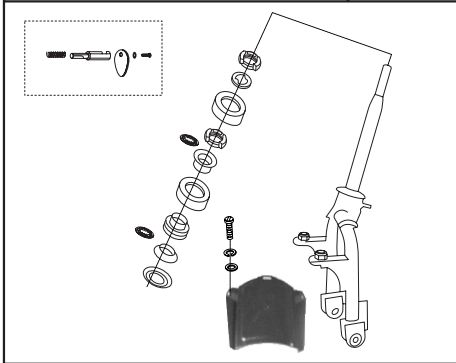


PLATE NO. : 42
TRAILING ARM ASSEMBLY

PAGE NO.:
46

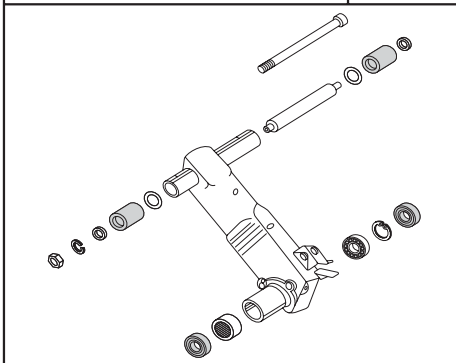


PLATE NO. : 43
HANDLE BAR ASSEMBLY

PAGE NO.:
47

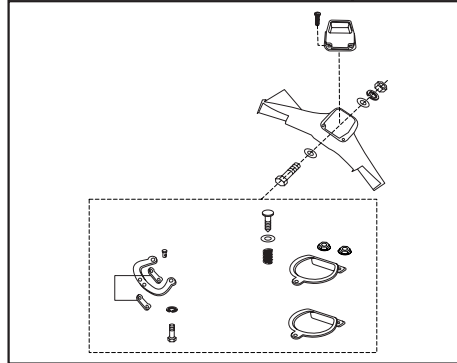


PLATE NO. : 45
FRONT MUDGUARD

PAGE NO.:
49

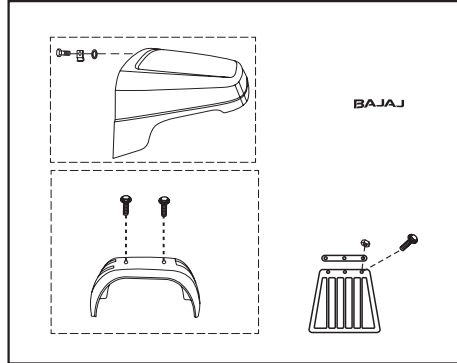


PLATE NO. : 47
WHEEL ASSEMBLY

PAGE NO.:
51

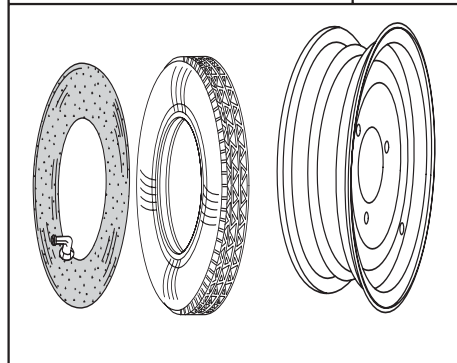


PLATE NO. : 44
HANDLE BAR CONTROLS

PAGE NO.:
48

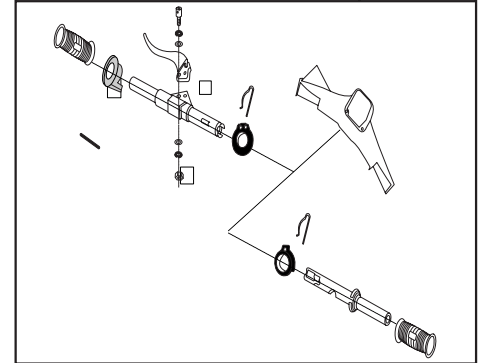


PLATE NO. : 46
CHASSIS / TRAY

PAGE NO.:
50

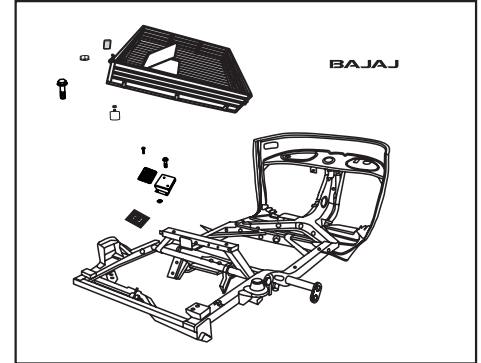


PLATE NO. : 48
DASHBOARD ASSEMBLY

PAGE NO.:
52

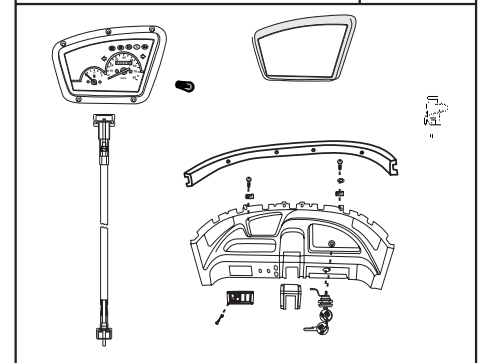


PLATE NO. : 49
CONTROL CABLES

PAGE NO.:
53

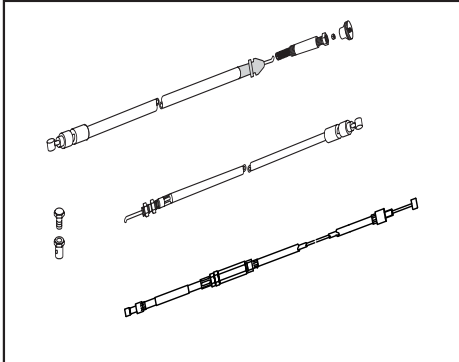


PLATE NO. : 51
DRIVER CABIN

PAGE NO.:
55

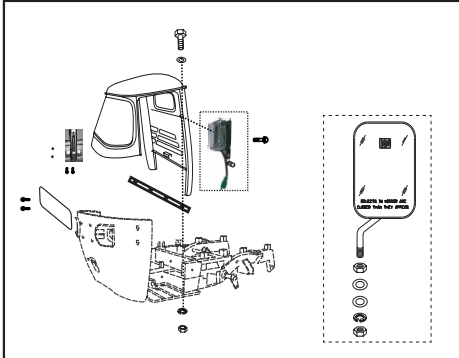


PLATE NO. : 53
WINDSHIELD & WIPER MOTOR

PAGE NO.:
57



PLATE NO. : 50
CONTROL CABLES

PAGE NO.:
54

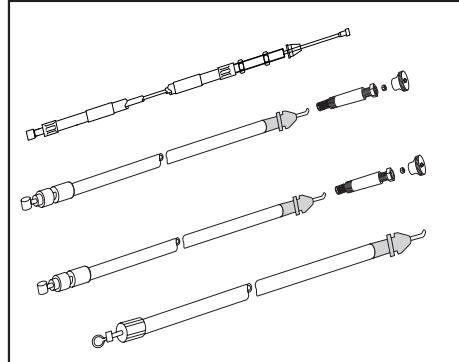


PLATE NO. : 52
SEAT ASSEMBLY

PAGE NO.:
56

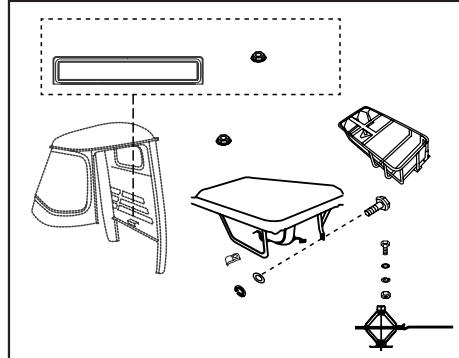


PLATE NO. : 54
WIRING HARNESS

PAGE NO.:
58

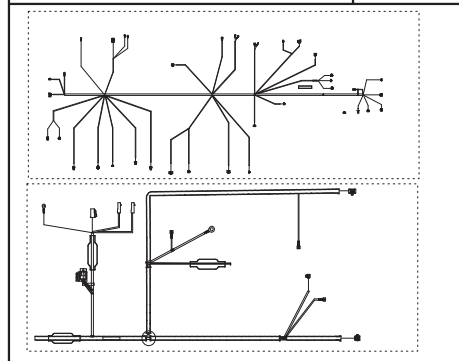


PLATE NO. : 55
HEAD LIGHT & BLINKER ASSEMBLY

PAGE NO.:
59

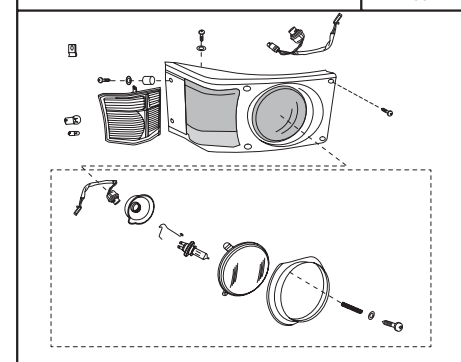


PLATE NO. : 57
BATTERY & FUSE BOX

PAGE NO.:
61

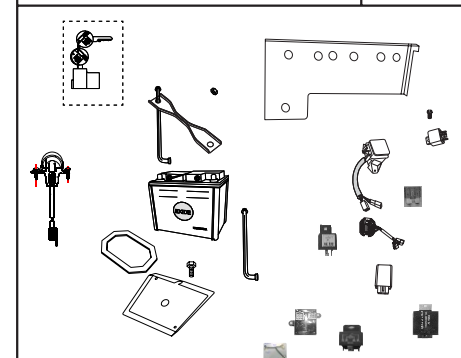


PLATE NO. : 59
TOOL KIT

PAGE NO.:
63

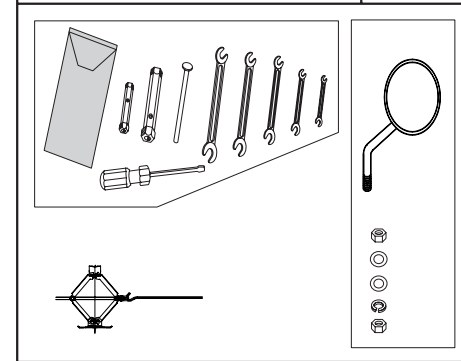


PLATE NO. : 56
TAIL LAMP ASSEMBLY

PAGE NO.:
60

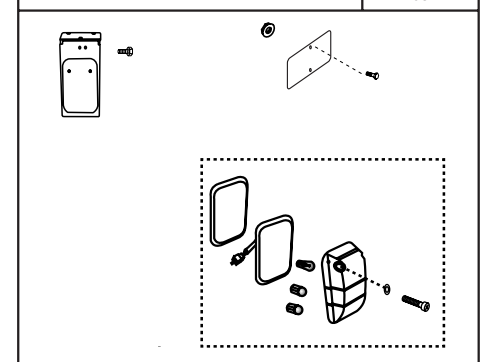


PLATE NO. : 58
SWITCH & HORN

PAGE NO.:
62

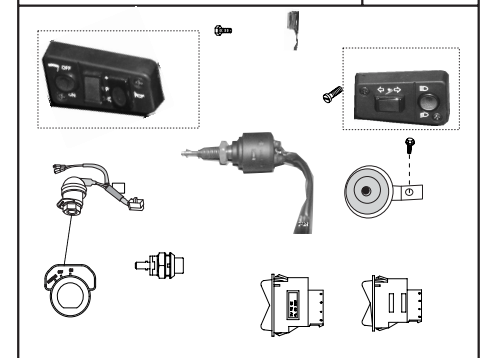
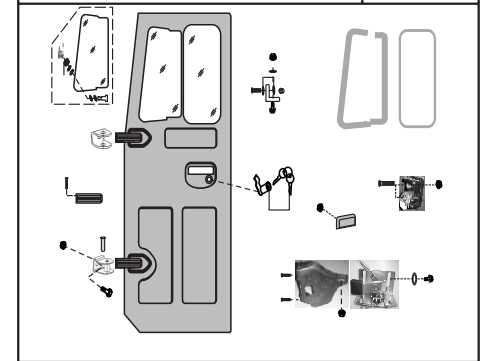
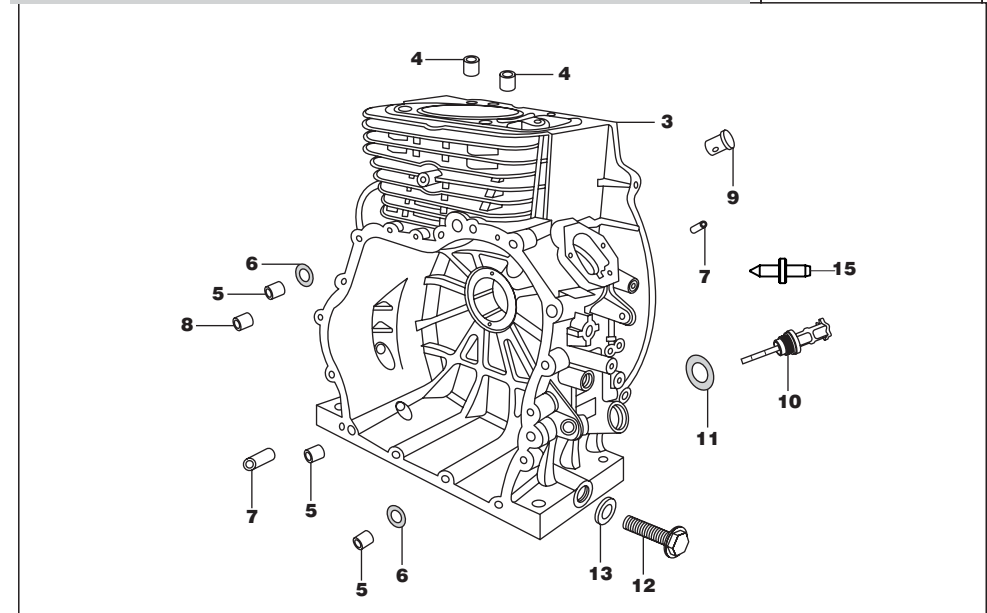


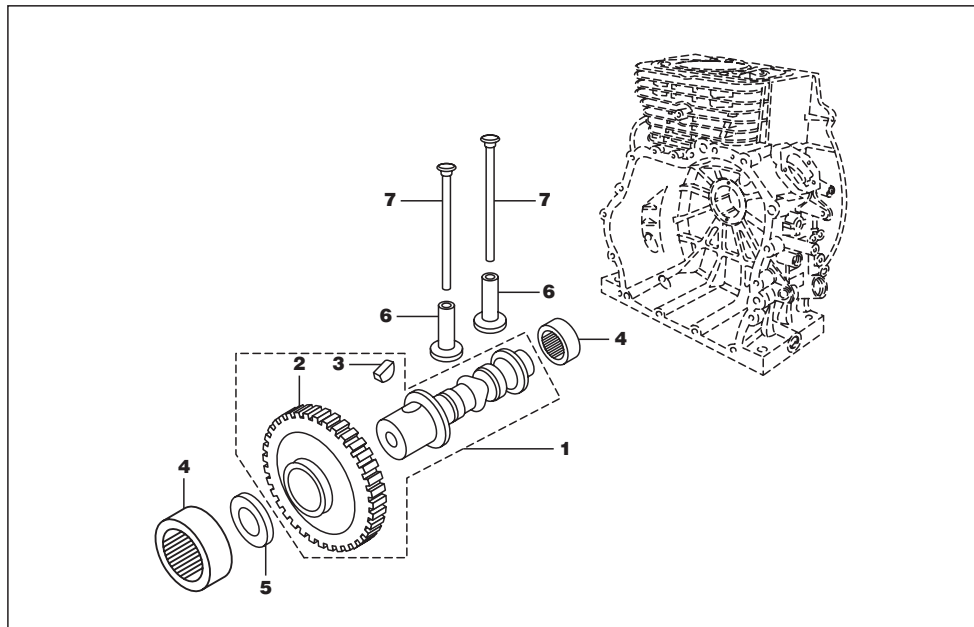
PLATE NO. : 60
DOORS

PAGE NO.:
64,65

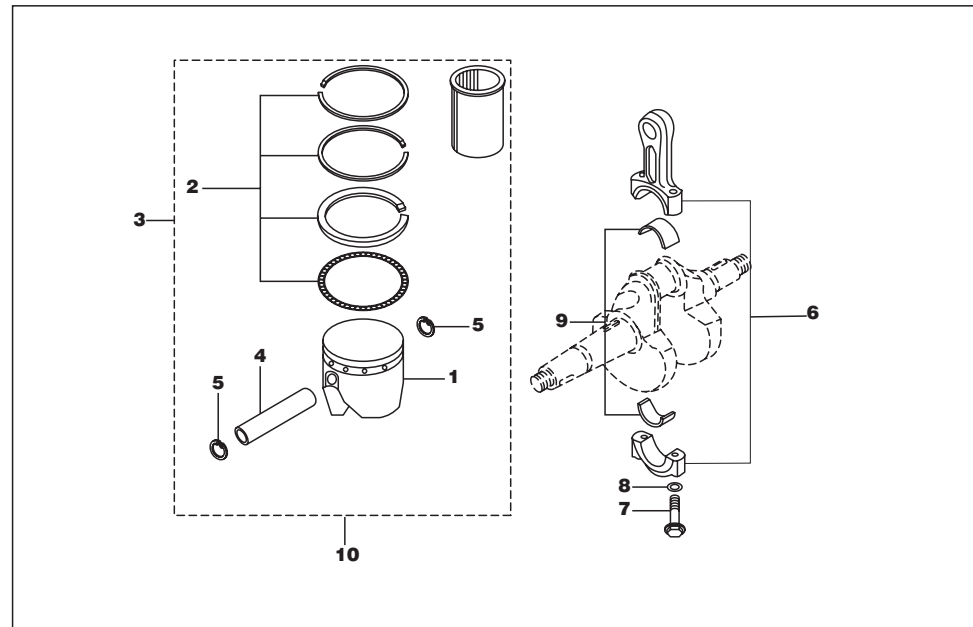




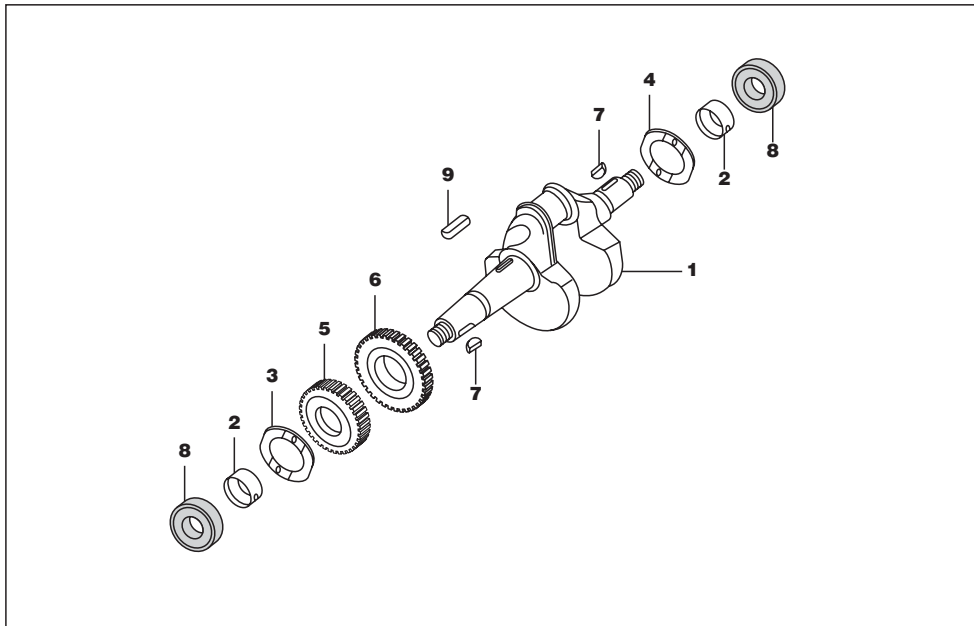
No.	Part No.	Description	Qty/veh	Remarks
1	BG 5010 01	Assly. Engine comp.	1	BSII. (It include C'case Cy.Block, piston, C'shaft, cam shaft, governor mechanism, cyl. head assly,oil filter, oil cooler etc.)
1a	BG 5010 05	Assly. Engine comp	1	For BSIII
2	BG 5510 00	Transmission comp.	1	N.I. (It includes, cltch assly, gear box assly & differential assly)
3	BA 1010 04	Assly cylinder c' case	1	BSII
3a	BB 1010 81	Assly cylinder c' case	1	For BSIII
4	BA 1020 06	Dowel pin	2	
5	BA 1020 08	Dowel pin	3	
6	39 1013 21	'O' ring	2	
7	39 1565 06	Spring dowel sleeve	4	
8	39 1569 06	Spring dowel sleeve	2	
9	BA 1020 09	Dowel pin	1	
10	BG 5010 04	Oil gauge	1	
10a	AL 1010 25	Oil gauge	1	BSIII
11	39 1562 21	'O' ring	2	
12	BA 1020 03	Plug	2	BSII
13	39 1445 25	Sealing ring	2	BSII
14	36 BA40 04	Kit cylinder block piston assly	1	Ki-cyl. crank case, piston assly
15	BG 5010 02	Locator ignition timing	1	



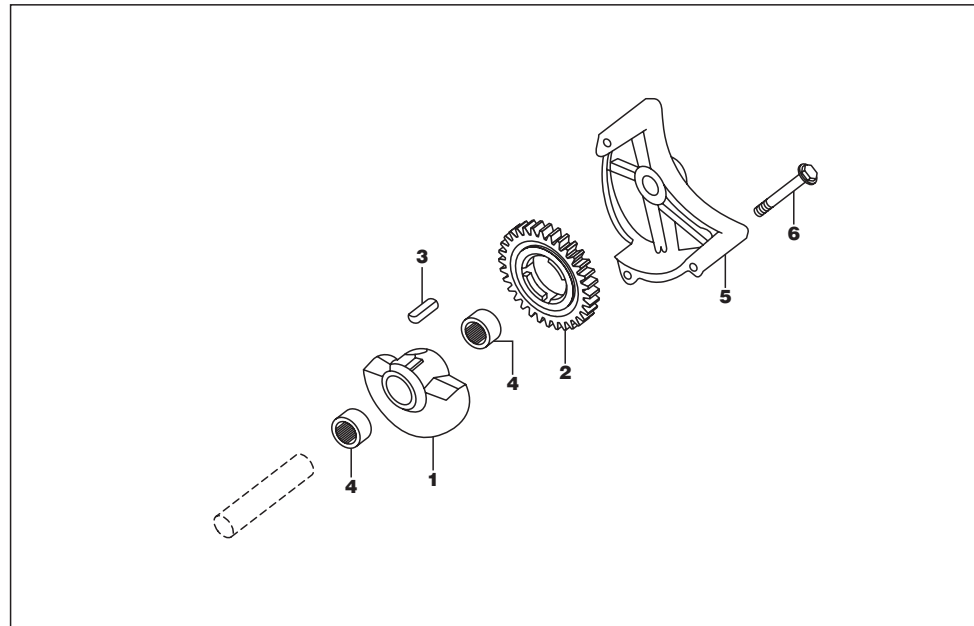
No.	Part No.	Description	Qty/veh	Remarks
1	BA 1021 49	Cam Shaft Assembly	1	BSII
1a	BB 1010 92	Cam Shaft Assembly	1	BSIII
2	BA 1020 54	Gear (Cam)	1	
3	BA 1021 29	Woodruff Key	1	
4	39 1436 20	Needle roller braring	1	
5	BA 1020 55	Shim (Cam Shaft)	1	
6	BA 1020 48	Tappet	2	
7	BA 1020 49	Push rods	2	
7a	BA 1022 38	Push rods	2	11.01.2010



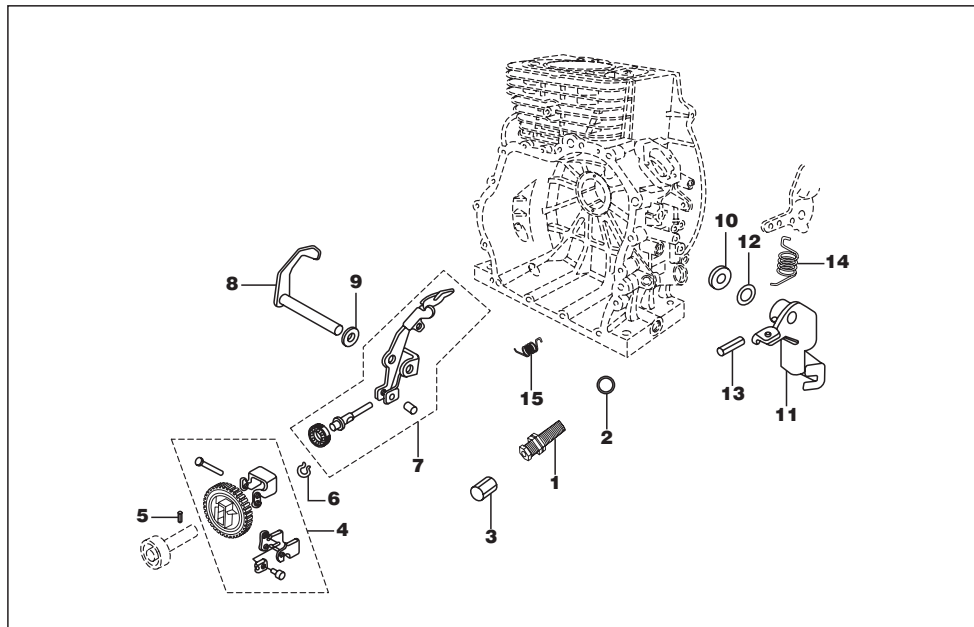
No.	Part No.	Description	Qty/veh	Remarks
1	BA 1020 56	Piston	1	for BSII
1a	BB 1010 94	Piston	1	for BSIII
2	BA 1021 50	Piston Ring set std	1	for BSII
3	BB 1010 95	Piston Ring Assembly	1	for BSIII
4	BA 1020 61	Piston Pin	1	
5	BA 1020 62	Piston Pin Circlip	2	
6	BA 1020 63	Assembly Con.Rod	1	
7	BA 1022 69	Bolt Connecting Rod	2	
8	BA 1020 66	Washer Connecting Rod	2	
9	BA 1020 64	Crank pin metal	1	
9a	BA 1021 74	Crank pin metal (Under size)	1	
10	36 BA40 01	Cylinder liner Kit	1	for BSII
10a	36 BA00 06	Cylinder liner Kit	1	for BSIII



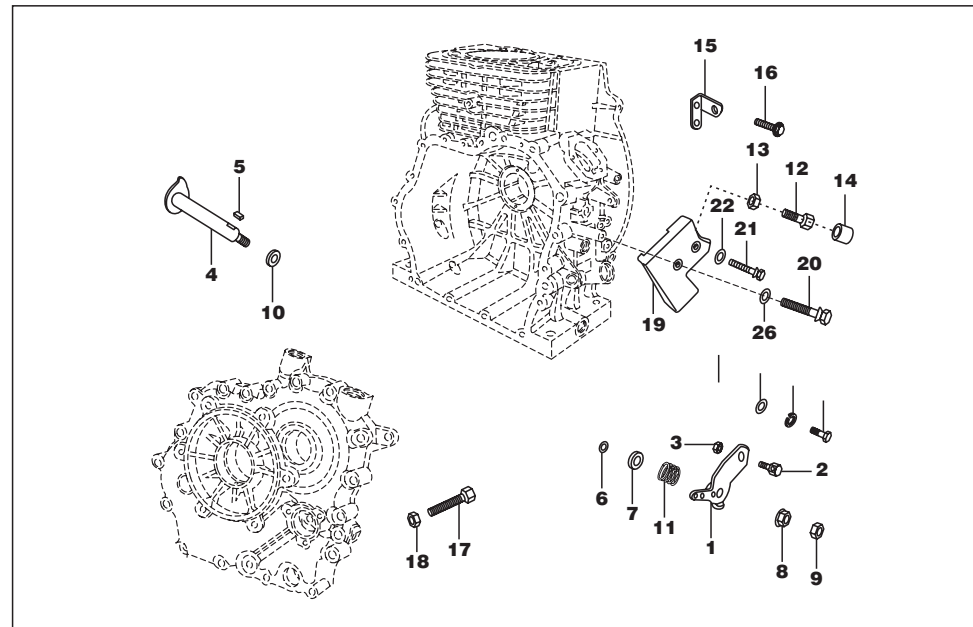
No.	Part No.	Description	Qty/veh	Remarks
1	BA 1021 19	Crankshaft complete	1	
1a	BA 1022 08	Crankshaft with gear assembly	1	
2	BA 1020 68	Bearing main crank shaft	2	
2a	BA 1021 75	Metal Crankshaft (Under size)	2	
3	BA 1020 69	Thrust washer (1)	1	
3a	BA 1022 95	Washer thrust- crank case	1	
3b	BA 1022 05	Thrust washer (1) - (Over size)	1	
4	BA 1020 70	Thrust washer (2)	1	
4a	BA 1022 06	Thrust washer (2) - (Over size)	1	
4a	Ba 1022 96	washer thrust- crank case	1	
5	BA 1020 71	Gear Crankshaft	1	
6	BA 1020 72	Gear 1 Balancer	1	
7	BA 1020 99	Woodruff key	2	For Magneto & Clutch flywheel
8	39 1499 19	Oil seal	2	
9	BA 1021 30	Feather Key (Balancer Gear)	1	
9a	BA 1021 26	Bush (crankshaft)	1	



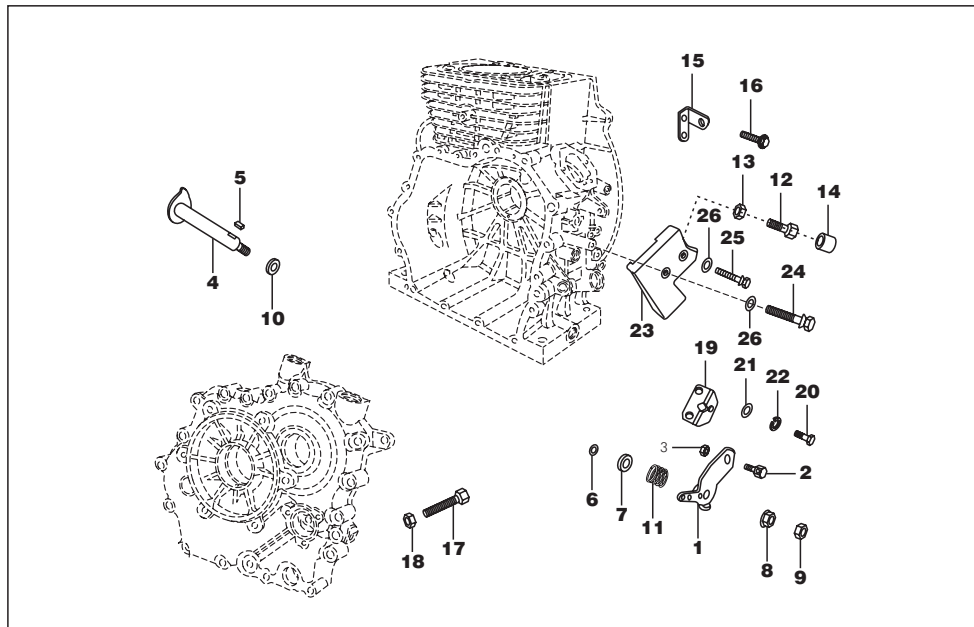
No.	Part No.	Description	Qty/veh	Remarks
1	BA 1020 75	Weight Balancer	1	
2	BA 1020 77	Gear (2 Balancer)	1	
3	BA 1020 78	Feather key for Balancer	1	
4	39 1435 20	Needle Roller Bearing	2	
5	BA 1020 76	Case Balancer	1	
6	BA 1022 55	Bolt pre coated	3	



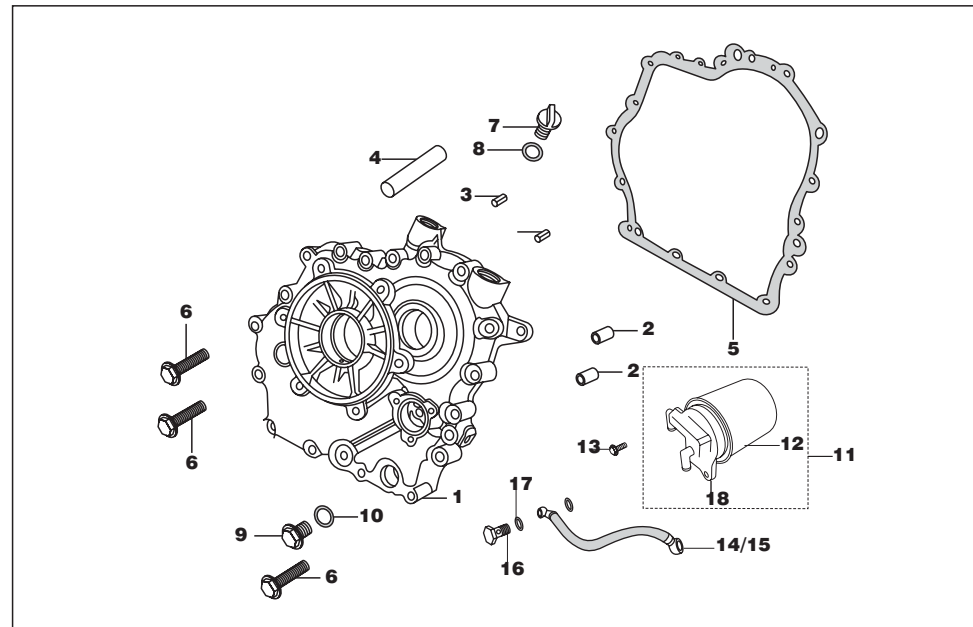
No.	Part No.	Description	Qty/veh	Remarks
1	BA 1220 17	Limiter device Assembly	1	
1a	BB 1210 79	Limiter device Assembly	1	for BSIII
2	BA 1020 87	Packing	1	
3	BA 1220 20	Cap Fuel limiting device	1	
4	BA 1220 29	Governor gear complete	1	
5	39 1570 06	Spring dowel sleeve	1	
6	BA 1220 32	Stopper	1	
7	BA 1220 36	Lever complete -1 (Governor)	1	
7a	BB 1210 80	Lever complete -1 (Governor)	1	for BSIII
8	BA 1220 38	Lever - 2 (Governor)	1	
8a	BB 1210 82	Lever - 2 (Governor)	1	for BSIII
9	BA 1220 41	Pin - governor shaft	1	
9a	LD A000 02	washer plain small	1	for BSIII
10	39 1498 19	Oil seal	1	
10a	BB 1210 83	Oil seal- Shaft Governor	1	for BSIII
11	BA 1222 01	Lever 3 (Governor)	1	
11a	BB 1210 84	Lever 3 (Governor)	1	for BSIII
12	BA 1220 43	Shim	2	
12a	BB 1210 85	Shim (Governor)	1	for BSIII
13	39 1567 06	Spring dowel sleeve	1	
14	BA 1220 44	Governor Spring	1	
15	BA 1220 45	Tension spring (Idling)	1	
15a	BB 1210 97	Tension spring (Idling)	1	for BSIII
15b	KH CA04 18	Pin-spring	1	



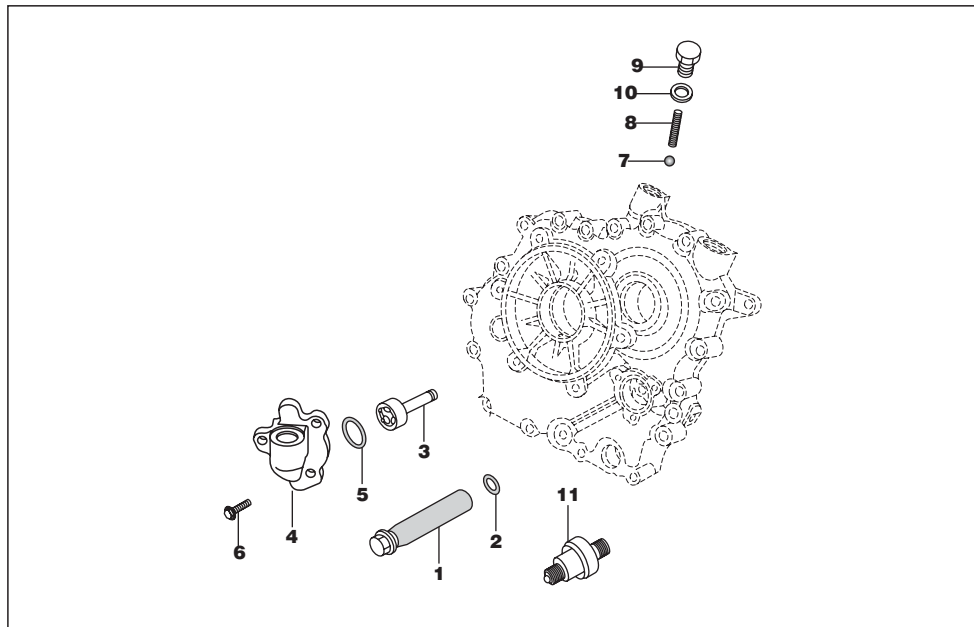
No.	Part No.	Description	Qty/veh	Remarks
1	BA 1220 46	Lever assembly control	1	
2	BA 1010 42	Screw special	1	
3	39 0326 15	Self locking nut	1	
4	BA 1220 47	Shaft complete (speed limit)	1	
5	BA 1220 48	Feather key	1	
6	39 1561 21	"O" ring	1	
7	BA 1220 49	Disc Friction	1	
8	39 1581 15	Flange nut	1	
9	39 1580 15	Hexagon nut	1	
10	39 1180 11	Plain washer	1	
11	BA 1220 50	Stop spring	1	
12	39 2317 04	Bolt - hexagon head :- m6	1	
13	BA 1220 51	Nut (lock)	1	
14	BA 1220 52	Cap	1	
15	BA 1222 16	Release holder	1	
15a	BA 1220 53	Release holder	1	
16	39 1680 04	Bolt - flange :- m6	2	
17	39 1547 04	Hexagon bolt	1	
18	39 1579 15	Hexagon nut	1	
19	BA 1220 83	Bracket (Engine stop)	1	
20	39 0119 04	Bolt	2	
21	39 1582 11	Plain washer	2	
22	39 0265 12	Spring washer	2	



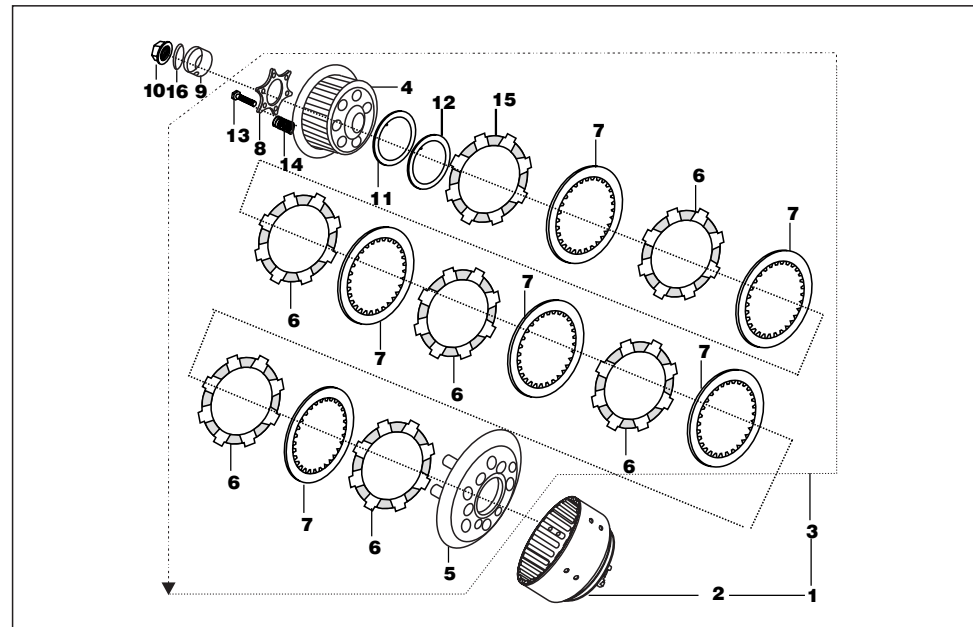
No.	Part No.	Description	Qty/veh	Remarks
23	BA 1222 02	Cover for governor lever	1	
24	BA 1021 86	Bolt (short) for mounting cover	1	For mounting cover- BA 1021 83
25	BA 1021 87	Bolt (Long) for mounting cover	1	For mounting cover- BA 1021 83
26	39 1573 11	Plain washer	2	



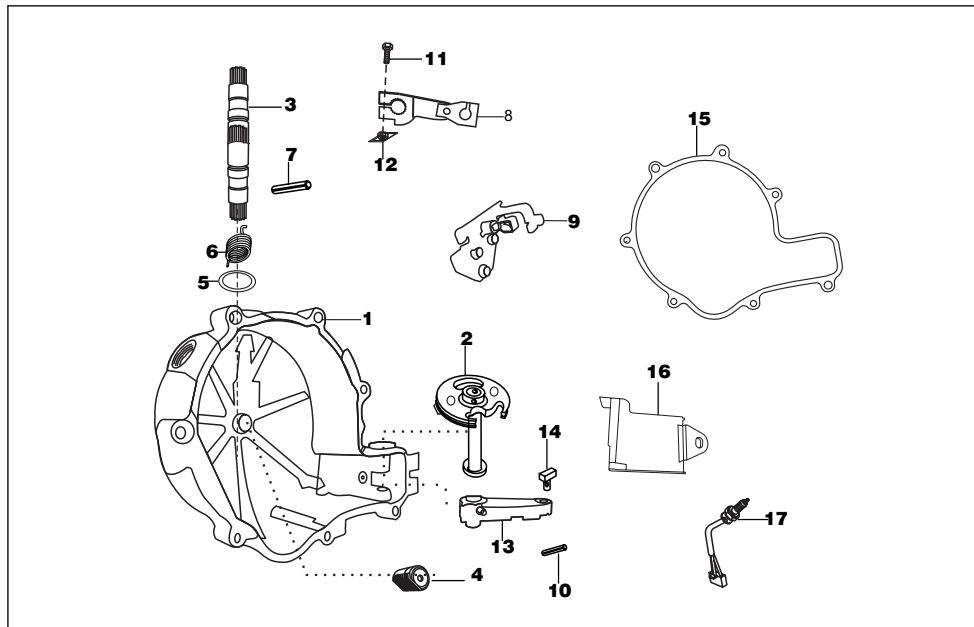
No.	Part No.	Description	Qty/veh	Remarks
1	BA 1022 90	Assembly cover C'case	1	
2	BA 1020 04	Plug	2	
3	39 1569 06	Spring dowel sleeve	2	
4	BA 1020 07	Shaft Balancer	1	
5	BA 1020 05	Gasket side cover (0.6 mm)	1	
5a	BA 1021 32	Gasket side cover (0.7 mm)	1	
5b	BA 1021 31	Gasket side cover (0.5 mm)	1	
6	39 1558 04	Flange bolt	17	
7	BA 1021 48	Plug oil filler	1	
8	39 1562 21	"O" ring	1	
9	BA 1021 76	Oil drain plug	1	
10	39 1564 21	'O' ring	1	
11	BA 1222 09	Assly oil filter	1	
12	BA 1021 13	Oil filter element	1	
13	59 0400 48	Flanged bolt	2	
14	BA 1222 12	Oil tube	1	C' case cover to filter
15	BA 1222 13	Oil tube	1	Filter to cover c' case
16	BA 1410 17	Banjo bolt	4	
17	BA 1221 43	Washer - copper (for spare part)	8	
18	BA 1222 10	Cover Oil Filter	1	



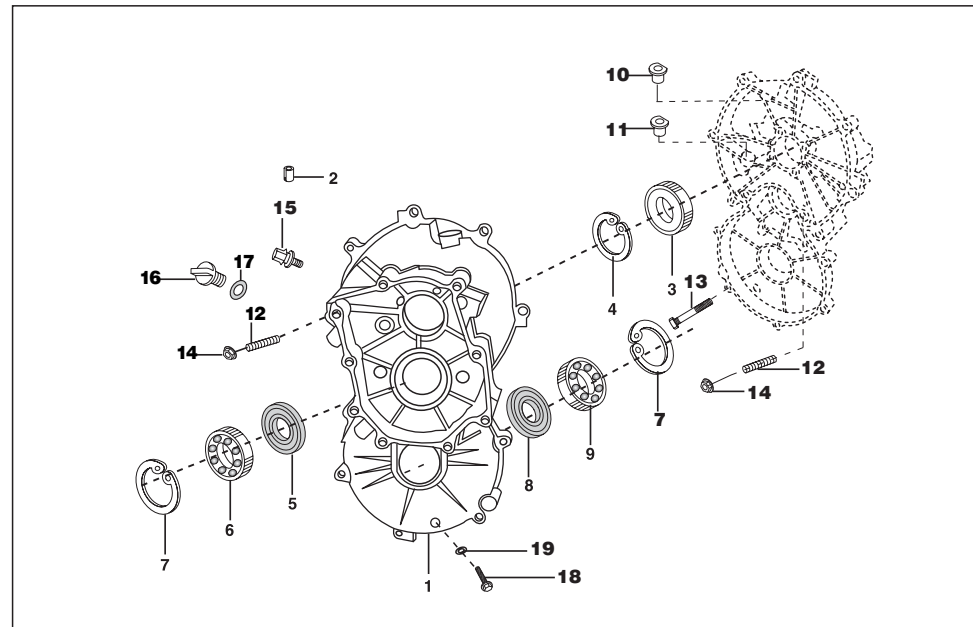
No.	Part No.	Description	Qty/veh	Remarks
1	BA 1020 79	Filter Oil	1	
2	39 1564 21	"O" Ring	1	
3	BA 1222 05	Rotor Assembly (Oil pump)	1	
4	BA 1222 04	Oil pump cover	1	
5	39 1497 21	"O" Ring	1	
6	39 1802 04	Bolt hexagon socket headl	3	
7	BA 1021 27	Ball	1	
8	BA 1022 93	Spring	1	
9	BA 1020 84	Plug	1	
10	39 1445 25	Sealing ring	1	
11	BA 2010 82	Oil Pressure switch	1	



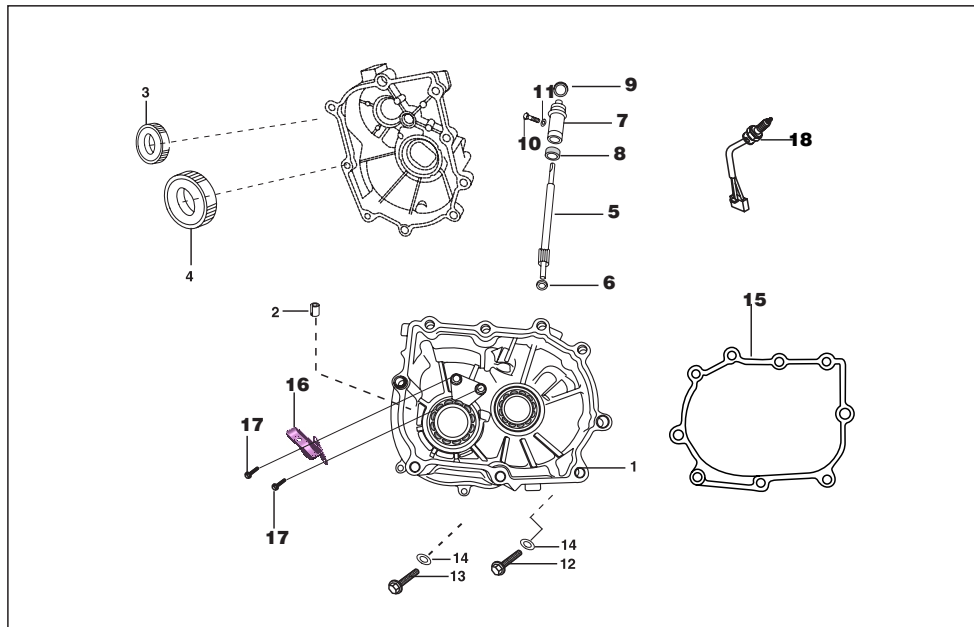
No.	Part No.	Description	Qty/veh	Remarks
1	BG 5514 06	Clutch assembly complete	1	
2	BG 5514 07	Housing complete clutch	1	
3	BG 5514 11	Clutch plate assly	1	
4	BG 5514 12	Hub clutch with insert	1	
5	BG 5514 13	Wheel clutch	1	
6	BG 5514 14	Plate Friction	6	
7	BG 5514 15	Plate clutch	6	
8	BG 5514 16	Holder clutch	1	
9	BG 5514 17	Assembly recess cup	1	
10	DH 1011 95	Nut - primary drive lock	1	
11	BG 5514 25	Judder Washer	1	
12	BG 5514 25	Judder spring	1	
13	39 0980 04	Bolt	4	
14	BG 5514 26	Spring	4	
15	BG 5514 24	Plate friction (Reduced)	1	
16	39 2168 12	Washer conical	1	



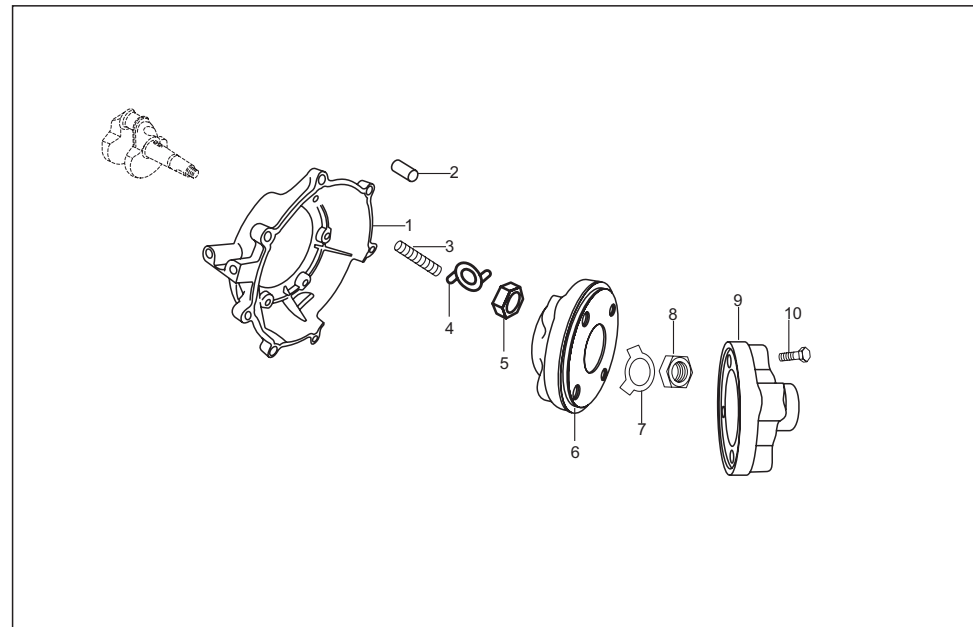
No.	Part No.	Description	Qty/veh	Remarks
1	BG 5520 23	Cover clutch	1	From 11.11.09
1a	BG 5520 26	Cover clutch	1	
1b	BG 5520 04	Cover clutch	1	Upto 10.11.09
2	BG 5612 09	Sector complete	1	From 11.11.09
2a	BG 5612 11	Lever sector complete	1	
2b	BG 5612 02	Sector complete	1	Upto 10.11.09
3	BG 5514 04	Shaft clutch release	1	
4	BG 5514 21	Rack clutch push	1	
5	03 1502 07	'O' Ring	1	
6	BG 5514 05	Spring clutch release	1	
7	39 0426 06	Spring type straight pin	1	
8	DH 1011 80	Clutch lever assly	1	
9	BG 5614 01	Bracket gear & rev cable	1	
9a	BG 5614 00	Bracket gear & rev cable	1	
10	39 2202 07	Pin Parallel -clutch shaft	1	
10a	BG 5514 22	Pin clutch shaft	1	
11	39 1674 04	Flange bolt	1	
12	DH 1012 75	Special nut	1	
13	BG 5612 00	Lever gear selector	1	
14	BA 1321 41	Slider block	1	
15	BG 5520 07	Clutch cover gasket	1	
16	BG 5520 05	Cover shifter	1	
17	AP 1110 23	Neutral switch	1	
18	BG 5514 02	Bracket Clutch Cable	1	N.I



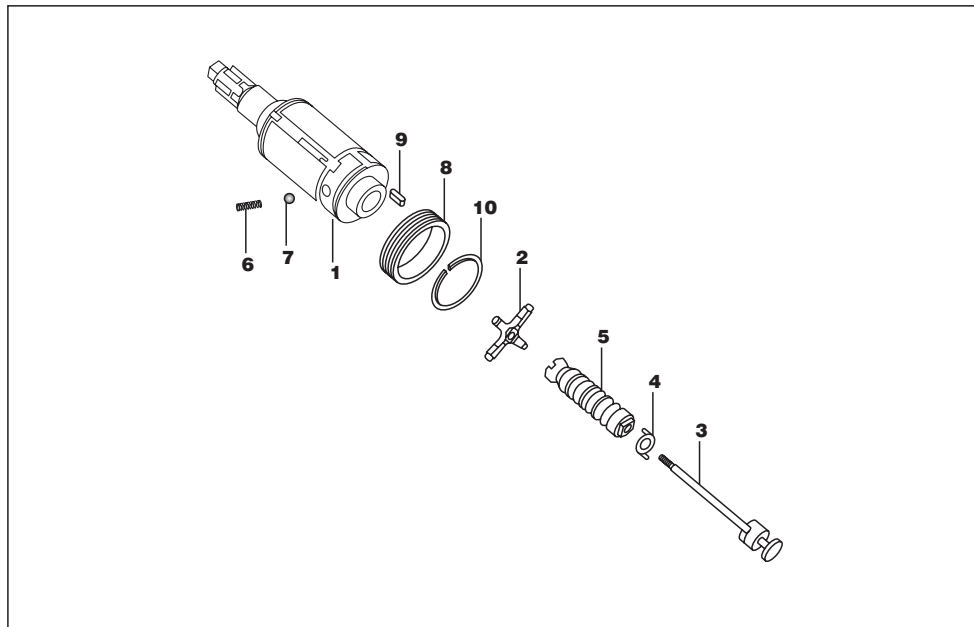
No.	Part No.	Description	Qty/veh	Remarks
1	BG 5520 00	Main housing	1	
2	BA 1321 22	Hallow dowel	2	
3	39 2185 20	Ball bearing	1	
4	BA 1321 91	Circlip (internal)	1	
5	39 1534 19	Oil seal	1	
6	39 1324 20	Ball bearing	1	
7	BA 1321 34	Circlip	1	
8	59 1900 02	Oil Seal	1	
9	KP BB60 07	Ball bearing	1	
10	BA 1320 12	Bush top	1	
11	BA 1320 13	Bush bottom	1	
12	39 1423 05	Stud	12	
13	39 1431 04	D bolt	3	
14	39 1970 15	Flange nut	14	
15	05 1010 51	Breather assembly	1	
16	BA 1320 38	Oil plug	1	
17	39 1585 11	O ring	1	
18	BA 1020 38	Oil plug	1	
19	39 1585 11	Plain washer	1	N.I
19a	BG 5520 12	Assembly main housing	1	



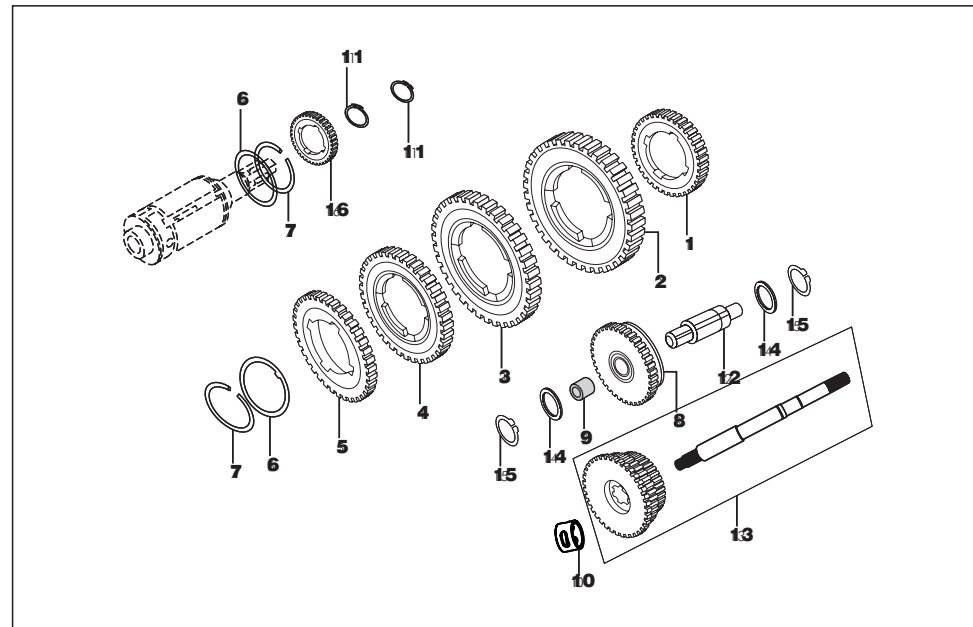
No.	Part No.	Description	Qty/veh	Remarks
1	BG 5520 20	Gear Box Cover	1	From 11.11.09
1a	BG 5520 03	Gear Box Cover	1	Upto 10.11.09
2	BA 1321 60	Pin (Gear box cover)	1	
3	24 1301 05	Ball bearing	1	
4	39 1487 20	Ball bearing	1	
5	BG 5526 00	Shaft Fare meter	1	
6	BA 1320 64	Washer	1	
7	AL 1310 06	Bush Fare meter	1	
8	39 1498 19	Oil seal	1	
9	39 1587 21	"O" Ring	1	
10	39 0778 04	Bolt	1	
11	39 0198 11	Plain washer	3	
12	BA 1321 89	Oil plug	1	
13	AL 1310 74	Oil plug	1	
14	39 1585 11	Plain washer	2	
15	AL 1310 51	Gasket Gear Box Cover	1	
16	BG 5510 10	Lubricator	1	
17	AA 1014 37	Flange bolt	2	For Mtg. lubricator assly.
18	BH 4014 00	Switch neutral	1	
19	03 1502 07	'O' Ring	1	
20	39 0999 06	Dowel pin oil pump	2	N.I
20a	BG 5520 11	Bolt pre coated	3	N.I
20b	59 0400 48	Bolt flange	6	N.I



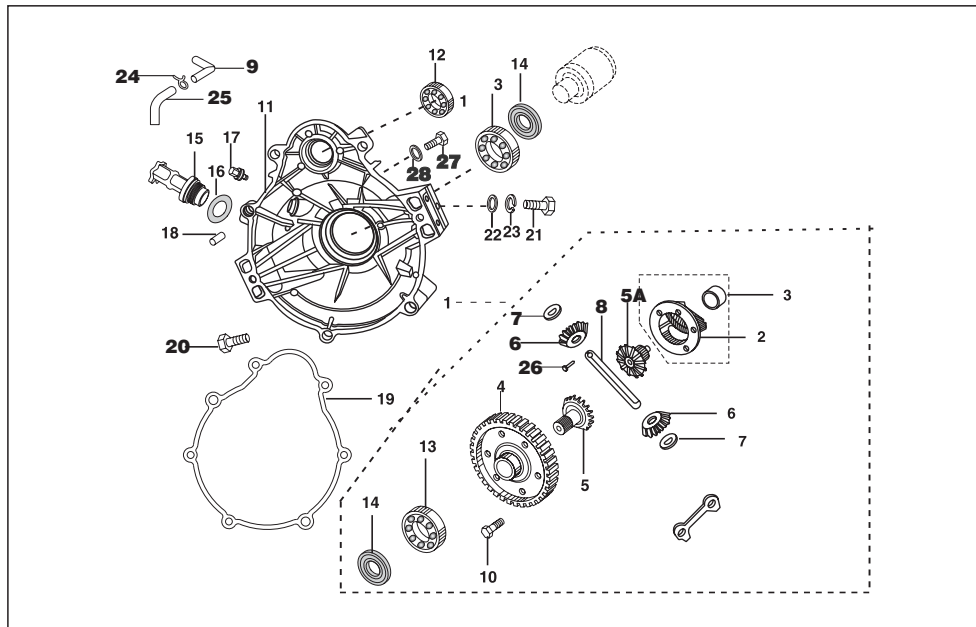
No.	Part No.	Description	Qty/veh	Remarks
1	BG 5520 06	Housing coupling	1	
2	BA 1321 22	hollow dowel	2	
3	39 1423 05	Stud M8	6	
4	Ba 1320 22	Washer lock cl.hsg.	6	
5	39 0694 15	Hex lock nut M8	6	
6	BG 5510 06	Coupling crankshaft	1	
7	BA 1320 03	Washer lock	1	
8	BA 1321 04	Nut M27	1	
9	BG 5510 07	coupling main shaft	1	
10	39 1558 04	Flange bolt	4	



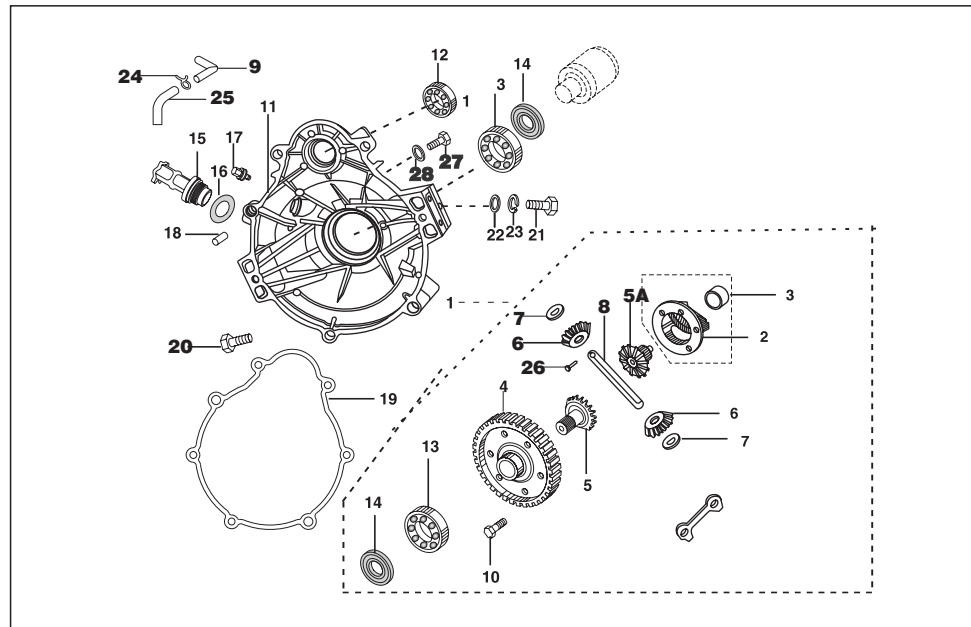
No.	Part No.	Description	Qty/veh	Remarks
1	BG 5510 02	Main shaft	1	
2	BA 1321 88	Cross	1	
3	BG 5510 04	Stem	1	
4	BA 1320 45	Tab washer	1	
5	BG 5510 05	Gear selector	1	
6	BG 5510 11	Spring	2	
7	01 1801 23	Steel ball	2	
8	BG 5526 01	Drive gear faremeter	1	
9	BA 1320 49	Key	1	
10	BA 1320 88	Circlip external	1	
10a	BG 5510 01	Main shaft assly	1	



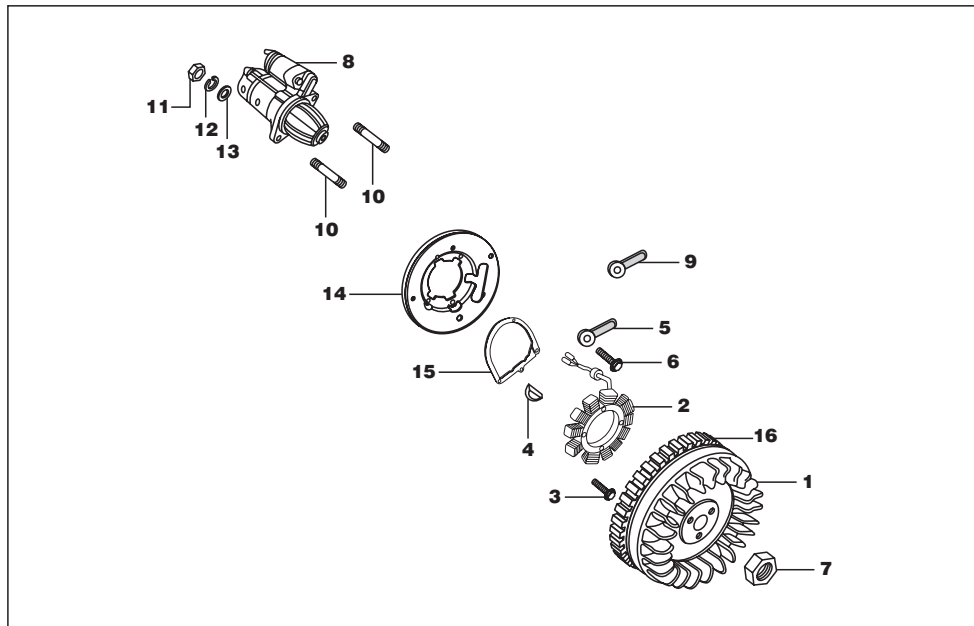
No.	Part No.	Description	Qty/veh	Remarks
1	BG 5512 01	Reverse gear (Main shaft)	1	
2	BG 5512 00	Speed gear 1	1	
3	BG 5512 05	Speed gear 2	1	
4	BG 5512 06	Speed gear 3	1	
5	BG 5512 07	Speed gear 4	1	
6	19 1010 16	Shoulder ring	2	
6a	19 1010 17	Shoulder ring No. 2	1	
6b	19 1010 18	Shoulder ring No. 3	1	Selective
6c	19 1010 19	Shoulder ring No. 4	1	
7	21 1007 11	Circlip	2	
8	BG 5512 03	R.C. gear assly	1	
9	BA 1321 16	Bushing	1	
10	BG 5510 12	Sleeve MG shaft	1	
11	39 1532 17	Circlip	2	
12	AL 1310 81	Shaft for R.C.gear	1	
13	BG 5510 09	Multiple Gear Shaft assly.	1	
14	39 1874 11	Plain Washer	2	
15	39 0738 17	External Circlip	2	
16	BG 5516 06	Differential gear 1 (Pinion Differential)	1	N.I



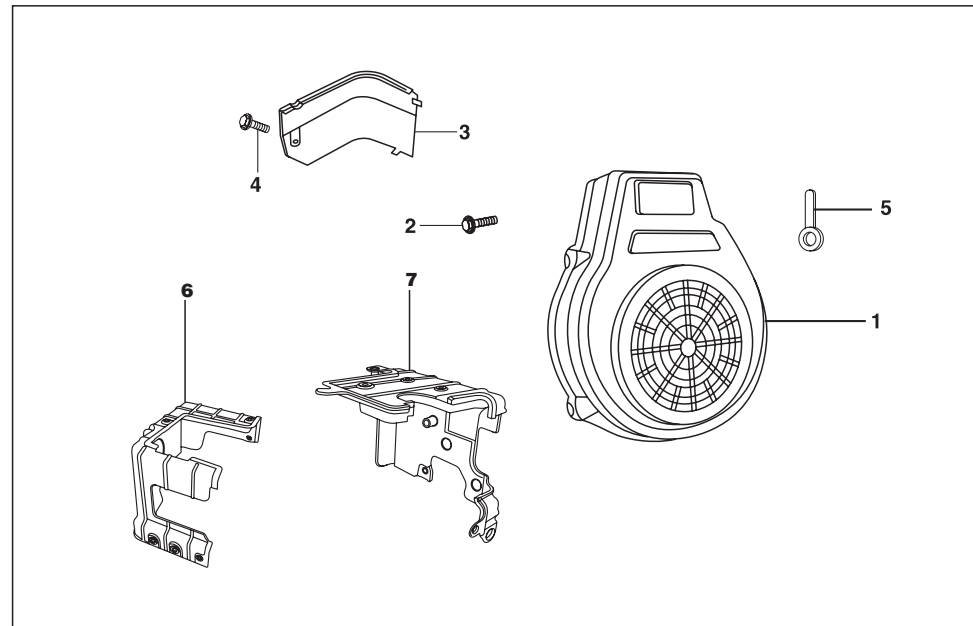
No.	Part No.	Description	Qty/veh	Remarks
1	BG 5516 00	Differential gear assembly	1	BG 1516 02- HSG. satellite gear
2	BG 5516 01	Satellite gear housing assembly	1	
3	24 1301 11	Bush - bevel gear housing	1	
4	BG 5516 03	Differential gear	1	
5	BG 5516 07	Bevel gear diff. gear side	1	
5a	BG 5516 08	Bevel gear sat. gear side	1	
6	AL 1310 58	Satellite gear	4	
7	22 1310 14	Spacer	4	
8	24 1310 32	Pin bevel gear	1	
9	BA 1022 07	Breather pipe joint	1	
10	BA 1322 01	Flange bolt	8	
11	AL 1310 12	Differential cover	1	
12	30 1510 65	Ball bearing	1	
13	KP BB60 07	Ball bearing (Sealed)	1	
14	BA 1322 57	Oil seal	2	
15	BA 1321 89	Oil plug	1	
16	39 1562 21	'O' ring	1	
17	BA 1321 79	Breather assembly	1	
18	BA 1321 22	Hollow dowel	2	
19	AL 1310 20	Gasket (Differential cover)	1	
20	39 1394 04	Flange bolt	2	
21	AL 1010 37	Bolt	6	



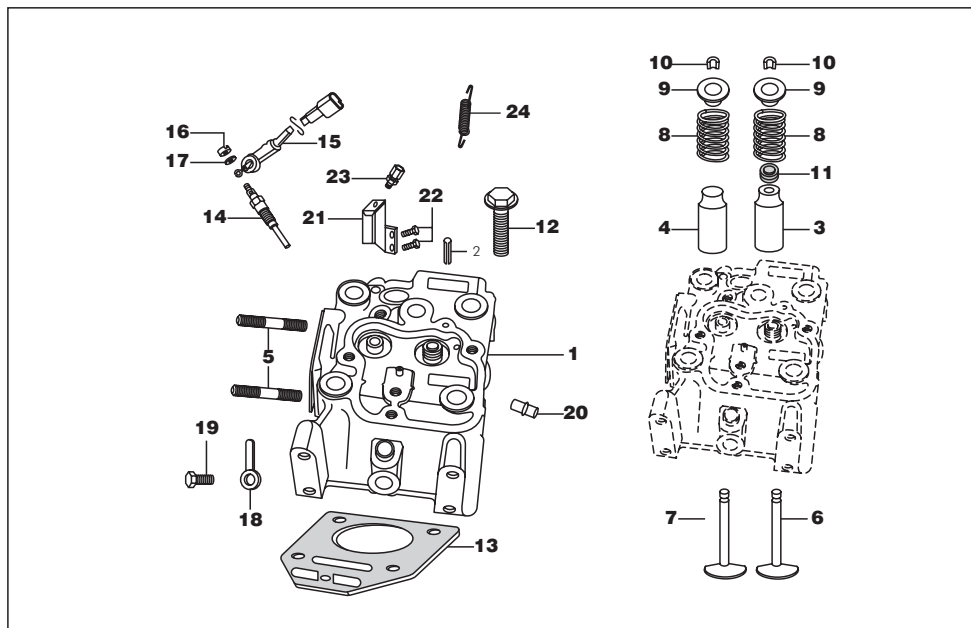
No.	Part No.	Description	Qty/veh	Remarks
22	39 1180 11	Plain washer	6	
23	39 1828 12	Spring washer	6	
24	BA 1220 02	Clamp	1	
25	BA 1321 78	Tube breather	1	
26	24 1301 11	Pin	1	
27	BA 1321 89	Oil plug	1	
28	39 1585 11	Plain washer	1	



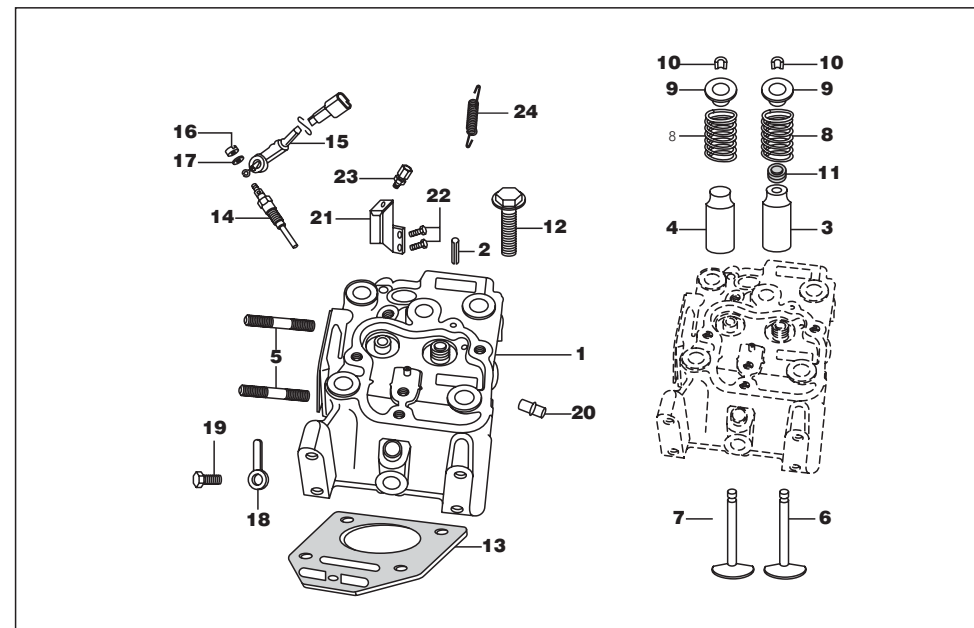
No.	Part No.	Description	Qty/veh	Remarks
1	BB 1110 07	Alternator single phase	1	
1a	BB 1110 07	Flywheel comp. Alternator	1	for BSIII
2	BA 1110 23	Assembly stator (1 phase)	1	
3	39 1552 04	Flange bolt	4	
4	BA 1020 99	Key woodruff	1	Magneto side on crankshaft
5	BA 2010 06	Clamp	1	
6	39 1551 04	Flange bolt	1	
7	BA 1021 00	Nut (Flywheel)	1	
8	BG 3516 02	Starter Motor	1	
9	BA 2010 07	Clamp	4	
10	39 1635 05	Stud	2	
11	39 1579 15	Hexagon Nut	2	
12	39 0265 12	Spring Washer	2	
13	22 1502 41	Plain Washer	2	
14	BG 3516 01	Dust cover	1	
15	BA 1022 15	Seal	1	
16	BA 1110 16	Ring gear	1	



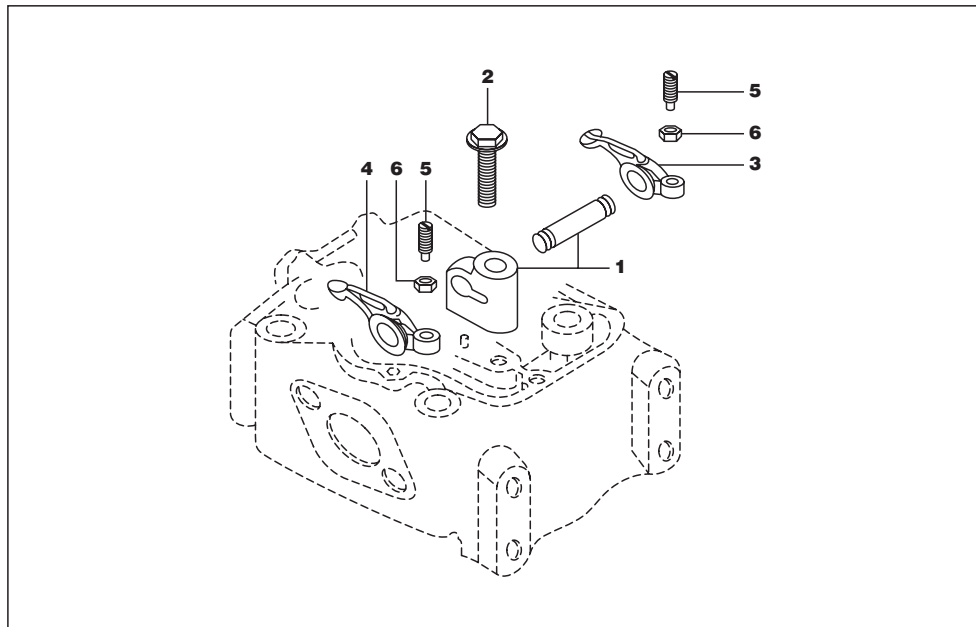
No.	Part No.	Description	Qty/veh	Remarks
1	BG 5412 00	Case Spiral	1	
2	39 1552 04	Flange bolt	4	
3	BA 1021 04	Cowling Cylinder	1	
4	39 1680 04	Flanged bolt	1	
5	BA 2010 06	Clamp	1	
6	BB 1010 67	Engine cover damper RH	1	
7	BB 1010 69	Engine cover damper LH	1	
8	BB 1010 71	Bracket cover damper	1	N.I
9	BG 5512 01	Grommet	1	N.I
10	BB 1009 02	Bolt Special	2	N.I



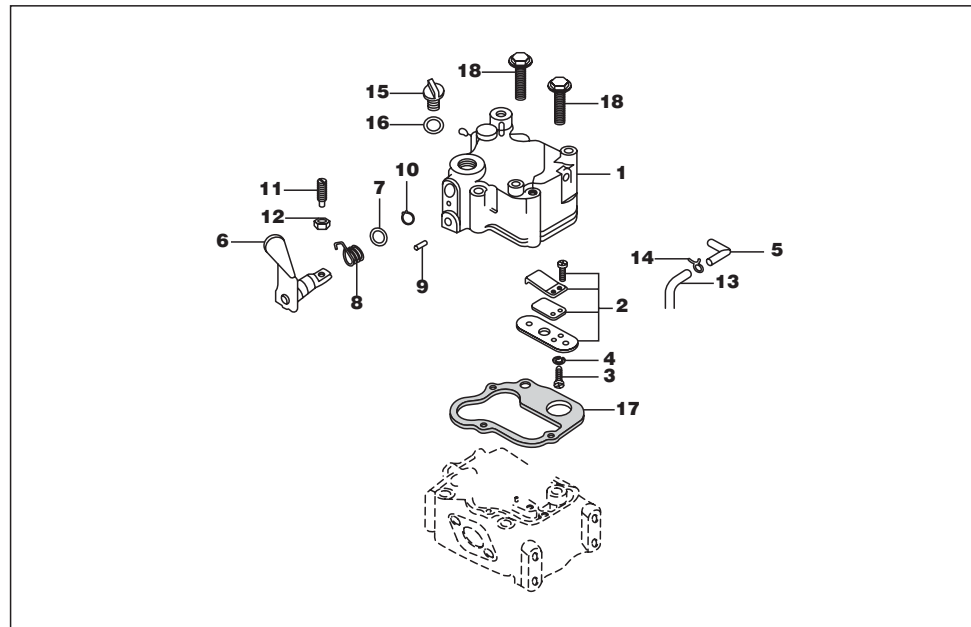
No.	Part No.	Description	Qty/veh	Remarks
1	BA 1020 11	Cylinder head complete	1	
1a	BB 1010 87	Cylinder head complete	1	for BSIII
2	39 1568 06	Spring dowel sleeve	1	
3	BA 1020 21	Guide Inlet valve	1	
4	BA 1020 23	Guide Exhaust valve	1	
5	39 2264 05	Stud	2	
6	BA 1020 14	Valve (Inlet)	1	
7	BA 1020 17	Valve (Exhaust)	1	
8	BA 1020 19	Valve Spring	2	
9	BA 1020 20	Retainer Valve Spring	2	
10	BA 1020 22	Collet Valve Spring	4	
11	BA 1020 24	Seal Valve Stem	1	
11a	BB 1010 90	Seal Valve Stem	1	for BSIII
12	BA 1022 70	Head bolt	4	
13	BA 1020 16	Gasket Cylinder Head	1	
13a	BB 1010 91	Gasket Cylinder Head	1	for BSIII
14	BA 1110 17	Glow Plug	1	
14a	BB 1110 09	Glow Plug	1	for BSIII
15	BA 1110 06	Cord, Glow Plug	1	
16	39 1560 15	Flange nut	1	
16a	BA 1020 25	Seat - valve (INLET)	1	
16b	BA 1020 26	Seat - valve (EXHAUST)	1	



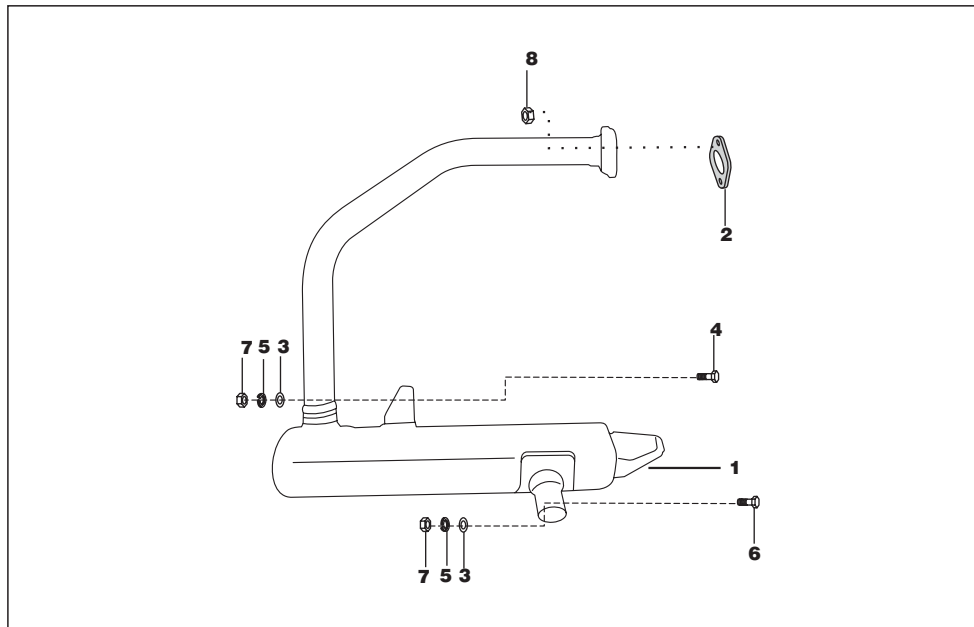
No.	Part No.	Description	Qty/veh	Remarks
17	39 0375 11	Plain washer	1	
18	BA 2010 06	Clamp	1	
19	39 0897 04	Bolt	1	
20	BA 1020 27	Pipe joint	1	
21	BA 1022 65	Bracket D'com	1	
22	39 1062 04	Bolt flanged small	2	
23	BA 1022 77	Adjuster with nut	1	
24	16 2010 55	Spring stop switch	1	



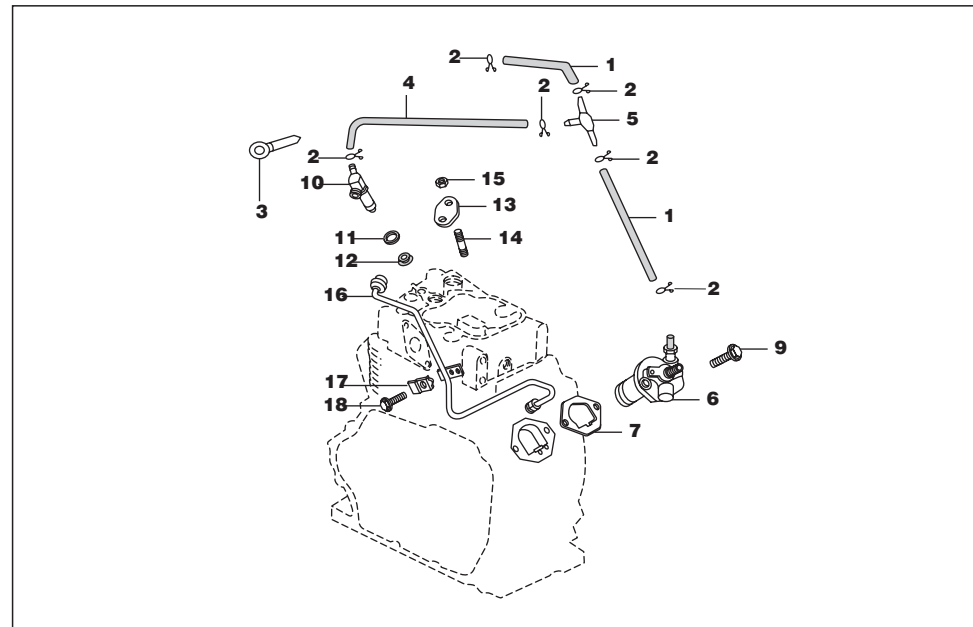
No.	Part No.	Description	Qty/veh	Remarks
1	BA 1020 30	Bracket Complete Rocker	1	
2	39 1558 04	Flange bolt	1	
3	BA 1020 33	Rocker Arm Inlet	1	
4	BA 1020 34	Rocker Arm Exhaust	1	
5	BA 1022 79	Adjusting Screw	2	
6	BA 1020 36	Nut	2	



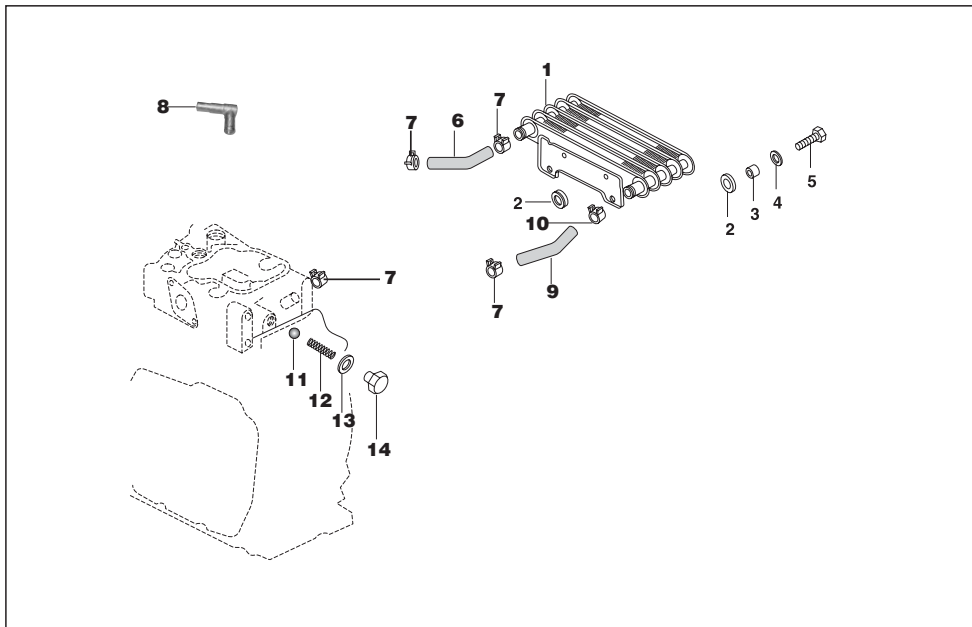
No.	Part No.	Description	Qty/veh	Remarks
1	BA 1022 59	Head Cover	1	
2	BA 1020 43	Breather Assembly	1	
3	39 0761 01	Screw Pan Cross	2	
4	39 0790 12	Washer Spring	2	
5	BA 1022 07	Breather pipe joint	1	
6	BA 1022 67	Shaft Complete (Decompress)	1	
7	39 1046 19	"O" Ring	1	
8	BA 1022 63	Torsion Spring (Decompress)	1	
9	39 1567 06	Spring Dowel Sleeve	1	
10	39 0645 17	Circlip (external)	1	
11	BA 1020 47	Decompression Bolt	1	
12	39 1578 15	Hexagon Nut	1	
13	BA 1021 46	Breather tube assembly	1	
14	BA 1021 47	Pipe Clip	1	
15	BA 1020 38	Oil Plug	1	
16	39 1562 21	"O" Ring	1	
17	BA 1020 42	Gasket Head Cover	1	
18	39 1571 04	Flange Bolt	3	
18a	BA 1020 32	SHAFT (ROCKER ARM)	1	
18b	BA 1022 64	Assembly Head Cover	1	



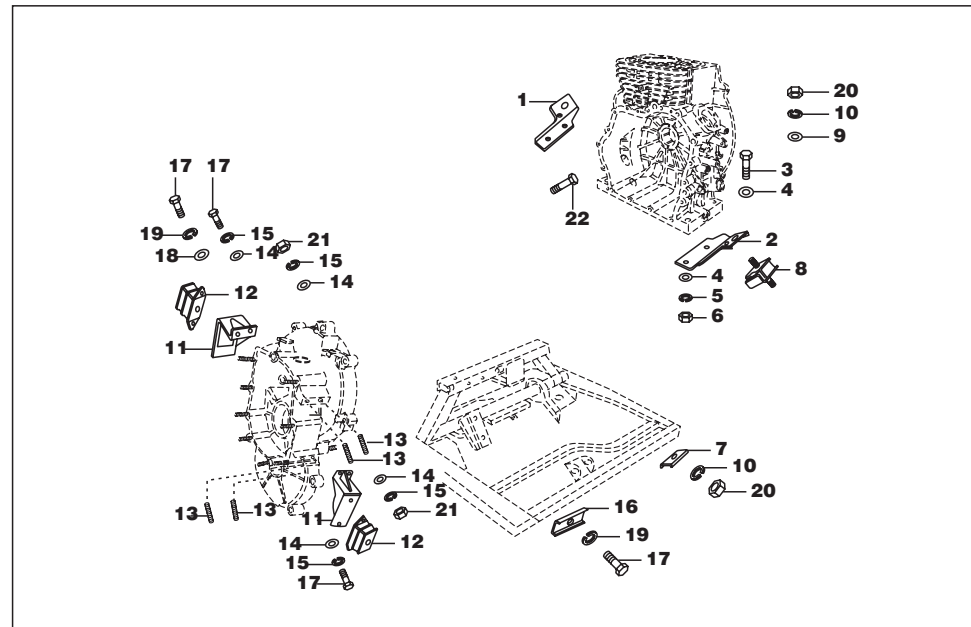
No.	Part No.	Description	Qty/veh	Remarks
1	BG 5910 00	Silencer	1	
2	BA 1020 29	Gasket (Muffler)	1	
3	39 1180 11	Plain washer	3	
4	59 0400 49	Hex bolt	2	
5	39 0265 12	Spring washer	1	
6	39 1714 04	Flanged bolt	1	
7	39 0694 15	Hexagon Nut		
8	30 1010 25	Nut	2	



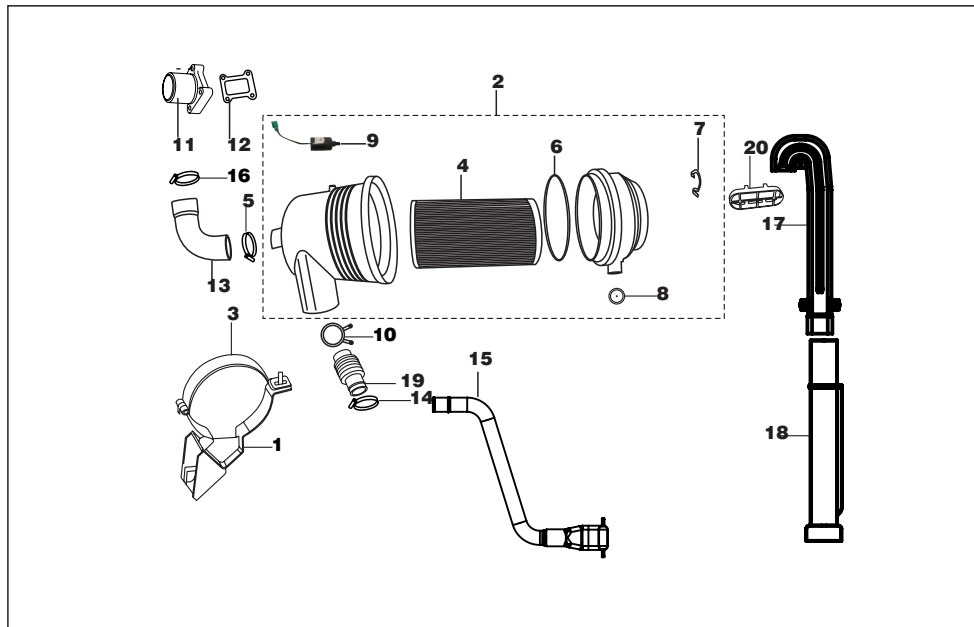
No.	Part No.	Description	Qty/veh	Remarks
1	BG 5010 03	Fuel Overflow pipe	2	
2	AA 1410 46	Pipe clip	6	
3	BA 1022 03	Clip breather	2	
4	BA 1220 78	Tube Fuel	1	
5	BA 1410 33	T joint	1	
6	BA 1221 52	Pump assly Injection (MICO)	1	
6a	BB 1210 93	Pump assly Injection (Bosch)	1	
6b	BB 1210 86	Pump assly Injection	1	for BSIII
7	BA 1220 08	Pump adjust shim	1	
8	BA 1220 09	Shim	1	Not illustrated
8a	BA 1221 74	Shim	1	Not illustrated
9	39 1553 04	Flanged bolt	2	
10	BA 1221 53	Nozzle holder assly	1	
10a	BA 1220 10	Nozzle holder assly (MICO)	1	
10b	BB 1210 94	Nozzle holder assly (Bosch)	1	for BSIII
11	BA 1220 11	Packing	1	
12	BA 1220 12	Seal heat	1	
13	BA 1220 13	Clamp (Nozzle)	1	
14	39 2264 05	Stud	2	
15	39 1579 15	Hexagon nut	2	
16	BA 1221 59	Pipe -inject. Mico -fu. Inj. Pump	1	
16a	BB 1210 94	Pipe injection (Bosch FIE)	1	for BSIII
17	BA 1220 14	Pipe clamp assly	1	
18	39 1556 04	Flange bolt	1	



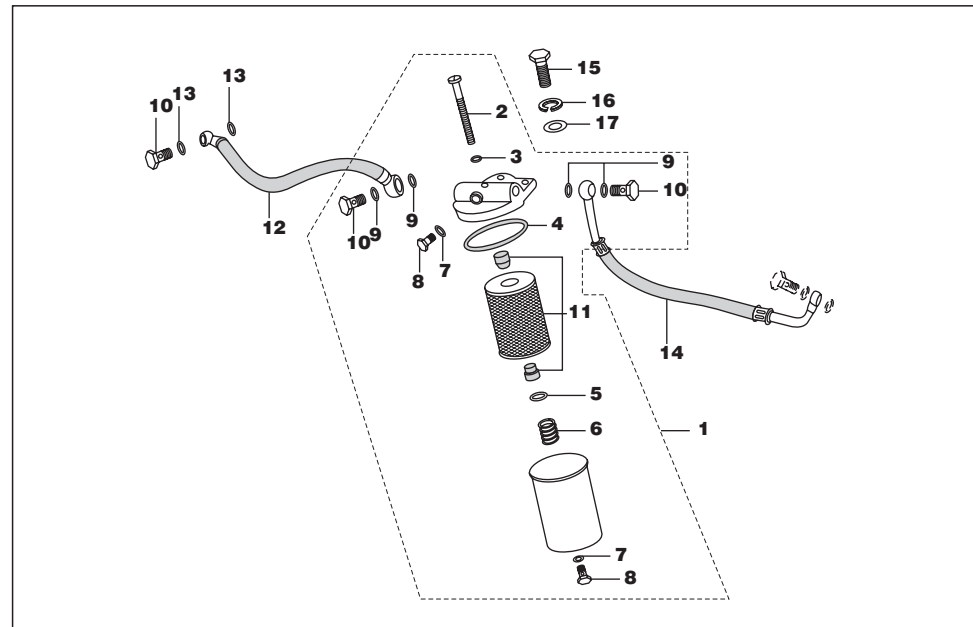
No.	Part No.	Description	Qty/veh	Remarks
1	BA 1020 88	Oil Cooler	1	
2	BA 1020 89	Vibro - Isolating Rubber	4	
2a	BA 1022 22	Vibro - Isolating Rubber	4	
3	BA 1020 90	Coller - Vibro - Isolating Rubber	2	
4	39 1573 11	Plain washer	2	
5	39 1577 04	Hexagon bolt	2	
6	BA 1022 35	Tube -1 (Oil)	1	
7	BA 1022 58	Hose clip	2	
8	BA 1020 27	Joint oil tube	3	
9	BA 1222 06	Tube oil	1	Cooler to head
10	BA 1021 56	Clamp hose	4	
11	BA 1021 27	Ball	1	
12	BA 1020 85	Spring	1	
13	BA 1020 87	Packing	1	
14	BA 1020 86	Plug	1	



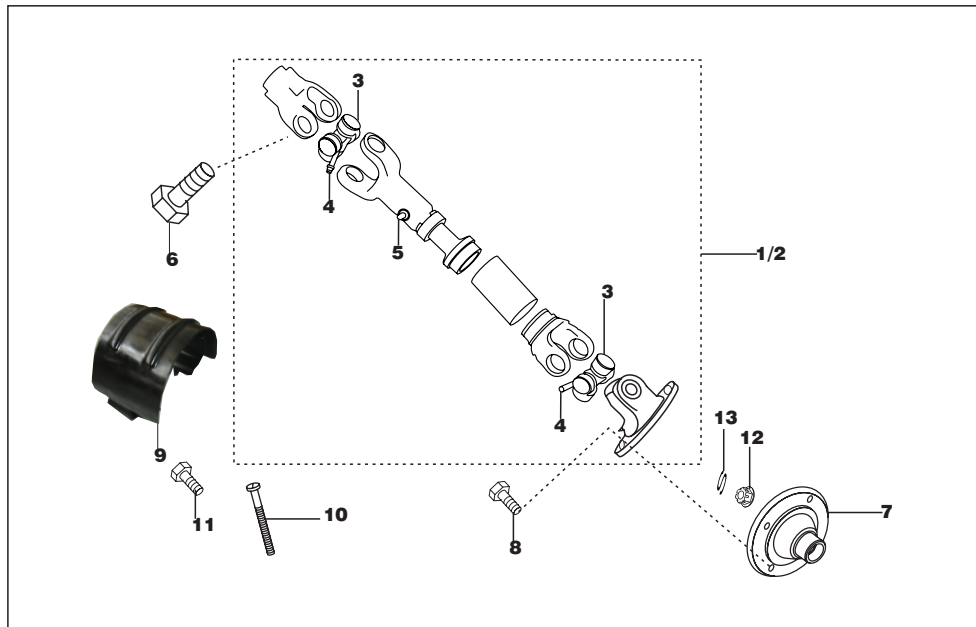
No.	Part No.	Description	Qty/veh	Remarks
1	BG 1010 01	Engine bracket front	1	
2	BG 1134 02	Engine bracket rear	1	
3	39 1396 04	Hex bolt	4	Alt. to 39 1707 04
4	39 0248 11	Plain washer	8	
5	39 1827 12	Spring washer	4	
6	39 0296 15	Hex nut	4	
7	BA 1610 30	Channel fixing Eng. mtg RR	2	
8	BA 1021 61	Rubber isolator	2	
9	39 0714 11	Washer	2	
10	39 1827 12	Spring washer	4	
11	BG 1134 03	Bracket transmission mtg	2	
12	AL 1010 20	Rubber isolator (GB)	2	
13	39 1594 05	Stud	6	
14	39 0198 11	Plain washer	8	
15	39 0263 12	Spring washer	8	
16	BA 1610 31	Channel fixing G.B. mtg RR	1	
17	BA 1022 23	Bolt	2	
18	39 1180 11	Plain washer	1	
19	39 1828 12	Spring washer	2	
20	39 0467 15	Nut	4	
21	39 0834 15	Hexagonal nut	6	
22	BA 1022 37	Bolt engine lifting	1	



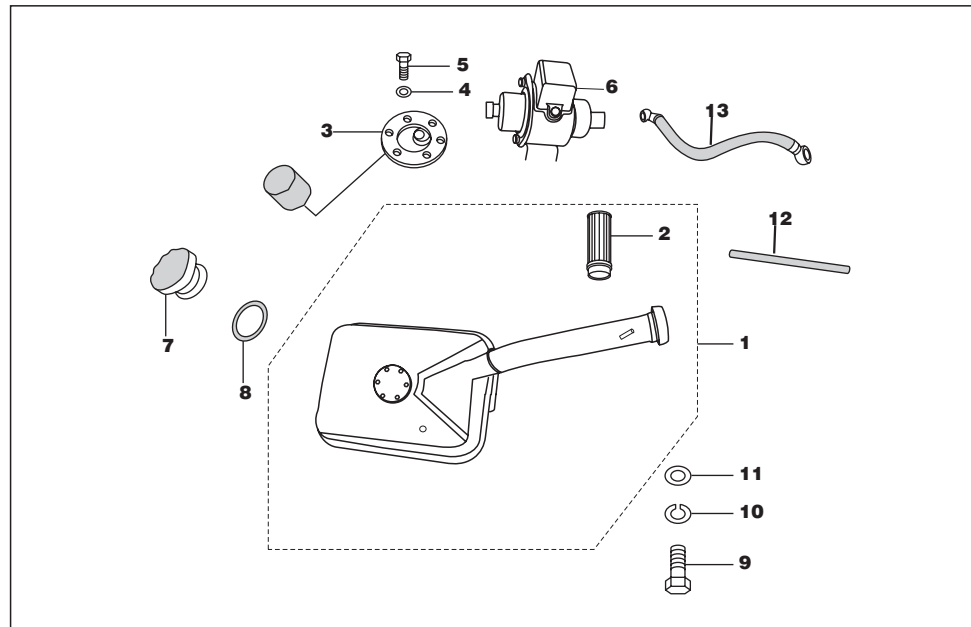
No.	Part No.	Description	Qty/veh	Remarks
1	BG 5810 00	Bracket isolator Air cleaner	1	
2	AL 1210 60	Air filter assly.	1	
3	AL 1210 69	Clamp air cleaner	1	
4	AL 1210 62	Element Air Filter	1	
5	AP 1210 64	Clamp hose	2	
6	AL 1210 68	Seal ring flat	1	
7	AL 1210 69	Clamp flat	2	
8	BB 1210 29	Flap air intake	1	
9	BB 2010 25	Choke sensor unit	1	
10	BB 1210 42	Clip	1	
11	AL 1210 11	Inlet manifold	1	
12	BA 1220 64	Gasket	1	
13	BG 5814 06	Tube intake manifold	1	
14	BA1220 62	Pipe band	1	
15	BG 5814 09	Assly air intake -Z tube	1	
16	BB 1210 39	Clip	1	
17	BG 5814 01	Hose air intake-top	1	
18	BG 5814 02	Hose air intake-bottom	1	
19	AL 1210 75	Tube air intake	1	
19a	BG 5814 03	Pipe Air Intake	1	
20	BG 5814 05	Mesh air intake	1	



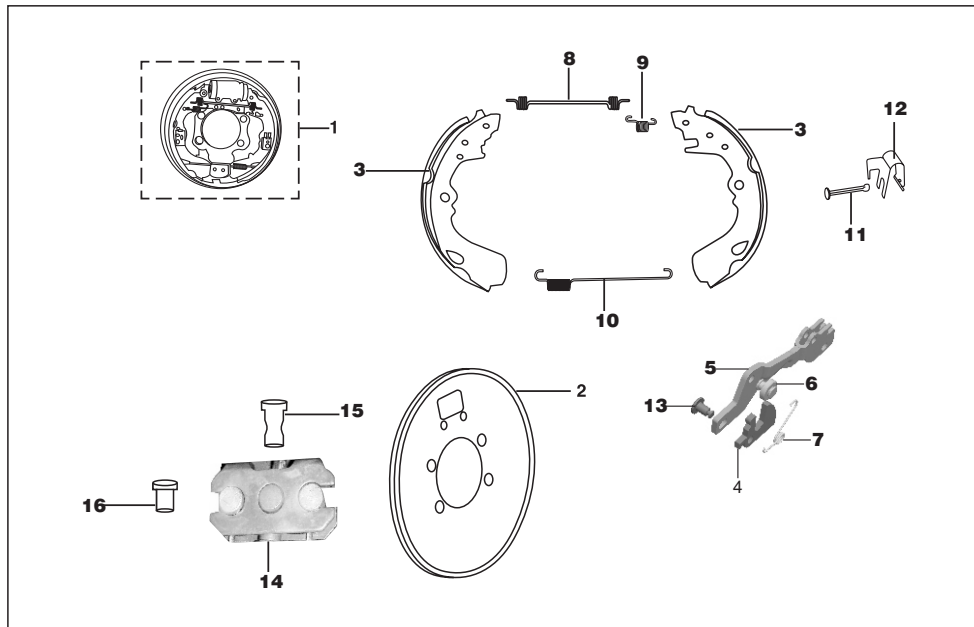
No.	Part No.	Description	Qty/veh	Remarks
1	BB 1210 43	Fuel filter (0.5 lit.) assly.	1	
2	BB1210 49	Centre bolt	1	
3	BA 1221 35	Washer	1	
4	BB 1210 47	Sealing ring	1	
5	BB 1210 48	Washer	1	
6	BA 1221 40	Spring	1	
7	BA 1221 41	Washer	2	
8	BA 1221 42	Air vent screw	2	
9	BA 1221 43	Copper washer	4	
10	BA 1410 17	Banjo bolt	2	
11	BB 1210 43	Fuel filter	1	
12	BG 171801	Pipe Assy Fuel Tank To Filter	1	
13	39 1602 11	Sealing washer	2	
14	BG 1718 02	Pipe assy fuel- filter to pump	1	
15	39 0390 04	Hex screw	2	
16	39 1828 12	Spring washer	2	For mtg fuel filter on chassis
17	22 1502 41	Plain washer	2	



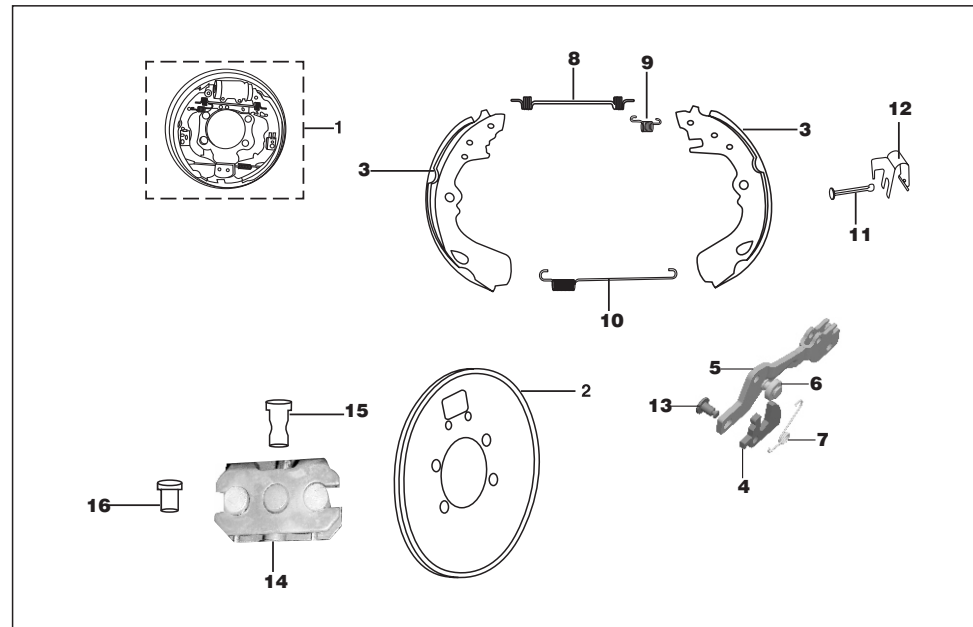
No.	Part No.	Description	Qty/veh	Remarks
1	BG 1412 22	Drive Shaft - RH - UJ Type	1	
2	BG 1412 23	Drive Shaft - LH - UJ Type	1	
3	BB 1311 89	UJ Repair kit	4	This include UJ cross, bearing cup, needle roller, seal, grease nipple and circlip
4	BG 1412 09	Grease nipple	4	
5	BG 1412 10	Grease Nipple	2	
6	BG 1412 15	Bolt M8X43 (Precoated)	2	
7	BG 1412 00	Flange UJ Propeller shaft	2	
8	BG 1412 16	Bolt M8X20	8	
9	BG 5520 15	Guard for drive shaft	1	
10	BG 5520 17	Special bolt	2	For mtg. prop. shaft guard
11	39 0390 04	Bolt M8	2	For mtg. prop. shaft guard
12	39 1182 15	Nut	2	
13	24 1710 66	Spring clip	2	



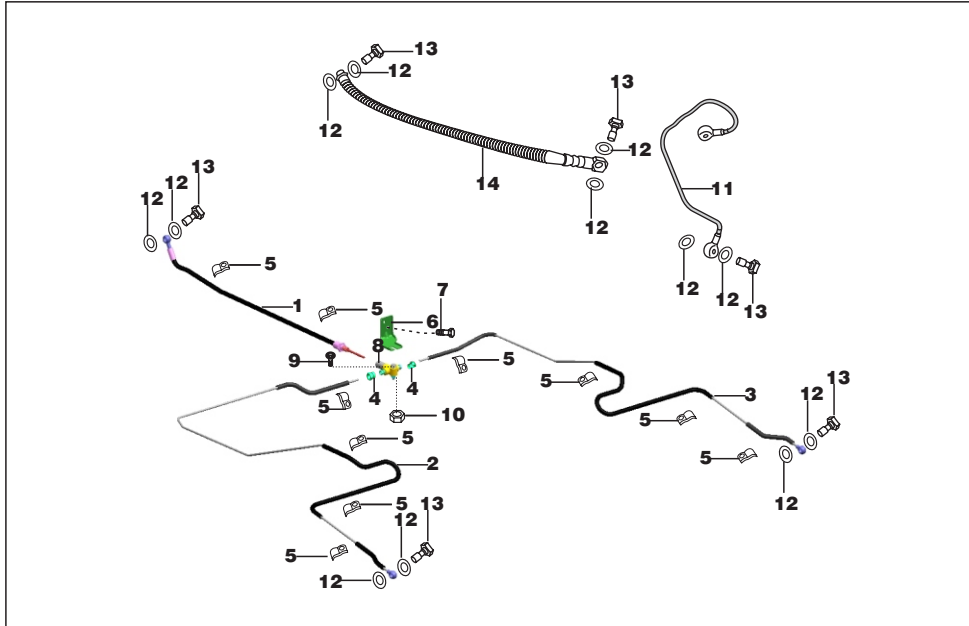
No.	Part No.	Description	Qty/veh	Remarks
1	BG 1710 05	Fuel tank assembly	1	
1a	BG 1710 00	Tank fuel complete	1	
2	BA 1410 13	Fuel stainer	1	
3	BG 4026 06	Switch float	1	
4	03 1902 04	plain washer	6	
5	01 1605 09	Hex bolt	6	
6	AL201034	Fuel pump	1	
7	AL 1410 13	Lock - fuel tank cap without key	1	
8	24 1401 15	'O' ring	1	
9	39 1515 01	Hex head screw	4	
10	39 1828 12	Spring washer	4	
11	39 1180 11	Plain washer	4	
12	BG 1718 00	fuel overflow pipe	1	
13	BG 1718 03	Pipe assy fuel-pump to engine	1	



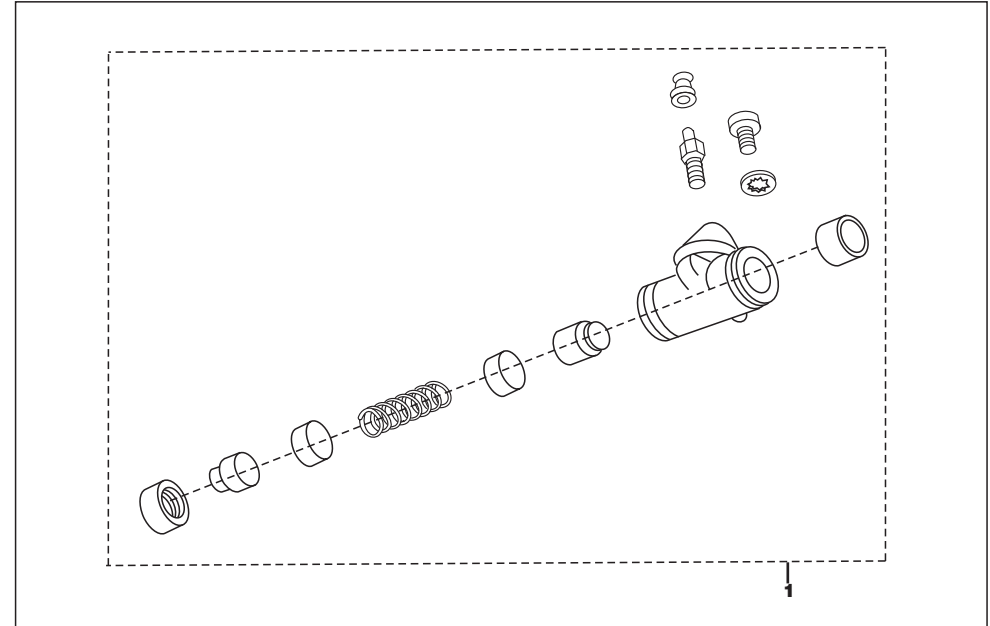
No.	Part No.	Description	Qty/veh	Remarks
1	AP 1510 15	Panel assly. front	1	
1a	24 1511 19	Panel assly LH	1	
1b	24 1511 20	Panel assly RH	1	
2	AP 1510 17	Back panel assly front	1	
2a	24 1511 74	Back plate assly. LH	1	
2b	24 1511 78	Back Plate assly. RH	1	
3	24 1511 36	Brake shoe assly.	1	Not Serviceable
4	24 1511 30	Plate ratchet	3	
5	24 1511 29	Strut plate front	1	
5a	24 1511 44	Strut plate LH	1	
5b	24 1511 51	Strut plate RH	1	
6	24 1511 31	Pinion	3	
7	24 1511 32	Spring strut LH & front	2	
7a	24 1511 52	Spring strut RH	1	
8	24 1511 33	Spring main	3	
9	24 1511 34	Spring strut LH holding	3	
10	24 1511 35	Spring shoe holding	3	
11	24 1511 37	Pin pivot shoe	6	
12	24 1511 38	Spring shoe clamping	6	
13	24 1511 39	Pin ratchet	3	
14	24 1510 67	Bracket rear cable guide	1	
15	24 1510 68	Pin rear cable guide	1	



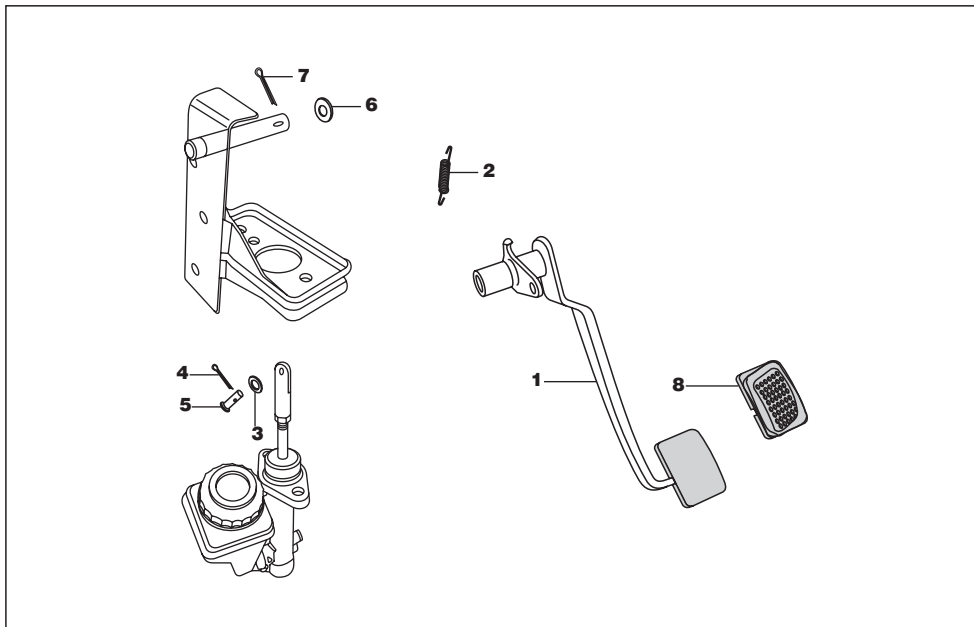
No.	Part No.	Description	Qty/veh	Remarks
16	24 1510 69	Spacer	1	For 24151067
17	24 1511 69	Strut assembly front Complete	1	Include fig. 4,5,6,7 & 13
17a	24 1511 76	Strut assembly LH Complete	1	Include fig. 4,5,6,7 & 13
17b	24 1511 80	Strut assembly RH Complete	1	Include fig. 4,5,6,7 & 13
18	24 1511 70	Ratchet kit (Fr. & LH)	1	Include fig. 4,7 & 13
18a	24 1511 81	Ratchet kit (RH)	1	Include fig. 4,7 & 13
19	24 1511 71	Brake shoe kit	1	Include fig. 3,11 & 12
20	24 1511 72	Shoe clamp spring kit	1	Include fig. 11& 12
21	24 1511 73	Spring kit		
		(Common for Front & LH)	1	Include fig. 8,9 & 10
21a	24 1511 82	Spring Kit RH	1	Include fig. 8,9 & 10
22	24 1511 68	Auto Adjuster assly front	1	Include fig. 5 & 6
22a	24 1511 75	Auto adjuster assly rear LH	1	Include fig. 5 & 6
22b	24 1511 79	Auto adjuster assly rear RH	1	Include fig. 5 & 6



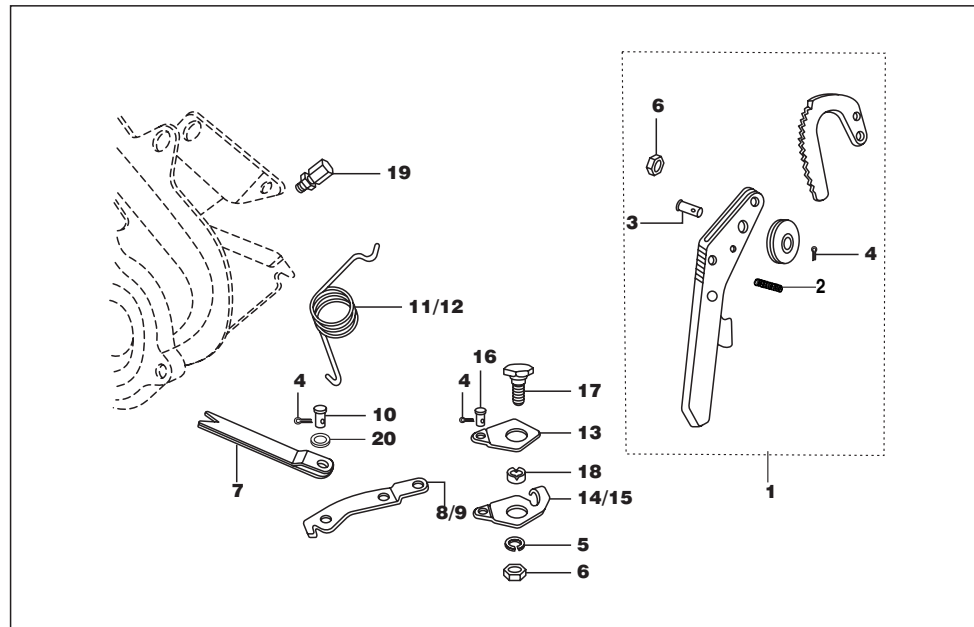
No.	Part No.	Description	Qty/veh	Remarks
1	BG 1318 06	Brake pipe front	1	
2	BG 1318 04	Brake pipe left	1	
3	BG 1318 05	Brake pipe right	1	
4	AB 1510 50	Connector brake pipe	1	
5	BG 1138 11	Clamp brake pipe	10	
6	BG 1138 06	Bracket for 3 way connector	1	
7	39 1672 04	Flange Bolt	1	
8	AD 1510 21	Connector 3 way	1	
9	39 1074 04	Bolt Flanged	1	
10	39 0798 15	Nut Hex	1	
11	BG 1318 07	Pipe assly brake front	1	
12	21 1504 22	Copper Washer	12	
13	AB 1510 49	Bolt banjo	6	
14	AB 1510 48	Flexible brake front	1	
14a	52 BG00 18	Assembly Brake Pipe With Flexible Hose	1	



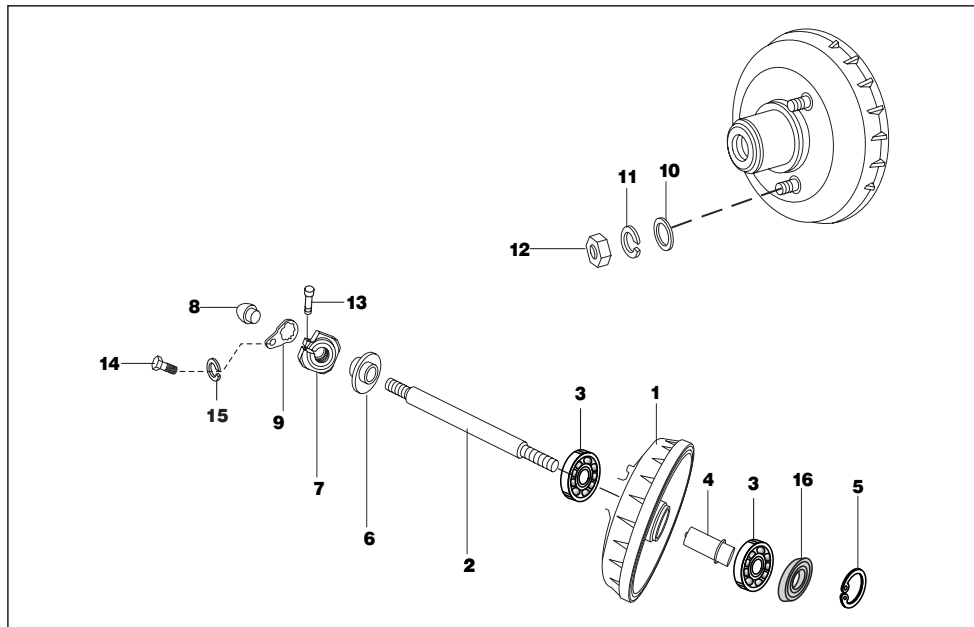
No.	Part No.	Description	Qty/veh	Remarks
1	24 1510 99	Wheel Cylinder Front	1	
2	24 1511 07	Major kit	1	N.I
3	24 1511 08	Minor kit	1	N.I



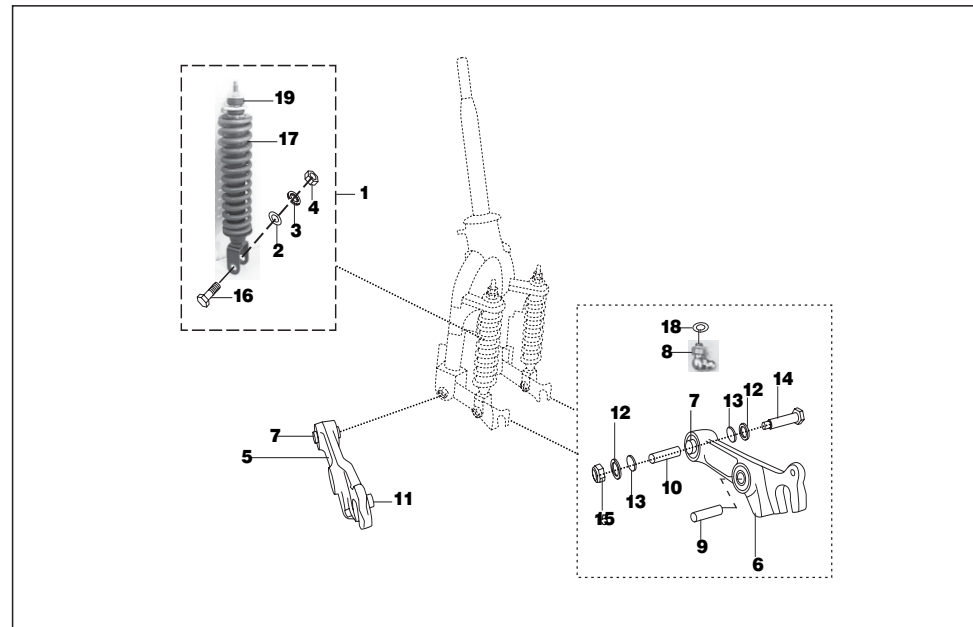
No.	Part No.	Description	Qty/veh	Remarks
1	AP 1510 29	Brake pedal assembly	1	
2	AB 1510 14	Spring brake pedal retainer	1	
3	39 0208 11	Plain washer	2	
4	39 0147 08	Split pin	1	
5	39 1702 07	Clevis pin with head	1	
6	39 0199 11	Plain washer	1	
7	39 0146 08	Split pin	1	
8	BA 1910 29	Pad Brake pedal	1	



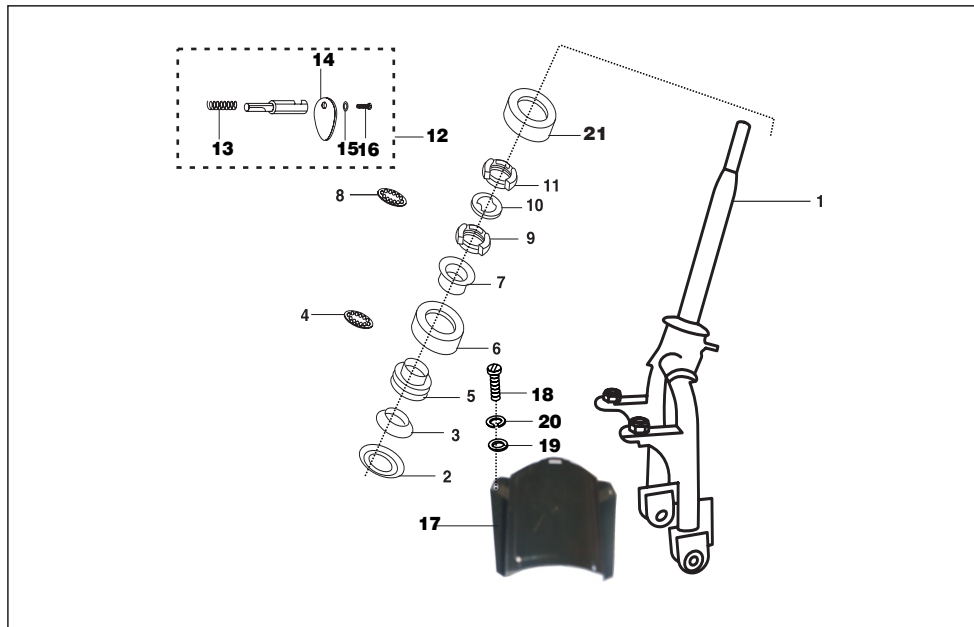
No.	Part No.	Description	Qty/veh	Remarks
1	24 1510 61	Hand brake comp.	1	
2	22 1505 24	Spring	1	
3	22 1510 67	Fork pin	1	
4	24 1511 47	Split pin	2	
5	39 1828 12	Spring washer	1	
6	39 0694 15	Flange Nut	2	
7	22 1505 15	Hand brake strut	2	
8	24 1511 54	Hand brake lever RH	1	
9	24 1511 45	Hand brake lever LH	1	
10	24 1511 46	Pin pivot	1	
11	24 1505 06	Return spring RH	1	
12	24 1505 07	Return spring LH	1	
13	22 1505 20	Link	2	
14	22 1510 63	Plate LH	1	
15	22 1510 64	Plate RH	1	
16	22 1505 25	Pin	2	
17	39 0106 04	Bolt	2	
18	22 1505 22	Distance piece	2	
19	05 1510 12	Adjuster with nut	2	
20	24 1511 48	Plain washer	2	



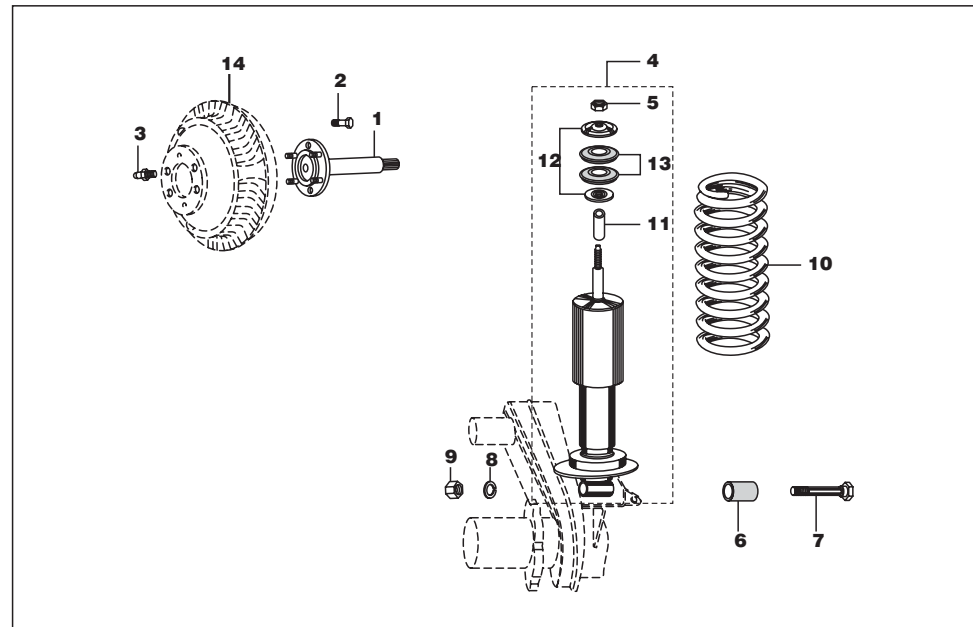
No.	Part No.	Description	Qty/veh	Remarks
1	AP 1510 19	Fr. Brake Drum	1	With oil seal arrangement
1a	AP 1510 12	Drum Brake With Studs	1	
2	AP 1510 02	Front Wheel Axle	1	
3	39 2240 20	Ball Bearing	2	
4	AP 1510 25	Distance piece assly	1	
5	39 2464 17	Circlip	1	
6	AP 1510 26	Spacer assly.	1	
7	AL 1510 89	Special Nut-M16	2	
8	AL 1510 11	Collar Nut	2	
9	AL 1510 12	Locking Clip	2	
10	39 11 80 11	Plain washer	4	
11	39 1829 12	Spring washer	4	
12	39 0312 15	Hex nut.	4	
13	39 2038 04	Hex socket head bolt	2	For locking clip
14	39 1079 01	Hex head screw	2	For locking clip
15	39 0263 12	Spring washer	2	
16	39 1737 19	Oil Seal	2	
17	AP 1510 22	Flange back plate	1	N.I
17a	39 2534 04	Flange bolt M8	4	N.I



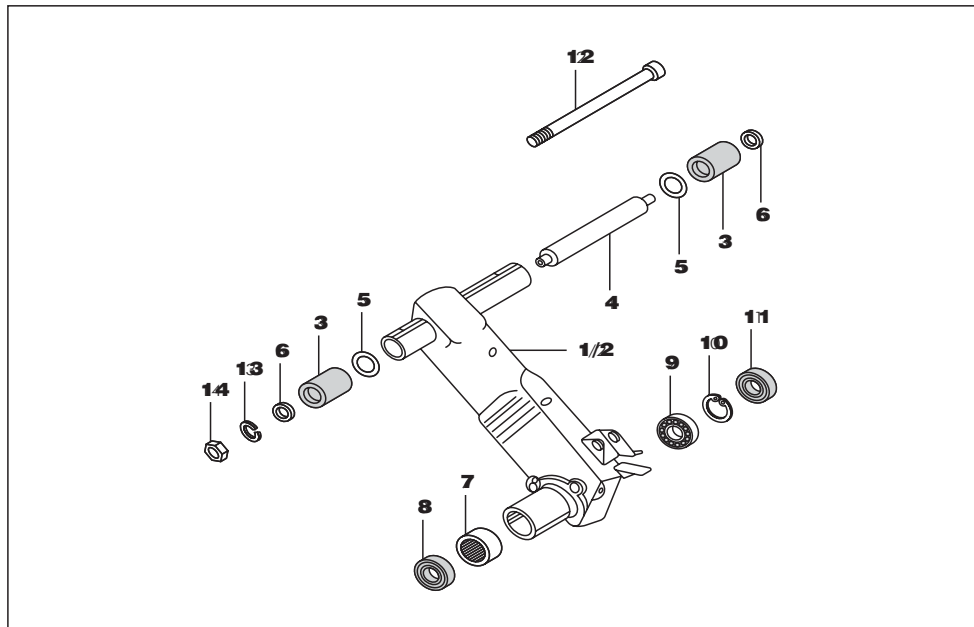
No.	Part No.	Description	Qty/veh	Remarks
1	AL 1710 47	Front shock absorber	2	
1a	AP 1710 03	Shockabsorber Front Di Vehicle	2	
2	39 1054 11	Plain washer	2	
3	39 0789 12	Spring washer	2	
4	39 0296 15	Hexagon Nut	2	
5	AL 1710 91	Link assly. LH	1	
6	AL 1710 93	Link assly.RH	1	
7	AL 1710 48	Liner Bush	2	Link LH & RH
8	35 1710 33	Grease nipple	2	Link LH & RH
9	AB 1710 16	Bush	2	
10	AL 1710 49	Bush link pivot	2	
10a	AL 1711 15	Bush Link Pivot	2	
11	AL 1710 58	Locking Pin	2	Link LH & RH
12	39 1564 21	"O" Ring	4	Link LH & RH
13	AL 1710 50	Cap Link pivot	4	
13a	AL 1711 04	Cap Link Pivot	4	
14	AL 1710 51	Bolt For Link pivot	2	Link LH & RH
15	39 0939 15	Hex nyloc nut	2	Link LH & RH
16	39 2516 04	Shoulder bolt	2	For shock absorber
17	AP 1710 01	Spring Fr. suspension	2	
18	39 0740 11	Washer (Non metalliic)	2	For Grease nipple
19	AL 1710 67	Rubber Bush	2	



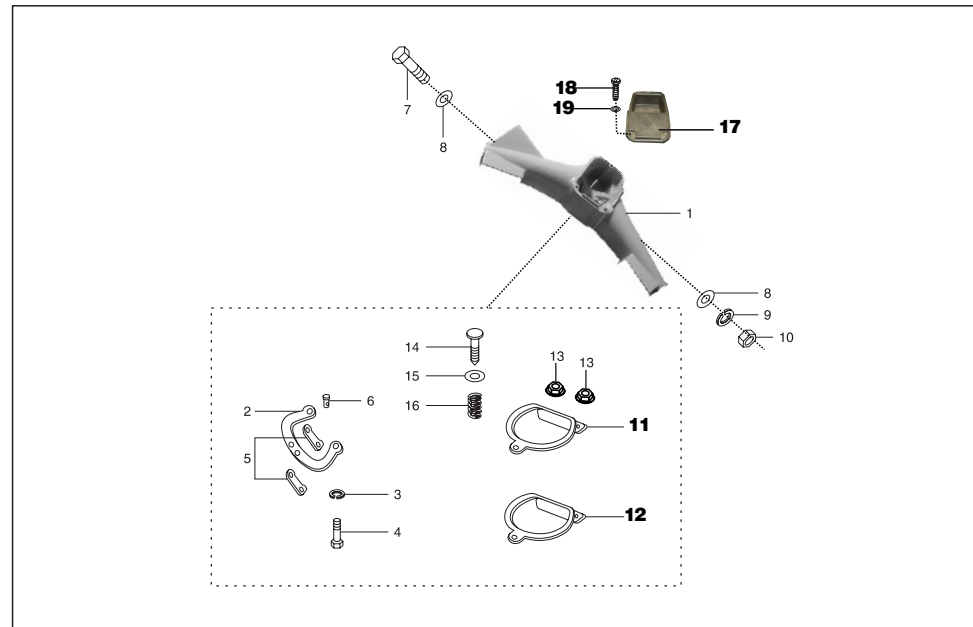
No.	Part No.	Description	Qty/veh	Remarks
1	AP 1810 12	Fork assly	1	From 28.10.09
1a	AP 1810 16	Fork assembly	1	
2	24 1810 34	Dust cover bottom	1	
3	AB 1810 11	Bearing race lower inner	1	
4	AB 1810 12	Balls with cage	1	
5	AB 1810 33	Bearing race lower outer	1	
6	24 1810 33	Dust cover top	1	
7	24 1810 46	Bearing race upper inner	1	From 28.10.06 w/o treading
7a	AB 1810 16	Bearing race upper inner	1	
8	AB 1810 17	Steel ball with cage upper	1	
9	AB 1810 19	Bearing race upper outer	1	
10	AB 1810 20	Spacer washer bearing	1	
11	24 1810 47	Nut lock ring	2	From 28.10.09
11a	AB 1810 21	Lock ring upper race	1	
12	24 1810 32	Steering lock assly.	1	With key
13	06 1803 03	Spring	1	
14	15 1810 32	Cover plate	1	
15	15 1810 33	Spring Washer	1	
16	15 1810 34	Hammer screw driver	1	
17	AP 1810 13	Assembly mudflap front	1	
18	39 0071 04	Screw	2	
19	39 1765 11	Plain washer	2	
20	39 1830 12	Spring washer	2	
21	24 1614 43	Dust cover	1	N.I



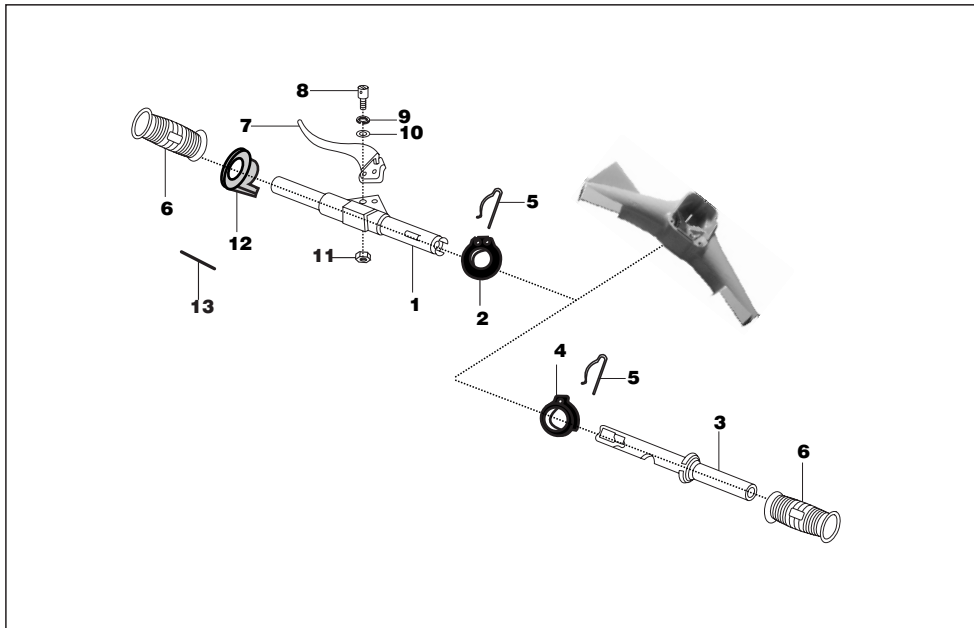
No.	Part No.	Description	Qty/veh	Remarks
1	24 1711 18	Rr. wheel axle	1	
2	22 1704 34	Bolt for axle	8	
3	24 1710 75	Grease nipple	2	
4	BA 1710 09	Rear shock absorber assembly	2	From June.04
5	39 0467 15	Hex nut	2	
6	BA 1710 07	Rubber Bush with sleeve	2	
7	24 1705 07	Bolt	28	
8	39 0466 12	Spring washer	2	
9	39 0467 15	Nut	2	
10	BG 1220 00	Rear suspension spring	2	
11	24 1710 56	Sleeve	2	
12	BA 1710 08	Cup washer top side	4	
13	24 1710 49	Mounting rubber with sleeve	4	
14	22 1511 06	Brake drum rear	1	



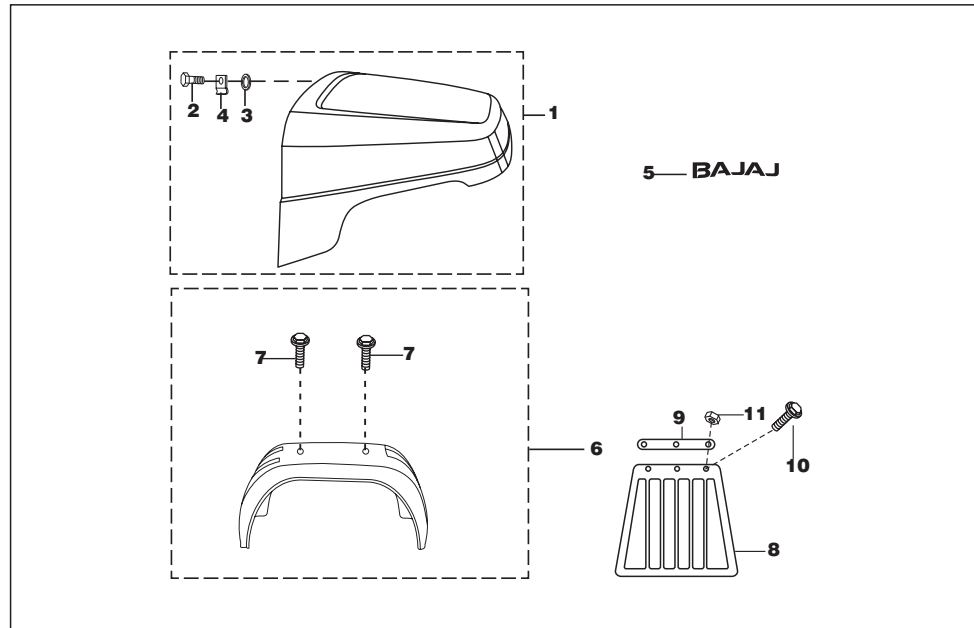
No.	Part No.	Description	Qty/veh	Remarks
1	AH 1710 03	Trailing arm Assly LH		
2	AH 1710 09	Trailing arm assembly RH	1	
3	AA 1710 06	Silent bush	4	
4	AA 1710 07	Distance piece assly	2	
5	05 1010 56	Spacer sintered	4	
6	01 1003 23	Washer	4	
7	59 2000 12	Needle bearing	2	
8	22 1710 07	Oil seal	2	
9	01 1003 42	Bearing	2	
10	39 0342 17	Circlip	2	
11	24 1710 24	Oil seal	2	
12	AA 1710 11	Pivot pin assembly	2	
13	39 0269 12	Spring washer	2	
14	39 0303 15	Nut	2	



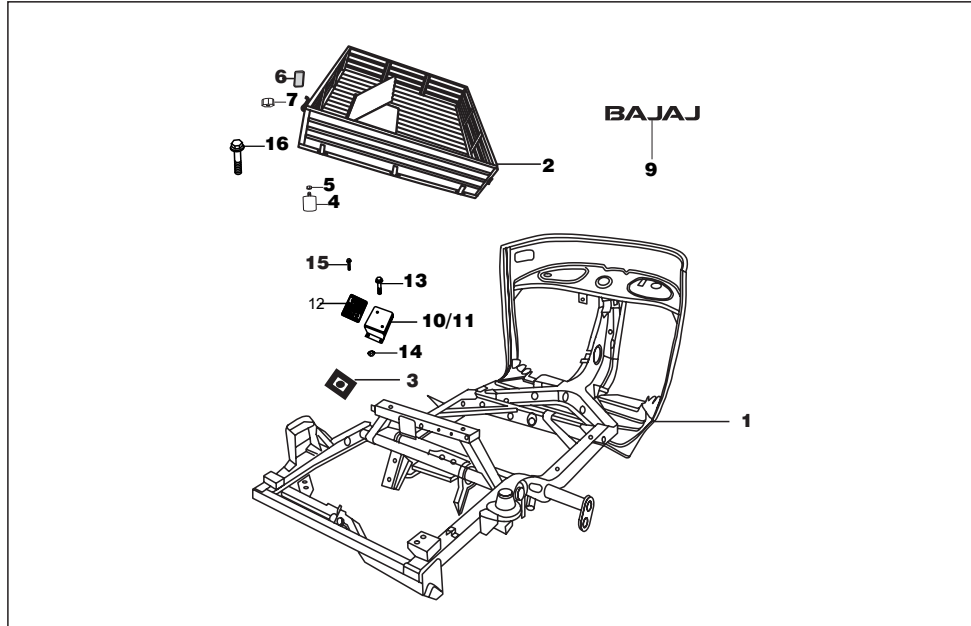
No.	Part No.	Description	Qty/veh	Remarks
1	AP 1610 48	Handle Bar Body	1	
2	22 1802 19	Steering lock plate	1	
3	39 1830 12	Spring washer	2	
4	39 0071 04	Hex head screw	2	
5	21 1802 07	Lining -Steering lock plate	2	
6	39 0192 10	Eyelet rivet	2	
7	39 1377 04	Hex. bolt with collar	1	
8	39 0201 11	Plain washer	2	
9	39 1829 12	Spring washer	1	
10	39 0296 15	Hex nut	1	
11	AB 1810 22	Lower plate assly	1	
12	AB 1810 23	Upper plate assembly	1	
13	39 2295 15	Flange nut	2	
14	21 1803 07	Knob	1	
15	39 0198 11	Plain washer	1	
16	21 1803 08	Spring	1	
17	AP 1610 47	Handle bar top cover	1	
18	39 2592 01	Screw	3	
19	39 2451 11	Plain Washer	3	



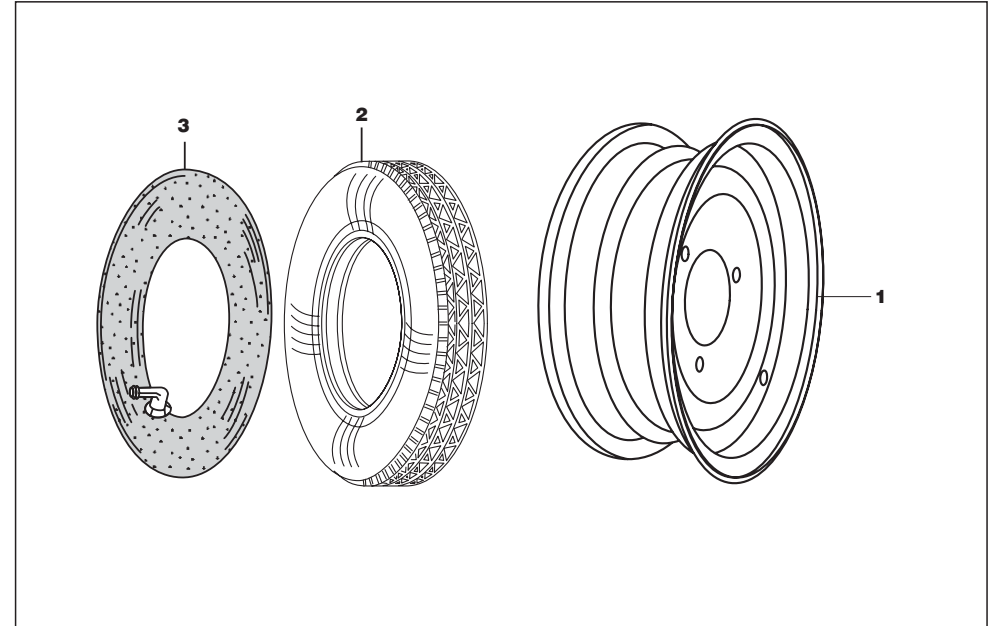
No.	Part No.	Description	Qty/veh	Remarks
1	BG 1510 01	Tube assembly gear control	1	
2	24 1911 00	Pulley gear control	1	
3	24 1910 98	Tube assly.comp.-throtl.	1	
4	24 1911 01	Pulley gas control	1	
5	CM 1910 49	Spring clip	2	For fitment of pulley control
6	06 1910 89	Hand grip	2	
7	AA 1910 32	Clutch lever	1	
7a	BG 1610 00	Clutch lever	1	
8	24 1911 05	Special screw	1	
9	01 1902 05	Spring washer	1	
10	03 1902 06	Plain washer	1	
11	39 0326 15	Nylock nut	1	
12	BA 1910 57	Ring gear indicator	1	
12a	BG 1510 00	Ring gear indicator	1	
13	LH C000 01	Spring clip	1	



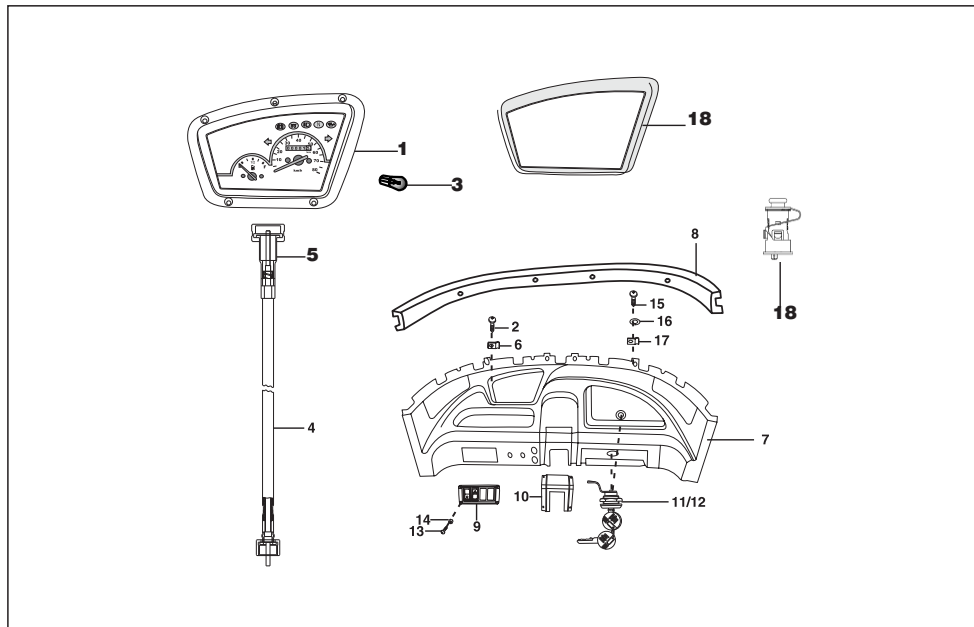
No.	Part No.	Description	Qty/veh	Remarks
1	AP 1610 38	Front Mudguard	1	
2	39 1552 04	Hexagon head Bolt	16	
3	39 1765 11	Plain Washer	8	
4	05 1612 56	Clip Nut-M6	8	
5	BG 2330 00	Bajaj Label	1	
6	BG 2312 01	Rear Mudguard	2	
7	39 1680 04	Flanged bolt	8	
8	AL 1612 26	Mudguard flap	2	
9	AL 1612 29	Strip	2	
10	39 0071 04	Screw	6	
11	39 2484 15	Nut flange	6	



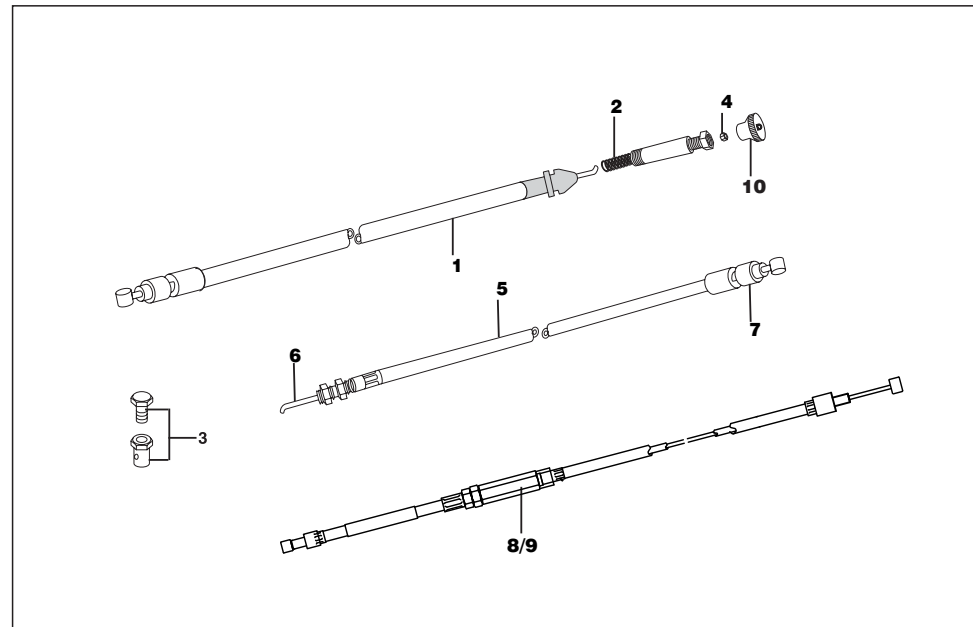
No.	Part No.	Description	Qty/veh	Remarks
1	BG 1110 47	Bare chassis complete	1	
2	BG 2210 00	Tray low deck	1	
3	AL 1613 92	Packing tray frame	4	
3a	AL 1610 69	Packing tray frame	6	
4	BG 1611 24	Rubber damper	2	
5	39 0690 15	Nyloc nut	2	
6	30 2010 69	Reflector reflex	2	
7	39 2484 15	Nyloc nut	2	
8	BG 2326 01	Lock set	1	N. I.
9	BG 2330 02	Bajaj Monogram	1	
10	24 1613 90	Heel rest brake	1	
11	BG 1130 00	Heel Rest LH	1	
12	AL 1511 68	Pad Heel rest	1	
13	39 1773 04	Flange bolt	8	
14	39 2484 15	Flange nut	8	
15	19 1611 51	Rivet push	8	
16	39 0390 04	Screw Hex	6	For Mounting Tray
16a	24 1902 24	Gromet	1	
16b	39 2508 23	Gromet cut	1	



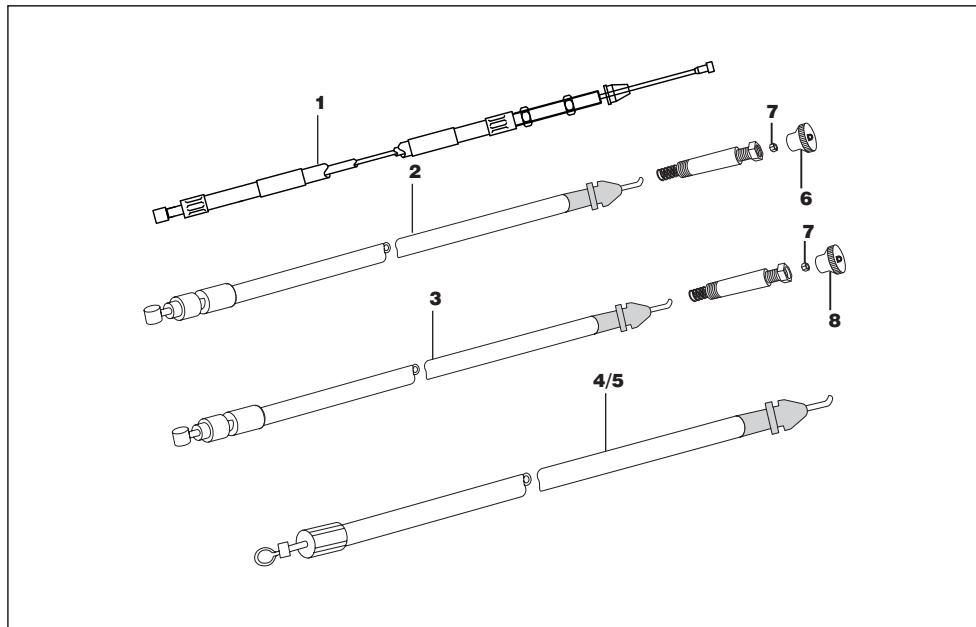
No.	Part No.	Description	Qty/veh	Remarks
1	24 1511 10	Wheel rim assly.	1	
2	22 1511 05	Tyre 4.00X8"	1	Not Serviceable
3	21 1503 06	Tube for tyre	1	Not Serviceable



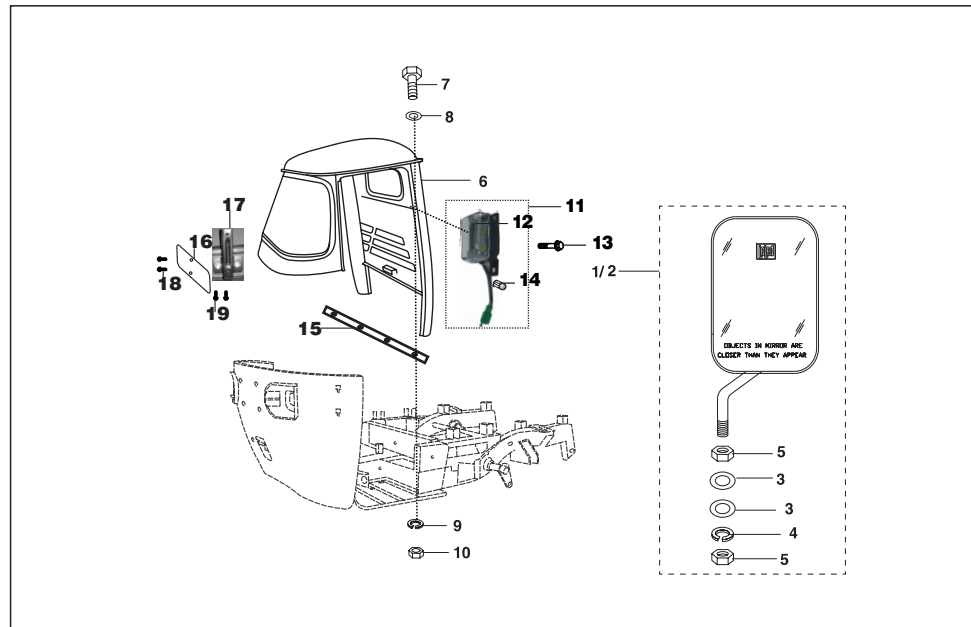
No.	Part No.	Description	Qty/veh	Remarks
1	AL 1910 50	Speedometer complete	1	
1	AI 1910 43	Speedometer complete	1	
2	AL 1910 28	Screw	3	
3	30 2010 84	Lamp 12V 3W	4	
4	BG 1612 10	Speedo cable	1	
5	AL 1910 20	Speedo cable inner	1	
5a	BG 1612 15	Speedo cable inner	1	(as per MK PE)
6	CE 1810 15	Clip Nut	15	
7	AL 1613 84	Dashboard assly plastic	1	
8	AL 1613 85	Upper Trim	1	
9	AL 1613 79	Switch cover	1	
10	AL 1613 81	Cover middle portion	1	
11	AL 1613 61	Lock tool box	1	With Key
12	AL 1613 62	Lock Stereo lid	1	
13	39 0663 01	Sloted ch head screw	4	
14	39 0291 15	Hexagon nut	4	
15	39 0012 01	Cheese head screw	16	
16	39 0242 11	Plain washer	26	For mtg. of Dash Board
17	35 1610 60	Clip nut	8	
18	AL 1910 29	Sealing ring	1	
19	AL 2011 00	Mobile charger	1	
19a	AL 1613 82	Lid glove box	1	
19b	BB 2010 50	Cluster instrument drive 1	1	



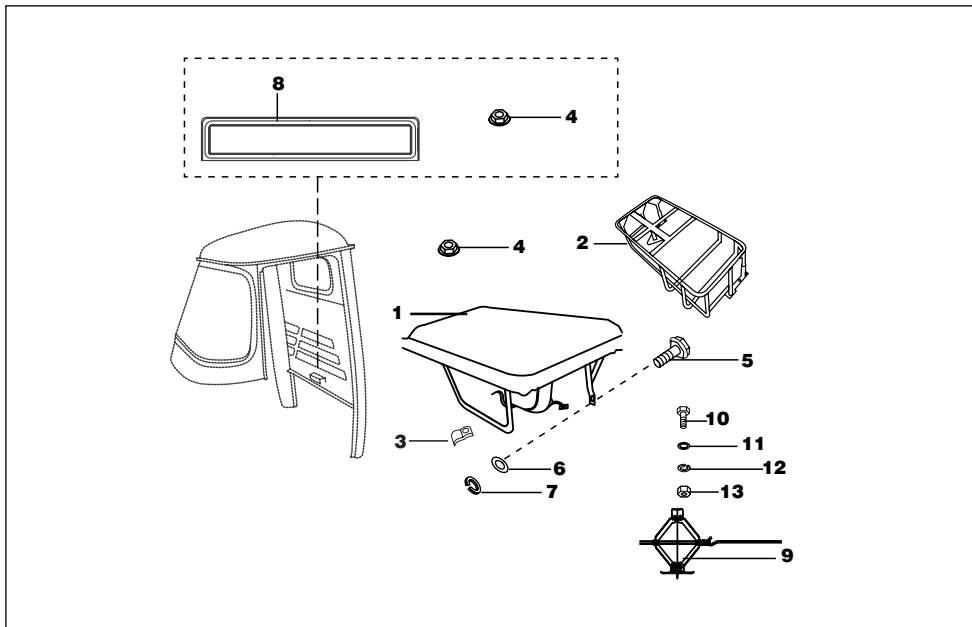
No.	Part No.	Description	Qty/veh	Remarks
1	AL 1910 38	Cable Assly Decomp.	1	
2	AL 1910 26	Release spring	1	
3	05 1910 46	Screw terminal assly	1	
4	39 0291 15	Hex nut	1	
5	BG 1612 01	Cable Accelerator Complete	1	
6	BG 16120 02	Inner cable Accelerator cable	1	
7	03 1902 28	Guide for cable	1	
8	BG 1612 05	Gear cable com. White	1	
9	BG 1612 04	Gear cable comp-Black	1	
10	AL 1910 39	Knob	1	



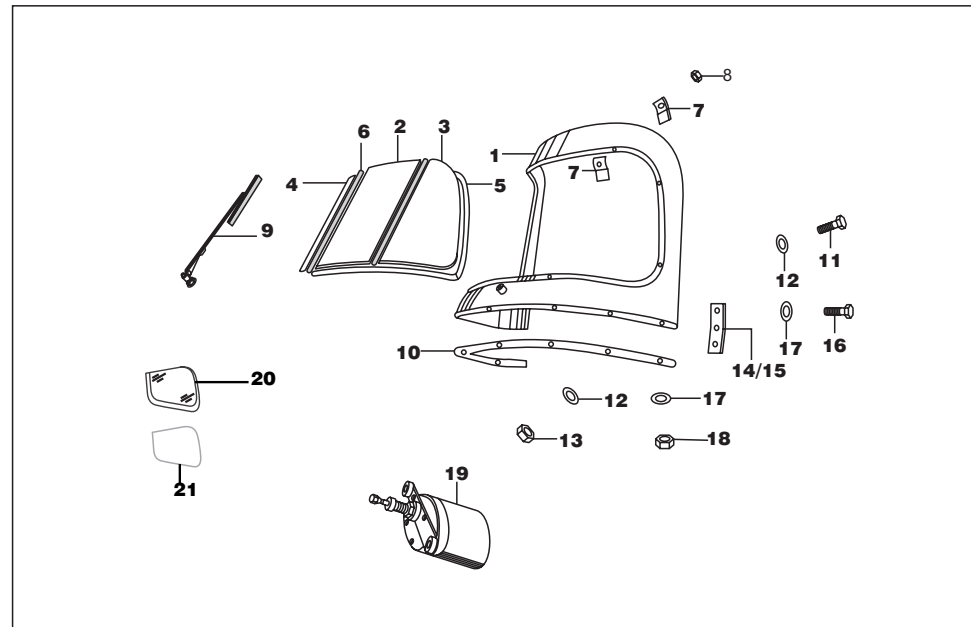
No.	Part No.	Description	Qty/veh	Remarks
1	BG 1612 09	Cable clutch		1
2	BG 1612 08	Stop cable	1	
3	BG 1612 07	Reverse cable	1	
4	BG 1318 02	Cable assly hand brake front	1	
5	24 1510 59	Cable assly hand brake Rear LH	1	
5a	24 1510 60	Cable assly hand brake Rear RH	1	
6	AL 1910 40	Knob - Stop cable	1	
7	39 0291 15	Nut	1	
8	AL 1910 41	Knob- Reverse cable		



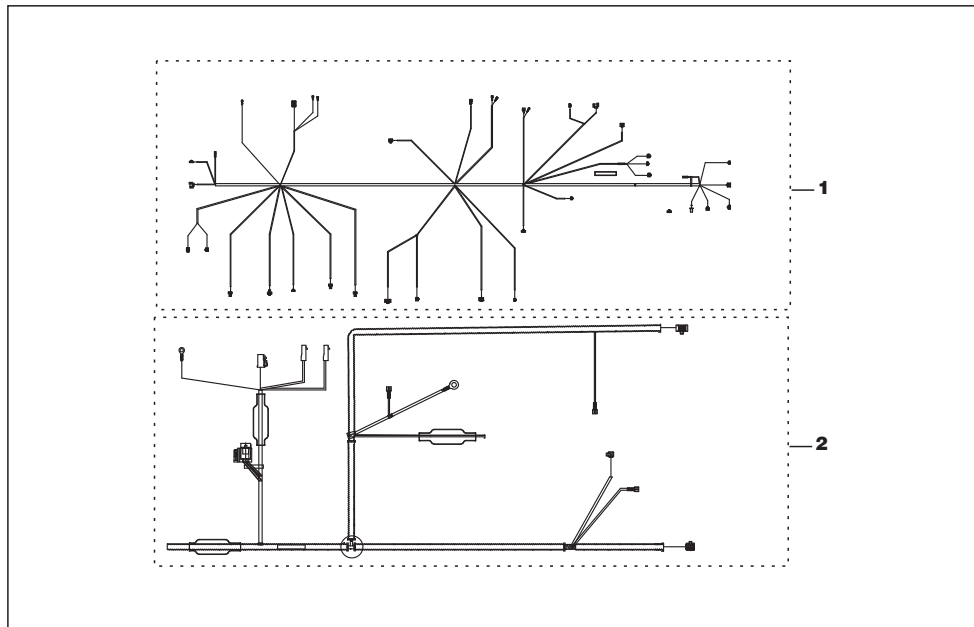
No.	Part No.	Description	Qty/veh	Remarks
1	BB 2210 03	Mirror assly. RH	1	
2	BB 2210 02	Mirror assly. LH	1	
3	21 1704 16	Plain washer	4	
4	39 1829 12	Spring washer	2	
5	39 0302 15	Hex nut	4	
6	BG 2010 00	Driver cabin assly.	1	
7	39 1069 01	Hex head screw	20	
8	39 0711 11	Plain washer	40	
9	39 0263 12	Spring washer	20	
10	39 0292 15	Hex nut	20	
11	AP 2010 58	Cabin light assembly	1	
12	AL 2010 88	Lens for cabin light	1	
13	39 2208 04	Flange bolt	2	
14	AL 2010 83	Lamp 12V (capless type)	1	
15	AL 2410 37	Packing Upper cabin	1	
16	AL 1611 52	Front number plate	1	
17	22 1612 38	Front number plate bkt.	1	
18	39 0078 04	Flange bolt	2	for no. plate
19	39 1680 04	Flange bolt	2	for bracket



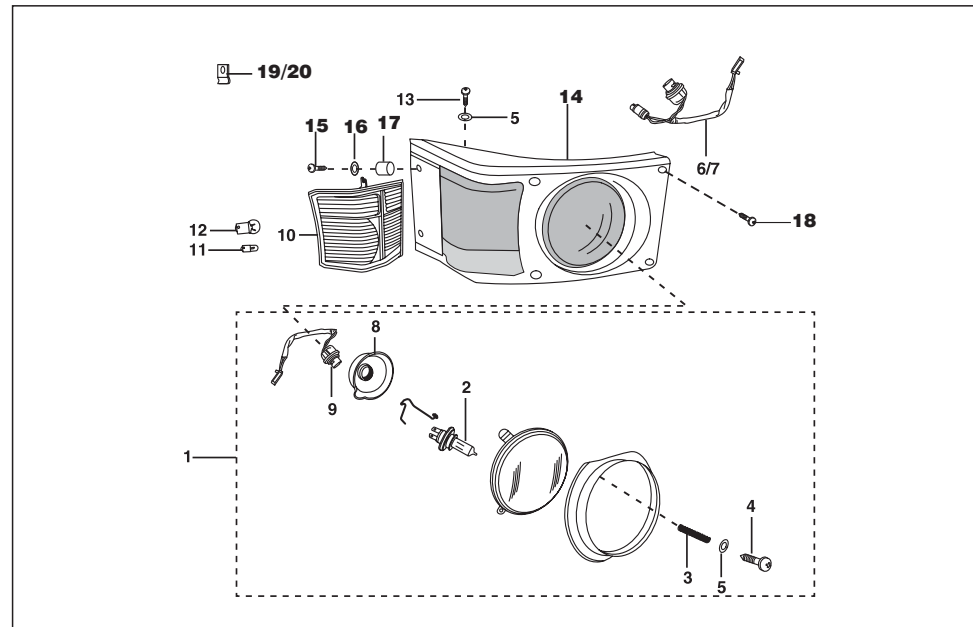
No.	Part No.	Description	Qty/veh	Remarks
1	BB 2110 12	Driver seat	1	
1a	BG 1910 00	Seat Driver Complete	1	
2	BG 1910 01	Driver seat Frame	1	
3	24 2311 46	Clip	2	
4	39 1972 15	Flanged nut	9	
5	39 1946 04	Bolt Flange	2	
6	39 0230 11	Plain washer	4	
7	39 0265 12	Spring washer	2	
8	BG 1910 02	Driver backrest	-	
8a	BH 1910 19	Backrest Driver	1	
9	BB 2210 04	Jack assly.	1	
10	39 0119 04	Bolt hex head	2	
11	39 1224 11	Plain washer	2	
12	39 0788 12	Spring washer	2	
13	39 0294 15	Hex nut	2	



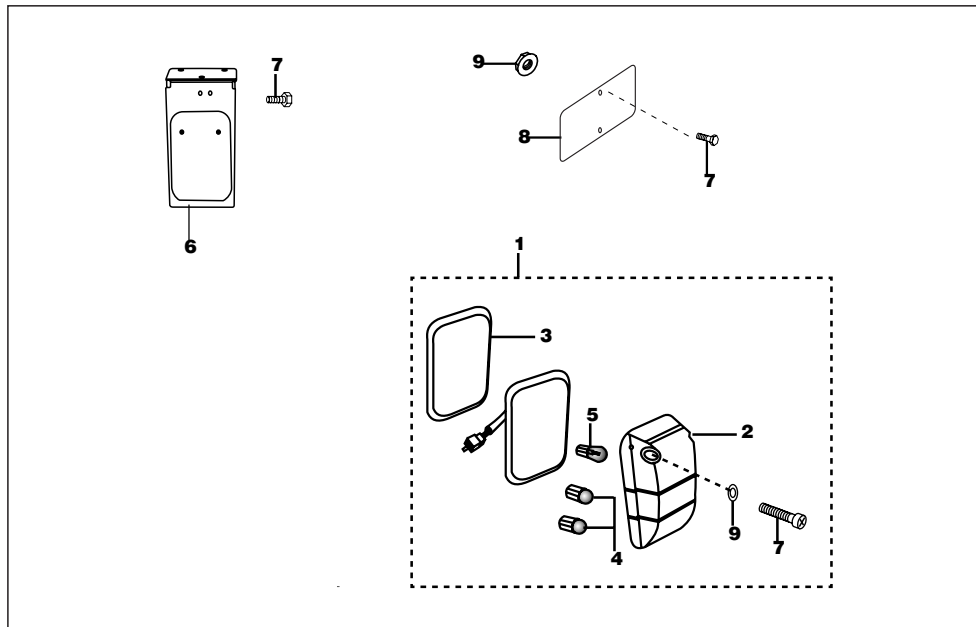
No.	Part No.	Description	Qty/veh	Remarks
1	BG 2010 01	Wind shield assly	1	
2	22 2312 58	Central glass	1	
3	22 2311 41	Side glass LH	1	
4	22 2311 40	Side glass RH	1	
5	22 2311 42	Rubber beading	1	
6	22 2306 56	Verticle strip	2	
7	22 2306 25	Plate -II	8	
8	39 0287 15	Hexagon nut	8	
9	22 2306 35	Wiper assly	1	
10	AL 2410 33	Packing for shield & wind shield	1	
10a	AL 2412 85	Packing Shield And W Shield	1	
11	39 0085 04	Bolt	9	
12	39 0258 11	Plain washer	18	
13	39 2484 15	Flange nut	9	
14	AL 2411 84	Joint plate LH	1	
15	AL 2411 85	Joint plate RH	1	
16	39 0100 04	Bolt hex head	4	
17	39 1224 11	Plain Washer	8	
18	39 1373 15	Nyloc Nut	4	
19	AA 2011 52	Wiper Motor	1	
20	22 2707 09	Glass rear	1	
21	AL 2410 65	Beading for rear glass	1	



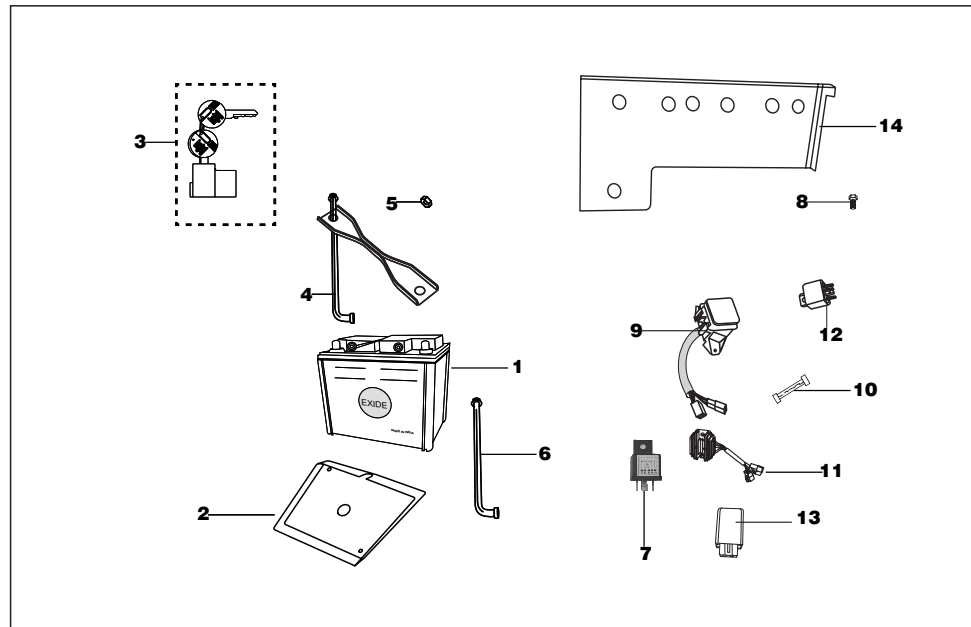
No.	Part No.	Description	Qty/veh	Remarks
1	BG 4022 12	Wiring harness front	1	
2	BG 4022 13	Wiring harness chassis	1	
3	BG 4022 11	Cable Assembly Battery	1	N. I.
3a	24 2014 08	Wiper motor(pigtail & coupler)	1	



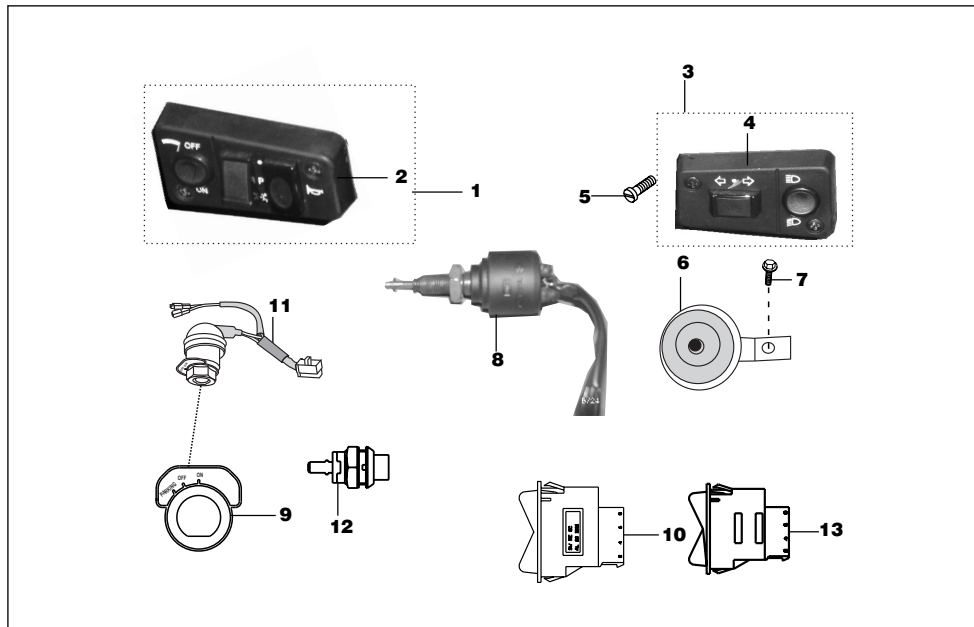
No.	Part No.	Description	Qty/veh	Remarks
1	AL 2010 65	H/L Assly. LH	1	
1a	AL 2010 66	H/L Assly. RH	1	
2	CI 2010 23	Lamp 12V-35/35w-HS1	2	
3	AL 2010 32	Spring - Head lamp Mtg	6	
4	39 0758 01	Screw pan cross-M5	6	
5	39 1839 11	Plain washer	14	
6	AL 2010 43	Cable assly.-Front Light LH	1	
7	AL 2010 44	Cable assly.-Front Light RH	1	
8	AP 1210 66	Rubber cap	2	
9	CL 2010 22	Cable assly.	2	
10	AL 2010 51	Ind assly. Front LH/ Lamp	1	
10a	AL 2010 17	Ind assly. Front RH/ Lamp	1	
11	06 2010 82	Lamp 12V 5W	2	
12	06 2010 83	Lamp 12V 10W	2	
13	39 0921 01	Screw pan cross	8	
14	BG 1138 02	Head lamp-Blinker Hsg LH	1	
14a	BG 1138 03	Head lamp-Blinker Hsg RH	1	
15	39 1698 01	Screw pan	4	
16	39 0242 11	Plain washer	8	
17	AL 1611 91	Spacer	4	
18	39 0830 01	Screw Pan-M5	4	
19	35 1610 60	Clip Nut	12	
20	AL 1611 80	NUT - CLIP (M4 X 0.7P)	4	



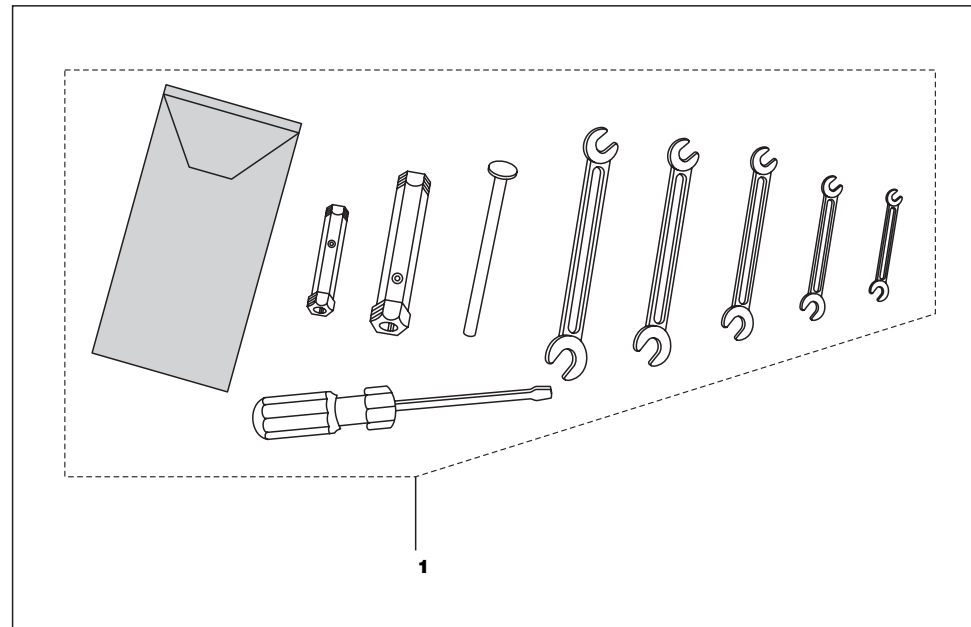
No.	Part No.	Description	Qty/veh	Remarks
1	AA 2011 57	Tail light LH with Lamp	1	
1a	AA 2011 60	Tail light RH with lamp	1	
2	AA 2011 61	Lens tail lamp	2	
3	AC 2010 21	Packing for tail light LH & RH	2	
4	06 2010 83	Lamp 12v low	4	
5	30 2010 06	Lamp 12V 21/5W	2	
6	BB 2312 67	Mounting bracket tail light RH	1	
6a	BB 2312 66	Mounting bracket tail light LH	1	
7	39 1680 04	Flange bolt	6	
8	AL 1611 52	No. Plate	1	
9	39 0817 15	Flange nut	4	



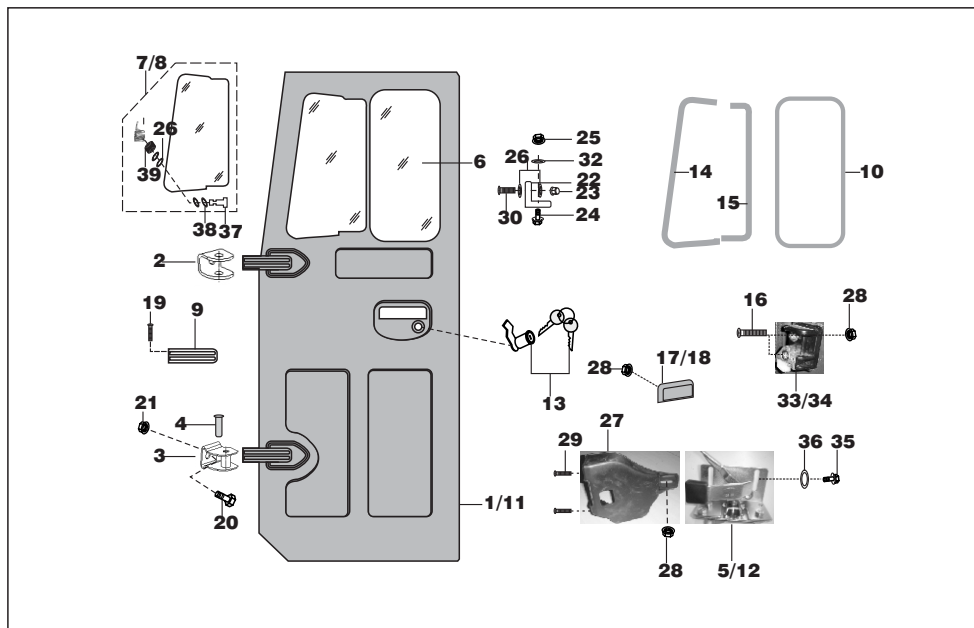
No.	Part No.	Description	Qty/veh	Remarks
1	BA 2010 01	Battery	1	
2	BG 1138 05	Battery base tray	1	
3	BB 2010 30	Lock battery	1	
4	AN 1610 74	Clamp Assly	1	
5	39 0817 15	Nut	2	
6	AN 1610 75	Tie rod	1	
7	BB 2010 42	Control unit starter interlock	1	
8	39 2208 04	Flange bolt	6	
9	AL 2010 82	Fuse box assembly	1	
10	AK 2010 12	Fuse blade type 10 Amp	6	
11	AL 2010 38	Regulator	1	
12	31 2011 04	D.C. Flasher	1	
12a	AB 2010 76	Relay flasher (HAZARD)	1	
13	BA 2010 17	Starter relay	1	
14	BG 4032 03	Plate Electrical unit Front	1	



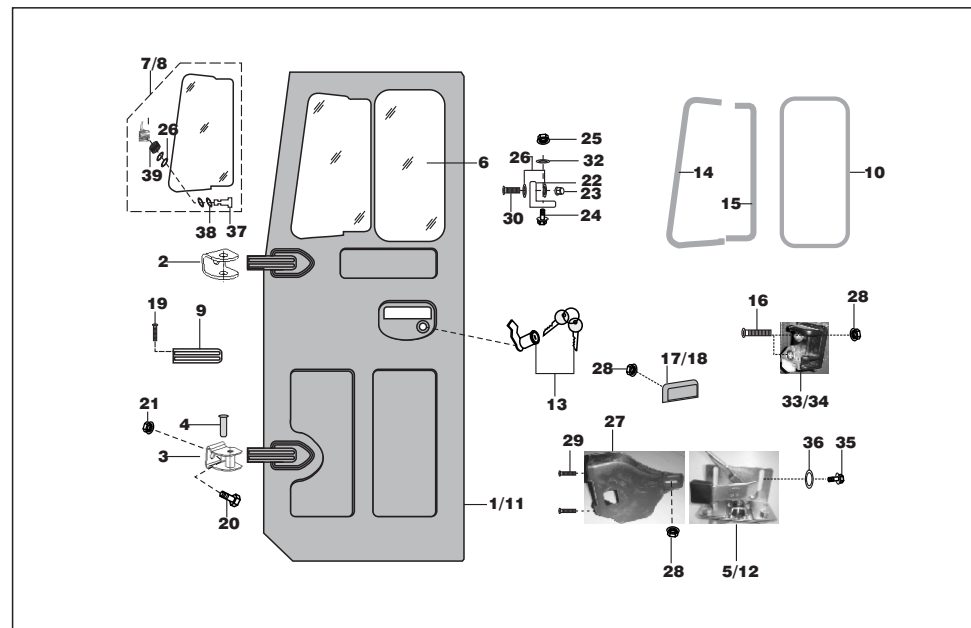
No.	Part No.	Description	Qty/veh	Remarks
1	AL 2010 61	Control Switch RH	1	
2	AL 2010 87	Switch Cover RH	1	
3	AL 2010 60	Control Switch LH	1	
4	AL 2010 86	Switch Cover LH	1	
5	AL 2010 62	Slotted Ch. Hd. Screw	4	
6	AP 2010 93	Horn	1	
6a	AP 2010 99	Horn DC	1	
7	39 1557 04	Flange bold	1	
7a	AL 1612 08	Cover for horn	1	
7b	BG 1138 08	Box for horn & number plate mtg	1	
8	AF 2010 94	Brake switch	1	
9	AL 2010 78	Label (Parking-OFF-ON)	1	
10	AL 2010 31	Switch for stereo Connection	1	
11	BG 4014 01	Ignition ON-OFF Parking Switch	1	
11	Ap 2010 36	ignition cum parking switch(4pin coupler	1	
12	AF 2011 46	Start button	1	
13	AB 2010 77	Switch hazard warning	1	
13a	AL 2010 12	Relay head light	1	
13b	BG 4032 06	Assy combine control unit	1	



No.	Part No.	Description	Qty/veh	Remarks
1	BG 2310 00	Tool kit complete	1	
	DJ 2210 14	Screw Driver	1	
	24 2210 12	Spanner 7X8	1	
	24 2210 24	Spanner 13X14	1	
	24 2210 28	Plier Tool	1	
	BB 2210 06	Wheel Wrench	1	
	BB 2210 07	Bar Tommy	1	
	24 2210 26	Spanner tube	1	
	05 2202 06	Tommy Bar	1	
	DF 2210 48	Spanner Box 16X14	1	
	24 2210 21	Spanner flat	1	



No.	Part No.	Description	Qty/veh	Remarks
1	AL 2412 56	Door assly LH	1	
2	AL 2412 57	Door hinge link windshield	2	
3	AL 2411 43	Door hinge link scudo	2	
4	AL 2411 44	Door hinge pin	4	
5	AL 2412 18	Door lock assl. LH	1	
6	AL 2412 08	Fixed window glass	1	
7	AL 2412 81	Swelling glass assly RH	1	
8	AL 2412 82	Swelling glass assly LH	1	
8a	AL 2412 09	Glass Swivelling	2	
9	AL 2411 86	Strip door limiting	1	
10	AL 2411 98	Beading for fixed glass	1	
11	AL 2412 59	Door assly RH	1	
12	AL 2412 19	Door lock assy RH	1	
13	AL 1810 32	Lock barral LH	1	
13a	AL 2412 71	Lock barral LH	1	
14	AL 2411 99	Beading for swelling glass	1	Front LH
14a	AL 2412 12	Beading for swelling glass	1	Front RH
15	AL 2412 00	Beading for swelling glass	2	Rear
16	39 0407 01	Screw	2	
17	AL 2412 53	Handle assly. LH	1	
18	AL 2412 55	Handle assly. RH	1	
19	39 1348 01	Screw	8	
20	39 2706 04	Hex bolts	4	



No.	Part No.	Description	Qty/veh	Remarks
21	39 2479 15	Flange nuts	4	
22	AL 2411 88	Bracket	4	
23	39 0963 15	Dom nut	4	
24	39 0898 04	Flange bolt	4	
25	39 0292 15	Flange nut	4	
26	AL 2411 90	Nylon washer	12	
27	AL 2412 01	Cover door lock LH	1	
27a	AL 2412 02	Cover door lock RH	1	
28	39 1581 15	Flange nut	10	
29	39 0761 01	Screw	4	
30	39 1781 01	Screw	4	
31	AL 2411 97	Beading Door	2	N.I.
32	AL 2411 93	Washer	8	
33	AL 2412 16	Block assly comp. LH	1	
34	AL 2412 17	Block assly comp. RH	1	
35	39 1943 04	Flange bolt	4	
36	39 0804 11	Plain Washer	4	
37	AL 2411 92	Bolt	2	
38	39 1508 11	Plain washer	4	
39	AL 2411 89	Spring	2	

Sr. No.	Kit Part No.	Kit Description	Consisting of Following Parts		
			Part No.	Description	Qty./Kit
1	36152201	Wheel cylinder kit	22150441	Packing	2
			22151014	Packing wheel cylinder	2
2	36152202	Master cylinder kit	21150404	Inner valve packing	1
			21150405	Outer valve packing	1
			21150408	Packing	1
			21150457	Oil seal	1
3	36152203	Liner set	22150239	Liner	4
			39018209	Rivet - flat head	32
4	36172201	Front wheel bearing kit	01100342	Ball bearing	1
			01101009	Bearing	1
			22170115	Oil seal	1
			22170117	spacer	1
5	36221603	Central support kit	22161139	Cone bush	1
			22161141	Washer for central support bracket	1
			22161142	Buffer cone bush	1
			22161143	Ring nut left hand	1
6	36241702	Trunion mounting kit	22161144	Ring nut right hand	1
			24170205	Front suspension spring	1
			24170206	Upper plate assly	1
			24170208	Lower plate	1
7	36241306	RE bevel / satellite gear kit	39026512	Spring washer	1
			39069415	Hex nut	1
			22131018	Satellite gear	2
			24131009	Bevel gear	2
8	36221001	Oil seal kit	21100314	Oil seal	2
			22100312	oil seal	1
			22101069	Oil seal	1
9	AB151092	Major kit(Front wheel cylinder)	AB151097	Piston	2
			AB151099	Wheel cylinder seal	2
			AB151098	Spring	1
			AB151078	Wheel cylinder boot	2
			AB151100	Bleeder cap	1
			AB151079	Bleeder screw	1
AB151093	Minor kit(Front wheel cylinder)	AB151099	Wheel cylinder seal	2	
		AB151098	Spring	1	
		AB151078	Wheel cylinder boot	2	
10	AB151094	Major kit(Front wheel cylinder)	AB151100	Piston	2
			AB151102	Wheel cylinder seal	2
			AB151098	Spring	1
			AB151078	Wheel cylinder boot	2
			AB151079	Bleeder screw	1
AB151095	Minor kit(Front wheel)	AB151102	Wheel cylinder seal	2	
		AB151098	Spring	1	
		AB151078	Wheel cylinder boot	2	

Part No.	Figure No.	Page No.	Part No.	Figure No.	Page No.